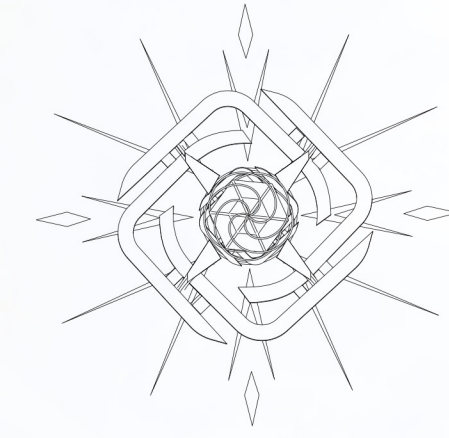


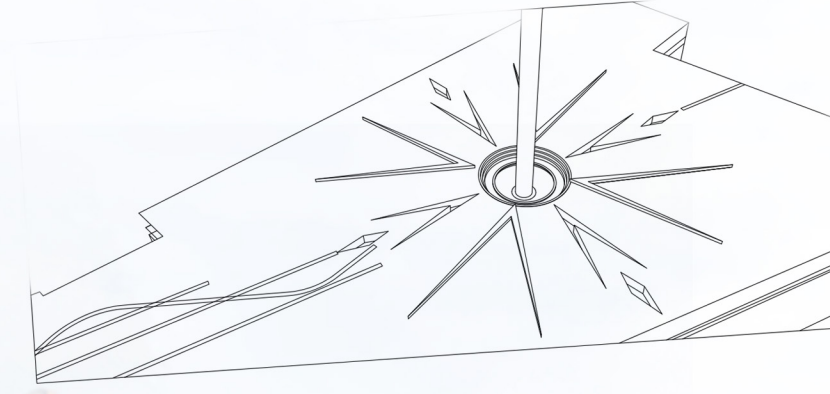
Diamond in green ribbons

The building is like a diamond that glows in between the vertical garden and the marvelous in between waterfalls giving the user an experience like moving in different parts of heaven in both day and night time

THE SITE CONCEPT



I thought of the building to be like a diamond star that glows in the site of areana green i thought of it to become the source of light in the site



The light transferred from the diamond form moving through the water fall giving it marvelous effect the it hits the ground like a bomb spreading light in site of areana green gives this star like effect



The main landmark

light and water spreading through the site

Another glowing fountain adds more beauty to the site

SITE PLAN

The landmark is located in the east side of areana green as i wanted the building to be seen from the high way and also i found it had more space for the spreading of the light and its effect in continuous way and also many of the events that take place in the east side can now take place in more marvelous space and they can also see different experience in each level

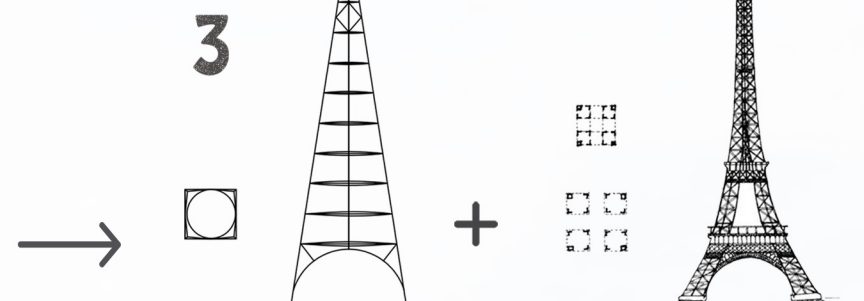
A- Concept Inspirations :



Both of Sanjose light tower and Eiffel Tower are consider The light of the city and adding marvelous beauty to it

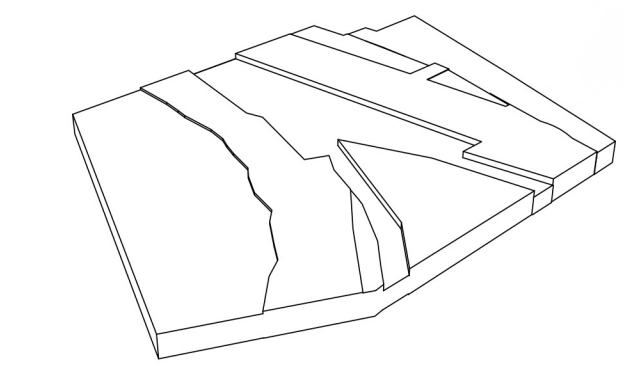


Both of them introduces the modern technology the technical innovation in the city building civic pride and increase global recognition of the city

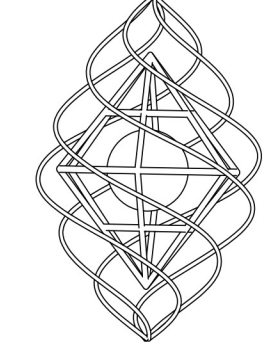


Both of them have the four supporting pillars to be aligned to the points of the compass connect them with different platforms

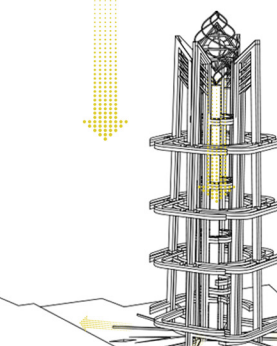
B- Concept :



By Seeing the site Areana green garden with its natural beauty it was hard to a design a form to this space

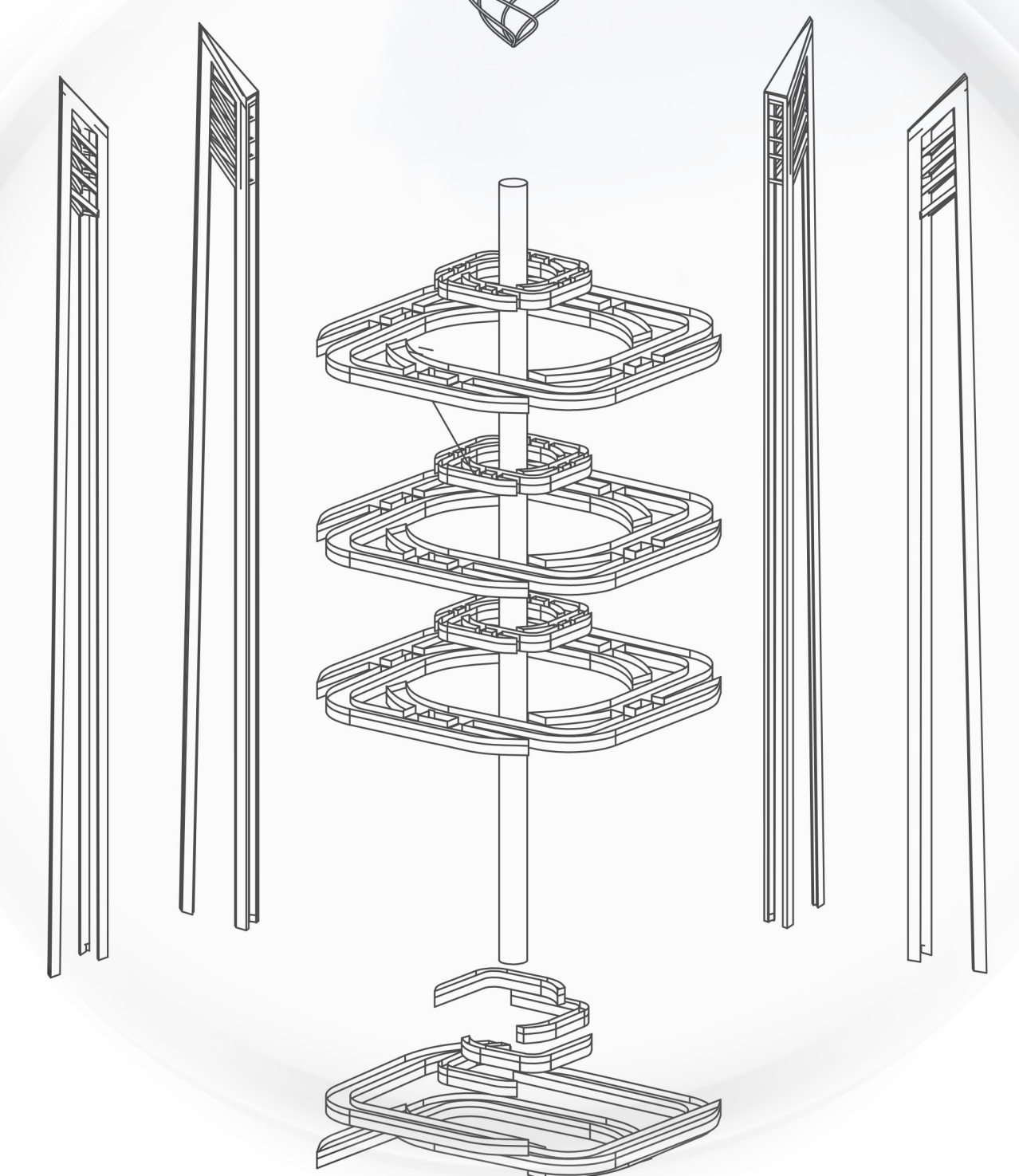
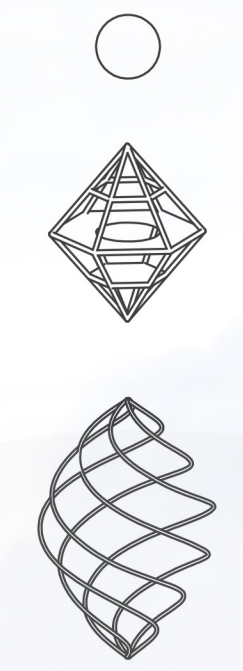


A Diamond modern form that illuminated to be the source of light in my design



The form :

The form of landmark consists of sphere contain greenery and a glowing diamond with revolving turbine all of this carried on 4 pillars connected by green bridges on different levels and with a layered green forest in the main 3 or 4 levels



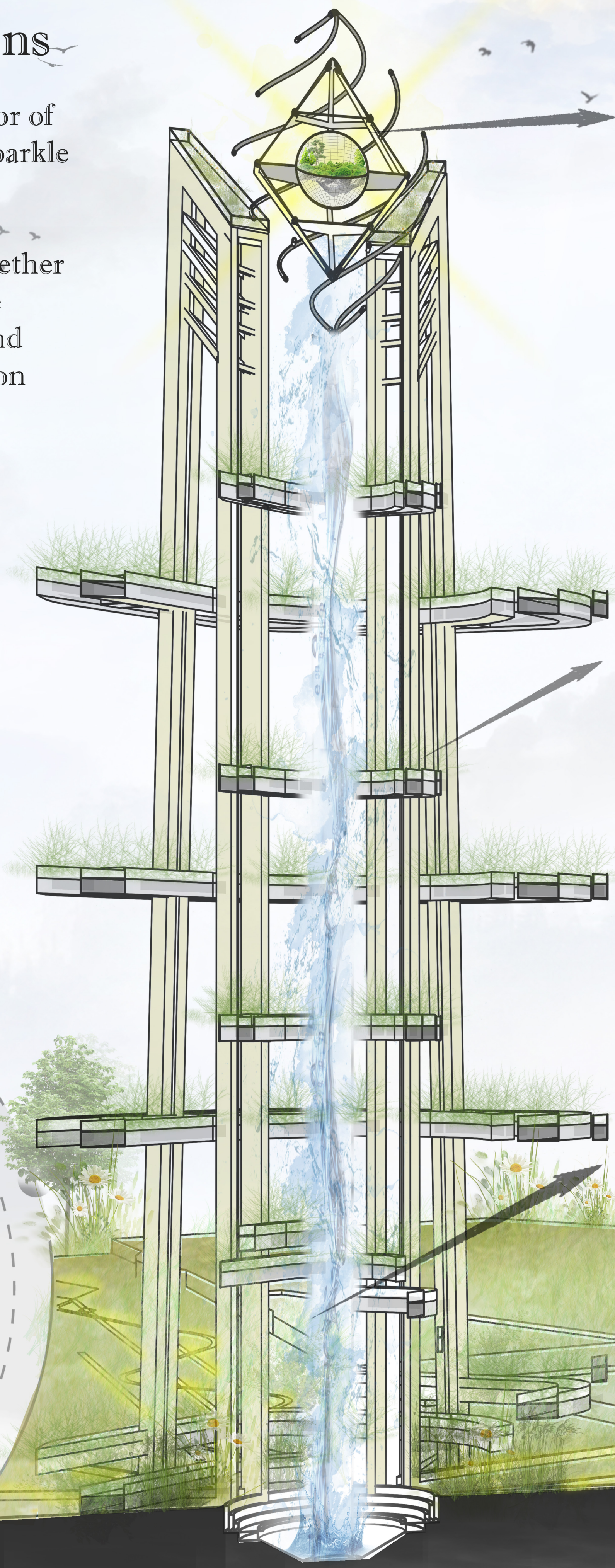
The site and the building mixed together the greenery of areana green extended up to the tower and its bridges while the lighting of the diamond goes down to the site through the huge water fall and extended through the greenery of the site



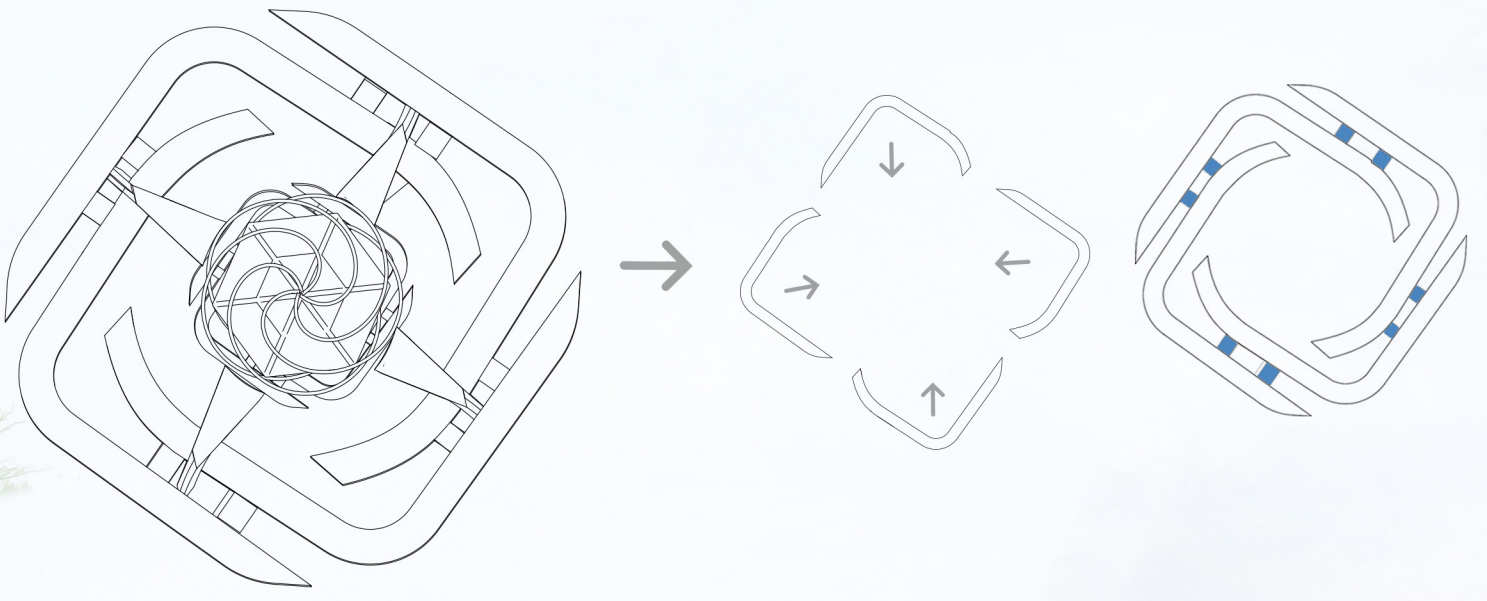
Diamond in green ribbons

The abstract 3d section shows the interior of the 180 feet heaven tower with a huge sparkle diamond and a lighted waterfall

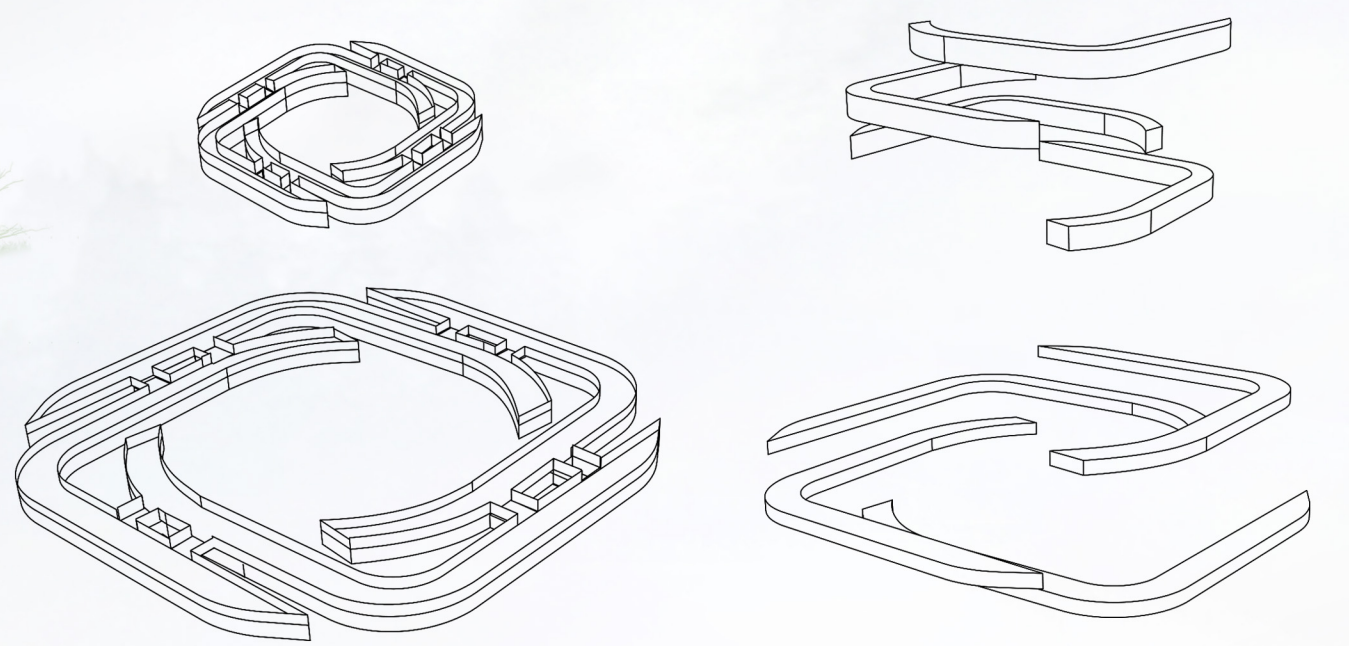
Hanged on 4 main pillars connected together with bridges of different sizes allowing the vertical view between different layers and also allows the natural light and ventilation



The main form of the building located on the upper part of it consists of 3 main parts which are 1- the sphere in the middle containing huge greenery 2- the glowing diamond surrounding the sphere containing the main restaurant with a spectacular view overlooking the silicon valley 3- the revolving form turbines that hold the diamond in it and also with its motion it generates energy to be used in the building

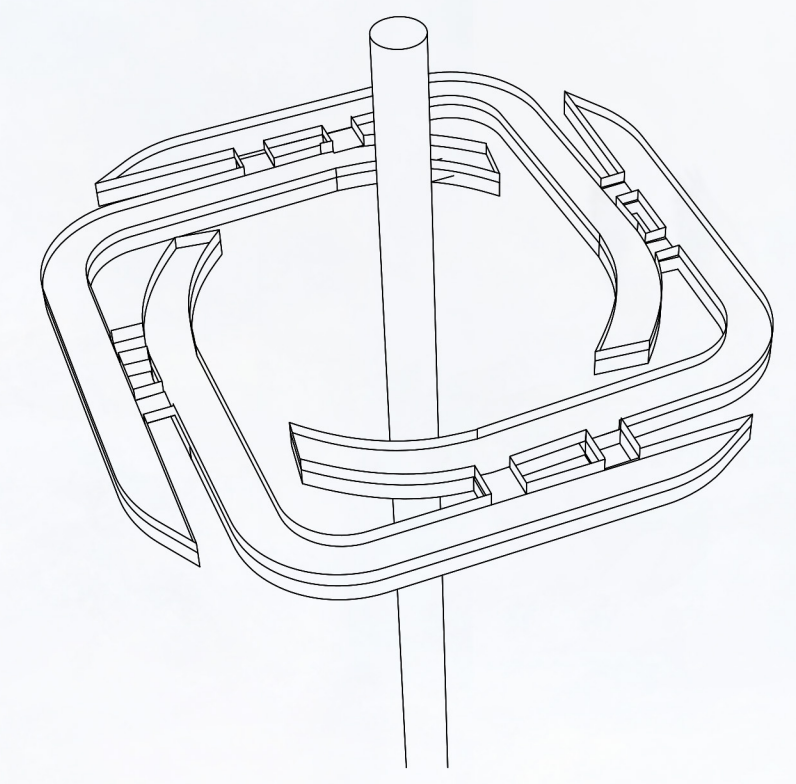


The 4 main pillars are connected together by 4 arrow bridges that shrink to make a continuous form with a circle-like gap inside and these 4 bridges connected together by smaller ones make a semi-opened 1 bridge connected 4 pillars

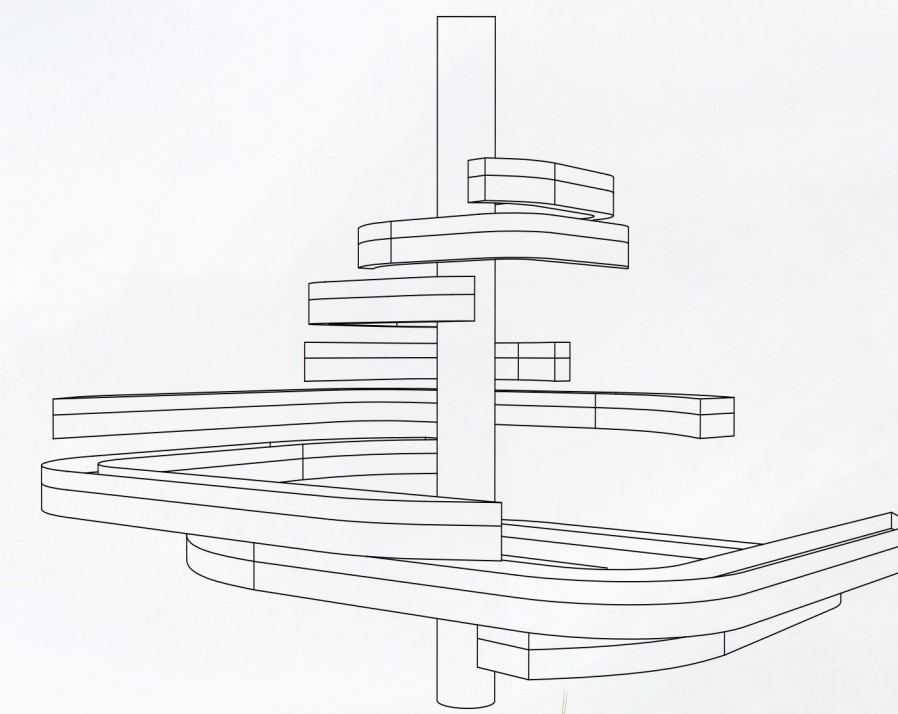


The four arrows that are connected to make the bridges with different sizes in the lower level are exploded to make each part on a different level and be planted to make this lower part of the tower to be a vertical garden

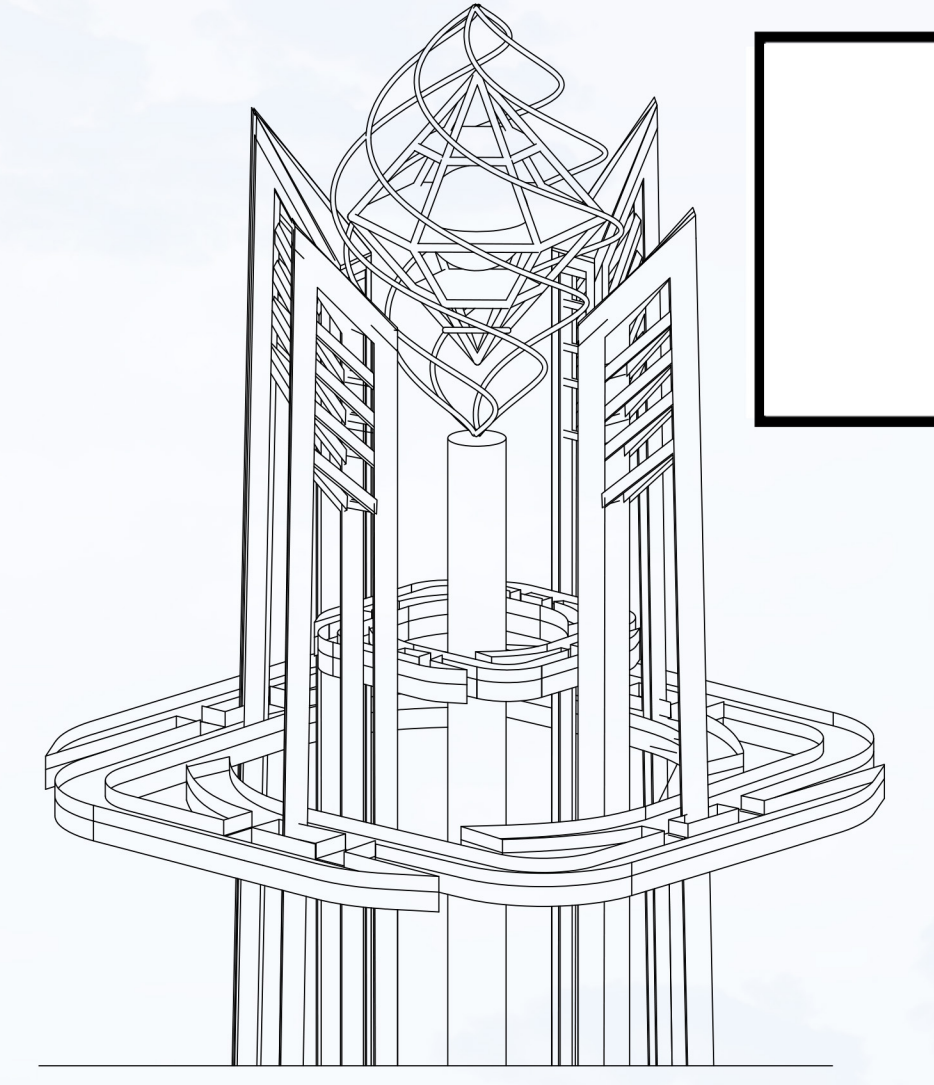
3D shot and 3D section show the interior of this main form of the building that is seen from far away and also adds light and energy to the site of arena green



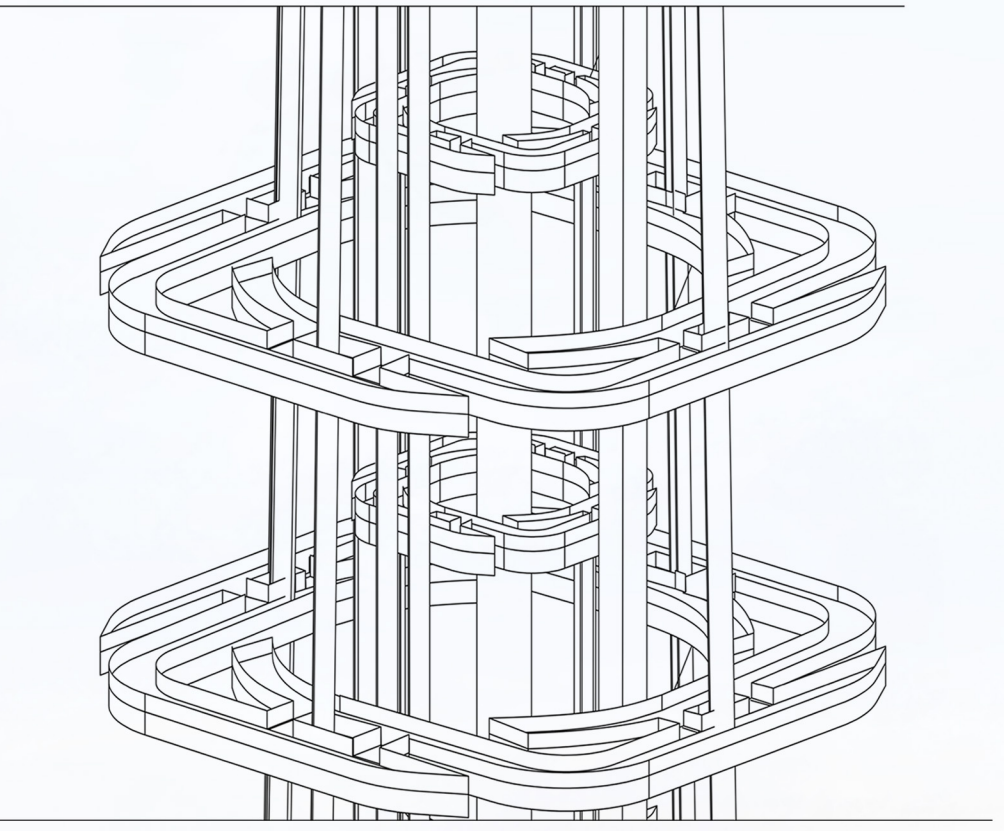
This semi-opened bridge with a circular gap in the center that allows the huge glowing waterfall to pass through and also allows the vertical sight between the different levels



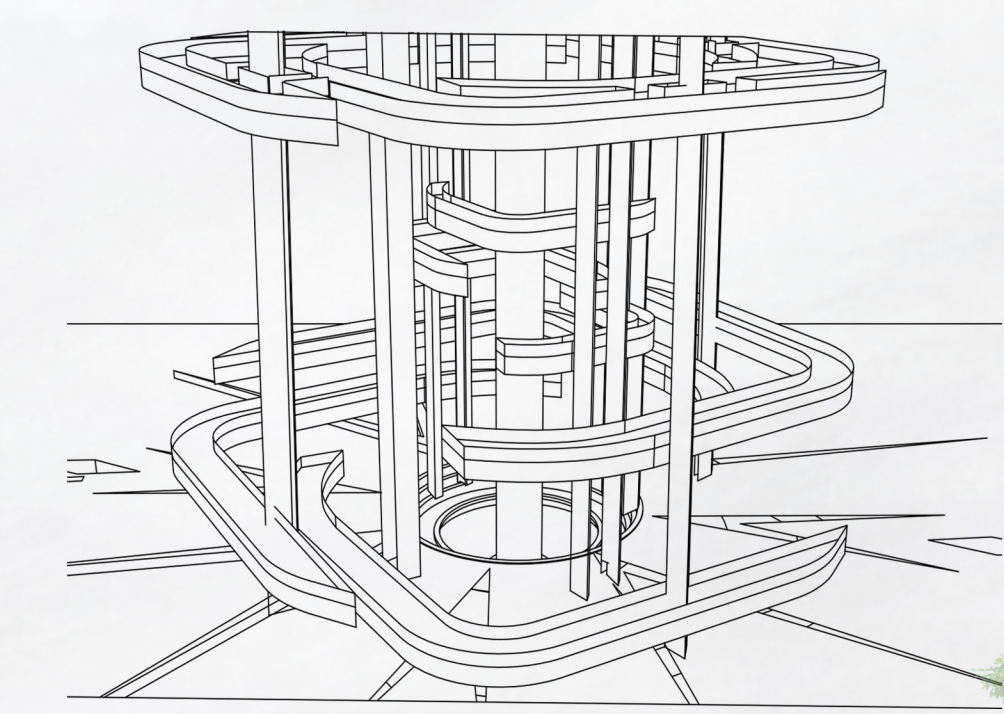
By exploding the bridges and placing on different levels gives this form of revolving forest around the glowing waterfall



A 3D shot of the whole upper part the green sphere in glowing diamond in revolving turbine carried on the main 4 pillars



These bridges sometimes shrink to be placed inside these 4 pillars and sometimes enlarge to surround them with different sizes allowing vertical sight connection and natural sunlight and ventilation



This is the 3D shot of the full view of this lower part that consists of the main fountain surrounded by the revolving forest and the 4 pillars and glowing light in the site

NET ZERO ENERGY

- Energy by motion** → Main source of electric energy generated by huge wind turbine around the diamond
- Energy by solar panels** → Solar panels shade at the roof restaurant
- Energy by waterfalls** → Waterfall generates energy by its motion
- generator** → generator to generate energy to be used in water motor in the water to push water up again
- Motor** → Motor
- Greenery** → Plant all the handrails of the bridges make it an environmentally friendly Green building Renewable energy Sustainability Green cleaning
- The simple structure semi-opened allows the natural ventilation and sun light and also the greenery everywhere makes it the building a vertical garden
- Layered greenery** → By extending the greenery of arena garden inside the building and all through all its layers and the huge lighted waterfall in the center makes it look like a piece of heaven