

Luminaire Retrofit Downlight



Project:	
Location:	
Cat.No:	
Type:	
Lamps:	Qty:
Notes:	

Product offering

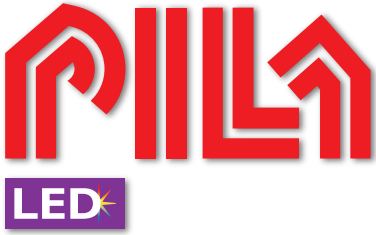
Catalog Code	Description	UPC Code	Qty. per SKU	Case Qty. (SKU/case)	Pallet Qty (SKU/pallet)
PILARETR4R30K	PILA RFit 4" Rd 600lm 80 30K 120V DIM 6-Pack	046677600068	6	4	48
PILARETR56R30K	PILA RFit 5/6" Rd 650lm 80 30K 120V DIM 6-Pack	046677600075	6	4	32

Technical specifications

Nominal power	4": 7.5W; 6": 7.5W	Electronic power supply	RoHS compliant.* Class 2 power unit for use in dry and damp locations.
Nominal lumens	4": 600lm; 6": 650lm	Dimming	Compatible for ELV/TRIAC (120V) dimmers. Philips SR150LED120 TRIAC (100-1%) Leviton IPI06 TRIAC (100%-1%) Leviton 6615P ELV (100%-5%) Lutron DVELV-300P ELV(100%-1%) Lutron NLV1000 TRIAC (100-1%) Lutron PD-6WCL Wireless (100-1%)
Input voltage	120VAC	Safety class	UL classified
CCT	4": 3000K 6": 3000K	IP rating	UL02 – Damp location
CRI	80	Compliance	cULus listed (UL 1598) for damp locations (covered ceiling only). IC rated for direct contact with thermal insulation. AirSeal for minimal air leakage.
Power connection	Trim features quick connect plug installed as standard. Trim ships with a medium base socket adapter whip for installation into incandescent housings with medium base sockets.	Warranty	3-year limited warranty
Material and finishing	Flange: One piece self flange spun aluminum. White painted. Lens: High transmittance lens allowing for smooth, comfortable light pattern.		
Weights	4": 0.45lbs.; 6": 0.72lbs.		
Friction blades/Torsion springs	Stainless steel		

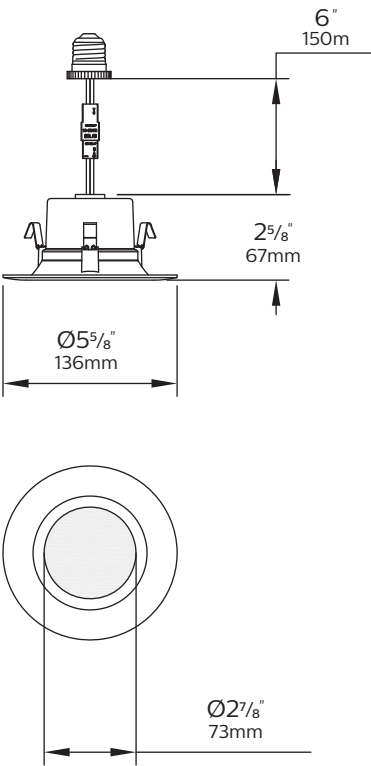
* Restrictions on Hazardous Substances (RoHS) is a European directive (2002/95/EC) designed to limit the content of 6 substances [lead, mercury, cadmium, hexavalent chromium, polybrominated biphenyls (PBB), and polybrominated diphenyl ethers (PBDE)] in electrical and electronic products. For products used in North America compliance to RoHS is voluntary and self-certified.



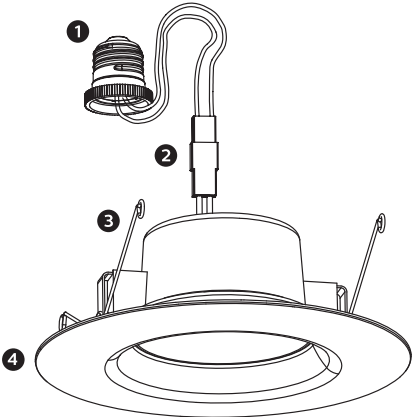
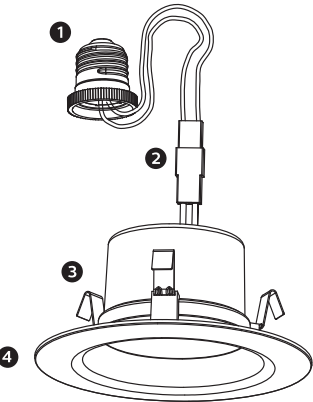
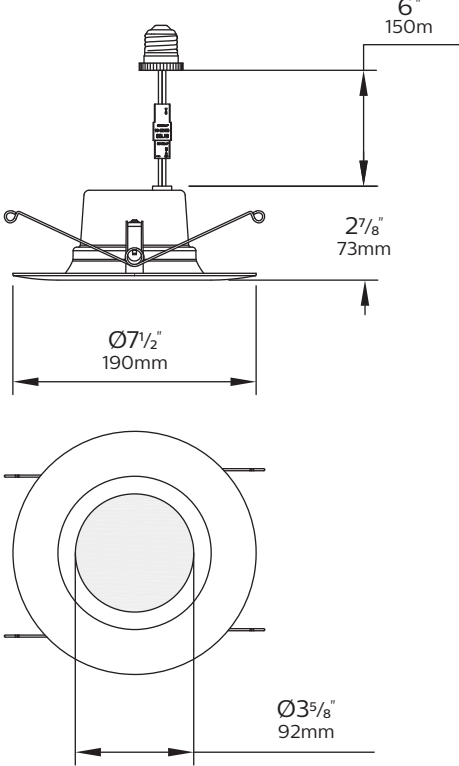


Dimensions

Retrofit Downlight 4"

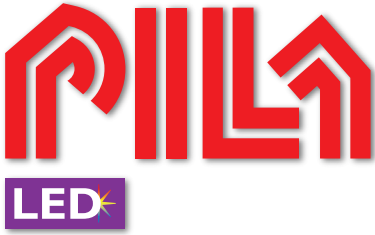


Retrofit Downlight 5/6"



Components

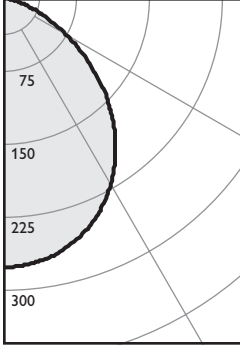
- 1. E26 cap
- 2. Flexible wiring UL connector
- 3. Friction blades or torsion springs for mounting
- 4. LED retrofit kit



Photometry

4-inch, 600lm, 80 CRI, 120V-3000K

Candela Curve



Fixture: **PILARETR4R30K**

Output lumens: 600 lms
 Input watts: 7.5 W
 CRI: 80 min
 CCT!: 3000K
 Spacing Crit.: 1.2

Zonal summary

Zone	Lumens	%Luminaire
0-30	208	34.7%
0-40	331	55.2%
0-60	534	89.0%
0-90	600	100.0%

Angle	Mean CP	Lumens
0	274	
5	272	26
10	268	
15	260	73
20	250	
25	236	108
30	218	
35	196	124
40	175	
45	151	116
50	124	
55	97	87
60	71	
65	46	48
70	29	
75	12	15
80	5	
85	1	2
90	0	

Single unit data

Height to lighted plane	Initial center beam foot-candles	Beam diameter (ft)*
5'	11	6.0'
6'	8	7.2'
7'	6	8.4'
8'	4	9.6'
9'	3	10.8'

* Beam diameter is where foot-candles drop to 50% of maximum.

Multiple unit data - RCR 2

Spacing on center	Initial center beam foot-candles	Watts per sq. ft.
5'	25.0	0.33
6'	17.0	0.22
7'	12.0	0.16
8'	10.0	0.13
9'	8.0	0.10

38' x 38' x 10' Room, Workplane 2.5' above floor, 80/50/20% Reflectances

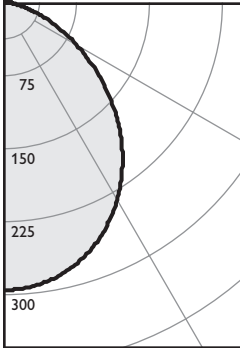
Efficacy: **80.0lm/w**
 Report#: 9290022892

Coefficients of utilization

Ceiling	80%				70%		50%		30%		0%	
	70	50	30	10	50	10	50	10	50	10	0	
Wall	Zonal cavity method - Effective floor reflectance = 20%											
RCR	Zonal cavity method - Effective floor reflectance = 20%											
Room Cavity Ratio	0	119	119	119	119	116	116	111	111	106	106	100
	1	111	107	103	100	101	98	100	95	96	92	88
	2	102	95	89	84	88	83	90	81	86	79	76
	3	94	85	77	72	76	71	80	70	78	69	66
	4	87	76	68	62	67	61	72	61	70	60	57
	5	80	68	60	54	60	54	65	53	63	53	50
	6	74	62	54	48	53	48	59	47	58	47	45
	7	69	57	48	43	48	43	54	42	53	42	40
	8	64	52	44	38	44	38	50	38	49	38	36
	9	60	48	40	35	40	35	46	34	45	34	32
	10	57	44	37	32	36	32	43	31	42	31	30

5/6-inch, 650lm, 80 CRI, 120V-3000K

Candela Curve



Fixture: **PILARETR56R30K**

Output lumens: 650 lms
 Input watts: 7.5 W
 CRI: 80 min
 CCT!: 3000K
 Spacing Crit.: 1.2

Zonal summary

Zone	Lumens	%Luminaire
0-30	220	33.8%
0-40	351	54.0%
0-60	568	87.4%
0-90	650	100.0%

Angle	Mean CP	Lumens
0	294	
5	292	28
10	287	
15	277	78
20	265	
25	247	115
30	230	
35	209	130
40	185	
45	159	123
50	132	
55	106	94
60	81	
65	56	58
70	37	
75	19	22
80	8	
85	2	3
90	0	

Single unit data

Height to lighted plane	Initial center beam foot-candles	Beam diameter (ft)*
5'	12	6.0'
6'	8	7.2'
7'	6	8.4'
8'	5	9.6'
9'	4	10.8'

* Beam diameter is where foot-candles drop to 50% of maximum.

Multiple unit data - RCR 2

Spacing on center	Initial center beam foot-candles	Watts per sq. ft.
5'	27.0	0.33
6'	18.0	0.22
7'	13.0	0.16
8'	11.0	0.13
9'	9.0	0.10

38' x 38' x 10' Room, Workplane 2.5' above floor, 80/50/20% Reflectances

Efficacy: **86.7lm/w**
 Report#: 9290022893

Coefficients of utilization

Ceiling	80%				70%		50%		30%		0%	
	70	50	30	10	50	10	50	10	50	10	0	
Wall	Zonal cavity method - Effective floor reflectance = 20%											
RCR	Zonal cavity method - Effective floor reflectance = 20%											
Room Cavity Ratio	0	119	119	119	119	116	116	111	111	106	106	100
	1	110	106	103	99	104	98	100	95	96	92	87
	2	102	94	88	83	92	82	89	80	86	79	75
	3	93	84	77	71	82	70	79	69	77	68	65
	4	86	75	67	61	74	61	71	60	69	59	56
	5	80	68	59	53	67	53	65	52	63	52	49
	6	74	61	53	47	60	47	59	46	57	46	44
	7	69	56	48	42	55	42	54	41	52	41	39
	8	64	51	43	38	51	38	49	37	48	37	35
	9	60	47	39	34	47	34	45	34	44	34	32
	10	56	44	36	31	43	31	42	31	41	31	29

1. Correlated Color Temperature within specs as defined in ANSI_NEMA_ANSLG C78.377-2008: Specifications for the Chromaticity of Solid State Lighting Products.
 2. Tested using absolute photometry as specified in LM79: IESNA Approved Method for the Electrical and Photometric Measurements of Solid-State Lighting Products.