

SPECIFICATION

The Enlighted Manage in the Cloud (EMC) provides a secure web-based interface to monitor, manage, and analyze energy savings and other data collected by the Enlighted Smart Sensor network. Manage translates data from the sensor network into detailed energy, temperature, and occupancy insights around the clock.

OVERVIEW

Manage provides the data analysis for all data harvested by Enlighted network devices, such as sensors. In addition to being the collection point for the energy, occupancy, and environmental data captured by Enlighted Smart Sensors. Manage provides a web-based user interface for lighting system management, IoT device management, and optimizing building system performance. The EMC manages up to 18,000 sensors.

FEATURES

Simplified Lighting Control Management: Manage configures and manages lighting behavior by adjusting software profiles while retaining lighting data for up to 36 months. It generates reports on carbon reduction, energy, and financial savings.

Power Metering: By deploying various control strategies at an individual fixture level, direct power metering provides data for comprehensive savings analysis.

Comprehensive Insight into Building System Performance: Automatic Demand Response (ADR) and Demand Response (DR) optimize operating costs and comply with energy efficiency and sustainability goals. Measure and identify under-utilized spaces by gaining insight into building usage patterns.

Standards-Based Communications Protocols: Industry-standard communication protocols provide robust and mature capabilities. REST-based APIs support GET, POST requests, and XML, JSON responses.

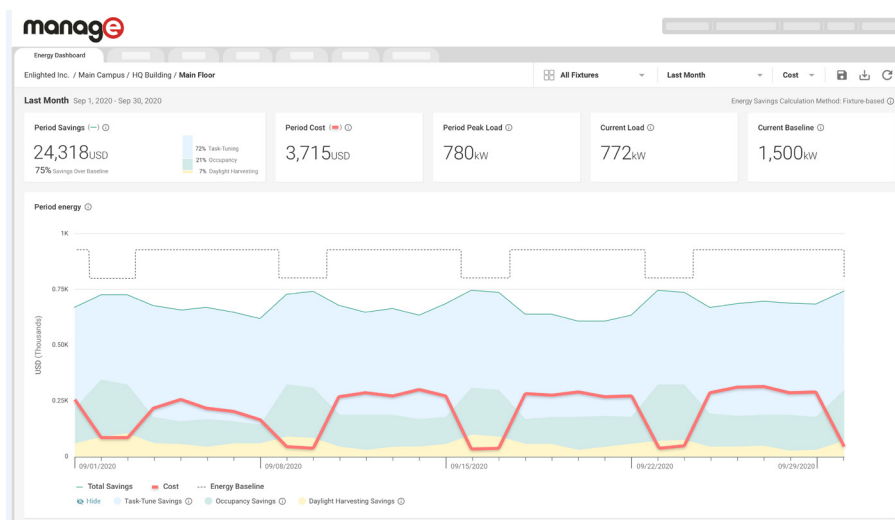
Data Security: AES 128-bit encryption for wireless data transmission and TLS encryption for TCP/IP along with the use of a 2048-bit certificate and SHA-256 Cipher enable the highest standards of Corporate Data Security requirements.

Data Privacy: Manage collects and stores occupancy data captured by the Enlighted sensors. The sensors cannot directly reference, distinguish, or identify any natural person. The user details such as login, logout events, IP address, first name, last name, and application pages accessed by the user along with the organization's name, occupancy data, and floor plans are all stored in Manage.

Flexible Deployment: The EMC is cloud-hosted, reducing the burden on your IT organization and allowing globally distributed sites to be managed from a single location.

Title 24 Compliance: Manage simplifies the code compliance process by automatically setting profile parameter limits and automating specific tests that Title 24 requires. The software generates Title 24 compliance documents as the tests are evaluated and certified.

ENERGY SAVINGS



ENLIGHTED SPECIFICATION SUBMITTAL

Job Name:

Job Number:

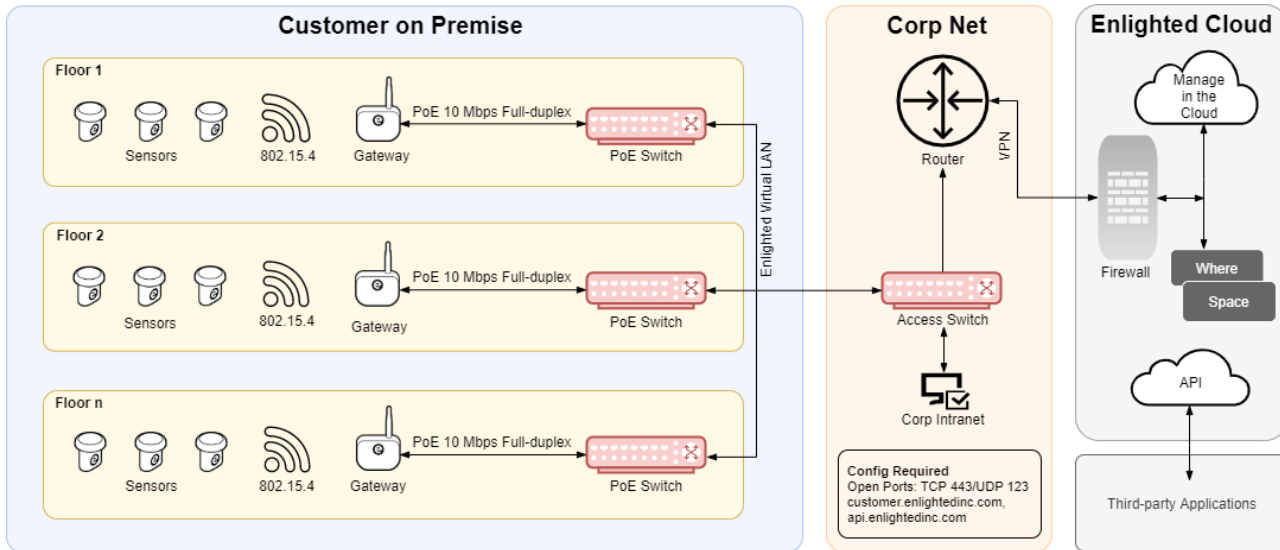
Product Codes:

 EMC-SWC-01

Manage in the Cloud

CONNECTIONS

Enlighted Manage in the Cloud (EMC) can be installed on the customer network. The Gateways act as the SSL client, initiate the communication with the Cloud, and register themselves with the Enlighted Cloud using the Enlighted Cloud portal. DHCP addressing of the gateways is done locally. The customer network also needs to provide DNS support to allow the Gateways to communicate with the Enlighted Cloud. The software can be accessed securely via a web browser, thus eliminating the need for clients to download any software.



TECHNICAL SPECIFICATIONS

Operating System: Linux-based

Web Client: Chrome, IE 10+

Security: TCP/IP, Standards-based

ORDERING INFORMATION

EMC-SWC-01 Annual Subscription per Sensor License*

* Minimum purchase requirement applies