

SPECIFICATION

The Enlighted Gateway is the intermediary device between the Enlighted Manage server and the Enlighted control network. The Gateway relays energy, environmental, and occupancy data captured by the Enlighted sensors to Manage for analysis and reporting. It also communicates configuration changes from Manage to sensors and other network devices.

OVERVIEW

The Enlighted Gateway (GW-2-01) aggregates wireless traffic between the network of Enlighted sensors and the Enlighted Manage server. Each Gateway sends and receives data for up to 100 connected devices, including sensors, plugloads. It uses the IEEE 802.15.4 protocol for wireless communication with the sensors and a wired TCP/IP network for communication with the Manage server if it is located on-premise.

FEATURES

Data Security: AES 128-bit encryption for wireless data transmission and SSL encryption for TCP/IP data transmission enabled for data security.

Data Privacy: Data is transferred from the Enlighted sensors to Manage and is not stored in the Gateway.

Scalability: Each Gateway can individually support up to 100 connected devices. System architecture enables effective scalability to very large applications.

Standards-based Communication Protocols: Use of industry-standard communication protocols provides robust and mature capabilities.

Operating Range: Each Gateway can operate at a 150 ft. radius (46 m) open range in open ceiling installation, and individual sensor units can function as repeaters to extend operating range.



The Enlighted Gateway

L	3.01"	76.5 mm
W	4.01"	101.9 mm
H	1.38"	35.0 mm
Weight	4.23 oz	120 grams

ENLIGHTED SPECIFICATION SUBMITTAL

Job Name:

Job Number:

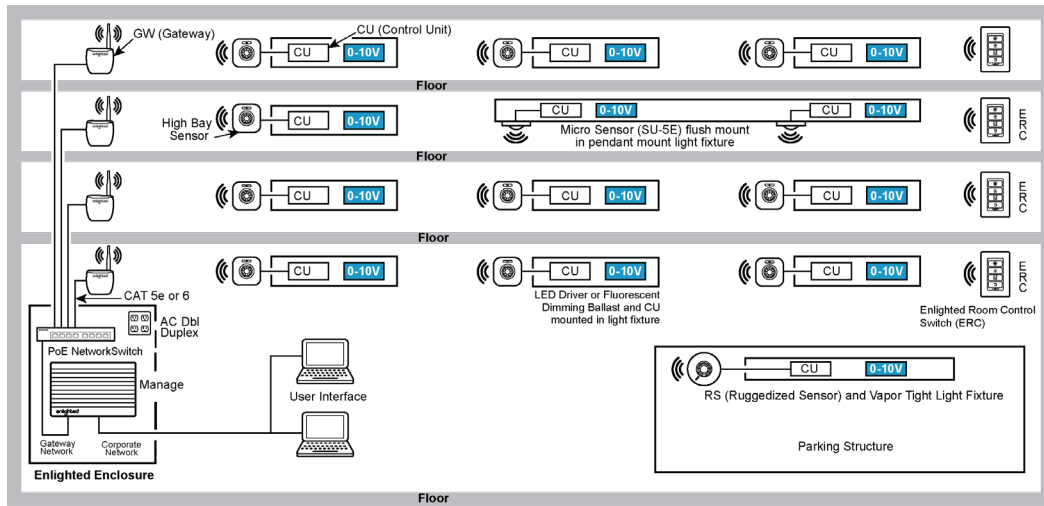
Product Code:

GW-2-01

ENCL-GW

WIRING AND OPERATIONS

One or more gateways may be deployed on each floor to relay information between the sensors and the Manage server. The Gateway device mounts to the ceiling at the same height as an individual sensor device. The antenna is then pointed down. CAT5e cable is run from the Enlighted Gateway to the PoE switch (RJ-45 connector not shown).



TECHNICAL SPECIFICATIONS

Radio Frequency: 2400–2483.5 MHz
 RF TX Output Power: 3.5 dBm
 Wireless Protocol: IEEE 802.15.4 compliant
 Wireless Range: 150 ft. radius (46 m) open range
 Operating: 32° to 122° F / 0° to 50° C
 Connector Type: 1x 10/100 BaseT RJ45 PoE+ Port
 Enclosure: Recyclable ABS
 Power Requirements: PoE Class 1, 3.8W Max

ORDERING INFORMATION

GW-2-01 Enlighted Gateway
 ENCL-GW Gateway Enclosure

WARRANTY: 5 years

View www.enlightedinc.com/limited-warranty-terms for complete terms and conditions

Help Portal: <https://support.enlightedinc.com>

COMPLIANCE

Europe
 United States
 Canada