

# Power over Ethernet (PoE) Switch



## SPECIFICATION

The PoE Switch, sourced from Netgear and certified by Enlighted, powers the Enlighted Gateway and provides data switching power for the Enlighted Control network.



### OVERVIEW

The PoE Switch provides power and data from a single point, using Power over Ethernet via a single CAT-5 or 6 cable. The eight Fast Ethernet ports can be used for any 10/100 Mbps link and four of these ports can supply industry-standard IEEE 802.3af power. The advanced auto-sensing algorithm gives power only to 802.3af end devices, ensuring no damage to proprietary PoE or non-PoE equipment. In addition, the switch discontinues the power when PoE devices are disconnected. Easy and reliable, the device automatically determines PoE requirements, speed, duplex, and cable type.

#### PoE Switch

L	9.3"	235 mm
W	4.1"	103 mm
H	1.1"	27 mm
Weight	27.2 oz	.77 kg

### TECHNICAL SPECIFICATION

#### Network Ports

- 8 auto speed-sensing 10/100 RJ-45 ports

#### Network Protocol and Standards

- IEEE 802.3i 10BASE-T
- IEEE 802.3u 100BASE-TX
- IEEE 802.3x Flow Control
- IEEE 802.3af DTE Power via MDI

#### Performance Specifications

- Forwarding modes: Store-and-forward
- Bandwidth: 1.6 Gbps
- Network latency: Less than 20  $\mu$ s for 64-byte frames in store-and-forward mode for 100 Mbps to 100 Mbps transmission

#### Power Supply

- Total power consumption: 44 W maximum
- PoE Watt budget: 32 W
- 802.3 af power consumption: 32 W maximum (Ports 1-4)
- 48 VDC, 0.8 A power output; plug is localized to country of sale

#### Environmental Specifications

- Operating temperature: 32° to 104° F (0° to 40° C)

- Storage temperature: 14° to 158° F (-10° to 70° C)
- Operating humidity: 90% maximum relative humidity, noncondensing
- Storage humidity: 95% maximum relative humidity, noncondensing
- Operating altitude: 10,000 ft. (3,000 m) maximum
- Storage altitude: 10,000 ft. (3,000 m) maximum

#### Electromagnetic Immunity

- EN 55024

#### Electromagnetic Emissions

- CE mark, commercial
- FCC Part 15 Class B
- VCCI Class B
- EN 55022 (CISPR 22), Class B
- C-Tick

#### Safety

- CE mark, commercial
- CE/LVD EN60950

#### ENLIGHTED SPECIFICATION SUBMITTAL

Job Name:

Job Number:

Model Numbers:

 SW-POE-8-4

# Power over Ethernet (PoE) Switch

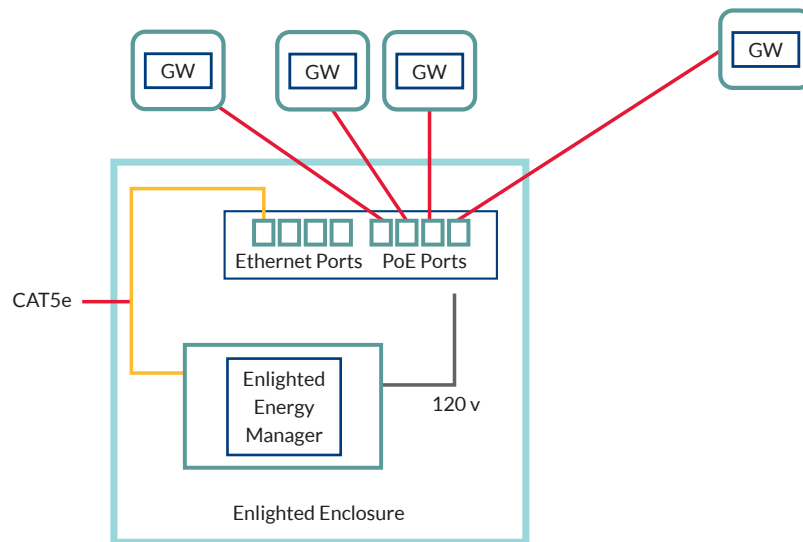
## MOUNTING

The PoE Switch is usually mounted in an electrical or telecom room in an Enlighted Enclosure with the Enlighted Energy Manager and a double duplex receptacle. RJ-45 connectors are included for the Enlighted system and to connect to an IT network, or on a building automation and control network.

## WIRING & OPERATIONS

The LAN2/ETH1 port on the Enlighted Energy Manager is connected to one of the Ethernet ports on the PoE Switch.

## WIRING



## ORDERING INFORMATION

SW-POE-8-4: PoE Switch

## COMPLIANCE

Europe  RoHS  REACH   
United States    
Canada 

## WARRANTY

NETGEAR Lifetime Warranty  
1 year for power supply