

# Enterprise Enlighted Manage



## SPECIFICATION

The Enterprise Enlighted Manage (EEM) server, sourced from Dell and certified by Enlighted, provides a secure web-based interface to monitor, manage, and analyze energy savings and other data collected by the Enlighted Smart Sensor network. The EEM translates data from the sensor network into detailed energy, temperature, and occupancy insights around the clock.



### OVERVIEW

Manage provides the data analysis for all data harvested by the Enlighted network devices, such as sensors. In addition to being the collection point for the energy, occupancy, and environmental data captured by Enlighted Smart Sensors, Manage provides a web-based user interface for lighting system management, IoT device management, and optimizing building system performance.

The EEM server manages up to 10,000 sensors with BACnet and 18,000 sensors without BACnet. With the Lighting BACnet software license available for purchase, the EEM can manage and control up to 35,000 BACnet points.

### FEATURES

**Simplified Lighting Control Management:** Manage configures and manages lighting behavior by adjusting software profiles while retaining lighting data for up to 36 months. It generates reports on the lamp and fixture outages, carbon reduction, energy, and financial savings.

**Power Metering:** By deploying various control strategies at an individual fixture level, direct power metering provides data for comprehensive savings analysis.

**Comprehensive Insight into Building System Performance:** Automatic Demand Response (ADR) and Demand Response (DR) optimize operating costs and comply with energy efficiency and sustainability goals. Measure and identify under-utilized spaces by gaining insight into building usage patterns.

**Standards-Based Communications Protocols:** Industry-standard communication protocols provide robust and mature capabilities. REST-based APIs support GET, POST requests, XML, JSON responses. BACnet/IP enables integration between the Enlighted lighting network and Building Management System (BMS). Users can turn on or off Bluetooth 4.0 Low Energy (BLE) beacons via Manage.

**Data Security:** AES 128-bit encryption for wireless data transmission and TLS encryption for TCP/IP along with the use of a 2048-bit certificate and SHA-256 Cipher enable the highest standards of Corporate Data Security requirements.

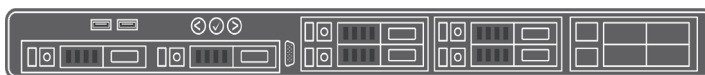
**Data Privacy:** Manage collects and stores occupancy data captured by the Enlighted sensors. The sensors cannot directly reference, distinguish, or identify any natural person. The user details such as login, logout events, IP address, first, last name, and application pages accessed by the user along with the organization's name, occupancy data, and floor plans are all stored in Manage.

**Flexible Deployment:** The server can be installed on a Corporate Network, dedicated Gateway Network, or as a stand-alone system. The intuitive graphical user interface is accessible via a standard secure web browser, thus eliminating software downloading.

**Title 24 Compliance:** Manage simplifies the code compliance process by automatically setting profile parameter limits and automating specific tests that Title 24 requires. The software generates Title 24 compliance documents as the tests are evaluated and certified.

### Enterprise Enlighted Manage

Width	19.00"	482.6 mm
Depth	23.9"	607.1 mm
Height	1.7"	43.2 mm



Front View without Bezel



Back View

### ENLIGHTED SPECIFICATION SUBMITTAL

Job Name:

Job Number:

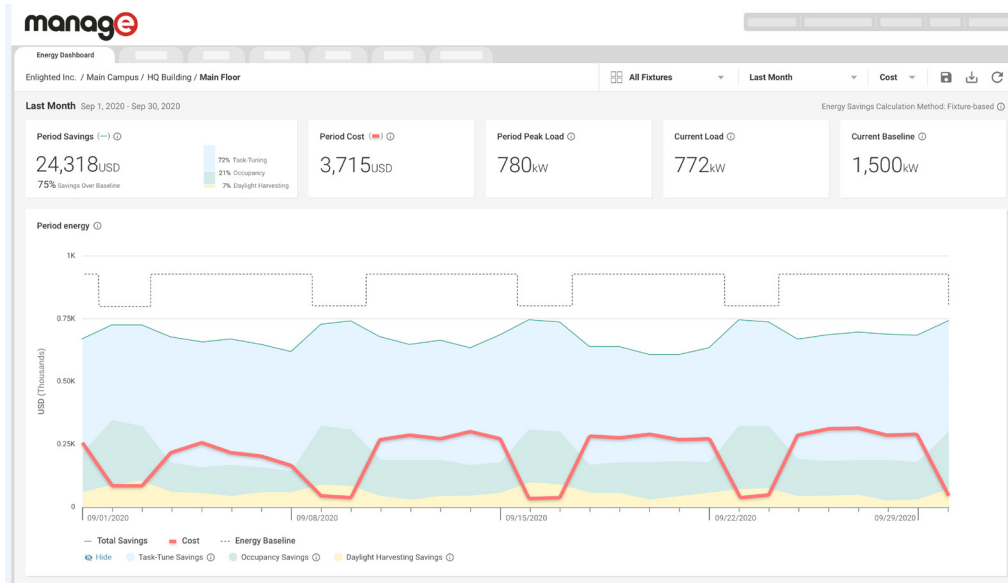
Product Codes:

EM-3-01

EM-SW-1000

EM-SW-1

## ENERGY SAVINGS

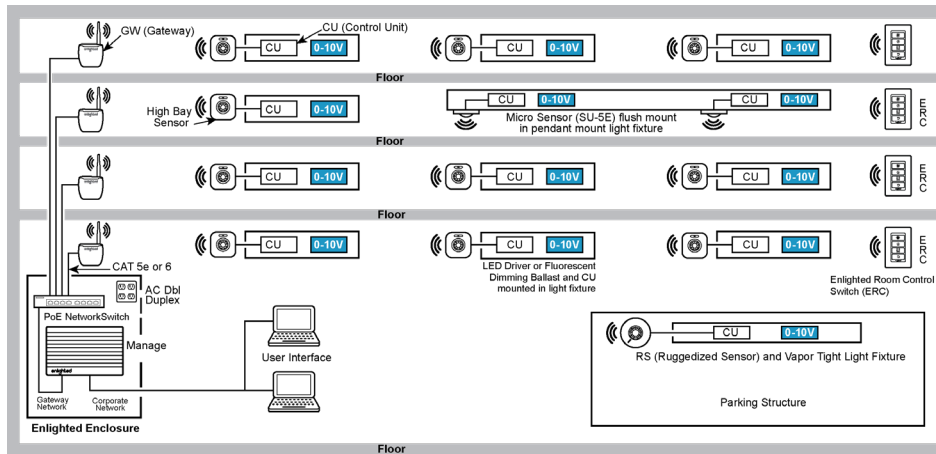


## MOUNTING

The Enterprise Enlighted Manage server is usually placed in the customer's data center. RJ-45 connectors are included for the Enlighted system to connect to the Corporate Network and Gateway Network.

## WIRING AND OPERATIONS

The Enterprise Enlighted Manage server has two Ethernet ports: Eth0 and Eth1. The Gateway Network is connected to one of the Ethernet ports on the PoE Switch. The Corporate Network from the Ethernet port is connected to the client's IT network or the client's local computer. The Manage software that resides in the EEM can be accessed securely via a web browser, thus eliminating the need for clients to download any software.



## TECHNICAL SPECIFICATIONS

- Operating System: Linux-based
- Web Client: Chrome, Microsoft Edge
- Security: TCP/IP Standards-based
- BACnet: BACnet/IP
- Operating: 50° to 95° F / 10° to 35° C
- Enclosure: Ruggedized aluminum
- Power Supply Input: 100-240 VAC / 7.4-3.7 A
- Power Supply Output: 350 W/550 W AC

## ORDERING INFORMATION

- EM-3-01 Enterprise Enlighted Manage. Includes license for 5000 sensors. Allows addition of licenses to manage up to
- EM-SW-1000 18,000 sensors. (10,000 sensors with
- EM-SW-1 BACnet points).

Customer must purchase VMWare ESXi license separately.

## COMPLIANCE

- Europe: CE, RoHS, REACH
- United States: FC, UL LISTED
- Canada: UL LISTED

**WARRANTY:** 1 year