

# Galaxy VM

## Kit for IP32

### Installation

06/2015



# Legal Information

The Schneider Electric brand and any registered trademarks of Schneider Electric Industries SAS referred to in this guide are the sole property of Schneider Electric SA and its subsidiaries. They may not be used for any purpose without the owner's permission, given in writing. This guide and its content are protected, within the meaning of the French intellectual property code (Code de la propriété intellectuelle français, referred to hereafter as "the Code"), under the laws of copyright covering texts, drawings and models, as well as by trademark law. You agree not to reproduce, other than for your own personal, noncommercial use as defined in the Code, all or part of this guide on any medium whatsoever without Schneider Electric's permission, given in writing. You also agree not to establish any hypertext links to this guide or its content. Schneider Electric does not grant any right or license for the personal and noncommercial use of the guide or its content, except for a non-exclusive license to consult it on an "as is" basis, at your own risk. All other rights are reserved.

Electrical equipment should be installed, operated, serviced, and maintained only by qualified personnel. No responsibility is assumed by Schneider Electric for any consequences arising out of the use of this material.

As standards, specifications, and designs change from time to time, please ask for confirmation of the information given in this publication.

---

# Table of Contents

Important Safety Information.....5

Overview of Supplied Installation Kits.....6

    Installation Kit OM-97296.....6

Install IP32 Kit.....8



# Important Safety Information

Read these instructions carefully and look at the equipment to become familiar with it before trying to install, operate, service or maintain it. The following safety messages may appear throughout this manual or on the equipment to warn of potential hazards or to call attention to information that clarifies or simplifies a procedure.



The addition of this symbol to a “Danger” or “Warning” safety message indicates that an electrical hazard exists which will result in personal injury if the instructions are not followed.



This is the safety alert symbol. It is used to alert you to potential personal injury hazards. Obey all safety messages with this symbol to avoid possible injury or death.

<b>⚠ DANGER</b>
<p><b>DANGER</b> indicates a hazardous situation which, if not avoided, <b>will result in death or serious injury.</b></p> <p><b>Failure to follow these instructions will result in death or serious injury.</b></p>
<b>⚠ WARNING</b>
<p><b>WARNING</b> indicates a hazardous situation which, if not avoided, <b>could result in death or serious injury.</b></p> <p><b>Failure to follow these instructions can result in death, serious injury, or equipment damage.</b></p>
<b>⚠ CAUTION</b>
<p><b>CAUTION</b> indicates a hazardous situation which, if not avoided, <b>could result in minor or moderate injury.</b></p> <p><b>Failure to follow these instructions can result in injury or equipment damage.</b></p>
<b>NOTICE</b>
<p><b>NOTICE</b> is used to address practices not related to physical injury. The safety alert symbol shall not be used with this type of safety message.</p> <p><b>Failure to follow these instructions can result in equipment damage.</b></p>


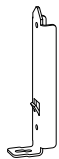


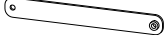
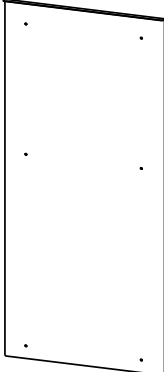
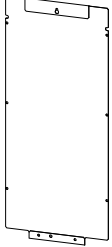
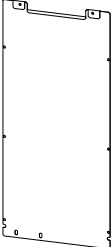
## Please Note


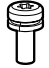

Electrical equipment should only be installed, operated, serviced, and maintained by qualified personnel. No responsibility is assumed by Schneider Electric for any consequences arising out of the use of this material.

A qualified person is one who has skills and knowledge related to the construction, installation, and operation of electrical equipment and has received safety training to recognize and avoid the hazards involved.

# Overview of Supplied Installation Kits

## Installation Kit 0M-97296

Part	Used in	Number of units
Top plate	<i>Install IP32 Kit, page 8</i>	1 
Corner bracket		4 
Right frame part		1 
Left frame part		1 
Extension piece		2 
Rear cover for power cabinet		1 
Rear upper cover for I/O cabinet		1 
Rear lower cover for I/O cabinet		1 

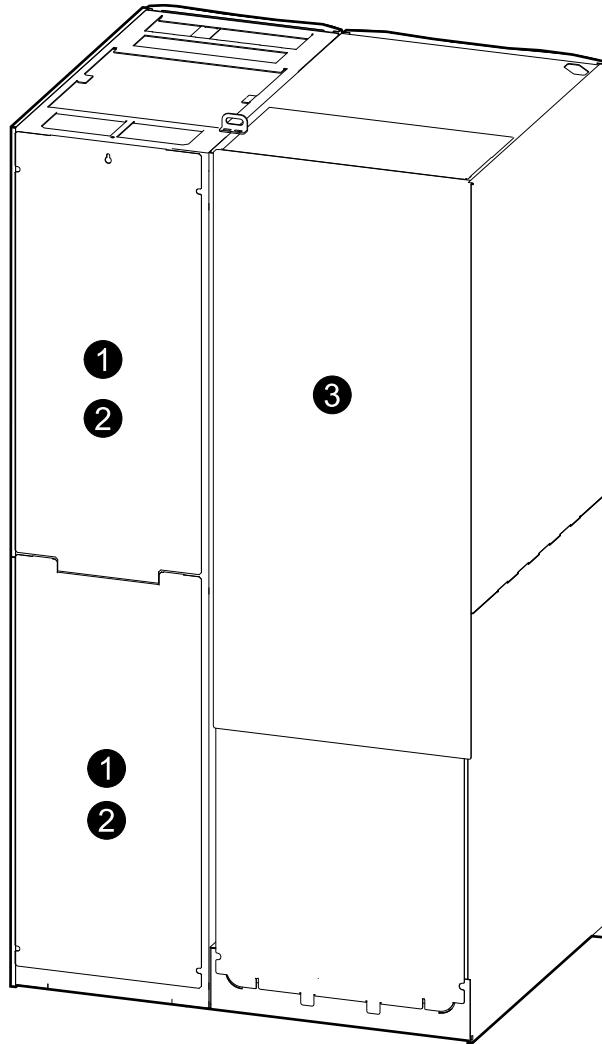
Part	Used in	Number of units
Rear frame part	<i>Install IP32 Kit, page 8</i>	1 
M6 x 16 mm torx screw with washer		16 
Polycarbonate plate		1 

# Install IP32 Kit

**NOTE:** Top cable entry is not supported when the IP32 kit is installed.

1. Remove the upper and lower rear cover from the I/O cabinet.
2. Install the upper and lower rear cover from the IP32 kit on the I/O cabinet and fasten with screws.
3. Install the rear cover from the IP32 kit on the power cabinet on top of the rear covers already present and fasten with screws.

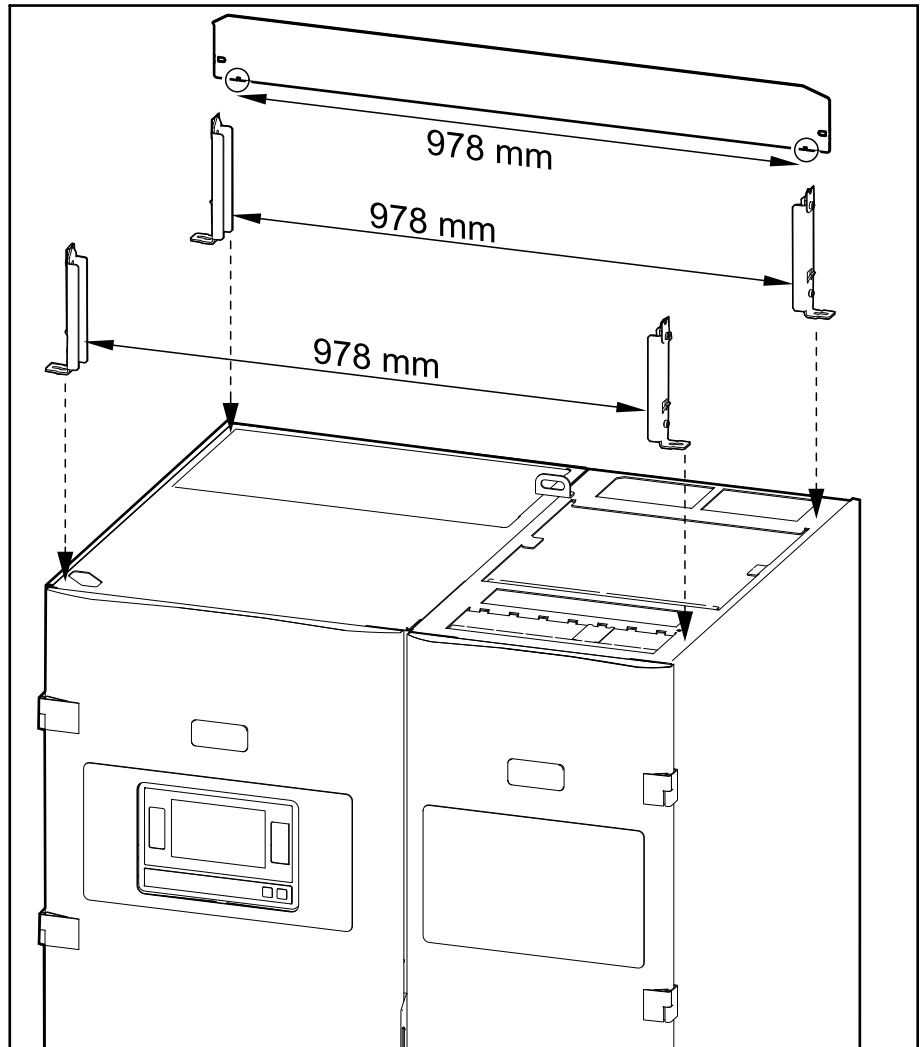
## Rear View of the I/O Cabinet and the Power Cabinet





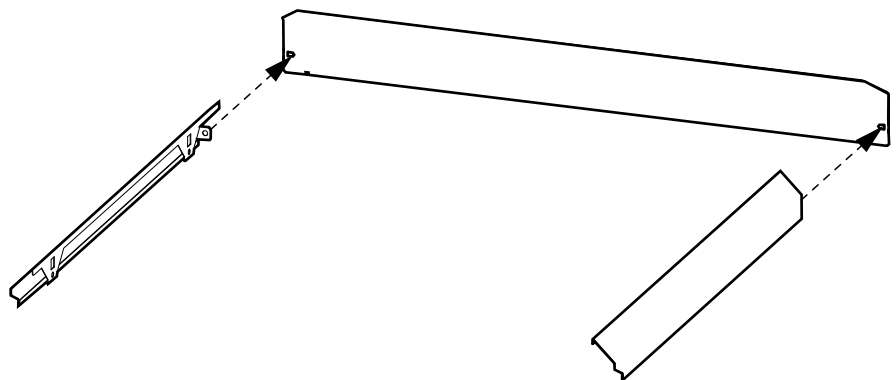
4. Install the four corner brackets on the roof of the UPS. The left to right distance between the brackets must equal 978 mm. You can use the rear frame part to measure the distance between the corner brackets. When the rear part is placed flat, the two corner brackets will fit into the two small measurement cuts.

#### Front View of the Power Cabinet and the I/O Cabinet



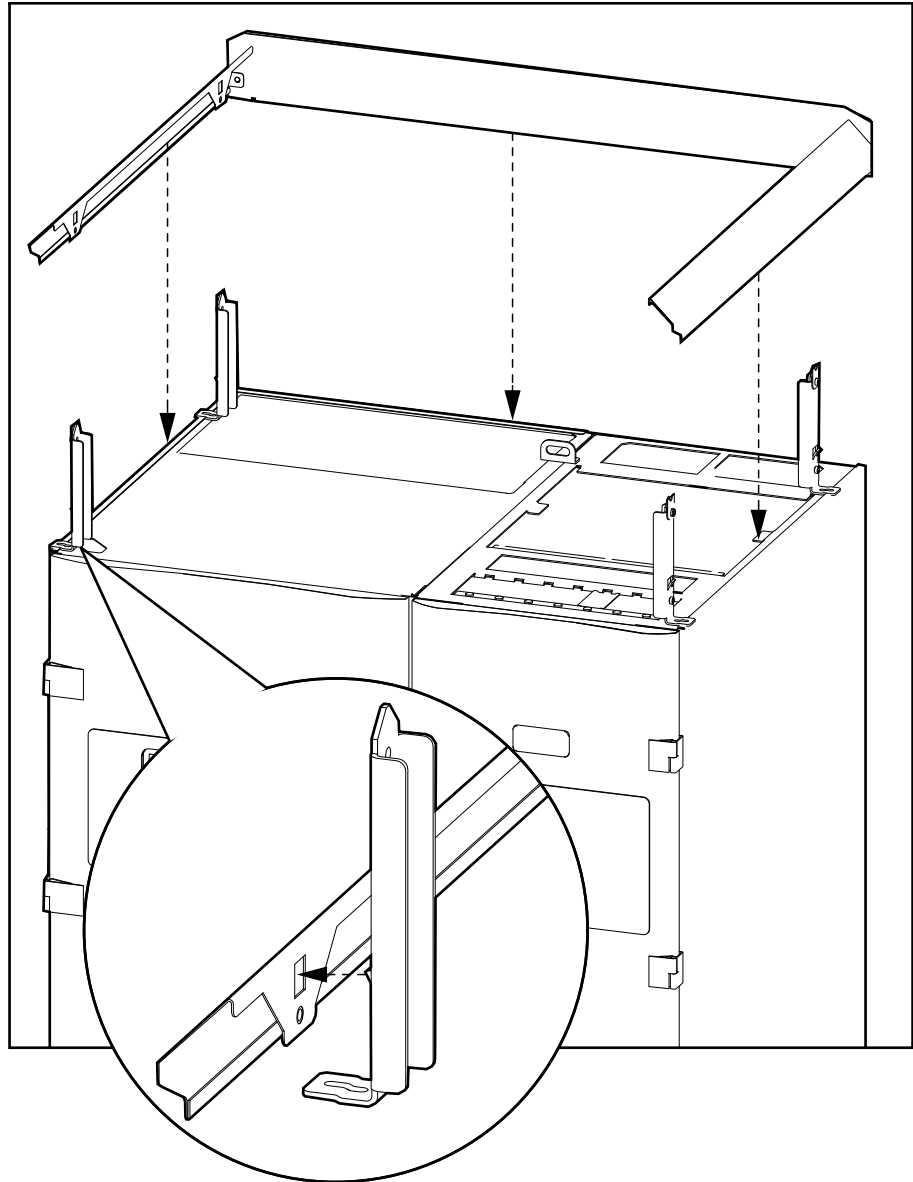
5. Mount the right and left frame parts to the rear frame part and fasten with screws.

#### Front View of the Frame Assembly



6. Install the frame assembly on the top of the UPS. Tabs on the corner brackets will fit into the holes on the right and left frame parts. Mount the frame assembly on the four corner brackets with screws.

#### Front View of the Power Cabinet and the I/O Cabinet

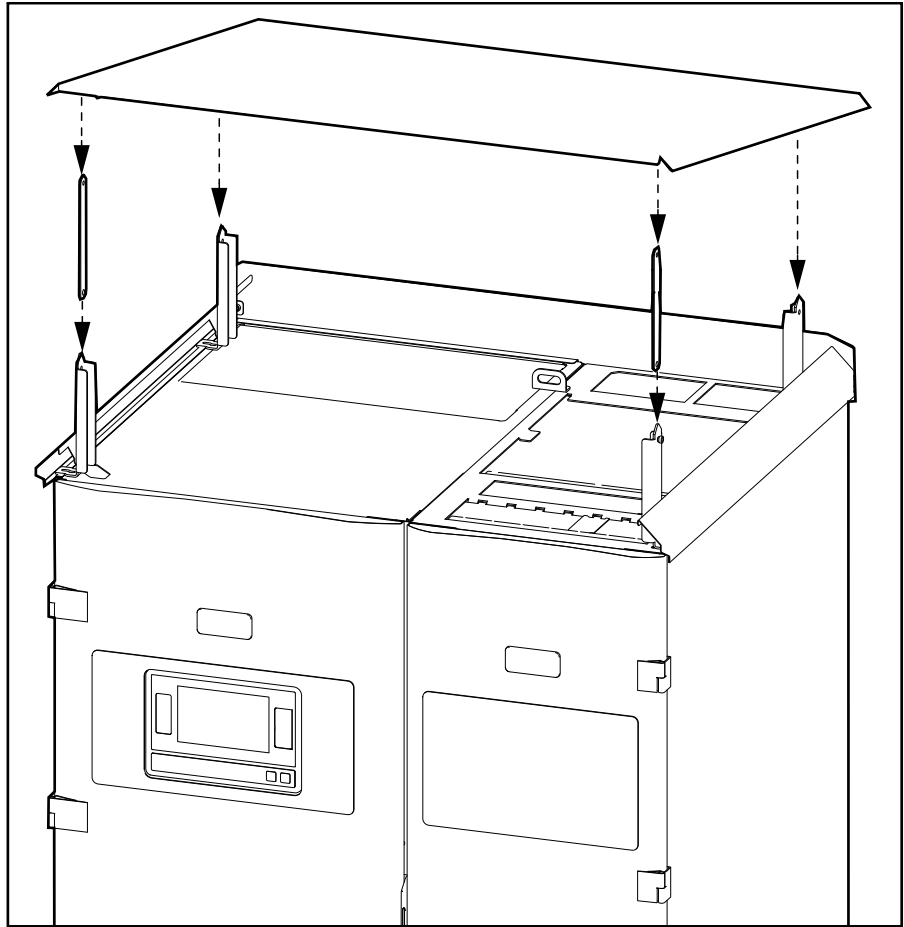


7. Install the two extension pieces on the two front corner brackets in an upright position.

**NOTE:** Installing the extension pieces will create easier access to the rear brackets when installing the top plate in systems with front access only. Save the extension pieces for later use when enhanced service access to the top of the cabinet may be needed.

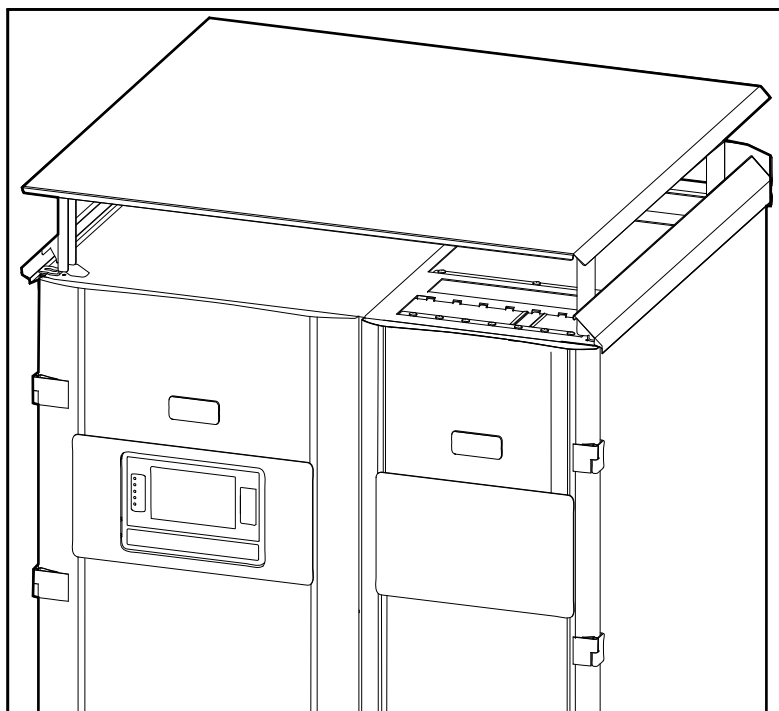
8. Rest the top plate on the two extension pieces and the two rear corner brackets and fasten the top plate to the rear corner brackets with screws.

**Front View of the Power Cabinet and the I/O Cabinet with temporary enhanced service access to top**



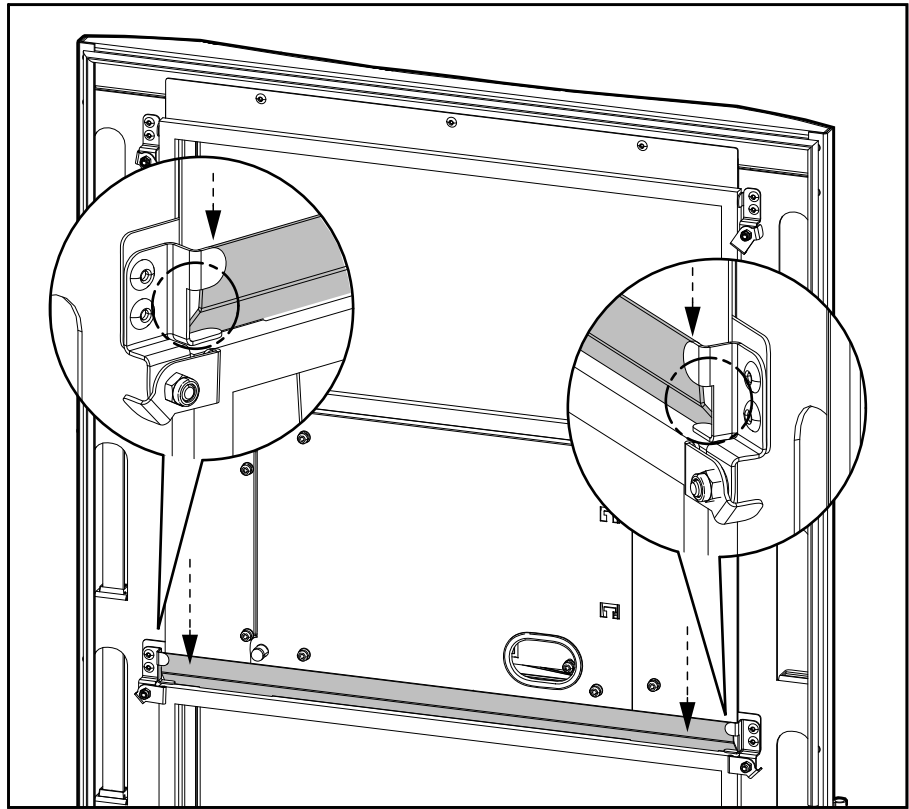
9. Remove the two extension pieces from the front brackets.
10. Fasten the top plate to the two front corner brackets with screws.

**Front View of the Power Cabinet and the I/O Cabinet with IP32**



11. Open the front door of the power cabinet.
12. On the rear side of the power cabinet front door, install the provided polycarbonate plate below the display and behind the filter lock. Note the direction of the polycarbonate plate.

#### Rear View of the Power Cabinet Front Door









Schneider Electric  
35 rue Joseph Monier  
92500 Rueil Malmaison  
France

+ 33 (0) 1 41 29 70 00

[www.schneider-electric.com](http://www.schneider-electric.com)

As standards, specifications, and design change from time to time,  
please ask for confirmation of the information given in this publication.

© 2015 – 2015 Schneider Electric. All rights reserved.

990-5612A-001