



SYSTEM OVERVIEW

[Home](#)

| | |
|--------------------|---|
| Description: | Front Access Battery Rack System consisting of a nominal 19" wide 7' tall or 23" wide 7', 6', or 5' tall relay rack, battery trays, and busbar termination assembly. The battery trays accommodate a variety of front terminal -48V valve regulated lead acid (VRLA) batteries. Includes factory routed and lugged cabling from each battery tray to the termination assembly. May also be equipped with optional left or right side mounted battery disconnect circuit breakers. When equipped with battery disconnect circuit breakers, factory CB alarm wiring is provided to an alarm card. The alarm card provides external relay contacts and resistive battery for connection to customer external alarm circuits. |
| Application: | For use with -48VDC NetSure™ Power Systems and other -48VDC Power Systems. |
| Spec. Nos.: | 588820100 (19"). 588820200 (23"). |
| Models: | 48BA1200-19 (19"). 48BA1200-23 (23"). |
| Output Voltage: | -48VDC. |
| Capacity: | 960A, maximum, when equipped with six (6) battery trays. |
| Agency Approval: | UL Listed, Seismic Zone 4. |
| Framework Type: | Relay Rack. |
| Mounting Width: | 19" or 23" Wide (Nominal) Relay Rack (part of system). |
| Mounting Depth: | 588820100: Determined by battery trays ordered. A 16.5" deep, 21" deep, and 22" deep battery tray is available. 588820200: Determined by battery trays ordered. A 22.5" deep battery tray is available. |
| Access: | Front for Installation and Maintenance. |
| Color: | Dark Gray. |
| List Options: | Common Equipment (19" Mounting) , Common Equipment (23" Mounting) , Battery Tray (19" Mounting, 17" Deep) , Battery Tray (19" Mounting, 21" Deep) , Battery Tray (19" Mounting, 22" Deep) , Battery Tray (23" Mounting, 21" Deep) . |
| Accessory Options: | Batteries , Optional Front Battery Cover , Optional Battery Disconnect Circuit Breaker Kits |
| Environment: | 0°C to +40°C (+32°F to +104°F) . |

TABLE OF CONTENTS

SYSTEM OVERVIEW 1

MAIN COMPONENTS ILLUSTRATIONS..... 3

 588820100 and 588820200..... 3

ORDERING INFORMATION 4

 List Options 4

 Accessory Options 5

LIST DESCRIPTIONS 6

 588820100 List 1: Common Equipment, -48V, 19" Battery Rack System..... 6

 588820100 List 10: Battery Tray, 19" Mount, 16.5" Deep 6

 588820100 List 11: Battery Tray, 19" Mount, 21" Deep..... 6

 588820100 List 12: Battery Tray, 19" Mount, 22" Deep 7

 588820200 List 1: Common Equipment, -48V, 23" Battery Rack System 8

 588820200 List 2: Common Equipment, -48V, 23" Battery Rack System..... 8

 588820200 List 3: Common Equipment, -48V, 23" Battery Rack System..... 8

 588820200 List 11: Battery Tray, 23" Mount, 22.5" Deep 9

ACCESSORY DESCRIPTIONS 10

 Batteries 10

 19" Battery Shelf 10

 23" Battery Shelf..... 11

 Optional Front Battery Cover Kits..... 12

 Optional Battery Disconnect Circuit Breaker Kits 13

SPECIFICATIONS..... 14

 1.1 Environmental Ratings 14

 1.2 Compliance Information..... 14

MECHANICAL SPECIFICATIONS 15

 Overall Dimensions – 588820100 List 1 with List 10, List 11 or List 12..... 15

 Overall Dimensions – 588820200 List 1, List 2, List 3 with List 11 16

 Floor Mounting Dimensions – 588820100 17

 Floor Mounting Dimensions – 588820200..... 17

 Battery Lug Landing Dimensions – 588820100 and 588820200 18

 Circuit Breaker Alarms 19

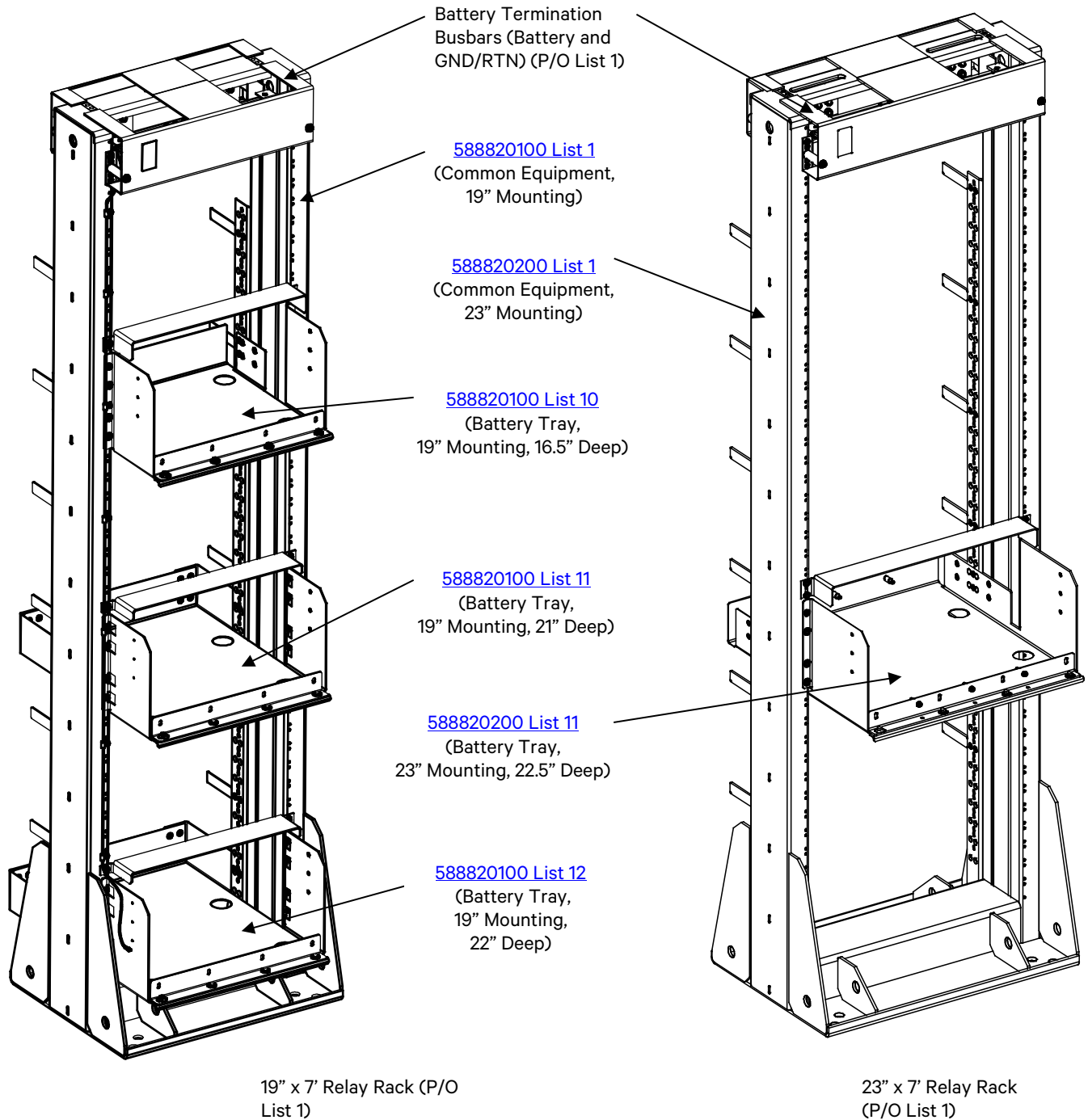
BATTERY MANUFACTURER INFORMATION..... 20

RELATED DOCUMENTATION 20

[Home](#)

MAIN COMPONENTS ILLUSTRATIONS

588820100 and 588820200



[Home](#)

ORDERING INFORMATION

List Options

Order the following by the items Part Number as specified in the following table.
 When viewing electronically, click on the *Link* to jump to the detailed description page.

| List No. | Part Number | Description |
|--------------------|-------------|---|
| 1 | 58882010001 | Common Equipment, -48V, 19" Battery Rack System Includes (1) relay rack, (2) vertical tray mounting brackets, (1) busbar kit with covers, (12) cable lacing brackets, (1) instruction manual, and packaging. |
| 10 | 58882010010 | Battery Tray, 19" Mount, 16.5" Deep Includes tray, hardware, cable cut to length, lugs. |
| 11 | 58882010011 | Battery Tray, 19" Mount, 21" Deep Includes tray, hardware, cable cut to length, lugs. |
| 12 | 58882010012 | Battery Tray, 19" Mount, 22" Deep Includes tray, hardware, cable cut to length, lugs. |
| 1 | 58882020001 | Common Equipment, -48V, 23" Battery Rack System Includes (1) 7' tall relay rack, (2) vertical tray mounting brackets, (1) busbar kit with covers, (12) cable lacing brackets, (1) instruction manual, and packaging. |
| 2 | 58882020002 | Common Equipment, -48V, 23" Battery Rack System Includes (1) 6' tall relay rack, (2) vertical tray mounting brackets, (2) busbar kits with covers, (10) cable lacing brackets, (1) instruction manual, and packaging. |
| 3 | 58882020003 | Common Equipment, -48V, 23" Battery Rack System Includes (1) 5' tall relay rack, (2) vertical tray mounting brackets, (1) busbar kit with covers, (8) cable lacing brackets, (1) instruction manual, and packaging. |
| 11 | 58882020011 | Battery Tray, 23" Mount, 22.5" Deep Includes tray, hardware, cable cut to length, lugs. |

Notes:

- 588820100: Vertical tray spacing is automatically determined by battery tray selection; 7RU for List 10, 6RU for List 11, and 8RU for List 12.
 588820200: Vertical tray spacing is automatically determined by battery selection; 6RU, 7RU, or 8RU. If no battery is selected, spacing is 8RU.
- 588820100: The locations of the cable lacing brackets is determined by the tray spacing, total of six (6) per side.
 588820200: The locations of the cable lacing brackets is determined by the tray spacing, total of six (6) per side for 6RU or 7RU and five (5) per side for 8RU.
- Cable size for each tray is 2AWG for optional battery disconnect circuit breakers selected up to 150A and 1/0AWG for circuit breakers selected over 150A or for systems without battery disconnects.
- If a battery type is not selected, battery terminal lugs are provided and shipped loose for all batteries listed for use with the battery tray ordered and for the cable size determined in Note 3).

[Home](#)

Accessory Options

Order the following by the items Part Number as specified in the following table.

When viewing electronically, click on the *link* to jump to the detailed description page.

| Description | Part Number |
|--|---------------------------------------|
| Batteries | See ACCESSORY DESCRIPTIONS Section |
| Optional Front Battery Cover | |
| Optional Battery Disconnect Circuit Breaker Kits | |

LIST DESCRIPTIONS

588820100 List 1: Common Equipment, -48V, 19" Battery Rack System

Features

- ◆ Provides the following equipment: (1) nominal 19" wide by 7' tall relay rack, (2) vertical tray mounting brackets, (1) busbar kit with covers, (12) cable lacing brackets, (1) instruction manual, and packaging.
- ◆ Factory assembled per battery trays and optional battery disconnect circuit breakers ordered.

Restrictions

The relay rack accommodates up to six (6) battery trays (spaced 6RU or 7RU apart, as determined by the battery tray ordered), or five (5) battery trays (spaced 8RU apart).

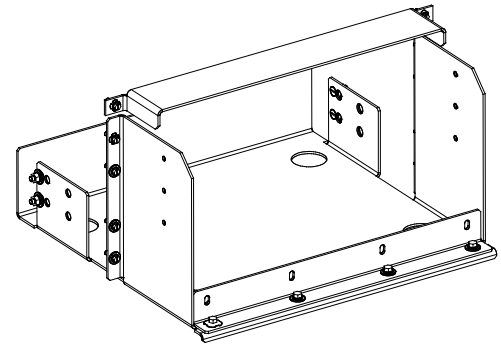
Ordering Notes

- 1) Order as required.

588820100 List 10: Battery Tray, 19" Mount, 16.5" Deep

Features

- ◆ Provides a 16.5" deep battery tray for the nominal 19" wide relay rack provided as part of List 1. The battery tray holds four (4) 12V front terminal valve regulated lead acid (VRLA) batteries. Battery cabling is factory provided and connected to the system's main busbars. Batteries are configured as one (1) 48V string per tray.
- ◆ Trays can be ordered with or without a battery disconnect circuit breaker. When circuit breakers are ordered, one is provided in the - 48V lead of each battery string (1 circuit breaker per tray).
- ◆ Refer to the "Physical Size Information" section for dimensions.



Restrictions

Designed to accommodate the batteries listed under *Batteries* in the ACCESSORY DESCRIPTIONS section.

A single battery tray must mount at bottom of relay rack. Multiple battery trays must mount starting at bottom of relay rack and working upward. Factory spaces battery trays 7RU apart.

Cable size for each tray is 2AWG for optional battery disconnect circuit breakers selected up to 100A and 1/0AWG for circuit breakers selected over 100A or if circuit breakers are not selected.

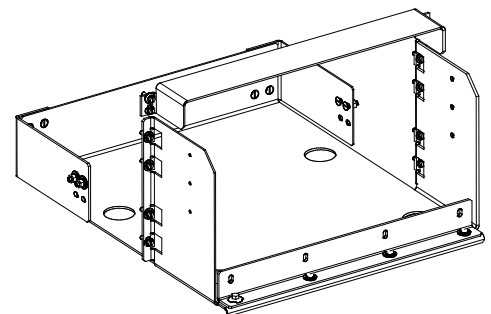
Ordering Notes

- 1) Order up to six (6) battery trays per relay rack, as required.
- 2) Order batteries separately. See *Batteries* in the ACCESSORY DESCRIPTIONS section. Battery cables and lugs factory provided and connected.
- 3) If an optional battery disconnect circuit breaker is desired, order per *Optional Battery Disconnect Circuit Breaker Kits* in the ACCESSORY DESCRIPTIONS section.

588820100 List 11: Battery Tray, 19" Mount, 21" Deep

Features

- ◆ Provides a 21" deep battery tray for the nominal 19" wide relay rack provided as part of List 1. The battery tray holds four (4) 12V front terminal valve regulated lead acid (VRLA) batteries. Battery cabling is factory provided and connected to the system's main busbars. Batteries are configured as one (1) 48V string per tray.
- ◆ Trays can be ordered with or without a battery disconnect circuit breaker. When circuit breakers are ordered, one is provided in the -48V lead of each battery string (1 circuit breaker per tray).
- ◆ Refer to the "Physical Size Information" section for dimensions.



Restrictions

Designed to accommodate the batteries listed under *Batteries* in the ACCESSORY DESCRIPTIONS section.

[Home](#)

A single battery tray must mount at bottom of relay rack. Multiple battery trays must mount starting at bottom of relay rack and working upward. Factory spaces battery trays 6RU apart.

Cable size for each tray is 2AWG for optional battery disconnect circuit breakers selected up to 100A and 1/0AWG for circuit breakers selected over 100A or if circuit breakers are not selected.

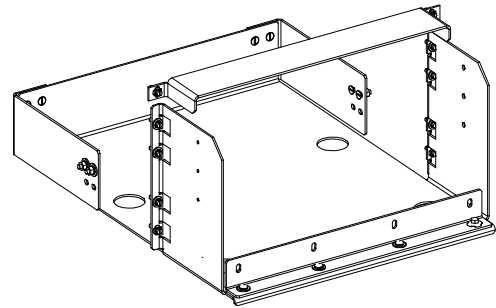
Ordering Notes

- 1) Order up to six (6) battery trays per relay rack, as required.
- 2) Order batteries separately. See *Batteries* in the ACCESSORY DESCRIPTIONS section. Battery cables and lugs factory provided and connected.
- 3) If an optional battery disconnect circuit breaker is desired, order per *Optional Battery Disconnect Circuit Breaker Kits* in the ACCESSORY DESCRIPTIONS section.

588820100 List 12: Battery Tray, 19" Mount, 22" Deep

Features

- ◆ Provides a 22" deep battery tray for the nominal 19" wide relay rack provided as part of List 1. The battery tray holds four (4) 12V front terminal valve regulated lead acid (VRLA) batteries. Battery cabling is factory provided and connected to the system's main busbars. Batteries are configured as one (1) 48V string per tray.
- ◆ Trays can be ordered with or without a battery disconnect circuit breaker. When circuit breakers are ordered, one is provided in the – 48V lead of each battery string (1 circuit breaker per tray).
- ◆ Refer to the "Physical Size Information" section for dimensions.



Restrictions

Designed to accommodate the batteries listed under *Batteries* in the ACCESSORY DESCRIPTIONS section.

A single battery tray must mount at bottom of relay rack. Multiple battery trays must mount starting at bottom of relay rack and working upward. Factory spaces battery trays 8RU apart.

Cable size for each tray is 2AWG for optional battery disconnect circuit breakers selected up to 100A and 1/0AWG for circuit breakers selected over 100A or if circuit breakers are not selected.

Ordering Notes

- 1) Order up to five (5) battery trays per relay rack, as required.
- 2) Order batteries separately. See *Batteries* in the ACCESSORY DESCRIPTIONS section. Battery cables and lugs factory provided and connected.
- 3) If an optional battery disconnect circuit breaker is desired, order per *Optional Battery Disconnect Circuit Breaker Kits* in the ACCESSORY DESCRIPTIONS section.

588820200 List 1: Common Equipment, -48V, 23" Battery Rack System

Features

- ◆ Provides the following equipment: (1) nominal 23" wide by 7' tall relay rack, (2) vertical tray mounting brackets, (1) busbar kit with covers, (12) cable lacing brackets, (1) instruction manual, and packaging.
- ◆ Factory assembled per battery trays and optional battery disconnect circuit breakers ordered.

Restrictions

The relay rack accommodates up to six (6) battery trays when spaced 6RU or 7RU apart and five (5) battery trays when spaced 8RU apart. Battery selection determines tray spacing.

Ordering Notes

- 1) Order as required.

588820200 List 2: Common Equipment, -48V, 23" Battery Rack System

Features

- ◆ Provides the following equipment: (1) nominal 23" wide by 6' tall relay rack, (2) vertical tray mounting brackets, (2) busbar kits with covers, (10) cable lacing brackets, (1) instruction manual, and packaging.
- ◆ Factory assembled per battery trays and optional battery disconnect circuit breakers ordered.

Restrictions

The 6-foot relay rack accommodates up to five (5) battery trays when spaced 6RU apart and four (4) battery trays when spaced 7RU or 8RU apart. Battery selection determines tray spacing.

Ordering Notes

- 1) Order as required.

588820200 List 3: Common Equipment, -48V, 23" Battery Rack System

Features

- ◆ Provides the following equipment: (1) nominal 23" wide by 5' tall relay rack, (2) vertical tray mounting brackets, (1) busbar kit with covers, (8) cable lacing brackets, (1) instruction manual, and packaging.
- ◆ Factory assembled per battery trays and optional battery disconnect circuit breakers ordered.

Restrictions

The 5-foot relay rack accommodates up to four (4) battery trays when spaced 6RU apart and three (3) battery trays when spaced 7RU or 8RU apart. Battery selection determines tray spacing.

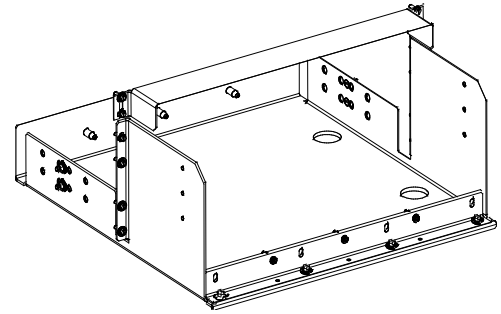
Ordering Notes

- 1) Order as required.

588820200 List 11: Battery Tray, 23" Mount, 22.5" Deep

Features

- ◆ Provides a 22.5" deep battery tray for the nominal 23" wide relay rack provided as part of List 1. The battery tray holds four (4) 12V front terminal valve regulated lead acid (VRLA) batteries. Battery cabling is factory provided and connected to the system's main busbars. Batteries are configured as one (1) 48V string per tray.
- ◆ Trays can be ordered with or without a battery disconnect circuit breaker. When circuit breakers are ordered, one is provided in the -48V lead of each battery string (1 circuit breaker per tray).
- ◆ Refer to the "Physical Size Information" section for dimensions.



Restrictions

Designed to accommodate the batteries listed under *Batteries* in the ACCESSORY DESCRIPTIONS section.

A single battery tray must mount at bottom of relay rack. Multiple battery trays must mount starting at bottom of relay rack and working upward. Factory spaces battery trays 6RU, 7RU, or 8RU apart as determined by battery selected. If no battery selected, factory spaces battery trays 8RU apart.

Cable size for each tray is 2AWG for optional battery disconnect circuit breakers selected up to 150A and 1/0AWG for circuit breakers selected over 150A or if circuit breakers are not selected.

Ordering Notes

- 1) Order quantity of battery trays up to the maximum quantity that can be accommodated in the relay rack per the common equipment selected, as required.
- 2) Order batteries separately. See *Batteries* in the ACCESSORY DESCRIPTIONS section. Battery cables and lugs factory provided and connected.
- 3) If optional front battery covers are desired, order per *Optional Front Battery Covers* in the ACCESSORY DESCRIPTIONS section.
- 4) If an optional battery disconnect circuit breaker is desired, order per *Optional Battery Disconnect Circuit Breaker Kits* in the ACCESSORY DESCRIPTIONS section.

[Home](#)

ACCESSORY DESCRIPTIONS

Batteries

19" Battery Shelf

| Manufacturer* | Manufacturer P/N | Vertiv P/N (12V Module) | Capacity (A-Hr) | Dimension W x L x H (Inches) (per 12V Module) | Min Tray Spacing (RU) | Weight (lb) (per 12V Module) | Lug Kit 2AWG | Lug Kit 1/0AWG |
|---------------|------------------|----------------------------|--------------------|--|-----------------------------|---------------------------------------|-----------------|-------------------|
| Deka | 12AVR100ET | 241270905 | 96 | 4.33 x 20.13 x 9.38 | 6 | 75 | 528234 | 528235 |
| Douglas | DSN12-100F | -- | 100 | 4.24 x 15.59 x 11.30 | 7 | 77.7 | 528234 | 528235 |
| Douglas | DSN12-90F | -- | 88 | 4.24 x 15.59 x 10.04 | 7 | 70.6 | 528234 | 528235 |
| Energys | 12V92F | 122005 | 92 | 4.10 x 16.40 x 10.10 | 7 | 61.7 | 528234 | 528235 |
| Energys | 12VE115F | -- | 101 | 4.33 x 20.10 x 9.25 | 6 | 80.5 | 528234 | 528235 |
| Energys | SBS 100F | -- | 100 | 4.30 x 15.60 x 11.30 | 7 | 71.9 | 528234 | 528235 |
| Energys | SBS C11F | -- | 91 | 4.10 x 16.40 x 10.10 | 7 | 61.6 | 528234 | 528235 |
| Energys | 12V125F | 122009 | 125 | 4.10 x 22.10 x 12.40 | 8 | 124 | 528234 | 528235 |
| FIAMM | 12UMTX100/19FT | -- | 100 | 4.25 x 15.55 x 10.83 | 7 | 74.8 | 528234 | 528235 |
| GNB | M12V105FT | 103715 | 100 | 4.33 x 20.12 x 9.37 | 6 | 78.8 | 528234 | 528235 |
| GNB | M12V90FT | 524858 | 86 | 4.13 x 15.55 x 10.63 | 7 | 68.2 | 528234 | 528235 |
| Northstar | NSB100FT | -- | 100.5 | 4.24 x 15.59 x 11.30 | 7 | 78.5 | 528234 | 528235 |
| Northstar | NSB12-330FT | -- | (330W) | 4.20 x 15.60 x 10.00 | 7 | 70.6 | 528234 | 528235 |
| Northstar | NSB12-380FT | -- | (380W) | 4.20 x 15.60 x 11.30 | 7 | 78.3 | 528234 | 528235 |
| Northstar | NSB90FT | -- | 87.8 | 4.24 x 15.59 x 10.04 | 7 | 70.6 | 528234 | 528235 |

* See [Battery Manufacturer Information](#)

[Home](#)

23" Battery Shelf

| Manufacturer* | Manufacturer P/N | P/N (12 V Module) | Capacity (A-Hr) | Dimension W x L x H (Inches) (per 12 V Module) | Min Tray Spacing (RU) | Weight (lb) (per 12V Module) | Lug Kit 2 AWG | Lug Kit 1/0 AWG |
|---------------|------------------|----------------------|--------------------|---|-----------------------------|---------------------------------------|------------------|--------------------|
| C&D | TEL12-160F | 140456 | 157 | 5.0 x 22.0 x 11.10 | 7 | 116.8 | 528236 | 528237 |
| C&D | TEL12-180F | -- | 181 | 5.0 x 22.0 x 12.60 | 8 | 132.3 | 528236 | 528237 |
| C&D | TEL12-210F | 554579 | 202 | 5.0 x 22.0 x 12.60 | 8 | 132.3 | 528236 | 528237 |
| Deka | 12AVR-150ET | 122018 | 150 | 4.90 x 22.00 x 11.75 | 8 | 115 | 528234 | 528235 |
| Deka | 12AVR-170ET | 541381 | 170 | 4.90 x 22.0 x 12.60 | 8 | 120 | 528234 | 528235 |
| Deka | HT170ET | -- | 164 | 4.93 x 22.17 x 12.58 | 8 | 118 | 528234 | 528235 |
| Energys | 12V155FS | 122010 | 155 | 4.90 x 22.10 x 11.10 | 7 | 106.9 | 528234 | 528235 |
| Energys | 12V170FS | -- | 170 | 4.90 x 22.10 x 11.10 | 7 | 112 | 528234 | 528235 |
| Energys | SBS 170F | -- | 170 | 4.92 x 22.10 x 11.10 | 7 | 116 | 528234 | 528235 |
| Energys | SBS 190F | -- | 190 | 4.90 x 22.10 x 12.40 | 8 | 132 | 528234 | 528235 |
| FIAMM | 12FAT100 | -- | 100 | 4.96 x 21.97 x 9.06 | 6 | 95 | 528234 | 528235 |
| FIAMM | 12FAT155 | -- | 155 | 4.96 x 21.97 x 12.64 | 8 | 129 | 528234 | 528235 |
| FIAMM | 12FAT180 | -- | 100 | 4.96 x 21.97 x 12.64 | 8 | 134 | 528234 | 528235 |
| FIAMM | 12FAT181 | -- | 180 | 4.96 x 21.97 x 12.64 | 8 | 130 | 528234 | 528235 |
| Northstar | NSB155FT RED | -- | 155 | 4.90 x 22.0 x 11.00 | 7 | 101 | 528234 | 528235 |
| Northstar | NSB170FT RED | 126111 | 170 | 4.90 x 22.00 x 12.60 | 8 | 116 | 528234 | 528235 |
| Northstar | NSB190FT RED | -- | 190 | 4.90 x 22.00 x 12.60 | 8 | 123 | 528234 | 528235 |
| Northstar | NSB155FT HT | -- | 154 | 4.90 x 22.00 x 11.0 | 7 | 117 | 528234 | 528235 |
| Northstar | NSB170FT HT | -- | 174 | 4.90 x 22.00 x 12.60 | 8 | 121 | 528234 | 528235 |
| Northstar | NSB190FT HT | -- | 190 | 4.90 x 22.00 x 12.60 | 8 | 132 | 528234 | 528235 |
| GS Yuasa | PYL12V160FT | -- | 160 | 4.90 x 21.90 x 11.0 | 7 | 116.2 | 528234 | 528235 |
| GS Yuasa | PYL12V185FT | -- | 185 | 4.90 x 21.90 x 12.50 | 7 | 133.8 | 528234 | 528235 |

* See [Battery Manufacturer Information](#)

Optional Front Battery Cover Kits

Features

- ◆ Provides a front battery cover to the battery tray.

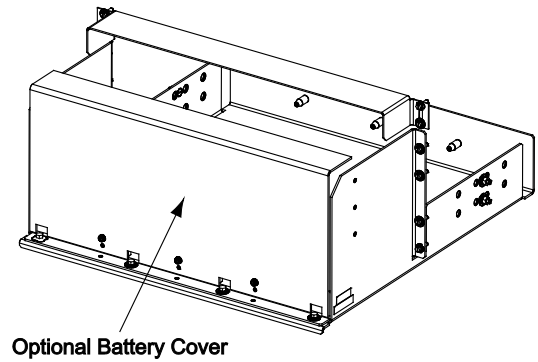
Restrictions

For 23" battery trays only.

Ordering Notes

- 1) Order one (1) kit per tray, as required, from the following table.

| Part Number | Height |
|-------------|--------|
| 562128 | 8U |
| 562053 | 7U |
| 562145 | 6U |



Optional Battery Disconnect Circuit Breaker Kits

Features

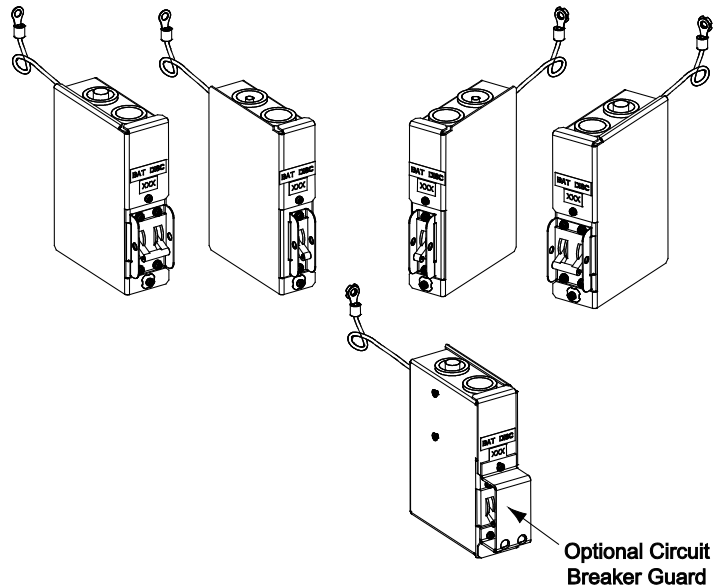
- ◆ Provides a battery disconnect circuit breaker housing mounted on the left or right side of the battery tray. Selected circuit breaker factory installed and wired.

Restrictions

Factory wires Battery Rack System with 2AWG cables for battery disconnect circuit breakers selected up to 150A and 1/0AWG cables for circuit breakers selected over 150A.

Ordering Notes

- 1) Order one (1) kit per tray, as required, from the following table. Also order an optional circuit breaker guard per circuit breaker if desired.



| Part Number | Description | Circuit Breaker Guard |
|-------------|---------------------------------|-----------------------|
| 559813 | Single Pole, Right Side Mounted | not available |
| 559814 | Single Pole, Left Side Mounted | |
| 559815 | Double Pole, Right Side Mounted | 548014 |
| 559816 | Double Pole, Left Side Mounted | |

- 2) Order one (1) circuit breaker per tray from the following table.

| Ampere Rating | P/N Electrical/Mechanical Trip ¹ (Black Handle) | No. of Poles |
|---------------|--|--------------|
| 30 | 256693100 | 1-Pole |
| 35 | 256693500 | |
| 40 | 256693900 | |
| 50 | 256694300 | |
| 60 | 256694700 | |
| 70 | 256695100 | |
| 75 | 256695500 | |
| 100 | 256695900 | |
| 125 | 100765 | 2-Pole |
| 150 | 100763 | |
| 200 | 121810 | |

Circuit Breaker Alarm Operation:

¹Provides an alarm during an electrical or manual trip condition.

SPECIFICATIONS

- 1.1 Environmental Ratings
 - 1.1.1 Operating Ambient Temperature Range: 0°C to +40°C (+32°F to +104°F).
 - 1.1.2 Storage Ambient Temperature Range: -40°C to +85°C (-40°F to +185°F).
 - 1.1.3 Humidity: This system is capable of operating in an ambient relative humidity range of 0% to 95%, non-condensing.
 - 1.1.4 Altitude:
 - (A) Operating: -200 feet (-61 meters) to 10,000 feet (3048 meters). Derate operating ambient temperature range by 2°C per 1000 feet (305 meters) above 5000 feet (1524 meters).
 - (B) Storage and Transportation: -1,000 feet (-305 meters) to 50,000 feet (15,241 meters).
 - 1.1.5 Mounting: This equipment is intended only for installation in a Restricted Access Location on or above a non-combustible surface.
 - 1.1.6 Aisle Space Clearance: Recommended minimum aisle space clearance is 2'6" for the front of the Battery Rack System and 4" for the rear of the Battery Rack System.
- 1.2 Compliance Information
 - 1.2.1 Safety Compliance: This power board is UL Listed as a DC Power Distribution Center for Communications Equipment. This unit meets the requirements of CSA 22.2, No. 225 and is tested and Certified by UL ("c UL") as a Custom Built Power Distribution Center for Communications Equipment.
 - 1.2.2 Seismic Compliance: NEBS Zone 4 Earthquake compliant when equipped with four (4) or fewer battery trays.

[Home](#)

MECHANICAL SPECIFICATIONS

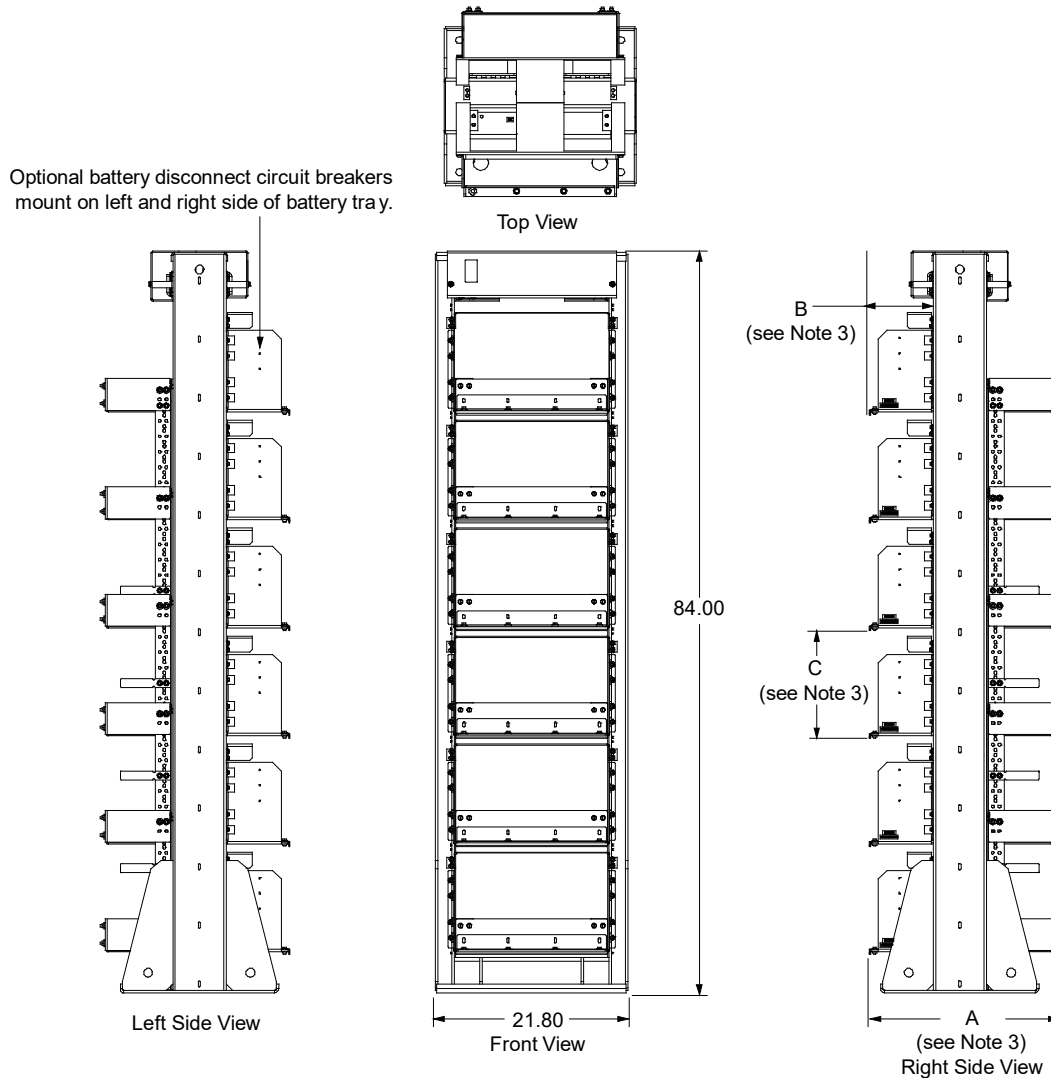
Overall Dimensions – 588820100 List 1 with List 10, List 11 or List 12

Notes:

1. Dimensions are in inches.
2. P/N 565381 battery tray shown, P/N 565376 similar.
- 3.

| List No. | Tray P/N | Tray Overall Dimensions | Weight (LBS) | | Dimensions | | |
|----------------------|----------|----------------------------|---------------------------|------------------------------|------------|------|-----|
| | | | w/ Circuit Breaker Option | w/out Circuit Breaker Option | A | B | C |
| 588820100 List 10 | 565376 | 19" Mounting 16.5" Deep | | | 16.5 | 7.29 | 7RU |
| 588820100 List 11 | 565381 | 19" Mounting 21" Deep | | | 21.0 | 7.29 | 6RU |
| 588820100 List 12 | 565384 | 19" Mounting 22" Deep | | | 22.35 | 7.29 | 8RU |

4. Finish: Dark Gray
5. Maximum trays available per rack is six (6) for 6RU or 7RU, five (5) for 8RU.



[Home](#)

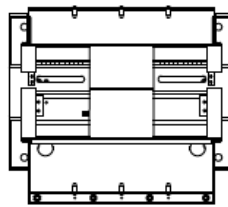
Overall Dimensions – 58820200 List 1, List 2, List 3 with List 11

Notes:

1. Dimensions are in inches.
- 2.

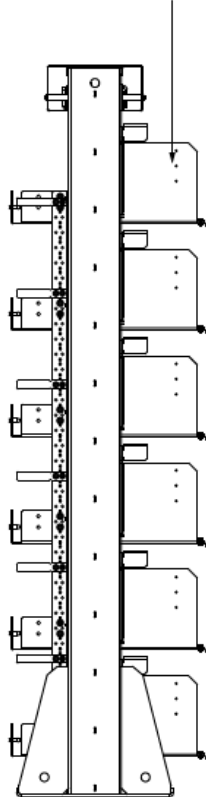
| List No. | Tray P/N | Tray Overall Dimensions | Weight (LBS) | | Dimensions (in) | | |
|-----------------|----------|----------------------------|---------------------------|------------------------------|-----------------|---------------------------|-----------------|
| | | | w/ Circuit Breaker Option | w/out Circuit Breaker Option | A | C | Height (Rack) D |
| 58820200 List 1 | 565398 | 23" Mounting 22.5" Deep | 276.5 | 275 | 22.5 | 6RU, 7RU, or 8RU | 84 |
| 58820200 List 2 | | | 251.5 | 250 | | | 72 |
| 58820200 List 3 | | | 228.5 | 227 | | | 60 |

3. Finish: Dark Gray

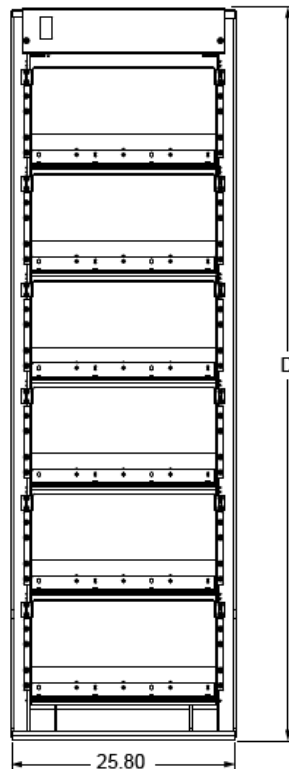


Top View

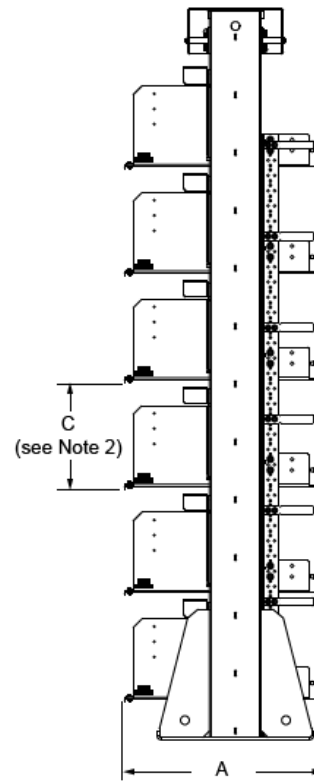
Optional battery disconnect circuit breakers mount on left or right side of battery tray.



Left Side View



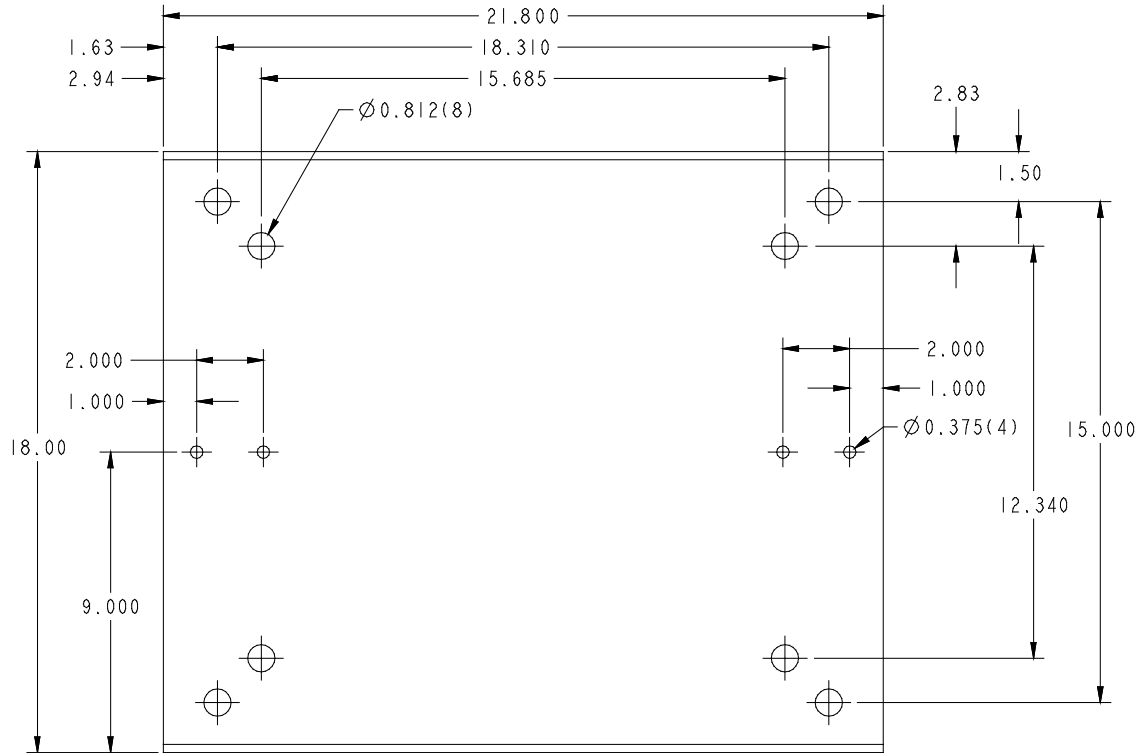
Front View



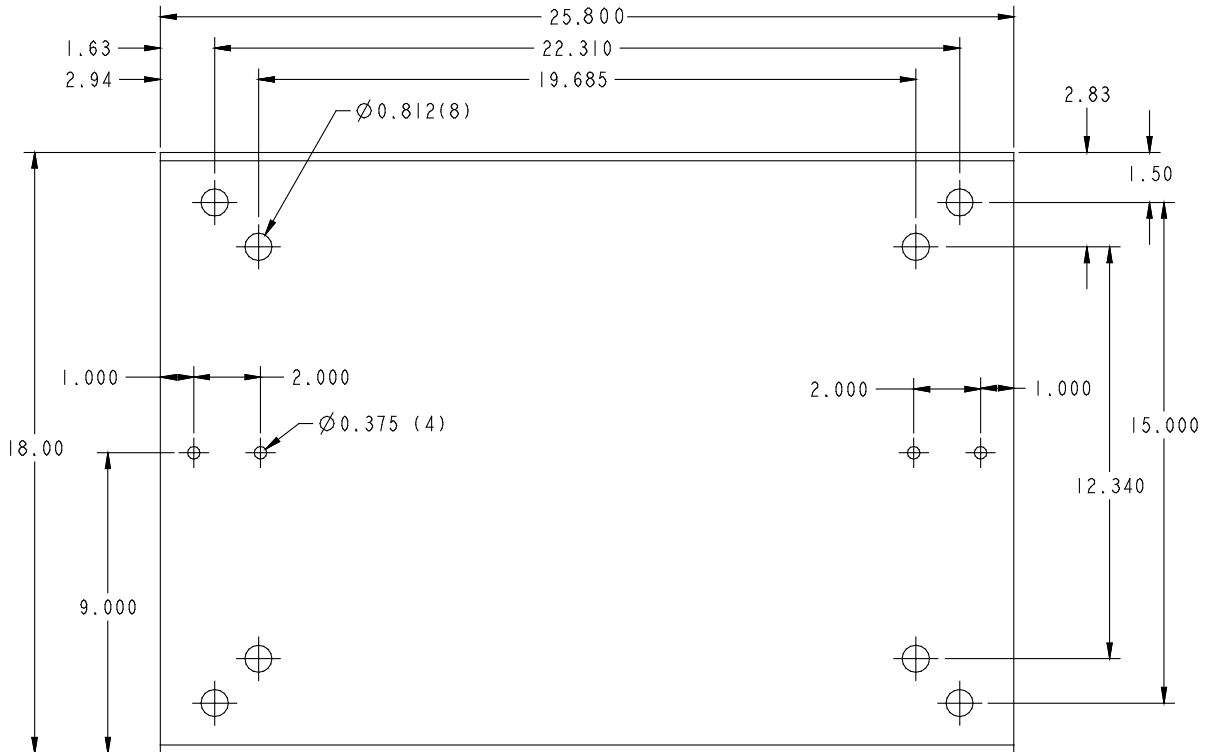
Right Side View
 (see Note 2)

[Home](#)

Floor Mounting Dimensions - 588820100



Floor Mounting Dimensions - 588820200



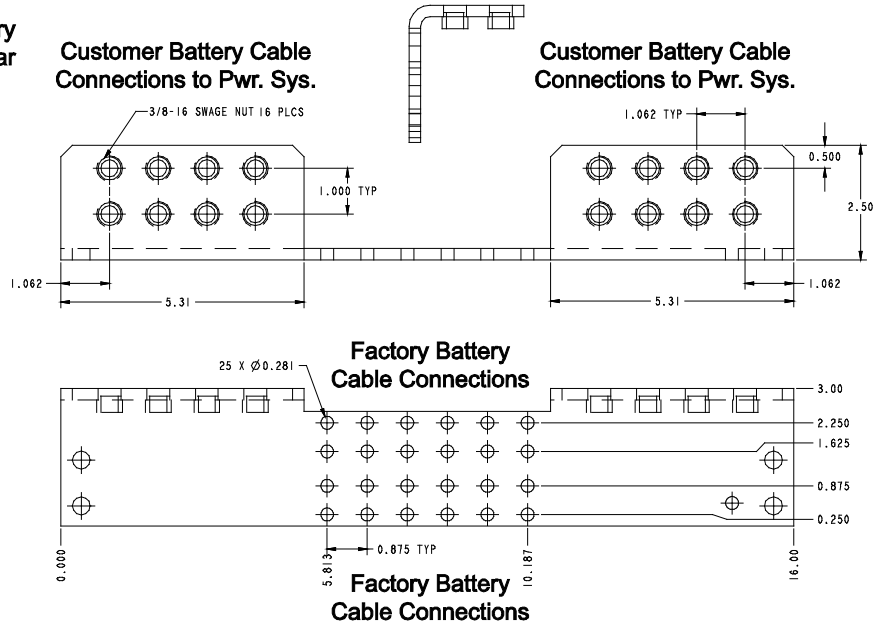
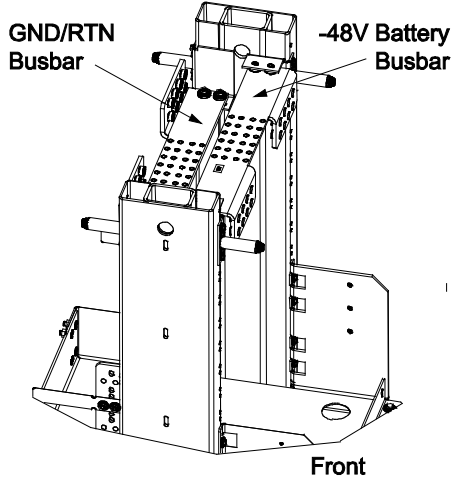
Battery Lug Landing Dimensions – 588820100 and 588820200

588820100

Top of Relay Rack

(some components removed for clarity)

-48V Battery and GND/RTN Busbars

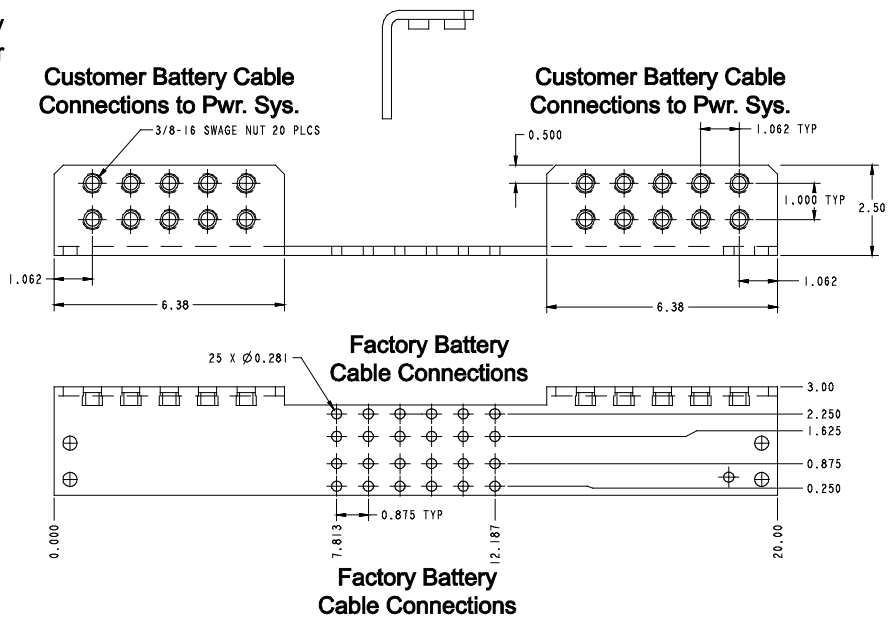
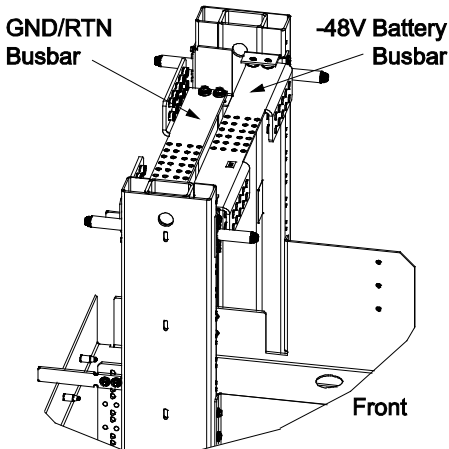


588820200

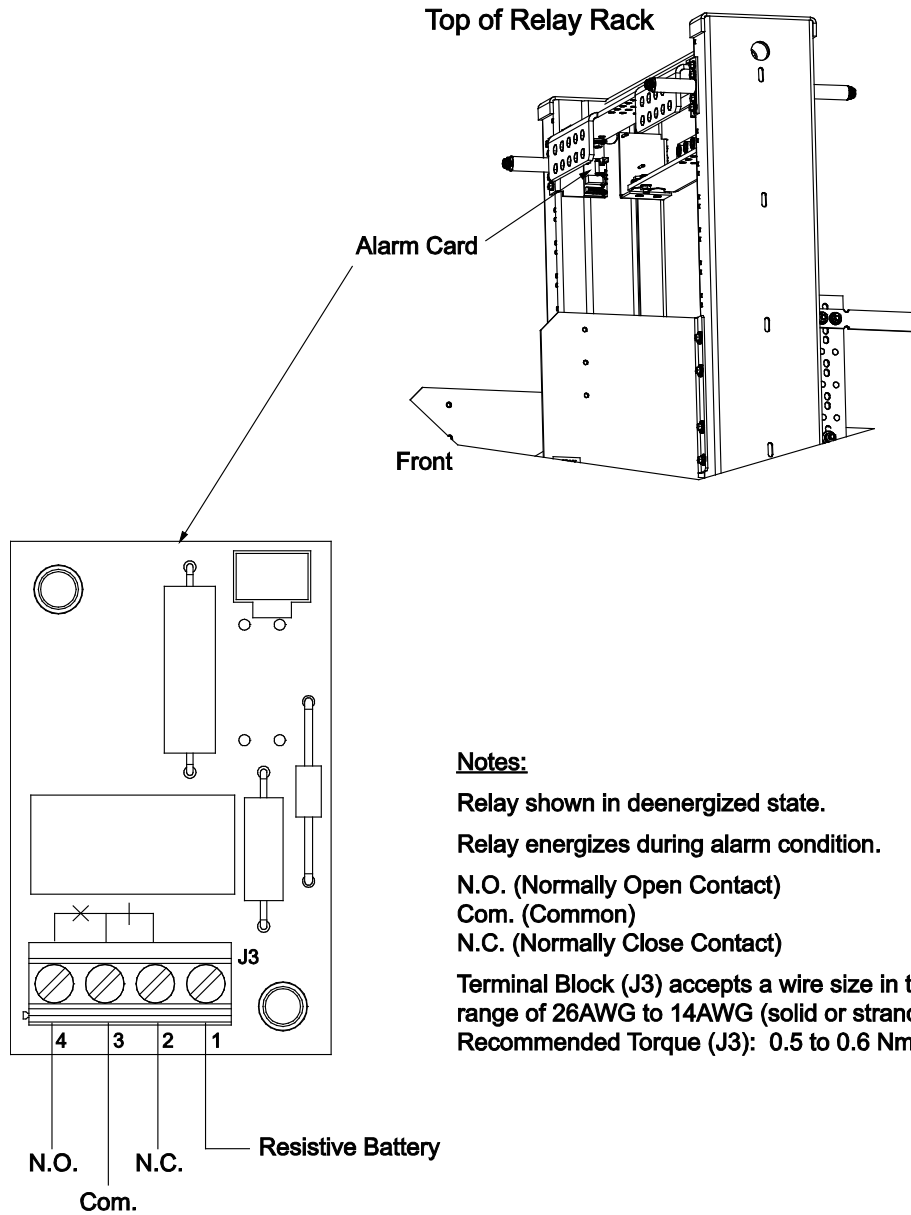
Top of Relay Rack

(some components removed for clarity)

-48V Battery and GND/RTN Busbars



Circuit Breaker Alarms



[Home](#)

BATTERY MANUFACTURER INFORMATION

The Battery Rack Systems described in this System Application Guide are designed to accommodate batteries from various manufacturers. The following are referenced in this document.

C&D: C&D Technologies, Inc., Powercom Div., 1400 Union Meeting Road, Blue Bell, PA 19422-0858

Deka: East Penn Mfg. Co., Inc., Lyon Station, PA 19536-0147

Douglas: Douglas Battery Mfg. Co., 500 Battery Dr., Winston-Salem, NC 27117-2159

Fiamm: FIAMM T.I., 23880 Industrial Park Drive, Farmington Hills, Detroit, MI 48335

GNB Marathon™: GNB Industrial Power, a Division of Exide Technologies, Princeton, NJ 08543

Northstar: NorthStar Battery Co. LLC, 4000 Continental Way, Springfield, MO 65803

PowerSafe EnerSys™: EnerSys Inc., Reading, PA, 196212-4145

RELATED DOCUMENTATION

Schematic Diagram: SD588820100/SD588820200

Wiring Diagram: T588820100/T588820200

Instructions: Section 6045

[Home](#)

REVISION RECORD

| Revision | Change Number (ECO) | Description of Change | Date | Approved |
|----------|---------------------|--|------------|----------------|
| AA | LLP213933 | New | 9/8/2010 | John Jasko |
| AB | LLP214943 | Temp. rating revised. NEBS statement removed. Optional circuit breaker guard added. Optional front battery covers added. | 2/3/2011 | John Jasko |
| AC | LLP215895 | Added battery tray P/N 548219 as 588820100 List 12 option. | 10/18/2011 | Shanon Ravacio |
| AD | LLP217617 | Additional battery part number added to battery table. | 09/18/2012 | John Jasko |
| E | LLP221163 | Battery P/N for 12AVR100ET corrected in 19" battery shelf table. | 11/12/2014 | John Jasko |
| F | LLP222957 | Battery tray dimension corrected for 588820200. | 05/05/2016 | John Jasko |
| G | LLP223817 | Rebranded Vertiv. | 04/25/2017 | John Jasko |
| H | LLP224142 | Added 588820200 List 02 and 588820200 List 03 options. | 07/28/2017 | Mitch Emata |
| J | LLP224352 | Document converted to latest Vertiv format. | 09/27/2017 | John Jasko |
| K | LLP225243 | Updated 23" Battery Chart Lug Kit list for the TEL12-160F and TEL12-180F | 09/12/2018 | Mark Jamisola |
| L | LLP225679 | Added six- and five-foot relay racks to the 588820200 battery rack system. | 03/18/2019 | Mitch Emata |
| M | CO-1003782 | Modified the 23" Battery Shelf table. | 11/27/2019 | Mitch Emata |

Vertiv.com | Vertiv Headquarters, 1050 Dearborn Drive, Columbus, OH, 43085, USA

© 2019 Vertiv Group Corp. All rights reserved. Vertiv and the Vertiv logo are trademarks or registered trademarks of Vertiv Group Corp. All other names and logos referred to are trade names, trademarks or registered trademarks of their respective owners. While every precaution has been taken to ensure accuracy and completeness herein, Vertiv Group Corp. assumes no responsibility, and disclaims all liability, for damages resulting from use of this information or for any errors or omissions. Specifications are subject to change without notice.

This document may contain confidential and/or proprietary information of Vertiv Group Corp., and its receipt or possession does not convey any right to reproduce, disclose its contents, or to manufacture or sell anything that it may describe. Reproduction, disclosure, or use without specific authorization from Vertiv Group Corp. is strictly prohibited.

