

KEY FEATURES

- Lift-off dome permits 360° access to all wirework and equipment.
- Short self-supporting split base with or without snap-on mounting stake for added stability.
- “Slide and secure” mounting plate easily locks into base, simplifying installation.
- Universal mounting plate hole pattern accepts all types of terminal blocks and provides greater mounting space.
- Removable service wire channel for greater capacity needs.
- Entry port above bottom edge prevents loss of gravel in the base.
- Seamless integral flood dome protects wirework from flood submersion; no joint worries.
- Service drops are routed from the service channel, to the bond bracket, to the block, for efficient wire management.
- Single point self-locking cover provides security.
- Meets or exceeds RUS requirements

Description

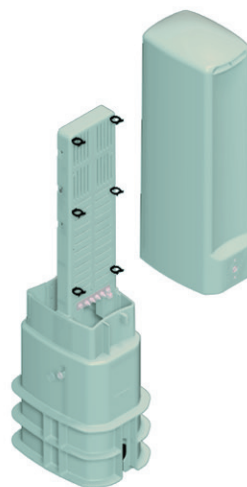
The Vertiv™ BBE PRO Series is the premier line of non-metallic pedestals from Vertiv. These pedestals incorporate strength, rigidity and security all in a high performance thermo-plastic material designed to Telcordia GR-13 CORE specifications.

The PRO Series pedestal provides the most craft-friendly design presently on the market. Optimal working space is ensured for splicing, bonding and grounding, terminal block attachment, service wire entry, conduit placement, and wire grooming and management. Further the PRO pedestal provides simplified installation through its split/rehab base design, slide and secure mounting plate assembly, and self-latching dome accommodate varying soil conditions ProFORM is available in a self-supporting short base or a snap-on mounting stake. Supplemental mounting stakes are also available if additional stability is required.

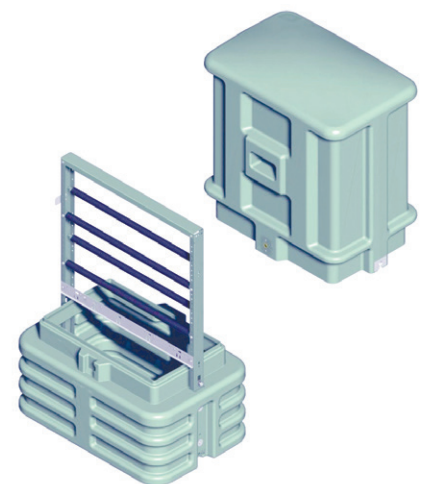
The PRO pedestal's unique shape provides superior splicing capacity, to better secure open wire bundles and/or wirework enclosures. Its shape also provides improved aesthetics over competitive plastic pedestals, for a “less industrial” appearance.

Application

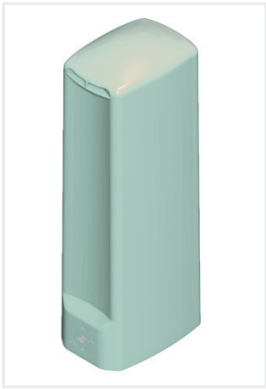
Vertiv BBE PRO Series pedestals are ideal for applications where non-metallic construction, flood protection, or 360° access is desired. These pedestals can be configured for buried distribution telecommunications equipment, including splice and splice/fixed count termination applications.



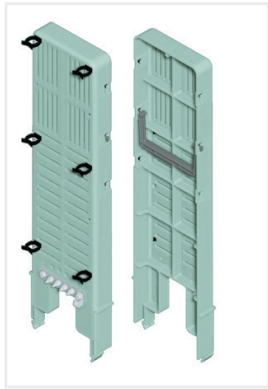
PRO8
Short Self-Supporting Base



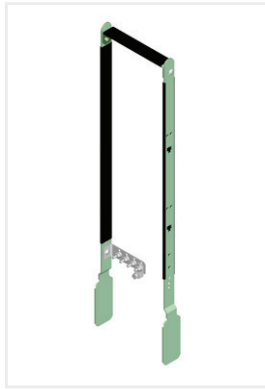
PRO1830
Splice Pedestal



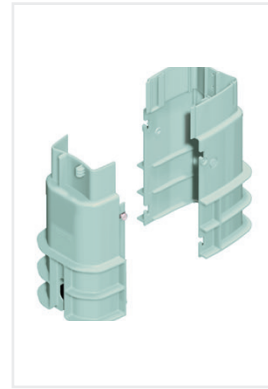
Dome



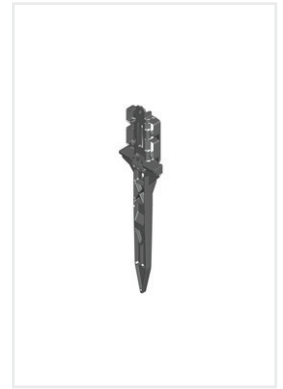
Mounting Plate



C-Bracket



Short Split/Rehab Base



Snap-On Stake

Dome

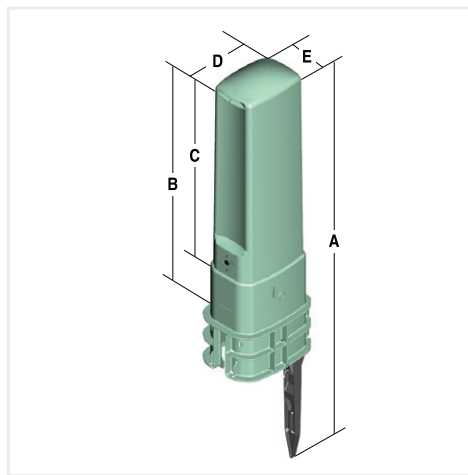
- Single point self-locking
- Integral flood protection available
- Increased splice capacity
- Lift-off handles

Mounting

- “Slide and secure” snap in ease
- Universal mounting pattern
- Wire grooming
- Bonding flexibility
- High capacity splice ladder
- Secure splice ladder snap
- “C” bracket option (PRO6 and 8 only)

Base

- Short self supporting split/rehab base
- Snap-on stake (optional) / integral spade base
- Tool-less installation
- In ground stability
- Multiple mounting positions
- Molded in ground line
- Removable front access service wire channel
- Temporary service grommets



Short Self-Supporting Base
Shown with Snap-On Stake

Dimensions

CATALOG NUMBER	A	B	C	D	E
Short Self-Supporting Base					
Pro6	45-in.	35-in.	30-in.	9-in.	6.5-in.
Pro8	45-in.	35-in.	30-in.	10.5-in.	8-in.
Pro10	45-in.	35-in.	30-in.	12-in.	10.8-in.
Pro12	45-in.	35-in.	30-in.	14.5-in.	11.5-in.
Pro14	51-in.	38-in.	36-in.	17.7-in.	17.7-in.
Pro1420	51-in.	38-in.	36-in.	23.6-in.	17.6-in.
Pro1830	51-in.	38-in.	36-in.	33.8-in.	21.8-in.
Snap-On Stake/Integral Spade Base					
Pro6	65-in.	35-in.	30-in.	9-in.	6.5-in.
Pro8	65-in.	35-in.	30-in.	10.5-in.	8-in.
Pro10	65-in.	35-in.	30-in.	12-in.	10.8-in.
Pro12	60-in.	35-in.	30-in.	14.5-in.	11.5-in.

* Height of enclosure above ground.

Ordering Information

CATALOG	PART	DESCRIPTION
PRO6HIRNG	F1004818	6-in. non-metallic split-base pedestal with snap-on stake and mounting plate
PRO6HSRNG	F1004819	6-in. non-metallic split-base pedestal with mounting plate
PRO6HICNG	F1004816	6-in. non-metallic split-base pedestal with snap-on stake and "C" bracket
PRO6HSCNG	F1004817	6-in. non-metallic split-base pedestal with "C" bracket
PRO6HISNG	F1005455	6-in. non-metallic split-base pedestal with snap-on stake and splice bracket
PRO6HSSNG	F1005456	6-in. non-metallic split-base pedestal with splice bracket
PRO6HSRNGE	F1006563	6-in. non-metallic split base pedestal, empty
PRO8HIRNG	F1005007	8-in. non-metallic split-base pedestal with snap-on stake and mounting plate
PRO8HSRNG	F1005008	8-in. non-metallic split-base pedestal with mounting plate
PRO8HICNG	F1005005	8-in. non-metallic split-base pedestal with snap-on stake and "C" bracket
PRO8HSCNG	F1005006	8-in. non-metallic split-base pedestal with "C" bracket
PRO8HIRNGE	F1006564	8-in. non-metallic split base pedestal with snap-on stake, empty
PRO8HSRNGE	F1006565	8-in. non-metallic split base pedestal, empty
PRO10HIRNG	F1005011	10-in. non-metallic split-base pedestal with snap-on stake and mounting plate
PRO10HSRNG	F1005012	10-in. non-metallic split-base pedestal with mounting plate
PRO10HIRNGE	F1006527	10-in. non-metallic split base pedestal with snap-on stake, empty
PRO10HSRNGE	F1006528	10-in. non-metallic split base pedestal, empty
PRO12HIRNG	F1005015	12-in. non-metallic split-base pedestal with integral spade and mounting plate
PRO12HSRNG	F1005016	12-in. non-metallic split-base pedestal with mounting plate
PRO12HSRNGE	F1006530	12-in. non-metallic split base pedestal, empty
PRO14	F1007436	14-in. x 14-in. non-metallic flood protected pedestal with (2) splice bars
PRO1420	F1006909	14-in. x 20-in. non-metallic flood protected pedestal with (4) splice bars
PRO1830	F1006910	18-in. x 30-in. non-metallic flood protected pedestal with (4) splice bars
PRO14NVNT	F1010216	14-in x 14in non-metallic pedestal w/mounting plate
OPFOP14	F1011026	14in x 14in non-metallic pedestal with fiber/mounting brackets
OPFOP1420	F1007747	14in x 20in non-metallic pedestal with fiber/mounting brackets
OPFOP1830	F1007746	18in x 30in non-metallic pedestal with fiber/mounting brackets

NOTE: Minimum order quantities apply

Accessories (Mounting Stakes)

CATALOG	PART NUMBER	DESCRIPTION	UOM	MOQ STD. PACKAGE
MS1332	F602132	32-in. pedestal mounting stake	Each	10
MS1342	F604080	42-in. pedestal mounting stake	Each	10
PROSPADE	F1008603	Non-metallic snap-on stake for Pro6, Pro8 and Pro10 size only	Each	10
PRO1418MTGPLT	F1007411	Mounting plate for PRO14, 1420 and 1830 pedestals		
OPFOP14BKTKIT	F1011027	Mounting bracket kit to convert existing PRO14 to OPFOP		
FOPFOP1420BKTKIT	F1011028	Mounting bracket kit to convert existing PRO1420 to OPFOP		
OPFOP1830BKTKIT	F1011029	Mounting bracket kit to convert existing PRO1830 to OPFOP		

Specifications

PEDESTAL SERIES	SPLICING VOLUME	SPLICE CAPACITY	SPLICE CONNECTIONS	TERMINAL BLOCK CAPACITY	SERVICE WIRE CHANNEL CAPACITY	CONDUIT CAPACITY
Pro6	560 cu in.	400 pair	800	1	10-5 pair drops	One 4-in. & two 2-in.
Pro8	960 cu in.	600 pair	1200	2	10-5 pair drops	Two 4-in.
Pro10	1680 cu in.	900 pair	1800	2	12-5 pair drops	Four 4-in.
Pro12	3000 cu in.	1500 pair	3000	3	16-5 pair drops	Four 4-in. & two 2-in.
Pro14	5700 cu in.	2500 pair	5000	3	N/A	Nine 4-in.
Pro1420	7600 cu in.	3000 pair	6000	4	N/A	Twelve 4-in.
Pro1830	14,000 cu in.	5000 pair	10,000	6	N/A	Twenty-four 4-in.

NOTE: Total number of pairs spliced is dependant on connector use and local practice.