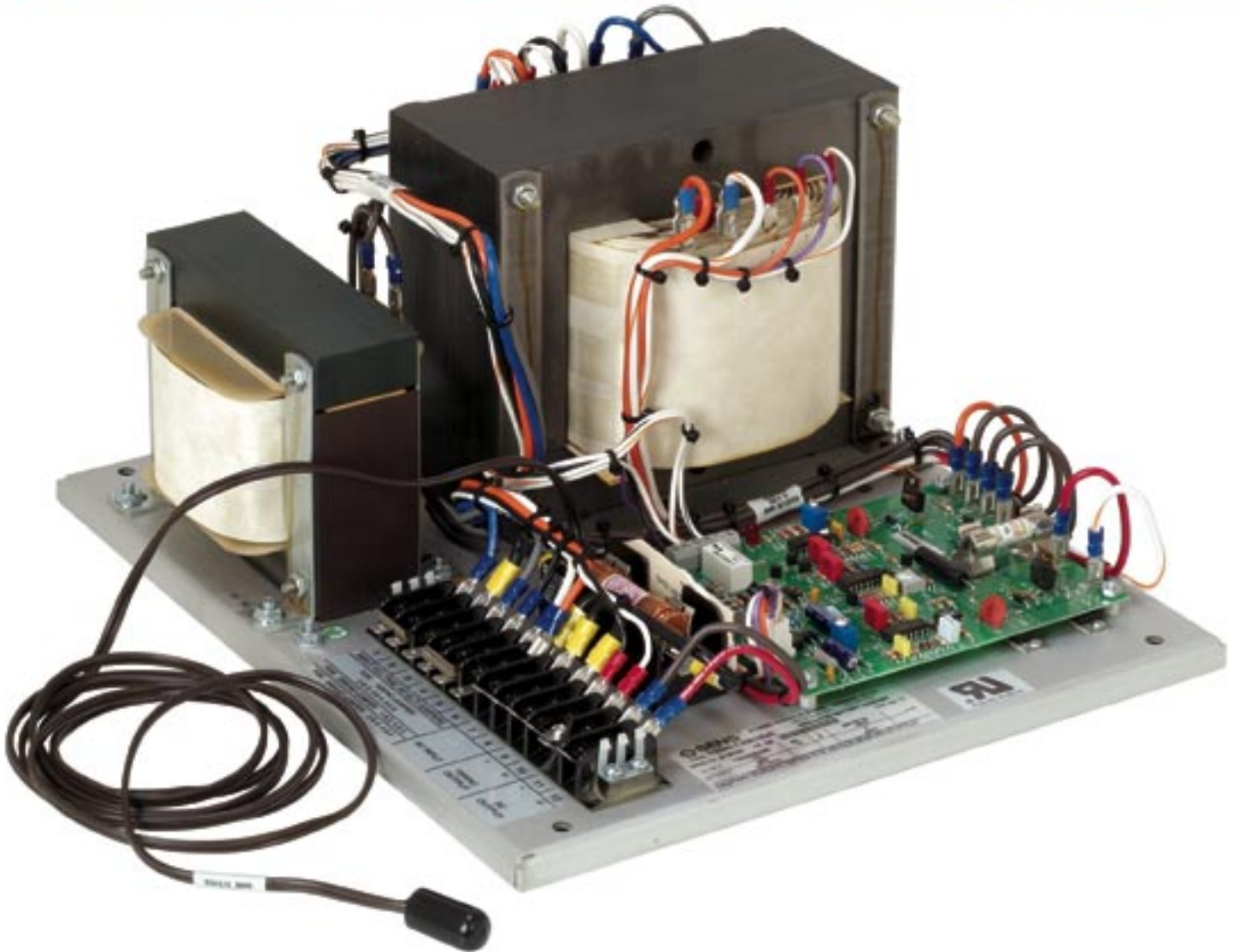


TD

Battery Charger For Extended Run-Time UPS



Reliable Field Configurable Open-Frame Charger

- **Compact open frame design** – fits in space limited cabinets
- **Temperature compensation** – eliminates the No. 1 cause of battery failure
- **UL recognized** – ideal for OEM applications
- **Precision electronic control** – provides accurate charging
- **Flexible outputs** – support any battery 48V to 240 VDC nominal
- **Rugged design** – proven in a wide range of applications



TD Charger Specifications

AC input

Field selectable 120/208/240 VAC, 60 Hz standard. 220/230/240 VAC, 50/60 Hz optional

Charging characteristics

Constant voltage, current limited charging with voltage regulation maintained to within $\pm 1\%$ of the correct temperature compensated value. Remote battery temperature sensor is standard.

Output voltage adjustment

Chargers adjust for battery nominal voltages shown below. Typical float voltage is 13% above nominal voltage

TD Charger Ordering Information

Nominal Battery Voltage	3A Charger Model Number	5A Charger Model Number	7A Charger Model Number
36, 48	TD48-3-MA10UC	TD48-5-MA10UC	TD48-7-MA10UC
60, 72	TD72-3-MA10UC	TD72-5-MA10UC	TD72-7-MA10UC
85, 96, 108, 120	TD120-3-MA10UC	TD120-5-MA10UC	TD120-7-MA10UC
132, 144, 156, 168	TD168-3-MA10UC	TD168-5-MA10UC	TD168-7-MA10UC
180, 192, 204, 216, 228, 240	TD240-3-MA10UC	TD240-5-MA10UC	TD240-7-MA10UC

Indication

Indication of normal operation is provided by an auxiliary relay supplying 120 VAC

Environmental

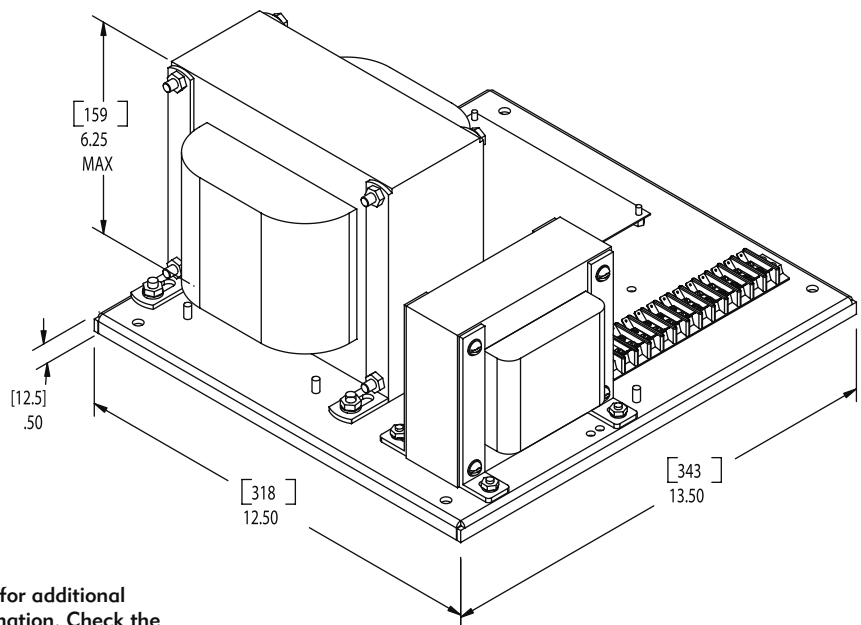
-10C to +50C operating temperature, 5% to 95% humidity, non-condensing

Mechanical/Construction

Open frame design with clear anodized aluminum baseplate. Unit may be mounted in any configuration including inverted

Agency Compliance

60 Hz units UL recognized



Additional Information

Contact SENS or your local sales representative for additional specification, engineering and installation information. Check the SENS web site for latest available data. Specification is subject to change without notice.



Contact Information

For information and service on any SENS product, please contact us at:
 Sales 1.866.736.7872 • 303.678.7500 • Fax 303.678.7504
 www.sens-usa.com • info@sens-usa.com
 1840 Industrial Circle, Longmont, CO 80501 USA

