



# PYL12V160FT 12V 160Ah-8Hr

HIGH TEMPERATURE SUPER LONG LIFE  
BATTERY with *HT Element X Alloy™*

## TECHNICAL DATA SHEET



### HIGH TEMPERATURE LONG LIFE DESIGN

- + *HT Element X Alloy™* extends life in high temp applications
- + Additives to maintain compression
- + Designed to control charging current as temperature increases
- + No thermal runaway
- + Epoxy sealed terminals to prevent post leaks
- + Rugged ABS cases to minimize handling damage

### 10+ YEAR DESIGN LIFE

- + Exceeds Telcordia GR-1200 criteria
- + Greater than 5 years at 35°C

### COMPLIANCE

- + VZ TPR-9802
- + GR-4228
- + GR-1089
- + GR-63 NEBS

### SAFETY

- + UL 94V-0
- + UL 1989

## SPECIFICATIONS

MODEL	NOMINAL VOLTAGE (V)	*RATED CAPACITY at 8 Hr (Ah)	** OPERATING RANGE	L		W		H		TH		WEIGHT		TERMINAL
				mm	in.	mm	in.	mm	in.	mm	in.	kg	lbs.	
PYL12V160FT	12	160	-40 to 65°C (-40 to 149°F)	556	21.9	125	4.9	280	11.0	280	11.0	52.7	116.2	Front-M6 Bolt Top-M8 Bolt

\*Maximum Charge Current is 25% of the 8 Hr. Rate

\*\*Refer to Product Manual for optimum temperature range

### AMPERES TO FINAL VOLTAGE: 1.75V@25°C (77°F)

MODEL	DISCHARGE TIME (Hr)										
	2	3	4	5	6	7	8	9	10	12	20
PYL12V160FT	62.6	44.7	35.1	29.2	25.2	22.2	20.0	18.1	16.6	14.1	8.9

### WATTS TO FINAL VOLTAGE: 1.75V@25°C (77°F)

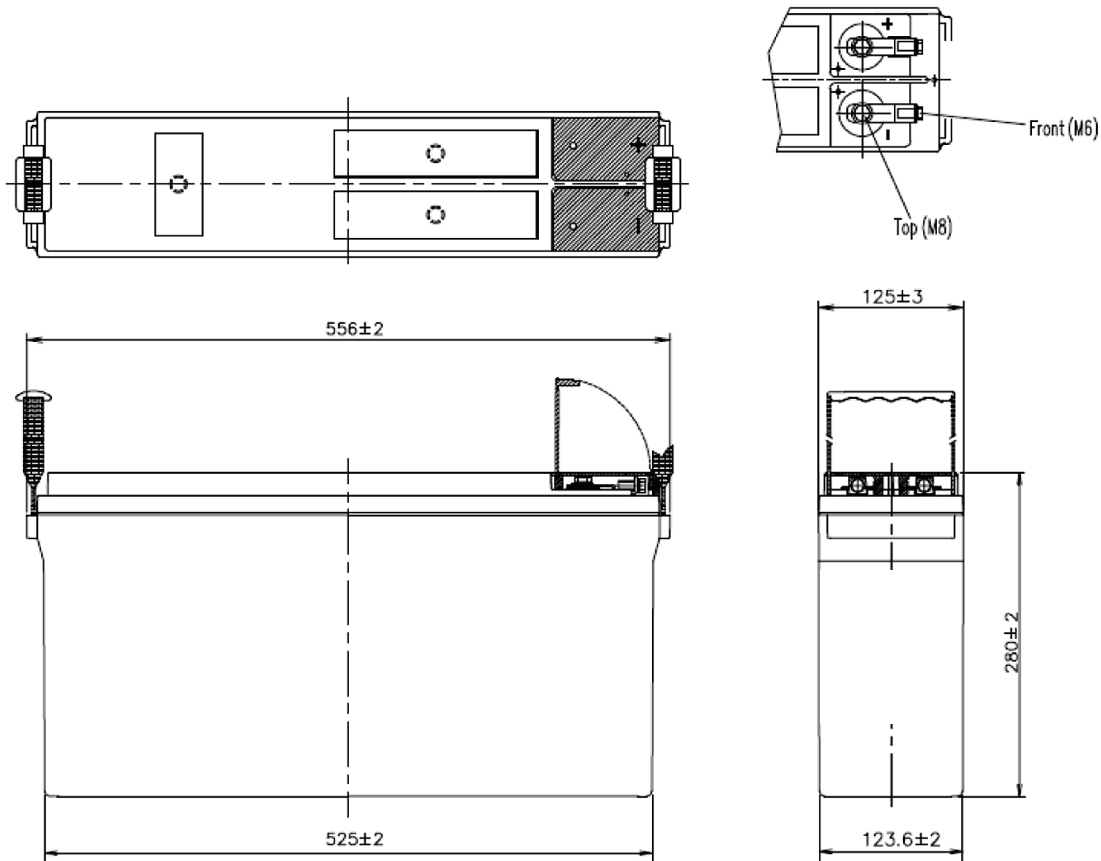
MODEL	DISCHARGE TIME (Hr)										
	2	3	4	5	6	7	8	9	10	12	20
PYL12V160FT	739	526	414	343	296	260	234	212	194	165	104



# PYL12V160FT 12V 160Ah-8Hr

HIGH TEMPERATURE SUPER LONG LIFE  
BATTERY with *HT Element X Alloy™*

units: mm



- Float Charge Voltage:  $13.65 \pm 0.15$  @  $25^{\circ}\text{C}$
- Temperature Compensation: Adjust float charge voltage  $+3\text{mV}/^{\circ}\text{C}/\text{cell}$  for temperatures  $<25^{\circ}\text{C}$ ;  $-3\text{mV}/^{\circ}\text{C}/\text{cell}$  for temperatures  $>25^{\circ}\text{C}$ .
- Internal Resistance: Approximately  $3.5\text{m}\Omega$  measured with 1kHz AC bridge
- Terminal Hardware Torque: (Top, 8mm): 90 in-lbs. (10.17 Nm)  
(Front, 6mm): 43.4 in-lbs. (4.9 Nm)

## ABOUT GS YUASA ENERGY SOLUTIONS, INC.

GS Yuasa Energy Solutions, Inc. is an American subsidiary of GS Yuasa Corporation, the world's second largest battery company and a 100+ year old Japanese corporation. GS Yuasa Energy Solutions (GYES) was formed in 2019 to address the growing energy storage and reserve power markets. GYES brings together and leverages GS Yuasa Group's advanced technologies with proven American market successes in lithium, telecom, UPS, alarm & security, and energy storage into a single business unit.



GS Yuasa Energy Solutions, Inc.  
1150 Northmeadow Pkwy. Suite 110  
Roswell, GA 30076 (800) 472-2879  
[www.gsyuasa-es.com](http://www.gsyuasa-es.com)

