



CECT TaiSEIA-WIFI solution Specifications

Part number	TaiSEIA_WIFI_USB / TaiSEIA_WIFI_ZH TaiSEIA_WIFI_USBC/ TaiSEIA_WIFI_ZHC
Product Name	Wi-Fi HNA
Revision	V0.6
Issue Date	2020/12

Approved by	Reviewed by	Issued by

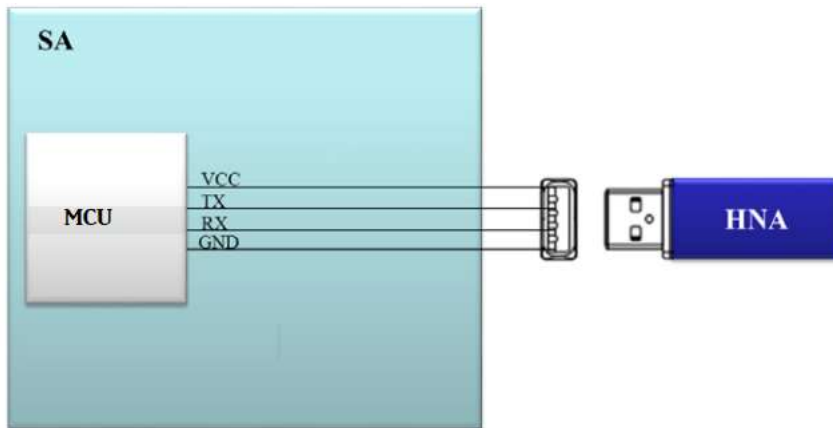
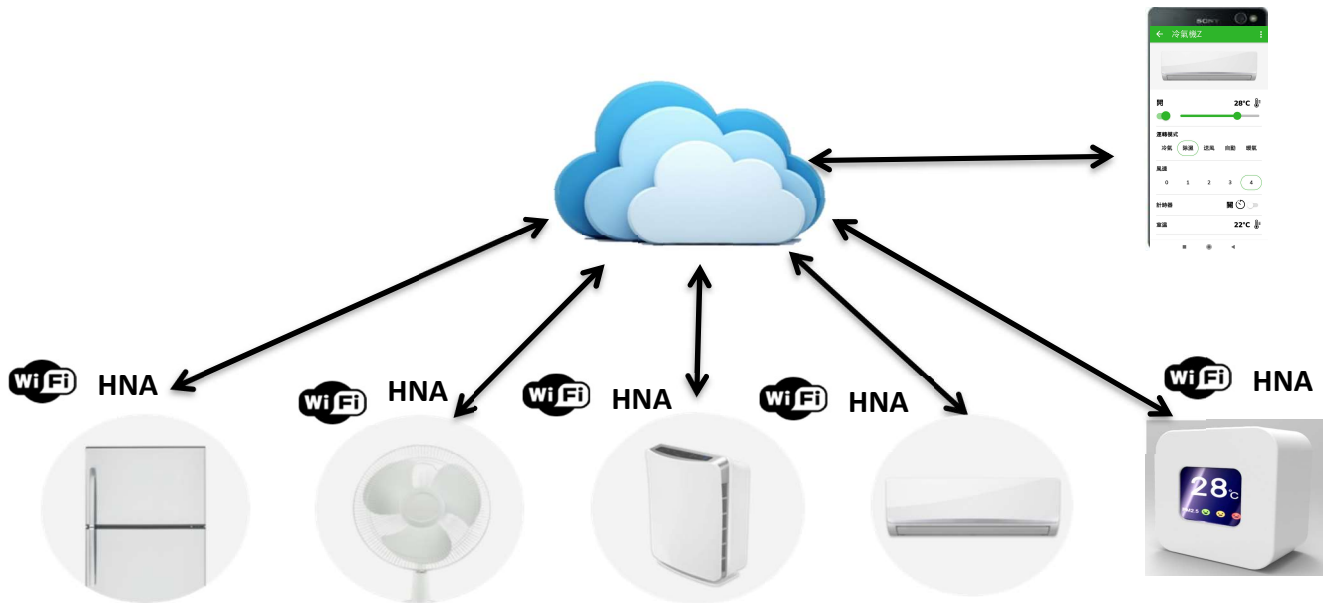


FEATURES

1. Compliant with Taiwan Smart Home Association(TaiSEIA) Network(SAANet)
2. Compliant with Exosite Exohome Cloud system
3. Built-in compatible Exosite Exohome WIFI F/W
4. 802.11b/g/n 1T1R
5. USB connector or 1.5mm connector (4pin).
6. Operation at 2.4~2.5GHz frequency band to meet worldwide regulations.
7. Storage Temperature : -40 ~ +80 °C
8. Ambient Operating Temperature : 0 ~ 60°C
9. Integrated PCB antenna
10. This Module Operating Voltage : 5V±10%, Wi-Fi chip Operating Voltage : 3.3V±10%.
11. The Module System include Level shift and LDO (3.3V).
12. UART 9600 and Support OTA.
13. Green LED / Red LED / Button


		Min	Typ.	Max.
Operating Voltage	VDD	4.5V	5V	5.5V
Operating temperature	°C	0°C		70°C
Power Consumption	mA		150mA	180mA

System architecture diagram

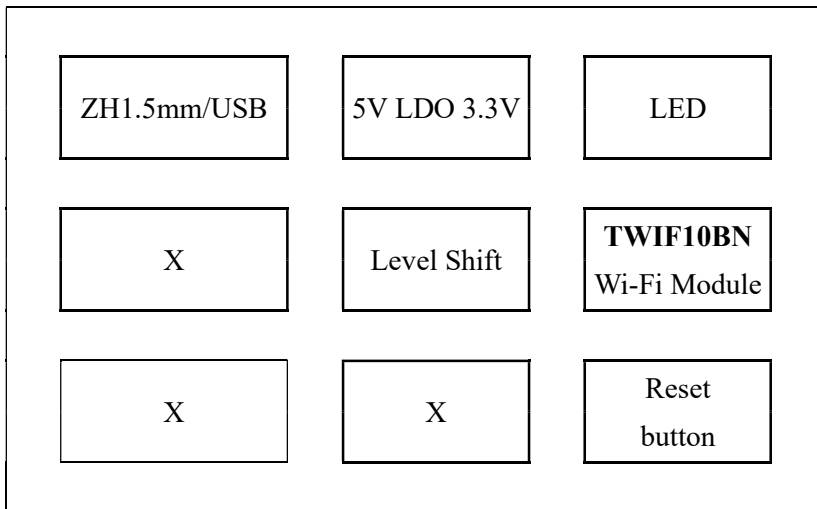




NCC number:  CCAH19LP2180T4

Japan Radio Certificate :  R 201-200646

BLOCK DIAGRAM



Wi-Fi Module Pin-out :

Pin Number	Pin-out	Description
1	VDD5V	Module Operating Voltage
2	U_RXD	UART_RXD pin
3	U_TXD	UART_TXD pin
4	GND	GND pin



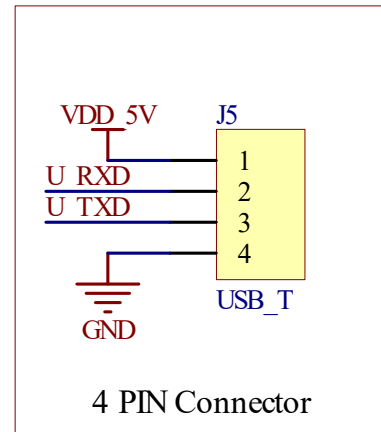
Part number table

Part number	Connector type	Case
TaiSEIA_WIFI_USB	USB type	No
TaiSEIA_WIFI_ZH	ZH1.5mm	No
TaiSEIA_WIFI_USBC	USB type	yes
TaiSEIA_WIFI_ZHC	ZH1.5mm	yes

- Part number :TaiSEIA_WIFI_USB



↑ LED ↑ Button ↑ LED

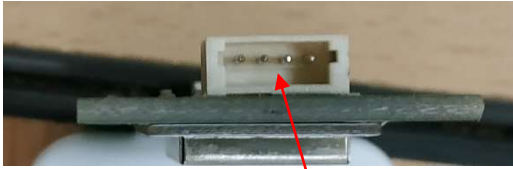


- Part number :TaiSEIA_WIFI_USBC

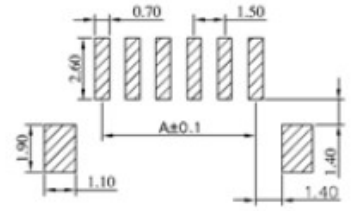
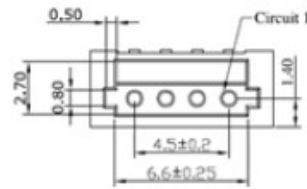


- Part number :TaiSEIA_WIFI_ZH

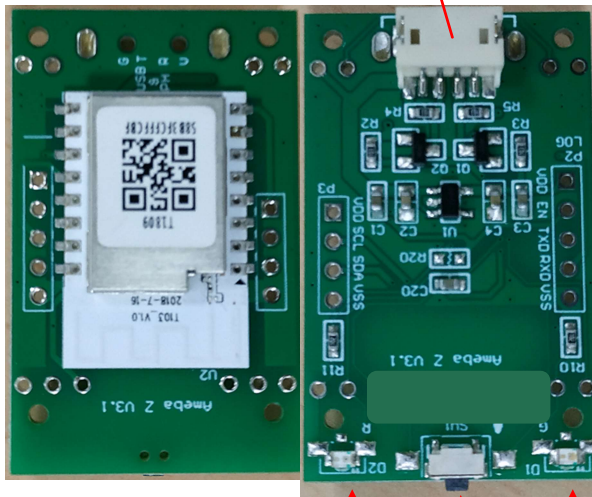
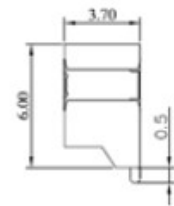
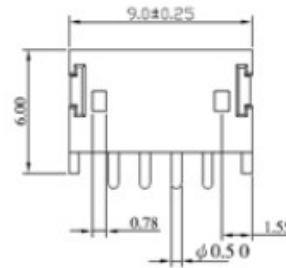
1.5mm connector dimension



ZH1.5mm connector



RECOMMENDED P.C BOARD HOLE DIMM



LED Button LED



- Part number :TaiSEIA_WIFI_ZHC

1.5mm connector



Reset Button

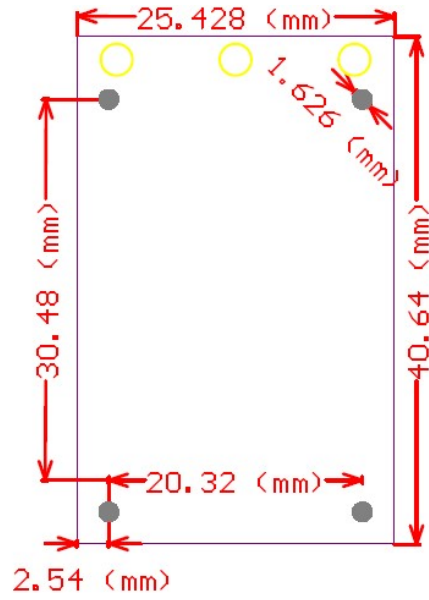


- Case dimension : 47.65mm x 32.88mm x 12.10mm





- PCB dimension : 25.43mm x 40.64mm





● **LED Status**

Status	LED Status	
	RED LED	Green LED
System initial	Slow flashing	X
Find the SAA device	Slow flashing	X
No SAA device found	Red LED green LED interlace flashing	Red LED green LED interlace flashing
AP Mode	light	X
Support-mode	light	light
Start connecting	X	Slow flashing
Connected to WIFI AP	X	Fast flashing
Connected to Cloud Server	X	light
OTA	Fast flashing	light
RESET/ Erase Info	Red LED green LED syncs flashing	Red LED green LED syncs flashing

● **Button key Status**

Button	Status
Button 3 seconds	Enter AP mode
button three times	WIFI Reboot
Button 10 seconds	Erase WIFI SSID /Password data