

CONTA-CONNECT

Installation materials and other accessories for terminal blocks



Catalogue 04

 **CONTA CLIP**

Contents

Our company	3
<hr/>	
The advantages online	4
<hr/>	
Globally available for you	5
<hr/>	
Catalogues	6
<hr/>	
Cabling ducts VK	8
<hr/>	
Tools for cabling ducts	14
<hr/>	
Cable gland systems	16
<hr/>	
DIN rail cutters and stamping tools	23
<hr/>	
General accessories	24
DIN rails	
End stops	
Wire-end ferrules	
Insulated/uninsulated connectors	
<hr/>	
CONTA-TOOL tool systems	44
<hr/>	
Self-adjusting cutting and stripping tools	46
<hr/>	
Screwdrivers	48
<hr/>	
Crimping tools	50
<hr/>	
CE electrical cabinet socket outlet	52
<hr/>	
Fuse cartridges	54
<hr/>	



CONTA-CLIP – Thinking ahead with connection technology

CONTA-CLIP was founded in 1978. We operate globally as an owner-operated medium-sized company.

Users of electrical and electronic connection systems trust our reliable products and our many years of industrial and global market expertise.

Our company is now one of the most important manufacturers in the field.

For over 40 years, our components and solutions have been used in process and industrial automation applications, including: railway technology, materials handling, building automation, air conditioning, mechanical and facility engineering, measurement and control technology, control panel construction, shipbuilding, transformer construction and environmental technology.

Over the years, we have evolved into an innovator that sets the tone with new ideas and creative impulses.

Our employees come from a wide variety of industries and are true connectivity specialists. They understand the specific problems, requirements and challenges of our customers. This results in communication among equals.

The profits then flow into the development of new products and into modern, efficient manufacturing processes.

High quality standards throughout all departments are our top priority.

Our top-class products are supported by this interplay between top-class men and machinery. We have also designed our range of services to align with customer needs.

Our products are divided into six categories: CONTA-CONNECT for terminals and accessories, CONTA-CABLE cable management systems, CONTA-ELECTRONICS for electrical and electronic cabinet components, CONTA-LABEL for marking systems, CONTA-BOX for housings, and CONTA-CON for PCB terminals and connectors.

We design customer-specific solutions for electronics, provide completely assembled housings and assemblies as needed, assemble terminal blocks for series production, and quickly handle component labelling tasks.

We greet these challenges with passion and enthusiasm, because we see each customer as our partner.

CONTA-CLIP customer representatives are always ready to offer their support to the customer, because service and helpfulness are rooted deeply in our corporate philosophy.

Advantage online: the CONTA-CLIP Online Catalogue

No matter where you are, as long as you're online you can access our digital catalogue to look at our services and quickly identify suitable solutions for your requirements.

Fast results Use the full-text search, enter an order number or use the convenient "step-by-step" feature search function.

Project planning at a glance: After you've selected the products, all the master data for the materials (sales data, technical data, drawings, connection diagrams, classifications and approvals) are made available as a data sheet or export file.

Detailed inquiries about components can be sent via the shopping cart directly to our headquarters. Upon request, you will receive an e-mailed copy of your inquiry.

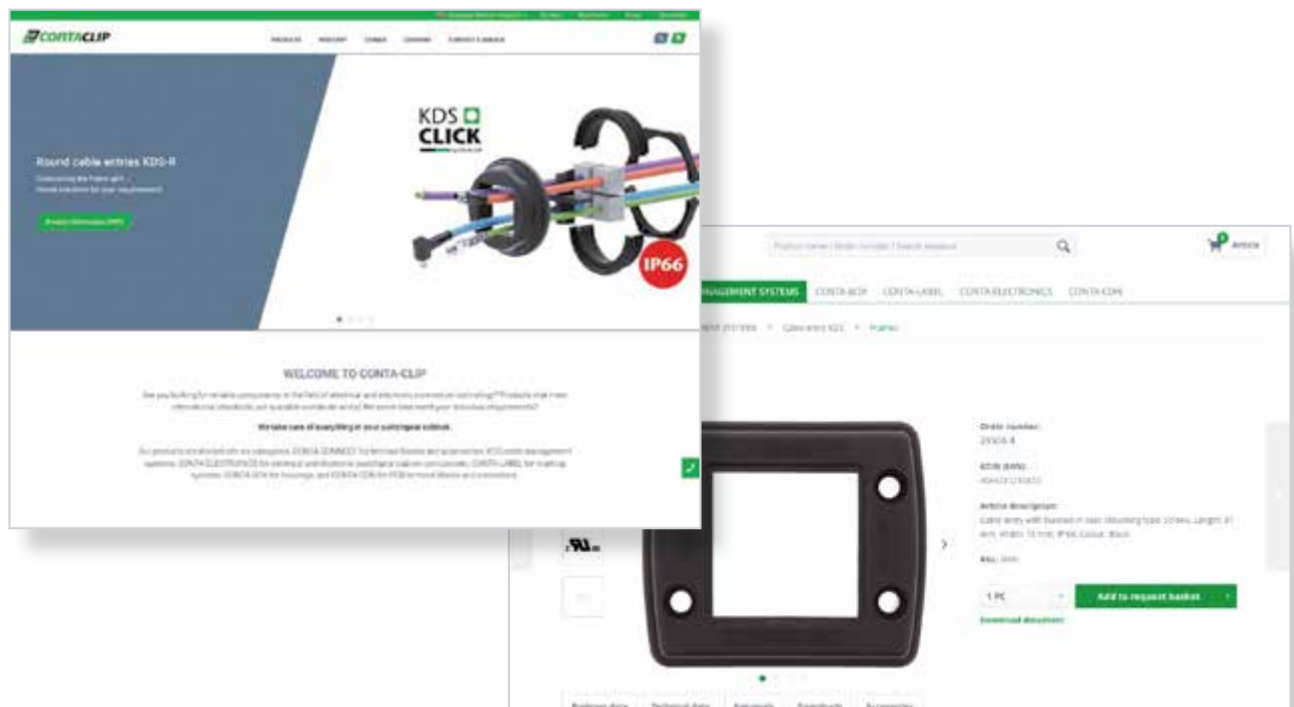
Application films: Complex functions be explained easily and clearly with sounds and images.

Printed catalogue: Would you like an offline overview? Please ask for our free printed catalogues.

Industry-specific: You will find the solutions that are relevant for your industry, according to your expertise.

Newsletter: Do you want to stay up to date? Subscribe to our newsletter! Simply register, confirm our authentication e-mail, and you'll be regularly informed about all CONTA-CLIP news.

Discover how the world of CONTA-CLIP and our website can deliver added value for you and your projects!



Globally available for you

Are you working abroad? No problem. Our worldwide sales and distribution partners help us to be globally networked and provide on-time reliable deliveries. Simply scan the QR code shown and you'll learn on our website about the sales partner responsible for your country.



Our locations in Africa

- Algeria
- Morocco
- South Africa

Our locations in Asia

- Bahrain
- China
- Hong Kong
- India
- Israel
- Jordan
- Malaysia
- Oman
- Pakistan
- Qatar
- Saudi Arabia
- Singapore
- South Korea
- Taiwan
- Turkey
- United Arab Emirates

Our locations in Oceania

- Australia
- New Zealand

Our locations in Europe

- Austria
- Belarus
- Belgium
- Bulgaria
- Croatia
- Czech Republic
- Denmark
- Finland
- France
- Germany
- Great Britain
- Greece
- Hungary
- Iceland
- Ireland
- Italy
- Latvia
- Netherlands
- Norway

- Poland
- Portugal
- Romania
- Russia
- Serbia
- Slovakia
- Slovenia
- Spain
- Sweden
- Switzerland
- Ukraine

Our locations in North America

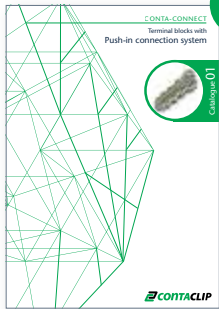
- Canada
- Mexico
- United States

Our locations in South America

- Bolivia
- Brazil
- Chile
- Columbia
- Ecuador

A complete line of products to meet your demands

The CONTA-CLIP Catalogues



01

CONTA-CONNECT

Terminal blocks with push-in connection system

Our wide range of innovative PRK and FRK terminal blocks with the Push-in connection system include feed-through terminals, PE terminals, disconnect terminals, fused terminals, multi-level terminals, installation terminals and initiator terminals, for conductor cross-sections from 0.2 mm² to 25 mm².



Cat. no. 98070.2



02

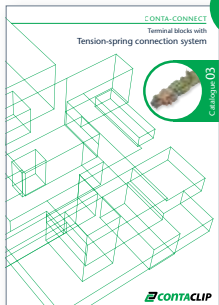
CONTA-CONNECT

Terminal blocks with screw connection system and special purpose terminals

Everything for classic wiring with screw connection system, also for high currents: SRK feed-through and PE terminals, RK high-temperature variants, TK transformer terminals, HSK high-power stud terminals and the SVB series screw distributor blocks.



Cat. no. 98071.2



03

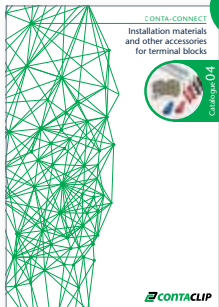
CONTA-CONNECT

Terminal blocks with tension-spring connection system

Our versatile line of terminals with tension spring connections for conductor cross-sections from 0.2 mm² to 16 mm² includes: the ZRK/ZSL series of feed-through and PE terminals, the double-level ZRKD/ZSLD, the ZIKD three-level terminal blocks, motor-connection terminals, (blade-) disconnect terminals, fused terminals, direct-mount terminals, and initiator/actuator terminals for transmitting positioning, encoder and alert signals.



Cat. no. 98072.2



04

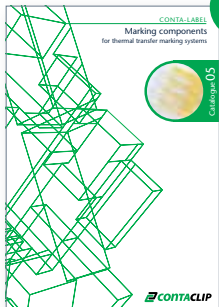
CONTA-CONNECT

Installation materials and other accessories for terminal blocks

Our installation products include cabling ducts, assembly tools, cable glands with metric or PG threads, DIN rails, rail holders, rail cutters and punching tools. The terminal block accessories include different versions of end stops, wire-end ferrules, and connectors.



Cat. no. 98073.2



05

CONTA-LABEL

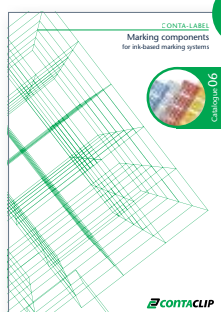
Marking components for thermal-transfer marking systems

CONTA-CLIP provides the TTPCard thermal-transfer printer and a large selection of PC, PVC and PVCF markers or labels in card format: for professional, permanent labelling of terminals, devices, conductors, cables, facilities and switchgear cabinets.



Cat. no. 98074.2

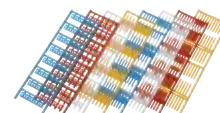
Our catalogues are available in many languages!



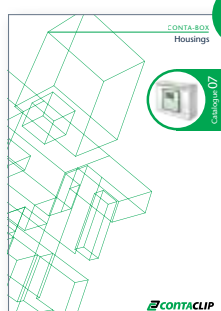
06 CONTA-LABEL

Marking components for ink-based marking systems

The CONTA-LABEL products provide polyamide markers for labelling conductors, cables, devices and facilities with ink print. These markers are available in many shapes and colours: in the classic MC Maxi-Card format for self-printing with the EMS plotter system EMS or other ink-jet systems, or ready-to-use customized printed in the PMC Pocket-Maxi-Card format.



Cat. no. 98075.2



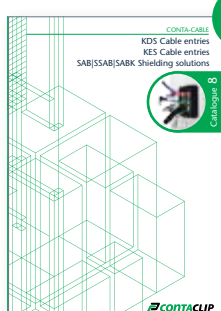
07 CONTA-BOX

Housings

Our wide variety of housings made of polystyrene, polycarbonate, polyester, ABS and aluminium deliver solutions for protecting electronic circuits, integrated devices and terminal blocks. On request, the housings can be custom-processed and assembled with our CONTA-CONNECT, CONTA-ELECTRONICS and CONTA-CON product lines.



Cat. no. 98076.2



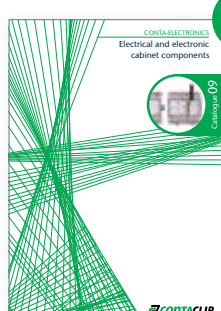
08 CONTA-CABLE

KDS cable entries, KES cable entries, SAB|SSAB|SABK shielding solutions

The KDS and KES cable entries enable a tool-free, IP66-sealed feed-through for unassembled and assembled cables and hoses. The feed-through openings can be adapted at any time to meet your requirements. The SAB shield-connection clips can be used to provide a reliable shield contact with conductor diameters from 3 mm to 35 mm.



Cat. no. 98077.2



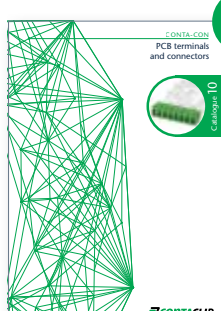
09 CONTA-ELECTRONICS

Electrical and electronic cabinet components

Our CONTA-ELECTRONICS products provide active and passive components for the transfer and conversion of analogue and digital signals at the coupling level. This product line includes power supplies, multi-function timing relays, coupling relays, digital switching modules, interface modules, opto-couplers, signal converters, GSM communication modules and much more.



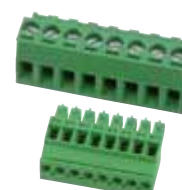
Cat. no. 98078.2



10 CONTA-CON

PCB terminals and connectors

This catalogue presents our wide variety of CONTA-CON PCB terminal blocks and connector systems. The modular components can be configured for any required number of poles. They are available in the wire connection types: wire protection, eccentric, clamping yoke, and (for demanding operating conditions) with tension-spring or Push-in wire terminations. This product range is supplemented by the modular feed-through terminals of the SDK series.

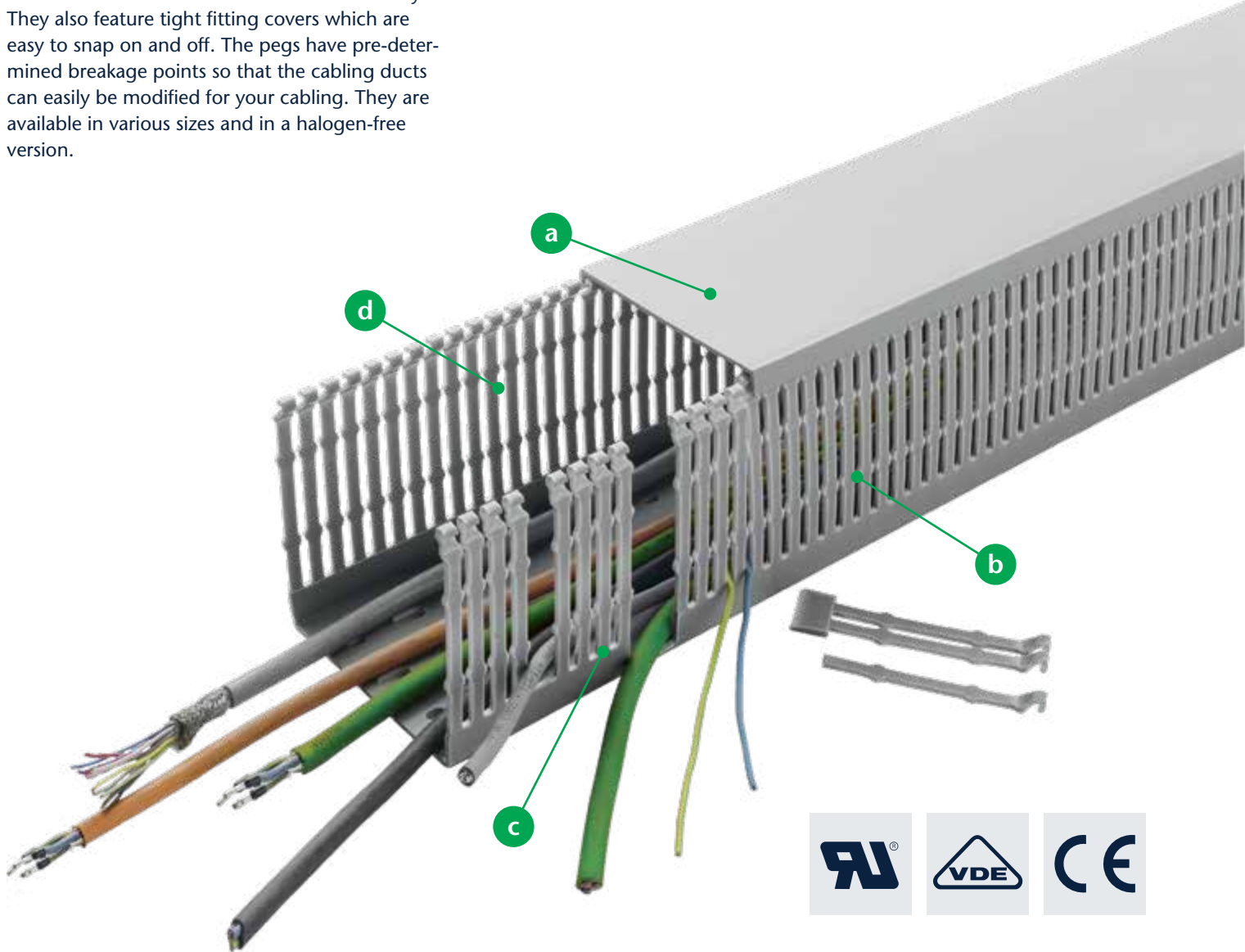


Cat. no. 98079.2

Cabling ducts VK

As part of our installation materials portfolio, CONTA-CLIP delivers a wide range of cabling ducts suitable for many different applications. These ducts have excellent dimensional stability. They also feature tight fitting covers which are easy to snap on and off. The pegs have pre-determined breakage points so that the cabling ducts can easily be modified for your cabling. They are available in various sizes and in a halogen-free version.

Material: Rigid lead-free PVC, flame retardant, in accordance with UL 94 V-0, self-extinguishing, thermally stable



- a** Optimally fitted cover
- b** Wire retaining lugs
- c** Pre-determined breakage points on the pegs
- d** Stamped out with no burrs



Your advantages

- Optimally fitted cover is easy to put on and take off
- Pre-determined breakage points on the pegs
- Stamped out with no burrs: so the installer cannot be injured and the cable cannot be damaged



Features

- Holes in the base in accordance with DIN EN 50085-2-3; the punched layout is identical for each length
- Delivery length: 2 m, including cover
- Customized lengths: on request
- 90° cover contour
- Colour: grey (RAL 7030)

Cabling ducts VK

- Material: Rigid lead-free PVC, flame retardant, in accordance with UL 94 V-0, self-extinguishing
- Temperature resistance: -15 °C to +60 °C

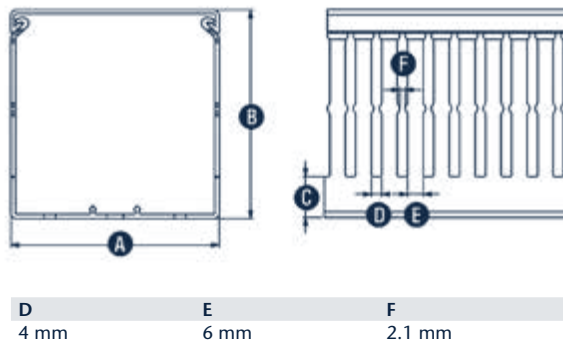
VK



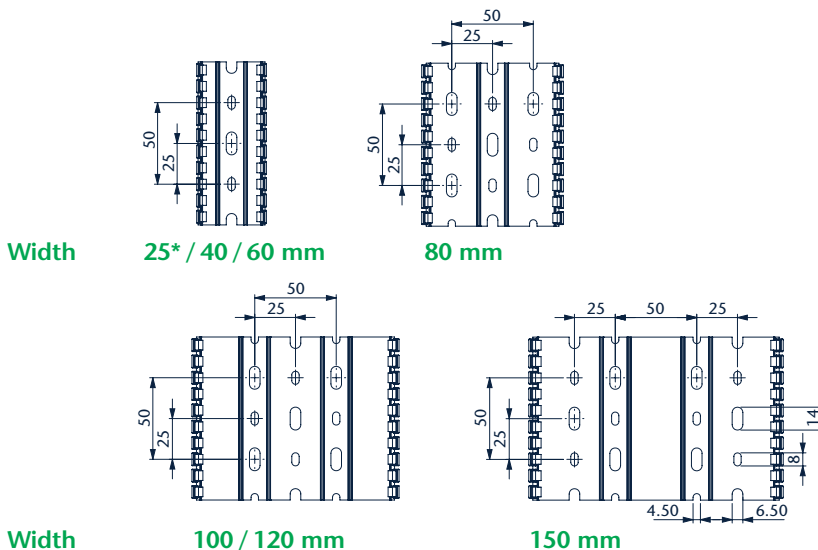
Type	VK
Colour variants	● RAL 7030
Characteristics	
Length	2 meters
incl. cover	2 meters
Base holes	DIN EN 50085-2-3
Material	Rigid lead-free PVC, flame retardant, self-extinguishing, thermally stable
Flamm. class acc. to UL 94	V-0
Temperature range	-15 °C to +60 °C
RoHS	compliant

Cat. no.	Type	Qty.	Length (m)	Nominal dimension W x H (mm)	Inner dimension W x H (mm)	Dimensions A (mm) B (mm) C (mm)		
17800.6	VK 25 x 30 GR	100	2	25 x 30	22 x 27	25	30	11.4
17801.6	VK 25 x 40 GR	100	2	25 x 40	22 x 37	25	40	12.4
17802.6	VK 40 x 40 GR	52	2	40 x 40	37 x 37	40	40	12.4
17803.6	VK 60 x 40 GR	36	2	60 x 40	56 x 37	60	40	12.6
17804.6	VK 25 x 60 GR	60	2	25 x 60	21 x 56	25	60	13.6
17805.6	VK 40 x 60 GR	36	2	40 x 60	36 x 56	40	60	13.6
17806.6	VK 60 x 60 GR	24	2	60 x 60	56 x 56	60	60	13.8
17807.6	VK 80 x 60 GR	28	2	80 x 60	76 x 56	80	60	13.8
17808.6	VK 100 x 60 GR	20	2	100 x 60	96 x 56	100	60	16.0
17809.6	VK 120 x 60 GR	16	2	120 x 60	115 x 56	120	60	16.3
17810.6	VK 25 x 80 GR	56	2	25 x 80	21 x 76	25	80	15.8
17811.6	VK 40 x 80 GR	40	2	40 x 80	36 x 76	40	80	15.8
17812.6	VK 60 x 80 GR	24	2	60 x 80	56 x 76	60	80	15.8
17813.6	VK 80 x 80 GR	20	2	80 x 80	76 x 76	80	80	15.8
17814.6	VK 100 x 80 GR	16	2	100 x 80	96 x 76	100	80	16.0
17815.6	VK 120 x 80 GR	12	2	120 x 80	115 x 76	120	80	16.3
17816.6	VK 25 x 100 GR	44	2	25 x 100	22 x 96	25	100	17.9
17817.6	VK 40 x 100 GR	28	2	40 x 100	36 x 96	40	100	17.9
17818.6	VK 60 x 100 GR	36	2	60 x 100	56 x 96	60	100	18.0
17819.6	VK 80 x 100 GR	24	2	80 x 100	76 x 96	80	100	18.2
17820.6	VK 100 x 100 GR	24	2	100 x 100	96 x 96	100	100	18.2
17821.6	VK 150 x 100 GR	16	2	150 x 100	145 x 96	150	100	18.5
Cover		Qty.	Length (m)	Nominal dimension Width, mm	Inner dimension Width, mm			
Cat. no.	Type	(m)	(m)	Width, mm	Width, mm			
17830.6	VK-D 25 GR	20	2	25	22			
17832.6	VK-D 40 GR	20	2	40	36			
17833.6	VK-D 60 GR	20	2	60	56			
17834.6	VK-D 80 GR	20	2	80	76			
17835.6	VK-D 100 GR	20	2	100	96			
17836.6	VK-D 120 GR	20	2	120	115			
17837.6	VK-D 150 GR	20	2	150	154			

Dimensional drawings



Base holes EN 50085-2-3

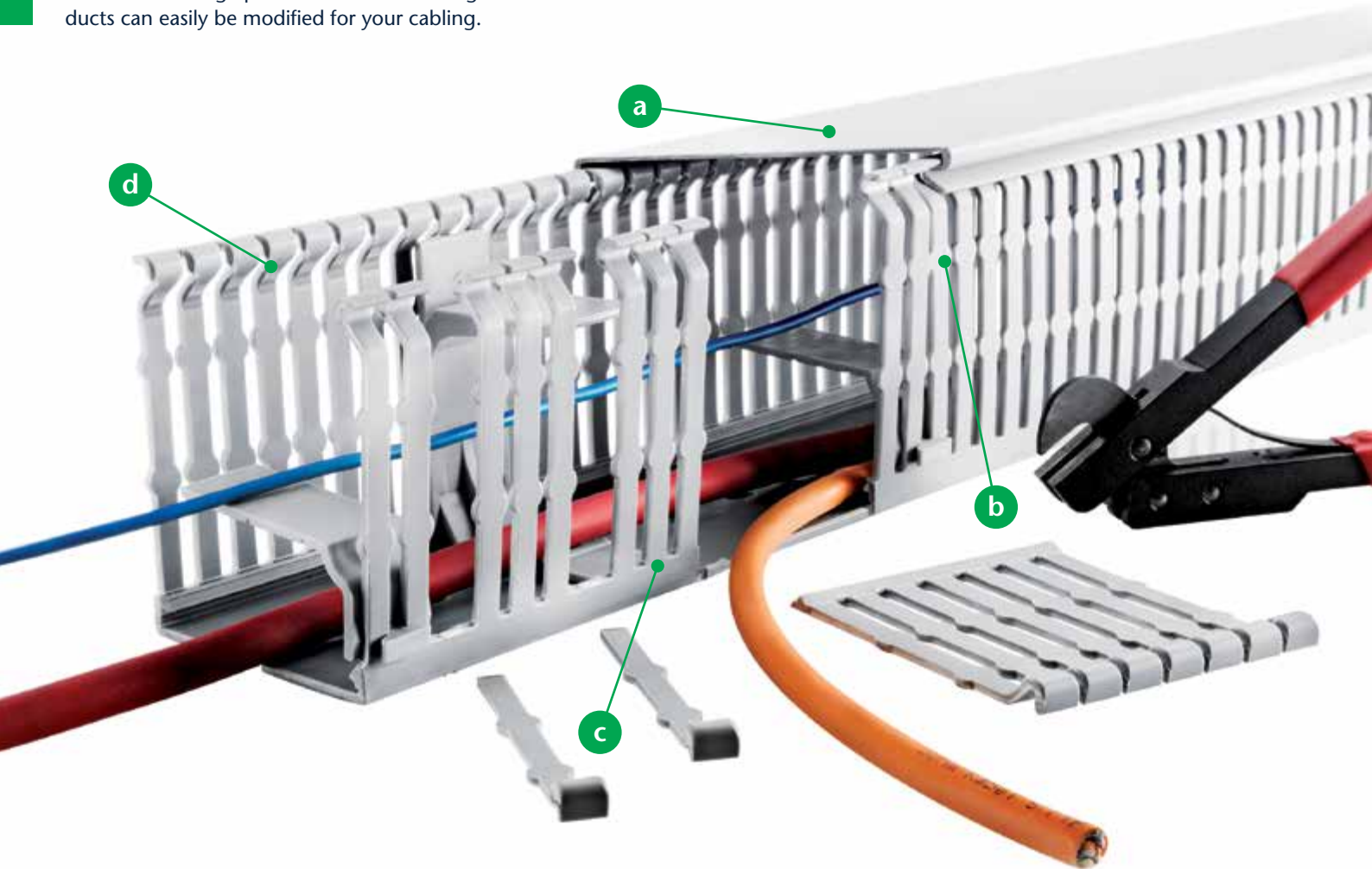


* Width 25 contains no mounting rails for the accessories

Halogen-free cabling ducts VK-HF

Halogen-free cabling ducts are often installed in sensitive areas like public buildings such as in airports, railway stations, office buildings, high-rise buildings and hospitals. The halogen-free plastic used here is compliant with VDE 0472 part 815 and generates no toxic gases when burned. Thus, it meets the special requirements for these applications. The pegs and the duct base have pre-determined breakage points so that the cabling ducts can easily be modified for your cabling.

Material: Halogen-free plastic in accordance with VDE 0472, part 815 No toxic gases in event of fire Fulfils the requirements in F2 and I3 of the NF F 16-101 Railway Standards.



- a** Optimally fitted cover
- b** Wire retaining lugs
- c** The pegs and the duct base have pre-determined breakage points
- d** Stamped out with no burrs



Your advantages

- Optimally fitted cover is easy to put on and take off
- Pre-determined breakage points on the pegs
- Stamped out with no burrs: so the installer cannot be injured and the cable cannot be damaged



Features

- Partitioning pegs can also be used
- Holes in the base in accordance with DIN EN 50085-2-3; the punched layout is identical for each length
- Delivery length: 2 m, including cover
- Customized lengths: on request
- 90° cover contour
- Wire retaining lugs, starting with 60 mm height
- Colour: grey (RAL 7035)

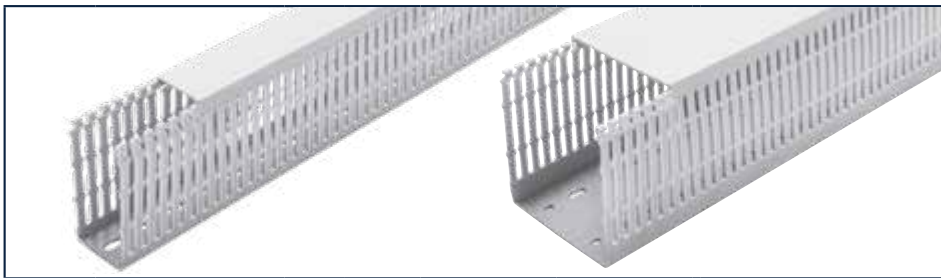
Cabling ducts VK-HF

- Material: Halogen-free plastic in accordance with VDE 0472, part 815
- No toxic gases in event of fire
- Temperature resistance: -25 °C to +70 °C

Special features:

- 90° cover contour
- Wire retaining lugs, starting with 60 mm height
- Colour: grey (RAL 7035)

VK-HF



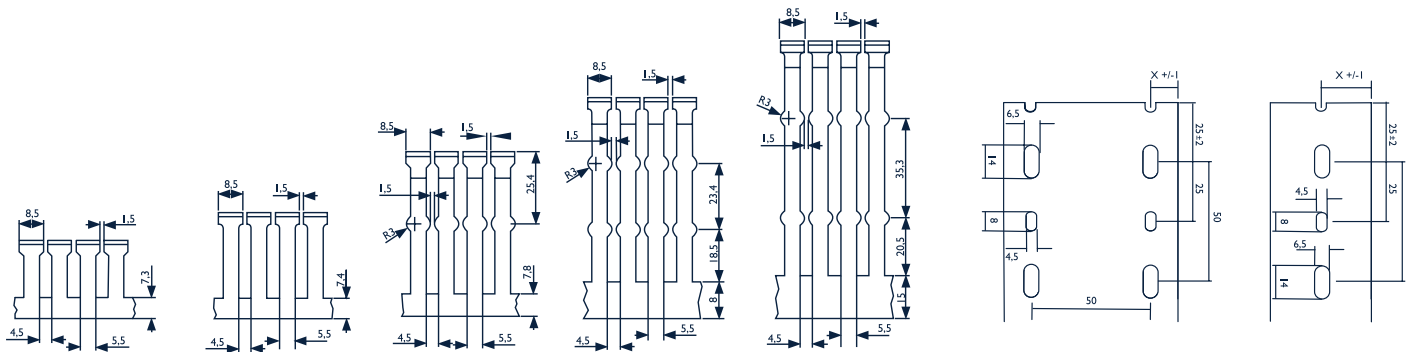
Type	VK
Colour variants	● RAL 7035
Characteristics	
Length	2 meters
incl. cover	2 meters
Base holes	DIN EN 50085-2-3
Material	
Material	Halogen-free plastic in accordance with VDE 0472, part 815
Temperature range	-25 °C to +70 °C
RoHS	compliant
WEEE	compliant
Standards	
Railway Standards NF F 16-101	Meets the requirements F2 and I3

Cat. no.	Type	Qty.	Length (m)	Nominal dimension W x H (mm)	Inner dimension W x H (mm)	Number of cables at 50% filled capacity		
						0.75 mm ² Ø 2.8	1.0 mm ² Ø 2.9	1.5 mm ² Ø 3.2
17840.6	VK-HF 30 x 30 LG	64	2	30 x 30	27 x 27	44	41	34
17841.6	VK-HF 25 x 40 LG	68	2	25 x 40	27 x 27	53	50	41
17843.6	VK-HF 60 x 40 LG	40	2	60 x 40	56 x 37	164	152	125
17844.6	VK-HF 25 x 60 LG	60	2	25 x 60	22 x 56	79	76	61
17845.6	VK-HF 40 x 60 LG	48	2	40 x 60	36 x 56	162	151	124
17846.6	VK-HF 60 x 60 LG	36	2	60 x 60	56 x 56	245	229	188
17847.6	VK-HF 80 x 60 LG	32	2	80 x 60	76 x 56	333	310	255
17850.6	VK-HF 25 x 80 LG	56	2	25 x 80	22 x 76	109	101	83
17851.6	VK-HF 40 x 80 LG	40	2	40 x 80	36 x 76	231	216	177
17852.6	VK-HF 60 x 80 LG	36	2	60 x 80	56 x 76	350	326	268
17853.6	VK-HF 80 x 80 LG	24	2	80 x 80	76 x 76	475	443	364
17854.6	VK-HF 100 x 80 LG	24	2	100 x 80	96 x 76	595	554	455
17857.6	VK-HF 40 x 100 LG	24	2	40 x 100	36 x 96	263	247	202
17858.6	VK-HF 60 x 100 LG	32	2	60 x 100	56 x 96	432	406	331
17860.6	VK-HF 100 x 100 LG	16	2	100 x 100	96 x 100	734	684	562
Cover		Qty.	Length (m)	Nominal dimension Width, mm	Inner dimension Width, mm			
17870.6	VK-HF-D 25 LG	10	2	25	22			
17871.6	VK-HF-D 30 LG	10	2	30	27			
17872.6	VK-HF-D 40 LG	10	2	40	36			
17873.6	VK-HF-D 60 LG	10	2	60	56			
17874.6	VK-HF-D 80 LG	10	2	80	76			
17875.6	VK-HF-D 100 LG	10	2	100	96			

Dimensional drawings

Height / side profile

Base holes DIN EN 50085-2-3



25 mm / 30 mm

40 mm

60 mm

80 mm

100 mm

from 80 mm

up to 60 mm

Cabling duct accessories

Flexible halogen-free cabling ducts

Material: PP, halogen-free, flame retardant, in accordance with UL 94 V-0
 Temperature range: -20 °C to +70 °C, self-adhesive

Cat. no.	Type	Qty.	Length (m)	Diameter (mm)
17880.6	VK-FLEX-HF 10 x 10 GR	100	0.5	10
17881.6	VK-FLEX-HF 10 x 20 GR	60	0.5	20
17882.6	VK-FLEX-HF 10 x 30 GR	36	0.5	30
17883.6	VK-FLEX-HF 10 x 40 GR	24	0.5	40

VK-FLEX-HF

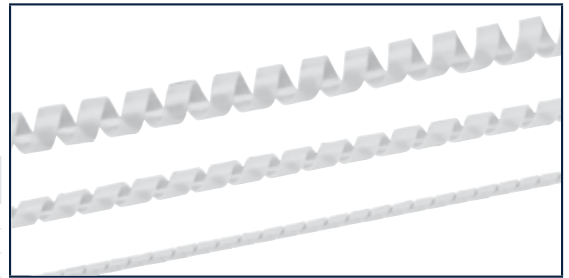


Spiral tubing

Material: PE, RoHS-compliant
 Temperature range: -50 °C to +85 °C

Cat. no.	Type	Qty. (m)	Length (m)	Diameter (mm)	Bundling (mm)
17956.0	VK-SS 3 transparent	25	25	3	4 – 20
17957.0	VK-SS 12 transparent	20	20	12	12 – 80
17958.0	VK-SS 20 transparent	25	25	20	20 – 150

VK-SS



Wire holder

Material: PS, RoHS-compliant
 Temperature range: -20 °C to +60 °C

Cat. no.	Type	Qty.	Accessories for
17890.6	VK-DH GR	400	VK-HF
17955.4	VK-DH2 BK	10	VK

VK-DH



Wire holder

Material: PC, RoHS-compliant
 Temperature range: -20 °C to +60 °C

Cat. no.	Type	Qty.	Accessories for	Dimension W x H (mm)
17951.4	VK-DHG-40 BK	10	VK	34 x 35
17952.4	VK-DHG-60 BK	10	VK	34 x 53
17953.4	VK-DHG-80 BK	10	VK	53 x 75

VK-DHG



Wire holder

Material: PA, RoHS-compliant
 Temperature range: -20 °C to +60 °C

Cat. no.	Type	Qty.	Accessories for
17954.4	VK-DHKB BK	10	VK

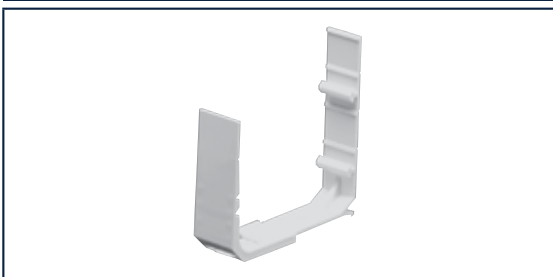
VK-DH



Wire and partitioning peg holder

Material: PS, RoHS-compliant
 Temperature range: -20 °C to +60 °C

VK-DTH



Cat. no.	Type	Qty.	Accessories for
17892.6	VK-DTH GR	50	VK-HF

Rivets

Material: PA, RoHS-compliant
 Temperature range: -40 °C to +90 °C

SN-PA



Cat. no.	Type	Qty.	Ø (mm)	Hole Ø required (mm)
17896.4	SN-PA 3.5 BK	4000	3.5	3.5
17897.4	SN-PA 5 BK	4000	5	5.2
17898.4	SN-PA 6 BK	4000	6	6.2
17899.6	SN-PA 6.5 GR	2000	6.5	6.5



Tools for cabling ducts

Wiring channel cutter

The **VK-S 125 + HF** cabling duct cutter is a tool for manually cutting cabling ducts of up to 125 mm in width. The tool can be attached to a work bench or mounted at a workstation.

- Features:**
- 90° precise-angle cutting
 - Quick, quiet and burr-free cutting
 - Minimal force needed for the cut
 - Maintenance-free
 - Also for halogen-free cabling ducts

VK-S 125 + HF



Weight, kg	10.0
Type	VK-S 125 + HF
Cat. no.	3897.2
Qty.	1
Technical data	
Lever length, mm	500
Length limit	1000 mm, metric and inch
Wall thickness, mm	2.5
Channel width, mm	125

Notching pliers

When working with cabling ducts, the **VK-AKZ** notching pliers help you to easily modify the duct walls and break out sections down to the duct base. The tool's ergonomic grip helps you to avoid fatigue.

VK-AKZ



Cat. no.	Type	Qty. (items)	Length (mm)	Weight (g)
17894.0	VK-AKZ	1	245	258

Setting tool

Expanding rivets can be processed safely and quickly using the **SN-SW** setting tool. It features a metal core which ensures stability and a long lifespan. The long shaft allows you to set rivets in deep channels or in other inaccessible positions. The tool's ergonomic shape helps you to avoid fatigue. The tool is suitable for using with rivets from 4.5 to 6.5 mm.

SN-SW



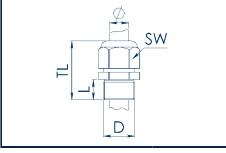
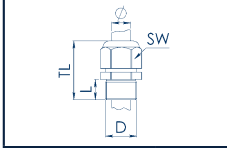




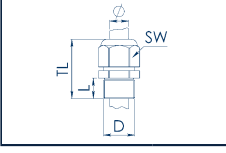
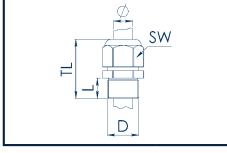
Cat. no.	Type	Qty. (items)	Length (mm)	Weight (g)
17895.0	SN-SW	1	225	153

Notes

A large grid of dotted lines for taking notes, covering most of the page area.

Metric cable gland systems KV/M

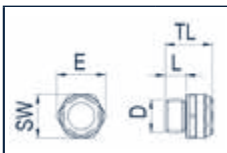
Plastic cable glands / metric thread					KV/M		Plastic cable glands / long metric thread					KV/M	
Material: polyamide UL94-V0, protection class: IP 68-5-bar, colour: RAL 7035 light grey, colour variants (.4) RAL 9005 black, seal: EPDM, temperature range: -20°C to +100°C, VDE-tested: according to DIN EN 50626							Material: polyamide UL94-V0, protection class: IP 68-5-bar, colour: RAL 7035 light grey, seal: EPDM, temperature range: -20°C to +100°C						
													
Type	Cat. no.	Qty.	For cable Ø (mm)	Thread length L (mm)	Spanner width (mm)	AF TL (mm)	Type	Cat. no.	Qty.	For cable Ø (mm)	Thread length L (mm)	Spanner width (mm)	AF TL (mm)
KV/M 12x1.5 GR ●	4573.2	100	3 – 7	9	16	29-34	KV/M-L 12x1.5 GR ●	17599.2	50	3 – 7	15	16	35-40
KV/M 12x1.5 BK ●	4573.4	100	3 – 7	9	16	29-34							
KV/M 16x1.5 GR ●	4574.2	100	4.5 – 10	9	20	31-37	KV/M-L 16x1.5 GR ●	17600.2	50	4.5 – 10	15	20	37-43
KV/M 16x1.5 BK ●	4574.4	100	4.5 – 10	9	20	31-37							
KV/M 20x1.5 GR ●	4575.2	100	6 – 13	10	24	36-45	KV/M-L 20x1.5 GR ●	17601.2	50	6 – 13	15	24	41-50
KV/M 20x1.5 BK ●	4575.4	100	6 – 13	10	24	36-45							
KV/M 25x1.5 GR ●	4576.2	50	9 – 17	10	29	38-47	KV/M-L 25x1.5 GR ●	17602.2	50	9 – 17	15	29	43-52
KV/M 25x1.5 BK ●	4576.4	50	9 – 17	10	29	38-47							
KV/M 32x1.5 GR ●	4577.2	25	13 – 21	12	36	42-51	KV/M-L 32x1.5 GR ●	17603.2	25	13 – 21	15	36	45-54
KV/M 32x1.5 BK ●	4577.4	25	13 – 21	12	36	42-51							
KV/M 40x1.5 GR ●	4578.2	10	16 – 28	12	46	52-65	KV/M-L 40x1.5 GR ●	17604.2	10	16 – 28	18	46	58-71
KV/M 40x1.5 BK ●	4578.4	10	16 – 28	12	46	52-65							
KV/M 50x1.5 GR ●	4579.2	5	21 – 35	14	55	59-72	KV/M-L 50x1.5 GR ●	17605.2	10	21 – 35	18	55	63-76
KV/M 50x1.5 BK ●	4579.4	5	21 – 35	14	55	59-72							
KV/M 63x1.5 GR ●	4580.2	5	34 – 48	15	68	64-78	KV/M-L 63x1.5 GR ●	17606.2	10	34 – 48	18	68	67-81
KV/M 63x1.5 BK ●	4580.4	5	34 – 48	15	68	64-78							

ATEX plastic cable glands / metric thread / improved safety					KV/Mex-e		ATEX plastic cable glands / metric thread / intrinsically safe					KV/Mex-i	
Explosion protection: II 2 G D Eex e II, certificates: PTB 05 ATEX 1068X Material: self-extinguishing polyamide, protection class: IP 66, Colour: RAL 9001 black Temperature range: -20 °C to +75 °C							Explosion protection: II 2 G D Eex e II, certificates: PTB 05 ATEX 1068X Material: self-extinguishing polyamide, protection class: IP 66, Colour: black-blue Temperature range: -40 °C to +75 °C						
													
Type	Cat. no.	Qty.	For cable Ø (mm)	Thread length L (mm)	Spanner width (mm)	AF TL (mm)	Type	Cat. no.	Qty.	For cable Ø (mm)	Thread length L (mm)	Spanner width (mm)	AF TL (mm)
KV/Mex-e 16x1.5 BK ●	17500.4	50	4 – 9	9	20	31-37	KV/Mex-i 16 x 1.5 BKBU ●	17500.5	50	4 – 9	9	20	31-37
KV/Mex-e 20x1.5 BK ●	17501.4	50	6 – 13	10	24	36-45	KV/Mex-i 20 x 1.5 BKBU ●	17501.5	50	6 – 13	10	24	36-45
KV/Mex-e 25x1.5 BK ●	17502.4	50	7 – 17	10	29	38-47	KV/Mex-i 25 x 1.5 BKBU ●	17502.5	50	7 – 17	10	29	38-47
KV/Mex-e 32x1.5 BK ●	17503.4	25	13 – 21	12	36	42-51	KV/Mex-i 32 x 1.5 BKBU ●	17503.5	25	13 – 21	12	36	42-51
KV/Mex-e 40x1.5 BK ●	17504.4	10	17 – 28	12	46	52-65	KV/Mex-i 40 x 1.5 BKBU ●	17504.5	10	17 – 28	12	46	52-65
KV/Mex-e 50x1.5 BK ●	17505.4	4	23 – 35	14	55	59-72	KV/Mex-i 50 x 1.5 BKBU ●	17505.5	4	23 – 35	14	55	59-72
KV/Mex-e 63x1.5 BK ●	17506.4	1	31 – 48	15	68	64-78	KV/Mex-i 63 x 1.5 BKBU ●	17506.5	1	31 – 48	15	68	64-78

Pressure compensation element - plastic / metric thread

DAE

Material: polyamide, seal: TPE, membrane: ePTFE
 Protection class: IP 69, IP 68, colour: RAL 7035 light grey
 Temperature range: -40 °C to +100 °C

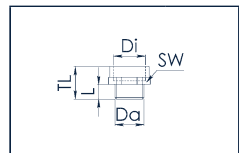


Type	Cat. no.	Qty.	Corner dimension E (mm)	Thread length L (mm)	Spanner width (mm)	AF	TL (mm)
DAE/M12 GR ●	17769.2	10	18	8	16		17.4

Plastic extensions / metric - metric

VEM

Material: polyamide glass-fibre reinforced
 Colour: RAL 7035 light grey,
 Temperature range: -40 °C to +100 °C

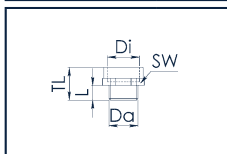


Type	Cat. no.	Qty.	Outer Ø Da - Inner Ø Di (mm)	Thread length L (mm)	Spanner width (mm)	AF	TL (mm)
VEM 12/16 GR ●	17607.2	100	12x1.5 - 16x1.5	9	20		27
VEM 16/20 GR ●	17608.2	100	16x1.5 - 20x1.5	9	24		27
VEM 20/25 GR ●	17609.2	100	20x1.5 - 25x1.5	9	29		27
VEM 25/32 GR ●	17610.2	100	25x1.5 - 32x1.5	10	36		28
VEM 32/40 GR ●	17611.2	50	32x1.5 - 40x1.5	12	46		30
VEM 40/50 GR ●	17612.2	25	40x1.5 - 50x1.5	12	55		30
VEM 50/63 GR ●	17613.2	5	50x1.5 - 63x1.5	14	68		32

Plastic reducing sleeves / metric - metric

VRM

Material: polyamide glass-fibre reinforced
 Colour: RAL 7035 light grey,
 Temperature range: -40 °C to +100 °C

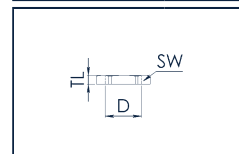


Type	Cat. no.	Qty.	Outer Ø Da - Inner Ø Di (mm)	Thread length L (mm)	Spanner width (mm)	AF	TL (mm)
VRM 16/12 GR ●	17614.2	100	16x1.5 - 12x1.5	9	20		16
VRM 20/12 GR ●	17615.2	100	20x1.5 - 12x1.5	9	24		16
VRM 20/16 GR ●	17616.2	100	20x1.5 - 16x1.5	9	24		27
VRM 25/12 GR ●	17617.2	100	25x1.5 - 12x1.5	10	29		17
VRM 25/16 GR ●	17618.2	100	25x1.5 - 16x1.5	10	29		17
VRM 25/20 GR ●	17619.2	100	25x1.5 - 20x1.5	10	29		17
VRM 32/16 GR ●	17620.2	50	32x1.5 - 16x1.5	12	36		19
VRM 32/20 GR ●	17621.2	50	32x1.5 - 20x1.5	12	36		19
VRM 32/25 GR ●	17622.2	50	32x1.5 - 25x1.5	12	36		19
VRM 40/20 GR ●	17623.2	25	40x1.5 - 25x1.5	12	46		19
VRM 40/25 GR ●	17624.2	25	40x1.5 - 25x1.5	12	46		19
VRM 40/32 GR ●	17625.2	25	40x1.5 - 32x1.5	12	46		19
VRM 50/25 GR ●	17626.2	5	50x1.5 - 25x1.5	14	55		21
VRM 50/32 GR ●	17627.2	5	50x1.5 - 32x1.5	14	55		21
VRM 50/40 GR ●	17628.2	5	50x1.5 - 40x1.5	14	55		21
VRM 63/32 GR ●	17629.2	5	63x1.5 - 32x1.5	15	65		22
VRM 63/40 GR ●	17630.2	5	63x1.5 - 40x1.5	15	65		22
VRM 63/50 GR ●	17631.2	5	63x1.5 - 50x1.5	15	65		22

Plastic locknuts / metric thread



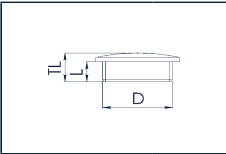
S/M



Material: polyamide glass-fibre reinforced
 Colour variant (.4) RAL 9005 black
 Temperature range: -40 °C to +100 °C



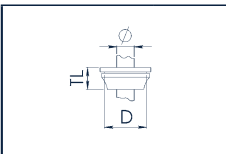
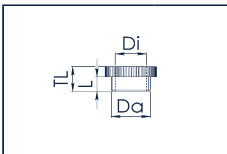


Type	Cat. no.	Qty.	Spanner width (mm)	AF	TL (mm)
S/M 12 x 1.5 GR ●	4140.2	100	18		5
S/M 12 x 1.5 BK ●	4140.4	100	18		5
S/M 16 x 1.5 GR ●	4141.2	100	22		5
S/M 16 x 1.5 BK ●	4141.4	100	22		5
S/M 20 x 1.5 GR ●	4142.2	100	27		5
S/M 20 x 1.5 BK ●	4142.4	100	27		5
S/M 25 x 1.5 GR ●	4143.2	100	32		6
S/M 25 x 1.5 BK ●	4143.4	100	32		6
S/M 32 x 1.5 GR ●	4144.2	100	40		6
S/M 32 x 1.5 BK ●	4144.4	100	40		6
S/M 40 x 1.5 GR ●	4145.2	50	50		7
S/M 40 x 1.5 BK ●	4145.4	50	50		7
S/M 50 x 1.5 GR ●	4146.2	50	60		7
S/M 50 x 1.5 BK ●	4146.4	50	60		7
S/M 63 x 1.5 GR ●	4147.2	50	75		7
S/M 63 x 1.5 BK ●	4147.4	50	75		7

Metric cable gland systems KV/M

Plastic screw plugs / metric thread						V/M	Seal plugs for metric thread				VS/M
Material: polyamide glass-fibre reinforced, protection class: IP 56, Colour: RAL 7035 light grey, Temperature range: -40 °C to +100 °C							Material: polyethylene Protection class: IP 54 Colour: grey				
											
Type	Cat. no.	Qty.	Head Ø (mm)	Thread length L (mm)	TL (mm)	Type	Cat. no.	Qty.	For cable Ø (mm)	Wall thickness (mm)	
V/M 12 x 1.5 GR ●	4589.2	100	15	6	8	VS/M16 GR ●	4164.2	100	6 – 10	1.5 – 4.0	
V/M 16 x 1.5 GR ●	4590.2	100	20	6	9	VS/M20 GR ●	4165.2	100	8 – 13.5	1.5 – 4.0	
V/M 20 x 1.5 GR ●	4591.2	100	24	6	9.5	VS/M25 GR ●	4166.2	50	9 – 16	1.5 – 4.0	
V/M 25 x 1.5 GR ●	4592.2	100	30	8	11.5	VS/M32 GR ●	4167.2	50	11 – 23	1.5 – 4.0	
V/M 32 x 1.5 GR ●	4593.2	100	37	8	12	VS/M40 GR ●	4168.2	25	17 – 30	1.5 – 4.0	
V/M 40 x 1.5 GR ●	4594.2	50	46	8	13						
V/M 50 x 1.5 GR ●	4595.2	50	56	10	15						
V/M 63 x 1.5 GR ●	4596.2	50	70	12	17						

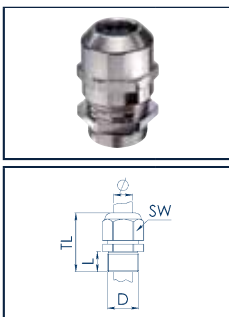
Adjustable nipple for metric thread					SN/M	Double-membrane brackets / metric thread				DM/M
Material: thermo-plastic elastomer Protection class: IP 55 Colour: grey						Material: thermo-plastic elastomer Protection class: IP 66 Colour: grey				
Type	Cat. no.	Qty.	For cable Ø (mm)	Wall thickness (mm)	Type	Cat. no.	Qty.	For cable Ø (mm)	Wall thickness (mm)	
SN/M20 GR ●	4148.2	100	5 – 16	1.5 – 4.5	DM/M16 GR ●	4160.2	50	5 – 9	1.5 – 4.5	
SN/M25 GR ●	4149.2	50	5 – 21	1.5 – 4.5	DM/M20 GR ●	4161.2	50	7 – 12	1.5 – 4.5	
SN/M32 GR ●	4150.2	25	13 – 26.5	1.5 – 4.5	DM/M25 GR ●	4162.2	50	9 – 16	1.5 – 4.5	
SN/M40 GR ●	4151.2	20	13 – 34	1.5 – 4.5	DM/M32 GR ●	4163.2	25	14 – 21	1.5 – 4.5	

Seal bushing for metric thread							FDM	Brass reducing element / metric - metric				VRM
Material: EPDM, 55° shore A, protection class: IP 66/67, Colour: RAL 7001 silver grey, colour variants (.4) RAL 9005 black Temperature range: -40 °C to +110 °C								Material: nickel-plated brass				
												
Type	Cat. no.	Qty.	For cable Ø (mm)	Wall thickness (mm)	Drill holes Ø (mm)	TL (mm)	Type	Cat. no.	Qty.	Outer Ø Da - Inner Ø Di (mm)	Thread length L (mm)	TL (mm)
FDM 12 GR ●	17632.6	50	4 – 7	0.5 – 2	12-13	13	VRM-MS 16/12	17707.2	100	16x1.5 - 12x1.5	5	8
FDM 12 BK ●	17632.4	50	4 – 7	0.5 – 2	12-13	13	VRM-MS 20/12	17708.2	100	20x1.5 - 12x1.5	6	8.5
FDM 16 GR ●	17633.6	50	5 – 10	1 – 4	15-17	18	VRM-MS 20/16	17709.2	100	20x1.5 - 16x1.5	6	8.5
FDM 16 BK ●	17633.4	50	5 – 10	1 – 4	15-17	18	VRM-MS 25/16	17710.2	50	25x1.5 - 16x1.5	7	10
FDM 20 GR ●	17634.6	50	8 – 13	1 – 4	18-19	20	VRM-MS 25/20	17711.2	100	25x1.5 - 20x1.5	7	10
FDM 20 BK ●	17634.4	50	8 – 13	1 – 4	18-19	20	VRM-MS 32/20	17712.2	25	32x1.5 - 20x1.5	8	11.5
FDM 25 GR ●	17635.6	50	11 – 17	1 – 4	25-26	21.5	VRM-MS 32/25	17713.2	50	32x1.5 - 25x1.5	8	11.5
FDM 25 BK ●	17635.4	50	11 – 17	1 – 4	25-26	21.5	VRM-MS 40/25	17714.2	25	40x1.5 - 25x1.5	8	11.5
FDM 32 GR ●	17636.6	25	15 – 21	1 – 4	32-33	25	VRM-MS 40/32	17715.2	25	40x1.5 - 32x1.5	8	11.5
FDM 32 BK ●	17636.4	25	15 – 21	1 – 4	32-33	25	VRM-MS 50/32	17716.2	10	50x1.5 - 32x1.5	9	12.5
FDM 40 GR ●	17637.6	25	19 – 28	1 – 4	40-41	30	VRM-MS 50/40	17717.2	25	50x1.5 - 40x1.5	9	12.5
FDM 40 BK ●	17637.4	25	19 – 28	1 – 4	40-41	30	VRM-MS 63/40	17718.2	10	63x1.5 - 40x1.5	10	14
FDM 50 GR ●	17638.6	10	27 – 35	1 – 4	50-51	35	VRM-MS 63/50	17719.2	10	63x1.5 - 50x1.5	10	14
FDM 50 BK ●	17638.4	10	27 – 35	1 – 4	50-51	35						

Brass cable glands / metric thread

KV/M

Material:
nickel-plated brass, protection class: IP 68-5-bar,
Seal: EPDM (CR) seal, O-ring at connecting threads
Temperature range: -40 °C to +100 °C

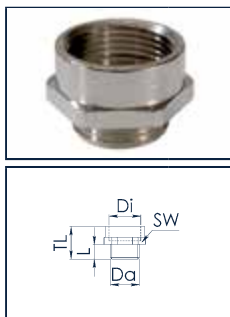


Type	Cat. no.	Qty.	For cable Ø (mm)	Thread length L (mm)	Spanner width AF (mm)	TL (mm)
KV/M 12 x 1.5-MS	4169.2	100	3 - 7	5	16	23-30
KV/M 16 x 1.5-MS	4170.2	100	4.5 - 10	5	20	26-34
KV/M 20 x 1.5-MS	4171.2	100	6 - 13	6	24	29-37
KV/M 25 x 1.5-MS	4172.2	50	9 - 17	7	29	33-42
KV/M 32 x 1.5-MS	4173.2	25	13 - 21	8	36	36-44
KV/M 40 x 1.5-MS	4174.2	10	16 - 28	8	46	44-45
KV/M 50 x 1.5-MS	4175.2	5	21 - 35	9	55	51-62
KV/M 63 x 1.5-MS	4176.2	5	34 - 48	10	68	56-67
KV/M 75 x 1.5-MS	4177.2	1	48 - 62	12	82	67-81

Brass extensions / metric - metric

VEM-MS

Material: nickel-plated brass

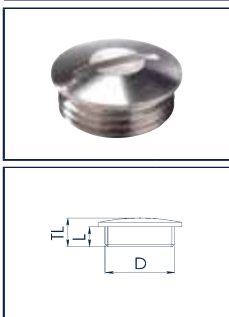


Type	Cat. no.	Qty.	Outer Ø Da - Inner Ø Di (mm)	Thread length L (mm)	TL (mm)
VEM-MS 12/16	17700.2	100	12x1.5 - 16x1.5	5	15
VEM-MS 16/20	17701.2	100	16x1.5 - 20x1.5	5	17
VEM-MS 20/25	17702.2	50	20x1.5 - 25x1.5	6	19
VEM-MS 25/32	17703.2	50	25x1.5 - 32x1.5	7	21
VEM-MS 32/40	17704.2	50	32x1.5 - 40x1.5	8	24
VEM-MS 40/50	17705.2	25	40x1.5 - 50x1.5	8	31
VEM-MS 50/63	17706.2	10	50x1.5 - 63x1.5	9	31

Brass screw plugs / metric thread

V/M

Material: nickel-plated brass, protection class: IP 54



Type	Cat. no.	Qty.	Head Ø (mm)	Thread length L (mm)	TL (mm)
V/M 12 x 1.5-MS	4178.2	100	16	5	7.5
V/M 16 x 1.5-MS	4179.2	100	20	5	8
V/M 20 x 1.5-MS	4180.2	100	24	6.5	9.5
V/M 25 x 1.5-MS	4181.2	100	28	7	11
V/M 32 x 1.5-MS	4182.2	50	35	8	12
V/M 40 x 1.5-MS	4183.2	50	45	8.5	13
V/M 50 x 1.5-MS	4184.2	25	55	9	15
V/M 63 x 1.5-MS	4185.2	10	68	10	16

Brass locknuts / metric thread

S/M

Material: nickel-plated brass



Type	Cat. no.	Qty.	Spanner width AF (mm)	TL (mm)
S/M 12 x 1.5-MS	4186.2	100	15	2.8
S/M 16 x 1.5-MS	4187.2	100	19	2.8
S/M 20 x 1.5-MS	4188.2	100	24	3
S/M 25 x 1.5-MS	4189.2	100	30	3.5
S/M 32 x 1.5-MS	4190.2	100	36	4
S/M 40 x 1.5-MS	4191.2	50	46	5
S/M 50 x 1.5-MS	4192.2	50	60	5
S/M 63 x 1.5-MS	4193.2	50	70	6
S/M 75 x 1.5-MS	17737.2	1	80	8

Brass EMC earth insert, acc. to DIN 89345 / metric thread

VEE-MS

Material: chrome-plated brass
For use in KV/M brass cable glands

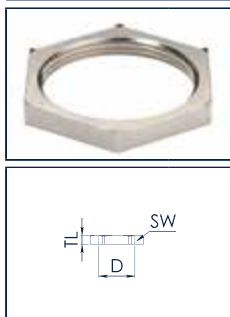


Type	Cat. no.	Qty.	For cable Ø (mm)	For cable gland
VEE-MS 12-05	17720.2	1	5	KV/M 12 x 1.5-MS
VEE-MS 16-07	17721.2	1	7.5	KV/M 16 x 1.5-MS
VEE-MS 18-09	17722.2	1	9.5	KV/M 20 x 1.5-MS
VEE-MS 24-16	17723.2	1	16	KV/M 25 x 1.5-MS
VEE-MS 36-20	17724.2	1	20	KV/M 32 x 1.5-MS
VEE-MS 36-26	17725.2	1	26	KV/M 40 x 1.5-MS
VEE-MS 45-33	17726.2	1	33	KV/M 50 x 1.5-MS
VEE-MS 56-45	17727.2	1	45	KV/M 63 x 1.5-MS

Brass EMC locknuts with teeth / metric thread



S/M

Material: nickel-plated brass



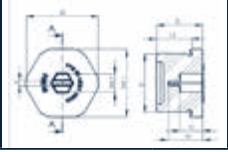
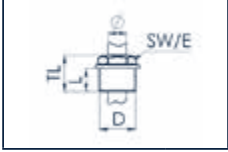


Type	Cat. no.	Qty.	Spanner width AF (mm)	TL (mm)
S/M 12-MS/EMV	17728.2	100	15	4.7
S/M 16-MS/EMV	17729.2	100	19	4.7
S/M 20-MS/EMV	17730.2	100	24	4.7
S/M 25-MS/EMV	17731.2	100	30	5.2
S/M 32-MS/EMV	17732.2	100	36	5.7
S/M 40-MS/EMV	17733.2	50	46	6.5
S/M 50-MS/EMV	17734.2	50	60	7.7
S/M 63-MS/EMV	17735.2	25	70	6

Metric cable gland systems KV/M

Reducing seal insert for metric cable glands				VRDE	Connection-thread sealing rings for metric cable glands				D/M
Material: thermo-plastic elastomer, protection class: IP 68 Colour: black, temperature range: -40 °C to +100 °C Fits with all metric-sized plastic and brass cable glands.					Material: EPDM Colour: black, temperature range: -40 °C to +130 °C Provides additional sealing for the housing/cable gland connection				
Type	Cat. no.	Qty.	For cable ø (mm)	For cable gland	Type	Cat. no.	Qty.	TL (mm)	For cable gland
VRDE 12 BK ●	17639.4	50	1 – 3	M12	D/M 12 BK ●	17760.4	100	2	M12
VRDE 16 BK ●	17640.4	50	2 – 6	M16	D/M 16 BK ●	17761.4	100	2	M16
VRDE 20 BK ●	17641.4	50	4 – 8	M20	D/M 20 BK ●	17762.4	100	2	M20
VRDE 25 BK ●	17642.4	25	7 – 12	M25	D/M 25 BK ●	17763.4	100	2	M25
VRDE 32 BK ●	17643.4	25	9 – 14	M32	D/M 32 BK ●	17764.4	100	2	M32
VRDE 40 BK ●	17644.4	10	12 – 20	M40	D/M 40 BK ●	17765.4	100	2	M40
VRDE 50 BK ●	17645.4	10	16 – 25	M50	D/M 50 BK ●	17766.4	100	2	M50
VRDE 63 BK ●	17646.4	10	28 – 38	M63	D/M 63 BK ●	17767.4	100	2	M63

Multiple seal inserts for metric cable glands				VMD	Seal plugs				KDS/KES-VS	
Material: thermo-plastic elastomer Protection class: IP 66 Colour: black, temperature range: -40 °C to +100 °C Fits with all metric-sized plastic and brass cable glands.					Material: polyamide PA 6,6, Protection class: IP 66 Colour: white, temperature range: -40 °C to +120 °C Flammability: UL 94 V-0 Halogen-free, silicone-free					
Type	Cat. no.	Qty.	For cable ø (mm)	Number of cables	For cable gland	Type	Cat. no.	Qty.	For cable ø (mm)	Head diameter (mm)
VMD 12/04/020 BK ●	17647.4	25	0 – 2	4	M12	KDS/KES-VS 2 WH ○	28781.7	25	2	5
VMD 16/02/040 BK ●	17648.4	25	2 – 4	2	M16	KDS/KES-VS 3 WH ○	28782.7	25	3	6
VMD 20/02/060 BK ●	17649.4	25	4 – 6	2	M20	KDS/KES-VS 4 WH ○	28783.7	25	4	7
VMD 20/02/065 BK ●	17650.4	25	5 – 6.5	2	M20	KDS/KES-VS 5 WH ○	28784.7	25	5	8
VMD 20/03/040 BK ●	17651.4	25	2.5 – 4	3	M20	KDS/KES-VS 6 WH ○	28785.7	25	6	9
VMD 25/01/065 BK ●	17652.4	25	4 – 6.5	1	M25	KDS/KES-VS 7 WH ○	28786.7	25	7	10
VMD 25/02/060 BK ●	17653.4	25	4 – 6	2	M25	KDS/KES-VS 8 WH ○	28787.7	25	8	11
VMD 25/02/070 BK ●	17654.4	25	5 – 7	2	M25	KDS/KES-VS 9 WH ○	28788.7	25	9	12
VMD 25/02/080 BK ●	17655.4	25	6 – 8	2	M25	KDS/KES-VS 10 WH ○	28789.7	25	10	13
VMD 25/03/070 BK ●	17656.4	25	5 – 7	3	M25	KDS/KES-VS 11 WH ○	28790.7	25	11	14
VMD 25/04/060 BK ●	17657.4	25	4 – 6	4	M25	KDS/KES-VS 12 WH ○	28791.7	25	12	15
VMD 32/04/070 BK ●	17658.4	25	5 – 7	4	M32	KDS/KES-VS 13 WH ○	28792.7	25	13	16
VMD 32/04/080 BK ●	17659.4	25	6 – 8	4	M32	KDS/KES-VS 14 WH ○	28793.7	25	14	17
VMD 32/06/060 BK ●	17660.4	25	5 – 6	6	M32	KDS/KES-VS 15 WH ○	28794.7	25	15	18
VMD 40/07/070 BK ●	17661.4	25	5 – 7	7	M40	KDS/KES-VS 16 WH ○	28795.7	25	16	19
VMD 40/07/080 BK ●	17662.4	25	6 – 8	7	M40	KDS/KES-VS 17 WH ○	28796.7	25	17	20
VMD 40/08/060 BK ●	17663.4	25	5 – 6	8	M40	KDS/KES-VS 22 WH ○	28797.7	25	22	25
VMD 50/09/080 BK ●	17664.4	25	6 – 8	9	M50					

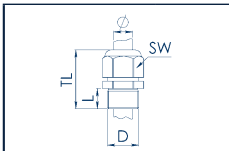
EX plastic screw plugs / metric thread				VSG/MEX	Plastic self-sealing grommet nipple / metric thread				VMN			
Explosion protection: II 2 G Ex eb IIC GB, certificates: PTB 06 ATEX 1032 X Material: polyamide, seal: EPDM, Protection class: IP 68, colour: RAL 9001 black Temperature range: -40 °C to +75 °C					Material: polyethylene, protection class: IP 54, Colour: RAL 7035 light grey, Temperature range: -20 °C to +80 °C							
												
Type	Cat. no.	Qty.	For cable gland	Spanner width AF (mm)	TL (mm)	Type	Cat. no.	Qty.	For cable gland	For cable ø (mm)	Spanner width AF (mm)	TL (mm)
VSG/MEX 12 BK ●	17780.4	100	M12	16	19	VMN 12 x 1.5 GR ●	17790.2	100	M12	3.5 – 6	12	17
VSG/MEX 16 BK ●	17781.4	100	M16	20	19	VMN 16 x 1.5 GR ●	17791.2	100	M16	5 – 10	15	17
VSG/MEX 20 BK ●	17782.4	100	M20	24	19	VMN 20 x 1.5 GR ●	17792.2	50	M20	8 – 13.5	19	20
VSG/MEX 25 BK ●	17783.4	100	M25	29	20	VMN 25 x 1.5 GR ●	17793.2	25	M25	9 – 16	24	22
VSG/MEX 32 BK ●	17784.4	50	M32	36	20	VMN 32 x 1.5 GR ●	17794.2	20	M32	11 – 22	30	25
VSG/MEX 40 BK ●	17785.4	30	M40	46	20	VMN 40 x 1.5 GR ●	17795.2	20	M40	17 – 24	37	28
VSG/MEX 50 BK ●	17786.4	30	M50	55	20	VMN 50 x 1.5 GR ●	17796.2	10	M50	22 – 35	46	31
VSG/MEX 63 BK ●	17787.4	30	M63	68	20	VMN 63 x 1.5 GR ●	17797.2	5	M63	24 – 43	56	37
VSG/MEX 75 BK ●	17788.4	30	M75	82	20							

Cable gland system KV/PG

Plastic cable glands / PG thread

KV/PG

Material: polyamide UL94-VO, protection class: IP 68-5-bar,
Colour: RAL 7035 light grey, colour variant: RAL 9005 black,
Seal: EPDM,
Temperature range: -20 °C to +80 °C

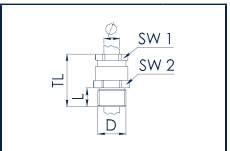


Type	Cat. no.	Qty.	For cable Ø (mm)	Thread length L (mm)	Spanner width AF (mm)	TL (mm)
KV/PG 7 GR ●	4515.2	100	3-6	9	15	28-32
KV/PG 7 BK ●	4515.4	100	3-6	9	15	28-32
KV/PG 9 GR ●	4516.2	100	4-8	9	19	32-36
KV/PG 9 BK ●	4516.4	100	4-8	9	19	32-36
KV/PG 11 GR ●	4517.2	100	5-10	9	22	33-39
KV/PG 11 BK ●	4517.4	100	5-10	9	22	33-39
KV/PG 13.5 GR ●	4518.2	100	6-12	10	24	35-41
KV/PG 13.5 BK ●	4518.4	100	6-12	10	24	35-41
KV/PG 16 GR ●	4519.2	50	8-14	11	27	38-44
KV/PG 16 BK ●	4519.4	50	8-14	11	27	38-44
KV/PG 21 GR ●	4520.2	50	10-18	11	33	43-50
KV/PG 21 BK ●	4520.4	50	10-18	11	33	43-50
KV/PG 29 GR ●	4521.2	20	16-25	12	42	47-56
KV/PG 29 BK ●	4521.4	20	16-25	12	42	47-56
KV/PG 36 GR ●	4522.2	10	22-32	14	53	56-65
KV/PG 36 BK ●	4522.4	10	22-32	14	53	56-65
KV/PG 42 GR ●	4523.2	5	28-38	14	60	58-67
KV/PG 42 BK ●	4523.4	5	28-38	14	60	58-67
KV/PG 48 GR ●	4524.2	4	36-44	15	65	60-68
KV/PG 48 BK ●	4524.4	4	36-44	15	65	60-68

Plastic cable glands / PG thread

KVC/PG

Material: polyamide glass-fibre reinforced, protection class: IP 54
Colour: RAL 7035 light grey, plastic pressure ring
Temperature range: -20 °C to +80 °C

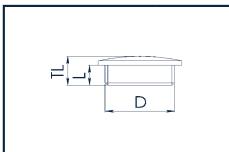


Type	Cat. no.	Qty.	For cable Ø (mm)	Thread length L (mm)	Spanner width AF (mm)	TL (mm)
KVC/PG 7 GR ●	4525.2	50	3.5-6	8	15	28
KVC/PG 9 GR ●	4526.2	50	4.5-7	8	19	30
KVC/PG 11 GR ●	4527.2	50	6-9	8	22	31
KVC/PG 13.5 GR ●	4528.2	50	9-12	9	24	35
KVC/PG 16 GR ●	4529.2	50	11-14	10	27	38
KVC/PG 21 GR ●	4530.2	25	14-18	11	33	43
KVC/PG 29 GR ●	4531.2	20	18-25	11	42	44
KVC/PG 36 GR ●	4532.2	10	25-32	13	53	54
KVC/PG 42 GR ●	4533.2	10	30-38	13	60	57
KVC/PG 48 GR ●	4534.2	5	38-44	15	65	60

Plastic screw plugs / PG thread

V/PG

Material: impact-resistant polystyrene, Protection: IP 56
Colour: RAL 7035 light grey,
Temperature range: -20 °C to +60 °C

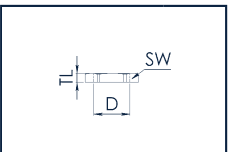


Type	Cat. no.	Qty.	Head Ø (mm)	Thread length L (mm)	TL (mm)
V/PG 7 GR ●	4515.6	100	15	6	8
V/PG 9 GR ●	4516.6	100	19	6	9
V/PG 11 GR ●	4517.6	100	22	6	9
V/PG 13.5 GR ●	4518.6	100	25	6	9.5
V/PG 16 GR ●	4519.6	100	27	6	9.5
V/PG 21 GR ●	4520.6	100	33	8	11
V/PG 29 GR ●	4521.6	100	44	8	12
V/PG 36 GR ●	4522.6	25	55	10	15
V/PG 42 GR ●	4523.6	25	62	10	16
V/PG 48 GR ●	4524.6	25	69	12	16

Plastic locknuts / PG thread



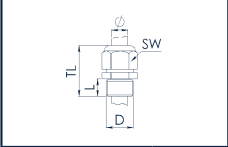
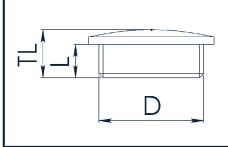
S/PG


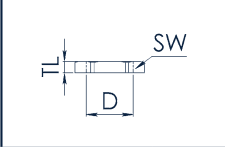
Material: polyamide, glass-fibre reinforced,
Colour: RAL 7035 light grey
Temperature range: -40 °C to +100 °C
Colour variant: RAL 9005 black



Type	Cat. no.	Qty.	Spanner width AF (mm)	TL (mm)
S/PG 7 GR ●	4515.8	100	19	5
S/PG 7 BK ●	4515.0	100	19	5
S/PG 9 GR ●	4516.8	100	22	5
S/PG 9 BK ●	4516.0	100	22	5
S/PG 11 GR ●	4517.8	100	24	5
S/PG 11 BK ●	4517.0	100	24	5
S/PG 13.5 GR ●	4518.8	100	27	6
S/PG 13.5 BK ●	4518.0	100	27	6
S/PG 16 GR ●	4519.8	100	30	6
S/PG 16 BK ●	4519.0	100	30	6
S/PG 21 GR ●	4520.8	100	3	7
S/PG 21 BK ●	4520.0	100	3	7
S/PG 29 GR ●	4521.8	100	46	7
S/PG 29 BK ●	4521.0	100	46	7
S/PG 36 GR ●	4522.8	25	60	8
S/PG 36 BK ●	4522.0	25	60	8
S/PG 42 GR ●	4523.8	25	73	8
S/PG 42 BK ●	4523.0	25	73	8
S/PG 48 GR ●	4524.8	10	78	8
S/PG 48 BK ●	4524.0	10	78	8

Cable gland system KV/PG

Brass cable glands / PG thread					KV/PG		Brass screw plugs / PG thread				V/PG	
Material: nickel-plated brass, protection class: IP 68-5-bar, Seal: EPDM, Temperature range: -25 °C to +80 °C							Material: nickel-plated brass, protection class: IP 54					
												
Type	Cat. no.	Qty.	For cable ø (mm)	Thread length L (mm)	Spanner width (mm)	AF TL (mm)	Type	Cat. no.	Qty.	Head Ø (mm)	Thread length L (mm)	TL (mm)
KV/PG 7-MS	4535.2	100	3 – 6.5	6	14	23	V/PG 7-MS	4535.6	100	14	5	8
KV/PG 9-MS	4536.2	100	4 – 8	6	17	29	V/PG 9-MS	4536.6	100	17	6	9
KV/PG 11-MS	4537.2	50	5 – 10	6.5	20	30	V/PG 11-MS	4537.6	100	20	6	9
KV/PG 13.5-MS	4538.2	50	6 – 12	6.5	22	32	V/PG 13.5-MS	4538.6	100	22	6.5	9.5
KV/PG 16-MS	4539.2	50	10 – 14	6	24	32	V/PG 16-MS	4539.6	100	24	6.5	9.5
KV/PG 21-MS	4540.2	50	13 – 18	7	30	35	V/PG 21-MS	4540.6	100	30	7	11
KV/PG 29-MS	4541.2	25	18 – 25	8	40	40	V/PG 29-MS	4541.6	50	39	8	12
KV/PG 36-MS	4542.2	10	22 – 32	9	50	45	V/PG 36-MS	4542.6	50	50	9	15
KV/PG 42-MS	4543.2	5	30 – 38	12	57	48	V/PG 42-MS	4543.6	25	57	10	16
KV/PG 48-MS	4544.2	5	34 – 44	14	64	50	V/PG 48-MS	4544.6	25	64	10	16

Brass locknuts / PG thread			S/PG	
Material: nickel-plated brass				
				
Type	Cat. no.	Qty.	Spanner width (mm)	AF TL (mm)
S/PG 7-MS	4535.8	100	15	2.8
S/PG 9-MS	4536.8	100	18	2.8
S/PG 11-MS	4537.8	100	21	3
S/PG 13.5-MS	4538.8	100	23	3
S/PG 16-MS	4539.8	100	26	3
S/PG 21-MS	4540.8	100	32	3.5
S/PG 29-MS	4541.8	100	41	4
S/PG 36-MS	4542.8	50	51	5
S/PG 42-MS	4543.8	50	60	5
S/PG 48-MS	4544.8	50	64	5.5

DIN rail cutters and punching tools TS-PSS / TS-PS eco

Punching and cutting tools are used during the installation and assembly of switchgear cabinets. They can be used to cut DIN rails to the proper length and to punch the required fastening holes.

DIN rail cutters and punching tools

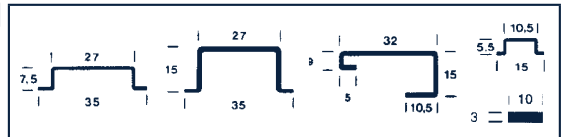
The **TS-PSS 2** DIN rail cutter and punching tool is designed for manually shortening and punching holes in DIN rails (TS 15, TS 35, TS 32) and busbars (10 x 3 mm). The tool can be mounted on a workbench or similar working surface. It can also punch holes of varying dimensions in customized positions.

Features:

- Minimal effort
- Quick, quiet and burr-free cross-cuts
- Holes can be punched out in any position
- Cutting disk can be re-sharpened or easily replaced

A cross-hole/slotted-hole punch (12 x 6.4 mm) is included in the delivery.

TS-PSS 2



Rail dimensions

Weight, kg

14.2

Type

TS-PSS 2

Cat. no.

Qty.

3894.0

1

Technical data

Lever length, mm

1000

Length limit

1000 mm, metric and inch

Accessories / Replacements

Replacement punch + die, 12 x 6.4 mm, lengthwise slot

SMSST/L 12 x 6.4 mm

Cat. no.

Qty.

3898.0

1

Replacement punch + die, 12 x 6.4 mm, crosswise slot

SMSST/Q 12 x 6.4 mm

Cat. no.

Qty.

3898.1

1

Replacement punch + die, Ø 5.5 mm, round hole

SMSST/R 5.5 mm

Cat. no.

Qty.

3898.2

1

Replacement punch + die, Ø 6.0 mm, round hole

SMSST/R 6 mm

Cat. no.

Qty.

3898.3

1

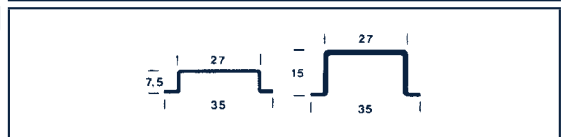
DIN rail cutter

The **TS-PS eco** DIN rail cutter is a manual tool designed for cutting DIN TS 35 rails into shorter sections. The TS-PS eco has a quiet and quick cutting process which leaves no burrs on the rail. The result is a fine, straight cut that does not result in any bending of the rail. The tool can be attached to a workbench or mounted at a workstation.

Features:

- Minimal effort
- Quick, quiet and burr-free cross-cuts
- Maintenance-free
- Versatile: with metric or inch measurement scale
- Cutting plate can be re-sharpened or easily replaced

TS-PS eco



Rail dimensions

Weight, kg

8.6

Type

TS-PS eco

Cat. no.

Qty.

3895.0

1

Technical data

Lever length, mm

1000

Length limit

1000 mm, metric and inch

DIN rails TS

DIN rails TS 32 / TS 35

The design of the **TS** DIN rail complies with the European norm DIN EN 60715. The steel DIN rails are galvanized and have a coating of blue chromate that is at least 10 µm thick. We place extra importance on maintaining a high degree of dimensional accuracy. The steel DIN rails can be used as protective-earth busbars (with PE function) in compliance with DIN VDE 0611 part 3. Please note the following when using the rail as a PEN busbar:

- Only one E-Cu rail should be used.
- The short-circuit currents and the rated thermal currents must be observed.

The DIN rails are delivered in standard lengths of 2 meters. All DIN rails are also available in prepared (cut to length) versions, but all types are available pre-cut to customers requirements.




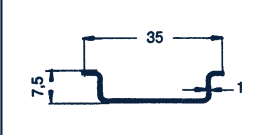
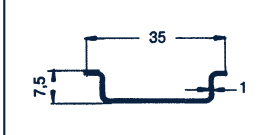
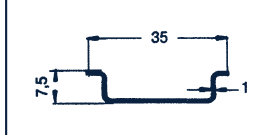


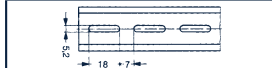
Type / colour	
Cat. no.	Qty.
Features	
Material	
Processing	
Coating	
Accessories	
Cat. no.	Qty.





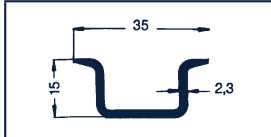
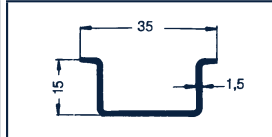


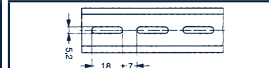
TS 35	TS 35	TS 35
TS 35 x 7.5 UGL	TS 35 x 7.5 GL	TS 35 x 7.5 GL (6.2 x 18 mm)
2026.0	2094.0	2704.0
2 m	2 m	2 m
Steel	Steel	Steel
Solid	Slotted: 5.2 mm x 18 mm	Slotted: 6.2 mm x 18 mm
Galvanized, thick-film passivated	Galvanized, thick-film passivated	Galvanized, thick-film passivated

DIN rails TS 35

Type / colour	
Cat. no.	Qty.
Features	
Material	
Processing	
Coating	
Accessories	
Cat. no.	Qty.

TS 35	TS 35	TS 35
TS 35 x 15 UGL	TS 35 x 15 GL	TS 35 x 15 GL (6.2 x 18 mm)
2027.0	2095.0	4566.0
2 m	2 m	2 m
Steel	Steel	Steel
Solid	Slotted: 5.2 mm x 18 mm	Slotted: 6.2 mm x 18 mm
Galvanized, thick-film passivated	Galvanized, thick-film passivated	Galvanized, thick-film passivated



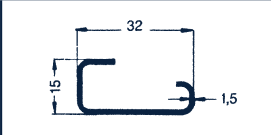
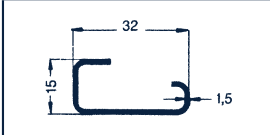

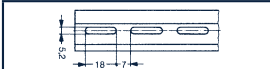
TS 35	TS 35	TS 35
		
		
		
TS 35 x 7.5 ALU UGL 2710.0 2 m	TS 35 x 7.5 steel UGL/galvanized 4562.0 2 m	TS 35 x 7.5 steel GL/galvanized 4563.0 2 m
Aluminium Solid	Steel Solid galvanized	Steel Slotted: 5.2 mm x 18 mm galvanized




TS 35	TS 35	TS 35	TS 35
			
			
			
TS 35 x 15/ 2.3 UGL 2038.0 2 m	TS 35 x 15/2.3 GL 2039.0 2 m	TS 35 x 15 steel UGL/galvanized 4561.0 2 m	TS 35 x 15 steel GL/galvanized 4564.0 2 m
Steel Solid Galvanized, thick-film passivated	Steel Slotted: 5.2 mm x 18 mm Galvanized, thick-film passivated	Galvanized steel Solid galvanized	Steel Slotted: 5.2 mm x 18 mm galvanized

DIN rails TS | DIN rail brackets TSTW/TST

DIN rails TS 15		TS 15	TS 15	TS 15
<p>The design of the TS DIN rail complies with the European norm DIN EN 60715. The steel DIN rails are galvanized and have a coating of blue chromate that is at least 10 µm thick. We place extra importance on maintaining a high degree of dimensional accuracy. The steel DIN rails can be used as protective-earth busbars (with PE function) in compliance with DIN VDE 0611 part 3. Please note the following when using the rail as a PEN busbar:</p> <ul style="list-style-type: none"> • Only one E-Cu rail should be used. • The short-circuit currents and the rated thermal currents must be observed. <p>The DIN rails are delivered in standard lengths of 2 meters. All DIN rails are also available in prepared (cut to length) versions, but all types are available pre-cut to customers requirements.</p>				
Type / colour		TS 15 UGL	TS 15 GL	TS 15 ALU UGL
<i>Cat. no.</i>	Qty.	2091.0	2092.0	2711.0
		2 m	2 m	2 m
Features				
Material		Steel	Steel	Aluminium
Processing		Solid	Slotted: 4.2 mm x 12 mm	Solid
Coating		Galvanized, thick-film passivated	Galvanized, thick-film passivated	
Accessories				
<i>Cat. no.</i>	Qty.			




DIN rail brackets TSTW/TST		TSTW/M6	TSTW/M5	TSTW/F/M6
		DIN rail bracket M6	DIN rail bracket M5	DIN rail bracket M6
Type / colour		TSTW/M6	TSTW/M6	TSTW/F/M6
<i>Cat. no.</i>	Qty.	2303.0	2414.0	2563.0
		10	10	10
Features				
Material		Steel	Steel	Steel
Drill hole		M 6	M 5	M 6
Height, mm		48 mm	48 mm	32 mm
Coating		Galvanized, thick-film passivated	Galvanized, thick-film passivated	Galvanized, thick-film passivated
Accessories				
Screw		BS M 6 x 12/15	BS M 5 x 8/15	BS M 6 x 12/15
<i>Cat. no.</i>	Qty.	2304.0	2415.0	2304.0
		50	50	50

TS 32		TS 32	
			
			
			
TS 32 UGL 2025.0	2 m	TS 32 GL 2093.0	2 m
Steel		Steel	
Solid		Slotted: 5.2 mm x 18 mm	
Galvanized, thick-film passivated		Galvanized, thick-film passivated	

TSTW/F/M5		TST/M6		TST/M5	
					
DIN rail bracket M5		DIN rail bracket M6		DIN rail bracket M5	
TSTW/F/M5 2564.0	10	TST/M6 2737.0	10	TST/M5 2736.0	10
Steel		Steel		Steel	
M 5		M 6		M 5	
32 mm		20 mm		20 mm	
Galvanized, thick-film passivated		Galvanized, thick-film passivated		Galvanized, thick-film passivated	
BS M 5 x 8/15 2415.0	50	BS M 6 x 12/15 2304.0	50	BS M 5 x 8/15 2415.0	50

End stops | End supports

End stops TS 35		ES 35	ES 35/2/K	ES 35/K/ST
End stops are necessary for preventing movement of components along the rail. They are put in at the beginning and at the end of the rail assembly. Depending on the DIN rail, they differ in the dimensions of the mounting foot and their screw-on or snap-on design.				
		Screw end stop	Screw end stop	Screw end stop
Size (L x W x H), mm		46 mm x 7.5 mm x 32 mm	50 mm x 8 mm x 47 mm	50 mm x 9.5 mm x 44 mm
Type / colour		ES 35 BG ●	ES 35/2/K BG ●	ES 35/K/ST BG ●
Cat. no.	Qty.	2005.2	2826.2	2828.0
		50	50	50
Type / colour				
Cat. no.	Qty.			
Type / colour		ES 35 GR ●		ES 35/K/ST GR ●
Cat. no.	Qty.	2005.6		2828.6
		50		50
Features				
Material		PA 6.6 V-2	PA 6.6 V-2	PA 6.6 V-2
DIN rail		TS 35	TS 35	TS 35
Terminal width, mm		7.5 mm	8 mm	9.5 mm

End stops TS 32		ES 32	ES 32/2/K	ES 32/2K/ST
				
		Screw end stop	Screw end stop	Screw end stop
Size (L x W x H), mm		27 mm x 7.5 mm x 44 mm	48 mm x 8 mm x 49 mm	50 mm x 9.5 mm x 44 mm
Type / colour		ES 32 BG ●	ES 32/2/K BG ●	ES 32/2K/ST BG ●
Cat. no.	Qty.	2004.2	2825.2	2827.0
		50	50	50
Type / colour				
Cat. no.	Qty.			
Features				
Material		PA 6.6 V-2	PA 6.6 V-2	PA 6.6 V-2
DIN rail		TS 35	TS 35	TS 35
Terminal width, mm		7.5 mm	8 mm	9.5 mm

HES 35 ST	SHES 35	ZES 35	ZES 35/2	SES 35
				
Screw end stop	Screw end stop	No-screw end stop	No-screw end stop	No-screw end stop
49 mm x 11 mm x 69 mm HES 35/ST BG ● 2761.0 50	66 mm x 13.4 mm x 60.5 mm SHES 35 BG ● 17259.2 20	59 mm x 6 mm x 39 mm ZES 35 BG ● 3748.2 50	49 mm x 5 mm x 34 mm ZES 35/2 BG ● 3811.2 50	48 mm x 8 mm x 47.1 mm SES 35 BG ● 17250.2 50 SES 35 BK ● 17250.4 50 SES 35 GR ● 17250.6 50
Steel TS 35 11 mm	Steel PA 6.6 V-2 TS 35 13.4 mm	PA 6.6 V-2 TS 35 6 mm	PA 6.6 V-2 TS 35 5 mm	PA 6.6 V-2 TS 35 8 mm

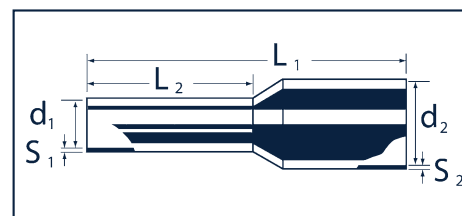
ES 32/35	HES 32 ST	End stops TS 15	ES 15	ZES 15
				
Screw end stop	Screw end stop		Screw end stop	No-screw end stop
52 mm x 9.5 mm x 47 mm ES 32/35 BG ● 1424.2 50	49 mm x 11 mm x 69 mm HES 32/ST BG ● 2760.0 50	Size (L x W x H), mm Type / colour Cat. no. Qty. Type / colour Cat. no. Qty. Features	26 mm x 7.5 mm x 22 mm ES 15 BG ● 2074.2 50 ES 15 GR ● 2074.6 50	27 mm x 5 mm x 24 mm ZES 15 BG ● 3812.2 50
PA 6.6 V-2 TS 35 / TS 32 9.5 mm	Steel TS 32 11 mm	Material DIN rail Terminal width, mm	PA 6.6 V-2 TS 15 7.5 mm	PA 6.6 V-2 TS 15 5 mm

Wire-end ferrules with plastic collars
























Wire-end ferrules with plastic collars											CONTA-CLIP Standard			
Image	Cross-section, mm ²	AWG	Stripping length mm ²	Dimensions, mm							Type	Colour	Cat. no.	Qty.
				L ₁	L ₂	d ₁	S ₁	d ₂	S ₂					
	0.25	24	8	10	6	0.85	0.15	1.8	0.25	● H 0.25/10 LB	Light blue	2620.0	500	
	0.25	24	10	12	8	0.85	0.15	1.8	0.25	● H 0.25/12 LB	Light blue	2621.0	500	
	0.34	22	8	10	6	0.85	0.15	2	0.25	● H 0.34/10 CY	cyan	2622.0	500	
	0.34	22	10	12	8	0.85	0.15	2	0.25	● H 0.34/12 CY	cyan	2623.0	500	
	0.5	20	8	12	6	1	0.15	2.6	0.25	● H 0.5/12 OG	Orange	2397.0	500	
	0.5	20	10	14	8	1	0.15	2.6	0.25	● H 0.5/14 OG	Orange	2201.0	500	
	0.5	20	12	16	10	1	0.15	2.6	0.25	● H 0.5/16 OG	Orange	3116.0	500	
	0.75	18	8	12	6	1.2	0.15	2.8	0.25	○ H 0.75/12 WH	White	2398.0	500	
	0.75	18	10	14	8	1.2	0.15	2.8	0.25	○ H 0.75/14 WH	White	2202.0	500	
	0.75	18	12	16	10	1.2	0.15	2.8	0.25	○ H 0.75/16 WH	White	3117.0	500	
	0.75	18	14	18	12	1.2	0.15	2.8	0.25	○ H 0.75/18 WH	White	3118.0	500	
	1	17	8	12	6	1.4	0.15	3	0.25	● H 1.0/12 YE	Yellow	2399.0	500	
	1	17	10	14	8	1.4	0.15	3	0.25	● H 1.0/14 YE	Yellow	2203.0	500	
	1	17	12	16	10	1.4	0.15	3	0.25	● H 1.0/16 YE	Yellow	3119.0	500	
	1	17	14	18	12	1.4	0.15	3	0.25	● H 1.0/18 YE	Yellow	3120.0	500	
	1.5	16	10	14	8	1.7	0.15	3.5	0.25	● H 1.5/14 RD	Red	2204.0	500	
	1.5	16	12	16	10	1.7	0.15	3.5	0.25	● H 1.5/16 RD	Red	2400.0	500	
	1.5	16	14	18	12	1.7	0.15	3.5	0.25	● H 1.5/18 RD	Red	2814.0	500	
	1.5	16	20	24	18	1.7	0.15	3.5	0.25	● H 1.5/24 RD	Red	2205.0	500	
	2.5	14	10	15	8	2.2	0.15	4.2	0.25	● H 2.5/14-D BU	Blue	2845.0	500	
	2.5	14	14	19	12	2.2	0.15	4.2	0.25	● H 2.5/18-D BU	Blue	2846.0	500	
	2.5	14	20	25	18	2.2	0.15	4.2	0.25	● H 2.5/24-D BU	Blue	2847.0	500	
	4	12	12	18	10	2.8	0.2	4.8	0.3	● H 4.0/18-D GR	Grey	2848.0	500	
	4	12	14	20	12	2.8	0.2	4.8	0.3	● H 4.0/20-D GR	Grey	2849.0	500	
	4	12	20	26	18	2.8	0.2	4.8	0.3	● H 4.0/26-D GR	Grey	2850.0	500	
	6	10	14	20	12	3.5	0.2	6.3	0.3	● H 6.0/20 BK	Black	2210.0	100	
	6	10	20	26	18	3.5	0.2	6.3	0.3	● H 6.0/26 BK	Black	2211.0	100	
	10	8	15	22	12	4.5	0.2	7.6	0.4	○ H 10.0/22 IV	ivory	2212.0	100	
	10	8	21	28	18	4.5	0.2	7.6	0.4	○ H 10.0/28 IV	ivory	2213.0	100	
	16	6	15	22	12	5.8	0.2	8.8	0.4	● H 16.0/22 GN	Green	2214.0	100	
	16	6	21	28	18	5.8	0.2	8.8	0.4	● H 16.0/28 GN	Green	2215.0	100	
	25	4	18	30	16	7.3	0.2	11.2	0.4	● H 25.0/30 BN	Brown	2267.0	50	
	25	4	24	36	22	7.3	0.2	11.2	0.4	● H 25.0/36 BN	Brown	2272.0	50	
	35	2	19	30	16	8.3	0.2	12.7	0.4	● H 35.0/30 BG	Beige	2276.0	50	
	35	2	21	32	18	8.3	0.2	12.7	0.4					
	35	2	28	39	25	8.3	0.2	12.7	0.4	● H 35.0/39 BG	Beige	2390.0	50	
	50	1	26	36	20	10.3	0.3	15	0.5	● H 50.0/36 OL	olive	2500.0	50	
	50	1	31	41	25	10.3	0.3	15	0.5					
	70	2/0	26	37	21	12.7	0.35	16	0.6	● H 70.0/37 YE	Yellow	2786.0	25	
	95	3/0	31	44	25	14.7	0.35	18	0.6	● H 95.0/44 RD	Red	2787.0	25	
	120	4/0	36	50	30	16.5	0.5	21	0.7	● H 120.0/50 BU	Blue	2788.0	25	
	150	250 MCM	38	54	32	18.5	0.5	23.5	0.75	● H 150.0/54 YE	Yellow	2789.0	25	





DIN Standard				T Standard			
Type	Colour	Cat. no.	Qty.	Type	Colour	Cat. no.	Qty.
				● H 0.25/10-T VT	violet	3123.0	500
				● H 0.25/12-T YE	Yellow	3124.0	500
				● H 0.34/10-T PI	pink	3125.0	500
				● H 0.34/12-T PI	pink	3126.0	500
○ H 0.5/12-D WH	White	2863.0	500	○ H 0.5/12-D WH	White	2863.0	500
○ H 0.5/14-D WH	White	2864.0	500	○ H 0.5/14-D WH	White	2864.0	500
○ H 0.5/16-D WH	White	2865.0	500	○ H 0.5/16-D WH	White	2865.0	500
● H 0.75/12-D GR	Grey	2866.0	500	● H 0.75/12-T LB	Light blue	3127.0	500
● H 0.75/14-D GR	Grey	2867.0	500	● H 0.75/14-T LB	Light blue	1059.0	500
● H 0.75/16-D GR	Grey	2868.0	500	● H 0.75/16-T LB	Light blue	3128.0	500
● H 0.75/18-D GR	Grey	2869.0	500	● H 0.75/18-T LB	Light blue	3129.0	500
● H 1.0/12-D RD	Red	2870.0	500	● H 1.0/12-D RD	Red	2870.0	500
● H 1.0/14-D RD	Red	2871.0	500	● H 1.0/14-D RD	Red	2871.0	500
● H 1.0/16-D RD	Red	2872.0	500	● H 1.0/16-D RD	Red	2872.0	500
● H 1.0/18-D RD	Red	2840.0	500	● H 1.0/18-D RD	Red	2840.0	500
● H 1.5/14-D BK	Black	2841.0	500	● H 1.5/14-D BK	Black	2841.0	500
● H 1.5/16-D BK	Black	2842.0	500	● H 1.5/16-D BK	Black	2842.0	500
● H 1.5/18-D BK	Black	2843.0	500	● H 1.5/18-D BK	Black	2843.0	500
● H 1.5/24-D BK	Black	2844.0	500	● H 1.5/24-D BK	Black	2844.0	500
● H 2.5/14-D BU	Blue	2845.0	500	● H 2.5/14-T GR	Grey	1069.0	500
● H 2.5/18-D BU	Blue	2846.0	500	● H 2.5/18-T GR	Grey	3130.0	500
● H 2.5/24-D BU	Blue	2847.0	500	● H 2.5/24-T GR	Grey	1089.0	500
● H 4.0/18-D GR	Grey	2848.0	500	● H 4.0/18-T OG	Orange	2041.0	500
● H 4.0/20-D GR	Grey	2849.0	500	● H 4.0/20-T OG	Orange	3131.0	500
● H 4.0/26-D GR	Grey	2850.0	500	● H 4.0/26-T OG	Orange	2073.0	500
● H 6.0/20-D YE	Yellow	2851.0	100	● H 6.0/20-T GN	Green	2130.0	100
● H 6.0/26-D YE	Yellow	2852.0	100	● H 6.0/26-T GN	Green	2133.0	100
● H 10.0/22-D RD	Red	2853.0	100	● H 10.0/22-T BN	Brown	2134.0	100
● H 10.0/28-D RD	Red	2854.0	100	● H 10.0/28-T BN	Brown	2144.0	100
● H 16.0/22-D BU	Blue	2855.0	100	○ H 16.0/22-T IV	White	2145.0	100
● H 16.0/28-D BU	Blue	2856.0	100	○ H 16.0/28-T IV	White	2510.0	100
● H 25.0/30-D YE	Yellow	2857.0	50	● H 25.0/30-T BK	Black	2511.0	50
● H 25.0/36-D YE	Yellow	2858.0	50	● H 25.0/36-T BK	Black	3132.0	50
● H 35.0/30-D RD	Red	2859.0	50				
● H 35.0/32-D RD	Red	3121.0	50				
● H 35.0/39-D RD	Red	2860.0	50				
● H 50.0/36-D BU	Blue	2861.0	50				
● H 50.0/41-D BU	Blue	3122.0	50				


If the individual strands at the ends of finely stranded wires need to be protected due to frequent connecting, then our CONTA-CLIP wire-end ferrules are an ideal solution. The ferrules must be crimped gas-tight with the ends of the wires. A simply distortion caused by the clamping force is not adequate. The wire-end ferrules can be crimped easily and securely with CONTA-CLIP crimping pliers. The resulting connections function properly both electrically and mechanically.










Funnel feed-in made of polypropylene.
Heat resistant up to 120°C.
For wires from 0.5 – 150 mm².
Material: E-Cu, galvanic tinned.

Wire-end ferrules for two wires with plastic collars											CONTA-CLIP Standard			
Cross-section, mm ²	AWG	Stripping length mm ²	Dimensions, mm								Type	Colour	Cat. no.	Qty.
			L ₁	L ₂	d ₁	S ₁	S ₂	A	B					
	2 x 0.5	2 x 20	11	14	8	1.4	0.15	0.3	5.0	3.0	● HZL/0.5 OG	Orange	3003.0	500
	2 x 0.5	2 x 20	13	16	16	1.4	0.15	0.3	5.0	3.0	● HZL/0.5 HL OG	Orange	3004.0	500
	2 x 0.5	2 x 20	15	18	12	1.4	0.15	0.3	5.0	3.0	● HZL/0.5 L OG	Orange	3005.0	500
	2 x 0.75	2 x 18	11	14	8	1.7	0.15	0.3	5.5	3.0	○ HZL/0.75 WH	White	3006.0	500
	2 x 0.75	2 x 18	13	16	10	1.7	0.15	0.3	5.5	3.0	○ HZL/0.75 HL WH	White	3007.0	500
	2 x 0.75	2 x 18	21	24	18	1.7	0.15	0.3	5.5	3.0	○ HZL/0.75 L WH	White	3008.0	500
	2 x 1	2 x 17	12	15	8	2.0	0.15	0.3	5.8	3.2	● HZL/1.0 YE	Yellow	3009.0	500
	2 x 1	2 x 17	16	19	12	2.0	0.15	0.3	5.8	3.2	● HZL/1.0 HL YE	Yellow	3010.0	500
	2 x 1	2 x 17	22	25	18	2.0	0.15	0.3	5.8	3.2	● HZL/1.0 L YE	Yellow	3011.0	500
	2 x 1.5	2 x 16	11	16	8	2.2	0.15	0.3	6.5	3.6	● HZL/1.5 RD	Red	3012.0	500
	2 x 1.5	2 x 16	15	20	12	2.2	0.15	0.3	6.5	3.6	● HZL/1.5 HL RD	Red	3013.0	500
	2 x 1.5	2 x 16	21	26	18	2.2	0.15	0.3	6.5	3.6	● HZL/1.5 L RD	Red	3014.0	100
	2 x 2.5	2 x 14	13	19	10	2.8	0.15	0.4	8.0	4.5	● HZL/2.5-D BU	Blue	2778.0	500
	2 x 2.5	2 x 14	15	21	12	2.8	0.15	0.4	8.0	4.5	● HZL/2.5 HL-D BU	Blue	2798.0	500
	2 x 2.5	2 x 14	21	27	18	2.8	0.15	0.4	8.0	4.5	● HZL/2.5 L-D BU	Blue	2998.0	100
	2 x 4	2 x 12	15	22	12	3.5	0.20	0.5	9.0	5.2	● HZL/4.0-D GR	Grey	2799.0	100
	2 x 4	2 x 12	21	28	18	3.5	0.20	0.5	9.0	5.2	● HZL/4.0 L-D GR	Grey	2999.0	100
	2 x 6	2 x 10	20	23	12	4.5	0.20	0.5	11.4	6.2	● HZL/6.0 BK	Black	3020.0	100
	2 x 6	2 x 10	24	29	18	4.5	0.20	0.5	11.4	6.2	● HZL/6.0 L BK	Black	3021.0	100
	2 x 10	2 x 8	17	24	12	5.8	0.20	0.5	13.4	7.6	○ HZL/10.0 IV	ivory	3022.0	100
	2 x 10	2 x 8	23	30	18	5.8	0.20	0.5	13.4	7.6	○ HZL/10.0 L IV	ivory	3023.0	100
	2 x 16	2 x 6	20	29	16	8.3	0.30	0.6	17.2	9.5	● HZL/16.0 GN	Green	3024.0	50
	2 x 16	2 x 6	29	38	25	8.3	0.30	0.6	17.2	9.5	● HZL/16.0 L GN	Green	3025.0	50

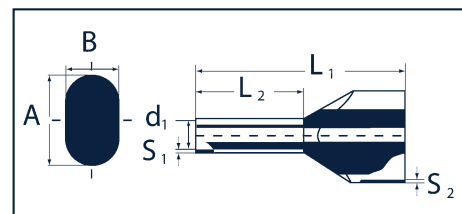
Wire-end ferrules for AWG wires with plastic collars										CONTA-CLIP Standard			
Cross-section, mm ²	AWG	Stripping length mm ²	Dimensions, mm							Type	Colour	Cat. no.	Qty.
			L ₁	L ₂	d ₁	S ₁	d ₂	S ₂					
	0.5	20	10	14	8	1.1	0.15	2.9	0.25	● H 0.5/8 AWG OG	Orange	3077.0	500
	0.75	18	10	14	8	1.2	0.15	3.4	0.25	○ H 0.75/8 AWG WH	White	3078.0	500
	1	7	10	14	8	1.4	0.15	3.5	0.25	● H 1.0/8 AWG YE	Yellow	3079.0	500
	1.5	6	10	14	8	1.7	0.15	4.0	0.25	● H 1.5/8 AWG RD	Red	3080.0	500

Wire-end ferrules for compact connection spaces										CONTA-CLIP Standard			
Cross-section, mm ²	AWG	Stripping length mm ²	Dimensions, mm							Type	Colour	Cat. no.	Qty.
			L ₁	L ₂	d ₁	S ₁	d ₂	S ₂					
	2.5	14	8	14	8	2.2	0.15	4	0.25	● H 2.5/14-D SR BU	Blue	3081.0	500
	4.0	12	12	20	12	2.8	0.2	4.7	0.30	● H 4.0/20-D SR GR	Grey	3194.0	500
	10	8	12	22	12	4.5	0.2	7.1	0.4	○ H 10.0/22-D SR IV	ivory	3026.0	100

Wire-end ferrules for cables protected against short circuits and earth leakages										DIN Standard			
Cross-section, mm ²	AWG	Stripping length mm ²	Dimensions, mm							Type	Colour	Cat. no.	Qty.
			L ₁	L ₂	d ₁	S ₁	d ₂	S ₂					
	1.5	16	8	17.5	8	1.8	0.15	6.4	0.30	● H 1.5/17.5 KS-D BK	Black	3082.0	100
	1.5	16	10	19.5	10	1.8	0.15	6.4	0.30	● H 1.5/19.5 KS-D BK	Black	3083.0	100
	2.5	14	8	17.5	8	2.3	0.15	7.3	0.30	● H 2.5/17.5 KS-D BU	Blue	3084.0	100
	2.5	14	12	21.5	12	2.3	0.15	7.3	0.30	● H 2.5/21.5 KS-D BU	Blue	3085.0	100
	4	12	10	19.5	10	2.9	0.2	7.3	0.30	● H 4.0/19.5 KS-D GR	Grey	3086.0	100
	6	10	12	23	12	3.6	0.2	8.1	0.30	● H 6.0/23 KS YE	Yellow	3087.0	100
	10	8	12	24	12	4.6	0.2	9.6	0.30	● H 10.0/24 KS RD	Red	3088.0	100
	16	6	12	25.5	12	6	0.2	11.9	0.30	● H 16.0/25.5 KS BU	Blue	3089.0	100

DIN Standard				T Standard			
Type	Colour	Cat. no.	Qty.	Type	Colour	Cat. no.	Qty.
○ HZL/0.5-D WH	White	2794.0	500	○ HZL/0.5-D WH	White	2794.0	500
○ HZL/0.5 HL-D WH	White	2993.0	500	○ HZL/0.5 HL-D WH	White	2993.0	500
○ HZL/0.5 L-D WH	White	2994.0	500	○ HZL/0.5 L-D WH	White	2994.0	500
● HZL/0.75-D GR	Grey	2775.0	500	● HZL/0.75-T LB	Light blue	3029.0	500
● HZL/0.75 HL-D GR	Grey	2795.0	500	● HZL/0.75 HL-T LB	Light blue	3030.0	500
● HZL/0.75 L-D GR	Grey	2995.0	500	● HZL/0.75 L-T LB	Light blue	3031.0	500
● HZL/1.0-D RD	Red	2776.0	500	● HZL/1.0-D RD	Red	2776.0	500
● HZL/1.0 HL-D RD	Red	2796.0	500	● HZL/1.0 HL-D RD	Red	2796.0	500
● HZL/1.0 L-D RD	Red	2996.0	500	● HZL/1.0 L-D RD	Red	2996.0	500
● HZL/1.5-D BK	Black	2777.0	500	● HZL/1.5-D BK	Black	2777.0	500
● HZL/1.5 HL-D BK	Black	2797.0	500	● HZL/1.5 HL-D BK	Black	2797.0	500
● HZL/1.5 L-D BK	Black	2997.0	100	● HZL/1.5 L-D BK	Black	2997.0	100
● HZL/2.5-D BU	Blue	2778.0	500	● HZL/2.5-T GR	Grey	3038.0	500
● HZL/2.5 HL-D BU	Blue	2798.0	500	● HZL/2.5 HL-T GR	Grey	3039.0	500
● HZL/2.5 L-D BU	Blue	2998.0	100	● HZL/2.5 L-T GR	Grey	3040.0	100
● HZL/4.0-D GR	Grey	2799.0	100	● HZL/4.0-T OG	Orange	3041.0	100
● HZL/4.0 L-D GR	Grey	2999.0	100	● HZL/4.0 L-T OG	Orange	3042.0	100
● HZL/6.0-D YE	Yellow	2800.0	100	● HZL/6.0-T GN	Green	3043.0	100
● HZL/6.0 L-D YE	Yellow	3000.0	100	● HZL/6.0 L-T GN	Green	3044.0	100
● HZL/10.0-D RD	Red	2801.0	100	● HZL/10.0-T BN	Brown	3045.0	100
● HZL/10.0 L-D RD	Red	3001.0	100	● HZL/10.0 L-T BN	Brown	3046.0	100
● HZL/16.0-D BU	Blue	2802.0	50	○ HZL/16.0-T WH	White	3047.0	50
● HZL/16.0 L-D BU	Blue	3002.0	50	○ HZL/16.0 L-T WH	White	3048.0	50

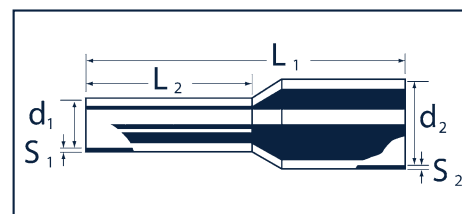
The special shape of the plastic collar makes it easy to feed in two wires in one wire-end ferrule.



Funnel feed-in made of polypropylene. Heat resistant up to 120 °C. For wires from 0.5 – 150 mm².

Material: E-Cu, galvanic tinned.

DIN Standard				T Standard			
Type	Colour	Cat. no.	Qty.	Type	Colour	Cat. no.	Qty.
○ H 0.5/8-D AWG WH	White	3090.0	500	○ H 0.5/8-D AWG WH	White	3090.0	500
● H 0.75/14-D AWG GR	Grey	3091.0	500	● H 0.75/8-T AWG LB	Light blue	3094.0	500
● H 1.0/8-D AWG RD	Red	3092.0	500	● H 1.0/8-D AWG RD	Red	3092.0	500
● H 1.5/8-D AWG BK	Black	3093.0	500	● H 1.5/8-D AWG BK	Black	3093.0	500



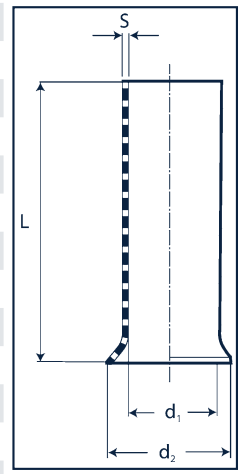
DIN Standard				T Standard			
Type	Colour	Cat. no.	Qty.	Type	Colour	Cat. no.	Qty.
● H 2.5/14-D SR BU	Blue	3081.0	500	● H 2.5/14 SR GR	Grey	3095.0	500

Uninsulated wire-end ferrules




Uninsulated wire-end ferrules

Cross-section, mm ²	AWG	Stripping length mm ²	L	Dimensions, mm			Type	Cat. no.	Qty.
				d ₁	d ₂	S			
0.25	24	5	5	0.80	1.65	0.15	H 0.25/5	3096.0	1000
0.50	20	6	6	1.00	2.10	0.15	H 0.5/6	2216.0	1000
0.50	20	10	10	1.00	2.10	0.15	H 0.5/10	3097.0	1000
0.75	18	6	6	1.20	2.30	0.15	H 0.75/6	2217.0	1000
0.75	18	10	10	1.20	2.30	0.15	H 0.75/10	2218.0	1000
1.00	17	6	6	1.40	2.50	0.15	H 1.0/6	2219.0	1000
1.00	17	10	10	1.40	2.50	0.15	H 1.0/10	2220.0	1000
1.50	16	7	7	1.70	2.80	0.15	H 1.5/7	2221.0	1000
1.50	16	10	10	1.70	2.80	0.15	H 1.5/10	2222.0	1000
1.50	16	12	12	1.70	2.80	0.15	H 1.5/12	3098.0	1000
1.50	16	18	18	1.70	2.80	0.15	H 1.5/18	3099.0	1000
2.50	14	7	7	2.20	3.40	0.15	H 2.5/7	2223.0	1000
2.50	14	10	10	2.20	3.40	0.15	H 2.5/10	3100.0	1000
2.50	14	12	12	2.20	3.40	0.15	H 2.5/12	2224.0	1000
2.50	14	18	18	2.20	3.40	0.15	H 2.5/18	3101.0	1000
4.00	12	9	9	2.80	4.00	0.20	H 4.0/9	2225.0	1000
4.00	12	12	12	2.80	4.00	0.20	H 4.0/12	2226.0	1000
4.00	12	15	15	2.80	4.00	0.20	H 4.0/15	3102.0	1000
4.00	12	18	18	2.80	4.00	0.20	H 4.0/18	3103.0	1000
6.00	10	12	12	3.50	4.70	0.20	H 6.0/12	2227.0	500
6.00	10	15	15	3.50	4.70	0.20	H 6.0/15	2388.0	500
6.00	10	18	18	3.50	4.70	0.20	H 6.0/18	3105.0	500
10.00	8	12	12	4.50	5.80	0.20	H 10.0/12	2228.0	500
10.00	8	15	15	4.50	5.80	0.20	H 10.0/15	2389.0	500
10.00	8	18	18	4.50	5.80	0.20	H 10.0/18	2229.0	500
16.00	6	12	12	5.80	7.50	0.20	H 16.0/12	2391.0	500
16.00	6	15	15	5.80	7.50	0.20	H 16.0/15	2392.0	500
16.00	6	18	18	5.80	7.50	0.20	H 16.0/18	2393.0	500
16.00	6	25	25	5.80	7.50	0.20	H 16.0/25	3106.0	500
16.00	6	32	32	5.80	7.50	0.20	H 16.0/32	3107.0	500
25.00	4	15	15	7.30	9.50	0.20	H 25.0/15	2394.0	500
25.00	4	18	18	7.30	9.50	0.20	H 25.0/18	2395.0	500
25.00	4	25	25	7.30	9.50	0.20	H 25.0/25	3108.0	500
25.00	4	32	32	7.30	9.50	0.20	H 25.0/32	3109.0	500
35.00	2	18	18	8.30	11.00	0.20	H 35.0/18	2396.0	500
35.00	2	25	25	8.30	11.00	0.20	H 35.0/25	3110.0	500
35.00	2	32	32	8.30	11.00	0.20	H 35.0/32	3111.0	500
50.00	1	18	18	10.30	13.00	0.30	H 50.0/18	3112.0	500
50.00	1	22	22	10.30	13.00	0.30	H 50.0/25	3113.0	500
50.00	1	32	32	10.30	13.00	0.30	H 50.0/32	2816.0	100
70.00	2/0	25	25	12.50	15.00	0.30	H 70.0/25	2790.0	100
70.00	2/0	32	32	12.50	15.00	0.30	H 70.0/32	3114.0	100
95.00	3/0	25	25	14.50	17.00	0.30	H 95.0/25	3115.0	50
95.00	3/0	32	32	14.50	17.00	0.30	H 95.0/32	2791.0	50
120.00	4/0	32	32	17.20	19.00	0.50	H 120.0/32	2792.0	50
150.00	250 MCM	32	32	19.50	21.00	0.50	H 150.0/32	2793.0	50

Wire-end ferrules without plastic collars, acc. to DIN 46228 sheet 1/3.73.
For wires from 0.5 – 150 mm².
Material:
E-Cu, galvanic tinned.



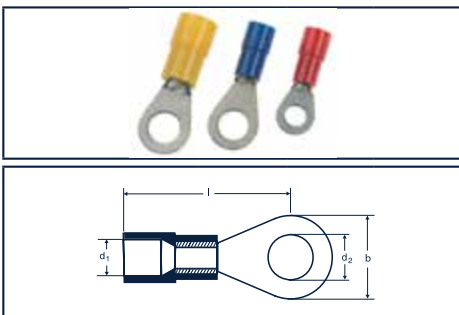
Wire-end ferrule boxes

Wire-end ferrule boxes		Empty box	Box 0.5 – 2.5 mm ²	Box 4.0 – 16 mm ²
				
			Plastic box of wire-end ferrules with plastic collars 0.5 – 2.5 mm ² CONTA-CLIP Standard	Plastic box of wire-end ferrules with plastic collars 4.0 – 16 mm ² CONTA-CLIP Standard
Type / colour		Wire-end ferrule empty box	Box 0.5 – 2.5 mm²	Box 4.0 – 16 mm²
<i>Cat. no.</i>	Qty.	2887.0	2884.0	2885.0
		1	1	1
Contents				
Type / colour			H 0.5/14 OG ●	H 4.0/18-D GR ●
Size, mm /piece			0.5	4.0
			50	50
Type / colour			H 0.75/14 WH ○	H 6.0/20 BK ●
Size, mm /piece			0.75	6.0
			100	20
Type / colour			H 1.0/14 YE ●	H 10.0/22 IV ○
Size, mm /piece			1.0	10.0
			100	20
Type / colour			H 1.5/14 RD ●	H 16.0/22 GN ●
Size, mm /piece			1.5	16.0
			100	10
Type / colour			H 2.5/14-D BU ●	
Size, mm /piece			2.5	
			50	

Insulated connectors

Crimp cable lugs with ring shape QKS

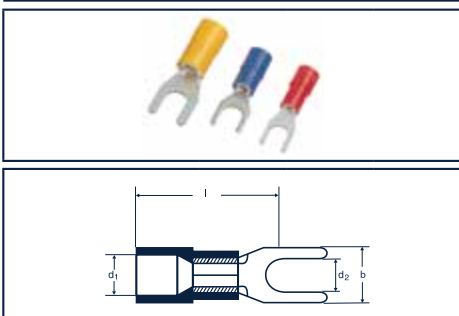
Ring shape acc. to DIN 46237
 Cu-ETP acc. to DIN EN13599, soldered, galv. Sn
 With widened, easy-entry PA insulation
 Continuous-use temperature range: -55 °C to 105 °C



Type	Cat. no.	Qty.	ID colour	Cross-section mm ²	AWG	Dimensions, mm				Size DIN
						d ₁	l	b	d ₂	
QKS 1	2534.0	100	Red	0.5 - 1	20 - 18	4.1	18.0	8.0	4.3	A 4 - 1
QKS 1	2535.0	100	Red	0.5 - 1	20 - 18	4.1	19.0	10.0	5.3	A 5 - 1
QKS 1	2536.0	100	Red	0.5 - 1	20 - 18	4.1	21.0	11.0	6.5	A 6 - 1
QKS 2.5	2537.0	100	Blue	1.5 - 2.5	16 - 14	4.5	18.0	8.0	4.3	A 4 - 2.5
QKS 2.5	2538.0	100	Blue	1.5 - 2.5	16 - 14	4.5	20.0	10.0	5.3	A 5 - 2.5
QKS 2.5	2539.0	100	Blue	1.5 - 2.5	16 - 14	4.5	22.0	11.0	6.5	A 6 - 2.5
QKS 2.5	2540.0	100	Blue	1.5 - 2.5	16 - 14	4.5	23.0	14.0	8.4	A 8 - 2.5
QKS 6	2541.0	50	Yellow	4 - 6	12 - 10	6.5	21.0	8.0	4.3	A 4 - 6
QKS 6	2542.0	50	Yellow	4 - 6	12 - 10	6.5	22.0	10.0	5.3	A 5 - 6
QKS 6	2543.0	50	Yellow	4 - 6	12 - 10	6.5	23.0	11.0	6.5	A 6 - 6
QKS 6	2544.0	50	Yellow	4 - 6	12 - 10	6.5	26.0	14.0	8.4	A 8 - 6

Crimp cable lugs with forked shape QKS-G

Fork shape acc. to DIN 46237/C
 Cu-ETP acc. to DIN EN13599, soldered, galv. Sn
 With widened, easy-entry PA insulation
 Continuous-use temperature range: -55 °C to 105 °C

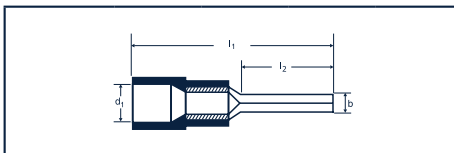


Type	Cat. no.	Qty.	ID colour	Cross-section mm ²	AWG	Dimensions, mm				Size DIN
						d ₁	l	b	d ₂	
QKS G 0.5/3.5	32007.0	100	Yellow	0.1 - 0.5	27 - 20	3.2	16	6	3.7	C 3 - 0.5
QKS G 1	3064.0	100	Red	0.5 - 1	20 - 18	4.1	18.0	8.0	4.3	C 4 - 1
QKS G 1	3065.0	100	Red	0.5 - 1	20 - 18	4.1	19.0	10.0	5.3	C 5 - 1
QKS G 1	3066.0	100	Red	0.5 - 1	20 - 18	4.1	21.0	11.0	6.5	C 6 - 1
QKS G 1/6.4	32006.0	100	Red	0.5 - 1	20 - 18	4.1	17.5	6.4	4.3	C 4 - 1
QKS G 2.5	3067.0	100	Blue	1.5 - 2.5	16 - 14	4.5	18.0	8.0	5.3	C 4 - 2.5
QKS G 2.5	3068.0	100	Blue	1.5 - 2.5	16 - 14	4.5	20.0	10.0	6.5	C 5 - 2.5
QKS G 2.5	3069.0	100	Blue	1.5 - 2.5	16 - 14	4.5	22.0	11.0	4.3	C 6 - 2.5
QKS G 6	3070.0	100	Yellow	4 - 6	12 - 10	6.5	21.0	8.0	5.3	C 4 - 6
QKS G 6	3071.0	50	Yellow	4 - 6	12 - 10	6.5	22.0	10.0	6.5	C 5 - 6
QKS G 6	3072.0	50	Yellow	4 - 6	12 - 10	6.5	23.0	11.0	6.5	C 6 - 6
QKS G 6	3073.0	50	Yellow	4 - 6	12 - 10	6.5	26.0	14.0	8.4	C 8 - 6

Crimp cable lugs with pin shape

SKS

Pin shape acc. to DIN 46231 and similar
 Cu-ETP acc. to DIN EN13599, soldered, galv. Sn
 With widened, easy-entry PA insulation
 Continuous-use temperature range: -55 °C to 105 °C

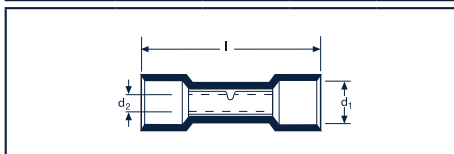


Type	Cat. no.	Qty.	ID colour	Cross-section mm ²	AWG	Dimensions, mm			Size DIN	
						mm ²	l ₁	b		l ₂
SKS 1	2545.0	100	Red	0.5 - 1	20 - 18	4.1	23.5	1.9	10.5	1
SKS 2.5	2546.0	100	Blue	1.5 - 2.5	16 - 14	4.5	24.0	1.9	10.5	2.5
SKS 6	2547.0	100	Yellow	4 - 6	12 - 10	6.5	25.5	2.7	10.5	6

Joint connector

STV

Cu-ETP acc. to DIN EN13600, galv. Sn
 With widened, easy-entry PVC insulation
 Continuous-use temperature range: -10 °C to 75 °C

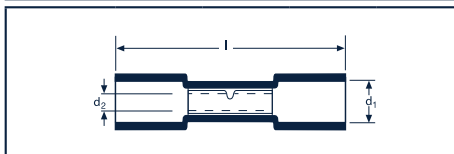


Type	Cat. no.	Qty.	ID colour	Cross-section mm ²	AWG	Dimensions, mm			Size DIN
						d ₁	l	d ₂	
STV 1	3074.0	100	Red	0.5 - 1.5	20 - 16	4.1	26.0	2.3	1
STV 2.5	3075.0	100	Blue	1.5 - 2.5	16 - 14	4.5	26.0	3.6	2.5
STV 6	3076.0	100	Yellow	4 - 6	12 - 10	6.5	27.0	4.5	6

Joint connector, heat shrink tube insulation

STV

Solid wires / Housing installations
 Cu-ETP insulated acc. to DIN EN13600, galv. Sn
 Two-layer insulation with thermo-plastic inner adhesive.
 After shrinking, a waterproof connection is created
 Shrink temperature: +100 °C,
 Dielectric strength: 30 kV/mm

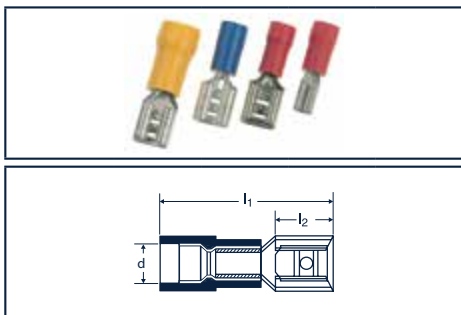


Type	Cat. no.	Qty.	ID colour	Cross-section mm ²	AWG	Dimensions, mm		Size DIN
						mm ²	L	
STV 0.5/HS	30800.0	100	White	0.1 - 0.5	36 - 20	4.3	35.0	1.2
STV 1/HS	30801.0	100	Red	0.5 - 1.5	20 - 16	4.3	35.0	1.6
STV 2.5/HS	30802.0	100	Blue	1.5 - 2.5	16 - 14	5.0	35.0	2.3
STV 6/HS	30803.0	100	Yellow	4 - 6	12 - 10	6.5	40.0	3.6

Insulated connectors

Crimp cable lugs, spade shape FSH

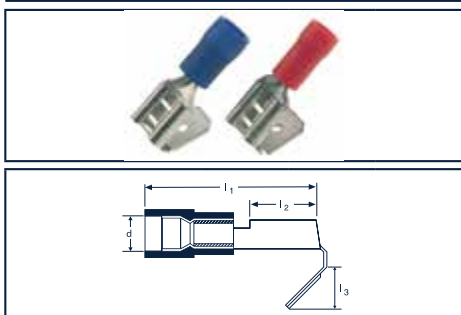
According to DIN 46245 parts 1-3 and similar
 Brass (CuZn), metallic insulation holder Cu-ETP, galv. Sn
 With widened, easy-entry PVC insulation
 Continuous-use temperature range: -10 °C to 75 °C



Type	Cat. no.	Qty.	ID colour	Cross-section mm ²	AWG	Dimensions, mm			Size DIN	Plug thickness mm	Plug width mm
						d	l ₁	l ₂			
FSH 1/2.8	2548.0	100	Red	0.5 - 1.5	20 - 16	3.5	18.8	6.4		0.5	2.8
FSH 1/2.8	2549.0	100	Red	0.5 - 1.5	20 - 16	3.5	18.8	6.4		0.8	2.8
FSH 1/6.3	2550.0	100	Red	0.5 - 1.5	20 - 16	3.5	21.0	7.8	6.3 - 1	0.8	6.3
FSH 2.5/4.8	30986.0	100	Blue	1.5 - 2.5	16 - 14	4.3	19.5	6.4		0.8	4.8
FSH 2.5/6.3	2551.0	100	Blue	1.5 - 2.5	16 - 14	4.3	21.0	7.8	6.3 - 2.5	0.8	6.3
FSH 6/6.3	2552.0	50	Yellow	4 - 6	12 - 10	6.2	23.8	7.8	6.3 - 6	0.8	6.3

Crimp cable lugs, spade shape FSH A

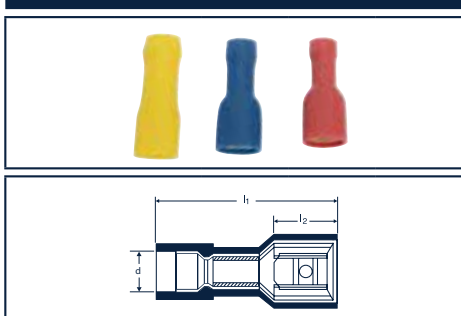
According to DIN 46245 parts 1-3 and similar
 Brass (CuZn), metallic insulation holder Cu-ETP, galv. Sn
 With widened, easy-entry PVC insulation
 Continuous-use temperature range: -10 °C to 75 °C



Type	Cat. no.	Qty.	ID colour	Cross-section mm ²	AWG	Dimensions, mm				Plug thickness mm	Plug width mm
						d	L ₁	L ₂	L ₃		
FSH A 1	2555.0	100	Red	0.5 - 1.5	20 - 16	3.5	21.2	7.8	7.8	0.8	6.3
FSH A 2.5	2556.0	100	Blue	1.5 - 2.5	16 - 14	4.3	21.2	7.8	7.8	0.8	6.3
FSH A 6	30988.0	100	Yellow	4 - 6	12 - 10	6.2	25.4	8.0	8.0	0.8	6.3

Crimp spade shape / insulated FSH

Brass (CuZn), metallic insulation holder Cu-ETP, galv. Sn
 With widened, easy-entry PVC insulation
 Continuous-use temperature range: -10 °C to 75 °C

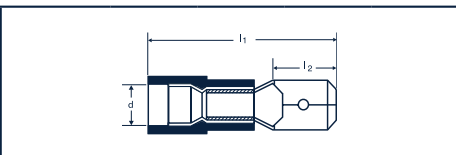


Type	Cat. no.	Qty.	ID colour	Cross-section mm ²	AWG	Dimensions, mm			Plug thickness mm	Plug width mm
						d	L ₁	L ₂		
FSH 1	2553.0	100	Red	0.5 - 1.5	20 - 16	2.7	21.5	6.8	0.8	6.3
FSH 2.5	2554.0	100	Blue	1.5 - 2.5	16 - 14	3.2	21.8	6.8	0.8	6.3
FSH 4-6	30987.0	50	Yellow	4 - 6	12 - 10	5.8	25.0	6.8	0.8	6.3

Crimp cable lug, spade shape

FST

Brass (CuZn), metallic insulation holder Cu-ETP, galv. Sn
 With widened, easy-entry PVC insulation
 Continuous-use temperature range: -10 °C to 75 °C

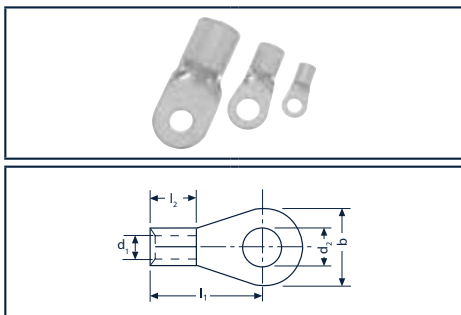


Type	Cat. no.	Qty.	ID colour	Cross-section mm ²	AWG	Dimensions, mm		Plug thickness mm	Plug width mm	
						mm ²	L ₁			L ₂
FST 1/2.8	30989.0	100	Red ●	0.5 - 1.5	20 - 16	3.5	22.2	7.3	0.5	2.8
FST 1/2.8	2557.0	100	Red ●	0.5 - 1.5	20 - 16	3.5	22.2	7.3	0.8	2.8
FST 1/6.3	2558.0	100	Red ●	0.5 - 1.5	20 - 16	3.5	21.5	8.0	0.8	6.3
FST 2.5/6.3	2559.0	100	Blue ●	1.5 - 2.5	16 - 14	4.3	21.3	8.0	0.8	6.3
FST 6/6.3	2560.0	50	Yellow ●	4 - 6	12 - 10	6.2	24.0	8.0	0.8	6.3

Uninsulated connectors

Uninsulated ring-shaped crimp cable lugs **QKS**

Ring shaped, DIN 46234 and similar
Cu-ETP acc. to DIN EN13599, soldered, galv. Sn
Heat resistant to +125 °C

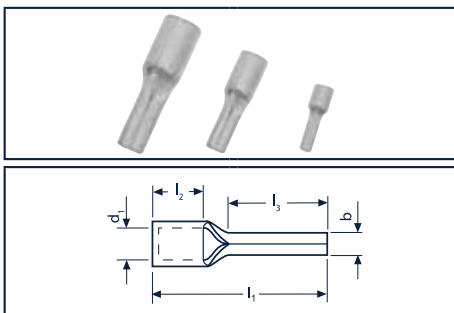


Type	Cat. no.	Qty.	Cross-section, mm ²	AWG	Dimensions, mm				
					d ₁	l ₁	b	l ₂	d ₂
QKS 1/U/M2.5	30804.0	1000	0.5-1	20 - 18	1.6	10.8	6.0	4.8	2.7
QKS 1/U/M3	30805.0	1000	0.5-1	20 - 18	1.6	10.8	6.0	4.8	3.2
QKS 1/U/M3.5	30806.0	1000	0.5-1	20 - 18	1.6	10.8	6.0	4.8	3.7
QKS 1/U/M4	30807.0	1000	0.5-1	20 - 18	1.6	11.8	8.0	4.8	4.3
QKS 1/U/M5	30808.0	1000	0.5-1	20 - 18	1.6	12.8	10.0	4.8	5.3
QKS 1/U/M6	30809.0	1000	0.5-1	20 - 18	1.6	14.8	11.0	4.8	6.5
QKS 1/U/M8	30810.0	1000	0.5-1	20 - 18	1.6	17.0	14.0	4.8	8.4
QKS 2.5/U/M3	30811.0	1000	1.5-2.5	16 - 14	2.3	10.8	6.0	4.8	3.2
QKS 2.5/U/M3.5	30812.0	1000	1.5-2.5	16 - 14	2.3	10.8	6.0	4.8	3.7
QKS 2.5/U/M4	30813.0	1000	1.5-2.5	16 - 14	2.3	11.8	8.0	4.8	4.3
QKS 2.5/U/M5	30814.0	1000	1.5-2.5	16 - 14	2.3	13.8	10.0	4.8	5.3
QKS 2.5/U/M6	30815.0	1000	1.5-2.5	16 - 14	2.3	15.8	11.0	4.8	6.5
QKS 2.5/U/M8	30816.0	1000	1.5-2.5	16 - 14	2.3	16.8	14.0	4.8	8.4
QKS 2.5/U/M10	30817.0	1000	1.5-2.5	16 - 14	2.3	17.0	15.0	4.8	10.5
QKS 6/U/M4	30818.0	500	2.5-6	14 - 10	3.6	14.0	8.0	6.0	4.3
QKS 6/U/M5	30819.0	500	2.5-6	14 - 10	3.6	15.0	10.0	6.0	5.3
QKS 6/U/M6	30820.0	500	2.5-6	14 - 10	3.6	16.0	11.0	6.0	6.5
QKS 6/U/M8	30821.0	500	2.5-6	14 - 10	3.6	19.0	14.0	6.0	8.4
QKS 6/U/M10	30822.0	500	2.5-6	14 - 10	3.6	21.0	18.0	6.0	10.5
QKS 6/U/M12	30823.0	500	2.5-6	14 - 10	3.6	21.0	18.0	6.0	13.0
QKS 10/U/M5	30824.0	50	10	8	4.5	16.0	10.0	8.0	5.3
QKS 10/U/M6	30825.0	50	10	8	4.5	17.0	11.0	8.0	6.5
QKS 10/U/M8	30826.0	50	10	8	4.5	20.0	14.0	8.0	8.4
QKS 10/U/M10	30827.0	50	10	8	4.5	21.0	18.0	8.0	10.5
QKS 10/U/M12	30828.0	50	10	8	4.5	23.0	22.0	8.0	13.0
QKS 16/U/M5	30829.0	50	16	6	5.8	20.0	11.0	10.0	5.3
QKS 16/U/M6	30830.0	50	16	6	5.8	20.0	11.0	10.0	6.5
QKS 16/U/M8	30831.0	50	16	6	5.8	22.0	14.0	10.0	8.4
QKS 16/U/M10	30832.0	50	16	6	5.8	24.0	18.0	10.0	10.5
QKS 16/U/M12	30833.0	50	16	6	5.8	26.0	22.0	10.0	13.0
QKS 25/U/M5	30834.0	50	25	4	7.5	25.0	12.0	11.0	5.3
QKS 25/U/M6	30835.0	50	25	4	7.5	25.0	12.0	11.0	6.5
QKS 25/U/M8	30836.0	50	25	4	7.5	25.0	16.0	11.0	8.4
QKS 25/U/M10	30837.0	50	25	4	7.5	26.0	18.0	11.0	10.5
QKS 25/U/M12	30838.0	50	25	4	7.5	31.0	22.0	11.0	13.0
QKS 25/U/M14	30839.0	50	25	4	7.5	31.0	22.0	11.0	15.0
QKS 25/U/M16	30840.0	50	25	4	7.5	35.0	28.0	11.0	17.0
QKS 35/U/M6	30841.0	50	35	2	9.0	26.0	15.0	12.0	6.5
QKS 35/U/M8	30842.0	50	35	2	9.0	26.0	16.0	12.0	8.4
QKS 35/U/M10	30843.0	50	35	2	9.0	27.0	18.0	12.0	10.5
QKS 35/U/M12	30844.0	50	35	2	9.0	31.0	22.0	12.0	13.0
QKS 35/U/M14	30845.0	50	35	2	9.0	31.0	22.0	12.0	15.0
QKS 35/U/M16	30846.0	50	35	2	9.0	35.0	28.0	12.0	17.0
QKS 50/U/M6	30847.0	50	50	1/0	11.0	34.0	18.0	16.0	6.5
QKS 50/U/M8	30848.0	50	50	1/0	11.0	34.0	18.0	16.0	8.4
QKS 50/U/M10	30849.0	50	50	1/0	11.0	34.0	18.0	16.0	10.5
QKS 50/U/M12	30850.0	50	50	1/0	11.0	36.0	22.0	16.0	13.0
QKS 50/U/M14	30851.0	50	50	1/0	11.0	36.0	22.0	16.0	15.0
QKS 50/U/M16	30852.0	50	50	1/0	11.0	40.0	22.0	16.0	17.0
QKS 70/U/M6	30853.0	25	70	2/0	13.0	38.0	22.0	18.0	6.5
QKS 70/U/M8	30854.0	25	70	2/0	13.0	38.0	22.0	18.0	8.4
QKS 70/U/M10	30855.0	25	70	2/0	13.0	38.0	22.0	18.0	10.5
QKS 70/U/M12	30856.0	25	70	2/0	13.0	38.0	22.0	18.0	13.0
QKS 70/U/M14	30857.0	25	70	2/0	13.0	38.0	22.0	18.0	15.0
QKS 70/U/M16	30858.0	25	70	2/0	13.0	42.0	28.0	18.0	17.0
QKS 95/U/M8	30859.0	25	95	3/0	15.0	42.0	24.0	20.0	8.4
QKS 95/U/M10	30860.0	25	95	3/0	15.0	42.0	24.0	20.0	10.5
QKS 95/U/M12	30861.0	25	95	3/0	15.0	42.0	24.0	20.0	13.0
QKS 95/U/M14	30862.0	25	95	3/0	15.0	42.0	24.0	20.0	15.0
QKS 95/U/M16	30863.0	25	95	3/0	15.0	44.0	28.0	20.0	17.0
QKS 120/U/M8	30864.0	25	120	250	16.5	44.0	24.0	22.0	8.4
QKS 120/U/M10	30865.0	25	120	250	16.5	44.0	24.0	22.0	10.5
QKS 120/U/M12	30866.0	25	120	250	16.5	44.0	24.0	22.0	13.0
QKS 120/U/M14	308667.0	25	120	250	16.5	44.0	24.0	22.0	15.0
QKS 120/U/M16	30868.0	25	120	250	16.5	48.0	28.0	22.0	17.0
QKS 150/U/M10	30869.0	10	150	300	19.0	50.0	30.0	24.0	10.5
QKS 150/U/M12	30870.0	10	150	300	19.0	50.0	30.0	24.0	13.0

Type	Cat. no.	Qty.	Cross-section, mm ²	AWG	Dimensions, mm				
					d ₁	l ₁	b	l ₂	d ₂
QKS 150/U/M14	30871.0	10	150	300	19.0	50.0	30.0	24.0	15.0
QKS 150/U/M16	30872.0	10	150	300	19.0	50.0	30.0	24.0	17.0
QKS 185/U/M10	30873.0	10	185	350	21.0	50.0	36.0	28.0	10.5
QKS 185/U/M12	30874.0	10	185	350	21.0	50.0	36.0	28.0	13.0
QKS 185/U/M14	30875.0	10	185	350	21.0	50.0	36.0	28.0	15.0
QKS 185/U/M16	30876.0	10	185	350	21.0	50.0	36.0	28.0	17.0
QKS 240/U/M10	30877.0	10	240	500	23.5	56.0	38.0	32.0	10.5
QKS 240/U/M12	30878.0	10	240	500	23.5	56.0	38.0	32.0	13.0
QKS 240/U/M14	30879.0	10	240	500	23.5	56.0	38.0	32.0	15.0
QKS 240/U/M16	30880.0	10	240	500	23.5	56.0	38.0	32.0	17.0

Uninsulated pin-shaped crimp cable lugs

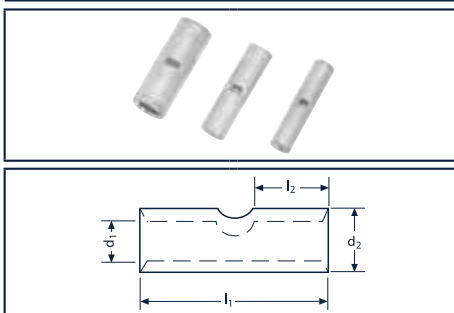
Pin shaped acc. to DIN 46230 and similar
Cu-ETP acc. to DIN EN13599, soldered, galv. Sn
Heat resistant to +125 °C



Type	Cat. no.	Qty.	Cross-section, mm ²	AWG	Dimensions, mm				
					d ₁	l ₁	b	l ₂	l ₃
SKS 1/U	30881.0	100	0.5-1	20 - 18	1.6	18.3	1.9	5.0	10.0
SKS 2.5/U	30882.0	100	1.5-2.5	16 - 14	2.3	18.3	1.9	5.0	10.0
SKS 6/U	30883.0	50	4-6	12 - 10	3.6	19.5	2.7	6.0	11.0
SKS 10/U	30884.0	50	10	8	4.5	25.0	4.3	8.0	11.0
SKS 16/U	30885.0	50	16	6	5.8	26.0	5.5	10.0	15.0
SKS 25/U	30886.0	50	25	4	7.0	34.0	7.0	14.0	15.0
SKS 35/U	30887.0	50	35	2	8.2	40.0	8.0	16.0	20.0
SKS 50/U	30888.0	50	50	1/0	9.5	45.0	9.5	19.0	20.0
SKS 70/U	30889.0	50	70	2/0	11.2	55.0	11.0	24.0	23.0
SKS 95/U	30890.0	50	95	3/0	13.5	55.0	12.5	24.0	23.0

Uninsulated joint connectors

Conventional
Cu-ETP acc. to EN 13600, galv. Sn
Heat resistant to +125 °C

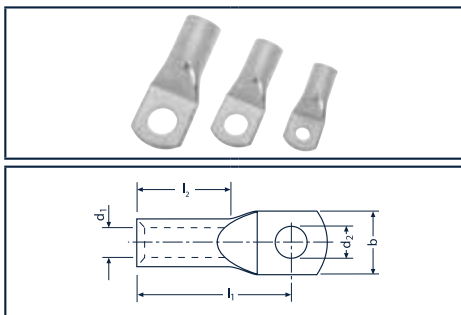


Type	Cat. no.	Qty.	Cross-section, mm ²	AWG	Dimensions, mm			
					d ₁	l ₁	l ₂	d ₂
STV 1/U	30891.0	100	0.5-1	20 - 18	1.6	14.5	6.5	3.2
STV 1/U/L	30892.0	100	0.5-1	20 - 18	1.6	25	12	3.2
STV 2.5/U	30893.0	100	1-2.5	18 - 14	2.3	14.5	6.5	3.9
STV 2.5/U/L	30894.0	100	1-2.5	18 - 14	2.3	25	12	3.9
STV 4/U	30895.0	100	4-6	12 - 10	3.6	14.5	7	5.6
STV 4/U/L	30896.0	100	4-6	12 - 10	3.6	25	12	5.6
STV 6/U	30897.0	100	6	10	3.6	25	11.5	6.5
STV 10/U	30898.0	100	10	8	4.5	30	12.5	7
STV 16/U	30899.0	100	16	6	5.5	30	14	8.5
STV 25/U	30900.0	100	25	4	7	38.5	16	10
STV 35/U	30901.0	100	35	2	8.5	42.5	18	12
STV 50/U	30902.0	100	50	1/0	10	48	22	14
STV 70/U	30903.0	100	70	2/0	12	52.5	24	16.5
STV 95/U	30904.0	50	95	3/0	13.5	58.5	26	18
STV 120/U	30905.0	50	120	250	15	62.5	28	19.5
STV 150/U	30906.0	50	150	300	16.5	68.5	30	21
STV 185/U	30907.0	25	185	350	19.4	72.5	33	24
STV 240/U	30908.0	25	240	500	21.2	88	36	26
STV 300/U	30909.0	10	300	600	23.4	100	44	29.5

Uninsulated connectors

Uninsulated tube cable lugs RKS

Conventional version
Cu-ETP acc. to DIN EN13600, galv. Sn
Heat resistant to +125°C



Type	Cat. no.	Qty.	Cross-section, mm ²	AWG	Dimensions, mm				
					d ₁	l ₁	b	l ₂	d ₂
RKS 6/U/M4	30910.0	100	6	10	3.5	19.0	10.0	9.5	4.3
RKS 6/U/M5	30911.0	100	6	10	3.5	21.0	10.0	9.5	5.3
RKS 6/U/M6	30912.0	100	6	10	3.5	21.0	12.0	9.5	6.4
RKS 6/U/M8	30913.0	100	6	10	3.5	23.0	15.0	9.5	8.4
RKS 6/U/M10	30914.0	100	6	10	3.5	25.0	17.0	9.5	10.5
RKS 6/U/M12	30915.0	100	6	10	3.5	28.0	19.0	9.5	13.2
RKS 10/U/M4	30916.0	100	10	8	4.5	21.5	12.0	10.5	4.3
RKS 10/U/M5	30917.0	100	10	8	4.5	22.5	12.0	10.5	5.3
RKS 10/U/M6	30918.0	100	10	8	4.5	22.5	12.0	10.5	6.4
RKS 10/U/M8	30919.0	100	10	8	4.5	25.0	15.0	10.5	8.4
RKS 10/U/M10	30920.0	100	10	8	4.5	27.0	17.0	10.5	10.5
RKS 10/U/M12	30921.0	100	10	8	4.5	28.5	19.0	10.5	13.2
RKS 16/U/M5	30922.0	100	16	6	5.5	26.0	12.0	13.0	5.3
RKS 16/U/M6	30923.0	100	16	6	5.5	27.0	12.0	13.0	6.4
RKS 16/U/M8	30924.0	100	16	6	5.5	29.0	15.0	13.0	8.4
RKS 16/U/M10	30925.0	100	16	6	5.5	31.0	17.0	13.0	10.5
RKS 16/U/M12	30926.0	100	16	6	5.5	32.5	19.0	13.0	13.2
RKS 25/U/M5	30927.0	100	25	4	7.0	30.0	14.0	15.0	5.3
RKS 25/U/M6	30928.0	100	25	4	7.0	30.0	14.0	15.0	6.4
RKS 25/U/M8	30929.0	100	25	4	7.0	32.5	16.0	15.0	8.4
RKS 25/U/M10	30930.0	100	25	4	7.0	34.5	18.0	15.0	10.5
RKS 25/U/M12	30931.0	100	25	4	7.0	35.5	19.0	15.0	13.2
RKS 25/U/M14	30932.0	100	25	4	7.0	36.5	21.0	15.0	15.0
RKS 35/U/M6	30933.0	100	35	2	8.5	32.5	17.0	17.0	6.4
RKS 35/U/M8	30934.0	100	35	2	8.5	35.0	17.0	17.0	8.4
RKS 35/U/M10	30935.0	100	35	2	8.5	37.0	19.0	17.0	10.5
RKS 35/U/M12	30936.0	100	35	2	8.5	38.0	21.0	17.0	13.2
RKS 35/U/M14	30937.0	100	35	2	8.5	39.5	21.0	17.0	15.0
RKS 35/U/M16	30938.0	100	35	2	8.5	41.0	26.0	17.0	17.0
RKS 50/U/M6	30939.0	100	50	1/0	10.0	37.0	20.0	19.0	6.4
RKS 50/U/M8	30940.0	100	50	1/0	10.0	37.0	20.0	19.0	8.4
RKS 50/U/M10	30941.0	100	50	1/0	10.0	39.0	20.0	19.0	10.5
RKS 50/U/M12	30942.0	100	50	1/0	10.0	40.0	23.0	19.0	13.2
RKS 50/U/M14	30943.0	100	50	1/0	10.0	41.5	23.0	19.0	15.0
RKS 50/U/M16	30944.0	100	50	1/0	10.0	43.0	28.0	19.0	17.0
RKS 50/U/M20	30945.0	100	50	1/0	10.0	46.0	30.0	19.0	21.0
RKS 70/U/M6	30946.0	100	70	2/0	12.0	43.0	24.0	21.0	6.4
RKS 70/U/M8	30947.0	100	70	2/0	12.0	43.0	24.0	21.0	8.4
RKS 70/U/M10	30948.0	100	70	2/0	12.0	45.0	24.0	21.0	10.5
RKS 70/U/M12	30949.0	100	70	2/0	12.0	46.0	24.0	21.0	13.2
RKS 70/U/M14	30950.0	100	70	2/0	12.0	47.5	24.0	21.0	15.0
RKS 70/U/M16	30951.0	100	70	2/0	12.0	49.0	28.0	21.0	17.0
RKS 70/U/M20	30952.0	100	70	2/0	12.0	52.0	30.0	21.0	21.0
RKS 95/U/M8	30953.0	50	95	3/0	13.5	48.0	26.0	25.0	8.4
RKS 95/U/M10	30954.0	50	95	3/0	13.5	48	26	25	10.5
RKS 95/U/M12	30955.0	50	95	3/0	13.5	49	26	25	13.2
RKS 95/U/M14	30956.0	50	95	3/0	13.5	50.5	26	25	15
RKS 95/U/M16	30957.0	50	95	3/0	13.5	52	28	25	17
RKS 95/U/M20	30958.0	50	95	3/0	13.5	58	36	25	21
RKS 120/U/M8	30959.0	50	120	250	15	51	28	26	8.4
RKS 120/U/M10	30960.0	50	120	250	15	51	28	26	10.5
RKS 120/U/M12	30961.0	50	120	250	15	51	28	26	13.2
RKS 120/U/M14	30962.0	50	120	250	15	52	28	26	15
RKS 120/U/M16	30963.0	50	120	250	15	53	30	26	17
RKS 120/U/M20	30964.0	50	120	250	15	59	36	26	21
RKS 150/U/M8	30965.0	50	150	300	16.5	58	31	30	8.4
RKS 150/U/M10	30966.0	50	150	300	16.5	58	31	30	10.5
RKS 150/U/M12	30967.0	50	150	300	16.5	58	31	30	13.2
RKS 150/U/M14	30968.0	50	150	300	16.5	58	31	30	15
RKS 150/U/M16	30969.0	50	150	300	16.5	58	31	30	17
RKS 150/U/M20	30970.0	50	150	300	16.5	64	36	30	21
RKS 185/U/M10	30971.0	50	185	350	19.4	65.0	36.2	30.0	10.5
RKS 185/U/M12	30972.0	50	185	350	19.4	65.0	36.2	30.0	13.2
RKS 185/U/M14	30973.0	50	185	350	19.4	65.0	36.2	30.0	15.0
RKS 185/U/M16	30974.0	50	185	350	19.4	65.0	36.2	30.0	17.0
RKS 185/U/M20	30975.0	50	185	350	19.4	69.0	39.0	30.0	21.0

Type	Cat. no.	Qty.	Cross-section, mm ²	AWG	Dimensions, mm				
					d ₁	l ₁	b	l ₂	d ₂
RKS 240/U/M10	30976.0	50	240	500	21.2	72.0	39.0	35.0	10.5
RKS 240/U/M12	30977.0	50	240	500	21.2	72.0	39.0	35.0	13.2
RKS 240/U/M14	30978.0	50	240	500	21.2	72.0	39.0	35.0	15.0
RKS 240/U/M16	30979.0	50	240	500	21.2	72.0	39.0	35.0	17.0
RKS 240/U/M20	30980.0	50	240	500	21.2	72.0	39.0	35.0	21.0
RKS 300/U/M10	30981.0	25	300	600	23.4	87.0	43.0	44.0	10.5
RKS 300/U/M12	30982.0	25	300	600	23.4	87.0	43.0	44.0	13.2
RKS 300/U/M14	30983.0	25	300	600	23.4	87.0	43.0	44.0	15.0
RKS 300/U/M16	30984.0	25	300	600	23.4	87.0	43.0	44.0	17.0
RKS 300/U/M20	30985.0	25	300	600	23.4	87.0	43.0	44.0	21.0

CONTA-TOOL tool systems

CONTA-CLIP offers a variety of tools which help you to efficiently process wires and cables.

Our product line includes what you need for a successful and safe installation: stripping tools for shortening and stripping individual wires/strands, screw tools for safely connecting wires and cables to our terminal blocks, crimping tools for processing wire-end ferrules, as well as cable lugs and (BNC/TNC) plug-in connectors.

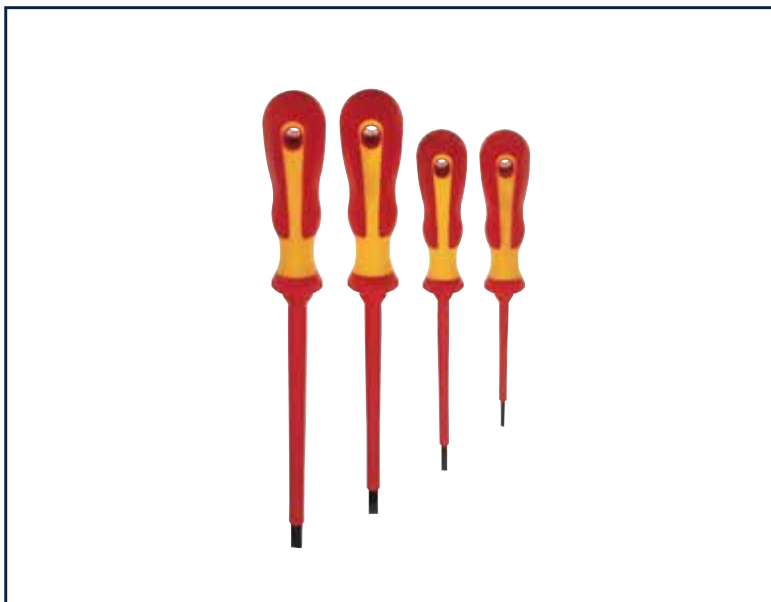
Stripping tools

STRIPFIX stripping tools are customized precisely to the cross-section, insulation material and diameter of the wire or cable. They provide a safe, faultless and comfortable stripping action for wires ranging from 0.08 mm² to 16 mm². These tools are auto-adjusting and come with an integrated diagonal cutter.



Screwdrivers

A wide variety of screwdrivers is available that has been customized to the CONTA-CONNECT range of products. They ensure that wires and cables are safely connected to CONTA-CLIP terminal blocks. These tools are available in insulated or uninsulated versions. They have high-quality blades that offer a long life cycle.



Crimping tools

You need special crimping tools tuned to your particular requirements when attaching wire-end ferrules, cable lugs and plugs (BNC/TNC). The crimped connection between the crimp contact and the wire must be secure, homogeneous and captive. CONTA-CLIP crimping tools all feature an automatic locking mechanism that ensures consistent processing.



Self-adjusting cutting and stripping tools

Stripfix | Stripfix-V | Stripfix-16

The Stripfix tools are self-adjusting cutting and stripping tools for use on standard types of cable and conductors. (90% of the stripping can be done without manually adjusting the tool.) By inserting easily swappable stripping cassettes, you can precisely strip many different insulation materials (e.g. PVC, PTFE).

Versatility

Due to the easy-to-swap stripping cassettes, almost all standard types of cable and conductors can be stripped. This enables these tools to provide the greatest capacity for stripping.



Stripping cassettes are easy to swap out

Precision

The ability to make precise adjustments ensures that thin insulation can be removed from wires without damage. After stripping, the stripping blade opens and remains open when the tool is removed to make it easy to discard the stripped coating.



V-shaped blades for stripping problematic insulation

Ergonomic design

Comfortable and friendly for the user – good ergonomics are ensured by the practical design, the soft main grip, the play-free activating grip, the optimized gripping width, the angled head and the light weight.



Ergonomic construction with non-slip grips on both sides

Cost-efficient

Spare stripping cassettes and replacement blades are available.

Reliable

Tested over the course of more than 150000 stripping processes. Encapsulated in extra strong, modern plastic (twice as strong compared to the nylon/PA6 standard).



Cuts up to 10 mm²/8 AWG

Stripping tools

Stripping tools		Stripfix	Stripfix-V	Stripfix-16	HB-Stripfix
					
		Stripping tool 10 mm ²	Stripping tool 6 mm ²	Stripping tool 16 mm ²	Retaining jaws
Description		Stripping range for CU and AL cables: PVC insulated conductors from 0.02 – 10 mm ² (AWG 34 – 8) Cutting range: up to 10 mm ² for finely stranded conductors (AWG 8)	Stripping range for CU and AL cables: PVC insulated conductors from 0.02 – 6 mm ² (AWG 34 – 10) Cutting range: up to 10 mm ² for finely stranded conductors (AWG 8)	Stripping range for CU and AL cables: PVC insulated conductors from 6 – 16 mm ² (AWG 10 – 6) Cutting range: up to 10 mm ² for finely stranded conductors (AWG 8)	Holding jaws for stripping tool, Material: plastic
Weight, g		136	136	136	61
Length, mm		191	191	191	
Type / colour		Stripfix	Stripfix-V	Stripfix-16	HB-Stripfix
<i>Cat. no.</i>	<i>Qty.</i>	1074.0 1	3166.0 1	3167.0 1	3168.0 1
Ratings					
Maximum stripping ranges for copper cable					
Solid wire (max. cross-section), mm ² / AWG		0.02-10 / 34-8	0.02-6 / 34-10	6-16 / 10-6	
Stranded wire (max. cross-section), mm ² / AWG		0.02-10 / 34-8	0.02-6 / 34-10	6-16 / 10-6	
Finely stranded wire (max. cross-section), mm ² / AWG		0.02-10 / 34-8	0.02-6 / 34-10	6-10 / 10-6	
Maximum cutting capacity for copper cable					
Solid wire (max. cross-section), mm ² / AWG		1.5 / 16	1.5 / 16	1.5 / 16	
Stranded wire (max. cross-section), mm ² / AWG					
Finely stranded wire (max. cross-section), mm ² / AWG		10 / 8	10 / 8	10 / 8	
Accessories					
Replacement blade		EKGK	EKVK	EKVK/16	
<i>Cat. no.</i>	<i>Qty.</i>	1076.0 1	1077.0 1	1408.0 1	
					

Screwdrivers

Screwdrivers		SDI	SDB	SDIK	SDK
					
		Screwdriver with insulated bit	Screwdriver	Screwdriver with insulated bit	Screwdriver
Type / colour		SDI 0.4 x 2.5	SDB 0.4 x 2.0	SDIK 1.0 x 80	SDK 1.0 x 80
<i>Cat. no.</i>	Qty.	1081.0	3164.0	2278.0	2289.0
		1	1	1	1
Features					
Total length / Blade length, mm		160/75	150/75	165/80	170/80
Weight, g		29	26	58	58
Type / colour		SDI 0.6 x 3.5	SDB 0.4 x 2.5	SDIK 2.0 x 100	SDK 2.0 x 100
<i>Cat. no.</i>	Qty.	1082.0	3169.0	2279.0	2290.0
		1	1	1	1
Features					
Total length / Blade length, mm		185/100	150/75	205/100	205/100
Weight, g		42	26	79	93
Type / colour		SDI 1.0 x 5.5	SDB 0.5 x 3.0		
<i>Cat. no.</i>	Qty.	1083.0	1085.0		
		1	1		
Features					
Total length / Blade length, mm		230/125	160/75		
Weight, g		79	30		
Type / colour		SDI 1.2 x 6.5	SDB 0.6 x 3.5		
<i>Cat. no.</i>	Qty.	1084.0	1086.0		
		1	1		
Features					
Total length / Blade length, mm		250/150	185/100		
Weight, g		100	34		
Type / colour			SDB 0.8 x 4.0		
<i>Cat. no.</i>	Qty.		1087.0		
			1		
Features					
Total length / Blade length, mm			220/125		
Weight, g			52		
Type / colour			SDB 1.2 x 6.5		
<i>Cat. no.</i>	Qty.		1088.0		
			1		
Features					
Total length / Blade length, mm			250/150		
Weight, g			104		
Description					
		Screwdriver with insulated bit shaft (acc. to IEC 60900:2004)	With bare bit	Screwdriver with insulated bit shaft (acc. to IEC 60900:2004)	With bare bit

Screwdrivers

ISKS







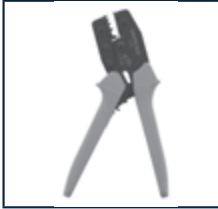
Allen key socket wrench

Type / colour	ISKS 5	
<i>Cat. no.</i>	<i>Qty.</i>	<i>2818.0 1</i>
Features		
Total length / Blade length, mm	130/100	
Weight, g	57	
Type / colour	ISKS 6	
<i>Cat. no.</i>	<i>Qty.</i>	<i>2772.0 1</i>
Features		
Total length / Blade length, mm	130/100	
Weight, g	66	
Type / colour	ISKS 8	
<i>Cat. no.</i>	<i>Qty.</i>	<i>2773.0 1</i>
Features		
Total length / Blade length, mm	130/100	
Weight, g	90	
Description		
	With bare bit	

Crimping tools

Crimping tools for wire-end ferrules		PZD 3	PZU 6	PZU 6/S	PZU 16
					
		Crimping tool up to 6 mm ²	Crimping tool up to 6 mm ²	Crimping tool up to 6 mm ²	Crimping tool for up to 10+16 mm ²
Description		For crimping wire-end ferrules with or without plastic collars. Cross-section range: 0.5 – 6 mm ² (AWG 26 – 10). Easy to use, auto-lock for proper and complete crimping. Wire entry from front. Self-opening with integrated spring. High-quality industrial design.	For crimping wire-end ferrules with or without plastic collars. Cross-section range: 0.5 – 6 mm ² (AWG 26 – 10). Easy to use, auto-lock for proper and complete crimping. Wire entry from front. Self-opening with integrated spring. High-quality industrial design.	For crimping wire-end ferrules with or without plastic collars. Cross-section range: 0.14 – 6 mm ² (AWG 26 – 10). Easy to use, auto-lock for proper and complete crimping. Wire entry from side. Self-opening with integrated spring. High-quality industrial design.	For crimping wire-end ferrules with or without plastic collars. Cross section range: 10 – 16 mm ² (AWG 7 – 6) Easy handling. Auto-lock for proper and complete crimping. Wire entry from front. Self-opening with integrated spring. High-quality industrial design.
Weight, g		370	500	560	600
Length, mm		197	210	220	250
Type / colour		PZD 3	PZU 6	PZU 6/S	PZU 16
Cat. no.	Qty.	3135.0	1100.0	3055.0	1465.0
Ratings					
Crimping area, mm ² / AWG		0.5-6 / 2-10	0.14-6 / 26-10	0.14-6 / 26-10	10+16 / 7-6
Crimp shape		Square crimp	Trapezoidal crimp	Trapezoidal crimp	Trapezoidal crimp

Crimping tools for wire-end ferrules		PZU 25	PZU 35
			
		Crimping tool 10 – 25 mm ²	Crimping tool 25 + 35 mm ²
Description		For crimping wire-end ferrules with or without plastic collars. Cross-section range: 10, 16 and 25 mm ² (AWG 7, 5 and 3). Easy to use, auto-lock for proper and complete crimping. Wire entry from side. Self-opening with integrated spring. High-quality industrial design	For crimping wire-end ferrules with or without plastic collars. Cross-section range: 25 – 35 mm ² (AWG 3 – 2). Easy to use, auto-lock for proper and complete crimping. Wire entry from side. Self-opening with integrated spring. High-quality industrial design.
Weight, g		560	540
Length, mm		220	225
Type / colour		PZU 25	PZU 35
Cat. no.	Qty.	3057.0	1466.0
Ratings			
Crimping area, mm ² / AWG		10-25 / 7-3	25+35 / 3+2
Crimp shape		Square crimp	Trapezoidal crimp

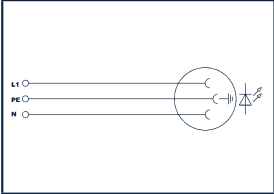
Crimping tools	PZI 6	PZ RG	PZN 10
			
	Crimping tool, cable lugs	Crimping tool Coax connector	Crimping tool Crimp cable lugs
Description	For non-insulated crimp cable lugs with ring, fork or spade shapes. Usage: Profile 1: 0.5 – 1.5 mm ² (red) Profile 2: 1.5 – 2.5 mm ² (blue) Profile 3: 4.0 – 6.0 mm ² (yellow) Easy to use, auto-lock for proper and complete crimping. Wire entry from side. Self-opening with integrated spring. High-quality industrial design.	For BNC - TNC coax connectors (cable types RG 58, 59, 62 and 71). Easy to use, auto-lock for proper and complete crimping. Wire entry from side. Self-opening with integrated spring. High-quality industrial design.	For non-insulated crimp cable lugs with ringed and forked shapes. Usage: Profile 1: 0.1 – 0.5 mm ² [AWG 26 – 20] Profile 2: 0.5 – 2.5 mm ² [AWG 20 – 14] Profile 3: 4.0 – 6.0 mm ² (AWG 12 – 10) Profile 4: 10 mm ² (AWG 7) Easy to use, auto-lock for proper and complete crimping. Wire entry from side. Self-opening with integrated spring. High-quality industrial design.
Weight, g	480	480	480
Length, mm	225	225	225
Type / colour	PZI 6	PZ RG	PZN 10
Cat. no.	1468.0	1474.0	1470.0
Ratings	Qty.	Qty.	Qty.
Crimping area, mm ² / AWG	0.5-6		0.1-10
Crimp shape	Oval crimp	Hexagonal crimp	Indent crimp

CE electrical cabinet socket outlet STD-TS / LED

CE electrical cabinet socket outlet STD-TS / LED

The **STD-TS-LED** electrical cabinet socket outlet can be quickly and conveniently snapped onto a standard **TS 35** using its solid metal foot. This results in significantly reduced assembly work and installation costs! The electrical connection uses an integral screw terminal and then offers a secure pluggable electrical connection for programming devices, service devices or mounting tools. An LED voltage display has also been integrated into the design.

STD-TS / LED



Circuit diagram

- Foot base can be snapped on TS 35 DIN rail
- Metal locking clip
- Screw connection
- Voltage displayed with green LED
- Housing made of polyamide 6.6 UL 94 V-0

Wire connect type

Size (L x W x H) with TS35x7.5 mm

Weight

Type / colour

Cat. no.

Qty.

General information

Rated voltage U_N

Rated current I_N

Illuminated display

Colour

Holding clip

Insulation material

Ambient temperature (operating)

Ambient temperature (during storage/transport)

Standards / Specifications

Screw connection technology

75 x 45 x 67

93 g

STD-TS / LED (GN) GR ●

3196.2

5

250 V AC

16 A AC

LED green with series resistor

Grey RAL 7032

Metal

PA 6.6 UL 94 V-0

-20 to +60 °C

-20 to +60 °C

Directive 2014/35/EU

DIN 49440-1 : 2006-01

DIN VDE 0620-1 : 2016-01

VDE

Approvals

Connection data

Solid wire cross-section, mm²

Stranded wire cross section, mm²

Stranded wire with ferrules cross-section, mm²

Wire cross-section, AWG

Stripping length, mm

Screw thread

Torque, Nm

Accessories

Markers

Cat. no.

Qty.

0.2-4

0.2-2.5

0.2-2.5

24-12

8

M3

0.5-1

MC GS 8/17 R/WH

3321.7

200

Notes

A large grid of dotted lines for taking notes, covering most of the page.

Fuses SI

Micro-fuses/G-fuse cartridges 5 x 20 metric 250 V / slow-acting

Construction:

- Transparent glass tube
- Nickel-plated brass contact caps
- IEC 60127-2/2
- EN 60127-2/2
- DIN VDE 0820-2/2



Melting time limits

Rated current	1.5 x In		2.1 x In		2.75 x In		4 x In		10 x In	
	min.	max.	min.	max.	min.	max.	min.	max.	min.	max.
32 – 100 mA	1 h	2 min.	200 ms	10 s	40 ms	3 s	10 ms	300 s		
125 mA – 10 A	1 h	2 min.	600 ms	10 s	150 ms	3 s	20 ms	300 s		



Type	Cat. no.	Qty.	Rated current mA/A	Rated breaking capacity A AC	Voltage drop, mV	Power loss, W	Melting integral A2s
SI 5x20 0.032 A-T	2912.0	10	32 mA	35 'L'	3000	0.2	0.010
SI 5x20 0.040 A-T	2913.0	10	40 mA	35 'L'	2000	0.2	0.020
SI 5x20 0.050 A-T	2914.0	10	50 mA	35 'L'	1500	0.2	0.035
SI 5x20 0.063 A-T	2915.0	10	63 mA	35 'L'	1000	0.2	0.05
SI 5x20 0.080 A-T	2916.0	10	80 mA	35 'L'	800	0.2	0.12
SI 5x20 0.100 A-T	2917.0	10	100 mA	35 'L'	700	0.3	0.16
SI 5x20 0.125 A-T	2918.0	10	125 mA	35 'L'	600	0.3	0.24
SI 5x20 0.160 A-T	2919.0	10	160 mA	35 'L'	600	0.3	0.4
SI 5x20 0.200 A-T	2920.0	10	200 mA	35 'L'	500	0.3	0.7
SI 5x20 0.250 A-T	2921.0	10	250 mA	35 'L'	400	0.2	1.4
SI 5x20 0.315 A-T	2922.0	10	315 mA	35 'L'	140	0.2	0.35
SI 5x20 0.400 A-T	2923.0	10	400 mA	35 'L'	130	0.2	0.49
SI 5x20 0.500 A-T	2924.0	10	500 mA	35 'L'	120	0.2	0.9
SI 5x20 0.630 A-T	2925.0	10	630 mA	35 'L'	110	0.2	1.4
SI 5x20 0.800 A-T	2926.0	10	800 mA	35 'L'	100	0.3	3.2
SI 5x20 1.000 A-T	2927.0	10	1 A	35 'L'	90	0.3	6.5
SI 5x20 1.250 A-T	2928.0	10	1.25 A	35 'L'	80	0.3	5.0
SI 5x20 1.600 A-T	2929.0	10	1.6 A	35 'L''	80	0.4	10
SI 5x20 2.000 A-T	2930.0	10	2 A	35 'L'	80	0.5	20
SI 5x20 2.500 A-T	2931.0	10	2.5 A	35 'L'	80	0.6	26
SI 5x20 3.150 A-T	2932.0	10	3.15 A	35 'L'	80	0.6	44
SI 5x20 4.000 A-T	2933.0	10	4 A	40 'L'	80	0.8	72
SI 5x20 5.000 A-T	2934.0	10	5 A	50 'L''	80	1.2	130
SI 5x20 6.300 A-T	2935.0	10	6.3 A	63 'L'	70	1.3	230
SI 5x20 8.000 A-T	2936.0	10	8 A	80 'L'	70	1.8	240
SI 5x20 10.00 A-T	2937.0	10	10 A	100 'L'	70	2.4	380

Micro-fuses/G-fuse cartridges 5 x 20 metric 250 V / fast-acting

Construction:

- Transparent glass tube
- Nickel-plated brass contact caps
- IEC 60127-2/2
- EN 60127-2/2
- DIN VDE 0820-2/2



Melting time limits

Rated current	1.5 x I _n		2.1 x I _n		2.75 x I _n		4 x I _n		10 x I _n	
	min.	max.	min.	max.	min.	max.	min.	max.	min.	max.
32 – 100 mA	1 h	30 min.	10 ms	500 ms	3 ms	100 ms	-	300 s		
125 mA – 10 A	1 h	30 min.	50 ms	2 s	10 ms	300 ms	-	300 s		
8 – 10 A	1 h	30 min.	50 ms	2 s	10 ms	400 ms	-	300 s		

Type	Cat. no.	Qty.	Rated current mA/A	Rated breaking capacity A AC	Voltage drop, mV	Power loss, W	Melting integral A2s
SI 5x20 0.032 A-T	2891.0	10	32 mA	35 'L'	10000	0.8	0.0001
SI 5x20 0.040 A-T	2892.0	10	40 mA	35 'L'	8000	0.8	0.0002
SI 5x20 0.050 A-T	2893.0	10	50 mA	35 'L'	3500	0.4	0.0004
SI 5x20 0.063 A-T	2894.0	10	63 mA	35 'L'	3500	0.5	0.0007
SI 5x20 0.080 A-T	2895.0	10	80 mA	35 'L'	2500	0.5	0.0017
SI 5x20 0.100 A-T	2896.0	10	100 mA	35 'L'	2200	0.6	0.0022
SI 5x20 0.125 A-T	2897.0	10	125 mA	35 'L'	350	0.2	0.01
SI 5x20 0.160 A-T	2898.0	10	160 mA	35 'L'	310	0.2	0.02
SI 5x20 0.200 A-T	2899.0	10	200 mA	35 'L'	290	0.2	0.037
SI 5x20 0.250 A-T	2900.0	10	250 mA	35 'L'	280	0.3	0.073
SI 5x20 0.315 A-T	2901.0	10	315 mA	35 'L'	230	0.3	0.16
SI 5x20 0.400 A-T	2902.0	10	400 mA	35 'L'	200	0.3	0.31
SI 5x20 0.500 A-T	2903.0	10	500 mA	35 'L'	160	0.3	0.16
SI 5x20 0.630 A-T	2904.0	10	630 mA	35 'L'	140	0.3	0.39
SI 5x20 0.800 A-T	2905.0	10	800 mA	35 'L'	130	0.4	0.8
SI 5x20 1.000 A-T	2406.0	10	1 A	35 'L'	130	0.5	1.5
SI 5x20 1.250 A-T	2906.0	10	1.25 A	35 'L'	120	0.6	2
SI 5x20 1.600 A-T	2907.0	10	1.6 A	35 'L'	120	0.7	4.1
SI 5x20 2.000 A-T	2407.0	10	2 A	35 'L'	120	0.9	6.2
SI 5x20 2.500 A-T	2908.0	10	2.5 A	35 'L'	120	1	11
SI 5x20 3.150 A-T	2909.0	10	3.15 A	35 'L'	120	1.2	20
SI 5x20 4.000 A-T	2408.0	10	4 A	40 'L'	100	1.4	25
SI 5x20 5.000 A-T	2938.0	10	5 A	50 'L'	100	1.7	42
SI 5x20 6.300 A-T	2409.0	10	6.3 A	63 'L'	100	2	79
SI 5x20 8.000 A-T	2910.0	10	8 A	80 'L'	100	2.2	125
SI 5x20 10.00 A-T	2911.0	10	10 A	100 'L'	100	2.4	220

Fuses SI

Micro-fuses/G-fuse cartridges 6.3 x 32 imperial 250 V / 400 V / 500 V / slow-acting

Construction:

- Ceramic tube
- Nickel-plated brass contact caps



Melting time limits

Rated current	1.5 x I _n		2.1 x I _n		2.75 x I _n		4 x I _n		10 x I _n	
	min.	max.	min.	max.	min.	max.	min.	max.	min.	max.
32 – 100 mA	1 h	30 min.	400 ms	80 s	95 ms	5 s	10 ms	300 ms		
125 mA – 10 A	1 h	30 min.	400 ms	80 s	150 ms	5 s	20 ms	300 ms		



Type	Cat. no.	Qty.	Rated current mA/A	Rated breaking capacity A AC	Voltage drop, mV	Power loss, W	Melting integral A ² s
SI 0.100 A/32 T	4950.0	10	100 mA		3600	1.3	0.05
SI 0.125 A/32 T	4951.0	10	125 mA		3400	1.4	0.08
SI 0.160 A/32 T	4952.0	10	160 mA		3000	1.5	0.12
SI 0.200 A/32 T	4953.0	10	200 mA	1.5 kA	2500	1.60	0.2
SI 0.250 A/32 T	4954.0	10	250 mA		2000	1.7	0.35
SI 0.315 A/32 T	4955.0	10	315 mA	@ 500 V AC	1800	1.8	0.5
SI 0.400 A/32 T	4956.0	10	400 mA		1600	2.0	0.8
SI 0.500 A/32 T	4957.0	10	500 mA	cos φ = 1	450	0.6	0.35
SI 0.630 A/32 T	4958.0	10	630 mA		400	0.7	0.49
SI 0.800 A/32 T	4959.0	10	800 mA		350	0.80	0.9
SI 1.000 A/32 T	4960.0	10	1 A		350	0.9	1.4
SI 1.250 A/32 T	4961.0	10	1.25 A	10 kA @ 400 V AC	300	1.0	3.2
SI 1.600 A/32 T	4962.0	10	1.6 A		200	1.1	5.2
SI 2.000 A/32 T	4963.0	10	2 A	cos φ = 0.3	180	1.2	10
SI 2.500 A/32 T	4964.0	10	2.5 A		160	1.3	19
SI 3.150 A/32 T	4965.0	10	3.15 A		150	1.4	37
SI 4.000 A/32 T	4966.0	10	4 A		140	1.5	68
SI 5.000 A/32 T	4967.0	10	5 A		135	2.2	80
SI 6.300 A/32 T	4968.0	10	6.3 A		110	2.2	215
SI 8.000 A/32 T	4969.0	10	8 A		110	2.6	370
SI 10.000 A/32 T	4970.0	10	10 A		100	3.0	620

Micro-fuses/G-fuse cartridges 6.3 x 32 imperial 440 V / 500V / fast-acting

Construction:

- Ceramic tube
- Nickel-plated brass contact caps



Melting time limits

Rated current	1.5 x I _n		2.1 x I _n		2.75 x I _n		4 x I _n		10 x I _n	
	min.	max.	min.	max.	min.	max.	min.	max.	min.	max.
160 – 800 mA	1 h	30 min.	20 ms	1.5 s	8 ms	400 ms	-	20 ms		
1 – 25 A	1 h	30 min.	100 ms	5 s	20 ms	1 s	-	50 ms		

When using these G-fuse cartridges with 6.3 A or higher, you must ensure that there is sufficient heat dissipation!

Type	Cat. no.	Qty.	Rated current mA/A	Rated breaking capacity A AC	Voltage drop, mV	Power loss, W	Melting integral A2s
SI 0.160 A/32 F	4971.0	10	160 mA		7000	2.5	0.0015
SI 0.200 A/32 F	4972.0	10	200 mA		6500	2.9	0.0035
SI 0.250 A/32 F	4973.0	10	250 mA		6000	3.4	0.0085
SI 0.315 A/32 F	4974.0	10	315 mA	1.5 kA	1000	0.90	0.036
SI 0.400 A/32 F	4975.0	10	400 mA	@ 500 V AC	900	1	0.07
SI 0.500 A/32 F	4976.0	10	500 mA	cos φ = 1	800	1.1	0.19
SI 0.630 A/32 F	4977.0	10	630 mA		700	1.3	0.35
SI 0.800 A/32 F	4978.0	10	800 mA		600	1.4	0.49
SI 1.000 A/32 F	4979.0	10	1 A		400	1.2	0.4
SI 1.250 A/32 F	4980.0	10	1.25 A	50 kA	300	1.30	0.8
SI 1.600 A/32 F	4981.0	10	1.6 A	@ 500 V AC	300	1.4	1.5
SI 2.000 A/32 F	4982.0	10	2 A	cos φ = 1	280	1.6	2.5
SI 2.500 A/32 F	4983.0	10	2.5 A		260	1.8	5
SI 3.150 A/32 F	4984.0	10	3.15 A		240	2.3	9
SI 4.000 A/32 F	4985.0	10	4 A	20 kA	220	2.6	18
SI 5.000 A/32 F	4986.0	10	5 A	@ 500 V AC	190	2.9	40
SI 6.300 A/32 F	4987.0	10	6.3 A		170	3.2	80
SI 8.000 A/32 F	4988.0	10	8 A	1.5 kA	160	3.7	150
SI 10.000 A/32 F	4989.0	10	10 A	@ 500 V AC	150	4.0	240

Motor vehicle fuses

Construction:

- Plastic body with 2 contact pins
- DIN 72581-3C
- Colour-coded amp values



Type	Cat. no.	Qty.	Colour code	Rated current	Voltage drop, mV
SI C 1.000 A/32V	4991.0	100	Black	1.0	130
SI C 2.000 A/32V	4992.0	100	Grey	2.0	120
SI C 3.000 A/32V	4993.0	100	violet	3.0	100
SI C 4.000 A/32V	4994.0	100	pink	4.0	100
SI C 5.000 A/32V	4995.0	100	Light brown	5.0	120
SI C 7.500 A/32V	4996.0	100	Brown	7.5	112
SI C 10.000 A/32V	4997.0	100	Red	10	85
SI C 15.000 A/32V	4998.0	100	cyan	15	85
SI C 20.000 A/32V	4999.0	100	Yellow	20	80

Note:

- spade fuses can only be run (the long-term load) with 80% of the fuse's rated current. Be sure to take the derating curve into consideration!
- The fuse may not be inserted or taken out while under load.
- You should use the largest wire section possible so that the thermal power loss of the fuse can be effectively discharged.
- Rated voltage 32 V DC

Types and catalogue numbers, alphabetic

Type	Cat. no.	Page	Type	Cat. no.	Page	Type	Cat. no.	Page
B			H 0,25/12-T YE	3124.0	31	H 10,0/28-T BN	2144.0	31
BS M 5x8/IS	2415.0	26, 27	H 0,25/5	3096.0	34	H 120,0/32	2792.0	34
BS M 6x12/IS	2304.0	26, 27	H 0,34/10 CY	2622.0	30	H 120,0/50 BU	2788.0	30
D			H 0,34/10-T PI	3125.0	31	H 150,0/32	2793.0	34
D/M 12 BK	17760.4	20	H 0,34/12 CY	2623.0	30	H 150,0/54 YE	2789.0	30
D/M 16 BK	17761.4	20	H 0,34/12-T PI	3126.0	31	H 16,0/12	2391.0	34
D/M 20 BK	17762.4	20	H 0,5/10	3097.0	34	H 16,0/15	2392.0	34
D/M 25 BK	17763.4	20	H 0,5/12 OG	2397.0	30	H 16,0/18	2393.0	34
D/M 32 BK	17764.4	20	H 0,5/12-D WH	2863.0	31	H 16,0/22 GN	2214.0	30
D/M 40 BK	17765.4	20	H 0,5/14 OG	2201.0	30	H 16,0/22-T IV	2145.0	31
D/M 50 BK	17766.4	20	H 0,5/14-D WH	2864.0	31	H 16,0/24-D BU	2855.0	31
D/M 63 BK	17767.4	20	H 0,5/16 OG	3116.0	30	H 16,0/25	3106.0	34
DM/M16	4160.2	18	H 0,5/16-D WH	2865.0	31	H 16,0/25,5 KS BU	3089.0	32
DM/M20	4161.2	18	H 0,5/6	2216.0	34	H 16,0/28 GN	2215.0	30
DM/M25	4162.2	18	H 0,5/8 AWG OG	3077.0	32	H 16,0/28-D BU	2856.0	31
DM/M32	4163.2	18	H 0,5/8-D AWG WH	3090.0	33	H 16,0/28-T IV	2510.0	31
E			H 0,75/10	2218.0	34	H 16,0/32	3107.0	34
ES 15 BG	2074.2	29	H 0,75/12 WH	2398.0	30	H 2,5/10	3100.0	34
ES 15 GR	2074.6	29	H 0,75/12-D GR	2866.0	31	H 2,5/12	2224.0	34
ES 32 BG	2004.2	28	H 0,75/12-T BU	3127.0	31	H 2,5/14 SR GR	3095.0	33
ES 32/2/K BG	2825.2	28	H 0,75/14 AWG GR	3091.0	33	H 2,5/14-D BU	2845.0	30, 31
ES 32/35 BG	1424.2	29	H 0,75/14 WH	2202.0	30	H 2,5/14-D SR BU	3081.0	32, 33
ES 32/K/ST BG	2827.0	28	H 0,75/14-D GR	2867.0	31	H 2,5/14-T GR	1069.0	31
ES 35 BG	2005.2	28	H 0,75/14-T BU	1059.0	31	H 2,5/17,5 KS BU	3084.0	32
ES 35 GR	2005.6	28	H 0,75/16 WH	3117.0	30	H 2,5/18	3101.0	34
ES 35/2/K BG	2826.2	28	H 0,75/16-D GR	2868.0	31	H 2,5/18-D BU	2846.0	30, 31
ES 35/K/ST BG	2828.0	28	H 0,75/16-T BU	3128.0	31	H 2,5/18-T GR	3130.0	31
ES 35/K/ST GR	2828.6	28	H 0,75/18 WH	3118.0	30	H 2,5/21,5 KS BU	3085.0	32
F			H 0,75/18-D GR	2869.0	31	H 2,5/24-D BU	2847.0	30, 31
FDM 12 BK	17632.4	18	H 0,75/18-T BU	3129.0	31	H 2,5/24-T GR	1089.0	31
FDM 12 GR	17632.6	18	H 0,75/6	2217.0	34	H 2,5/7	2223.0	34
FDM 16 BK	17633.4	18	H 0,75/8 AWG WH	3078.0	32	H 25,0/15	2394.0	34
FDM 16 GR	17633.6	18	H 0,75/8-T AWG LB	3094.0	33	H 25,0/18	2395.0	34
FDM 20 BK	17634.4	18	H 1,0/10	2220.0	34	H 25,0/25	3108.0	34
FDM 20 GR	17634.6	18	H 1,0/12 YE	2399.0	30	H 25,0/30 BN	2267.0	30
FDM 25 BK	17635.4	18	H 1,0/12-D RD	2870.0	31	H 25,0/30-D YE	2857.0	31
FDM 25 GR	17635.6	18	H 1,0/14 YE	2203.0	30	H 25,0/30-T BK	2511.0	31
FDM 32 BK	17636.4	18	H 1,0/14-D RD	2871.0	31	H 25,0/32	3109.0	34
FDM 32 GR	17636.6	18	H 1,0/16 YE	3119.0	30	H 25,0/36 BN	2272.0	30
FDM 40 BK	17637.4	18	H 1,0/16-D RD	2872.0	31	H 25,0/36-D YE	2858.0	31
FDM 40 GR	17637.6	18	H 1,0/18 YE	3120.0	30	H 25,0/36-T BK	3132.0	31
FDM 50 BK	17638.4	18	H 1,0/18-D RD	2840.0	31	H 35,0/18	2396.0	34
FDM 50 GR	17638.6	18	H 1,0/6	2219.0	34	H 35,0/25	3110.0	34
FSH 1	2553.0	38	H 1,0/8 AWG YE	3079.0	32	H 35,0/30 BG	2276.0	30
FSH 1/2,8	2548.0	38	H 1,0/8-D AWG RD	3092.0	33	H 35,0/30-D RD	2859.0	31
FSH 1/2,8	2549.0	38	H 1,5/10	2222.0	34	H 35,0/32	3111.0	34
FSH 1/6,3	2550.0	38	H 1,5/12	3098.0	34	H 35,0/32-D RD	3121.0	31
FSH 2,5	2554.0	38	H 1,5/14 RD	2204.0	30	H 35,0/39 BG	2390.0	30
FSH 2,5/4,8	30986.0	38	H 1,5/14-D BK	2841.0	31	H 35,0/39-D RD	2860.0	31
FSH 2,5/6,3	2551.0	38	H 1,5/16 RD	2400.0	30	H 4,0/12	2226.0	34
FSH 4-6	30987.0	38	H 1,5/16-D BK	2842.0	31	H 4,0/15	3102.0	34
FSH 6/6,3	2552.0	38	H 1,5/17,5 KS BK	3082.0	32	H 4,0/18	3103.0	34
FSH A 1	2555.0	38	H 1,5/18	3099.0	34	H 4,0/18-D GR	2848.0	30, 31
FSH A 2,5	2556.0	38	H 1,5/18 RD	2814.0	30	H 4,0/18-T OG	2041.0	31
FSH A 6	30988.0	38	H 1,5/18-D BK	2843.0	31	H 4,0/19,5 KS GR	3086.0	32
FST 1/2,8	2557.0	39	H 1,5/19,5 KS BK	3083.0	32	H 4,0/20-D GR	2849.0	30, 31
FST 1/2,8	30989.0	39	H 1,5/24 RD	2205.0	30	H 4,0/20-D SR GR	3194.0	32
FST 1/6,3	2558.0	39	H 1,5/24-D BK	2844.0	31	H 4,0/20-T OG	3131.0	31
FST 2,5/6,3	2559.0	39	H 1,5/7	2221.0	34	H 4,0/26-D GR	2850.0	30, 31
FST 6/6,3	2560.0	39	H 1,5/8 AWG RD	3080.0	32	H 4,0/26-T OG	2073.0	31
H			H 1,5/8-D AWG BK	3093.0	33	H 4,0/9	2225.0	34
H 0,25/10 LB	2620.0	30	H 10,0/12	2228.0	34	H 50,0/18	3112.0	34
H 0,25/10-T VT	3123.0	31	H 10,0/15	2389.0	34	H 50,0/25	3113.0	34
H 0,25/12 LB	2621.0	30	H 10,0/18	2229.0	34	H 50,0/32	2816.0	34
			H 10,0/22 IV	2212.0	30			
			H 10,0/22-D RD	2853.0	31			
			H 10,0/22-D SR IV	3026.0	32			
			H 10,0/22-T BN	2134.0	31			
			H 10,0/24 KS RD	3088.0	32			
			H 10,0/28 IV	2213.0	30			
			H 10,0/28-D RD	2854.0	31			

Type	Cat. no.	Page	Type	Cat. no.	Page	Type	Cat. no.	Page
H 50,0/36 OL	2500.0	30	HZL/2,5 HL-D BU	2798.0	32, 33	KV/Mex-i 63 x 1,5 BU	17506.5	16
H 50,0/36-D BU	2861.0	31				KV/PG 11	4517.2	21
H 50,0/41-D BU	3122.0	31	HZL/4,0-D GR	2799.0	32, 33	KV/PG 11 BK	4517.4	21
H 6,0/12	2227.0	34				KV/PG 11-MS	4537.2	22
H 6,0/15	2388.0	34	HZL/6,0-D YE	2800.0	33	KV/PG 13,5	4518.2	21
H 6,0/18	3105.0	34				KV/PG 13,5 BK	4518.4	21
H 6,0/20 BK	2210.0	30	I			KV/PG 13,5-MS	4538.2	22
H 6,0/20-D YE	2851.0	31	ISKS 5	2818.0	49	KV/PG 16	4519.2	21
H 6,0/20-T GN	2130.0	31	ISKS 6	2772.0	49	KV/PG 16 BK	4519.4	21
H 6,0/23 KS YE	3087.0	32	ISKS 8	2773.0	49	KV/PG 16-MS	4539.2	22
H 6,0/26 BK	2211.0	30				KV/PG 21	4520.2	21
H 6,0/26-D YE	2852.0	31	K			KV/PG 21 BK	4520.4	21
H 6,0/26-T GN	2133.0	31	KDS/KES-VS 10 WH	28789.7	20	KV/PG 21-MS	4540.2	22
H 70,0/25	2790.0	34	KDS/KES-VS 11 WH	28790.7	20	KV/PG 29	4521.2	21
H 70,0/32	3114.0	34	KDS/KES-VS 12 WH	28791.7	20	KV/PG 29 BK	4521.4	21
H 70,0/37 YE	2786.0	30	KDS/KES-VS 13 WH	28792.7	20	KV/PG 29-MS	4541.2	22
H 95,0/25	3115.0	34	KDS/KES-VS 14 WH	28793.7	20	KV/PG 36	4522.2	21
H 95,0/32	2791.0	34	KDS/KES-VS 15 WH	28794.7	20	KV/PG 36 BK	4522.4	21
H 95,0/44 RD	2787.0	30	KDS/KES-VS 16 WH	28795.7	20	KV/PG 36-MS	4542.2	22
HB-Stripfix	3168.0	47	KDS/KES-VS 17 WH	28796.7	20	KV/PG 42	4523.2	21
HES 32/ST	2760.0	29	KDS/KES-VS 2 WH	28781.7	20	KV/PG 42 BK	4523.4	21
HES 35/ST	2761.0	29	KDS/KES-VS 22 WH	28797.7	20	KV/PG 42-MS	4543.2	22
HZL 0,5 HL OG	3004.0	32	KDS/KES-VS 3 WH	28782.7	20	KV/PG 48	4524.2	21
HZL 0,5 HL-D WH	2993.0	33	KDS/KES-VS 4 WH	28783.7	20	KV/PG 48 BK	4524.4	21
HZL 0,5 L OG	3005.0	32	KDS/KES-VS 5 WH	28784.7	20	KV/PG 48-MS	4544.2	22
HZL 0,5 L-D WH	2994.0	33	KDS/KES-VS 6 WH	28785.7	20	KV/PG 7	4515.2	21
HZL 0,5 OG	3003.0	32	KDS/KES-VS 7 WH	28786.7	20	KV/PG 7 BK	4515.4	21
HZL 0,75 HL WH	3007.0	32	KDS/KES-VS 8 WH	28787.7	20	KV/PG 7-MS	4535.2	22
HZL 0,75 HL-T LB	3030.0	33	KDS/KES-VS 9 WH	28788.7	20	KV/PG 9	4516.2	21
HZL 0,75 L WH	3008.0	32	KV/M 12x1,5 BK	4573.4	16	KV/PG 9 BK	4516.4	21
HZL 0,75 L-D GR	2995.0	33	KV/M 12x1,5 GR	4573.2	16	KV/PG 9-MS	4536.2	22
HZL 0,75 L-T LB	3031.0	33	KV/M 12x1,5-MS	4169.2	19	KVC/PG 11	4527.2	21
HZL 0,75 WH	3006.0	32	KV/M 16x1,5 BK	4574.4	16	KVC/PG 13,5	4528.2	21
HZL 0,75-T LB	3029.0	32	KV/M 16x1,5 GR	4574.2	16	KVC/PG 16	4529.2	21
HZL 1,0 HL YE	3010.0	32	KV/M 16x1,5-MS	4170.2	19	KVC/PG 21	4530.2	21
HZL 1,0 L YE	3011.0	32	KV/M 20x1,5 BK	4575.4	16	KVC/PG 29	4531.2	21
HZL 1,0 L-D RD	2996.0	33	KV/M 20x1,5 GR	4575.2	16	KVC/PG 36	4532.2	21
HZL 1,0 YE	3009.0	32	KV/M 20x1,5-MS	4171.2	19	KVC/PG 42	4533.2	21
HZL 1,5 HL RD	3013.0	32	KV/M 25x1,5 BK	4576.4	16	KVC/PG 48	4534.2	21
HZL 1,5 L RD	3014.0	32	KV/M 25x1,5 GR	4576.2	16	KVC/PG 7	4525.2	21
HZL 1,5 L-D BK	2997.0	33	KV/M 25x1,5-MS	4172.2	19	KVC/PG 9	4526.2	21
HZL 1,5 RD	3012.0	32	KV/M 32x1,5 BK	4577.4	16			
HZL 10,0 IV	3022.0	32	KV/M 32x1,5 GR	4577.2	16	M		
HZL 10,0 L IV	3023.0	32	KV/M 32x1,5-MS	4173.2	19	MC GS 8/17 R t WH	3321.7	52
HZL 10,0 L-D RD	3001.0	33	KV/M 40x1,5 BK	4578.4	16			
HZL 10,0 L-T BN	3046.0	33	KV/M 40x1,5 GR	4578.2	16	P		
HZL 10,0-T BN	3045.0	33	KV/M 40x1,5-MS	4174.2	19	PZ RG	1474.0	51
HZL 16,0 GN	3024.0	32	KV/M 50x1,5 BK	4579.4	16	PZD 3	3135.0	50
HZL 16,0 L GN	3025.0	32	KV/M 50x1,5 GR	4579.2	16	PZI 6	1468.0	51
HZL 16,0 L-D BU	3002.0	33	KV/M 50x1,5-MS	4175.2	19	PZN 10	1470.0	51
HZL 16,0 L-T WH	3048.0	33	KV/M 63x1,5 BK	4580.4	16	PZU 16	1465.0	50
HZL 16,0-T WH	3047.0	33	KV/M 63x1,5 GR	4580.2	16	PZU 25	3057.0	50
HZL 2,5 HL-T GR	3039.0	33	KV/M 63x1,5-MS	4176.2	19	PZU 35	1466.0	50
HZL 2,5 L-D BU	2998.0	32, 33	KV/M 75x1,5-MS	4177.2	19	PZU 6	1100.0	50
			KV/M-L 12x1,5 GR	17599.2	16	PZU 6/S	3055.0	50
HZL 2,5 L-T GR	3040.0	33	KV/M-L 16x1,5 GR	17600.2	16			
HZL 2,5-T GR	3038.0	33	KV/M-L 20x1,5 GR	17601.2	16	Q		
HZL 4,0 L-D GR	2999.0	32, 33	KV/M-L 25x1,5 GR	17602.2	16	QKS 1	2534.0	36
			KV/M-L 32x1,5 GR	17603.2	16	QKS 1	2535.0	36
HZL 4,0 L-T OG	3042.0	33	KV/M-L 40x1,5 GR	17604.2	16	QKS 1	2536.0	36
HZL 4,0-T OG	3041.0	33	KV/M-L 50x1,5 GR	17605.2	16	QKS 1/U/M2,5	30804.0	40
HZL 6,0 BK	3020.0	32	KV/M-L 63x1,5 GR	17606.2	16	QKS 1/U/M3	30805.0	40
HZL 6,0 L BK	3021.0	32	KV/Mex-e 16x1,5 BK	17500.4	16	QKS 1/U/M3,5	30806.0	40
HZL 6,0 L-D YE	3000.0	33	KV/Mex-e 20 x 1,5 BK	17501.4	16	QKS 1/U/M4	30807.0	40
HZL 6,0 L-T GN	3044.0	33	KV/Mex-e 25 x 1,5 BK	17502.4	16	QKS 1/U/M5	30808.0	40
HZL 6,0-T GN	3043.0	33	KV/Mex-e 32 x 1,5 BK	17503.4	16	QKS 1/U/M6	30809.0	40
HZL/0,5-D WH	2794.0	33	KV/Mex-e 40 x 1,5 BK	17504.4	16	QKS 1/U/M8	30810.0	40
HZL/0,75 HL-D GR	2795.0	33	KV/Mex-e 50 x 1,5 BK	17505.4	16	QKS 10/U/M10	30827.0	40
HZL/0,75-D GR	2775.0	33	KV/Mex-e 63 x 1,5 BK	17506.4	16	QKS 10/U/M12	30828.0	40
HZL/1,0 HL-D RD	2796.0	33	KV/Mex-i 16x1,5 BU	17500.5	16	QKS 10/U/M5	30824.0	40
HZL/1,0-D RD	2776.0	33	KV/Mex-i 20 x 1,5 BU	17501.5	16	QKS 10/U/M6	30825.0	40
HZL/1,5 HL-D BK	2797.0	33	KV/Mex-i 25 x 1,5 BU	17502.5	16	QKS 10/U/M8	30826.0	40
HZL/1,5-D BK	2777.0	33	KV/Mex-i 32 x 1,5 BU	17503.5	16	QKS 120/U/M10	30865.0	40
HZL/10,0-D RD	2801.0	33	KV/Mex-i 40 x 1,5 BU	17504.5	16	QKS 120/U/M12	30866.0	40
HZL/16,0-D BU	2802.0	33	KV/Mex-i 50 x 1,5 BU	17505.5	16	QKS 120/U/M14	30867.0	40

Type	Cat. no.	Page	Type	Cat. no.	Page	Type	Cat. no.	Page
QKS 120/U/M16	30868.0	40	QKS G 2,5	3068.0	36	RKS 70/U/M8	30947.0	42
QKS 120/U/M8	30864.0	40	QKS G 2,5	3069.0	36	RKS 95/U/M10	30954.0	42
QKS 150/U/M10	30869.0	40	QKS G 6	3070.0	36	RKS 95/U/M12	30955.0	42
QKS 150/U/M12	30870.0	40	QKS G 6	3071.0	36	RKS 95/U/M14	30956.0	42
QKS 150/U/M14	30871.0	41	QKS G 6	3072.0	36	RKS 95/U/M20	30958.0	42
QKS 150/U/M16	30872.0	41	QKS G 6	3073.0	36	RKS 95/U/M8	30953.0	42
QKS 16/U/M10	30832.0	40						
QKS 16/U/M12	30833.0	40						
QKS 16/U/M5	30829.0	40	R			S		
QKS 16/U/M6	30830.0	40	RKS 10/U/M10	30920.0	42	S/M 12-MS/EMV	17728.2	19
QKS 16/U/M8	30831.0	40	RKS 10/U/M12	30921.0	42	S/M 12x1,5 BK	4140.4	17
QKS 185/U/M10	30873.0	41	RKS 10/U/M4	30916.0	42	S/M 12x1,5 GR	4140.2	17
QKS 185/U/M12	30874.0	41	RKS 10/U/M5	30917.0	42	S/M 12x1,5-MS	4186.2	19
QKS 185/U/M14	30875.0	41	RKS 10/U/M6	30918.0	42	S/M 16-MS/EMV	17729.2	19
QKS 185/U/M16	30876.0	41	RKS 10/U/M8	30919.0	42	S/M 16x1,5 BK	4141.4	17
QKS 2,5	2537.0	36	RKS 120/U/M10	30960.0	42	S/M 16x1,5 GR	4141.2	17
QKS 2,5	2538.0	36	RKS 120/U/M12	30961.0	42	S/M 16x1,5-MS	4187.2	19
QKS 2,5	2539.0	36	RKS 120/U/M14	30962.0	42	S/M 20-MS/EMV	17730.2	19
QKS 2,5	2540.0	36	RKS 120/U/M16	30963.0	42	S/M 20x1,5 BK	4142.4	17
QKS 2,5/U/M10	30817.0	40	RKS 120/U/M20	30964.0	42	S/M 20x1,5 GR	4142.2	17
QKS 2,5/U/M3	30811.0	40	RKS 120/U/M8	30959.0	42	S/M 20x1,5-MS	4188.2	19
QKS 2,5/U/M3,5	30812.0	40	RKS 150/U/M10	30966.0	42	S/M 25-MS/EMV	17731.2	19
QKS 2,5/U/M4	30813.0	40	RKS 150/U/M12	30967.0	42	S/M 25x1,5 BK	4143.4	17
QKS 2,5/U/M5	30814.0	40	RKS 150/U/M14	30968.0	42	S/M 25x1,5 GR	4143.2	17
QKS 2,5/U/M6	30815.0	40	RKS 150/U/M16	30969.0	42	S/M 25x1,5-MS	4189.2	19
QKS 2,5/U/M8	30816.0	40	RKS 150/U/M20	30970.0	42	S/M 32-MS/EMV	17732.2	19
QKS 240/U/M10	30877.0	41	RKS 150/U/M8	30965.0	42	S/M 32x1,5 BK	4144.4	17
QKS 240/U/M12	30878.0	41	RKS 16/U/M10	30925.0	42	S/M 32x1,5 GR	4144.2	17
QKS 240/U/M14	30879.0	41	RKS 16/U/M12	30926.0	42	S/M 32x1,5-MS	4190.2	19
QKS 240/U/M16	30880.0	41	RKS 16/U/M5	30922.0	42	S/M 40-MS/EMV	17733.2	19
QKS 25/U/M10	30837.0	40	RKS 16/U/M6	30923.0	42	S/M 40x1,5 BK	4145.4	17
QKS 25/U/M12	30838.0	40	RKS 16/U/M8	30924.0	42	S/M 40x1,5 GR	4145.2	17
QKS 25/U/M14	30839.0	40	RKS 185/U/M10	30971.0	42	S/M 40x1,5-MS	4191.2	19
QKS 25/U/M16	30840.0	40	RKS 185/U/M12	30972.0	42	S/M 50-MS/EMV	17734.2	19
QKS 25/U/M5	30834.0	40	RKS 185/U/M14	30973.0	42	S/M 50x1,5 BK	4146.4	17
QKS 25/U/M6	30835.0	40	RKS 185/U/M16	30974.0	42	S/M 50x1,5 GR	4146.2	17
QKS 25/U/M8	30836.0	40	RKS 185/U/M20	30975.0	42	S/M 50x1,5-MS	4192.2	19
QKS 35/U/M10	30843.0	40	RKS 240/U/M10	30976.0	43	S/M 63-MS/EMV	17735.2	19
QKS 35/U/M12	30844.0	40	RKS 240/U/M12	30977.0	43	S/M 63x1,5 BK	4147.4	17
QKS 35/U/M14	30845.0	40	RKS 240/U/M14	30978.0	43	S/M 63x1,5 GR	4147.2	17
QKS 35/U/M16	30846.0	40	RKS 240/U/M16	30979.0	43	S/M 63x1,5-MS	4193.2	19
QKS 35/U/M6	30841.0	40	RKS 240/U/M20	30980.0	43	S/M 75x1,5-MS	17737.2	19
QKS 35/U/M8	30842.0	40	RKS 25/U/M10	30930.0	42	S/PG 11	4517.8	21
QKS 50/U/M10	30849.0	40	RKS 25/U/M12	30931.0	42	S/PG 11 BK	4517.0	21
QKS 50/U/M12	30850.0	40	RKS 25/U/M14	30932.0	42	S/PG 11-MS	4537.8	22
QKS 50/U/M14	30851.0	40	RKS 25/U/M5	30927.0	42	S/PG 13,5	4518.8	21
QKS 50/U/M16	30852.0	40	RKS 25/U/M6	30928.0	42	S/PG 13,5 BK	4518.0	21
QKS 50/U/M6	30847.0	40	RKS 25/U/M8	30929.0	42	S/PG 13,5-MS	4538.8	22
QKS 50/U/M8	30848.0	40	RKS 300/U/M10	30981.0	43	S/PG 16	4519.8	21
QKS 6	2541.0	36	RKS 300/U/M12	30982.0	43	S/PG 16 BK	4519.0	21
QKS 6	2543.0	36	RKS 300/U/M14	30983.0	43	S/PG 16-MS	4539.8	22
QKS 6, yellow	2542.0	36	RKS 300/U/M16	30984.0	43	S/PG 21	4520.8	21
QKS 6, yellow	2544.0	36	RKS 300/U/M20	30985.0	43	S/PG 21 BK	4520.0	21
QKS 6/U/M10	30822.0	40	RKS 35/U/M10	30935.0	42	S/PG 21-MS	4540.8	22
QKS 6/U/M12	30823.0	40	RKS 35/U/M12	30936.0	42	S/PG 29	4521.8	21
QKS 6/U/M4	30818.0	40	RKS 35/U/M14	30937.0	42	S/PG 29 BK	4521.0	21
QKS 6/U/M5	30819.0	40	RKS 35/U/M16	30938.0	42	S/PG 29-MS	4541.8	22
QKS 6/U/M6	30820.0	40	RKS 35/U/M6	30933.0	42	S/PG 36	4522.8	21
QKS 6/U/M8	30821.0	40	RKS 35/U/M8	30934.0	42	S/PG 36 BK	4522.0	21
QKS 70/U/M10	30855.0	40	RKS 50/U/M10	30941.0	42	S/PG 36-MS	4542.8	22
QKS 70/U/M12	30856.0	40	RKS 50/U/M12	30942.0	42	S/PG 42	4523.8	21
QKS 70/U/M14	30857.0	40	RKS 50/U/M14	30943.0	42	S/PG 42 BK	4523.0	21
QKS 70/U/M16	30858.0	40	RKS 50/U/M16	30944.0	42	S/PG 42-MS	4543.8	22
QKS 70/U/M6	30853.0	40	RKS 50/U/M20	30945.0	42	S/PG 48	4524.8	21
QKS 70/U/M8	30854.0	40	RKS 50/U/M6	30939.0	42	S/PG 48 BK	4524.0	21
QKS 95/U/M10	30860.0	40	RKS 50/U/M8	30940.0	42	S/PG 48-MS	4544.8	22
QKS 95/U/M12	30861.0	40	RKS 6/U/M10	30914.0	42	S/PG 7	4515.8	21
QKS 95/U/M14	30862.0	40	RKS 6/U/M12	30915.0	42	S/PG 7 BK	4515.0	21
QKS 95/U/M16	30863.0	40	RKS 6/U/M4	30910.0	42	S/PG 7-MS	4535.8	22
QKS 95/U/M8	30859.0	40	RKS 6/U/M5	30911.0	42	S/PG 9	4516.8	21
QKS G 0,5/3,5	32007.0	36	RKS 6/U/M6	30912.0	42	S/PG 9 BK	4516.0	21
QKS G 1	3064.0	36	RKS 6/U/M8	30913.0	42	S/PG 9-MS	4536.8	22
QKS G 1	3065.0	36	RKS 70/U/M10	30948.0	42	SDB 0,4x2,0	3164.0	48
QKS G 1	3066.0	36	RKS 70/U/M12	30949.0	42	SDB 0,4x2,5	3169.0	48
QKS G 1/6,4	32006.0	36	RKS 70/U/M14	30950.0	42	SDB 0,5x3,0	1085.0	48
QKS G 2,5	3067.0	36	RKS 70/U/M16	30951.0	42	SDB 0,6x3,5	1086.0	48
			RKS 70/U/M6	30946.0	42	SDB 0,8x4,0	1087.0	48

Type	Cat. no.	Page	Type	Cat. no.	Page	Type	Cat. no.	Page
SDB 1,2x6,5	1088.0	48	SI 6,3x32 0,400A-T	4956.0	56	STV 16/U	30899.0	41
SDI 0,4x2,5	1081.0	48	SI 6,3x32 0,500A-F	4976.0	57	STV 185/U	30907.0	41
SDI 0,6x3,5	1082.0	48	SI 6,3x32 0,500A-T	4957.0	56	STV 2,5	3075.0	37
SDI 1,0x5,5	1083.0	48	SI 6,3x32 0,630A-F	4977.0	57	STV 2,5/HS	30802.0	37
SDI 1,2x6,5	1084.0	48	SI 6,3x32 0,630A-T	4958.0	56	STV 2,5/U	30893.0	41
SDIK 1,0x80	2278.0	48	SI 6,3x32 0,800A-F	4978.0	57	STV 2,5/U/L	30894.0	41
SDIK 2,0x100	2279.0	48	SI 6,3x32 0,800A-T	4959.0	56	STV 240/U	30908.0	41
SDK 1,0x80	2289.0	48	SI 6,3x32 1,000A-F	4979.0	57	STV 25/U	30900.0	41
SDK 2,0x100	2290.0	48	SI 6,3x32 1,000A-T	4960.0	56	STV 300/U	30909.0	41
SES 35 BG	17250.2	29	SI 6,3x32 1,250A-F	4980.0	57	STV 35/U	30901.0	41
SES 35 BK	17250.4	29	SI 6,3x32 1,250A-T	4961.0	56	STV 4/U	30895.0	41
SES 35 GR	17250.6	29	SI 6,3x32 1,600A-F	4981.0	57	STV 4/U/L	30896.0	41
SHES 35 BG	17259.2	29	SI 6,3x32 1,600A-T	4962.0	56	STV 50/U	30902.0	41
SI 5x20 0,032A- F	2891.0	55	SI 6,3x32 10,000A-F	4989.0	57	STV 6, yellow	3076.0	37
SI 5x20 0,032A-T	2912.0	54	SI 6,3x32 10,000A-T	4970.0	56	STV 6/HS	30803.0	37
SI 5x20 0,040A- F	2892.0	55	SI 6,3x32 2,000A-F	4982.0	57	STV 6/U	30897.0	41
SI 5x20 0,040A-T	2913.0	54	SI 6,3x32 2,000A-T	4963.0	56	STV 70/U	30903.0	41
SI 5x20 0,050A- F	2893.0	55	SI 6,3x32 2,500A-F	4983.0	57	STV 95/U	30904.0	41
SI 5x20 0,050A-T	2914.0	54	SI 6,3x32 2,500A-T	4964.0	56			
SI 5x20 0,063A- F	2894.0	55	SI 6,3x32 3,150A-F	4984.0	57	T		
SI 5x20 0,063A-T	2915.0	54	SI 6,3x32 3,150A-T	4965.0	56	TS 15 ALU UGL	2711.0	26
SI 5x20 0,080A- F	2895.0	55	SI 6,3x32 4,000A-F	4985.0	57	TS 15 GL	2092.0	26
SI 5x20 0,080A-T	2916.0	54	SI 6,3x32 4,000A-T	4966.0	56	TS 15 UGL	2091.0	26
SI 5x20 0,100A- F	2896.0	55	SI 6,3x32 5,000A-F	4986.0	57	TS 32 GL	2093.0	27
SI 5x20 0,100A-T	2917.0	54	SI 6,3x32 5,000A-T	4967.0	56	TS 32 UGL	2025.0	27
SI 5x20 0,125A- F	2897.0	55	SI 6,3x32 6,300A-F	4987.0	57	TS 35x15 GL	2095.0	24
SI 5x20 0,125A-T	2918.0	54	SI 6,3x32 6,300A-T	4968.0	56	TS 35x15 GL (6,2x18 mm)	4566.0	24
SI 5x20 0,160A- F	2898.0	55	SI 6,3x32 8,000A-F	4988.0	57	TS 35x15 Steel GL/galvanized	4564.0	25
SI 5x20 0,160A-T	2919.0	54	SI 6,3x32 8,000A-T	4969.0	56	TS 35x15 Steel UGL/galvanized	4561.0	25
SI 5x20 0,200A- F	2899.0	55	SI C 1,000 A/32V	4991.0	57	TS 35x15 UGL	2027.0	24
SI 5x20 0,200A-T	2920.0	54	SI C 10,000 A/32V	4997.0	57	TS 35x15/2,3 GL	2039.0	25
SI 5x20 0,250A- F	2900.0	55	SI C 15,000 A/32V	4998.0	57	TS 35x15/2,3 UGL	2038.0	25
SI 5x20 0,250A-T	2921.0	54	SI C 2,000 A/32V	4992.0	57	TS 35x7,5 ALU UGL	2710.0	25
SI 5x20 0,315A- F	2901.0	55	SI C 20,000 A/32V	4999.0	57	TS 35x7,5 GL	2094.0	24
SI 5x20 0,315A-T	2922.0	54	SI C 3,000 A/32V	4993.0	57	TS 35x7,5 GL (6,2x18 mm)	2704.0	24
SI 5x20 0,400A- F	2902.0	55	SI C 4,000 A/32V	4994.0	57	TS 35x7,5 Steel GL/galvanized	4563.0	25
SI 5x20 0,400A-T	2923.0	54	SI C 5,000 A/32V	4995.0	57	TS 35x7,5 Steel UGL/galvanized	4562.0	25
SI 5x20 0,500A- F	2903.0	55	SI C 7,500 A/32V	4996.0	57	TS 35x7,5 UGL	2026.0	24
SI 5x20 0,500A-T	2924.0	54	SKS 1	2545.0	37	TS-PS eco	3895.0	23
SI 5x20 0,630A- F	2904.0	55	SKS 1/U	30881.0	41	TS-PSS 2	3894.0	23
SI 5x20 0,630A-T	2925.0	54	SKS 10/U	30884.0	41	TST/M 5	2736.0	27
SI 5x20 0,800A- F	2905.0	55	SKS 16/U	30885.0	41	TST/M 6	2737.0	27
SI 5x20 0,800A-T	2926.0	54	SKS 2,5	2546.0	37	TSTW/F/M 5	2564.0	27
SI 5x20 1,000A- F	2406.0	55	SKS 2,5/U	30882.0	41	TSTW/F/M 6	2563.0	26
SI 5x20 1,000A-T	2927.0	54	SKS 25/U	30886.0	41	TSTW/M 5	2414.0	26
SI 5x20 1,250A- F	2906.0	55	SKS 35/U	30887.0	41	TSTW/M 6	2303.0	26
SI 5x20 1,250A-T	2928.0	54	SKS 50/U	30888.0	41			
SI 5x20 1,600A- F	2907.0	55	SKS 6	2547.0	37	V		
SI 5x20 1,600A-T	2929.0	54	SKS 6/U	30883.0	41	V/M 12x1,5 GR	4589.2	18
SI 5x20 10,000A- F	2911.0	55	SKS 70/U	30889.0	41	V/M 12x1,5 MS	4178.2	19
SI 5x20 10,000A-T	2937.0	54	SKS 95/U	30890.0	41	V/M 16x1,5 GR	4590.2	18
SI 5x20 2,000A- F	2407.0	55	SMSST/L 12x6,4 mm	3898.0	23	V/M 16x1,5 MS	4179.2	19
SI 5x20 2,000A-T	2930.0	54	SMSST/Q 12x6,4 mm	3898.1	23	V/M 20x1,5 GR	4591.2	18
SI 5x20 2,500A- F	2908.0	55	SMSST/R 5,5 mm	3898.2	23	V/M 20x1,5 MS	4180.2	19
SI 5x20 2,500A-T	2931.0	54	SMSST/R 6,0 mm	3898.3	23	V/M 25x1,5 GR	4592.2	18
SI 5x20 3,150A- F	2909.0	55	SN-PA 3,5 BK	17896.4	13	V/M 25x1,5 MS	4181.2	19
SI 5x20 3,150A-T	2932.0	54	SN-PA 5 BK	17897.4	13	V/M 32x1,5 GR	4593.2	18
SI 5x20 4,000A- F	2408.0	55	SN-PA 6 BK	17898.4	13	V/M 32x1,5 MS	4182.2	19
SI 5x20 4,000A-T	2933.0	54	SN-PA 6,5 GR	17899.6	13	V/M 40x1,5 GR	4594.2	18
SI 5x20 5,000A- F	2938.0	55	SN-SW	17895.0	14	V/M 40x1,5 MS	4183.2	19
SI 5x20 5,000A-T	2934.0	54	SN/M20	4148.2	18	V/M 50x1,5 GR	4595.2	18
SI 5x20 6,300A- F	2409.0	55	SN/M25	4149.2	18	V/M 50x1,5 MS	4184.2	19
SI 5x20 6,300A-T	2935.0	54	SN/M32	4150.2	18	V/M 63x1,5 GR	4596.2	18
SI 5x20 8,000A- F	2910.0	55	SN/M40	4151.2	18	V/M 63x1,5 MS	4185.2	19
SI 5x20 8,000A-T	2936.0	54	STD-TS/LED(GN) GR	3196.2	52	V/PG 11	4517.6	21
SI 6,3x32 0,100A-T	4950.0	56	Stripfix	1074.0	47	V/PG 11-MS	4537.6	22
SI 6,3x32 0,125A-T	4951.0	56	Stripfix-16	3167.0	47	V/PG 13,5	4518.6	21
SI 6,3x32 0,160A-F	4971.0	57	Stripfix-V	3166.0	47	V/PG 13,5-MS	4538.6	22
SI 6,3x32 0,160A-T	4952.0	56	STV 0,5/HS	30800.0	37	V/PG 16	4519.6	21
SI 6,3x32 0,200A-F	4972.0	57	STV 1	3074.0	37	V/PG 16-MS	4539.6	22
SI 6,3x32 0,200A-T	4953.0	56	STV 1/HS	30801.0	37	V/PG 21	4520.6	21
SI 6,3x32 0,250A-F	4973.0	57	STV 1/U	30891.0	41	V/PG 21-MS	4540.6	22
SI 6,3x32 0,250A-T	4954.0	56	STV 1/U/L	30892.0	41	V/PG 29	4521.6	21
SI 6,3x32 0,315A-F	4974.0	57	STV 10/U	30898.0	41	V/PG 29-MS	4541.6	22
SI 6,3x32 0,315A-T	4955.0	56	STV 120/U	30905.0	41	V/PG 36	4522.6	21
SI 6,3x32 0,400A-F	4975.0	57	STV 150/U	30906.0	41	V/PG 36-MS	4542.6	22

Type	Cat. no.	Page	Type	Cat. no.	Page	Type	Cat. no.	Page
V/PG 42	4523.6	21	VK-HF 40x100 LG	17857.6	11	VRM-MS 32/20	17712.2	18
V/PG 42-MS	4543.6	22	VK-HF 40x60 LG	17845.6	11	VRM-MS 32/25	17713.2	18
V/PG 48	4524.6	21	VK-HF 40x80 LG	17851.6	11	VRM-MS 40/25	17714.2	18
V/PG 48-MS	4544.6	22	VK-HF 60x100 LG	17858.6	11	VRM-MS 40/32	17715.2	18
V/PG 7	4515.6	21	VK-HF 60x40 LG	17843.6	11	VRM-MS 50/32	17716.2	18
V/PG 7-MS	4535.6	22	VK-HF 60x60 LG	17846.6	11	VRM-MS 50/40	17717.2	18
V/PG 9	4516.6	21	VK-HF 60x80 LG	17852.6	11	VRM-MS 63/40	17718.2	18
V/PG 9-MS	4536.6	22	VK-HF 80x60 LG	17847.6	11	VRM-MS 63/50	17719.2	18
VEE-MS 12-05	17720.2	19	VK-HF 80x80 LG	17853.6	11	VS/M 16	4164.2	18
VEE-MS 16-07	17721.2	19	VK-HF-D 100 LG	17875.6	11	VS/M 20	4165.2	18
VEE-MS 18-09	17722.2	19	VK-HF-D 25 LG	17870.6	11	VS/M 25	4166.2	18
VEE-MS 24-16	17723.2	19	VK-HF-D 30 LG	17871.6	11	VS/M 32	4167.2	18
VEE-MS 36-20	17724.2	19	VK-HF-D 40 LG	17872.6	11	VS/M 40	4168.2	18
VEE-MS 36-26	17725.2	19	VK-HF-D 60 LG	17873.6	11	VSG/Mex 12 BK	17780.4	20
VEE-MS 45-33	17726.2	19	VK-HF-D 80 LG	17874.6	11	VSG/Mex 16 BK	17781.4	20
VEE-MS 56-45	17727.2	19	VK-S 125 + HF	3897.2	14	VSG/Mex 20 BK	17782.4	20
VEM 12/16	17607.2	17	VK-SS 12 transp,	17957.0	12	VSG/Mex 25 BK	17783.4	20
VEM 16/20	17608.2	17	VK-SS 20 transp,	17958.0	12	VSG/Mex 32 BK	17784.4	20
VEM 20/25	17609.2	17	VK-SS 3 transp,	17956.0	12	VSG/Mex 40 BK	17785.4	20
VEM 25/32	17610.2	17	VMD 12/04/020 BK	17647.4	20	VSG/Mex 50 BK	17786.4	20
VEM 32/40	17611.2	17	VMD 16/02/040 BK	17648.4	20	VSG/Mex 63 BK	17787.4	20
VEM 40/50	17612.2	17	VMD 20/02/060 BK	17649.4	20	VSG/Mex 75 BK	17788.4	20
VEM 50/63	17613.2	17	VMD 20/02/065 BK	17650.4	20			
VEM-MS 12/16	17700.2	19	VMD 20/03/040 BK	17651.4	20			
VEM-MS 16/20	17701.2	19	VMD 25/01/065 BK	17652.4	20			
VEM-MS 20/25	17702.2	19	VMD 25/02/060 BK	17653.4	20			
VEM-MS 25/32	17703.2	19	VMD 25/02/070 BK	17654.4	20			
VEM-MS 32/40	17704.2	19	VMD 25/02/080 BK	17655.4	20			
VEM-MS 40/50	17705.2	19	VMD 25/03/070 BK	17656.4	20			
VEM-MS 50/63	17706.2	19	VMD 25/04/060 BK	17657.4	20			
VK 100x100 GR	17820.6	9	VMD 32/04/070 BK	17658.4	20			
VK 100x60 GR	17808.6	9	VMD 32/04/080 BK	17659.4	20			
VK 100x80 GR	17814.6	9	VMD 32/06/060 BK	17660.4	20			
VK 120x60 GR	17809.6	9	VMD 40/07/070 BK	17661.4	20			
VK 120x80 GR	17815.6	9	VMD 40/07/080 BK	17662.4	20			
VK 150x100 GR	17821.6	9	VMD 40/08/060 BK	17663.4	20			
VK 25x100 GR	17816.6	9	VMD 50/09/080 BK	17664.4	20			
VK 25x30 GR	17800.6	9	VMN 12x1,5	17790.2	20			
VK 25x40 GR	17801.6	9	VMN 16x1,5	17791.2	20			
VK 25x60 GR	17804.6	9	VMN 20x1,5	17792.2	20			
VK 25x80 GR	17810.6	9	VMN 25x1,5	17793.2	20			
VK 40x100 GR	17817.6	9	VMN 32x1,5	17794.2	20			
VK 40x40 GR	17802.6	9	VMN 40x1,5	17795.2	20			
VK 40x60 GR	17805.6	9	VMN 50x1,5	17796.2	20			
VK 40x80 GR	17811.6	9	VMN 63x1,5	17797.2	20			
VK 60x100 GR	17818.6	9	VRDE 12 BK	17639.4	20			
VK 60x40 GR	17803.6	9	VRDE 16 BK	17640.4	20			
VK 60x60 GR	17806.6	9	VRDE 20 BK	17641.4	20			
VK 60x80 GR	17812.6	9	VRDE 25 BK	17642.4	20			
VK 80x100 GR	17819.6	9	VRDE 32 BK	17643.4	20			
VK 80x60 GR	17807.6	9	VRDE 40 BK	17644.4	20			
VK 80x80 GR	17813.6	9	VRDE 50 BK	17645.4	20			
VK-AKZ	17894.0	14	VRDE 63 BK	17646.4	20			
VK-D 100 GR	17835.6	9	VRM 16/12	17614.2	17			
VK-D 120 GR	17836.6	9	VRM 20/12	17615.2	17			
VK-D 150 GR	17837.6	9	VRM 20/16	17616.2	17			
VK-D 25 GR	17830.6	9	VRM 25/12	17617.2	17			
VK-D 40 GR	17832.6	9	VRM 25/16	17618.2	17			
VK-D 60 GR	17833.6	9	VRM 25/20	17619.2	17			
VK-D 80 GR	17834.6	9	VRM 32/16	17620.2	17			
VK-DH GR	17890.6	12	VRM 32/20	17621.2	17			
VK-DH2 BK	17955.4	12	VRM 32/25	17622.2	17			
VK-DHG-40 BK	17951.4	12	VRM 40/20	17623.2	17			
VK-DHG-60 BK	17952.4	12	VRM 40/25	17624.2	17			
VK-DHG-80 BK	17953.4	12	VRM 40/32	17625.2	17			
VK-DHKB BK	17954.4	12	VRM 50/25	17626.2	17			
VK-DTH GR	17892.6	13	VRM 50/32	17627.2	17			
VK-FLEX-HF 10x10 GR	17880.6	12	VRM 50/40	17628.2	17			
VK-FLEX-HF 10x20 GR	17881.6	12	VRM 63/32	17629.2	17			
VK-FLEX-HF 10x30 GR	17882.6	12	VRM 63/40	17630.2	17			
VK-FLEX-HF 10x40 GR	17883.6	12	VRM 63/50	17631.2	17			
VK-HF 100x100 LG	17860.6	11	VRM-MS 16/12	17707.2	18			
VK-HF 25x40 LG	17841.6	11	VRM-MS 20/12	17708.2	18			
VK-HF 25x60 LG	17844.6	11	VRM-MS 20/16	17709.2	18			
VK-HF 25x80 LG	17850.6	11	VRM-MS 25/16	17710.2	18			
VK-HF 30x30 LG	17840.6	11	VRM-MS 25/20	17711.2	18			

W
 Wire-end ferrules box for 0,5 – 2,5 mm² **2884.0** 35
 Wire-end ferrules box for 4,0 – 16 mm² **2885.0** 35
 Wire-end ferrule empty box **2887.0** 35

Z
 ZES 15 BG **3812.2** 29
 ZES 35 BG **3748.2** 29
 ZES 35 GR **3748.6** 29
 ZES 35/2 BG **3811.2** 29
 ZES 35/2 GR **3811.6** 29

Notes

A large grid of dotted lines for taking notes, covering the majority of the page.

Types and catalogue numbers, numeric

Cat. no.	Type	Page	Cat. no.	Type	Page	Cat. no.	Type	Page
1			2272.0	H 25,0/36 BN	30	2761.0	HES 35/ST	29
1059.0	H 0,75/14-T BU	31	2276.0	H 35,0/30 BG	30	2772.0	ISKS 6	49
1069.0	H 2,5/14-T GR	31	2278.0	SDIK 1,0x80	48	2773.0	ISKS 8	49
1074.0	Stripfix	47	2279.0	SDIK 2,0x100	48	2775.0	HZL/0,75-D GR	33
1081.0	SDI 0,4x2,5	48	2289.0	SDK 1,0x80	48	2776.0	HZL/1,0-D RD	33
1082.0	SDI 0,6x3,5	48	2290.0	SDK 2,0x100	48	2777.0	HZL/1,5-D BK	33
1083.0	SDI 1,0x5,5	48	2303.0	TSTW/M 6	26	2786.0	H 70,0/37 YE	30
1084.0	SDI 1,2x6,5	48	2304.0	BS M 6x12/IS	26, 27	2787.0	H 95,0/44 RD	30
1085.0	SDB 0,5x3,0	48	2388.0	H 6,0/15	34	2788.0	H 120,0/50 BU	30
1086.0	SDB 0,6x3,5	48	2389.0	H 10,0/15	34	2789.0	H 150,0/54 YE	30
1087.0	SDB 0,8x4,0	48	2390.0	H 35,0/39 BG	30	2790.0	H 70,0/25	34
1088.0	SDB 1,2x6,5	48	2391.0	H 16,0/12	34	2791.0	H 95,0/32	34
1089.0	H 2,5/24-T GR	31	2392.0	H 16,0/15	34	2792.0	H 120,0/32	34
1100.0	PZU 6	50	2393.0	H 16,0/18	34	2793.0	H 150,0/32	34
1424.2	ES 32/35 BG	29	2394.0	H 25,0/15	34	2794.0	HZL/0,5-D WH	33
1465.0	PZU 16	50	2395.0	H 25,0/18	34	2795.0	HZL/0,75 HL-D GR	33
1466.0	PZU 35	50	2396.0	H 35,0/18	34	2796.0	HZL/1,0 HL-D RD	33
1468.0	PZI 6	51	2397.0	H 0,5/12 OG	30	2797.0	HZL/1,5 HL-D BK	33
1470.0	PZN 10	51	2398.0	H 0,75/12 WH	30	2798.0	HZL/2,5 HL-D BU	32, 33
1474.0	PZ RG	51	2399.0	H 1,0/12 YE	30	2799.0	HZL/4,0-D GR	32, 33
2			2400.0	H 1,5/16 RD	30	2800.0	HZL/6,0-D YE	33
2004.2	ES 32 BG	28	2406.0	SI 5x20 1,000A- F	55	2801.0	HZL/10,0-D RD	33
2005.2	ES 35 BG	28	2407.0	SI 5x20 2,000A- F	55	2802.0	HZL/16,0-D BU	33
2005.6	ES 35 GR	28	2408.0	SI 5x20 4,000A- F	55	2814.0	H 1,5/18 RD	30
2025.0	TS 32 UGL	27	2409.0	SI 5x20 6,300A- F	55	2816.0	H 50,0/32	34
2026.0	TS 35x7,5 UGL	24	2414.0	TSTW/M 5	26	2818.0	ISKS 5	49
2027.0	TS 35x15 UGL	24	2415.0	BS M 5x8/IS	26, 27	2825.2	ES 32/2/K BG	28
2038.0	TS 35x15/2,3 UGL	25	2500.0	H 50,0/36 OL	30	2826.2	ES 35/2/K BG	28
2039.0	TS 35x15/2,3 GL	25	2510.0	H 16,0/28-T IV	31	2827.0	ES 32/K/ST BG	28
2041.0	H 4,0/18-T OG	31	2511.0	H 25,0/30-T BK	31	2828.0	ES 35/K/ST BG	28
2073.0	H 4,0/26-T OG	31	2534.0	QKS 1	36	2828.6	ES 35/K/ST GR	28
2074.2	ES 15 BG	29	2535.0	QKS 1	36	2840.0	H 1,0/18-D RD	31
2074.6	ES 15 GR	29	2536.0	QKS 1	36	2841.0	H 1,5/14-D BK	31
2091.0	TS 15 UGL	26	2537.0	QKS 2,5	36	2842.0	H 1,5/16-D BK	31
2092.0	TS 15 GL	26	2538.0	QKS 2,5	36	2843.0	H 1,5/18-D BK	31
2093.0	TS 32 GL	27	2539.0	QKS 2,5	36	2844.0	H 1,5/24-D BK	31
2094.0	TS 35x7,5 GL	24	2540.0	QKS 2,5	36	2845.0	H 2,5/14-D BU	30, 31
2095.0	TS 35x15 GL	24	2541.0	QKS 6	36	2846.0	H 2,5/18-D BU	30, 31
2130.0	H 6,0/20-T GN	31	2542.0	QKS 6, yellow	36	2847.0	H 2,5/24-D BU	30, 31
2133.0	H 6,0/26-T GN	31	2543.0	QKS 6	36	2848.0	H 4,0/18-D GR	30, 31
2134.0	H 10,0/22-T BN	31	2544.0	QKS 6, yellow	36	2849.0	H 4,0/20-D GR	30, 31
2144.0	H 10,0/28-T BN	31	2545.0	SKS 1	37	2850.0	H 4,0/26-D GR	30, 31
2145.0	H 16,0/22-T IV	31	2546.0	SKS 2,5	37	2851.0	H 6,0/20-D YE	31
2201.0	H 0,5/14 OG	30	2547.0	SKS 6	37	2852.0	H 6,0/26-D YE	31
2202.0	H 0,75/14 WH	30	2548.0	FSH 1/2,8	38	2853.0	H 10,0/22-D RD	31
2203.0	H 1,0/14 YE	30	2549.0	FSH 1/2,8	38	2854.0	H 10,0/28-D RD	31
2204.0	H 1,5/14 RD	30	2550.0	FSH 1/6,3	38	2855.0	H 16,0/24-D BU	31
2205.0	H 1,5/24 RD	30	2551.0	FSH 2,5/6,3	38	2856.0	H 16,0/28-D BU	31
2210.0	H 6,0/20 BK	30	2552.0	FSH 6/6,3	38	2857.0	H 25,0/30-D YE	31
2211.0	H 6,0/26 BK	30	2553.0	FSH 1	38	2858.0	H 25,0/36-D YE	31
2212.0	H 10,0/22 IV	30	2554.0	FSH 2,5	38	2859.0	H 35,0/30-D RD	31
2213.0	H 10,0/28 IV	30	2555.0	FSH A 1	38	2860.0	H 35,0/39-D RD	31
2214.0	H 16,0/22 GN	30	2556.0	FSH A 2,5	38	2861.0	H 50,0/36-D BU	31
2215.0	H 16,0/28 GN	30	2557.0	FST 1/2,8	39	2863.0	H 0,5/12-D WH	31
2216.0	H 0,5/6	34	2558.0	FST 1/6,3	39	2864.0	H 0,5/14-D WH	31
2217.0	H 0,75/6	34	2559.0	FST 2,5/6,3	39	2865.0	H 0,5/16-D WH	31
2218.0	H 0,75/10	34	2560.0	FST 6/6,3	39	2866.0	H 0,75/12-D GR	31
2219.0	H 1,0/6	34	2563.0	TSTW/F/M 6	26	2867.0	H 0,75/14-D GR	31
2220.0	H 1,0/10	34	2564.0	TSTW/F/M 5	27	2868.0	H 0,75/16-D GR	31
2221.0	H 1,5/7	34	2620.0	H 0,25/10 LB	30	2869.0	H 0,75/18-D GR	31
2222.0	H 1,5/10	34	2621.0	H 0,25/12 LB	30	2870.0	H 1,0/12-D RD	31
2223.0	H 2,5/7	34	2622.0	H 0,34/10 CY	30	2871.0	H 1,0/14-D RD	31
2224.0	H 2,5/12	34	2623.0	H 0,34/12 CY	30	2872.0	H 1,0/16-D RD	31
2225.0	H 4,0/9	34	2704.0	TS 35x7,5 GL (6,2x18 mm)	24			
2226.0	H 4,0/12	34	2710.0	TS 35x7,5 ALU UGL	25			
2227.0	H 6,0/12	34	2711.0	TS 15 ALU UGL	26			
2228.0	H 10,0/12	34	2736.0	TST/M 5	27			
2229.0	H 10,0/18	34	2737.0	TST/M 6	27			
2267.0	H 25,0/30 BN	30	2760.0	HES 32/ST	29			

Cat. no.	Type	Page	Cat. no.	Type	Page	Cat. no.	Type	Page
2884.0	Wire-end ferrules box for 0,5 – 2,5 mm ²	35	3013.0	HZL 1,5 HL RD	32	3114.0	H 70,0/32	34
2885.0	Wire-end ferrules box for 4,0 – 16 mm ²	35	3014.0	HZL 1,5 L RD	32	3115.0	H 95,0/25	34
2887.0	Wire-end ferrule empty box	35	3020.0	HZL 6,0 BK	32	3116.0	H 0,5/16 OG	30
2891.0	SI 5x20 0,032A- F	55	3021.0	HZL 6,0 L BK	32	3117.0	H 0,75/16 WH	30
2892.0	SI 5x20 0,040A- F	55	3022.0	HZL 10,0 IV	32	3118.0	H 0,75/18 WH	30
2893.0	SI 5x20 0,050A- F	55	3023.0	HZL 10,0 L IV	32	3119.0	H 1,0/16 YE	30
2894.0	SI 5x20 0,063A- F	55	3024.0	HZL 16,0 GN	32	3120.0	H 1,0/18 YE	30
2895.0	SI 5x20 0,080A- F	55	3025.0	HZL 16,0 L GN	32	3121.0	H 35,0/32-D RD	31
2896.0	SI 5x20 0,100A- F	55	3026.0	H 10,0/22-D SR IV	32	3122.0	H 50,0/41-D BU	31
2897.0	SI 5x20 0,125A- F	55	3029.0	HZL 0,75-T LB	33	3123.0	H 0,25/10-T VT	31
2898.0	SI 5x20 0,160A- F	55	3030.0	HZL 0,75 HL-T LB	33	3124.0	H 0,25/12-T YE	31
2899.0	SI 5x20 0,200A- F	55	3031.0	HZL 0,75 L-T LB	33	3125.0	H 0,34/10-T PI	31
2900.0	SI 5x20 0,250A- F	55	3038.0	HZL 2,5-T GR	33	3126.0	H 0,34/12-T PI	31
2901.0	SI 5x20 0,315A- F	55	3039.0	HZL 2,5 HL-T GR	33	3127.0	H 0,75/12-T BU	31
2902.0	SI 5x20 0,400A- F	55	3040.0	HZL 2,5 L-T GR	33	3128.0	H 0,75/16-T BU	31
2903.0	SI 5x20 0,500A- F	55	3041.0	HZL 4,0-T OG	33	3129.0	H 0,75/18-T BU	31
2904.0	SI 5x20 0,630A- F	55	3042.0	HZL 4,0 L-T OG	33	3130.0	H 2,5/18-T GR	31
2905.0	SI 5x20 0,800A- F	55	3043.0	HZL 6,0-T GN	33	3131.0	H 4,0/20-T OG	31
2906.0	SI 5x20 1,250A- F	55	3044.0	HZL 6,0 L-T GN	33	3132.0	H 25,0/36-T BK	31
2907.0	SI 5x20 1,600A- F	55	3045.0	HZL 10,0-T BN	33	3135.0	PZD 3	50
2908.0	SI 5x20 2,500A- F	55	3046.0	HZL 10,0 L-T BN	33	3164.0	SDB 0,4x2,0	48
2909.0	SI 5x20 3,150A- F	55	3047.0	HZL 16,0-T WH	33	3166.0	Stripfix-V	47
2910.0	SI 5x20 8,000A- F	55	3048.0	HZL 16,0 L-T WH	33	3167.0	Stripfix-16	47
2911.0	SI 5x20 10,000A- F	55	3055.0	PZU 6/S	50	3168.0	HB-Stripfix	47
2912.0	SI 5x20 0,032A-T	54	3057.0	PZU 25	50	3169.0	SDB 0,4x2,5	48
2913.0	SI 5x20 0,040A-T	54	3064.0	QKS G 1	36	3194.0	H 4,0/20-D SR GR	32
2914.0	SI 5x20 0,050A-T	54	3065.0	QKS G 1	36	3196.2	STD-TS/LED(GN) GR	52
2915.0	SI 5x20 0,063A-T	54	3066.0	QKS G 1	36	3321.7	MC GS 8/17 R t WH	52
2916.0	SI 5x20 0,080A-T	54	3067.0	QKS G 2,5	36	3748.2	ZES 35 BG	29
2917.0	SI 5x20 0,100A-T	54	3068.0	QKS G 2,5	36	3748.6	ZES 35 GR	29
2918.0	SI 5x20 0,125A-T	54	3069.0	QKS G 2,5	36	3811.2	ZES 35/2 BG	29
2919.0	SI 5x20 0,160A-T	54	3070.0	QKS G 6	36	3811.6	ZES 35/2 GR	29
2920.0	SI 5x20 0,200A-T	54	3071.0	QKS G 6	36	3812.2	ZES 15 BG	29
2921.0	SI 5x20 0,250A-T	54	3072.0	QKS G 6	36	3894.0	TS-PSS 2	23
2922.0	SI 5x20 0,315A-T	54	3073.0	QKS G 6	36	3895.0	TS-PS eco	23
2923.0	SI 5x20 0,400A-T	54	3074.0	STV 1	37	3897.2	VK-S 125 + HF	14
2924.0	SI 5x20 0,500A-T	54	3075.0	STV 2,5	37	3898.0	SMSST/L 12x6,4 mm	23
2925.0	SI 5x20 0,630A-T	54	3076.0	STV 6, yellow	37	3898.1	SMSST/Q 12x6,4 mm	23
2926.0	SI 5x20 0,800A-T	54	3077.0	H 0,5/8 AWG OG	32	3898.2	SMSST/R 5,5 mm	23
2927.0	SI 5x20 1,000A-T	54	3078.0	H 0,75/8 AWG WH	32	3898.3	SMSST/R 6,0 mm	23
2928.0	SI 5x20 1,250A-T	54	3079.0	H 1,0/8 AWG YE	32			
2929.0	SI 5x20 1,600A-T	54	3080.0	H 1,5/8 AWG RD	32			
2930.0	SI 5x20 2,000A-T	54	3081.0	H 2,5/14-D SR BU	32, 33	4		
2931.0	SI 5x20 2,500A-T	54				4140.2	S/M 12x1,5 GR	17
2932.0	SI 5x20 3,150A-T	54	3082.0	H 1,5/17,5 KS BK	32	4140.4	S/M 12x1,5 BK	17
2933.0	SI 5x20 4,000A-T	54	3083.0	H 1,5/19,5 KS BK	32	4141.2	S/M 16x1,5 GR	17
2934.0	SI 5x20 5,000A-T	54	3084.0	H 2,5/17,5 KS BU	32	4141.4	S/M 16x1,5 BK	17
2935.0	SI 5x20 6,300A-T	54	3085.0	H 2,5/21,5 KS BU	32	4142.2	S/M 20x1,5 GR	17
2936.0	SI 5x20 8,000A-T	54	3086.0	H 4,0/19,5 KS GR	32	4142.4	S/M 20x1,5 BK	17
2937.0	SI 5x20 10,000A-T	54	3086.6	H 4,0/19,5 KS GR	32	4143.2	S/M 25x1,5 GR	17
2937.0	SI 5x20 10,000A-T	54	3087.0	H 6,0/23 KS YE	32	4143.4	S/M 25x1,5 BK	17
2938.0	SI 5x20 5,000A- F	55	3088.0	H 10,0/24 KS RD	32	4144.2	S/M 32x1,5 GR	17
2993.0	HZL 0,5 HL-D WH	33	3089.0	H 16,0/25,5 KS BU	32	4144.4	S/M 32x1,5 BK	17
2994.0	HZL 0,5 L-D WH	33	3090.0	H 0,5/8-D AWG WH	33	4145.2	S/M 40x1,5 GR	17
2995.0	HZL 0,75 L-D GR	33	3091.0	H 0,75/14 AWG GR	33	4145.4	S/M 40x1,5 BK	17
2996.0	HZL 1,0 L-D RD	33	3092.0	H 1,0/8-D AWG RD	33	4146.2	S/M 50x1,5 GR	17
2997.0	HZL 1,5 L-D BK	33	3093.0	H 1,5/8-D AWG BK	33	4146.4	S/M 50x1,5 BK	17
2998.0	HZL 2,5 L-D BU	32, 33	3094.0	H 0,75/8-T AWG LB	33	4147.2	S/M 63x1,5 GR	17
2999.0	HZL 4,0 L-D GR	32, 33	3095.0	H 2,5/14 SR GR	33	4147.4	S/M 63x1,5 BK	17
			3096.0	H 0,25/5	34	4148.2	SN/M20	18
			3097.0	H 0,5/10	34	4149.2	SN/M25	18
			3098.0	H 1,5/12	34	4150.2	SN/M32	18
			3099.0	H 1,5/18	34	4151.2	SN/M40	18
3			3100.0	H 2,5/10	34	4160.2	DM/M16	18
3000.0	HZL 6,0 L-D YE	33	3101.0	H 2,5/18	34	4161.2	DM/M20	18
3001.0	HZL 10,0 L-D RD	33	3102.0	H 4,0/15	34	4162.2	DM/M25	18
3002.0	HZL 16,0 L-D BU	33	3103.0	H 4,0/18	34	4163.2	DM/M32	18
3003.0	HZL 0,5 OG	32	3105.0	H 6,0/18	34	4164.2	VS/M 16	18
3004.0	HZL 0,5 HL OG	32	3106.0	H 16,0/25	34	4165.2	VS/M 20	18
3005.0	HZL 0,5 L OG	32	3107.0	H 16,0/32	34	4166.2	VS/M 25	18
3006.0	HZL 0,75 WH	32	3108.0	H 25,0/25	34	4167.2	VS/M 32	18
3007.0	HZL 0,75 HL WH	32	3109.0	H 25,0/32	34	4168.2	VS/M 40	18
3008.0	HZL 0,75 L WH	32	3110.0	H 35,0/25	34	4169.2	KV/M 12x1,5-MS	19
3009.0	HZL 1,0 YE	32	3111.0	H 35,0/32	34	4170.2	KV/M 16x1,5-MS	19
3010.0	HZL 1,0 HL YE	32	3112.0	H 50,0/18	34	4171.2	KV/M 20x1,5-MS	19
3011.0	HZL 1,0 L YE	32	3113.0	H 50,0/25	34	4172.2	KV/M 25x1,5-MS	19
3012.0	HZL 1,5 RD	32						

Cat. no.	Type	Page	Cat. no.	Type	Page	Cat. no.	Type	Page
4173.2	KV/M 32x1,5-MS	19	4529.2	KVC/PG 16	21	4960.0	SI 6,3x32 1,000A-T	56
4174.2	KV/M 40x1,5-MS	19	4530.2	KVC/PG 21	21	4961.0	SI 6,3x32 1,250A-T	56
4175.2	KV/M 50x1,5-MS	19	4531.2	KVC/PG 29	21	4962.0	SI 6,3x32 1,600A-T	56
4176.2	KV/M 63x1,5-MS	19	4532.2	KVC/PG 36	21	4963.0	SI 6,3x32 2,000A-T	56
4177.2	KV/M 75x1,5-MS	19	4533.2	KVC/PG 42	21	4964.0	SI 6,3x32 2,500A-T	56
4178.2	V/M 12x1,5 MS	19	4534.2	KVC/PG 48	21	4965.0	SI 6,3x32 3,150A-T	56
4179.2	V/M 16x1,5 MS	19	4535.2	KV/PG 7-MS	22	4966.0	SI 6,3x32 4,000A-T	56
4180.2	V/M 20x1,5 MS	19	4535.6	V/PG 7-MS	22	4967.0	SI 6,3x32 5,000A-T	56
4181.2	V/M 25x1,5 MS	19	4535.8	S/PG 7-MS	22	4968.0	SI 6,3x32 6,300A-T	56
4182.2	V/M 32x1,5 MS	19	4536.2	KV/PG 9-MS	22	4969.0	SI 6,3x32 8,000A-T	56
4183.2	V/M 40x1,5 MS	19	4536.6	V/PG 9-MS	22	4970.0	SI 6,3x32 10,000A-T	56
4184.2	V/M 50x1,5 MS	19	4536.8	S/PG 9-MS	22	4971.0	SI 6,3x32 0,160A-F	57
4185.2	V/M 63x1,5 MS	19	4537.2	KV/PG 11-MS	22	4972.0	SI 6,3x32 0,200A-F	57
4186.2	S/M 12x1,5-MS	19	4537.6	V/PG 11-MS	22	4973.0	SI 6,3x32 0,250A-F	57
4187.2	S/M 16x1,5-MS	19	4537.8	S/PG 11-MS	22	4974.0	SI 6,3x32 0,315A-F	57
4188.2	S/M 20x1,5-MS	19	4538.2	KV/PG 13,5-MS	22	4975.0	SI 6,3x32 0,400A-F	57
4189.2	S/M 25x1,5-MS	19	4538.6	V/PG 13,5-MS	22	4976.0	SI 6,3x32 0,500A-F	57
4190.2	S/M 32x1,5-MS	19	4538.8	S/PG 13,5-MS	22	4977.0	SI 6,3x32 0,630A-F	57
4191.2	S/M 40x1,5-MS	19	4539.2	KV/PG 16-MS	22	4978.0	SI 6,3x32 0,800A-F	57
4192.2	S/M 50x1,5-MS	19	4539.6	V/PG 16-MS	22	4979.0	SI 6,3x32 1,000A-F	57
4193.2	S/M 63x1,5-MS	19	4539.8	S/PG 16-MS	22	4980.0	SI 6,3x32 1,250A-F	57
4515.0	S/PG 7 BK	21	4540.2	KV/PG 21-MS	22	4981.0	SI 6,3x32 1,600A-F	57
4515.2	KV/PG 7	21	4540.6	V/PG 21-MS	22	4982.0	SI 6,3x32 2,000A-F	57
4515.4	KV/PG 7 BK	21	4540.8	S/PG 21-MS	22	4983.0	SI 6,3x32 2,500A-F	57
4515.6	V/PG 7	21	4541.2	KV/PG 29-MS	22	4984.0	SI 6,3x32 3,150A-F	57
4515.8	S/PG 7	21	4541.6	V/PG 29-MS	22	4985.0	SI 6,3x32 4,000A-F	57
4516.0	S/PG 9 BK	21	4541.8	S/PG 29-MS	22	4986.0	SI 6,3x32 5,000A-F	57
4516.2	KV/PG 9	21	4542.2	KV/PG 36-MS	22	4987.0	SI 6,3x32 6,300A-F	57
4516.4	KV/PG 9 BK	21	4542.6	V/PG 36-MS	22	4988.0	SI 6,3x32 8,000A-F	57
4516.6	V/PG 9	21	4542.8	S/PG 36-MS	22	4989.0	SI 6,3x32 10,000A-F	57
4516.8	S/PG 9	21	4543.2	KV/PG 42-MS	22	4991.0	SI C 1,000 A/32V	57
4517.0	S/PG 11 BK	21	4543.6	V/PG 42-MS	22	4992.0	SI C 2,000 A/32V	57
4517.2	KV/PG 11	21	4543.8	S/PG 42-MS	22	4993.0	SI C 3,000 A/32V	57
4517.4	KV/PG 11 BK	21	4544.2	KV/PG 48-MS	22	4994.0	SI C 4,000 A/32V	57
4517.6	V/PG 11	21	4544.6	V/PG 48-MS	22	4995.0	SI C 5,000 A/32V	57
4517.8	S/PG 11	21	4544.8	S/PG 48-MS	22	4996.0	SI C 7,500 A/32V	57
4518.0	S/PG 13,5 BK	21	4561.0	TS 35x15 Steel UGL/galvanized	25	4997.0	SI C 10,000 A/32V	57
4518.2	KV/PG 13,5	21	4562.0	TS 35x7,5 Steel UGL/galvanized	25	4998.0	SI C 15,000 A/32V	57
4518.4	KV/PG 13,5 BK	21	4563.0	TS 35x7,5 Steel GL/galvanized	25	4999.0	SI C 20,000 A/32V	57
4518.6	V/PG 13,5	21	4564.0	TS 35x15 Steel GL/galvanized	25			
4518.8	S/PG 13,5	21	4566.0	TS 35x15 GL (6,2x18 mm)	24			
4519.0	S/PG 16 BK	21	4573.2	KV/M 12x1,5 GR	16	17250.2	SES 35 BG	29
4519.2	KV/PG 16	21	4573.4	KV/M 12x1,5 BK	16	17250.4	SES 35 BK	29
4519.4	KV/PG 16 BK	21	4574.2	KV/M 16x1,5 GR	16	17250.6	SES 35 GR	29
4519.6	V/PG 16	21	4574.4	KV/M 16x1,5 BK	16	17259.2	SHES 35 BG	29
4519.8	S/PG 16	21	4575.2	KV/M 20x1,5 GR	16	17500.4	KV/Mex-e 16x1,5 BK	16
4520.0	S/PG 21 BK	21	4575.4	KV/M 20x1,5 BK	16	17500.5	KV/Mex-i 16x1,5 BU	16
4520.2	KV/PG 21	21	4576.2	KV/M 25x1,5 GR	16	17501.4	KV/Mex-e 20 x 1,5 BK	16
4520.4	KV/PG 21 BK	21	4576.4	KV/M 25x1,5 BK	16	17501.5	KV/Mex-i 20 x 1,5 BU	16
4520.6	V/PG 21	21	4577.2	KV/M 32x1,5 GR	16	17502.4	KV/Mex-e 25 x 1,5 BK	16
4520.8	S/PG 21	21	4577.4	KV/M 32x1,5 BK	16	17502.5	KV/Mex-i 25 x 1,5 BU	16
4521.0	S/PG 29 BK	21	4578.2	KV/M 40x1,5 GR	16	17503.4	KV/Mex-e 32 x 1,5 BK	16
4521.2	KV/PG 29	21	4578.4	KV/M 40x1,5 BK	16	17503.5	KV/Mex-i 32 x 1,5 BU	16
4521.4	KV/PG 29 BK	21	4579.2	KV/M 50x1,5 GR	16	17504.4	KV/Mex-e 40 x 1,5 BK	16
4521.6	V/PG 29	21	4579.4	KV/M 50x1,5 BK	16	17504.5	KV/Mex-i 40 x 1,5 BU	16
4521.8	S/PG 29	21	4580.2	KV/M 63x1,5 GR	16	17505.4	KV/Mex-e 50 x 1,5 BK	16
4522.0	S/PG 36 BK	21	4580.4	KV/M 63x1,5 BK	16	17505.5	KV/Mex-i 50 x 1,5 BU	16
4522.2	KV/PG 36	21	4589.2	V/M 12x1,5 GR	18	17506.4	KV/Mex-e 63 x 1,5 BK	16
4522.4	KV/PG 36 BK	21	4590.2	V/M 16x1,5 GR	18	17506.5	KV/Mex-i 63 x 1,5 BU	16
4522.6	V/PG 36	21	4591.2	V/M 20x1,5 GR	18	17599.2	KV/M-L 12x1,5 GR	16
4522.8	S/PG 36	21	4592.2	V/M 25x1,5 GR	18	17600.2	KV/M-L 16x1,5 GR	16
4523.0	S/PG 42 BK	21	4593.2	V/M 32x1,5 GR	18	17601.2	KV/M-L 20x1,5 GR	16
4523.2	KV/PG 42	21	4594.2	V/M 40x1,5 GR	18	17602.2	KV/M-L 25x1,5 GR	16
4523.4	KV/PG 42 BK	21	4595.2	V/M 50x1,5 GR	18	17603.2	KV/M-L 32x1,5 GR	16
4523.6	V/PG 42	21	4596.2	V/M 63x1,5 GR	18	17604.2	KV/M-L 40x1,5 GR	16
4523.8	S/PG 42	21	4950.0	SI 6,3x32 0,100A-T	56	17605.2	KV/M-L 50x1,5 GR	16
4524.0	S/PG 48 BK	21	4951.0	SI 6,3x32 0,125A-T	56	17606.2	KV/M-L 63x1,5 GR	16
4524.2	KV/PG 48	21	4952.0	SI 6,3x32 0,160A-T	56	17607.2	VEM 12/16	17
4524.4	KV/PG 48 BK	21	4953.0	SI 6,3x32 0,200A-T	56	17608.2	VEM 16/20	17
4524.6	V/PG 48	21	4954.0	SI 6,3x32 0,250A-T	56	17609.2	VEM 20/25	17
4524.8	S/PG 48	21	4955.0	SI 6,3x32 0,315A-T	56	17610.2	VEM 25/32	17
4525.2	KVC/PG 7	21	4956.0	SI 6,3x32 0,400A-T	56	17611.2	VEM 32/40	17
4526.2	KVC/PG 9	21	4957.0	SI 6,3x32 0,500A-T	56	17612.2	VEM 40/50	17
4527.2	KVC/PG 11	21	4958.0	SI 6,3x32 0,630A-T	56	17613.2	VEM 50/63	17
4528.2	KVC/PG 13,5	21	4959.0	SI 6,3x32 0,800A-T	56	17614.2	VRM 16/12	17

17

Cat. no.	Type	Page	Cat. no.	Type	Page	Cat. no.	Type	Page
17615.2	VRM 20/12	17	17718.2	VRM-MS 63/40	18	17843.6	VK-HF 60x40 LG	11
17616.2	VRM 20/16	17	17719.2	VRM-MS 63/50	18	17844.6	VK-HF 25x60 LG	11
17617.2	VRM 25/12	17	17720.2	VEE-MS 12-05	19	17845.6	VK-HF 40x60 LG	11
17618.2	VRM 25/16	17	17721.2	VEE-MS 16-07	19	17846.6	VK-HF 60x60 LG	11
17619.2	VRM 25/20	17	17722.2	VEE-MS 18-09	19	17847.6	VK-HF 80x60 LG	11
17620.2	VRM 32/16	17	17723.2	VEE-MS 24-16	19	17850.6	VK-HF 25x80 LG	11
17621.2	VRM 32/20	17	17724.2	VEE-MS 36-20	19	17851.6	VK-HF 40x80 LG	11
17622.2	VRM 32/25	17	17725.2	VEE-MS 36-26	19	17852.6	VK-HF 60x80 LG	11
17623.2	VRM 40/20	17	17726.2	VEE-MS 45-33	19	17853.6	VK-HF 80x80 LG	11
17624.2	VRM 40/25	17	17727.2	VEE-MS 56-45	19	17857.6	VK-HF 40x100 LG	11
17625.2	VRM 40/32	17	17728.2	S/M 12-MS/EMV	19	17858.6	VK-HF 60x100 LG	11
17626.2	VRM 50/25	17	17729.2	S/M 16-MS/EMV	19	17860.6	VK-HF 100x100 LG	11
17627.2	VRM 50/32	17	17730.2	S/M 20-MS/EMV	19	17870.6	VK-HF-D 25 LG	11
17628.2	VRM 50/40	17	17731.2	S/M 25-MS/EMV	19	17871.6	VK-HF-D 30 LG	11
17629.2	VRM 63/32	17	17732.2	S/M 32-MS/EMV	19	17872.6	VK-HF-D 40 LG	11
17630.2	VRM 63/40	17	17733.2	S/M 40-MS/EMV	19	17873.6	VK-HF-D 60 LG	11
17631.2	VRM 63/50	17	17734.2	S/M 50-MS/EMV	19	17874.6	VK-HF-D 80 LG	11
17632.4	FDM 12 BK	18	17735.2	S/M 63-MS/EMV	19	17875.6	VK-HF-D 100 LG	11
17632.6	FDM 12 GR	18	17737.2	S/M 75x1,5-MS	19	17880.6	VK-FLEX-HF 10x10 GR	12
17633.4	FDM 16 BK	18	17760.4	D/M 12 BK	20	17881.6	VK-FLEX-HF 10x20 GR	12
17633.6	FDM 16 GR	18	17761.4	D/M 16 BK	20	17882.6	VK-FLEX-HF 10x30 GR	12
17634.4	FDM 20 BK	18	17762.4	D/M 20 BK	20	17883.6	VK-FLEX-HF 10x40 GR	12
17634.6	FDM 20 GR	18	17763.4	D/M 25 BK	20	17890.6	VK-DH GR	12
17635.4	FDM 25 BK	18	17764.4	D/M 32 BK	20	17892.6	VK-DTH GR	13
17635.6	FDM 25 GR	18	17765.4	D/M 40 BK	20	17894.0	VK-AKZ	14
17636.4	FDM 32 BK	18	17766.4	D/M 50 BK	20	17895.0	SN-SW	14
17636.6	FDM 32 GR	18	17767.4	D/M 63 BK	20	17896.4	SN-PA 3,5 BK	13
17637.4	FDM 40 BK	18	17780.4	VSG/Mex 12 BK	20	17897.4	SN-PA 5 BK	13
17637.6	FDM 40 GR	18	17781.4	VSG/Mex 16 BK	20	17898.4	SN-PA 6 BK	13
17638.4	FDM 50 BK	18	17782.4	VSG/Mex 20 BK	20	17899.6	SN-PA 6,5 GR	13
17638.6	FDM 50 GR	18	17783.4	VSG/Mex 25 BK	20	17951.4	VK-DHG-40 BK	12
17639.4	VRDE 12 BK	20	17784.4	VSG/Mex 32 BK	20	17952.4	VK-DHG-60 BK	12
17640.4	VRDE 16 BK	20	17785.4	VSG/Mex 40 BK	20	17953.4	VK-DHG-80 BK	12
17641.4	VRDE 20 BK	20	17786.4	VSG/Mex 50 BK	20	17954.4	VK-DHKB BK	12
17642.4	VRDE 25 BK	20	17787.4	VSG/Mex 63 BK	20	17955.4	VK-DH2 BK	12
17643.4	VRDE 32 BK	20	17788.4	VSG/Mex 75 BK	20	17956.0	VK-SS 3 transp,	12
17644.4	VRDE 40 BK	20	17790.2	VMN 12x1,5	20	17957.0	VK-SS 12 transp,	12
17645.4	VRDE 50 BK	20	17791.2	VMN 16x1,5	20	17958.0	VK-SS 20 transp,	12
17646.4	VRDE 63 BK	20	17792.2	VMN 20x1,5	20			
17647.4	VMD 12/04/020 BK	20	17793.2	VMN 25x1,5	20			
17648.4	VMD 16/02/040 BK	20	17794.2	VMN 32x1,5	20			
17649.4	VMD 20/02/060 BK	20	17795.2	VMN 40x1,5	20			
17650.4	VMD 20/02/065 BK	20	17796.2	VMN 50x1,5	20			
17651.4	VMD 20/03/040 BK	20	17797.2	VMN 63x1,5	20			
17652.4	VMD 25/01/065 BK	20	17800.6	VK 25x30 GR	9	28781.7	KDS/KES-VS 2 WH	20
17653.4	VMD 25/02/060 BK	20	17801.6	VK 25x40 GR	9	28782.7	KDS/KES-VS 3 WH	20
17654.4	VMD 25/02/070 BK	20	17802.6	VK 40x40 GR	9	28783.7	KDS/KES-VS 4 WH	20
17655.4	VMD 25/02/080 BK	20	17803.6	VK 60x40 GR	9	28784.7	KDS/KES-VS 5 WH	20
17656.4	VMD 25/03/070 BK	20	17804.6	VK 25x60 GR	9	28785.7	KDS/KES-VS 6 WH	20
17657.4	VMD 25/04/060 BK	20	17805.6	VK 40x60 GR	9	28786.7	KDS/KES-VS 7 WH	20
17658.4	VMD 32/04/070 BK	20	17806.6	VK 60x60 GR	9	28787.7	KDS/KES-VS 8 WH	20
17659.4	VMD 32/04/080 BK	20	17807.6	VK 80x60 GR	9	28788.7	KDS/KES-VS 9 WH	20
17660.4	VMD 32/06/060 BK	20	17808.6	VK 100x60 GR	9	28789.7	KDS/KES-VS 10 WH	20
17661.4	VMD 40/07/070 BK	20	17809.6	VK 120x60 GR	9	28790.7	KDS/KES-VS 11 WH	20
17662.4	VMD 40/07/080 BK	20	17810.6	VK 25x80 GR	9	28791.7	KDS/KES-VS 12 WH	20
17663.4	VMD 40/08/060 BK	20	17811.6	VK 40x80 GR	9	28792.7	KDS/KES-VS 13 WH	20
17664.4	VMD 50/09/080 BK	20	17812.6	VK 60x80 GR	9	28793.7	KDS/KES-VS 14 WH	20
17700.2	VEM-MS 12/16	19	17813.6	VK 80x80 GR	9	28794.7	KDS/KES-VS 15 WH	20
17701.2	VEM-MS 16/20	19	17814.6	VK 100x80 GR	9	28795.7	KDS/KES-VS 16 WH	20
17702.2	VEM-MS 20/25	19	17815.6	VK 120x80 GR	9	28796.7	KDS/KES-VS 17 WH	20
17703.2	VEM-MS 25/32	19	17816.6	VK 25x100 GR	9	28797.7	KDS/KES-VS 22 WH	20
17704.2	VEM-MS 32/40	19	17817.6	VK 40x100 GR	9			
17705.2	VEM-MS 40/50	19	17818.6	VK 60x100 GR	9			
17706.2	VEM-MS 50/63	19	17819.6	VK 80x100 GR	9			
17707.2	VRM-MS 16/12	18	17820.6	VK 100x100 GR	9			
17708.2	VRM-MS 20/12	18	17821.6	VK 150x100 GR	9			
17709.2	VRM-MS 20/16	18	17830.6	VK-D 25 GR	9	30800.0	STV 0,5/HS	37
17710.2	VRM-MS 25/16	18	17832.6	VK-D 40 GR	9	30801.0	STV 1/HS	37
17711.2	VRM-MS 25/20	18	17833.6	VK-D 60 GR	9	30802.0	STV 2,5/HS	37
17712.2	VRM-MS 32/20	18	17834.6	VK-D 80 GR	9	30803.0	STV 6/HS	37
17713.2	VRM-MS 32/25	18	17835.6	VK-D 100 GR	9	30804.0	QKS 1/U/M2,5	40
17714.2	VRM-MS 40/25	18	17836.6	VK-D 120 GR	9	30805.0	QKS 1/U/M3	40
17715.2	VRM-MS 40/32	18	17837.6	VK-D 150 GR	9	30806.0	QKS 1/U/M3,5	40
17716.2	VRM-MS 50/32	18	17840.6	VK-HF 30x30 LG	11	30807.0	QKS 1/U/M4	40
17717.2	VRM-MS 50/40	18	17841.6	VK-HF 25x40 LG	11	30808.0	QKS 1/U/M5	40
						30809.0	QKS 1/U/M6	40
						30810.0	QKS 1/U/M8	40
						30811.0	QKS 2,5/U/M3	40
						30812.0	QKS 2,5/U/M3,5	40
						30813.0	QKS 2,5/U/M4	40
						30814.0	QKS 2,5/U/M5	40
						30815.0	QKS 2,5/U/M6	40

28

30

Cat. no.	Type	Page	Cat. no.	Type	Page	Cat. no.	Type	Page
30816.0	QKS 2,5/U/M8	40	30891.0	STV 1/U	41	30968.0	RKS 150/U/M14	42
30817.0	QKS 2,5/U/M10	40	30892.0	STV 1/U/L	41	30969.0	RKS 150/U/M16	42
30818.0	QKS 6/U/M4	40	30893.0	STV 2,5/U	41	30970.0	RKS 150/U/M20	42
30819.0	QKS 6/U/M5	40	30894.0	STV 2,5/U/L	41	30971.0	RKS 185/U/M10	42
30820.0	QKS 6/U/M6	40	30895.0	STV 4/U	41	30972.0	RKS 185/U/M12	42
30821.0	QKS 6/U/M8	40	30896.0	STV 4/U/L	41	30973.0	RKS 185/U/M14	42
30822.0	QKS 6/U/M10	40	30897.0	STV 6/U	41	30974.0	RKS 185/U/M16	42
30823.0	QKS 6/U/M12	40	30898.0	STV 10/U	41	30975.0	RKS 185/U/M20	42
30824.0	QKS 10/U/M5	40	30899.0	STV 16/U	41	30976.0	RKS 240/U/M10	43
30825.0	QKS 10/U/M6	40	30900.0	STV 25/U	41	30977.0	RKS 240/U/M12	43
30826.0	QKS 10/U/M8	40	30901.0	STV 35/U	41	30978.0	RKS 240/U/M14	43
30827.0	QKS 10/U/M10	40	30902.0	STV 50/U	41	30979.0	RKS 240/U/M16	43
30828.0	QKS 10/U/M12	40	30903.0	STV 70/U	41	30980.0	RKS 240/U/M20	43
30829.0	QKS 16/U/M5	40	30904.0	STV 95/U	41	30981.0	RKS 300/U/M10	43
30830.0	QKS 16/U/M6	40	30905.0	STV 120/U	41	30982.0	RKS 300/U/M12	43
30831.0	QKS 16/U/M8	40	30906.0	STV 150/U	41	30983.0	RKS 300/U/M14	43
30832.0	QKS 16/U/M10	40	30907.0	STV 185/U	41	30984.0	RKS 300/U/M16	43
30833.0	QKS 16/U/M12	40	30908.0	STV 240/U	41	30985.0	RKS 300/U/M20	43
30834.0	QKS 25/U/M5	40	30909.0	STV 300/U	41	30986.0	FSH 2,5/4,8	38
30835.0	QKS 25/U/M6	40	30910.0	RKS 6/U/M4	42	30987.0	FSH 4-6	38
30836.0	QKS 25/U/M8	40	30911.0	RKS 6/U/M5	42	30988.0	FSH A 6	38
30837.0	QKS 25/U/M10	40	30912.0	RKS 6/U/M6	42	30989.0	FST 1/2,8	39
30838.0	QKS 25/U/M12	40	30913.0	RKS 6/U/M8	42			
30839.0	QKS 25/U/M14	40	30914.0	RKS 6/U/M10	42			
30840.0	QKS 25/U/M16	40	30915.0	RKS 6/U/M12	42			
30841.0	QKS 35/U/M6	40	30916.0	RKS 10/U/M4	42			
30842.0	QKS 35/U/M8	40	30917.0	RKS 10/U/M5	42			
30843.0	QKS 35/U/M10	40	30918.0	RKS 10/U/M6	42			
30844.0	QKS 35/U/M12	40	30919.0	RKS 10/U/M8	42			
30845.0	QKS 35/U/M14	40	30920.0	RKS 10/U/M10	42			
30846.0	QKS 35/U/M16	40	30921.0	RKS 10/U/M12	42			
30847.0	QKS 50/U/M6	40	30922.0	RKS 16/U/M5	42			
30848.0	QKS 50/U/M8	40	30923.0	RKS 16/U/M6	42			
30849.0	QKS 50/U/M10	40	30924.0	RKS 16/U/M8	42			
30850.0	QKS 50/U/M12	40	30925.0	RKS 16/U/M10	42			
30851.0	QKS 50/U/M14	40	30926.0	RKS 16/U/M12	42			
30852.0	QKS 50/U/M16	40	30927.0	RKS 25/U/M5	42			
30853.0	QKS 70/U/M6	40	30928.0	RKS 25/U/M6	42			
30854.0	QKS 70/U/M8	40	30929.0	RKS 25/U/M8	42			
30855.0	QKS 70/U/M10	40	30930.0	RKS 25/U/M10	42			
30856.0	QKS 70/U/M12	40	30931.0	RKS 25/U/M12	42			
30857.0	QKS 70/U/M14	40	30932.0	RKS 25/U/M14	42			
30858.0	QKS 70/U/M16	40	30933.0	RKS 35/U/M6	42			
30859.0	QKS 95/U/M8	40	30934.0	RKS 35/U/M8	42			
30860.0	QKS 95/U/M10	40	30935.0	RKS 35/U/M10	42			
30861.0	QKS 95/U/M12	40	30936.0	RKS 35/U/M12	42			
30862.0	QKS 95/U/M14	40	30937.0	RKS 35/U/M14	42			
30863.0	QKS 95/U/M16	40	30938.0	RKS 35/U/M16	42			
30864.0	QKS 120/U/M8	40	30939.0	RKS 50/U/M6	42			
30865.0	QKS 120/U/M10	40	30940.0	RKS 50/U/M8	42			
30866.0	QKS 120/U/M12	40	30941.0	RKS 50/U/M10	42			
30867.0	QKS 120/U/M14	40	30942.0	RKS 50/U/M12	42			
30868.0	QKS 120/U/M16	40	30943.0	RKS 50/U/M14	42			
30869.0	QKS 150/U/M10	40	30944.0	RKS 50/U/M16	42			
30870.0	QKS 150/U/M12	40	30945.0	RKS 50/U/M20	42			
30871.0	QKS 150/U/M14	41	30946.0	RKS 70/U/M6	42			
30872.0	QKS 150/U/M16	41	30947.0	RKS 70/U/M8	42			
30873.0	QKS 185/U/M10	41	30948.0	RKS 70/U/M10	42			
30874.0	QKS 185/U/M12	41	30949.0	RKS 70/U/M12	42			
30875.0	QKS 185/U/M14	41	30950.0	RKS 70/U/M14	42			
30876.0	QKS 185/U/M16	41	30951.0	RKS 70/U/M16	42			
30877.0	QKS 240/U/M10	41	30953.0	RKS 95/U/M8	42			
30878.0	QKS 240/U/M12	41	30954.0	RKS 95/U/M10	42			
30879.0	QKS 240/U/M14	41	30955.0	RKS 95/U/M12	42			
30880.0	QKS 240/U/M16	41	30956.0	RKS 95/U/M14	42			
30881.0	SKS 1/U	41	30958.0	RKS 95/U/M20	42			
30882.0	SKS 2,5/U	41	30959.0	RKS 120/U/M8	42			
30883.0	SKS 6/U	41	30960.0	RKS 120/U/M10	42			
30884.0	SKS 10/U	41	30961.0	RKS 120/U/M12	42			
30885.0	SKS 16/U	41	30962.0	RKS 120/U/M14	42			
30886.0	SKS 25/U	41	30963.0	RKS 120/U/M16	42			
30887.0	SKS 35/U	41	30964.0	RKS 120/U/M20	42			
30888.0	SKS 50/U	41	30965.0	RKS 150/U/M8	42			
30889.0	SKS 70/U	41	30966.0	RKS 150/U/M10	42			
30890.0	SKS 95/U	41	30967.0	RKS 150/U/M12	42			

32

32006.0	QKS G 1/6,4	36
32007.0	QKS G 0,5/3,5	36

Notes

A large grid of dotted lines for taking notes, covering most of the page.

Notes

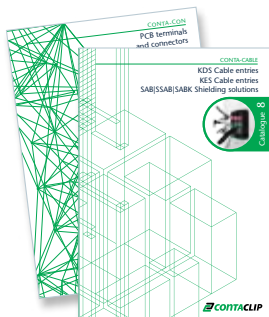
A large grid of dotted lines for taking notes, consisting of approximately 30 columns and 40 rows of small squares.



Otto-Hahn-Str. 7
D-33161 Hövelhof,
Germany

Phone +49 (0) 5257 9833-0
Fax +49 (0) 5257 9833-33

info@conta-clip.com
www.conta-clip.com



Our products for your challenges:

01 CONTA-CONNECT
Terminal blocks
with push-in connection system
Cat. no. 98070.2

02 CONTA-CONNECT
Terminal blocks with screw connection
system and special purpose terminals
Cat. no. 98071.2

03 CONTA-CONNECT
Terminal blocks with tension-spring
connection system
Cat. no. 98072.2

04 CONTA-CONNECT
Installation materials and
other accessories for terminal blocks
Cat. no. 98073.2

05 CONTA-LABEL
Marking components
for thermal-transfer marking systems
Cat. no. 98074.2

06 CONTA-LABEL
Marking components
for ink-based marking systems
Cat. no. 98075.2

07 CONTA-BOX
Housings
Cat. no. 98076.2

08 CONTA-CABLE
KDS cable entries, KES cable entries,
SAB|SSAB|SABK shielding solutions
Cat. no. 98077.2

09 CONTA-ELECTRONICS
Electrical and electronic
cabinet components
Cat. no. 98078.2

10 CONTA-CON
PCB terminals and connectors
Cat. no. 98079.2