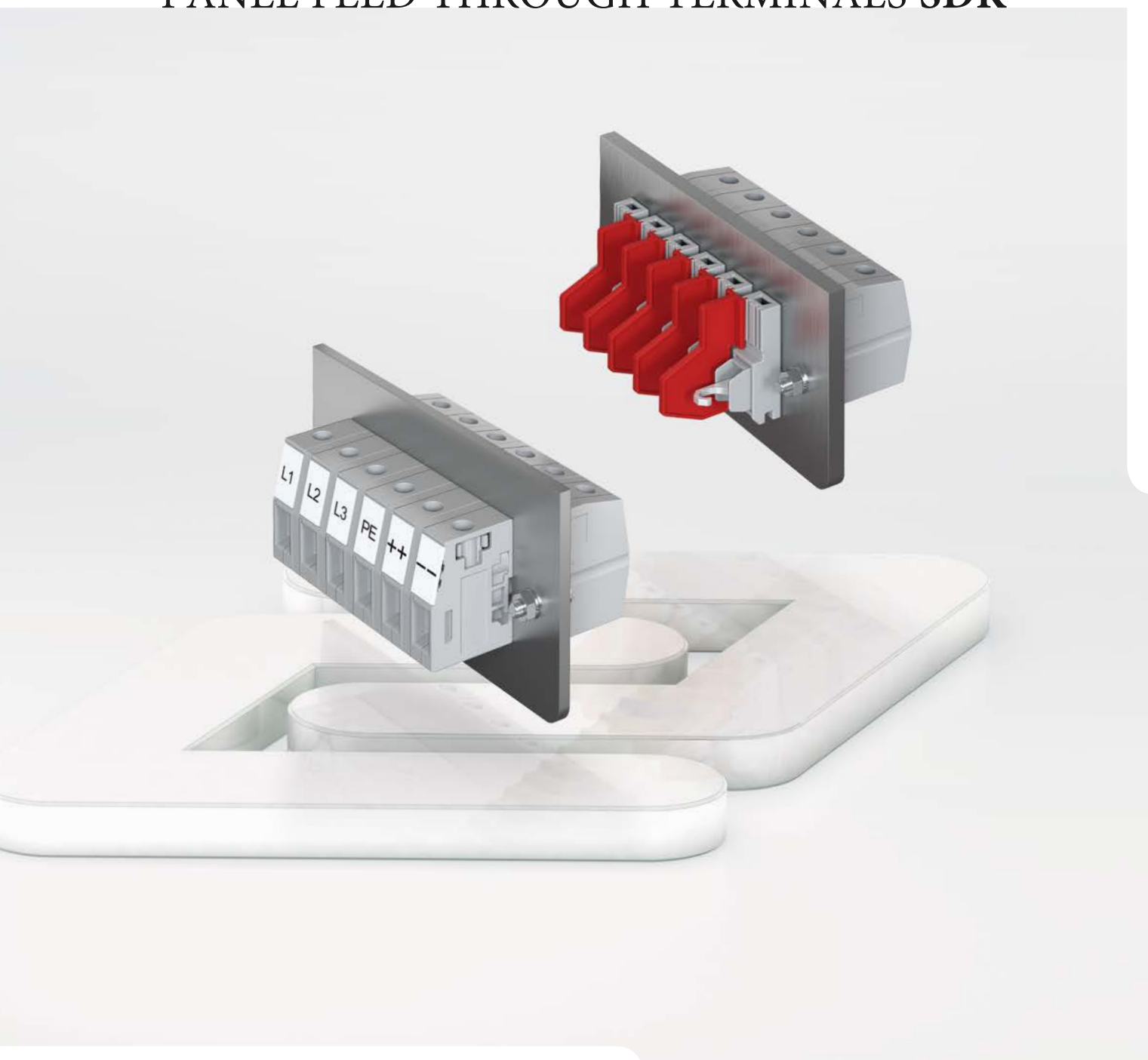




DYNAMIC
Measurement & Control Solutions, LLC

PANEL FEED THROUGH TERMINALS SDK



PRODUCT INFORMATION

Dynamic Measurement & Control Solutions

www.dynamicrep.com

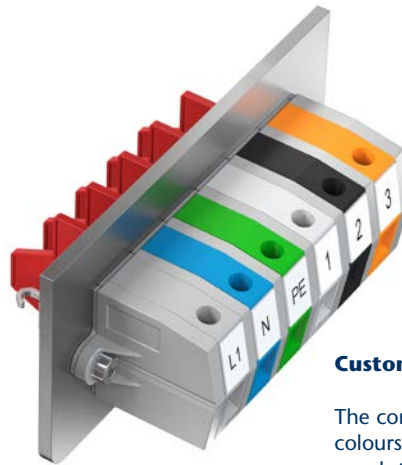
sales@dynamicrep.com

408-780-9190

Feed-through terminals SDK

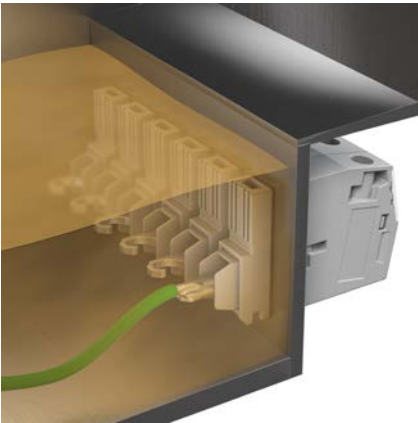
CONTA-CLIP's **SDKs** feed-through terminals provide a modular-based system for various device and housing applications. The coordinated system components can be combined to achieve various voltages – with a maximum voltage level of 1000 V (UL 600 V).

The insulated housing is made of polyamide 6.6 UL 94 V-0. The pegs can be used to link the housings together to form multi-pole units. Optional flange plates are available for improved mechanical stability. The **PMC SB** or **PMC BSTR** tags can be used to label the feed-through terminals.



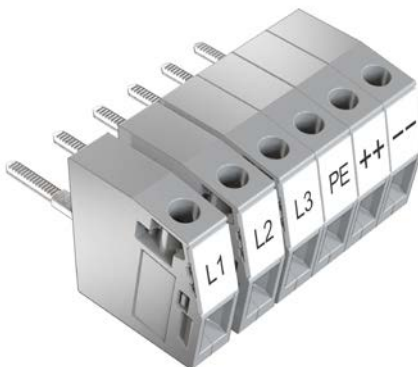
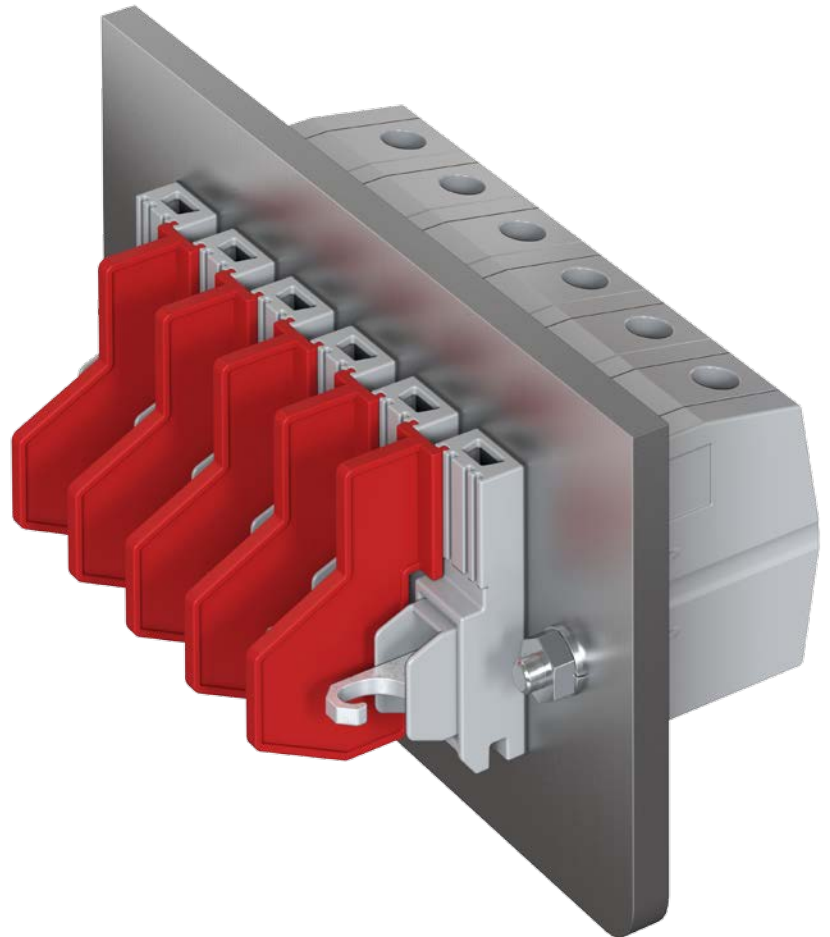
Custom colours

The complete series is available in customized colours on request. The standard feed-through terminals are delivered in grey.



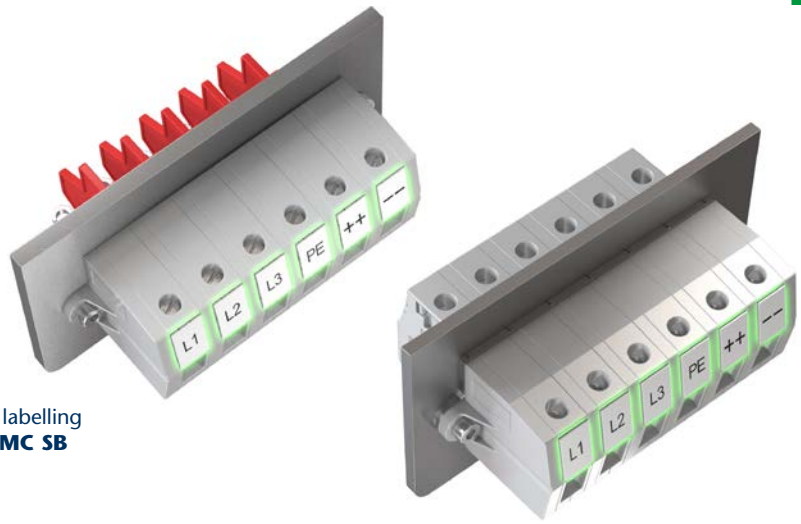
High efficiency

The encapsulation of electrical components results in increased heat dissipation and improved electrical characteristics. The screw-solder variant of the **SDK** feed-through terminal is designed for the requirements of encapsulated devices. This variant provides the optimal seal for each application.



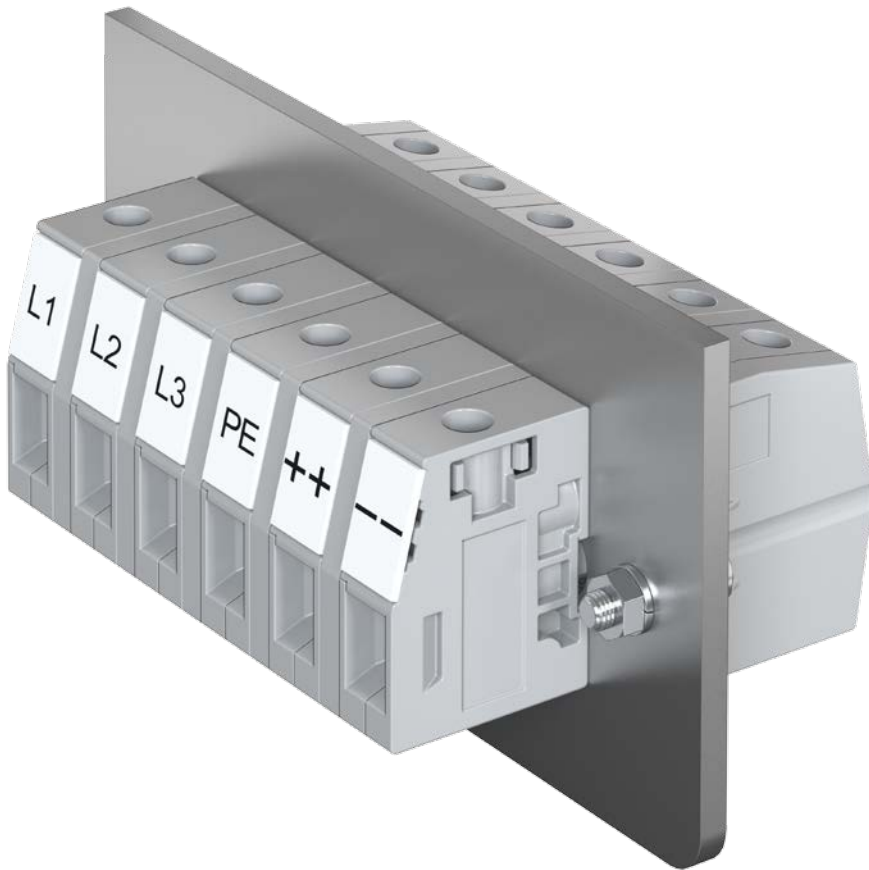
Convenient to align side-by-side

The housing pegs can be used to easily and quickly configure customized block variants.



Practical marking options

The feed-through terminals feature a labelling channel that can be used to attach **PMC SB** and **PMC BSTR** tags.



Secure attachment

The additional attachment options ensure maximum stability for use in applications with high mechanical stress loads.



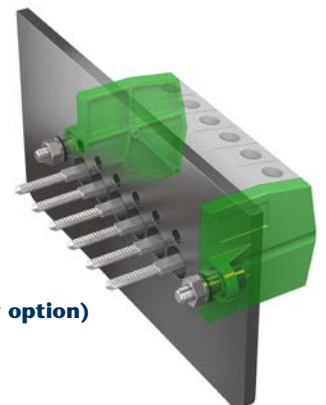
Screw attachment is possible within the housing



Riveting is possible within the housing

A comprehensive line of accessories

When using cross-sections ranging from 0.2 to 25 mm² and contamination degree 3 the optional use of partition, spacer and adapter plates enables you to achieve a rated voltage of 1000 V according to IEC or 600 V according to UL.



Housing flange (screw option) outside of the housing

Feed-through terminals SDK

Screw connection system

SDK ../2A without accessories

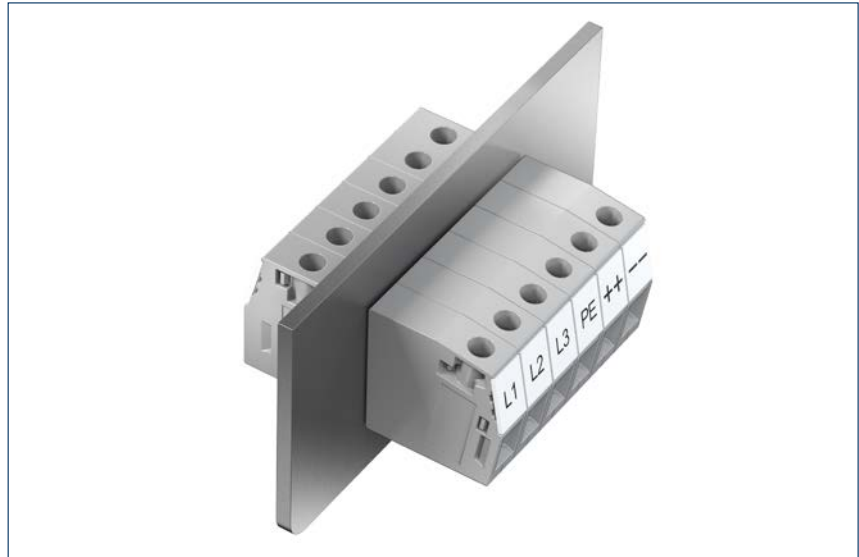
These rated specifications are achieved in accordance with IEC 60947-7-1 | UL | CSA without any additional accessories.

Ratings IEC 60947-7-1

Rated voltage, V	630		
Rated current, A, SDK 4 10 16	32	57	76
Contamination degree	3		
Thickness of panel, mm, SDK 4 10 16	1-4	1-4	1-6

Ratings UL / CSA

Rated voltage, V	300		
Rated current, A, SDK 4 10 16	30	65	85
Use group	B, D		
Thickness of panel, mm, SDK 4 10 16	1-4	1-4	1-6



SDK ../2A with spacer plates

These rated specifications are achieved in accordance with IEC 60947-7-1 | UL | CSA when used with spacer plates.

Ratings IEC 60947-7-1

Rated voltage, V	800		
Rated current, A, SDK 4 10 16	32	57	76
Contamination degree	3		
Thickness of panel, mm, SDK 4 10 16	1-4	1-4	1-6

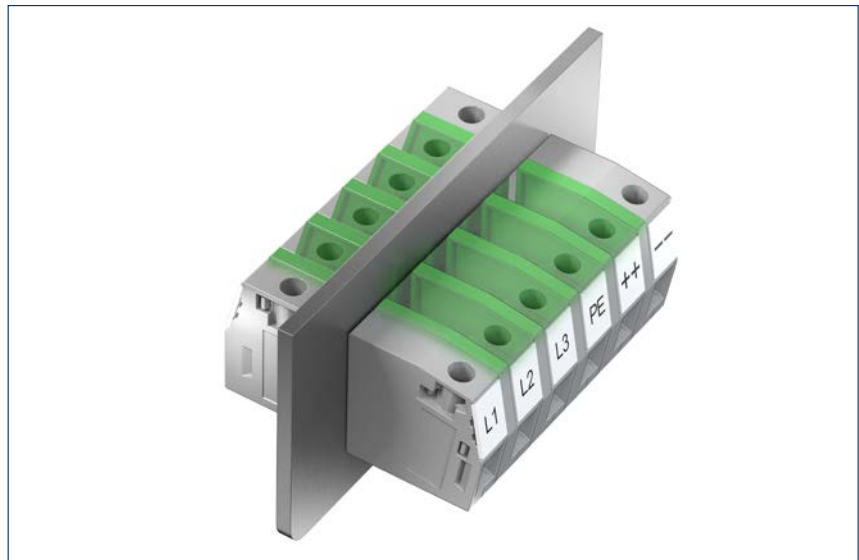
Ratings UL / CSA

Rated voltage, V	600		
Rated current, A, SDK 4 10 16	5	5	5
Use group	D		
Thickness of panel, mm, SDK 4 10 16	1-4	1-4	1-6

Ratings UL / CSA

Rated voltage, V	300		
Rated current, A, SDK 4 10 16	30	65	85
Use group	C		
Thickness of panel, mm, SDK 4 10 16	1-4	1-4	1-6

--	--	--	--



SDK ../2A with spacer plates and adapter plates

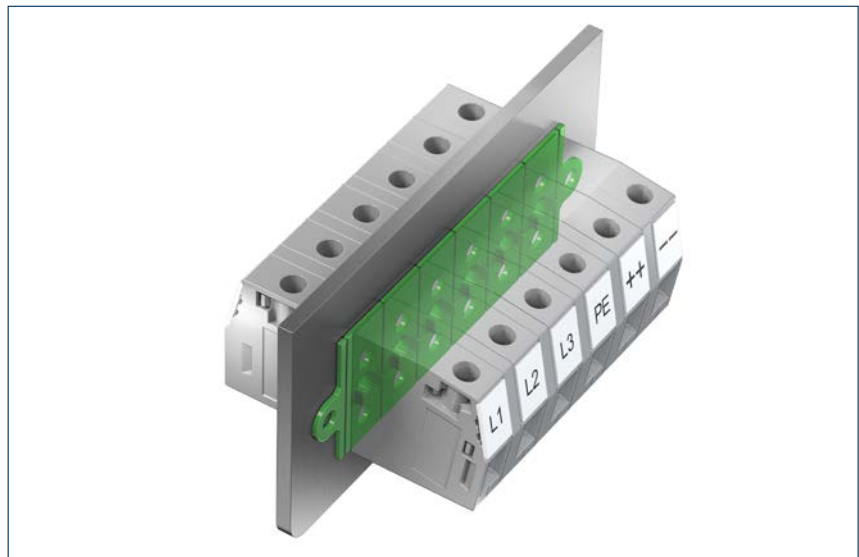
These rated specifications are achieved in accordance with IEC 60947-7-1 | UL | CSA when used with spacer plates and adapter plates.

Ratings IEC 60947-7-1

Rated voltage, V	1000		
Rated current, A, SDK 4 10 16	32	57	76
Contamination degree	3		
Thickness of panel, mm, SDK 4 10 16	1-3	1-3	1-5

Ratings UL / CSA

Rated voltage, V	600		
Rated current, A, SDK 4 10 16	30	65	85
Use group	C		
Thickness of panel, mm	1-3	1-3	1-5



Screw/solder connection system

SDK .../1A/1L (1B) without accessories

These rated specifications are achieved in accordance with IEC 60947-7-1 | UL | CSA without any additional accessories or encapsulation compound.

Ratings IEC 60947-7-1

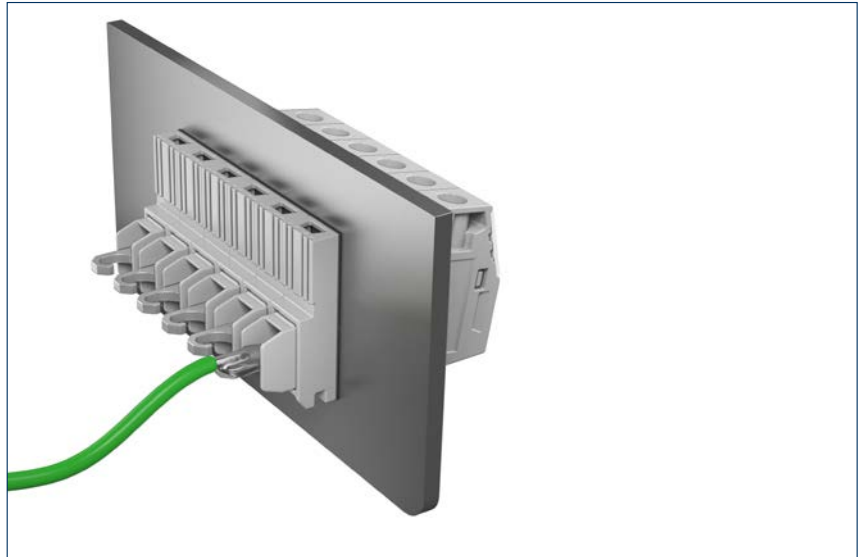
Rated voltage, V, SDK 4 10 16	250 320 400
Rated current, A, SDK 4 10 16	32 57 76
Contamination degree	3
Thickness of panel, mm, SDK 4 10 16	1-4 1-4 1-6

Ratings UL / CSA

Rated voltage, V	300
Rated current, A, SDK 4 10 16	30 65 85
Use group	B
Thickness of panel, mm, SDK 4 10 16	1-4 1-4 1-6

Ratings UL / CSA

Rated voltage, V	300
Rated current, A, SDK 4 10 16	10 10 10
Use group	D
Thickness of panel, mm, SDK 4 10 16	1-4 1-4 1-6



SDK .../1A/1L (1B) with inner partition plates

SDK .../1A/1L (1B) with encapsulation compound

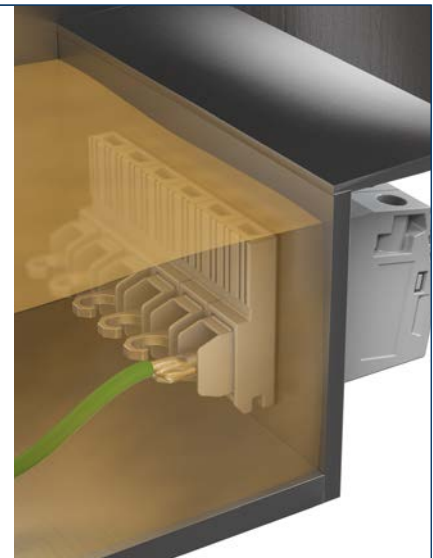
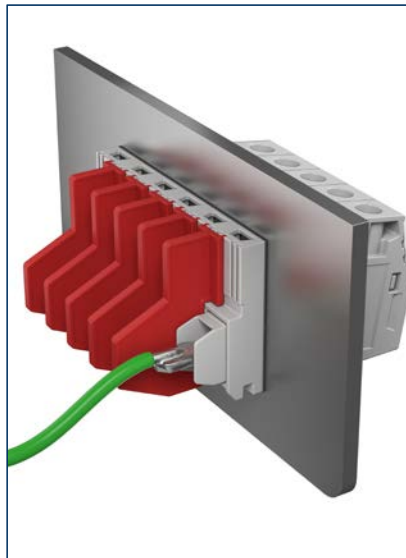
These rated specifications are achieved in accordance with IEC 60947-7-1 | UL | CSA when used with the inner partition plates or with the encapsulation compound without the partition.

Ratings IEC 60947-7-1

Rated voltage, V	630
Rated current, A, SDK 4 10 16	32 57 76
Contamination degree	3
Thickness of panel, mm, SDK 4 10 16	1-4 1-4 1-6

Ratings UL / CSA

Rated voltage, V	600
Rated current, A, SDK 4 10 16	5 5 5
Use group	D
Thickness of panel, mm, SDK 4 10 16	1-4 1-4 1-6



SDK .../1A/1L (1B) with inner partition plates and spacer plates

SDK .../1A/1L (1B) with encapsulation compound and spacer plates

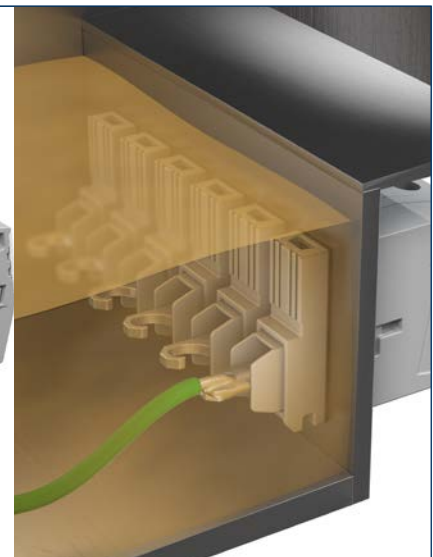
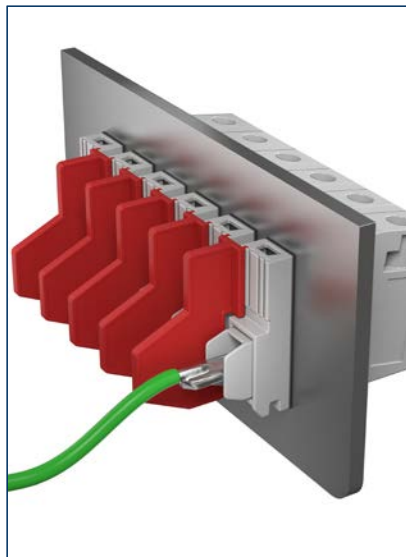
These rated specifications are achieved in accordance with IEC 60947-7-1 | UL | CSA when used with partition plates and the spacer plates or when used with encapsulation compound and the spacer plate.

Ratings IEC 60947-7-1

Rated voltage, V	1000
Rated current, A, SDK 4 10 16	32 57 76
Contamination degree	3
Thickness of panel, mm, SDK 4 10 16	1-4 1-4 1-6

Ratings UL / CSA

Rated voltage, V	600
Rated current, A, SDK 4 10 16	30 65 85
Use group	C
Thickness of panel, mm, SDK 4 10 16	1-4 1-4 1-6



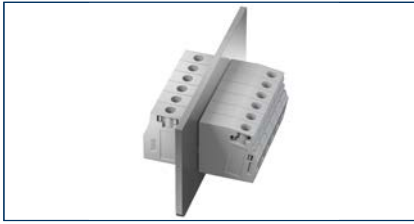
Feed-through terminals SDK 4

Screw connection system

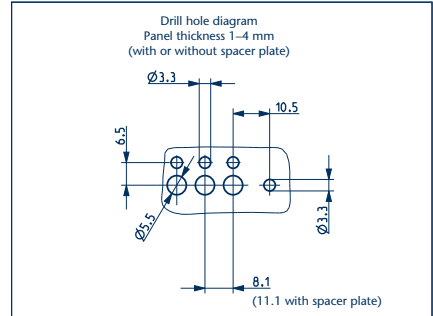
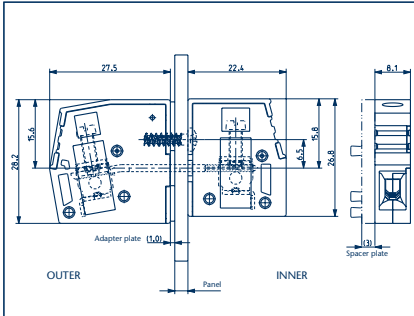


- Housing made from polyamide 6.6 UL 94 V-0

SDK 4/2A



Diagrams



Scope of delivery SDK 4/2A

Inner part, outer part, inner mounting screw

Connection type

Size (L x W x H), mm: Outer section
Size (L x W x H), mm: Inner section

Type

Type / colour

Cat. no.

Type / colour (with housing pegs)

Cat. no.

Colour variants

Ratings IEC 60947-7-1

Rated voltage, V

Rated current, A | Max. current capacity, A

Rated cross-section, mm²

Contamination degree

Thickness of panel, mm

Rated surge voltage, kV

Plug gauge acc. to EN 60 947-1 | Flamm. class acc. to UL 94

Ratings UL / CSA

Rated voltage, V

Rated current, A

Rated cross-section, AWG

Use group

Thickness of panel, mm

Screw connection

27.5 x 8.1 x 28.2

22.4 x 8.1 x 26.8

Qty.

SDK 4/2A GR 50

17380.6

SDK 4/2A/Z GR 50

17381.6

630 800* 1000**

32 | 41 32 | 41 32 | 41

4 4 4

3 3 3

1-4 1-4 1-3**

6 6 6

A4 | V0 A4 | V0 A4 | V0

300 300* 600* 600**

30 | 10 30 5 30

26-10 26-10 26-10 26-10

B | D C D C

1-4 1-4 1-4 1-3**

Connection data

Single wire (solid) | Stranded (flexible) mm²

Finely-stranded|Finely-stranded (w/ferrules: DIN 46 228/1), mm²

Clamping area, mm²

Stripping length, mm

Torque, Nm | Screw

0.2 – 6 | -

0.2 – 6 | 0.2 – 4

0.2 – 6

10 mm

0.5 – 1 | slotted M3

Features

Material of insulated housing | Temperature range

PA 6.6 UL 94 V-0

-40 bis +120°C

Accessories

Set: spacer plate inside + outside

Cat. no.

Set: outer flange plate

Cat. no.

Outer 6-pole adapter plate

Cat. no.

Outer spacer plate

Cat. no.

Inner partition plate, solder connection

Cat. no.

Perforated foam seal

Cat. no.

Inner moulding plate

Cat. no.

Inner mounting screw

Cat. no.

Screwdriver SDB

Cat. no.

Quick marking PMC SB

Cat. no.

SDK 4-DP GR 50

17431.6

SDK 4-FP GR (use an M3x8 screw) 50

17432.6

SDK 4-AP/6 GR 10

17433.6

BS-SDK4 3x10 100

17438.6

SDB 0.6 x 3.5 1

1086.0

PMC BSTR 8x12/21 WH 210

9410.7

* When using spacer plates and mounting on a conductive housing panel

** When using spacer plates and adapter plates, and when mounting on a conductive housing panel

Screw/solder connection system

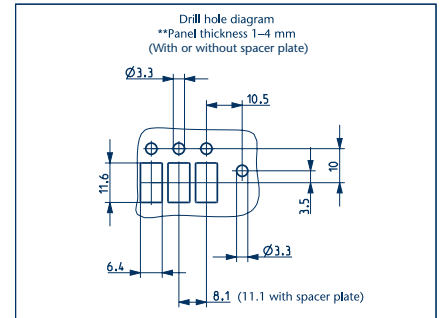
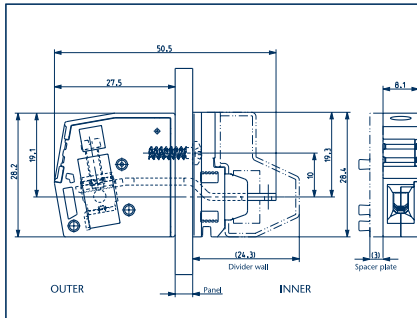


- Housing made from polyamide 6.6 UL 94 V-0

SDK 4/1A/1L



Diagrams



Scope of delivery SDK 4/1A/1L

Inner part, outer part, inner mounting screw and perforated foam seal

Connection type

Size (L x W x H), mm: Outer section
Size (L x W x H), mm: Inner section

Screw-solder connection

27.5 x 8.1 x 28.2
7.3 x 8.1 x 28.4

Type	Qty.
Type / colour	
Cat. no.	
Type / colour (with housing pegs)	
Cat. no.	
Colour variants	
Ratings IEC 60947-7-1	
Rated voltage, V	250* 630** 1000***
Rated current, A Max. current capacity, A	32 41 32 41 32 41
Rated cross-section, mm ²	4 4 4
Contamination degree	3 3 3
Thickness of panel, mm	1-4 1-4 1-4
Rated surge voltage, kV	6 6 6
Plug gauge acc. to EN 60 947-1 Flamm. class acc. to UL 94	A4 V0 A4 V0 A4 V0
Ratings UL / CSA	
Rated voltage, V	300* 600** 600***
Rated current, A	30 10 5 30
Rated cross-section, AWG	26-10 26-10 26-10
Use group	B D D C
Thickness of panel, mm	1-4 1-4 1-4
Connection data	
Single wire (solid) Stranded (flexible) mm ²	0.2 – 6 -
Finely-stranded Finely-stranded (w/ferrules: DIN 46 228/1), mm ²	0.2 – 4 0.2 – 4
Clamping area, mm ²	0.2 – 6
Stripping length, mm	10 mm
Torque, Nm Screw	0.5 – 1 slotted M3
Features	
Material of insulated housing Temperature range	PA 6.6 UL 94 V-0 -40 to +120°C
Accessories	
Set: spacer plate inside + outside	
Cat. no.	
Set: outer flange plate	SDK 4-FP GR (use an M3x8 screw)
Cat. no.	17432.6 50
Outer 6-pole adapter plate	
Cat. no.	
Outer spacer plate	SDK 4-DPA GR
Cat. no.	17434.6 50
Inner partition plate, solder connection	SDK 4-TWI RD
Cat. no.	17435.9 50
Perforated foam seal	SDK 4-SPI/10 DG
Cat. no.	17436.4 10
Inner moulding plate	SDK 4-VPI GR
Cat. no.	17437.6
Inner mounting screw	BS-SDK4 3x10
Cat. no.	17438.6 100
Screwdriver SDB	SDB 0.6 x 3.5
Cat. no.	1086.0 1
Quick marking PMC SB	PMC BSTR 8x12/21 WH
Cat. no.	9410.7 210

* Without spacer plates, without encapsulation compound or without partition plates

** When used without outer spacer plates, and when mounted on a conductive housing panel with use of encapsulation compound or inner partition plates

*** When used with outer spacer plates, and when mounted on a conductive housing panel with use of encapsulation compound or inner partition plates

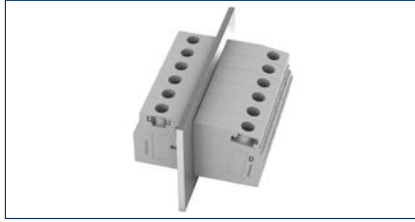
Feed-through terminals SDK 10

Screw connection system

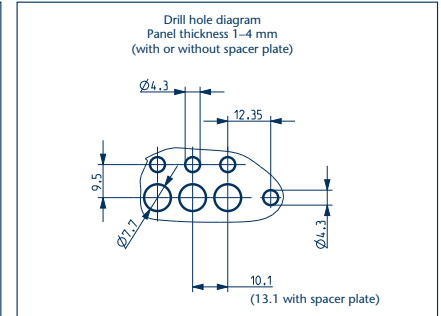
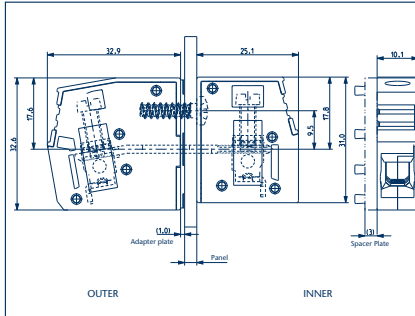


- Housing made from polyamide 6.6 UL 94 V-0

SDK 10/2A



Diagrams



Scope of delivery SDK 10/2A

Inner part, outer part, inner mounting screw

Connection type

Size (L x W x H), mm: Outer section
Size (L x W x H), mm: Inner section

Type

Type / colour

Cat. no.

Type / colour (with housing pegs)

Cat. no.

Colour variants

Ratings IEC 60947-7-1

Rated voltage, V

Rated current, A | Max. current capacity, A

Rated cross-section, mm²

Contamination degree

Thickness of panel, mm

Rated surge voltage, kV

Plug gauge acc. to EN 60 947-1 | Flamm. class acc. to UL 94

Ratings UL / CSA

Rated voltage, V

Rated current, A

Rated cross-section, AWG

Use group

Thickness of panel, mm

Screw connection

32,9 x 10,1 x 32,6
25,1 x 10,1 x 31,0

Qty.

SDK 10/2A GR

17386.6

50

SDK 10/2A/Z GR

17387.6

50

630 800* 1000**

57 | 76 57 | 76 57 | 76

10 10 10

3 3 3

1-4 1-4 1-3**

6 6 6

A6 | V0 A6 | V0 A6 | V0

300 300* 600* 600**

65 | 10 65 5 65

20-6 20-6 20-6 20-6

B | D C D C

1-4 1-4 1-4 1-3**

Connection data

Single wire (solid) | Stranded (flexible) mm²

Finely-stranded|Finely-stranded (w/ferrules: DIN 46 228/1), mm²

Clamping area, mm²

Stripping length, mm

Torque, Nm | Screw

0,2-16 | 0,2-16

0,2-16 | 0,2-10

0,2-16

12 mm

1,2-2,4 | slotted M4

Features

Material of insulated housing | Temperature range

PA 6.6 UL 94 V-0
-40 bis +120°C

Accessories

Set: spacer plate inside + outside

Cat. no.

Set: outer flange plate

Cat. no.

Outer 6-pole adapter plate

Cat. no.

Outer spacer plate

Cat. no.

Inner partition plate, solder connection

Cat. no.

Perforated foam seal

Cat. no.

Inner moulding plate

Cat. no.

Inner mounting screw

Cat. no.

Screwdriver SDB

Cat. no.

Quick marking PMC SB

Cat. no.

SDK 10-DP GR

17441.6

Qty.

50

SDK 10-FP GR (use an M4x10 screw)

17442.6

50

SDK 10-AP/6 GR

17443.6

10

BS-SDK 10/16

17448.6

100

SDK 0,8 X 4,0

1087.0

1

PMC BSTR 10X12/10 WH

9433.7

100

* When using spacer plates and mounting on a conductive housing panel

** When using spacer plates and adapter plates, and when mounting on a conductive housing panel

Screw/solder connection system

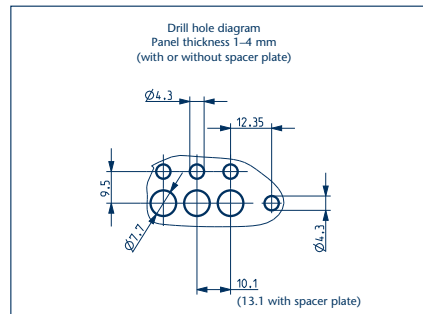
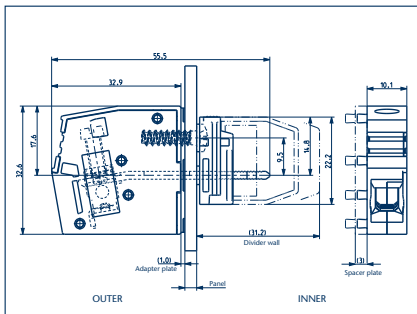


- Housing made from polyamide 6.6 UL 94 V-0

SDK 10/1A/1L



Diagrams



Scope of delivery SDK 10/1A/1L

Inner part, outer part, inner mounting screw and perforated foam seal

Connection type

Size (L x W x H), mm: Outer section
Size (L x W x H), mm: Inner section

Type

Type / colour

Cat. no.

Type / colour (with housing pegs)

Cat. no.

Colour variants

Ratings IEC 60947-7-1

Rated voltage, V

Rated current, A | Max. current capacity, A

Rated cross-section, mm²

Contamination degree

Thickness of panel, mm

Rated surge voltage, kV

Plug gauge acc. to EN 60 947-1 | Flamm. class acc. to UL 94

Ratings UL / CSA

Rated voltage, V

Rated current, A

Rated cross-section, AWG

Use group

Thickness of panel, mm

Screw-solder connection

32,9 x 10,1 x 32,6
9,3 x 10,1 x 22,2

Qty.

SDK 10/1A/1L GR

17388.6

50

SDK 10/1A/1L GR

17389.6

50

320* 630** 1000***

57 | 76 57 | 76 57 | 76

10 10 10

3 3 3

1-4 1-4 1-3***

4 6 6

A6 | V0 A6 | V0 A6 | V0

300* 600** 600***

65 | 10 5 65

20-6 20-6 20-6

B | D D C

1-4 1-4 1-3***

Connection data

Single wire (solid) | Stranded (flexible) mm²

Finely-stranded|Finely-stranded (w/ferrules: DIN 46 228/1), mm²

Clamping area, mm²

Stripping length, mm

Torque, Nm | Screw

0,2-16 | 0,2-16

0,2-16 | 0,2-10

0,2-16

12 mm

1,2-2,4 | slotted M4

Features

Material of insulated housing | Temperature range

PA 6.6 UL 94 V-0

-40 bis +120°C

Accessories

Set: spacer plate inside + outside

Cat. no.

Set: outer flange plate

Cat. no.

Outer 6-pole adapter plate

Cat. no.

Outer spacer plate

Cat. no.

Inner partition plate, solder connection

Cat. no.

Perforated foam seal

Cat. no.

Inner moulding plate

Cat. no.

Inner mounting screw

Cat. no.

Screwdriver SDB

Cat. no.

Quick marking PMC SB

Cat. no.

SDK 10 FP GR (use an M4x10 screw)

17442.6

50

SDK 10-AP/6 GR

17443.6

10

SDK 10-DPA GR

17444.6

50

SDK 10-TWI RD

17445.6

50

SDK 10-SPI/10 DG

17446.6

100

SDK 10-VPI GR

17447.6

50

BS-SDK 10/16

17448.6

100

SDK 0,8 X 4,0

1087.0

1

PMC BSTR 10X12/10 WH

9433.7

100

* Without spacer plates, without encapsulation compound or without partition plates

** When used without outer spacer plates, and when mounted on a conductive housing panel with use of encapsulation compound or inner partition plates

*** When used with outer spacer plates and adapter plates, and when mounted on a conductive housing panel with use of encapsulation compound or inner partition plates

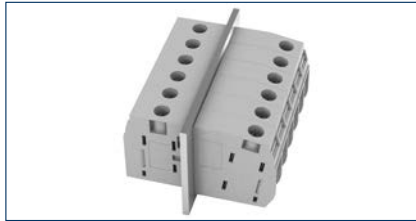
Feed-through terminals SDK 16

Screw connection system

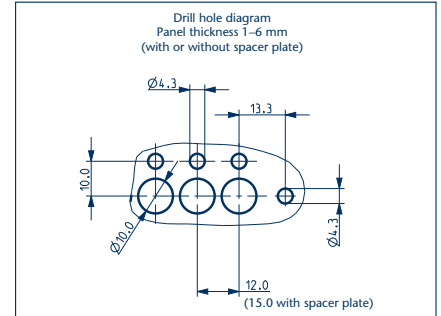
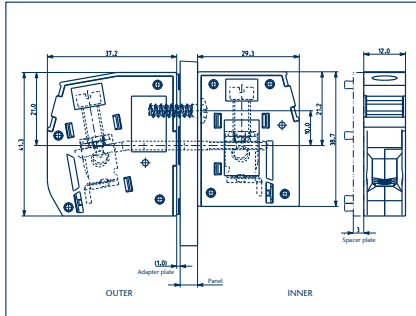


- Housing made from polyamide 6.6 UL 94 V-0

SDK 16/2A



Diagrams



Scope of delivery SDK 16/2A

Inner part, outer part, inner mounting screw

Connection type

Size (L x W x H), mm: Outer section
Size (L x W x H), mm: Inner section

Type

Type / colour

Cat. no.

Type / colour (with housing pegs)

Cat. no.

Colour variants

Ratings IEC 60947-7-1

Rated voltage, V

Rated current, A | Max. current capacity, A

Rated cross-section, mm²

Contamination degree

Thickness of panel, mm

Rated surge voltage, kV

Plug gauge acc. to EN 60 947-1 | Flamm. class acc. to UL 94

Ratings UL / CSA

Rated voltage, V

Rated current, A

Rated cross-section, AWG

Use group

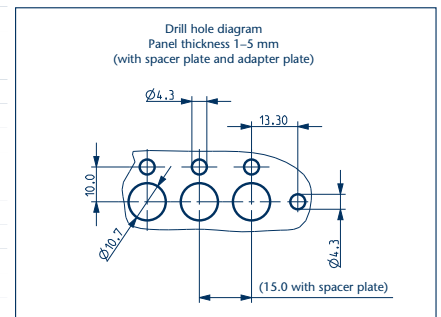
Thickness of panel, mm

Screw connection

37,2 x 12,0 x 41,3
29,3 x 12,0 x 38,7

Qty.

SDK 16/2A GR	50
17394.6	
SDK 16/2A/Z GR	50
17395.6	



Connection data

Single wire (solid) | Stranded (flexible) mm²

Finely-stranded|Finely-stranded (w/ferrules: DIN 46 228/1), mm²

Clamping area, mm²

Stripping length, mm

Torque, Nm | Screw

1,5-25 | 1,5-25

1,5-25 | 1,5-16

1,5-25

16 mm

2,0-4,0 | slotted M5

Features

Material of insulated housing | Temperature range

PA 6.6 UL 94 V-0
-40 bis +120°C

Accessories

Set: spacer plate inside + outside

Cat. no.

Set: outer flange plate

Cat. no.

Outer 6-pole adapter plate

Cat. no.

Outer spacer plate

Cat. no.

Inner partition plate, solder connection

Cat. no.

Perforated foam seal

Cat. no.

Inner moulding plate

Cat. no.

Inner mounting screw

Cat. no.

Screwdriver SDB

Cat. no.

Quick marking PMC SB

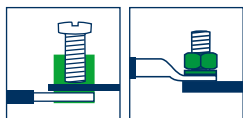
Cat. no.

SDK 16-DP GR	50
17451.6	
SDK 16-FP GR (use an M4x16 screw)	50
17452.6	
SDK 16-AP/6 GR	10
17453.6	
BS-SDK 10/16	100
17448.6	
SDK 0,8 X 4,0	1
1087.0	
PMC BSTR 10X12/10 WH	100
9433.7	

* When using spacer plates and mounting on a conductive housing panel

** When using spacer plates and adapter plates, and when mounting on a conductive housing panel

Screw / Stud connection system

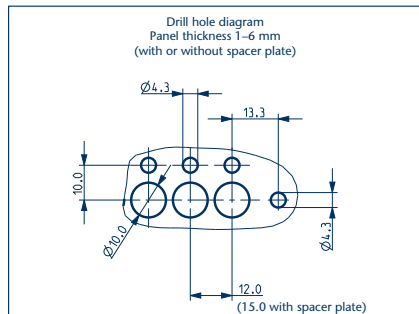
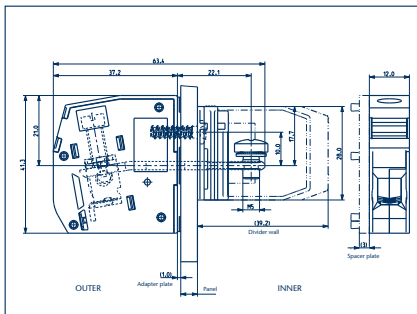


- Housing made from polyamide 6.6 UL 94 V-0

SDK 16/1A/1B



Diagrams



Scope of delivery SDK 16/1A/1B

Inner part, outer part, inner mounting screw and perforated foam seal

Connection type

Size (L x W x H), mm: Outer section
Size (L x W x H), mm: Inner section

Type

Type / colour

Cat. no.

Type / colour (with housing pegs)

Cat. no.

Colour variants

Ratings IEC 60947-7-1

Rated voltage, V

Rated current, A | Max. current capacity, A

Rated cross-section, mm²

Contamination degree

Thickness of panel, mm

Rated surge voltage, kV

Plug gauge acc. to EN 60 947-1 | Flamm. class acc. to UL 94

Ratings UL / CSA

Rated voltage, V

Rated current, A

Rated cross-section, AWG

Use group

Thickness of panel, mm

Screw / Stud connection

37,2 x 12,0 x 41,3
9,3 x 12,0 x 28,0

Qty.

SDK 16/1A/1B GR
17396.6 50

SDK 16/1A/1B GR
17397.6 50

400* 630** 1000***

76 | 101 76 | 101 76 | 101

16 16 16

3 3 3

1-6 1-6 1-5***

4 6 6

A7 | V0 A7 | V0 A7 | V0

300* 600** 600***

85 | 10 5 85

16-4 16-4 16-4

B | D D C

1-6 1-6 1-5***

Connection data

Single wire (solid) | Stranded (flexible) mm²

Finely-stranded | Finely-stranded (w/ferrules: DIN 46 228/1), mm²

Clamping area, mm²

Stripping length, mm

Torque, Nm | Screw, outer part

Torque, Nm | Screw, inner part

Features

Material of insulated housing | Temperature range

Accessories

Set: spacer plate inside + outside

Cat. no.

Set: outer flange plate

Cat. no.

Outer 6-pole adapter plate

Cat. no.

Outer spacer plate

Cat. no.

Inner partition plate, solder connection

Cat. no.

Perforated foam seal

Cat. no.

Inner moulding plate

Cat. no.

Inner mounting screw

Cat. no.

Screwdriver SDB

Cat. no.

Quick marking PMC SB

Cat. no.

PA 6.6 UL 94 V-0

-40 bis +120°C

Qty.

SDK 16-FP GR (use an M4x16 screw)
17452.6 50

SDK 16-AP/6 GR
17453.6 10

SDK 16-DPA GR
17454.6 50

SDK 16-TWI RD
17455.6 50

SDK 16-SPI/10 DG
17456.6 100

SDK 16-VPI GR
17457.6 50

BS-SDK 10/16
17448.6 100

SDK 0,8 X 4,0
1087.0 1

PMC BSTR 10X12/10 WH
9433.7 100

* Without spacer plates, without encapsulation compound or without partition plates

** When used without outer spacer plates, and when mounted on a conductive housing panel with use of encapsulation compound or inner partition plates

*** When used with outer spacer plates and adapter plates, and when mounted on a conductive housing panel with use of encapsulation compound or inner partition plates