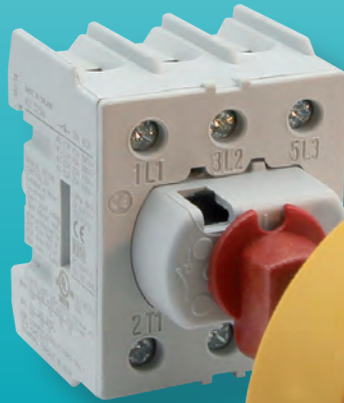


MOTOR DISCONNECT SWITCHES AND ACCESSORIES



Motor Disconnect Switches Features & Benefits

- One of the smallest 80 A switches in the industry
- Advanced switch technology (use of silver contacts ensures safe and durable operation)
- Across the line, motor starting - up to 75 hp/600 V
- General Use Rating - 16 A to 150 A/600 V
- Available as rotary switches for extended or direct handle applications
- Toggle switches
- Non-fused switch
- Short Circuit Withstand Rating of 10 kA with back-up fuse
- DIN Rail and panel mount available
- Comprehensive range of accessories
- Snap on auxiliary contacts
- Enclosed switches have UL Listed Type 4 and/or 4X rating; watertight
- Operating temperature is -20°C to +40°C

UL60947-4-1A (Formerly UL508) Listed Manual Motor Controllers



with Disconnecting Means



AC Motor Across-The-Line
AC General Use

| | |
|--|---|
| Extended / Direct Handle Motor Disconnect Switch | 1 |
| UL98 Motor Disconnect Switch - Extended | 2 |
| Extended / Direct Handle Accessories | 3 |
| Toggle Handle Motor Disconnect Switch | 4 |
| Enclosed Disconnect Switches | 5 |
| Index | 6 |



KU316N

Specifications

| | | |
|--|---------------------|----------------|
| No. of Poles | 3 (4 pole - KU416N) | |
| General Purpose Current | 16 A | |
| Maximum Voltage | 600V AC | |
| Motor FLA @ 480V AC | 14 A | |
| Motor FLA @ 600V AC | 9 A | |
| Horsepower Rating /HP | 1 Phase | 3 Phase |
| 110-120V AC | 1 | 2 |
| 200V AC | 1.5 | 3 |
| 208V AC | 1.5 | 3 |
| 220-240V AC | 2 | 3 |
| 265V AC | – | 5 |
| 277V AC | – | 5 |
| 380-415V AC | – | 7.5 |
| 440-480V AC | – | 10 |
| 550-600V AC | – | 7.5 |
| Short Circuit Withstand Rating at 600 V with Max. | 10 kA | |
| Fuse Size/Class: | | |
| K5 | 30 A | |
| RK5 | 30 A | |
| RK1 | 60 A | |
| J | 80 A | |
| Terminal Size Acceptability (Cu Conductors only, 75°C) | 14-8 AWG | |
| Terminal Torque | 16 lb. in. (1.8 Nm) | |
| Screw Head Type | No. 2 Pozidrive | |



Weight
 0.172 kg (0.379 lb.) (3 pole)
 0.215 kg (0.474 lb.) (4 pole)

Accessories

Extended Handle Applications (Door Interlock Mechanism)

| | |
|------------------|-----------------------------|
| Shaft | L(1,2,3)00AD11-ST |
| Handles | LK10 (Y/R) UL, LK11 (Y/R) U |
| Auxiliary Switch | KU1.V, KU2.V |
| Fuse Holder | – |

Direct Handle Applications

| | |
|--------------------|----------------------|
| Handle for 3 Pole | K/KU3P (Y/R) |
| Handle for 4 Pole | K/KU4P (Y/R) |
| Door Mounting Kits | OKA/KU LK10 x; OKA x |

KU325N

Specifications

| | | |
|--|---------------------|----------------|
| No. of Poles | 3 (4 pole - KU425N) | |
| General Purpose Current | 25 A | |
| Maximum Voltage | 600V AC | |
| Motor FLA @ 480V AC | 21 A | |
| Motor FLA @ 600V AC | 11 A | |
| Horsepower Rating /HP | 1 Phase | 3 Phase |
| 110-120V AC | 1.5 | 3 |
| 200V AC | 2 | 5 |
| 208V AC | 2 | 5 |
| 220-240V AC | 3 | 5 |
| 265V AC | – | 7.5 |
| 277V AC | – | 7.5 |
| 380-415V AC | – | 10 |
| 440-480V AC | – | 15 |
| 550-600V AC | – | 10 |
| Short Circuit Withstand Rating at 600 V with Max. | 10 kA | |
| Fuse Size/Class: | | |
| K5 | 30 A | |
| RK5 | 30 A | |
| RK1 | 60 A | |
| J | 80 A | |
| Terminal Size Acceptability (Cu Conductors only, 75°C) | 14-8 AWG | |
| Terminal Torque | 16 lb. in. (1.8 Nm) | |
| Screw Head Type | No. 2 Pozidrive | |



Weight
 0.172 kg (0.379 lb.) (3 pole)
 0.215 kg (0.474 lb.) (4 pole)

Accessories

Extended Handle Applications (Door Interlock Mechanism)

| | |
|------------------|-----------------------------|
| Shaft | L(1,2,3)00AD11-ST |
| Handles | LK10 (Y/R) UL, LK11 (Y/R) U |
| Auxiliary Switch | KU1.V, KU2.V |
| Fuse Holder | – |

Direct Handle Applications

| | |
|--------------------|----------------------|
| Handle for 3 Pole | K/KU3P (Y/R) |
| Handle for 4 Pole | K/KU4P (Y/R) |
| Door Mounting Kits | OKA/KU LK10 x; OKA x |

Extended/Direct Handle Motor Disconnect Switch

KU340N

Specifications

| | | |
|---|---------------------|----------------|
| No. of Poles | 3 (4 pole - KU440N) | |
| General Purpose Current | 40 A | |
| Maximum Voltage | 600V AC | |
| Motor FLA @ 480V AC | 27 A | |
| Motor FLA @ 600V AC | 17 A | |
| Horsepower Rating /HP | 1 Phase | 3 Phase |
| 110-120V AC | 2 | 3 |
| 200V AC | 3 | 7.5 |
| 208V AC | 3 | 7.5 |
| 220-240V AC | 5 | 7.5 |
| 265V AC | - | 10 |
| 277V AC | - | 10 |
| 380-415V AC | - | 15 |
| 440-480V AC | - | 20 |
| 550-600V AC | - | 15 |
| Short Circuit Withstand Rating at 600 V with Max. Fuse Size/Class: | 10 kA | |
| K5 | 30 A | |
| RK5 | 30 A | |
| RK1 | 60 A | |
| J | 80 A | |
| Terminal Size Acceptability (Cu Conductors only, 75°C) | 14-8 AWG | |
| Terminal Torque | 16 lb. in. (1.8 Nm) | |
| Screw Head Type | No. 2 Pozidrive | |



Weight 0.172 kg (0.379 lb.) (3 pole)
0.215 kg (0.474 lb.) (4 pole)

Accessories

Extended Handle Applications (Door Interlock Mechanism)

Shaft L(1,2,3)00AD11-ST
Handles LK10 (Y/R) UL, LK11 (Y/R) U
Auxiliary Switch KU1.V, KU2.V
Fuse Holder KV 10x38, KV 10x38 CC

Direct Handle Applications

Handle for 3 Pole K/KU3P (Y/R)
Handle for 4 Pole K/KU4P (Y/R)
Door Mounting Kits OKA/KU LK10 x; OKA x

KU363N

Specifications

| | | |
|---|---------------------|----------------|
| No. of Poles | 3 (4 pole - KU463N) | |
| General Purpose Current | 60 A | |
| Maximum Voltage | 600V AC | |
| Motor FLA @ 480V AC | 34 A | |
| Motor FLA @ 600V AC | 27 A | |
| Horsepower Rating /HP | 1 Phase | 3 Phase |
| 110-120V AC | 3 | 5 |
| 200V AC | 5 | 10 |
| 208V AC | 5 | 10 |
| 220-240V AC | 7.5 | 10 |
| 265V AC | - | 10 |
| 277V AC | - | 10 |
| 380-415V AC | - | 20 |
| 440-480V AC | - | 25 |
| 550-600V AC | - | 25 |
| Short Circuit Withstand Rating at 600 V with Max. Fuse Size/Class: | 10 kA | |
| K5 | 30 A | |
| RK5 | 30 A | |
| RK1 | 60 A | |
| J | 100 A | |
| Terminal Size Acceptability (Cu Conductors only, 75°C) | 12-4 AWG | |
| Terminal Torque | 16 lb. in. (1.8 Nm) | |
| Screw Head Type | No. 2 Pozidrive | |



Weight 0.200 kg (0.441 lb.) (3 pole)
0.245 kg (0.540 lb.) (4 pole)

Accessories

Extended Handle Applications (Door Interlock Mechanism)

Shaft L(1,2,3)00AD11-ST
Handles LK10 (Y/R) UL, LK11 (Y/R) U
Auxiliary Switch KU1.V, KU2.V
Fuse Holder —

Direct Handle Applications

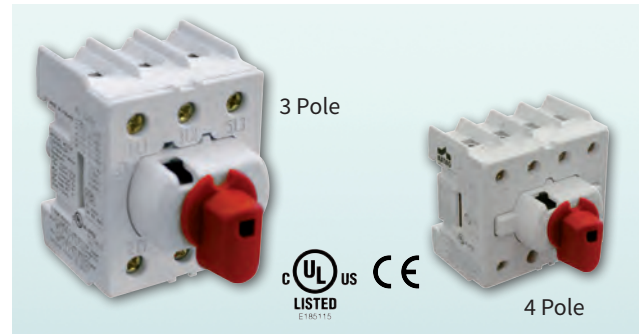
Handle for 3 Pole K/KU3P (Y/R)
Handle for 4 Pole K/KU4P (Y/R)
Door Mounting Kits OKA/KU LK10 x; OKA x



KU380N

Specifications

| | | |
|--|---------------------|----------------|
| No. of Poles | 3 (4 pole - KU480N) | |
| General Purpose Current | 80 A | |
| Maximum Voltage | 600V AC | |
| Motor FLA @ 480V AC | 40 A | |
| Motor FLA @ 600V AC | 32 A | |
| Horsepower Rating /HP | 1 Phase | 3 Phase |
| 110-120V AC | 5 | 7.5 |
| 200V AC | 7.5 | 10 |
| 208V AC | 7.5 | 10 |
| 220-240V AC | 10 | 15 |
| 265V AC | - | 15 |
| 277V AC | - | 15 |
| 380-415V AC | - | 25 |
| 440-480V AC | - | 30 |
| 550-600V AC | - | 30 |
| Short Circuit Withstand Rating at 600 V with Max. | 10 kA | |
| Fuse Size/Class: | | |
| K5 | 30 A | |
| RK5 | 30 A | |
| RK1 | 60 A | |
| J | 100 A | |
| Terminal Size Acceptability (Cu Conductors only, 75°C) | 12-4 AWG | |
| Terminal Torque | 16 lb. in. (1.8 Nm) | |
| Screw Head Type | No. 2 Pozidrive | |



Weight
0.200 kg (0.441 lb.) (3 pole)
0.245 kg (0.540 lb.) (4 pole)

Accessories

Extended Handle Applications (Door Interlock Mechanism)

| | |
|------------------|-----------------------------|
| Shaft | L(1,2,3)00AD11-ST |
| Handles | LK10 (Y/R) UL, LK11 (Y/R) U |
| Auxiliary Switch | KU1.V, KU2.V |
| Fuse Holder | - |

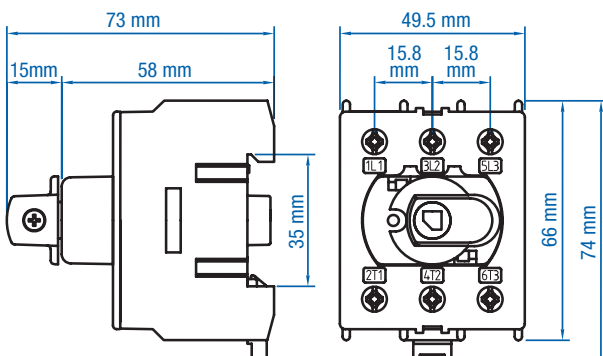
Direct Handle Applications

| | |
|--------------------|----------------------|
| Handle for 3 Pole | K/KU3P (Y/R) |
| Handle for 4 Pole | K/KU4P (Y/R) |
| Door Mounting Kits | OKA/KU LK10 x; OKA x |

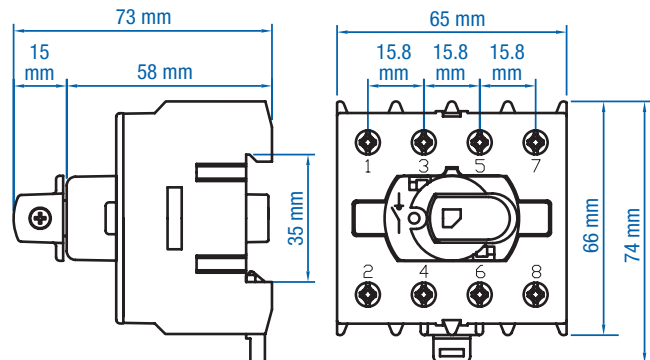
Dimensions

(to convert to inches multiply by 0.03937)

KU3xxN - 3 Pole



KU4xxN - 4 Pole

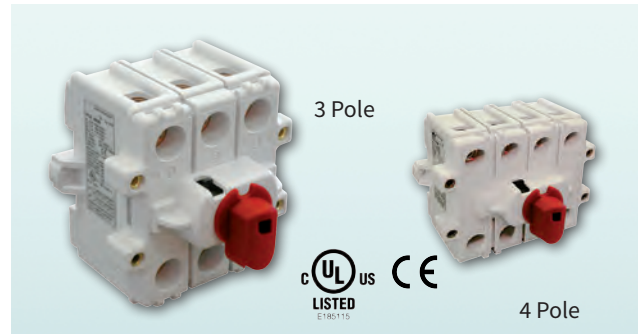


Extended/Direct Handle Motor Disconnect Switch

VKA380N

Specifications

| | | |
|--|----------------------|----------------|
| No. of Poles | 3 (4 pole - VKA480N) | |
| General Purpose Current | 80 A | |
| Maximum Voltage | 600V AC | |
| Motor FLA @ 480V AC | - | |
| Motor FLA @ 600V AC | 47 A | |
| Horsepower Rating /HP | 1 Phase | 3 Phase |
| 110-120V AC | 3 | 7.5 |
| 200V AC | 7.5 | 10 |
| 208V AC | 7.5 | 15 |
| 220-240V AC | 7.5 | 15 |
| 265V AC | 10 | 20 |
| 277V AC | 10 | 20 |
| 380-415V AC | 15 | 25 |
| 440-480V AC | 20 | 30 |
| 550-600V AC | 25 | 40 |
| Short Circuit Withstand Rating at 600 V with Max. | 10 kA | |
| Fuse Size/Class: | | |
| K5 | 150 A | |
| RK5 | 150 A | |
| RK1 | - | |
| J | 200 A | |
| Terminal Size | 8-1/0 AWG | |
| Acceptability (Cu Conductors only, 75°C) | 8-1/0 AWG | |
| Terminal Torque | 50 lb. in. (5.6 Nm) | |
| Screw Head Type | 5 mm Allen Key | |



| | |
|---------------|-------------------------------|
| Weight | 0.480 kg (1.058 lb.) (3 pole) |
| | 0.620 kg (1.367 lb.) (4 pole) |

Accessories

Extended Handle Applications (Door Interlock Mechanism)

| | |
|------------------|-----------------------------|
| Shaft | L(1,2,3)00AD11-ST |
| Handles | LK10 (Y/R) UL, LK11 (Y/R) U |
| Auxiliary Switch | VKA1.V, VKA2.V |
| Fuse Holder | - |

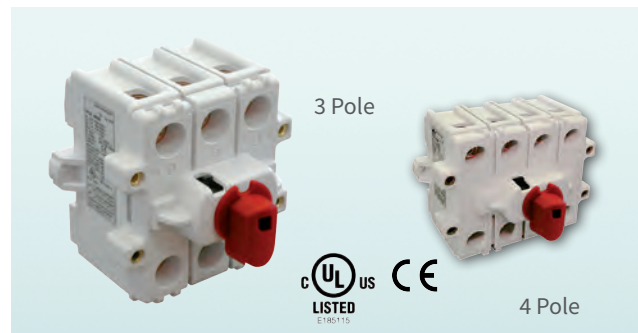
Direct Handle Applications

| | |
|-----------------------|-----------------|
| Handle for 3 & 4 Pole | K/VKA3-4P (Y/R) |
| Door Mounting Kits | OKA/VKA x |

VKA3100N

Specifications

| | | |
|--|-----------------------|----------------|
| No. of Poles | 3 (4 pole - VKA4100N) | |
| General Purpose Current | 100 A | |
| Maximum Voltage | 600V AC | |
| Motor FLA @ 480V AC | - | |
| Motor FLA @ 600V AC | 54 A | |
| Horsepower Rating /HP | 1 Phase | 3 Phase |
| 110-120V AC | 3 | 7.5 |
| 200V AC | 7.5 | 15 |
| 208V AC | 7.5 | 15 |
| 220-240V AC | 10 | 20 |
| 265V AC | 10 | 20 |
| 277V AC | 10 | 20 |
| 380-415V AC | 15 | 30 |
| 440-480V AC | 20 | 40 |
| 550-600V AC | 30 | 50 |
| Short Circuit Withstand Rating at 600 V with Max. | 10 kA | |
| Fuse Size/Class: | | |
| K5 | 150 A | |
| RK5 | 150 A | |
| RK1 | - | |
| J | 200 A | |
| Terminal Size | 8-1/0 AWG | |
| Acceptability (Cu Conductors only, 75°C) | 8-1/0 AWG | |
| Terminal Torque | 50 lb. in. (5.6 Nm) | |
| Screw Head Type | 5 mm Allen Key | |



| | |
|---------------|-------------------------------|
| Weight | 0.480 kg (1.058 lb.) (3 pole) |
| | 0.620 kg (1.367 lb.) (4 pole) |

Accessories

Extended Handle Applications (Door Interlock Mechanism)

| | |
|------------------|-----------------------------|
| Shaft | L(1,2,3)00AD11-ST |
| Handles | LK10 (Y/R) UL, LK11 (Y/R) U |
| Auxiliary Switch | VKA1.V, VKA2.V |
| Fuse Holder | - |

Direct Handle Applications

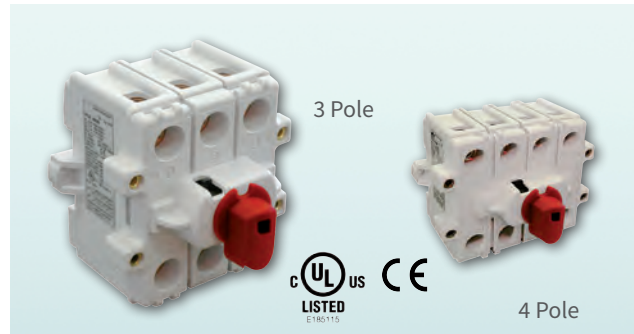
| | |
|-----------------------|-----------------|
| Handle for 3 & 4 Pole | K/VKA3-4P (Y/R) |
| Door Mounting Kits | OKA/VKA |



VKA3125N

Specifications

| | | |
|--|-----------------------|----------------|
| No. of Poles | 3 (4 pole - VKA4125N) | |
| General Purpose Current | 125 A | |
| Maximum Voltage | 600V AC | |
| Motor FLA @ 480V AC | - | |
| Motor FLA @ 600V AC | 68 A | |
| Horsepower Rating /HP | 1 Phase | 3 Phase |
| 110-120V AC | 5 | 10 |
| 200V AC | 10 | 20 |
| 208V AC | 10 | 20 |
| 220-240V AC | 15 | 25 |
| 265V AC | 15 | 25 |
| 277V AC | 15 | 30 |
| 380-415V AC | 20 | 40 |
| 440-480V AC | 25 | 50 |
| 550-600V AC | 30 | 60 |
| Short Circuit Withstand Rating at 600 V with Max. | 10 kA | |
| Fuse Size/Class: | | |
| K5 | 150 A | |
| RK5 | 150 A | |
| RK1 | - | |
| J | 200 A | |
| Terminal Size Acceptability (Cu Conductors only, 75°C) | 8-1/0 AWG | |
| Terminal Torque | 50 lb. in. (5.6 Nm) | |
| Screw Head Type | 5 mm Allen Key | |



Weight
0.480 kg (1.058 lb.) (3 pole)
0.620 kg (1.367 lb.) (4 pole)

Accessories

Extended Handle Applications (Door Interlock Mechanism)

| | |
|------------------|-----------------------------|
| Shaft | L(1,2,3)00AD11-ST |
| Handles | LK10 (Y/R) UL, LK11 (Y/R) U |
| Auxiliary Switch | VKA1.V, VKA2.V |
| Fuse Holder | - |

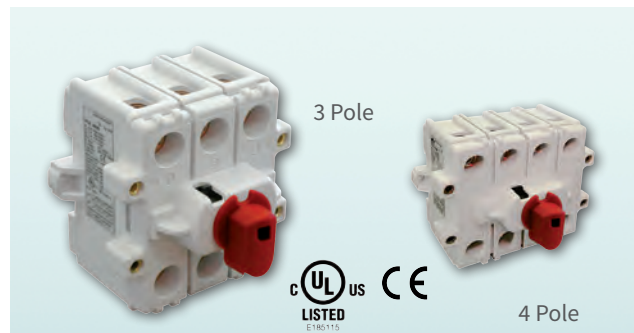
Direct Handle Applications

| | |
|-----------------------|-----------------|
| Handle for 3 & 4 Pole | K/VKA3-4P (Y/R) |
| Door Mounting Kits | OKA/VKA x |

VKA3160N

Specifications

| | | |
|--|-----------------------|----------------|
| No. of Poles | 3 (4 pole - VKA4160N) | |
| General Purpose Current | 150 A | |
| Maximum Voltage | 600V AC | |
| Motor FLA @ 480V AC | - | |
| Motor FLA @ 600V AC | 83 A | |
| Horsepower Rating /HP | 1 Phase | 3 Phase |
| 110-120V AC | 7.5 | 10 |
| 200V AC | 10 | 25 |
| 208V AC | 10 | 25 |
| 220-240V AC | 15 | 30 |
| 265V AC | 20 | 30 |
| 277V AC | 20 | 30 |
| 380-415V AC | 25 | 50 |
| 440-480V AC | 30 | 60 |
| 550-600V AC | 40 | 75 |
| Short Circuit Withstand Rating at 600 V with Max. | 10 kA | |
| Fuse Size/Class: | | |
| K5 | 150 A | |
| RK5 | 150 A | |
| RK1 | - | |
| J | 200 A | |
| Terminal Size Acceptability (Cu Conductors only, 75°C) | 8-1/0 AWG | |
| Terminal Torque | 50 lb. in. (5.6 Nm) | |
| Screw Head Type | 5 mm Allen Key | |



Weight
0.480 kg (1.058 lb.) (3 pole)
0.620 kg (1.367 lb.) (4 pole)

Accessories

Extended Handle Applications (Door Interlock Mechanism)

| | |
|------------------|-----------------------------|
| Shaft | L(1,2,3)00AD11-ST |
| Handles | LK10 (Y/R) UL, LK11 (Y/R) U |
| Auxiliary Switch | KU1.V, KU2.V |
| Fuse Holder | - |

Direct Handle Applications

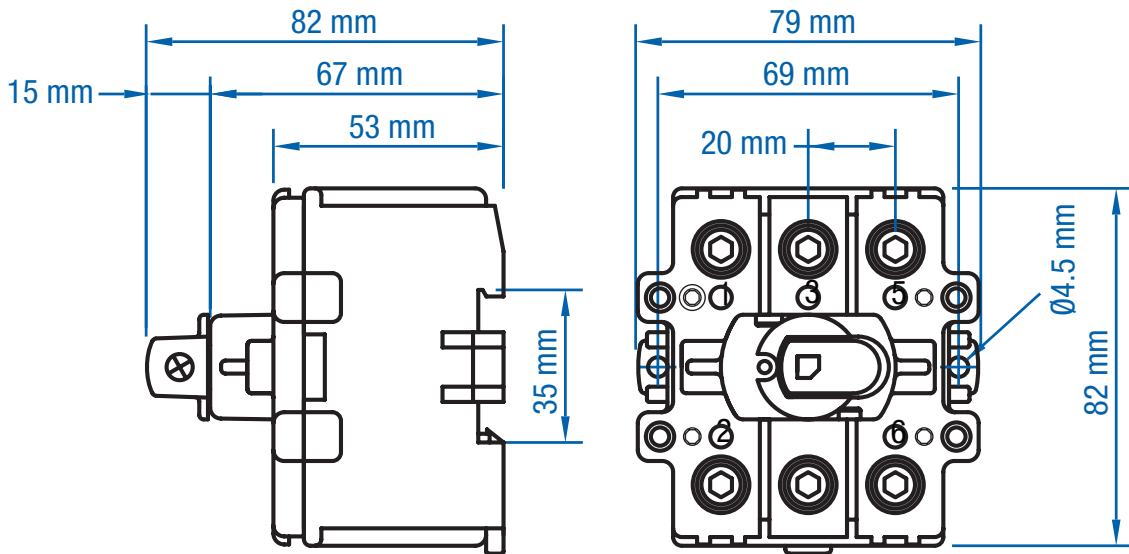
| | |
|-----------------------|-----------------|
| Handle for 3 & 4 Pole | K/VKA3-4P (Y/R) |
| Door Mounting Kits | OKA/VKA x |

Extended/Direct Handle Motor Disconnect Switch

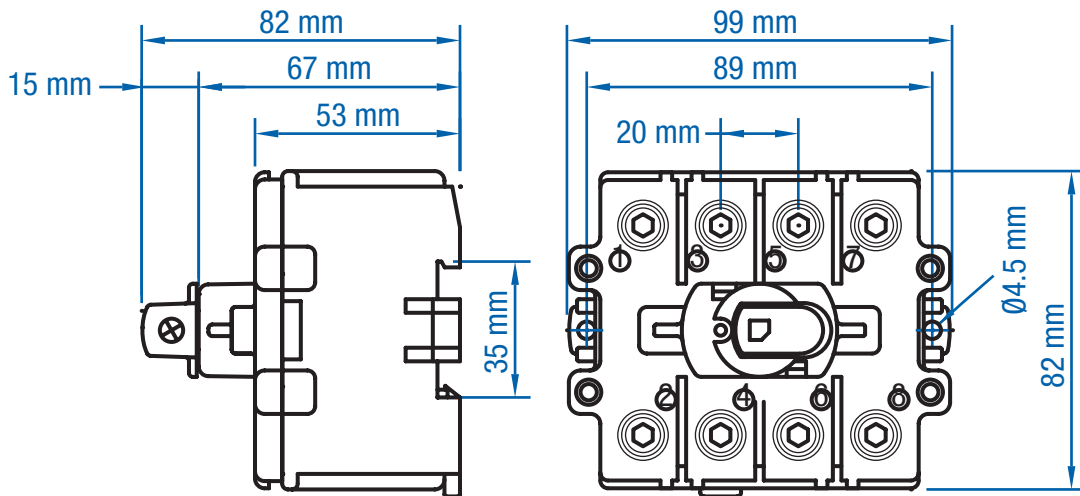
Dimensions

(to convert to inches multiply by 0.03937)

VKA3xxxN - 3 Pole



VKA4xxxN - 4 Pole



1

2

3

4

5

6

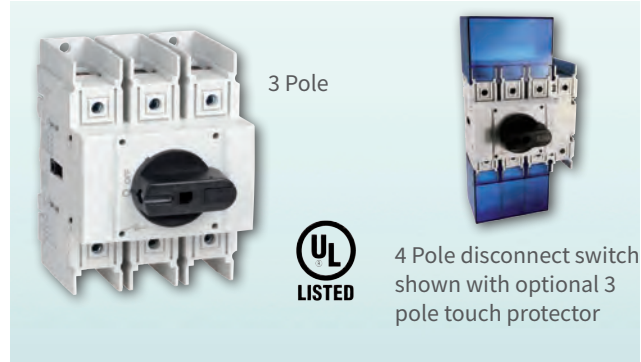
KU360UL98 / KU460UL98

Specifications

| | | |
|--|--------------------|----------------|
| No. of Poles | 3 or 4 | |
| General Purpose Current | 60 A | |
| Maximum Voltage | 600V AC | |
| Horsepower Rating /HP | 1 Phase | 3 Phase |
| 120V AC | 3 | – |
| 240V AC | 7.5 | 20 |
| 480V AC | – | 40 |
| 600V AC | – | 60 |
| Short Circuit Withstand Rating at 600 V | 50 kA/60 A Class J | |
| Terminal Size Acceptability (Cu Conductors only, 75°C) | 8-1/0 AWG | |

Accessories

| | |
|-------------------------------|-----------------------------|
| Door Interlock Shaft | L(1,2,3)00AD11-ST |
| Handles | LK10 (Y/R) UL, LK11 (Y/R) U |
| Side Mounted Auxiliary Switch | 1.V160KU, 2.V160KU |
| Blue Tough Protector | LS/VS 160 3P, LS/VS N160 |



Weight

0.45 kg (1.0 lb.) (3 pole)
0.59 kg (1.3 lb.) (4 pole)

KU3100UL98 / KU4100UL98

Specifications

| | | |
|--|--------------------|----------------|
| No. of Poles | 3 or 4 | |
| General Purpose Current | 100 A | |
| Maximum Voltage | 600V AC | |
| Horsepower Rating /HP | 1 Phase | 3 Phase |
| 120V AC | 5 | – |
| 240V AC | 10 | 25 |
| 480V AC | – | 50 |
| 600V AC | – | 75 |
| Short Circuit Withstand Rating at 600 V | 50 kA/60 A Class J | |
| Terminal Size Acceptability (Cu Conductors only, 75°C) | 8-1/0 AWG | |

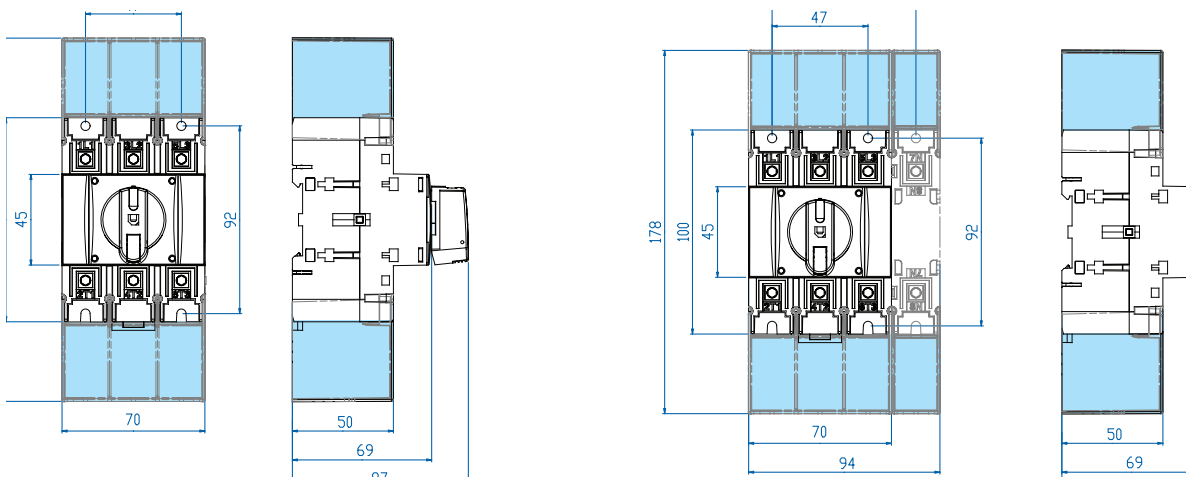
Accessories

| | |
|-------------------------------|-----------------------------|
| Door Interlock Shaft | L(1,2,3)00AD11-ST |
| Handles | LK10 (Y/R) UL, LK11 (Y/R) U |
| Side Mounted Auxiliary Switch | 1.V160KU, 2.V160KU |
| Blue Tough Protector | LS/VS 160 3P, LS/VS N160 |



Weight

0.45 kg (1.0 lb.) (3 pole)
0.59 kg (1.3 lb.) (4 pole)



Door Interlock Handles



LK10 UL and LK10 Y/R UL

LK10 (Y/R) UL:

- Single hole mounting (22.5mm)

LK11 (Y/R) U:

- Retention mechanism (only rotates 90° from off to on, keeps handle in off position while cabinet door is open)

All are padlockable with up to three 1/4" padlocks



Specifications

Environmental Rating (UL)

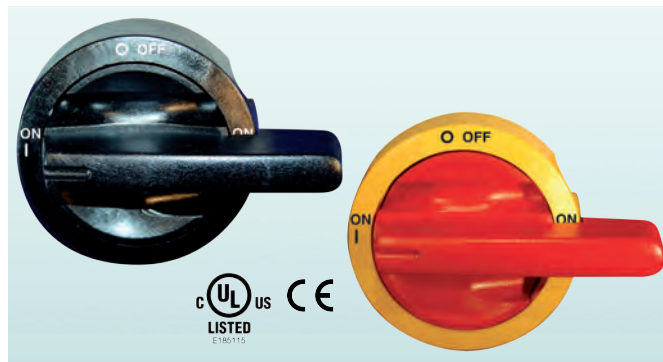
NEMA Type 4X

Environmental Rating (IEC)

IP66

Color

Black



LK11 U and LK11 Y/R U

LK10 (Y/R) UL:

- Single hole mounting (22.5mm)

LK11 (Y/R) U:

- Retention mechanism (only rotates 90° from off to on, keeps handle in off position while cabinet door is open)

All are padlockable with up to three 1/4" padlocks



Specifications

Environmental Rating (UL)

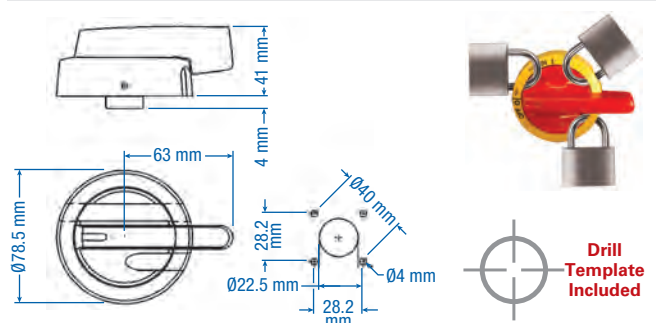
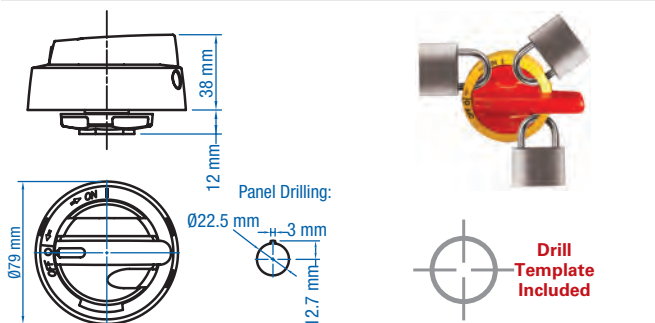
NEMA Type 4X

Environmental Rating (IEC)

IP66

Color

Black



DEFEATABLE MECHANISM - OPERATING INSTRUCTIONS

The defearer mechanism allows a screwdriver to be inserted to release the lock and open the door with the mechanism in the ON position.

Normal State



Defeated State



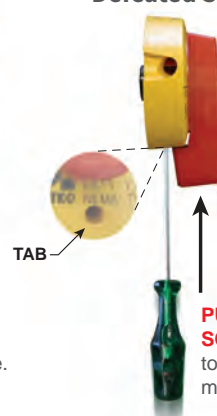
PUSH Actuator
to the left and handle can be defeated.

Actuator

Normal State



Defeated State



BREAK TAB
by pushing screwdriver or equivalent with some force.

PUSH IN SCREWDRIVER
to defeat mechanism



Warning: The defearer mechanism should only be used by a trained professional.

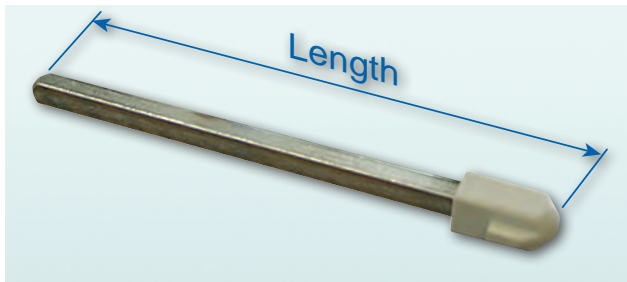
Note: After tab is broken, NEMA Type 4X rating will be lost.



www.waltherelectric.com

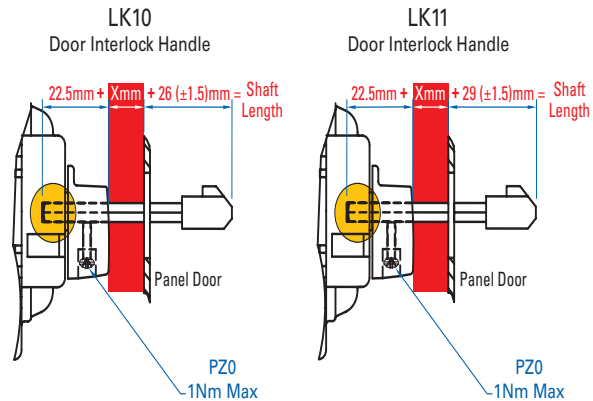
21

Door Interlock Shaft



The steel shaft ensures reliable operation even in the toughest conditions.

| Cat. No. | L100 AD11-ST | L200 AD11-ST | L300AD11-ST |
|------------|--------------|--------------|-------------|
| Length (L) | 100 mm | 200 mm | 300 mm |
| Material | Steel | Steel | Steel |



Change-Over Kits

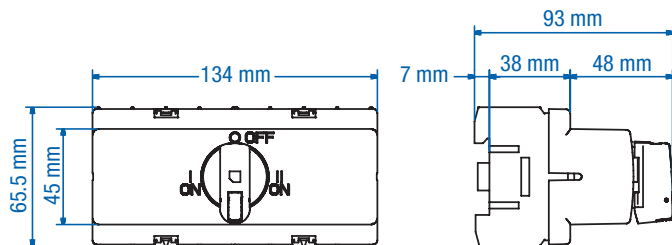


- For 2 KU switches
- Available with black or yellow/red handle (Y/R)

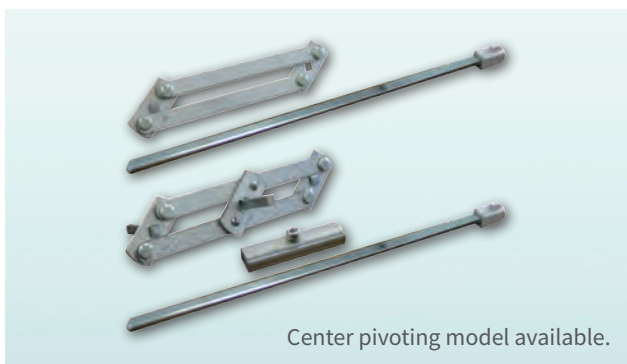
| Cat. No. | Color |
|---------------|------------|
| KU3/4P VV | Black |
| KU3/4P VV/Y/R | Yellow/Red |

Matching Handlee

| Cat. No. | Color |
|------------------|------------|
| LK11 1-0-2 U | Black |
| LK11 1-0-2 Y/R U | Yellow/Red |

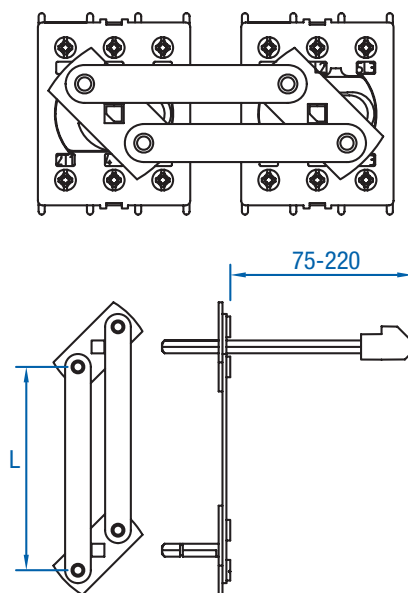


Parallel Kits



- For KU and VKA-switches
- Assembly depth for KU 155-300 mm
- Assembly depth for VKA 164-310 mm
- Includes 200mm steel shaft

| Cat. No. | Length (L) | For use with |
|------------|------------|-------------------|
| RV 66S-ST | 66 mm | 2x KU 3 pole (3P) |
| RV 80S-ST | 80 mm | 2x KU 4P/VKA 3P |
| RV 104S-ST | 104 mm | 2x VKA 4P |

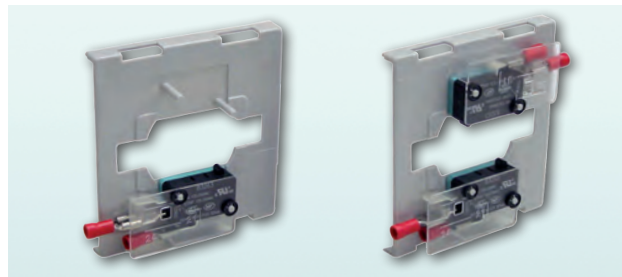
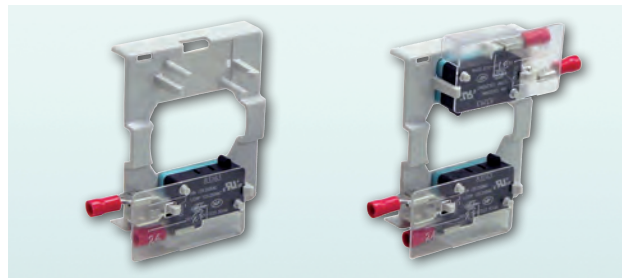


Auxiliary Switches

The auxiliary switches are the snap-on type and can be retrofitted. Makes later and breaks earlier than the main contacts.

| Cat. No. | KU1.V | KU2.V |
|-------------------|------------------------|------------------------|
| Electrical Rating | 16 A/1/2HP/125-250V AC | 16 A/1/2HP/125-250V AC |
| No. of contacts | 1n.o./1n.c. | 2n.o./2n.c. |
| For use With | KU models | KU models |

| Cat. No. | VKA1.V | VKA2.V |
|-------------------|------------------------|------------------------|
| Electrical Rating | 16 A/1/2HP/125-250V AC | 16 A/1/2HP/125-250V AC |
| No. of contacts | 1n.o./1n.c. | 2n.o./2n.c. |
| For use With | VKA models | VKA models |



1

2

3

Fuse Holder

This fuseholder can be retrofitted with the KU340N. Therefore design changes can be incorporated with ease to allow a fusible disconnect.

| Cat. No. | KKV 332 | KKV 332CC |
|-------------------|-------------------|----------------------|
| Electrical Rating | 30 A/600V AC | 30 A/600V AC |
| Fuse Type | 10x38, Midget | Class CC |
| For use With | - | - |
| Kit Includes | KV 10x38 / KU340N | KV 10x38 CC / KU340N |

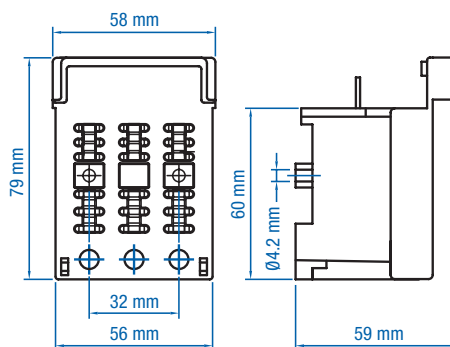
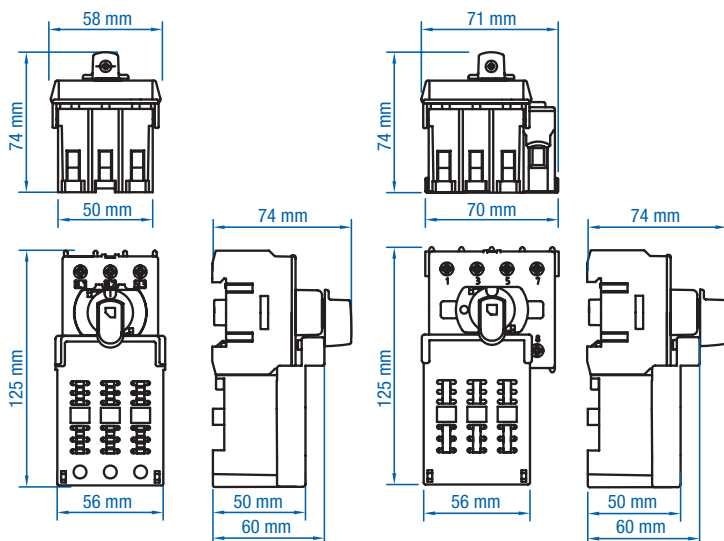
| Cat. No. | KV 10x38 | KV 10x38 CC |
|-------------------|---------------|--------------|
| Electrical Rating | 30 A/600V AC | 30 A/600V AC |
| Fuse Type | 10x38, Midget | Class CC |
| For use With | KU340N | KU340N |
| Kit Includes | - | - |



4

5

6

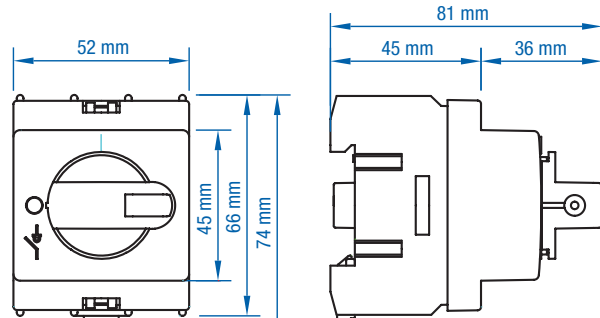


Direct Handles

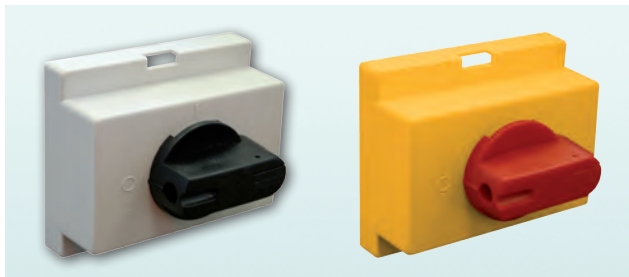


Improved design with metal shaft. Use for all your “inside the panel” applications. 1 suitcase lock location.

| Cat. No. | K/KU3P | K/KU3P Y/R |
|--------------|----------------|----------------|
| Color | Black | Yellow/Red |
| For use with | KU models (3P) | KU models (3P) |

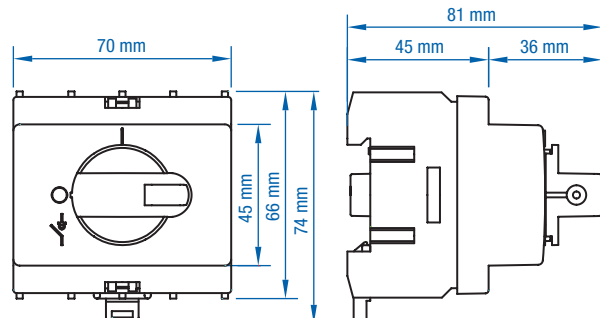


Lockable with 1 suitcase lock.



Improved design with metal shaft. Use for all your “inside the panel” applications. 1 suitcase lock location.

| Cat. No. | K/KU4P | K/KU4P Y/R |
|--------------|----------------|----------------|
| Color | Black | Yellow/Red |
| For use with | KU models (4P) | KU models (4P) |

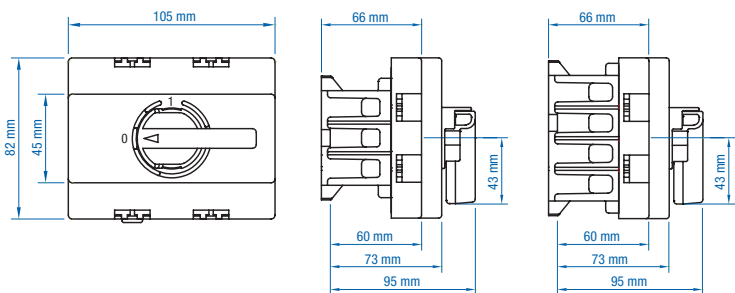


Lockable with 1 suitcase lock.



Improved design with metal shaft. Use for all your “inside the panel” applications. 1 suitcase lock location.

| Cat. No. | K/VKA3-4P | K/VKA3-4P Y/R |
|--------------|-------------------|-------------------|
| Color | Black | Yellow/Red |
| For use with | VKA models (3/4P) | VKA models (3/4P) |



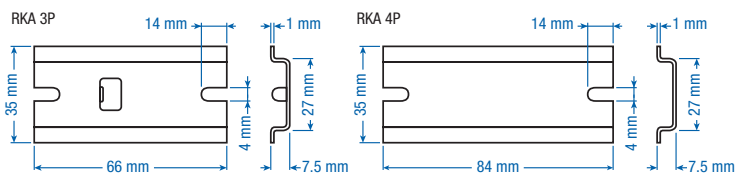
Lockable with 1 suitcase lock.

Aluminum DIN Rail



Panel mount option for small Disconnect Switches.

| Cat. No. | RKA 3P | RKA 4P |
|--------------|--------------|--------------|
| For use with | KU325/40/63N | KU425/40/63N |



NOTE:

In the rare case that your mounting hardware (screws) for DIN Rail interfere with the enforcement studs in the back of the Motor Disconnect Switch please use smaller (≤M3 or equivalent) flathead screws or change your DIN Rail to the 15mm high version.

Mounting Kits for Motor Disconnect Switch

OKA/KU for KU Switches

Designed for fast and easy assembly. Kit includes handle, shaft, mounting hardware and drill template; it does not include motor disconnect switch.

| Cat. No. (Black Handle) | Cat. No. (Yellow/Red Handle) | No. of aux. switches | For use with |
|----------------------------|---------------------------------|-------------------------|------------------|
| OKA/KU LK10 | OKA/KU LK10 Y/R | 0 | 3 Pole KU switch |
| OKA/KU LK10 1.V | OKA/KU LK10 1.V Y/R | 1 | 3 Pole KU switch |
| OKA/KU LK10 2.V | OKA/KU LK10 2.V Y/R | 2 | 3 Pole KU switch |
| OKA/KU4P LK10 | OKA/KU4P LK10 Y/R | 0 | 4 Pole KU switch |
| OKA/KU4P LK10 1.V | OKA/KU4P LK10 1.V Y/R | 1 | 4 Pole KU switch |
| OKA/KU4P LK10 2.V | OKA/KU4P LK10 2.V Y/R | 2 | 4 Pole KU switch |

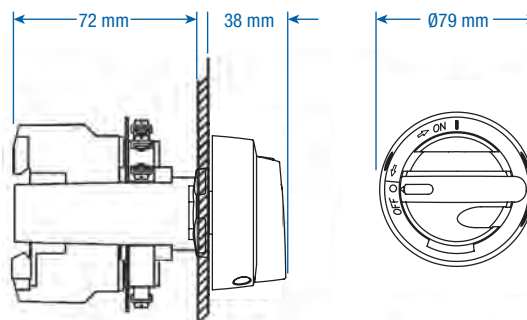
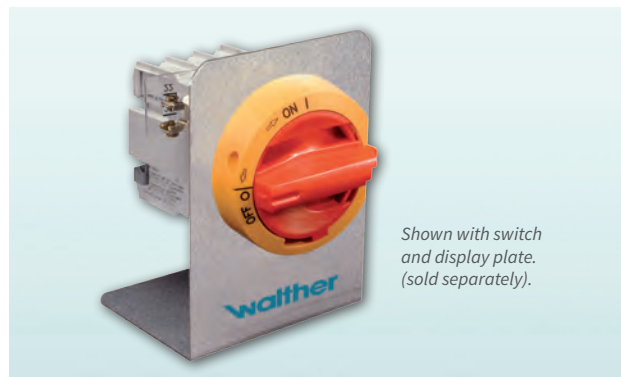
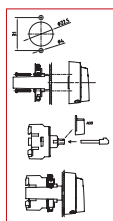
Environmental Rating (UL): NEMA
UL Type 4X
(IEC): IP66



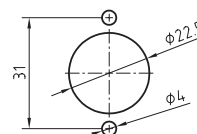
Lockable with up to 3 padlocks.



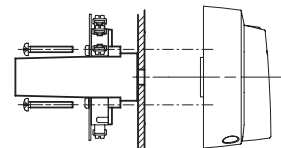
**Drill
Template &
Instructions
Included**



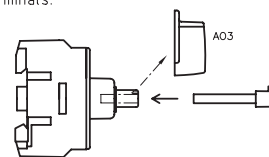
1. Drill the required holes in the door.



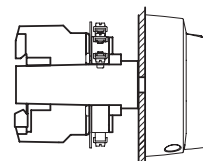
2. Fix the handle and the OKA door mounting kit to the door.



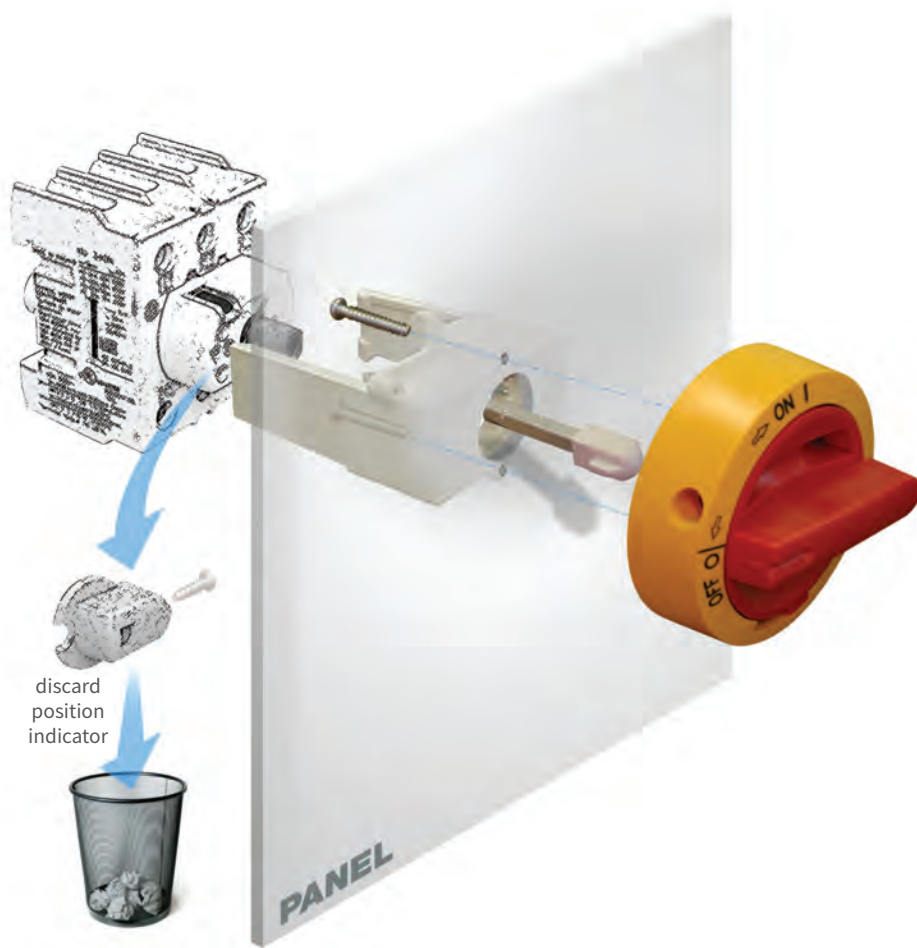
3. Remove position indicator from the switch applicable. Press the shaft (L=52AD11 m) into the switch. Connect the wires to the terminals.



4. Turn the switch to OFF-position (0). Push the switch in place until the snap-on grips are firmly clipped on both sides of the switch.



WARNING:
Auxiliary contact may be broken if pushed on switch in ON-position (1).



1

2

3

4

5

6



OKA for KU Switches

Designed for fast and easy assembly. Kit includes handle, shaft, mounting hardware and drill template; it does not include motor disconnect switch.

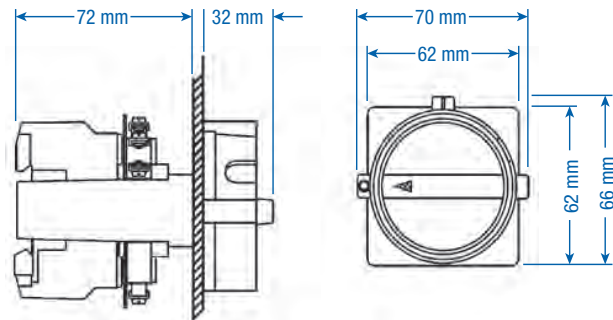
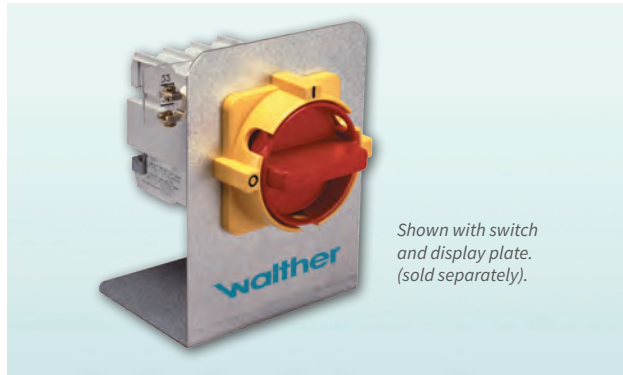
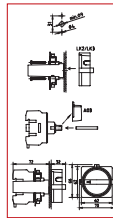
| Cat. No. (Black Handle) | Cat. No. (Yellow/Red Handle) | No. of aux. switches | For use with |
|----------------------------|---------------------------------|-------------------------|------------------|
| OKA 0.V | OKA 0.V Y/R | 0 | 3 Pole KU switch |
| OKA 1.V | OKA 1.V Y/R | 1 | 3 Pole KU switch |
| OKA 2.V | OKA 2.V Y/R | 2 | 3 Pole KU switch |

Environmental Rating (UL): (IEC): IP66

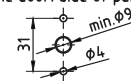
Lockable with up to 3 padlocks.



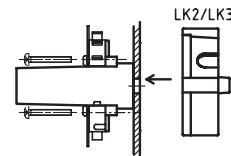
**Drill
Template &
Instructions
Included**



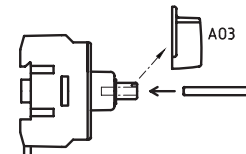
1. Drill required holes in the door/side of panel.



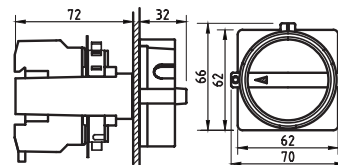
2. Fix the base plate and the OKA door mounting kit to the door.



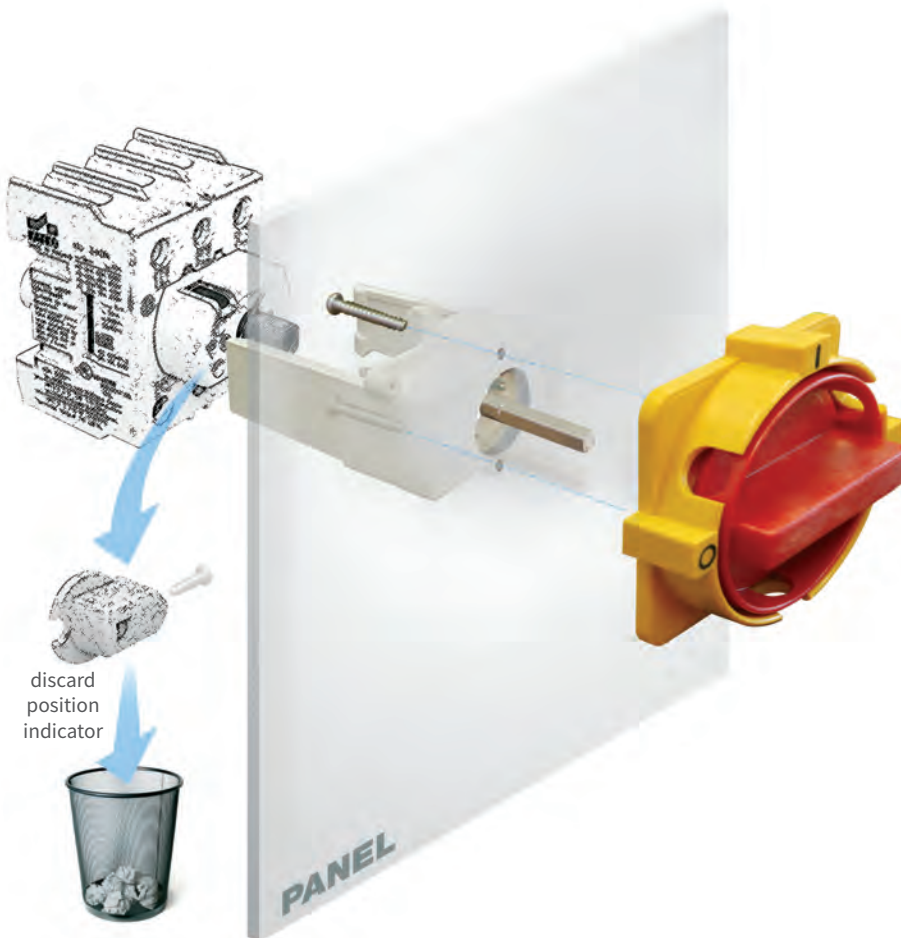
3. Remove position indicator from the switch if applicable. Press the shaft (L=43 mm) into the switch. Connect the wires to the terminals.



4. Turn the switch to off-position (0). Push the switch in place until the snap-on grips are firmly clipped on both sides of the switch.



WARNING:
Auxiliary contact may be broken if pushed on switch in on-position (1).



Mounting Kits for Motor Disconnect Switch

OKA/VKA for VKA Switches

Designed for fast and easy assembly. Kit includes handle, shaft, mounting hardware and drill template; it does not include motor disconnect switch.

| Cat. No. (Black Handle) | Cat. No. (Yellow/Red Handle) | No. of aux. switches | For use with |
|----------------------------|---------------------------------|-------------------------|-------------------|
| OKA/VKA 0.V | OKA/VKA 0.V Y/R | 0 | 3 Pole VKA switch |
| OKA/VKA 1.V | OKA/VKA 1.V Y/R | 1 | 3 Pole VKA switch |
| OKA/VKA 2.V | OKA/VKA 2.V Y/R | 2 | 3 Pole VKA switch |
| OKA/VKA4P 0.V | OKA/VKA4P 0.V Y/R | 0 | 4 Pole VKA switch |
| OKA/VKA4P 1.V | OKA/VKA4P 1.V Y/R | 1 | 4 Pole VKA switch |
| OKA/VKA4P 2.V | OKA/VKA4P 2.V Y/R | 2 | 4 Pole VKA switch |

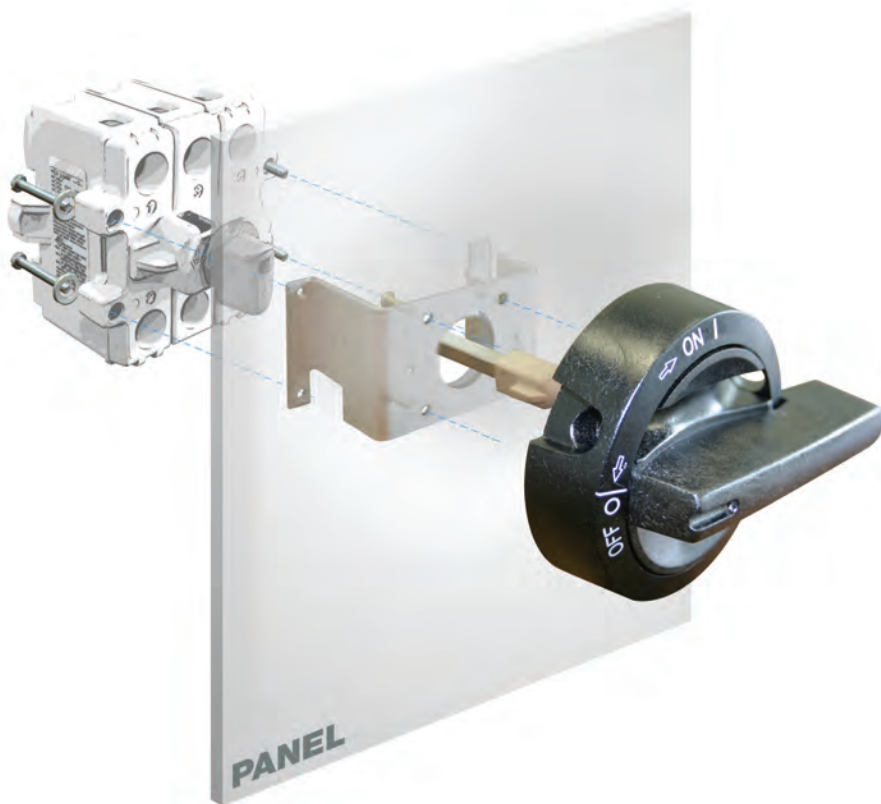
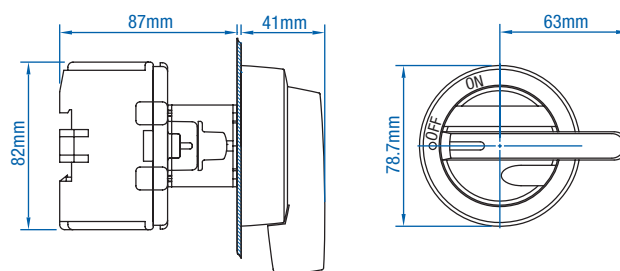
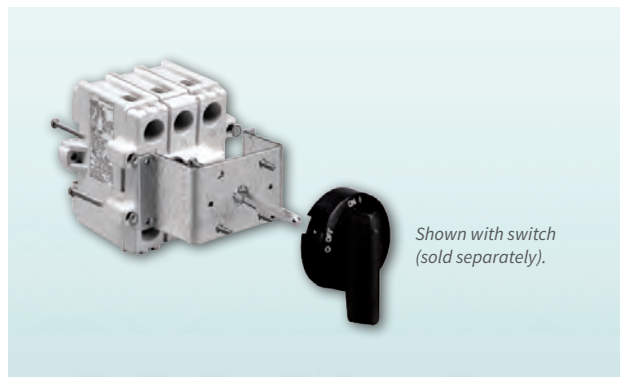
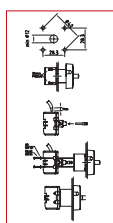
Environmental Rating (UL): NEMA Type 4X
(IEC): IP66



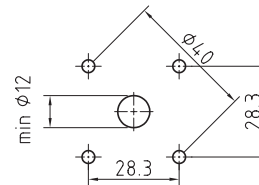
Lockable with up to 3 padlocks.



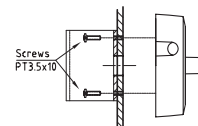
Drill
Template &
Instructions
Included



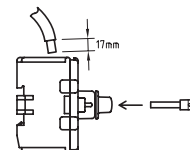
1. Drill the required holes in the door.



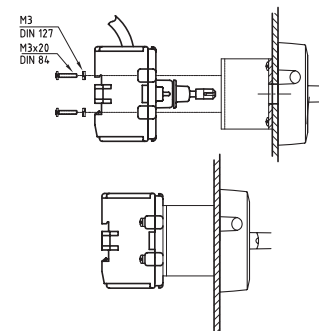
2. Fix the handle LK11 and the OKA door mounting kit to the door.



3. Press the shaft (L=52AD11) into the switch. Connect the wires to the terminals.



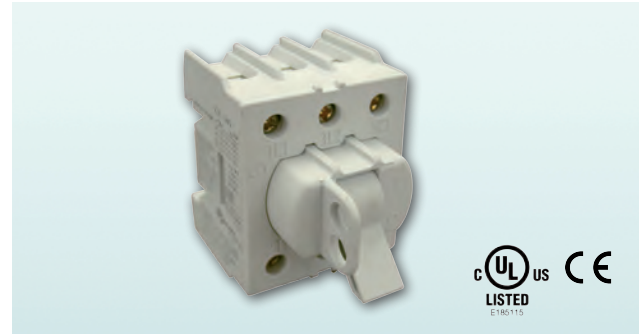
4. Fix the VKA-switch to the OKA plate.



KUE316

Specifications

| | | |
|--|---------------------|----------------|
| No. of Poles | 3 | |
| General Purpose Current | 16 A | |
| Maximum Voltage | 600V AC | |
| Motor FLA @ 480V AC | 14 A | |
| Motor FLA @ 600V AC | 9A | |
| Horsepower Rating /HP | 1 Phase | 3 Phase |
| 110-120V AC | 1 | 2 |
| 200V AC | 1.5 | 3 |
| 208V AC | 1.5 | 3 |
| 220-240V AC | 2 | 3 |
| 265V AC | - | 5 |
| 277V AC | - | 5 |
| 380-415V AC | - | 7.5 |
| 440-480V AC | - | 10 |
| 550-600V AC | - | 7.5 |
| Short Circuit Withstand Rating at 600 V with Max. | 10 kA | |
| Fuse Size/Class: | | |
| K5 | 30 A | |
| RK5 | 30 A | |
| RK1 | 60 A | |
| J | 80 A | |
| Terminal Size | 14-8 AWG | |
| Acceptability (Cu Conductors only, 75°C) | | |
| Terminal Torque | 16 lb. in. (1.8 Nm) | |
| Screw Head Type | No. 2 Pozidrive | |




Weight 0.172 kg (0.379 lb.) (3 pole)

Accessories

| | | |
|---------------------|-------------|--------|
| Cover Plate* | Color | Shape |
| K/KUE | Rectangular | Grey |
| K/KUE Y | Rectangular | Yellow |
| R/KUE | Circular | grey |
| R/KUE Y | Circular | Yellow |

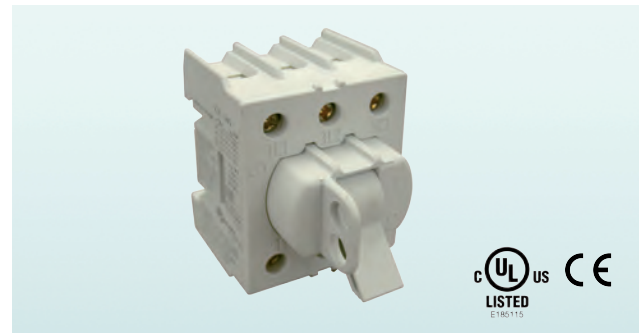
*IP20 touch proof with cover plate

 Lockable with 1 suitcase lock.

KUE325

Specifications

| | | |
|--|---------------------|----------------|
| No. of Poles | 3 | |
| General Purpose Current | 25 A | |
| Maximum Voltage | 600V AC | |
| Motor FLA @ 480V AC | 21 A | |
| Motor FLA @ 600V AC | 11 A | |
| Horsepower Rating /HP | 1 Phase | 3 Phase |
| 110-120V AC | 1.5 | 4 |
| 200V AC | 2 | 5 |
| 208V AC | 2 | 5 |
| 220-240V AC | 3 | 5 |
| 265V AC | - | 7.5 |
| 277V AC | - | 7.5 |
| 380-415V AC | - | 10 |
| 440-480V AC | - | 15 |
| 550-600V AC | - | 10 |
| Short Circuit Withstand Rating at 600 V with Max. | 10 kA | |
| Fuse Size/Class: | | |
| K5 | 30 A | |
| RK5 | 30 A | |
| RK1 | 60 A | |
| J | 80 A | |
| Terminal Size | 14-8 AWG | |
| Acceptability (Cu Conductors only, 75°C) | | |
| Terminal Torque | 16 lb. in. (1.8 Nm) | |
| Screw Head Type | No. 2 Pozidrive | |




Weight 0.172 kg (0.379 lb.) (3 pole)

Accessories

| | | |
|---------------------|-------------|--------|
| Cover Plate* | Color | Shape |
| K/KUE | Rectangular | Grey |
| K/KUE Y | Rectangular | Yellow |
| R/KUE | Circular | grey |
| R/KUE Y | Circular | Yellow |

*IP20 touch proof with cover plate

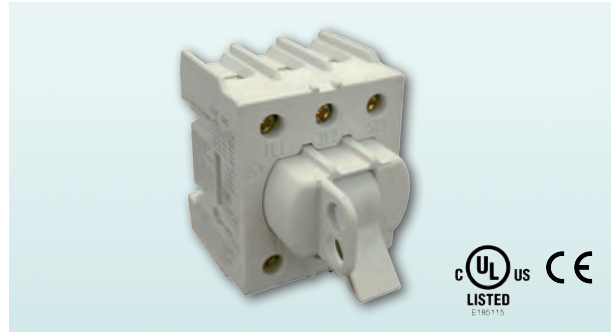
 Lockable with 1 suitcase lock.

Toggle Handle Motor Disconnect Switch

KUE340

Specifications

| | | |
|--|---------------------|----------------|
| No. of Poles | 3 | |
| General Purpose Current | 40 A | |
| Maximum Voltage | 600V AC | |
| Motor FLA @ 480V AC | 27 A | |
| Motor FLA @ 600V AC | 17 A | |
| Horsepower Rating /HP | 1 Phase | 3 Phase |
| 110-120V AC | 2 | 3 |
| 200V AC | 3 | 7.5 |
| 208V AC | 3 | 7.5 |
| 220-240V AC | 5 | 7.5 |
| 265V AC | - | 10 |
| 277V AC | - | 10 |
| 380-415V AC | - | 15 |
| 440-480V AC | - | 20 |
| 550-600V AC | - | 15 |
| Short Circuit Withstand Rating at 600 V with Max. | 10 kA | |
| Fuse Size/Class: | | |
| K5 | 30 A | |
| RK5 | 30 A | |
| RK1 | 60 A | |
| J | 80 A | |
| Terminal Size | | |
| Acceptability (Cu Conductors only, 75°C) | 12-4 AWG | |
| Terminal Torque | 16 lb. in. (1.8 Nm) | |
| Screw Head Type | No. 2 Pozidrive | |



Weight 0.200 kg (0.441 lb.) (3 pole)

Accessories

| Cover Plate* | Color | Shape |
|--------------|-------------|--------|
| K/KUE | Rectangular | Grey |
| K/KUE Y | Rectangular | Yellow |
| R/KUE | Circular | grey |
| R/KUE Y | Circular | Yellow |

*IP20 touch proof with cover plate

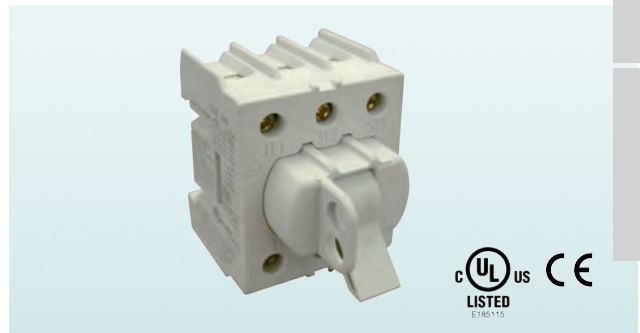


Lockable with 1 suitcase lock.

KUE363

Specifications

| | | |
|--|---------------------|----------------|
| No. of Poles | 3 | |
| General Purpose Current | 60 A | |
| Maximum Voltage | 600V AC | |
| Motor FLA @ 480V AC | 34 A | |
| Motor FLA @ 600V AC | 27 A | |
| Horsepower Rating /HP | 1 Phase | 3 Phase |
| 110-120V AC | 3 | 5 |
| 200V AC | 5 | 10 |
| 208V AC | 5 | 10 |
| 220-240V AC | 7.5 | 10 |
| 265V AC | - | 10 |
| 277V AC | - | 10 |
| 380-415V AC | - | 20 |
| 440-480V AC | - | 25 |
| 550-600V AC | - | 25 |
| Short Circuit Withstand Rating at 600 V with Max. | 10 kA | |
| Fuse Size/Class: | | |
| K5 | 30 A | |
| RK5 | 30 A | |
| RK1 | 60 A | |
| J | 100 A | |
| Terminal Size | | |
| Acceptability (Cu Conductors only, 75°C) | 12-4 AWG | |
| Terminal Torque | 16 lb. in. (1.8 Nm) | |
| Screw Head Type | No. 2 Pozidrive | |



Weight 0.200 kg (0.441 lb.) (3 pole)

Accessories

| Cover Plate* | Color | Shape |
|--------------|-------------|--------|
| K/KUE | Rectangular | Grey |
| K/KUE Y | Rectangular | Yellow |
| R/KUE | Circular | grey |
| R/KUE Y | Circular | Yellow |

*IP20 touch proof with cover plate



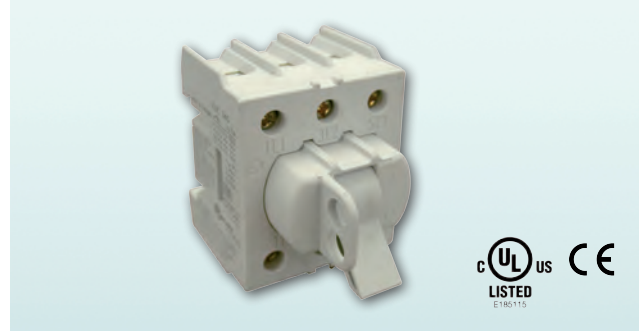
Lockable with 1 suitcase lock.



KUE380

Specifications

| | | |
|---|---------------------|----------------|
| No. of Poles | 3 | |
| General Purpose Current | 80 A | |
| Maximum Voltage | 600V AC | |
| Motor FLA @ 480V AC | 40 A | |
| Motor FLA @ 600V AC | 32 A | |
| Horsepower Rating /HP | 1 Phase | 3 Phase |
| 110-120V AC | 5 | 7.5 |
| 200V AC | 7.5 | 10 |
| 208V AC | 7.5 | 10 |
| 220-240V AC | 10 | 15 |
| 265V AC | - | 15 |
| 277V AC | - | 15 |
| 380-415V AC | - | 25 |
| 440-480V AC | - | 30 |
| 550-600V AC | - | 30 |
| Short Circuit Withstand Rating at 600 V with Max. Fuse Size/Class: | 10 kA | |
| K5 | 30 A | |
| RK5 | 30 A | |
| RK1 | 60 A | |
| J | 100 A | |
| Terminal Size | 12-4 AWG | |
| Acceptability (Cu Conductors only, 75°C) | 16 lb. in. (1.8 Nm) | |
| Terminal Torque | No. 2 Pozidrive | |




Weight 0.200 kg (0.441 lb.) (3 pole)

Accessories

| Cover Plate* | Color | Shape |
|--------------|-------------|--------|
| K/KUE | Rectangular | Grey |
| K/KUE Y | Rectangular | Yellow |
| R/KUE | Circular | grey |
| R/KUE Y | Circular | Yellow |

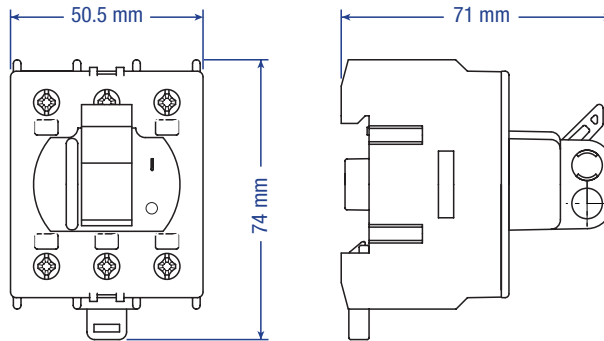
*IP20 touch proof with cover plate

 Lockable with 1 suitcase lock.

Dimensions

(to convert to inches multiply by 0.03937)

KUE3xx - 3 Pole

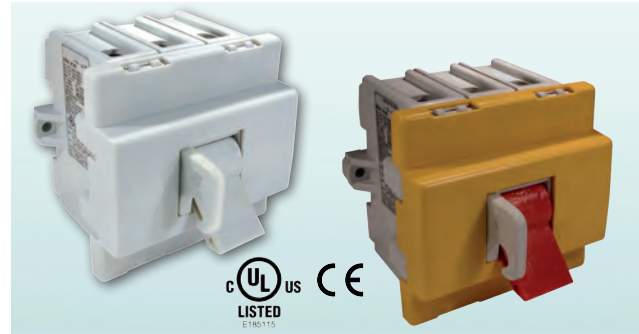


Toggle Handle Motor Disconnect Switch

EVA380

Specifications

| | | |
|---|---------------------|----------------|
| No. of Poles | 3 | |
| General Purpose Current | 80 A | |
| Maximum Voltage | 600V AC | |
| Motor FLA @ 480V AC | — | |
| Motor FLA @ 600V AC | 47 A | |
| Horsepower Rating /HP | 1 Phase | 3 Phase |
| 110-120V AC | 3 | 7.5 |
| 200V AC | 7.5 | 10 |
| 208V AC | 7.5 | 15 |
| 220-240V AC | 7.5 | 15 |
| 265V AC | 10 | 20 |
| 277V AC | 10 | 20 |
| 380-415V AC | 15 | 25 |
| 440-480V AC | 20 | 30 |
| 550-600V AC | 25 | 40 |
| Short Circuit Withstand Rating at 600 V with Max. Fuse Size/Class: | 10 kA | |
| K5 | 150 A | |
| RK5 | 150 A | |
| RK1 | — | |
| J | 200 A | |
| Terminal Size Acceptability (Cu Conductors only, 75°C) | 8-1/0 AWG | |
| Terminal Torque | 50 lb. in. (5.6 Nm) | |
| Screw Head Type | 5 mm Allen Key | |



Colors

White Cover/ White Handle
Yellow Cover/ Red Handle

Cat. No.

EVA380 + K/EVA
EVA380 + K/EVA Y/R

Weight

0.480 kg (1.058 lb.) (3 pole)



Lockable with 1 suitcase lock.

1

2

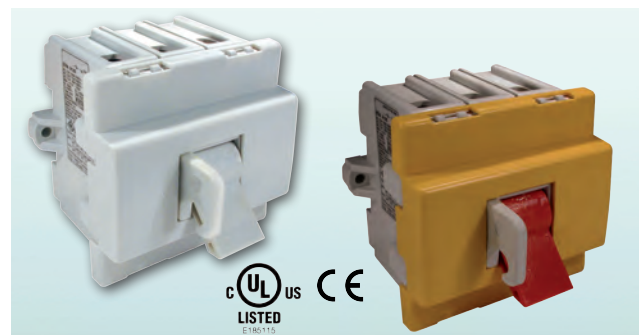
3

4

EVA3100

Specifications

| | | |
|---|---------------------|----------------|
| No. of Poles | 3 | |
| General Purpose Current | 100 A | |
| Maximum Voltage | 600V AC | |
| Motor FLA @ 480V AC | — | |
| Motor FLA @ 600V AC | 54 A | |
| Horsepower Rating /HP | 1 Phase | 3 Phase |
| 110-120V AC | 3 | 7.5 |
| 200V AC | 7.5 | 15 |
| 208V AC | 7.5 | 15 |
| 220-240V AC | 10 | 20 |
| 265V AC | 10 | 20 |
| 277V AC | 10 | 20 |
| 380-415V AC | 15 | 30 |
| 440-480V AC | 20 | 40 |
| 550-600V AC | 30 | 50 |
| Short Circuit Withstand Rating at 600 V with Max. Fuse Size/Class: | 10 kA | |
| K5 | 150 A | |
| RK5 | 150 A | |
| RK1 | — | |
| J | 200 A | |
| Terminal Size Acceptability (Cu Conductors only, 75°C) | 8-1/0 AWG | |
| Terminal Torque | 50 lb. in. (5.6 Nm) | |
| Screw Head Type | 5 mm Allen Key | |



Colors

White Cover/ White Handle
Yellow Cover/ Red Handle

Cat. No.

EVA3100 + K/EVA
EVA3100 + K/EVA Y/R

Weight

0.480 kg (1.058 lb.) (3 pole)



Lockable with 1 suitcase lock.

5

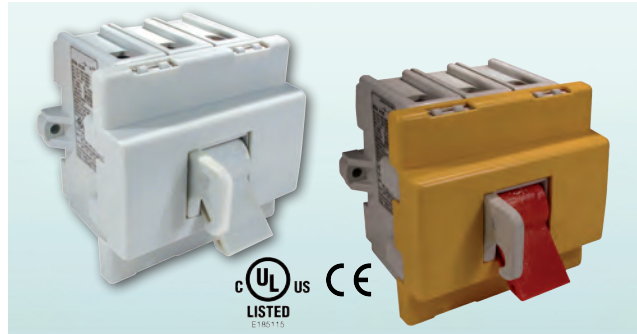
6



EVA3125

Specifications

| | | |
|--|---------------------|----------------|
| No. of Poles | 3 | |
| General Purpose Current | 125 A | |
| Maximum Voltage | 600V AC | |
| Motor FLA @ 480V AC | - | |
| Motor FLA @ 600V AC | 68 A | |
| Horsepower Rating /HP | 1 Phase | 3 Phase |
| 110-120V AC | 5 | 10 |
| 200V AC | 10 | 20 |
| 208V AC | 10 | 20 |
| 220-240V AC | 15 | 25 |
| 265V AC | 15 | 25 |
| 277V AC | 15 | 30 |
| 380-415V AC | 20 | 40 |
| 440-480V AC | 25 | 50 |
| 550-600V AC | 30 | 60 |
| Short Circuit Withstand Rating at 600 V with Max. | 10 kA | |
| Fuse Size/Class: | | |
| K5 | 150 A | |
| RK5 | 150 A | |
| RK1 | - | |
| J | 200 A | |
| Terminal Size Acceptability (Cu Conductors only, 75°C) | 8-1/0 AWG | |
| Terminal Torque | 50 lb. in. (5.6 Nm) | |
| Screw Head Type | 5 mm Allen Key | |



Colors

White Cover/ White Handle
Yellow Cover/ Red Handle

Cat. No.

EVA3125 + K/EVA
EVA3125 + K/EVA Y/R

Weight

0.480 kg (1.058 lb.) (3 pole)

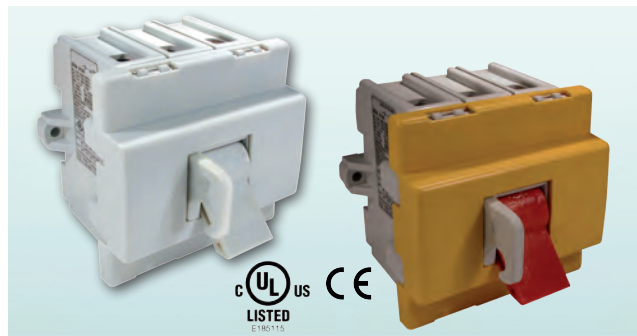


Lockable with 1 suitcase lock.

EVA3160

Specifications

| | | |
|--|---------------------|----------------|
| No. of Poles | 3 | |
| General Purpose Current | 150 A | |
| Maximum Voltage | 600V AC | |
| Motor FLA @ 480V AC | - | |
| Motor FLA @ 600V AC | 83 A | |
| Horsepower Rating /HP | 1 Phase | 3 Phase |
| 110-120V AC | 7.5 | 10 |
| 200V AC | 10 | 25 |
| 208V AC | 10 | 25 |
| 220-240V AC | 15 | 30 |
| 265V AC | 20 | 30 |
| 277V AC | 20 | 30 |
| 380-415V AC | 25 | 50 |
| 440-480V AC | 30 | 60 |
| 550-600V AC | 40 | 75 |
| Short Circuit Withstand Rating at 600 V with Max. | 10 kA | |
| Fuse Size/Class: | | |
| K5 | 150 A | |
| RK5 | 150 A | |
| RK1 | - | |
| J | 200 A | |
| Terminal Size Acceptability (Cu Conductors only, 75°C) | 8-1/0 AWG | |
| Terminal Torque | 50 lb. in. (5.6 Nm) | |
| Screw Head Type | 5 mm Allen Key | |



Colors

White Cover/ White Handle
Yellow Cover/ Red Handle

Cat. No.

EVA3160 + K/EVA
EVA3160 + K/EVA Y/R

Weight

0.480 kg (1.058 lb.) (3 pole)



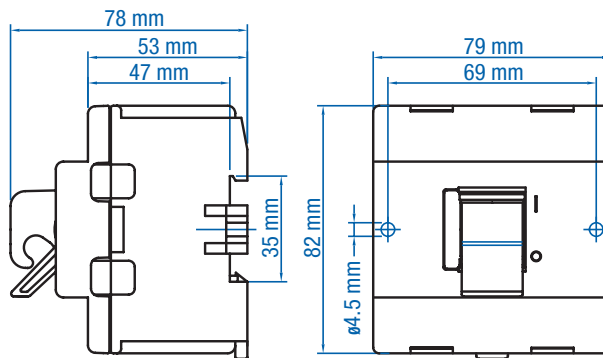
Lockable with 1 suitcase lock.

Toggle Handle Motor Disconnect Switch

Dimensions

(to convert to inches multiply by 0.03937)

KUE3xx - 3 Pole



**Special Black Toggle Handle
Motor Disconnect Switch**
EVA3100 + K/EVAB

1

2

3

4

5

6

KEM316UL

Specifications

| | | |
|--|---------------------|----------------|
| No. of Poles | 3 or 4 | |
| General Purpose Current | 16 A | |
| Maximum Voltage | 600V AC | |
| Motor FLA @ 480V AC | 14 A | |
| Motor FLA @ 600V AC | 9A | |
| Horsepower Rating /HP | 1 Phase | 3 Phase |
| 110-120V AC | 1 | 2 |
| 200V AC | 1.5 | 3 |
| 208V AC | 1.5 | 3 |
| 220-240V AC | 2 | 3 |
| 265V AC | - | 5 |
| 277V AC | - | 5 |
| 380-415V AC | - | 7.5 |
| 440-480V AC | - | 10 |
| 550-600V AC | - | 7.5 |
| Short Circuit Withstand Rating at 600 V with Max. | 10 kA | |
| Fuse Size/Class: | | |
| K5 | 30 A | |
| RK5 | 30 A | |
| RK1 | 60 A | |
| J | 80 A | |
| Terminal Size Acceptability (Cu Conductors only, 75°C) | 14-8 AWG | |
| Terminal Torque | 16 lb. in. (1.8 Nm) | |
| Screw Head Type | No. 2 Pozidrive | |
| Environmental Rating | NEMA Type 4X | |
| Enclosure Type Used | U2 | |



Features

- Can be used locally at the motor
- NEMA Type 4X
- IEC IP65 Protection Level
- UV resistant
- Resistant to many chemicals
- Lockable - Defeatable Handle

Colors

- Black Handle (3 pole)
- Yellow/ Red Handle (3 pole)
- Black Handle (4 pole)
- Yellow/ Red Handle (4 pole)

Cat. No.

- KEM316UL
- KEM316UL Y/R
- KEM416UL
- KEM416UL Y/R

Enclosure Size

U2

Weight

0.49 kg (1.08 lb.)

Accessories

Auxiliary Contact

KU1.V, KU2.V

KEM325UL

Specifications

| | | |
|--|---------------------|----------------|
| No. of Poles | 3 or 4 | |
| General Purpose Current | 25 A | |
| Maximum Voltage | 600V AC | |
| Motor FLA @ 480V AC | 21 A | |
| Motor FLA @ 600V AC | 11 A | |
| Horsepower Rating /HP | 1 Phase | 3 Phase |
| 110-120V AC | 1.5 | 3 |
| 200V AC | 2 | 5 |
| 208V AC | 2 | 5 |
| 220-240V AC | 3 | 5 |
| 265V AC | - | 7.5 |
| 277V AC | - | 7.5 |
| 380-415V AC | - | 10 |
| 440-480V AC | - | 15 |
| 550-600V AC | - | 10 |
| Short Circuit Withstand Rating at 600 V with Max. | 10 kA | |
| Fuse Size/Class: | | |
| K5 | 30 A | |
| RK5 | 30 A | |
| RK1 | 60 A | |
| J | 80 A | |
| Terminal Size Acceptability (Cu Conductors only, 75°C) | 14-8 AWG | |
| Terminal Torque | 16 lb. in. (1.8 Nm) | |
| Screw Head Type | No. 2 Pozidrive | |
| Environmental Rating | NEMA Type 4X | |
| Enclosure Type Used | U2 | |



Features

- Can be used locally at the motor
- NEMA Type 4X
- IEC IP65 Protection Level
- UV resistant
- Resistant to many chemicals
- Lockable - Defeatable Handle

Colors

- Black Handle (3 pole)
- Yellow/ Red Handle (3 pole)
- Black Handle (4 pole)
- Yellow/ Red Handle (4 pole)

Cat. No.

- KEM325UL
- KEM325UL Y/R
- KEM425UL
- KEM425UL Y/R

Enclosure Size

U2

Weight

0.49 kg (1.08 lb.)

Accessories

Auxiliary Contact

KU1.V, KU2.V

Polycarbonate Enclosed Motor Disconnect Switch

KEM340UL

Specifications

| | | |
|--|---------------------|----------------|
| No. of Poles | 3 or 4 | |
| General Purpose Current | 40 A | |
| Maximum Voltage | 600V AC | |
| Motor FLA @ 480V AC | 27 A | |
| Motor FLA @ 600V AC | 17 A | |
| Horsepower Rating /HP | 1 Phase | 3 Phase |
| 110-120V AC | 2 | 3 |
| 200V AC | 3 | 7.5 |
| 208V AC | 3 | 7.5 |
| 220-240V AC | 5 | 7.5 |
| 265V AC | - | 10 |
| 277V AC | - | 10 |
| 380-415V AC | - | 15 |
| 440-480V AC | - | 20 |
| 550-600V AC | - | 15 |
| Short Circuit Withstand Rating at 600 V with Max. | 10 kA | |
| Fuse Size/Class: | | |
| K5 | 30 A | |
| RK5 | 30 A | |
| RK1 | 60 A | |
| J | 80 A | |
| Terminal Size Acceptability (Cu Conductors only, 75°C) | 14-8 AWG | |
| Terminal Torque | 16 lb. in. (1.8 Nm) | |
| Screw Head Type | No. 2 Pozidrive | |
| Environmental Rating | NEMA Type 4X | |
| Enclosure Type Used | U3 | |



Features

- Can be used locally at the motor
- NEMA Type 4X
- IEC IP65 Protection Level
- UV resistant
- Resistant to many chemicals
- Lockable - Defeatable Handle

Colors

Black Handle (3 pole)
 Yellow/ Red Handle (3 pole)
 Black Handle (4 pole)
 Yellow/ Red Handle (4 pole)

Cat. No.

KEM340UL
 KEM340UL Y/R
 KEM440UL
 KEM440UL Y/R

Enclosure Size

U3

Weight

0.72 kg (1.587 lb.)

Accessories

Auxiliary Contact

KU1.V, KU2.V

KEM360UL

Specifications

| | | |
|--|---------------------|----------------|
| No. of Poles | 3 or 4 | |
| General Purpose Current | 60 A | |
| Maximum Voltage | 600V AC | |
| Motor FLA @ 480V AC | 34 A | |
| Motor FLA @ 600V AC | 27 A | |
| Horsepower Rating /HP | 1 Phase | 3 Phase |
| 110-120V AC | 3 | 5 |
| 200V AC | 5 | 10 |
| 208V AC | 5 | 10 |
| 220-240V AC | 7.5 | 10 |
| 265V AC | - | 10 |
| 277V AC | - | 10 |
| 380-415V AC | - | 20 |
| 440-480V AC | - | 25 |
| 550-600V AC | - | 25 |
| Short Circuit Withstand Rating at 600 V with Max. | 10 kA | |
| Fuse Size/Class: | | |
| K5 | 30 A | |
| RK5 | 30 A | |
| RK1 | 60 A | |
| J | 100 A | |
| Terminal Size Acceptability (Cu Conductors only, 75°C) | 12-4 AWG | |
| Terminal Torque | 16 lb. in. (1.8 Nm) | |
| Screw Head Type | No. 2 Pozidrive | |
| Environmental Rating | NEMA Type 4X | |
| Enclosure Type Used | U3 | |



Features

- Can be used locally at the motor
- NEMA Type 4X
- IEC IP65 Protection Level
- UV resistant
- Resistant to many chemicals
- Lockable - Defeatable Handle

Colors

Black Handle (3 pole)
 Yellow/ Red Handle (3 pole)
 Black Handle (4 pole)
 Yellow/ Red Handle (4 pole)

Cat. No.

KEM360UL
 KEM360UL Y/R
 KEM460UL
 KEM460 UL Y/R

Enclosure Size

U3

Weight

0.773 kg (1.698 lb.)

Accessories

Auxiliary Contact

KU1.V, KU2.V



KEM380CUL

Specifications

| | | |
|--|---------------------|----------------|
| No. of Poles | 3 or 4 | |
| General Purpose Current | 80 A | |
| Maximum Voltage | 600V AC | |
| Motor FLA @ 480V AC | 40 A | |
| Motor FLA @ 600V AC | 32 A | |
| Horsepower Rating /HP | 1 Phase | 3 Phase |
| 110-120V AC | 5 | 7.5 |
| 200V AC | 7.5 | 10 |
| 208V AC | 7.5 | 10 |
| 220-240V AC | 10 | 15 |
| 265V AC | - | 15 |
| 277V AC | - | 15 |
| 380-415V AC | - | 25 |
| 440-480V AC | - | 30 |
| 550-600V AC | - | 30 |
| Short Circuit Withstand Rating at 600 V with Max. | 10 kA | |
| Fuse Size/Class: | | |
| K5 | 30 A | |
| RK5 | 30 A | |
| RK1 | 60 A | |
| J | 100 A | |
| Terminal Size Acceptability (Cu Conductors only, 75°C) | 12-4 AWG | |
| Terminal Torque | 16 lb. in. (1.8 Nm) | |
| Screw Head Type | No. 2 Pozidrive | |
| Environmental Rating | NEMA Type 4X | |
| Enclosure Type Used | U3 | |



Features

- Can be used locally at the motor
- NEMA Type 4X
- IEC IP65 Protection Level
- UV resistant
- Resistant to many chemicals
- Lockable - Defeatable Handle

Colors

Black Handle (3 pole)
 Yellow/ Red Handle (3 pole)
 Black Handle (4 pole)
 Yellow/ Red Handle (4 pole)

Cat. No.

KEM380CUL
 KEM380CUL Y/R
 KEM480CUL
 KEM480CUL Y/R

Enclosure Size

U3

Weight

0.773 kg (1.698 lb.)

Accessories

Auxiliary Contact

KU1.V, KU2.V

KEM380UL

Specifications

| | | |
|--|---------------------|----------------|
| No. of Poles | 3 or 4 | |
| General Purpose Current | 80 A | |
| Maximum Voltage | 600V AC | |
| Motor FLA @ 480V AC | - | |
| Motor FLA @ 600V AC | 47 A | |
| Horsepower Rating /HP | 1 Phase | 3 Phase |
| 110-120V AC | 3 | 7.5 |
| 200V AC | 7.5 | 10 |
| 208V AC | 7.5 | 15 |
| 220-240V AC | 7.5 | 15 |
| 265V AC | 10 | 20 |
| 277V AC | 10 | 20 |
| 380-415V AC | 15 | 25 |
| 440-480V AC | 20 | 30 |
| 550-600V AC | 25 | 40 |
| Short Circuit Withstand Rating at 600 V with Max. | 10 kA | |
| Fuse Size/Class: | | |
| K5 | 150 A | |
| RK5 | 150 A | |
| RK1 | - | |
| J | 200 A | |
| Terminal Size Acceptability (Cu Conductors only, 75°C) | 8-1/ G | |
| Terminal Torque | 50 lb. in. (5.6 Nm) | |
| Screw Head Type | 5 mm Allen Key | |
| Environmental Rating | NEMA Type 4X | |
| Enclosure Type Used | U3 | |



Features

- Can be used locally at the motor
- NEMA Type 4X
- IEC IP65 Protection Level
- UV resistant
- Resistant to many chemicals
- Lockable - Defeatable Handle

Colors

Black Handle (3 pole)
 Yellow/ Red Handle (3 pole)
 Black Handle (4 pole)
 Yellow/ Red Handle (4 pole)

Cat. No.

KEM380UL
 KEM380UL Y/R
 KEM480UL
 KEM480UL Y/R

Enclosure Size

U3

Weight

1.021 kg (2.249 lb.)

Accessories

Auxiliary Contact

VKA1.V, VKA2.V

Polycarbonate Enclosed Motor Disconnect Switch

KEM3100L

Specifications

| | | |
|--|---------------------|----------------|
| No. of Poles | 3 or 4 | |
| General Purpose Current | 100 A | |
| Maximum Voltage | 600V AC | |
| Motor FLA @ 480V AC | - | |
| Motor FLA @ 600V AC | 54 A | |
| Horsepower Rating /HP | 1 Phase | 3 Phase |
| 110-120V AC | 3 | 7.5 |
| 200V AC | 7.5 | 15 |
| 208V AC | 7.5 | 15 |
| 220-240V AC | 10 | 20 |
| 265V AC | 10 | 20 |
| 277V AC | 10 | 20 |
| 380-415V AC | 15 | 30 |
| 440-480V AC | 20 | 40 |
| 550-600V AC | 30 | 50 |
| Short Circuit Withstand Rating at 600 V with Max. | 10 kA | |
| Fuse Size/Class: | | |
| K5 | 150 A | |
| RK5 | 150 A | |
| RK1 | - | |
| J | 200 A | |
| Terminal Size Acceptability (Cu Conductors only, 75°C) | 8-1/0 AWG | |
| Terminal Torque | 50 lb. in. (5.6 Nm) | |
| Screw Head Type | 5 mm Allen Key | |
| Environmental Rating | NEMA Type 4X | |
| Enclosure Type Used | MF10 | |



Features

- Can be used locally at the motor
- NEMA Type 4X
- IEC IP65 Protection Level
- UV resistant
- Resistant to many chemicals
- Lockable - Defeatable Handle

Colors

Black Handle (3 pole)
 Yellow/ Red Handle (3 pole)
 Black Handle (4 pole)
 Yellow/ Red Handle (4 pole)

Cat. No.

KEM4100L
 KEM4100L Y/R
 KEM4100L
 KEM4100L Y/R

Enclosure Size

MF10

Weight

1.9051 kg (4.2 lb.)

Accessories

Auxiliary Contact

VKA1.V, VKA2.V

KEM3125L

Specifications

| | | |
|--|---------------------|----------------|
| No. of Poles | 3 or 4 | |
| General Purpose Current | 125 A | |
| Maximum Voltage | 600V AC | |
| Motor FLA @ 480V AC | - | |
| Motor FLA @ 600V AC | 68 A | |
| Horsepower Rating /HP | 1 Phase | 3 Phase |
| 110-120V AC | 5 | 10 |
| 200V AC | 10 | 20 |
| 208V AC | 10 | 20 |
| 220-240V AC | 15 | 25 |
| 265V AC | 15 | 25 |
| 277V AC | 15 | 30 |
| 380-415V AC | 20 | 40 |
| 440-480V AC | 30 | 50 |
| 550-600V AC | 30 | 60 |
| Short Circuit Withstand Rating at 600 V with Max. | 10 kA | |
| Fuse Size/Class: | | |
| K5 | 150 A | |
| RK5 | 150 A | |
| RK1 | - | |
| J | 200 A | |
| Terminal Size Acceptability (Cu Conductors only, 75°C) | 8-1/0 AWG | |
| Terminal Torque | 50 lb. in. (5.6 Nm) | |
| Screw Head Type | 5 mm Allen Key | |
| Environmental Rating | NEMA Type 4X | |
| Enclosure Type Used | MF10 | |



Features

- Can be used locally at the motor
- NEMA Type 4X
- IEC IP65 Protection Level
- UV resistant
- Resistant to many chemicals
- Lockable - Defeatable Handle

Colors

Black Handle (3 pole)
 Yellow/ Red Handle (3 pole)
 Black Handle (4 pole)
 Yellow/ Red Handle (4 pole)

Cat. No.

KEM4125L
 KEM4125L Y/R
 KEM4125L
 KEM4125L Y/R

Enclosure Size

MF10

Weight

1.9051 kg (4.2 lb.)

Accessories

Auxiliary Contact

VKA1.V, VKA2.V



KEM3150L

Specifications

| | | |
|--|---------------------|----------------|
| No. of Poles | 3 or 4 | |
| General Purpose Current | 150 A | |
| Maximum Voltage | 600V AC | |
| Motor FLA @ 480V AC | - | |
| Motor FLA @ 600V AC | 83 A | |
| Horsepower Rating /HP | 1 Phase | 3 Phase |
| 110-120V AC | 7.5 | 10 |
| 200V AC | 10 | 25 |
| 208V AC | 10 | 25 |
| 220-240V AC | 15 | 30 |
| 265V AC | 20 | 30 |
| 277V AC | 20 | 30 |
| 380-415V AC | 25 | 50 |
| 440-480V AC | 30 | 60 |
| 550-600V AC | 40 | 75 |
| Short Circuit Withstand Rating at 600 V with Max. | 10 kA | |
| Fuse Size/Class: | | |
| K5 | 150 A | |
| RK5 | 150 A | |
| RK1 | - | |
| J | 200 A | |
| Terminal Size Acceptability (Cu Conductors only, 75°C) | 8-1/0 AWG | |
| Terminal Torque | 50 lb. in. (5.6 Nm) | |
| Screw Head Type | 5 mm Allen Key | |
| Environmental Rating | NEMA Type 4X | |
| Enclosure Type Used | MF11UL | |



Features

- Can be used locally at the motor
- NEMA Type 4X
- IEC IP65 Protection Level
- UV resistant
- Resistant to many chemicals
- Lockable - Defeatable Handle

Colors

- Black Handle (3 pole)
- Yellow/ Red Handle (3 pole)
- Black Handle (4 pole)
- Yellow/ Red Handle (4 pole)

Cat. No.

- KEM4150L
- KEM4150L Y/R
- KEM4150L
- KEM4150L Y/R

Enclosure Size

MF11UL

Weight

2.8351 kg (6.25 lb.)

Accessories

Auxiliary Contact

VKA1.V, VKA2.V

KKVM332, KKVM332CC, KKVM332 Y/R, KKVM332CC Y/R

Specifications

| | | |
|--|--------------------------|--|
| No. of Poles | 3 | |
| General Purpose Current | 80 A | |
| Maximum Voltage | 600V AC | |
| Motor FLA @ 480V AC | - | |
| Motor FLA @ 600V AC | 47 A | |
| Horsepower Rating /HP | | |
| 110-120V AC | | |
| 200V AC | | |
| 208V AC | | |
| 220-240V AC | Cat. No. | |
| 265V AC | KKVM 332 (Y/R) | |
| 277V AC | Fuse Type: 10x38, Midget | |
| 380-415V AC | KKVM 332CC (Y/R) | |
| 440-480V AC | Fuse Type: Class CC | |
| 550-600V AC | | |
| Short Circuit Withstand Rating at 600 V with Max. | 10 kA | |
| Fuse Size/Class: | | |
| K5 | 50 A | |
| RK5 | 50 A | |
| RK1 | 80 A | |
| J | 80 A | |
| Terminal Size Acceptability (Cu Conductors only, 75°C) | 14-8 AWG | |
| Terminal Torque | 16 lb. in. (1.8 Nm) | |
| Screw Head Type | No. 2 Pozidrive | |
| Environmental Rating | NEMA Type 4X | |
| Enclosure Type Used | U3 | |



Features

- Can be used locally at the motor
- NEMA Type 4X
- IEC IP65 Protection Level
- UV resistant
- Resistant to many chemicals
- Lockable - Defeatable Handle

Colors

- Black Handle (10x38, Midget fuse)
- Yellow/ Red Handle (10x38, Midget fuse)
- Black Handle (Class CC fuse)
- Yellow/ Red Handle (Class CC fuse)

Cat. No.

- KKVM332
- KKVM332 Y/R
- KKVM332CC
- KKVM332CC Y/R

Enclosure Size

U3

Weight

0.998 kg (2.2 lb.)

Accessories

Auxiliary Contact

KU1.V, KU2.V

UL98 Polycarbonate Enclosed Motor Disconnect Switch

KEM360UL98 and KEM360UL98 Y/R

Specifications

| | | |
|--|--------------------|----------------|
| No. of Poles | 3 | |
| General Purpose Current | 60 A | |
| Maximum Voltage | 600V AC | |
| Horsepower Rating /HP | 1 Phase | 3 Phase |
| 120V AC | 3 | - |
| 240V AC | 7.5 | 20 |
| 480V AC | - | 40 |
| 6000V AC | - | 60 |
| Short Circuit Withstand Rating at 600 V | 50 kA/60 A Class J | |
| Terminal Size Acceptability (Cu Conductors only, 75°C) | 8-1/0 AWG | |



Features

- Can be used locally at the motor
- NEMA Type 4X
- IEC IP65 Protection Level
- UV resistant
- Resistant to many chemicals
- Lockable - Defeatable Handle

Colors

Black Handle (3 pole)
Yellow/ Red Handle (3 pole)

Cat. No.

KEM360UL98
KEM360UL98 Y/R

Enclosure Size

MF10

Weight

2.4 kg (5.29 lb.)

Accessories

| | | | |
|--------------------|-------------------|------------------------|-------------|
| Auxiliary Switches | Cat. No. | 1.V160KU | 2.V160KU |
| | No. of Contacts | 1n.o./1n.c | 2n.o./2n.c. |
| | Electrical Rating | 16 A/1/2HP/125-250V AC | |

KEM460UL98 and KEM460UL98 Y/R

Specifications

| | | |
|--|--------------------|----------------|
| No. of Poles | 4 | |
| General Purpose Current | 60 A | |
| Maximum Voltage | 600V AC | |
| Horsepower Rating /HP | 1 Phase | 3 Phase |
| 120V AC | 3 | - |
| 240V AC | 7.5 | 20 |
| 480V AC | - | 40 |
| 6000V AC | - | 60 |
| Short Circuit Withstand Rating at 600 V | 50 kA/60 A Class J | |
| Terminal Size Acceptability (Cu Conductors only, 75°C) | 8-1/0 AWG | |



Features

- Can be used locally at the motor
- NEMA Type 4X
- IEC IP65 Protection Level
- UV resistant
- Resistant to many chemicals
- Lockable - Defeatable Handle

Colors

Black Handle (3 pole)
Yellow/ Red Handle (3 pole)

Cat. No.

KEM460UL98
KEM460UL98 Y/R

Enclosure Size

MF10

Weight

3.3 kg (7.28 lb.)

Accessories

| | | | |
|--------------------|-------------------|------------------------|-------------|
| Auxiliary Switches | Cat. No. | 1.V160KU | 2.V160KU |
| | No. of Contacts | 1n.o./1n.c | 2n.o./2n.c. |
| | Electrical Rating | 16 A/1/2HP/125-250V AC | |



KEM3100UL98 and KEM3100UL98 Y/R

Specifications

| | | |
|--|--------------------|----------------|
| No. of Poles | 3 | |
| General Purpose Current | 100 A | |
| Maximum Voltage | 600V AC | |
| Horsepower Rating /HP | 1 Phase | 3 Phase |
| 120V AC | 5 | - |
| 240V AC | 10 | 25 |
| 480V AC | - | 50 |
| 6000V AC | - | 75 |
| Short Circuit Withstand Rating at 600 V | 50 kA/60 A Class J | |
| Terminal Size Acceptability (Cu Conductors only, 75°C) | 8-1/0 AWG | |



Features

- Can be used locally at the motor
- UV resistant
- NEMA Type 4X
- Resistant to many chemicals
- IEC IP65 Protection Level
- Lockable - Defeatable Handle

Colors

Black Handle (3 pole)
 Yellow/ Red Handle (3 pole)

Cat. No.

KEM3100UL98
 KEM3100UL98 Y/R

Enclosure Size

MF11UL

Weight

2.5 kg (5.51 lb.)

Accessories

| | | | |
|--------------------|-------------------|------------------------|-------------|
| Auxiliary Switches | Cat. No. | 1.V160KU | 2.V160KU |
| | No. of Contacts | 1n.o./1n.c | 2n.o./2n.c. |
| | Electrical Rating | 16 A/1/2HP/125-250V AC | |

KEM4100UL98 and KEM4100UL98 Y/R

Specifications

| | | |
|--|--------------------|----------------|
| No. of Poles | 4 | |
| General Purpose Current | 100 A | |
| Maximum Voltage | 600V AC | |
| Horsepower Rating /HP | 1 Phase | 3 Phase |
| 120V AC | 5 | - |
| 240V AC | 10 | 25 |
| 480V AC | - | 50 |
| 6000V AC | - | 75 |
| Short Circuit Withstand Rating at 600 V | 50 kA/60 A Class J | |
| Terminal Size Acceptability (Cu Conductors only, 75°C) | 8-1/0 AWG | |



Features

- Can be used locally at the motor
- UV resistant
- NEMA Type 4X
- Resistant to many chemicals
- IEC IP65 Protection Level
- Lockable - Defeatable Handle

Colors

Black Handle (3 pole)
 Yellow/ Red Handle (3 pole)

Cat. No.

KEM4100UL98
 KEM4100UL98 Y/R

Enclosure Size

MF11UL

Weight

3.4 kg (7.50 lb.)

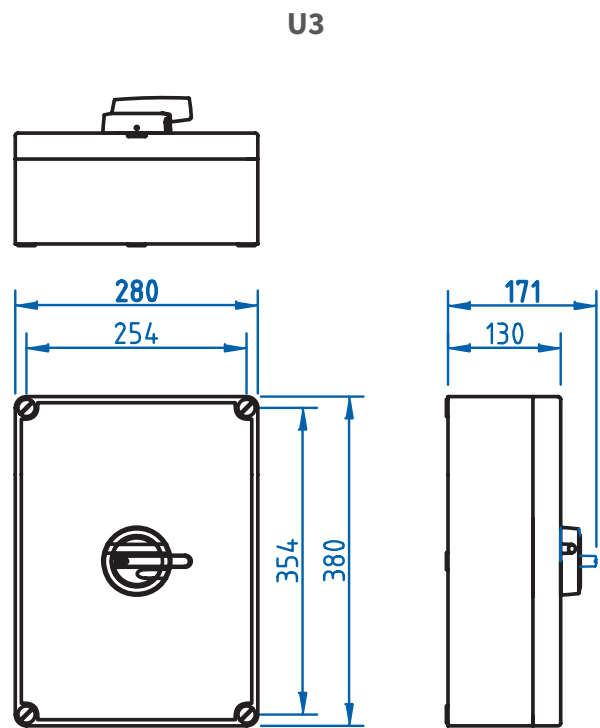
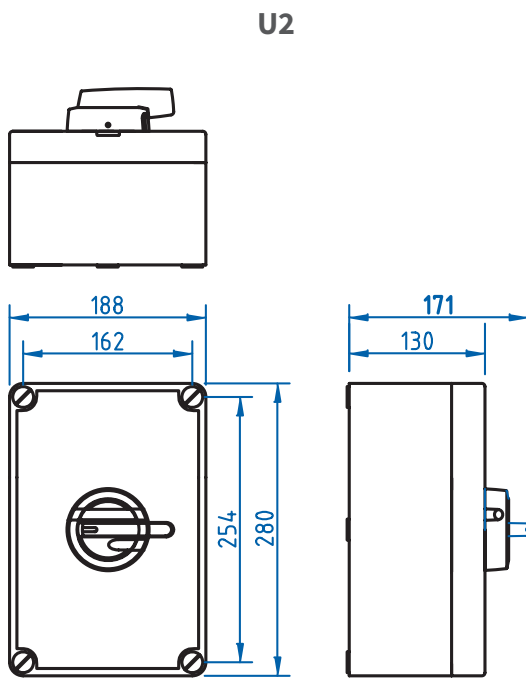
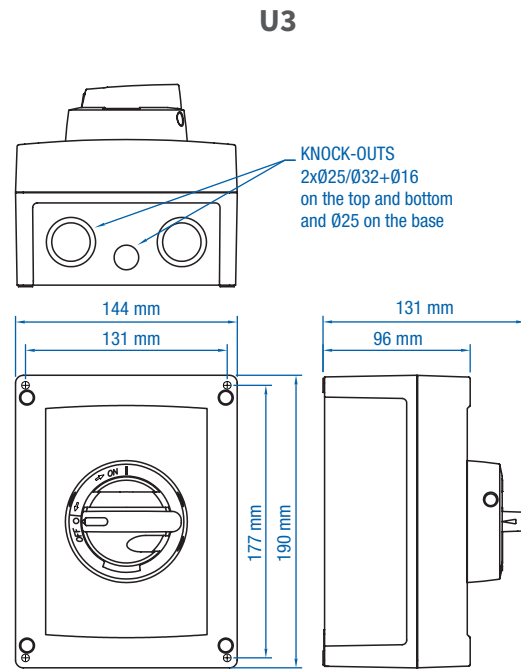
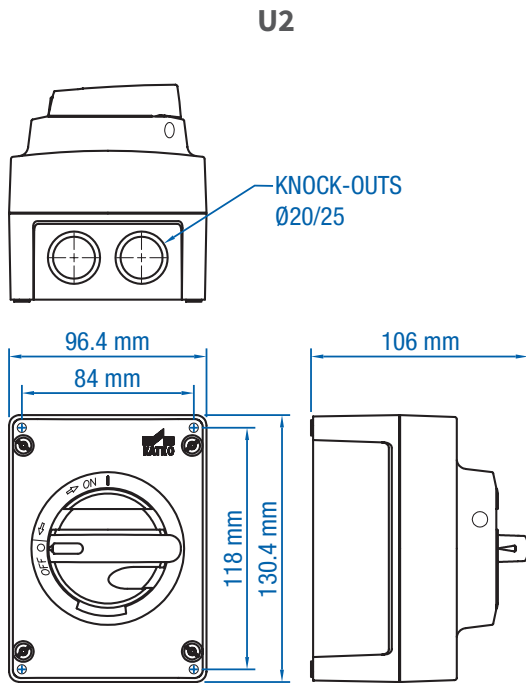
Accessories

| | | | |
|--------------------|-------------------|------------------------|-------------|
| Auxiliary Switches | Cat. No. | 1.V160KU | 2.V160KU |
| | No. of Contacts | 1n.o./1n.c | 2n.o./2n.c. |
| | Electrical Rating | 16 A/1/2HP/125-250V AC | |

Polycarbonate Enclosed Motor Disconnect Switch

Dimensions

(to convert to inches multiply by 0.03937)



Enclosure Cover Screw Installation (Additional Information)

| Enclosure | Screw Type | Torque |
|-----------|------------|-----------------------|
| U2 | Pz2 | 17.7 lb. in. (2 Nm) |
| U3 | Pz2 | 17.7 lb. in. (2 Nm) |
| MF10UL | PH2/1x7 | 13.3 lb. in. (1.5 Nm) |
| MF11UL | PH2/1x7 | 13.3 lb. in. (1.5 Nm) |



KEA316UL & KEA316UL Y/R

Specifications

| | | |
|--|---------------------|----------------|
| No. of Poles | 3 or 4 | |
| General Purpose Current | 16 A | |
| Maximum Voltage | 600V AC | |
| Motor FLA @ 480V AC | 14 A | |
| Motor FLA @ 600V AC | 9A | |
| Horsepower Rating /HP | 1 Phase | 3 Phase |
| 110-120V AC | 1 | 2 |
| 200V AC | 1.5 | 3 |
| 208V AC | 1.5 | 3 |
| 220-240V AC | 2 | 3 |
| 265V AC | - | 5 |
| 277V AC | - | 5 |
| 380-415V AC | - | 7.5 |
| 440-480V AC | - | 10 |
| 550-600V AC | - | 7.5 |
| Short Circuit Withstand Rating at 600 V with Max. | 10 kA | |
| Fuse Size/Class: | | |
| K5 | 30 A | |
| RK5 | 30 A | |
| RK1 | 60 A | |
| J | 80 A | |
| Terminal Size Acceptability (Cu Conductors only, 75°C) | 14-8 AWG | |
| Terminal Torque | 16 lb. in. (1.8 Nm) | |
| Screw Head Type | No. 2 Pozidrive | |
| Environmental Rating | NEMA Type 4X | |
| Enclosure Type Used | A2 | |



Features

- NEMA Type 4X
- IP66 Protection Level
- UV resistant
- Excellent in harsh weather conditions
- Resistant to many chemicals
- Lockable - Defeatable Handle

Colors

- Black Handle (3 pole)
- Yellow/ Red Handle (3 pole)
- Black Handle (4 pole)
- Yellow/ Red Handle (4 pole)

Cat. No.

- KEA316UL
- KEA316UL Y/R
- KEA416UL
- KEA416UL Y/R

Enclosure Size

A2

Weight

0.8 kg (1.76 lb.)

Accessories

Auxiliary Contact

KU1.V, KU2.V

KEA325UL & KEA325UL Y/R

Specifications

| | | |
|--|---------------------|----------------|
| No. of Poles | 3 or 4 | |
| General Purpose Current | 25 A | |
| Maximum Voltage | 600V AC | |
| Motor FLA @ 480V AC | 21 A | |
| Motor FLA @ 600V AC | 11 A | |
| Horsepower Rating /HP | 1 Phase | 3 Phase |
| 110-120V AC | 1.5 | 4 |
| 200V AC | 2 | 5 |
| 208V AC | 2 | 5 |
| 220-240V AC | 3 | 5 |
| 265V AC | - | 7.5 |
| 277V AC | - | 7.5 |
| 380-415V AC | - | 10 |
| 440-480V AC | - | 15 |
| 550-600V AC | - | 10 |
| Short Circuit Withstand Rating at 600 V with Max. | 10 kA | |
| Fuse Size/Class: | | |
| K5 | 30 A | |
| RK5 | 30 A | |
| RK1 | 60 A | |
| J | 80 A | |
| Terminal Size Acceptability (Cu Conductors only, 75°C) | 14-8 AWG | |
| Terminal Torque | 16 lb. in. (1.8 Nm) | |
| Screw Head Type | No. 2 Pozidrive | |
| Environmental Rating | NEMA Type 4X | |
| Enclosure Type Used | A2 | |



Features

- NEMA Type 4X
- IP66 Protection Level
- UV resistant
- Excellent in harsh weather conditions
- Resistant to many chemicals
- Lockable - Defeatable Handle

Colors

- Black Handle (3 pole)
- Yellow/ Red Handle (3 pole)
- Black Handle (4 pole)
- Yellow/ Red Handle (4 pole)

Cat. No.

- KEA325UL
- KEA325UL Y/R
- KEA425UL
- KEA425UL Y/R

Enclosure Size

A2

Weight

0.8 kg (1.76 lb.)

Accessories

Auxiliary Contact

KU1.V, KU2.V

Aluminum Enclosed Motor Disconnect Switch

KEA340UL & KEA340UL Y/R

Specifications

| | | |
|--|---------------------|----------------|
| No. of Poles | 3 or 4 | |
| General Purpose Current | 40 A | |
| Maximum Voltage | 600V AC | |
| Motor FLA @ 480V AC | 27 A | |
| Motor FLA @ 600V AC | 17 A | |
| Horsepower Rating /HP | 1 Phase | 3 Phase |
| 110-120V AC | 2 | 3 |
| 200V AC | 3 | 7.5 |
| 208V AC | 3 | 7.5 |
| 220-240V AC | 5 | 7.5 |
| 265V AC | - | 10 |
| 277V AC | - | 10 |
| 380-415V AC | - | 15 |
| 440-480V AC | - | 20 |
| 550-600V AC | - | 15 |
| Short Circuit Withstand Rating at 600 V with Max. | 10 kA | |
| Fuse Size/Class: | | |
| K5 | 30 A | |
| RK5 | 30 A | |
| RK1 | 60 A | |
| J | 80 A | |
| Terminal Size Acceptability (Cu Conductors only, 75°C) | 14-8 AWG | |
| Terminal Torque | 16 lb. in. (1.8 Nm) | |
| Screw Head Type | No. 2 Pozidrive | |
| Environmental Rating | NEMA Type 4X | |
| Enclosure Type Used | A2 | |



Features

- NEMA Type 4X
- IP66 Protection Level
- UV resistant
- Excellent in harsh weather conditions
- Resistant to many chemicals
- Lockable - Defeatable Handle

Colors

Black Handle (3 pole)
 Yellow/ Red Handle (3 pole)
 Black Handle (4 pole)
 Yellow/ Red Handle (4 pole)

Cat. No.

KEA340UL
 KEA340UL Y/R
 KEA440UL
 KEA440UL Y/R

Enclosure Size

A2

Weight

0.8 kg (1.76 lb.)

Accessories

Auxiliary Contact

KU1.V, KU2.V

KEA360UL & KEA360UL Y/R

Specifications

| | | |
|--|---------------------|----------------|
| No. of Poles | 3 or 4 | |
| General Purpose Current | 60 A | |
| Maximum Voltage | 600V AC | |
| Motor FLA @ 480V AC | 34 A | |
| Motor FLA @ 600V AC | 27 A | |
| Horsepower Rating /HP | 1 Phase | 3 Phase |
| 110-120V AC | 3 | 5 |
| 200V AC | 5 | 10 |
| 208V AC | 5 | 10 |
| 220-240V AC | 7.5 | 10 |
| 265V AC | - | 10 |
| 277V AC | - | 10 |
| 380-415V AC | - | 20 |
| 440-480V AC | - | 25 |
| 550-600V AC | - | 25 |
| Short Circuit Withstand Rating at 600 V with Max. | 10 kA | |
| Fuse Size/Class: | | |
| K5 | 30 A | |
| RK5 | 30 A | |
| RK1 | 60 A | |
| J | 100 A | |
| Terminal Size Acceptability (Cu Conductors only, 75°C) | 12-4 AWG | |
| Terminal Torque | 16 lb. in. (1.8 Nm) | |
| Screw Head Type | No. 2 Pozidrive | |
| Environmental Rating | NEMA Type 4X | |
| Enclosure Type Used | A3 | |



Features

- NEMA Type 4X
- IP66 Protection Level
- UV resistant
- Excellent in harsh weather conditions
- Resistant to many chemicals
- Lockable - Defeatable Handle

Colors

Black Handle (3 pole)
 Yellow/ Red Handle (3 pole)
 Black Handle (4 pole)
 Yellow/ Red Handle (4 pole)

Cat. No.

KEA360UL
 KEA360UL Y/R
 KEA460UL
 KEA460 UL Y/R

Enclosure Size

A3

Weight

2.0 kg (4.41 lb.)

Accessories

Auxiliary Contact

KU1.V, KU2.V



KEA380CUL & KEA380CUL Y/R

Specifications

| | | |
|--|---------------------|----------------|
| No. of Poles | 3 or 4 | |
| General Purpose Current | 80 A | |
| Maximum Voltage | 600V AC | |
| Motor FLA @ 480V AC | 40 A | |
| Motor FLA @ 600V AC | 32 A | |
| Horsepower Rating /HP | 1 Phase | 3 Phase |
| 110-120V AC | 5 | 7.5 |
| 200V AC | 7.5 | 10 |
| 208V AC | 7.5 | 10 |
| 220-240V AC | 10 | 15 |
| 265V AC | - | 15 |
| 277V AC | - | 15 |
| 380-415V AC | - | 25 |
| 440-480V AC | - | 30 |
| 550-600V AC | - | 30 |
| Short Circuit Withstand Rating at 600 V with Max. | 10 kA | |
| Fuse Size/Class: | | |
| K5 | 30 A | |
| RK5 | 30 A | |
| RK1 | 60 A | |
| J | 100 A | |
| Terminal Size Acceptability (Cu Conductors only, 75°C) | 12-4 AWG | |
| Terminal Torque | 16 lb. in. (1.8 Nm) | |
| Screw Head Type | No. 2 Pozidrive | |
| Environmental Rating | NEMA Type 4X | |
| Enclosure Type Used | A3 | |



Features

- NEMA Type 4X
- IP66 Protection Level
- UV resistant
- Excellent in harsh weather conditions
- Resistant to many chemicals
- Lockable - Defeatable Handle

Colors

- Black Handle (3 pole)
- Yellow/ Red Handle (3 pole)
- Black Handle (4 pole)
- Yellow/ Red Handle (4 pole)

Cat. No.

- KEA80UL
- KEA380UL Y/R
- KEA480UL
- KEA480UL Y/R

Enclosure Size

A3

Weight

2.3 kg (5.07 lb.)

Accessories

Auxiliary Contact

KU1.V, KU2.V

KEA380UL & KEA380UL Y/R

Specifications

| | | |
|--|---------------------|----------------|
| No. of Poles | 3 or 4 | |
| General Purpose Current | 80 A | |
| Maximum Voltage | 600V AC | |
| Motor FLA @ 480V AC | - | |
| Motor FLA @ 600V AC | 47 A | |
| Horsepower Rating /HP | 1 Phase | 3 Phase |
| 110-120V AC | 3 | 7.5 |
| 200V AC | 7.5 | 10 |
| 208V AC | 7.5 | 15 |
| 220-240V AC | 7.5 | 15 |
| 265V AC | 10 | 20 |
| 277V AC | 10 | 20 |
| 380-415V AC | 15 | 25 |
| 440-480V AC | 20 | 30 |
| 550-600V AC | 25 | 40 |
| Short Circuit Withstand Rating at 600 V with Max. | 10 kA | |
| Fuse Size/Class: | | |
| K5 | 150 A | |
| RK5 | 150 A | |
| RK1 | - | |
| J | 200 A | |
| Terminal Size Acceptability (Cu Conductors only, 75°C) | 8-1/0 AWG | |
| Terminal Torque | 50 lb. in. (5.6 Nm) | |
| Screw Head Type | 5 mm Allen Key | |
| Environmental Rating | NEMA Type 4X | |
| Enclosure Type Used | A3 | |



Features

- NEMA Type 4X
- IP66 Protection Level
- UV resistant
- Excellent in harsh weather conditions
- Resistant to many chemicals
- Lockable - Defeatable Handle

Colors

- Black Handle (3 pole)
- Yellow/ Red Handle (3 pole)
- Black Handle (4 pole)
- Yellow/ Red Handle (4 pole)

Cat. No.

- KEA380UL
- KEA380UL Y/R
- KEA480UL
- KEA480UL Y/R

Enclosure Size

A3

Weight

2.3 kg (5.07 lb.)

Accessories

Auxiliary Contact

VKA1.V, VKA2.V

Aluminum Enclosed Motor Disconnect Switch

KEA3100UL & KEA3100UL Y/R

Specifications

| | | |
|--|---------------------|----------------|
| No. of Poles | 3 or 4 | |
| General Purpose Current | 100 A | |
| Maximum Voltage | 600V AC | |
| Motor FLA @ 480V AC | - | |
| Motor FLA @ 600V AC | 54 A | |
| Horsepower Rating /HP | 1 Phase | 3 Phase |
| 110-120V AC | 3 | 7.5 |
| 200V AC | 7.5 | 15 |
| 208V AC | 7.5 | 15 |
| 220-240V AC | 10 | 20 |
| 265V AC | 10 | 20 |
| 277V AC | 10 | 20 |
| 380-415V AC | 15 | 30 |
| 440-480V AC | 20 | 40 |
| 550-600V AC | 30 | 50 |
| Short Circuit Withstand Rating at 600 V with Max. | 10 kA | |
| Fuse Size/Class: | | |
| K5 | 150 A | |
| RK5 | 150 A | |
| RK1 | - | |
| J | 200 A | |
| Terminal Size Acceptability (Cu Conductors only, 75°C) | 8-1/0 AWG | |
| Terminal Torque | 50 lb. in. (5.6 Nm) | |
| Screw Head Type | 5 mm Allen Key | |
| Environmental Rating | NEMA Type 4X | |
| Enclosure Type Used | A3 | |



Features

- NEMA Type 4X
- IP66 Protection Level
- UV resistant
- Excellent in harsh weather conditions
- Resistant to many chemicals
- Lockable - Defeatable Handle

Colors

- Black Handle (3 pole)
- Yellow/ Red Handle (3 pole)
- Black Handle (4 pole)
- Yellow/ Red Handle (4 pole)

Cat. No.

- KEA3110UL
- KEA3110UL Y/R
- KEA4110UL
- KEA4110UL Y/R

Enclosure Size

A3

Weight

2.3 kg (5.07 lb.)

Accessories

Auxiliary Contact

VKA1.V, VKA2.V

KEA3125UL & KEA3125UL Y/R

Specifications

| | | |
|--|---------------------|----------------|
| No. of Poles | 3 or 4 | |
| General Purpose Current | 125 A | |
| Maximum Voltage | 600V AC | |
| Motor FLA @ 480V AC | - | |
| Motor FLA @ 600V AC | 68 A | |
| Horsepower Rating /HP | 1 Phase | 3 Phase |
| 110-120V AC | 5 | 10 |
| 200V AC | 10 | 20 |
| 208V AC | 10 | 20 |
| 220-240V AC | 15 | 25 |
| 265V AC | 15 | 25 |
| 277V AC | 15 | 30 |
| 380-415V AC | 20 | 40 |
| 440-480V AC | 30 | 50 |
| 550-600V AC | 30 | 60 |
| Short Circuit Withstand Rating at 600 V with Max. | 10 kA | |
| Fuse Size/Class: | | |
| K5 | 150 A | |
| RK5 | 150 A | |
| RK1 | - | |
| J | 200 A | |
| Terminal Size Acceptability (Cu Conductors only, 75°C) | 8-1/0 AWG | |
| Terminal Torque | 50 lb. in. (5.6 Nm) | |
| Screw Head Type | 5 mm Allen Key | |
| Environmental Rating | NEMA Type 4X | |
| Enclosure Type Used | A3 | |



Features

- NEMA Type 4X
- IP66 Protection Level
- UV resistant
- Excellent in harsh weather conditions
- Resistant to many chemicals
- Lockable - Defeatable Handle

Colors

- Black Handle (3 pole)
- Yellow/ Red Handle (3 pole)
- Black Handle (4 pole)
- Yellow/ Red Handle (4 pole)

Cat. No.

- KEA4125UL
- KEA4125UL Y/R
- KEA4125UL
- KEA4125UL Y/R

Enclosure Size

A3

Weight

2.3 kg (5.07 lb.)

Accessories

Auxiliary Contact

VKA1.V, VKA2.V

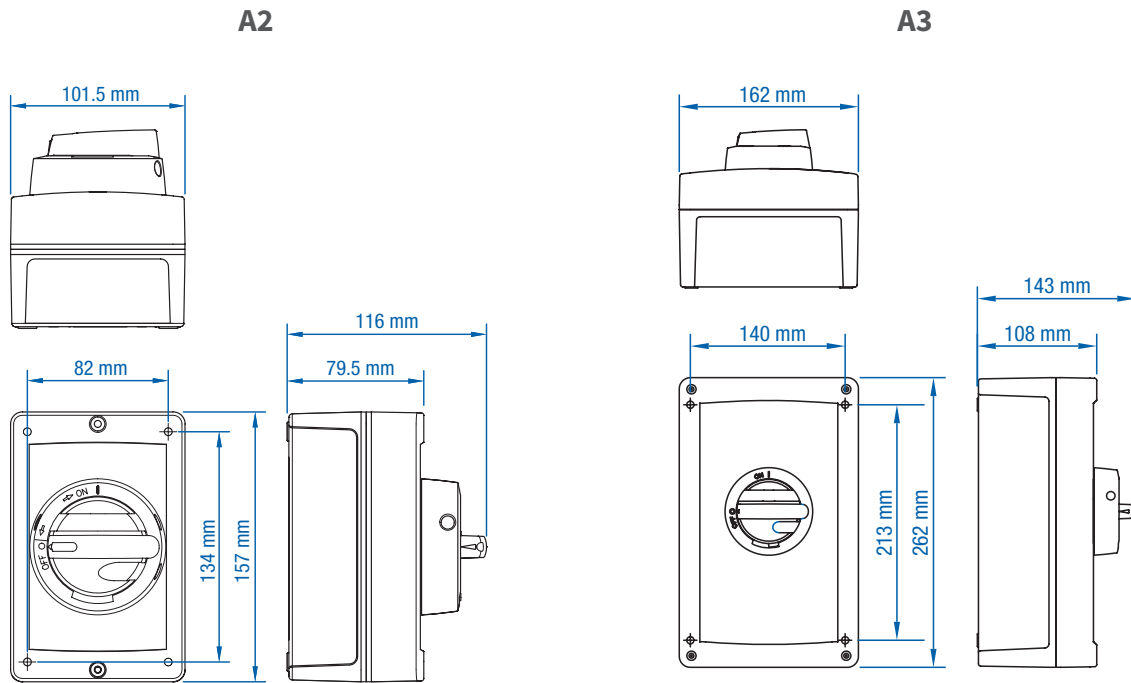


www.waltherelectric.com

45

Dimensions

(to convert to inches multiply by 0.03937)



Enclosure Cover Screw Installation (Additional Information)

| Enclosure | Screw Type | Torque |
|-----------|------------|---------------------|
| A2 | Pz2 | 17.7 lb. in. (2 Nm) |
| A3 | Pz2 | 17.7 lb. in. (2 Nm) |

Sheet Metal Enclosed Motor Disconnect Switch

KET316UL & KET316UL Y/R

Specifications

| | | |
|--|---------------------|----------------|
| No. of Poles | 3 or 4 | |
| General Purpose Current | 16 A | |
| Maximum Voltage | 600V AC | |
| Motor FLA @ 480V AC | 14 A | |
| Motor FLA @ 600V AC | 9A | |
| Horsepower Rating /HP | 1 Phase | 3 Phase |
| 110-120V AC | 1 | 2 |
| 200V AC | 1.5 | 3 |
| 208V AC | 1.5 | 3 |
| 220-240V AC | 2 | 3 |
| 265V AC | - | 5 |
| 277V AC | - | 5 |
| 380-415V AC | - | 7.5 |
| 440-480V AC | - | 10 |
| 550-600V AC | - | 7.5 |
| Short Circuit Withstand Rating at 600 V with Max. | 10 kA | |
| Fuse Size/Class: | | |
| K5 | 30 A | |
| RK5 | 30 A | |
| RK1 | 60 A | |
| J | 80 A | |
| Terminal Size Acceptability (Cu Conductors only, 75°C) | 14-8 AWG | |
| Terminal Torque | 16 lb. in. (1.8 Nm) | |
| Screw Head Type | No. 2 Pozidrive | |
| Environmental Rating | NEMA Type 4X | |
| Enclosure Type Used | TR007 | |



Features

- NEMA Type 4X
- IP66 Protection Level
- Corrosion and UV resistant
- Excellent in harsh weather conditions
- Resistant to many chemicals
- Lockable - Defeatable Handle

Colors

Black Handle (3 pole)
Yellow/ Red Handle (3 pole)
Black Handle (4 pole)
Yellow/ Red Handle (4 pole)

Cat. No.

KET316UL
KET16UL Y/R
KET416UL
KET416UL Y/R

Enclosure Size

TR007

Weight

2.1 kg (4.63 lb.)

Accessories

Auxiliary Contact

KU1.V, KU2.V

KET325UL & KET325UL Y/R

Specifications

| | | |
|--|---------------------|----------------|
| No. of Poles | 3 or 4 | |
| General Purpose Current | 25 A | |
| Maximum Voltage | 600V AC | |
| Motor FLA @ 480V AC | 21 A | |
| Motor FLA @ 600V AC | 11 A | |
| Horsepower Rating /HP | 1 Phase | 3 Phase |
| 110-120V AC | 1.5 | 4 |
| 200V AC | 2 | 5 |
| 208V AC | 2 | 5 |
| 220-240V AC | 3 | 5 |
| 265V AC | - | 7.5 |
| 277V AC | - | 7.5 |
| 380-415V AC | - | 10 |
| 440-480V AC | - | 15 |
| 550-600V AC | - | 10 |
| Short Circuit Withstand Rating at 600 V with Max. | 10 kA | |
| Fuse Size/Class: | | |
| K5 | 30 A | |
| RK5 | 30 A | |
| RK1 | 60 A | |
| J | 80 A | |
| Terminal Size Acceptability (Cu Conductors only, 75°C) | 14-8 AWG | |
| Terminal Torque | 16 lb. in. (1.8 Nm) | |
| Screw Head Type | No. 2 Pozidrive | |
| Environmental Rating | NEMA Type 4X | |
| Enclosure Type Used | TR007 | |



Features

- NEMA Type 4X
- IP66 Protection Level
- Corrosion and UV resistant
- Excellent in harsh weather conditions
- Resistant to many chemicals
- Lockable - Defeatable Handle

Colors

Black Handle (3 pole)
Yellow/ Red Handle (3 pole)
Black Handle (4 pole)
Yellow/ Red Handle (4 pole)

Cat. No.

KET325UL
KET325UL Y/R
KET425UL
KET425UL Y/R

Enclosure Size

TR007

Weight

2.1 kg (4.63 lb.)

Accessories

Auxiliary Contact

KU1.V, KU2.V



KET340UL & KET340UL Y/R

Specifications

| | | |
|--|---------------------|----------------|
| No. of Poles | 3 or 4 | |
| General Purpose Current | 40 A | |
| Maximum Voltage | 600V AC | |
| Motor FLA @ 480V AC | 27 A | |
| Motor FLA @ 600V AC | 17 A | |
| Horsepower Rating /HP | 1 Phase | 3 Phase |
| 110-120V AC | 2 | 3 |
| 200V AC | 3 | 7.5 |
| 208V AC | 3 | 7.5 |
| 220-240V AC | 5 | 7.5 |
| 265V AC | - | 10 |
| 277V AC | - | 10 |
| 380-415V AC | - | 15 |
| 440-480V AC | - | 20 |
| 550-600V AC | - | 15 |
| Short Circuit Withstand Rating at 600 V with Max. | 10 kA | |
| Fuse Size/Class: | | |
| K5 | 30 A | |
| RK5 | 30 A | |
| RK1 | 60 A | |
| J | 80 A | |
| Terminal Size Acceptability (Cu Conductors only, 75°C) | 14-8 AWG | |
| Terminal Torque | 16 lb. in. (1.8 Nm) | |
| Screw Head Type | No. 2 Pozidrive | |
| Environmental Rating | NEMA Type 4X | |
| Enclosure Type Used | TR007 | |



Features

- NEMA Type 4X
- IP66 Protection Level
- Corrosion and UV resistant
- Excellent in harsh weather conditions
- Resistant to many chemicals
- Lockable - Defeatable Handle

Colors

- Black Handle (3 pole)
- Yellow/ Red Handle (3 pole)
- Black Handle (4 pole)
- Yellow/ Red Handle (4 pole)

Cat. No.

- KET406UL
- KET340UL Y/R
- KET406UL
- KET440UL Y/R

Enclosure Size

TR007

Weight

2.1 kg (4.63 lb.)

Accessories

Auxiliary Contact

KU1.V, KU2.V

KET360UL & KET360UL Y/R

Specifications

| | | |
|--|---------------------|----------------|
| No. of Poles | 3 or 4 | |
| General Purpose Current | 60 A | |
| Maximum Voltage | 600V AC | |
| Motor FLA @ 480V AC | 34 A | |
| Motor FLA @ 600V AC | 27 A | |
| Horsepower Rating /HP | 1 Phase | 3 Phase |
| 110-120V AC | 3 | 5 |
| 200V AC | 5 | 10 |
| 208V AC | 5 | 10 |
| 220-240V AC | 7.5 | 10 |
| 265V AC | - | 10 |
| 277V AC | - | 10 |
| 380-415V AC | - | 20 |
| 440-480V AC | - | 25 |
| 550-600V AC | - | 25 |
| Short Circuit Withstand Rating at 600 V with Max. | 10 kA | |
| Fuse Size/Class: | | |
| K5 | 30 A | |
| RK5 | 30 A | |
| RK1 | 60 A | |
| J | 100 A | |
| Terminal Size Acceptability (Cu Conductors only, 75°C) | 12-4 AWG | |
| Terminal Torque | 16 lb. in. (1.8 Nm) | |
| Screw Head Type | No. 2 Pozidrive | |
| Environmental Rating | NEMA Type 4X | |
| Enclosure Type Used | TR01 | |



Features

- NEMA Type 4X
- IP66 Protection Level
- Corrosion and UV resistant
- Excellent in harsh weather conditions
- Resistant to many chemicals
- Lockable - Defeatable Handle

Colors

- Black Handle (3 pole)
- Yellow/ Red Handle (3 pole)
- Black Handle (4 pole)
- Yellow/ Red Handle (4 pole)

Cat. No.

- KEM360UL
- KEM360UL Y/R
- KEM460UL
- KEM460UL Y/R

Enclosure Size

TR01

Weight

4.0 kg (8.82 lb.)

Accessories

Auxiliary Contact

KU1.V, KU2.V

Sheet Metal Enclosed Motor Disconnect Switch

KET380CUL & KET380CUL Y/R

Specifications

| | | |
|--|---------------------|----------------|
| No. of Poles | 3 or 4 | |
| General Purpose Current | 80 A | |
| Maximum Voltage | 600V AC | |
| Motor FLA @ 480V AC | 40 A | |
| Motor FLA @ 600V AC | 32 A | |
| Horsepower Rating /HP | 1 Phase | 3 Phase |
| 110-120V AC | 5 | 7.5 |
| 200V AC | 7.5 | 10 |
| 208V AC | 7.5 | 10 |
| 220-240V AC | 10 | 15 |
| 265V AC | - | 15 |
| 277V AC | - | 15 |
| 380-415V AC | - | 25 |
| 440-480V AC | - | 30 |
| 550-600V AC | - | 30 |
| Short Circuit Withstand Rating at 600 V with Max. | 10 kA | |
| Fuse Size/Class: | | |
| K5 | 30 A | |
| RK5 | 30 A | |
| RK1 | 60 A | |
| J | 100 A | |
| Terminal Size Acceptability (Cu Conductors only, 75°C) | 12-4 AWG | |
| Terminal Torque | 16 lb. in. (1.8 Nm) | |
| Screw Head Type | No. 2 Pozidrive | |
| Environmental Rating | NEMA Type 4X | |
| Enclosure Type Used | TR01 | |



Features

- NEMA Type 4X
- IP66 Protection Level
- Corrosion and UV resistant
- Excellent in harsh weather conditions
- Resistant to many chemicals
- Lockable - Defeatable Handle

Colors

- Black Handle (3 pole)
- Yellow/ Red Handle (3 pole)
- Black Handle (4 pole)
- Yellow/ Red Handle (4 pole)

Cat. No.

- KET380CUL
- KET380CUL Y/R
- KET480CUL
- KET480CUL Y/R

Enclosure Size

TR01

Weight

4.3 kg (9.48 lb.)

Accessories

Auxiliary Contact

VKA1.V, VKA2.V

KET380UL & KET380UL Y/R

Specifications

| | | |
|--|---------------------|----------------|
| No. of Poles | 3 or 4 | |
| General Purpose Current | 80 A | |
| Maximum Voltage | 600V AC | |
| Motor FLA @ 480V AC | - | |
| Motor FLA @ 600V AC | 47 A | |
| Horsepower Rating /HP | 1 Phase | 3 Phase |
| 110-120V AC | 3 | 7.5 |
| 200V AC | 7.5 | 10 |
| 208V AC | 7.5 | 15 |
| 220-240V AC | 7.5 | 15 |
| 265V AC | 10 | 20 |
| 277V AC | 10 | 20 |
| 380-415V AC | 15 | 25 |
| 440-480V AC | 20 | 30 |
| 550-600V AC | 25 | 40 |
| Short Circuit Withstand Rating at 600 V with Max. | 10 kA | |
| Fuse Size/Class: | | |
| K5 | 150 A | |
| RK5 | 150 A | |
| RK1 | - | |
| J | 200 A | |
| Terminal Size Acceptability (Cu Conductors only, 75°C) | 8-1/0 AWG | |
| Terminal Torque | 50 lb. in. (5.6 Nm) | |
| Screw Head Type | 5 mm Allen Key | |
| Environmental Rating | NEMA Type 4X | |
| Enclosure Type Used | TR01 | |



Features

- NEMA Type 4X
- IP66 Protection Level
- Corrosion and UV resistant
- Excellent in harsh weather conditions
- Resistant to many chemicals
- Lockable - Defeatable Handle

Colors

- Black Handle (3 pole)
- Yellow/ Red Handle (3 pole)
- Black Handle (4 pole)
- Yellow/ Red Handle (4 pole)

Cat. No.

- KEM360UL
- KEM360UL Y/R
- KEM460UL
- KEM460 UL Y/R

Enclosure Size

TR01

Weight

4.3 kg (9.48 lb.)

Accessories

Auxiliary Contact

VKA1.V, VKA2.V



KET3100UL & KET3100UL Y/R

Specifications

| | | |
|--|---------------------|----------------|
| No. of Poles | 3 or 4 | |
| General Purpose Current | 100 A | |
| Maximum Voltage | 600V AC | |
| Motor FLA @ 480V AC | - | |
| Motor FLA @ 600V AC | 54 A | |
| Horsepower Rating /HP | 1 Phase | 3 Phase |
| 110-120V AC | 3 | 7.5 |
| 200V AC | 7.5 | 15 |
| 208V AC | 7.5 | 15 |
| 220-240V AC | 10 | 20 |
| 265V AC | 10 | 20 |
| 277V AC | 10 | 20 |
| 380-415V AC | 15 | 30 |
| 440-480V AC | 20 | 40 |
| 550-600V AC | 30 | 50 |
| Short Circuit Withstand Rating at 600 V with Max. | 10 kA | |
| Fuse Size/Class: | | |
| K5 | 150 A | |
| RK5 | 150 A | |
| RK1 | - | |
| J | 200 A | |
| Terminal Size Acceptability (Cu Conductors only, 75°C) | 8-1/0 AWG | |
| Terminal Torque | 50 lb. in. (5.6 Nm) | |
| Screw Head Type | 5 mm Allen Key | |
| Environmental Rating | NEMA Type 4X | |
| Enclosure Type Used | TR01 | |



Features

- Can be used locally at the motor
- UV resistant
- NEMA Type 4X
- Resistant to many chemicals
- IEC IP65 Protection Level
- Lockable - Defeatable Handle

Colors

- Black Handle (3 pole)
- Yellow/ Red Handle (3 pole)
- Black Handle (4 pole)
- Yellow/ Red Handle (4 pole)

Cat. No.

- KET3100UL
- KET4100UL Y/R
- KET3100UL
- KET4100UL Y/R

Enclosure Size

TR01

Weight

4.3 kg (9.48 lb.)

Accessories

Auxiliary Contact

VKA1.V, VKA2.V

KET3125UL & KET3125UL Y/R

Specifications

| | | |
|--|---------------------|----------------|
| No. of Poles | 3 or 4 | |
| General Purpose Current | 125 A | |
| Maximum Voltage | 600V AC | |
| Motor FLA @ 480V AC | - | |
| Motor FLA @ 600V AC | 68 A | |
| Horsepower Rating /HP | 1 Phase | 3 Phase |
| 110-120V AC | 5 | 10 |
| 200V AC | 10 | 20 |
| 208V AC | 10 | 20 |
| 220-240V AC | 15 | 25 |
| 265V AC | 15 | 25 |
| 277V AC | 15 | 30 |
| 380-415V AC | 20 | 40 |
| 440-480V AC | 30 | 50 |
| 550-600V AC | 30 | 60 |
| Short Circuit Withstand Rating at 600 V with Max. | 10 kA | |
| Fuse Size/Class: | | |
| K5 | 150 A | |
| RK5 | 150 A | |
| RK1 | - | |
| J | 200 A | |
| Terminal Size Acceptability (Cu Conductors only, 75°C) | 8-1/0 AWG | |
| Terminal Torque | 50 lb. in. (5.6 Nm) | |
| Screw Head Type | 5 mm Allen Key | |
| Environmental Rating | NEMA Type 4X | |
| Enclosure Type Used | TR01 | |



Features

- Can be used locally at the motor
- UV resistant
- NEMA Type 4X
- Resistant to many chemicals
- IEC IP65 Protection Level
- Lockable - Defeatable Handle

Colors

- Black Handle (3 pole)
- Yellow/ Red Handle (3 pole)
- Black Handle (4 pole)
- Yellow/ Red Handle (4 pole)

Cat. No.

- KET3125UL
- KET4125UL Y/R
- KET3125UL
- KET4125UL Y/R

Enclosure Size

TR01

Weight

4.3 kg (9.48 lb.)

Accessories

Auxiliary Contact

VKA1.V, VKA2.V

Sheet Metal Enclosed Motor Disconnect Switch

KET3150UL & KET3150UL Y/R

Specifications

| | | |
|---|---------------------|----------------|
| No. of Poles | 3 or 4 | |
| General Purpose Current | 150 A | |
| Maximum Voltage | 600V AC | |
| Motor FLA @ 480V AC | - | |
| Motor FLA @ 600V AC | 83 A | |
| Horsepower Rating /HP | 1 Phase | 3 Phase |
| 110-120V AC | 7.5 | 10 |
| 200V AC | 10 | 25 |
| 208V AC | 10 | 25 |
| 220-240V AC | 15 | 30 |
| 265V AC | 20 | 30 |
| 277V AC | 20 | 30 |
| 380-415V AC | 25 | 50 |
| 440-480V AC | 30 | 60 |
| 550-600V AC | 40 | 75 |
| Short Circuit Withstand Rating at 600 V with Max. Fuse Size/Class: | 10 kA | |
| K5 | 150 A | |
| RK5 | 150 A | |
| RK1 | - | |
| J | 200 A | |
| Terminal Size Acceptability (Cu Conductors only, 75°C) | 8-1/0 AWG | |
| Terminal Torque | 50 lb. in. (5.6 Nm) | |
| Screw Head Type | 5 mm Allen Key | |
| Environmental Rating | NEMA Type 4X | |
| Enclosure Type Used | TR02 | |



Features

- Can be used locally at the motor
- NEMA Type 4X
- IEC IP65 Protection Level
- UV resistant
- Resistant to many chemicals
- Lockable - Defeatable Handle

Colors

Black Handle (3 pole)
 Yellow/ Red Handle (3 pole)
 Black Handle (4 pole)
 Yellow/ Red Handle (4 pole)

Cat. No.

KET3150UL
 KET4150UL Y/R
 KET3150UL
 KET4150UL Y/R

Enclosure Size

TR02

Weight

9.7 kg (21.39 lb.)

Accessories

Auxiliary Contact

VKA1.V, VKA2.V

1

2

3

4

5

6



KET360UL98 & KET360UL98 Y/R

Specifications

| | | |
|-------------------------|---------|--|
| No. of Poles | 3 | |
| General Purpose Current | 60 A | |
| Maximum Voltage | 600V AC | |

| Horsepower Rating /HP | 1 Phase | 3 Phase |
|-----------------------|---------|---------|
| 120V AC | 3 | - |
| 240V AC | 7.5 | 20 |
| 480V AC | - | 40 |
| 6000V AC | - | 60 |

| | |
|---|--------------------|
| Short Circuit Withstand Rating at 600 V | 50 kA/60 A Class J |
|---|--------------------|

| | |
|--|-----------|
| Terminal Size Acceptability (Cu Conductors only, 75°C) | 8-1/0 AWG |
|--|-----------|



Features

- Can be used locally at the motor
- NEMA Type 4X
- IEC IP65 Protection Level
- Resistant to many chemicals
- Excellent in harsh weather conditions
- Corrosion and UV resistant
- Lockable - Defeatable Handle

Colors

- Black Handle (3 pole)
- Yellow/ Red Handle (3 pole)

Cat. No.

- KET360UL98
- KET360UL98 Y/R

Enclosure Size

TR01

Weight

4.3 kg (9.48 lb.)

Accessories

| Auxiliary Switches | Cat. No. | 1.V160KU | 2.V160KU |
|--------------------|----------|------------------------|-------------|
| No. of Contacts | | 1n.o./1n.c | 2n.o./2n.c. |
| Electrical Rating | | 16 A/1/2HP/125-250V AC | |

KET460UL98 & KET460UL98 Y/R

Specifications

| | | |
|-------------------------|---------|--|
| No. of Poles | 4 | |
| General Purpose Current | 60 A | |
| Maximum Voltage | 600V AC | |

| Horsepower Rating /HP | 1 Phase | 3 Phase |
|-----------------------|---------|---------|
| 120V AC | 3 | - |
| 240V AC | 7.5 | 20 |
| 480V AC | - | 40 |
| 6000V AC | - | 60 |

| | |
|---|--------------------|
| Short Circuit Withstand Rating at 600 V | 50 kA/60 A Class J |
|---|--------------------|

| | |
|--|-----------|
| Terminal Size Acceptability (Cu Conductors only, 75°C) | 8-1/0 AWG |
|--|-----------|



Features

- Can be used locally at the motor
- NEMA Type 4X
- IEC IP65 Protection Level
- Resistant to many chemicals
- Excellent in harsh weather conditions
- Corrosion and UV resistant
- Lockable - Defeatable Handle

Colors

- Black Handle (3 pole)
- Yellow/ Red Handle (3 pole)

Cat. No.

- KET460UL98
- KET460UL98 Y/R

Enclosure Size

TR01

Weight

4.4 kg (9.70 lb.)

Accessories

| Auxiliary Switches | Cat. No. | 1.V160KU | 2.V160KU |
|--------------------|----------|------------------------|-------------|
| No. of Contacts | | 1n.o./1n.c | 2n.o./2n.c. |
| Electrical Rating | | 16 A/1/2HP/125-250V AC | |

UL98 Sheet Metal Enclosed Motor Disconnect Switch

KET3100UL98 & KET3100UL98 Y/R

Specifications

| | | |
|--|--------------------|----------------|
| No. of Poles | 3 | |
| General Purpose Current | 100 A | |
| Maximum Voltage | 600V AC | |
| Horsepower Rating /HP | 1 Phase | 3 Phase |
| 120V AC | 5 | - |
| 240V AC | 10 | 25 |
| 480V AC | - | 50 |
| 6000V AC | - | 75 |
| Short Circuit Withstand Rating at 600 V | 50 kA/60 A Class J | |
| Terminal Size Acceptability (Cu Conductors only, 75°C) | 8-1/0 AWG | |



Features

- Can be used locally at the motor
- NEMA Type 4X
- IEC IP65 Protection Level
- Resistant to many chemicals
- Excellent in harsh weather conditions
- Corrosion and UV resistant
- Lockable - Defeatable Handle

Colors

Black Handle (3 pole)
Yellow/ Red Handle (3 pole)

Cat. No.

KET3100UUL98
KET3100UUL98 Y/R

Enclosure Size

TR02

Weight

9.7 kg (21.38 lb.)

Accessories

| | | | |
|--------------------|-------------------|------------------------|-------------|
| Auxiliary Switches | Cat. No. | 1.V160KU | 2.V160KU |
| | No. of Contacts | 1n.o./1n.c | 2n.o./2n.c. |
| | Electrical Rating | 16 A/1/2HP/125-250V AC | |

KET4100UL98 & KET4100UL98 Y/R

Specifications

| | | |
|--|--------------------|----------------|
| No. of Poles | 4 | |
| General Purpose Current | 100 A | |
| Maximum Voltage | 600V AC | |
| Horsepower Rating /HP | 1 Phase | 3 Phase |
| 120V AC | 5 | - |
| 240V AC | 10 | 25 |
| 480V AC | - | 50 |
| 6000V AC | - | 75 |
| Short Circuit Withstand Rating at 600 V | 50 kA/60 A Class J | |
| Terminal Size Acceptability (Cu Conductors only, 75°C) | 8-1/0 AWG | |



Features

- Can be used locally at the motor
- NEMA Type 4X
- IEC IP65 Protection Level
- Resistant to many chemicals
- Excellent in harsh weather conditions
- Corrosion and UV resistant
- Lockable - Defeatable Handle

Colors

Black Handle (3 pole)
Yellow/ Red Handle (3 pole)

Cat. No.

KET4100UUL98
KET4100UUL98 Y/R

Enclosure Size

TR02

Weight

9.8 kg (21.61 lb.)

Accessories

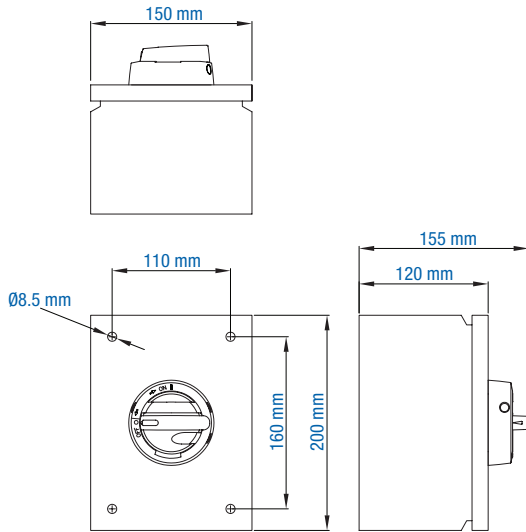
| | | | |
|--------------------|-------------------|------------------------|-------------|
| Auxiliary Switches | Cat. No. | 1.V160KU | 2.V160KU |
| | No. of Contacts | 1n.o./1n.c | 2n.o./2n.c. |
| | Electrical Rating | 16 A/1/2HP/125-250V AC | |



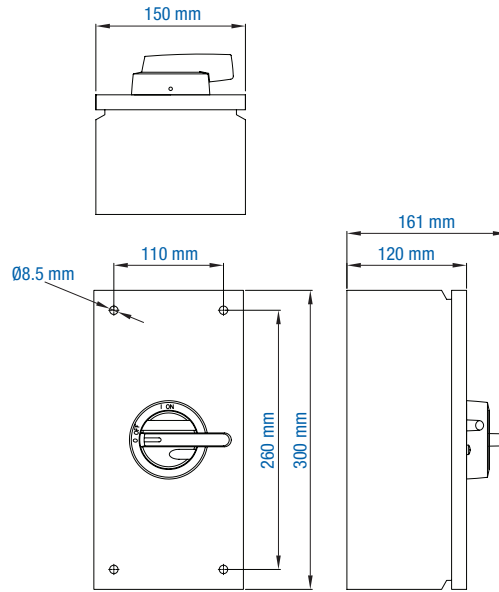
Dimensions

(to convert to inches multiply by 0.03937)

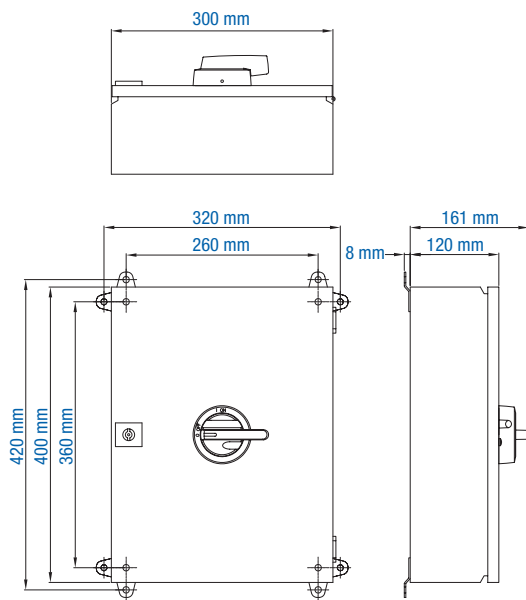
TR07



TR01



TR02



Enclosure Cover Screw Installation (Additional Information)

| Enclosure | Screw Type | Torque |
|-----------|------------|-----------------------|
| TR07 | PH2 | 10.6 lb. in. (1.2 Nm) |
| TR01 | PH2 | 10.6 lb. in. (1.2 Nm) |
| TR02 | ⊗ | Key lock |

Stainless Steel Enclosed Motor Disconnect Switch

KER316UL & KER316UL Y/R

Specifications

| | | |
|--|---------------------|----------------|
| No. of Poles | 3 or 4 | |
| General Purpose Current | 16 A | |
| Maximum Voltage | 600V AC | |
| Motor FLA @ 480V AC | 14 A | |
| Motor FLA @ 600V AC | 9A | |
| Horsepower Rating /HP | 1 Phase | 3 Phase |
| 110-120V AC | 1 | 2 |
| 200V AC | 1.5 | 3 |
| 208V AC | 1.5 | 3 |
| 220-240V AC | 2 | 3 |
| 265V AC | - | 5 |
| 277V AC | - | 5 |
| 380-415V AC | - | 7.5 |
| 440-480V AC | - | 10 |
| 550-600V AC | - | 7.5 |
| Short Circuit Withstand Rating at 600 V with Max. | 10 kA | |
| Fuse Size/Class: | | |
| K5 | 30 A | |
| RK5 | 30 A | |
| RK1 | 60 A | |
| J | 80 A | |
| Terminal Size Acceptability (Cu Conductors only, 75°C) | 14-8 AWG | |
| Terminal Torque | 16 lb. in. (1.8 Nm) | |
| Screw Head Type | No. 2 Pozidrive | |
| Environmental Rating | NEMA Type 4X | |
| Enclosure Type Used | H23 | |



Features

- Can be used locally at the motor
- NEMA Type 4X
- IEC IP65 Protection Level
- UV resistant
- Resistant to many chemicals
- Lockable - Defeatable Handle

Colors

Black Handle (3 pole)
 Yellow/ Red Handle (3 pole)
 Black Handle (4 pole)
 Yellow/ Red Handle (4 pole)

Cat. No.

KER316UL
 KER316UL Y/R
 KER416UL
 KER416UL Y/R

Enclosure Size

H23

Weight

1.35 kg (2.98 lb.)

Accessories

Auxiliary Contact

KU1.V, KU2.V

KER325UL & KER325UL Y/R

Specifications

| | | |
|--|---------------------|----------------|
| No. of Poles | 3 or 4 | |
| General Purpose Current | 25 A | |
| Maximum Voltage | 600V AC | |
| Motor FLA @ 480V AC | 21 A | |
| Motor FLA @ 600V AC | 11 A | |
| Horsepower Rating /HP | 1 Phase | 3 Phase |
| 110-120V AC | 1.5 | 3 |
| 200V AC | 2 | 5 |
| 208V AC | 2 | 5 |
| 220-240V AC | 3 | 5 |
| 265V AC | - | 7.5 |
| 277V AC | - | 7.5 |
| 380-415V AC | - | 10 |
| 440-480V AC | - | 15 |
| 550-600V AC | - | 10 |
| Short Circuit Withstand Rating at 600 V with Max. | 10 kA | |
| Fuse Size/Class: | | |
| K5 | 30 A | |
| RK5 | 30 A | |
| RK1 | 60 A | |
| J | 80 A | |
| Terminal Size Acceptability (Cu Conductors only, 75°C) | 14-8 AWG | |
| Terminal Torque | 16 lb. in. (1.8 Nm) | |
| Screw Head Type | No. 2 Pozidrive | |
| Environmental Rating | NEMA Type 4X | |
| Enclosure Type Used | H23 | |



Features

- Can be used locally at the motor
- NEMA Type 4X
- IEC IP65 Protection Level
- UV resistant
- Resistant to many chemicals
- Lockable - Defeatable Handle

Colors

Black Handle (3 pole)
 Yellow/ Red Handle (3 pole)
 Black Handle (4 pole)
 Yellow/ Red Handle (4 pole)

Cat. No.

KER325UL
 KER325UL Y/R
 KER425UL
 KER425UL Y/R

Enclosure Size

H23

Weight

1.35 kg (2.98 lb.)

Accessories

Auxiliary Contact

KU1.V, KU2.V



KER340UL & KER340UL Y/R

Specifications

| | | |
|--|---------------------|----------------|
| No. of Poles | 3 or 4 | |
| General Purpose Current | 40 A | |
| Maximum Voltage | 600V AC | |
| Motor FLA @ 480V AC | 27 A | |
| Motor FLA @ 600V AC | 17 A | |
| Horsepower Rating /HP | 1 Phase | 3 Phase |
| 110-120V AC | 2 | 3 |
| 200V AC | 3 | 7.5 |
| 208V AC | 3 | 7.5 |
| 220-240V AC | 5 | 7.5 |
| 265V AC | - | 10 |
| 277V AC | - | 10 |
| 380-415V AC | - | 15 |
| 440-480V AC | - | 20 |
| 550-600V AC | - | 15 |
| Short Circuit Withstand Rating at 600 V with Max. | 10 kA | |
| Fuse Size/Class: | | |
| K5 | 30 A | |
| RK5 | 30 A | |
| RK1 | 60 A | |
| J | 80 A | |
| Terminal Size Acceptability (Cu Conductors only, 75°C) | 14-8 AWG | |
| Terminal Torque | 16 lb. in. (1.8 Nm) | |
| Screw Head Type | No. 2 Pozidrive | |
| Environmental Rating | NEMA Type 4X | |
| Enclosure Type Used | H23 | |



Features

- Can be used locally at the motor
- NEMA Type 4X
- IEC IP65 Protection Level
- UV resistant
- Resistant to many chemicals
- Lockable - Defeatable Handle

Colors

- Black Handle (3 pole)
- Yellow/ Red Handle (3 pole)
- Black Handle (4 pole)
- Yellow/ Red Handle (4 pole)

Cat. No.

- KER340UL
- KER340UL Y/R
- KER440UL
- KER440UL Y/R

Enclosure Size

H23

Weight

1.35 kg (2.98 lb.)

Accessories

Auxiliary Contact

KU1.V, KU2.V

KER360UL & KER360UL Y/R

Specifications

| | | |
|--|---------------------|----------------|
| No. of Poles | 3 or 4 | |
| General Purpose Current | 60 A | |
| Maximum Voltage | 600V AC | |
| Motor FLA @ 480V AC | 34 A | |
| Motor FLA @ 600V AC | 27 A | |
| Horsepower Rating /HP | 1 Phase | 3 Phase |
| 110-120V AC | 3 | 5 |
| 200V AC | 5 | 10 |
| 208V AC | 5 | 10 |
| 220-240V AC | 7.5 | 10 |
| 265V AC | - | 10 |
| 277V AC | - | 10 |
| 380-415V AC | - | 20 |
| 440-480V AC | - | 25 |
| 550-600V AC | - | 25 |
| Short Circuit Withstand Rating at 600 V with Max. | 10 kA | |
| Fuse Size/Class: | | |
| K5 | 30 A | |
| RK5 | 30 A | |
| RK1 | 60 A | |
| J | 100 A | |
| Terminal Size Acceptability (Cu Conductors only, 75°C) | 12-4 AWG | |
| Terminal Torque | 16 lb. in. (1.8 Nm) | |
| Screw Head Type | No. 2 Pozidrive | |
| Environmental Rating | NEMA Type 4X | |
| Enclosure Type Used | H32 | |



Features

- Can be used locally at the motor
- NEMA Type 4X
- IEC IP65 Protection Level
- UV resistant
- Resistant to many chemicals
- Lockable - Defeatable Handle

Colors

- Black Handle (3 pole)
- Yellow/ Red Handle (3 pole)
- Black Handle (4 pole)
- Yellow/ Red Handle (4 pole)

Cat. No.

- KER60UL
- KER360UL Y/R
- KER460UL
- KER460UL Y/R

Enclosure Size

H32

Weight

1.35 kg (2.98 lb.)

Accessories

Auxiliary Contact

KU1.V, KU2.V

Stainless Steel Enclosed Motor Disconnect Switch

KER380CUL & KER380CUL Y/R

Specifications

| | | |
|--|---------------------|----------------|
| No. of Poles | 3 or 4 | |
| General Purpose Current | 80 A | |
| Maximum Voltage | 600V AC | |
| Motor FLA @ 480V AC | 40 A | |
| Motor FLA @ 600V AC | 32 A | |
| Horsepower Rating /HP | 1 Phase | 3 Phase |
| 110-120V AC | 5 | 7.5 |
| 200V AC | 7.5 | 10 |
| 208V AC | 7.5 | 10 |
| 220-240V AC | 10 | 15 |
| 265V AC | - | 15 |
| 277V AC | - | 15 |
| 380-415V AC | - | 25 |
| 440-480V AC | - | 30 |
| 550-600V AC | - | 30 |
| Short Circuit Withstand Rating at 600 V with Max. | 10 kA | |
| Fuse Size/Class: | | |
| K5 | 30 A | |
| RK5 | 30 A | |
| RK1 | 60 A | |
| J | 100 A | |
| Terminal Size Acceptability (Cu Conductors only, 75°C) | 12-4 AWG | |
| Terminal Torque | 16 lb. in. (1.8 Nm) | |
| Screw Head Type | No. 2 Pozidrive | |
| Environmental Rating | NEMA Type 4X | |
| Enclosure Type Used | H32 | |



Features

- Can be used locally at the motor
- NEMA Type 4X
- IEC IP65 Protection Level
- UV resistant
- Resistant to many chemicals
- Lockable - Defeatable Handle

Colors

Black Handle (3 pole)
Yellow/ Red Handle (3 pole)
Black Handle (4 pole)
Yellow/ Red Handle (4 pole)

Cat. No.

KER380UL
KER380UL Y/R
KER480UL
KER480UL Y/R

Enclosure Size

H32

Weight

2.66 kg (5.87 lb.)

Accessories

Auxiliary Contact

KU1.V, KU2.V

KER380UL & KER380UL Y/R

Specifications

| | | |
|--|---------------------|----------------|
| No. of Poles | 3 or 4 | |
| General Purpose Current | 80 A | |
| Maximum Voltage | 600V AC | |
| Motor FLA @ 480V AC | - | |
| Motor FLA @ 600V AC | 47 A | |
| Horsepower Rating /HP | 1 Phase | 3 Phase |
| 110-120V AC | 3 | 7.5 |
| 200V AC | 7.5 | 10 |
| 208V AC | 7.5 | 15 |
| 220-240V AC | 7.5 | 15 |
| 265V AC | 10 | 20 |
| 277V AC | 10 | 20 |
| 380-415V AC | 15 | 25 |
| 440-480V AC | 20 | 30 |
| 550-600V AC | 25 | 40 |
| Short Circuit Withstand Rating at 600 V with Max. | 10 kA | |
| Fuse Size/Class: | | |
| K5 | 150 A | |
| RK5 | 150 A | |
| RK1 | - | |
| J | 200 A | |
| Terminal Size Acceptability (Cu Conductors only, 75°C) | 8-1/0 AWG | |
| Terminal Torque | 50 lb. in. (5.6 Nm) | |
| Screw Head Type | 5 mm Allen Key | |
| Environmental Rating | NEMA Type 4X | |
| Enclosure Type Used | H32 | |



Features

- Can be used locally at the motor
- NEMA Type 4X
- IEC IP65 Protection Level
- UV resistant
- Resistant to many chemicals
- Lockable - Defeatable Handle

Colors

Black Handle (3 pole)
Yellow/ Red Handle (3 pole)
Black Handle (4 pole)
Yellow/ Red Handle (4 pole)

Cat. No.

KER380UL
KER380UL Y/R
KER480UL
KER480UL Y/R

Enclosure Size

H32

Weight

2.66 kg (5.87 lb.)

Accessories

Auxiliary Contact

VKA1.V, VKA2.V



KER3100UL & KER3100UL Y/R

Specifications

| | | |
|--|---------------------|----------------|
| No. of Poles | 3 or 4 | |
| General Purpose Current | 100 A | |
| Maximum Voltage | 600V AC | |
| Motor FLA @ 480V AC | - | |
| Motor FLA @ 600V AC | 54 A | |
| Horsepower Rating /HP | 1 Phase | 3 Phase |
| 110-120V AC | 3 | 7.5 |
| 200V AC | 7.5 | 15 |
| 208V AC | 7.5 | 15 |
| 220-240V AC | 10 | 20 |
| 265V AC | 10 | 20 |
| 277V AC | 10 | 20 |
| 380-415V AC | 15 | 30 |
| 440-480V AC | 20 | 40 |
| 550-600V AC | 30 | 50 |
| Short Circuit Withstand Rating at 600 V with Max. | 10 kA | |
| Fuse Size/Class: | | |
| K5 | 150 A | |
| RK5 | 150 A | |
| RK1 | - | |
| J | 200 A | |
| Terminal Size Acceptability (Cu Conductors only, 75°C) | 8-1/0 AWG | |
| Terminal Torque | 50 lb. in. (5.6 Nm) | |
| Screw Head Type | 5 mm Allen Key | |
| Environmental Rating | NEMA Type 4X | |
| Enclosure Type Used | H32 | |



Features

- Can be used locally at the motor
- NEMA Type 4X
- IEC IP65 Protection Level
- UV resistant
- Resistant to many chemicals
- Lockable - Defeatable Handle

Colors

- Black Handle (3 pole)
- Yellow/ Red Handle (3 pole)
- Black Handle (4 pole)
- Yellow/ Red Handle (4 pole)

Cat. No.

- KER3100UL
- KER3100UL Y/R
- KER4100UL
- KER4100UL Y/R

Enclosure Size

H32

Weight

2.66 kg (5.87 lb.)

Accessories

Auxiliary Contact

VKA1.V, VKA2.V

KER3125UL & KER3125UL Y/R

Specifications

| | | |
|--|---------------------|----------------|
| No. of Poles | 3 or 4 | |
| General Purpose Current | 125 A | |
| Maximum Voltage | 600V AC | |
| Motor FLA @ 480V AC | - | |
| Motor FLA @ 600V AC | 68 A | |
| Horsepower Rating /HP | 1 Phase | 3 Phase |
| 110-120V AC | 5 | 10 |
| 200V AC | 10 | 20 |
| 208V AC | 10 | 20 |
| 220-240V AC | 15 | 25 |
| 265V AC | 15 | 25 |
| 277V AC | 15 | 30 |
| 380-415V AC | 20 | 40 |
| 440-480V AC | 30 | 50 |
| 550-600V AC | 30 | 60 |
| Short Circuit Withstand Rating at 600 V with Max. | 10 kA | |
| Fuse Size/Class: | | |
| K5 | 150 A | |
| RK5 | 150 A | |
| RK1 | - | |
| J | 200 A | |
| Terminal Size Acceptability (Cu Conductors only, 75°C) | 8-1/0 AWG | |
| Terminal Torque | 50 lb. in. (5.6 Nm) | |
| Screw Head Type | 5 mm Allen Key | |
| Environmental Rating | NEMA Type 4X | |
| Enclosure Type Used | H32 | |



Features

- Can be used locally at the motor
- NEMA Type 4X
- IEC IP65 Protection Level
- UV resistant
- Resistant to many chemicals
- Lockable - Defeatable Handle

Colors

- Black Handle (3 pole)
- Yellow/ Red Handle (3 pole)
- Black Handle (4 pole)
- Yellow/ Red Handle (4 pole)

Cat. No.

- KER3125UL
- KER3125UL Y/R
- KER4125UL
- KER4125UL Y/R

Enclosure Size

H32

Weight

2.66 kg (5.87 lb.)

Accessories

Auxiliary Contact

VKA1.V, VKA2.V

UL98 Stainless Steel Enclosed Motor Disconnect Switch

KER360UL98 & KER360UL98 Y/R Y/R

Specifications

| | | |
|--|--------------------|----------------|
| No. of Poles | 3 | |
| General Purpose Current | 60 A | |
| Maximum Voltage | 600V AC | |
| Horsepower Rating /HP | 1 Phase | 3 Phase |
| 120V AC | 3 | - |
| 240V AC | 7.5 | 20 |
| 480V AC | - | 40 |
| 6000V AC | - | 60 |
| Short Circuit Withstand Rating at 600 V | 50 kA/60 A Class J | |
| Terminal Size Acceptability (Cu Conductors only, 75°C) | 8-1/0 AWG | |



Features

- Can be used locally at the motor
- NEMA Type 4X
- IEC IP65 Protection Level
- Corrosion resistant
- Mining is another application
- Ideal where chemicals are used for cleaning and maintenance such as food processing and breweries
- Stainless Steel (Grade AISI 316)
- Lockable - Defeatable Handle

Colors

Black Handle (3 pole)
Yellow/ Red Handle (3 pole)

Cat. No.

KER360UL98
KER360UL98 Y/R

Enclosure Size

H01

Weight

3.3 kg (7.28 lb.)

Accessories

| | | | |
|--------------------|-------------------|------------------------|-------------|
| Auxiliary Switches | Cat. No. | 1.V160KU | 2.V160KU |
| | No. of Contacts | 1n.o./1n.c | 2n.o./2n.c. |
| | Electrical Rating | 16 A/1/2HP/125-250V AC | |

KER460UL98 & KER460UL98 Y/R

Specifications

| | | |
|--|--------------------|----------------|
| No. of Poles | 4 | |
| General Purpose Current | 60 A | |
| Maximum Voltage | 600V AC | |
| Horsepower Rating /HP | 1 Phase | 3 Phase |
| 120V AC | 3 | - |
| 240V AC | 7.5 | 20 |
| 480V AC | - | 40 |
| 6000V AC | - | 60 |
| Short Circuit Withstand Rating at 600 V | 50 kA/60 A Class J | |
| Terminal Size Acceptability (Cu Conductors only, 75°C) | 8-1/0 AWG | |



Features

- Can be used locally at the motor
- NEMA Type 4X
- IEC IP65 Protection Level
- Corrosion resistant
- Mining is another application
- Ideal where chemicals are used for cleaning and maintenance such as food processing and breweries
- Stainless Steel (Grade AISI 316)
- Lockable - Defeatable Handle

Colors

Black Handle (3 pole)
Yellow/ Red Handle (3 pole)

Cat. No.

KER360UL98
KER360UL98 Y/R

Enclosure Size

H01

Weight

3.4 kg (7.50 lb.)

Accessories

| | | | |
|--------------------|-------------------|------------------------|-------------|
| Auxiliary Switches | Cat. No. | 1.V160KU | 2.V160KU |
| | No. of Contacts | 1n.o./1n.c | 2n.o./2n.c. |
| | Electrical Rating | 16 A/1/2HP/125-250V AC | |



KER3100UL98 & KER3100UL98 Y/R

Specifications

| | | |
|--|--------------------|----------------|
| No. of Poles | 3 | |
| General Purpose Current | 100 A | |
| Maximum Voltage | 600V AC | |
| Horsepower Rating /HP | 1 Phase | 3 Phase |
| 120V AC | 5 | - |
| 240V AC | 10 | 25 |
| 480V AC | - | 50 |
| 6000V AC | - | 75 |
| Short Circuit Withstand Rating at 600 V | 50 kA/60 A Class J | |
| Terminal Size Acceptability (Cu Conductors only, 75°C) | 8-1/0 AWG | |



Features

- Can be used locally at the motor
- NEMA Type 4X
- IEC IP65 Protection Level
- Resistant to many chemicals
- Excellent in harsh weather conditions
- Corrosion and UV resistant
- Lockable - Defeatable Handle

Colors

- Black Handle (3 pole)
- Yellow/ Red Handle (3 pole)

Cat. No.

- KER3100UUL98
- KER3100UUL98 Y/R

Enclosure Size

H02

Weight

6.9 kg (15.21 lb.)

Accessories

| | | | |
|--------------------|-------------------|------------------------|-------------|
| Auxiliary Switches | Cat. No. | 1.V160KU | 2.V160KU |
| | No. of Contacts | 1n.o./1n.c | 2n.o./2n.c. |
| | Electrical Rating | 16 A/1/2HP/125-250V AC | |

KER4100UL98 & KER4100UL98 Y/R

Specifications

| | | |
|--|--------------------|----------------|
| No. of Poles | 4 | |
| General Purpose Current | 100 A | |
| Maximum Voltage | 600V AC | |
| Horsepower Rating /HP | 1 Phase | 3 Phase |
| 120V AC | 5 | - |
| 240V AC | 10 | 25 |
| 480V AC | - | 50 |
| 6000V AC | - | 75 |
| Short Circuit Withstand Rating at 600 V | 50 kA/60 A Class J | |
| Terminal Size Acceptability (Cu Conductors only, 75°C) | 8-1/0 AWG | |



Features

- Can be used locally at the motor
- NEMA Type 4X
- IEC IP65 Protection Level
- Resistant to many chemicals
- Excellent in harsh weather conditions
- Corrosion and UV resistant
- Lockable - Defeatable Handle

Colors

- Black Handle (3 pole)
- Yellow/ Red Handle (3 pole)

Cat. No.

- KER4100UUL98
- KER4100UUL98 Y/R

Enclosure Size

H02

Weight

7.0 kg (15.43 lb.)

Accessories

| | | | |
|--------------------|-------------------|------------------------|-------------|
| Auxiliary Switches | Cat. No. | 1.V160KU | 2.V160KU |
| | No. of Contacts | 1n.o./1n.c | 2n.o./2n.c. |
| | Electrical Rating | 16 A/1/2HP/125-250V AC | |

UL Type 4X Stainless Steel Enclosed Motor Disconnect Switch

KER R & RS - 16 A

Specifications

| | |
|--|----------------|
| No. of Poles | 3 or 4 or 6 |
| General Purpose Current | 16 A |
| Maximum Voltage | 600V AC |
| Horsepower Rating /HP | 3 Phase |
| 206V AC | 3 |
| 415V AC | 7.5 |
| 480V AC | 10 |
| 600V AC | 7.5 |
| Terminal Size | |
| Acceptability (Cu Conductors only, 75°C) | 14-8 AWG |
| Enclosure Type Used | H23T/H24T |



Enclosure Size

H23T/H24T

Weight

| | | |
|--------|---------------|-------------------|
| 3 pole | No angled top | 1.2 kg (2.65 lb.) |
| 3 pole | Angled top | 1.7 kg (3.75 lb.) |
| 4 pole | No angled top | 1.3 kg (2.87 lb.) |
| 4 pole | Angled top | 1.8 kg (3.97 lb.) |
| 6 pole | No angled top | 2.5 kg (5.51 lb.) |
| 6 pole | Angled top | 3.1 kg (6.83 lb.) |

Features

- Stainless Steel (Grade AISI 316)
- Designed for hygienic an heavy environments
- NEMA Type 4X, IP66

- Padlockable
- Easy to install and to clean
- Acid proof
- Rainhood protection with angled top (RS)

Description

- 3 Pole without angled top
- 4 Pole without angled top
- 6 Pole without angled top
- 3 Pole with angled top
- 4 Pole with angled top
- 6 Pole with angled top

Cat. No.

- KER 316R UL
- KER 416R UL
- KER 616R UL
- KER 316RS UL
- KER 416RS UL
- KER 616RS UL

KER R & RS - 25 A

Specifications

| | |
|--|----------------|
| No. of Poles | 3 or 4 or 6 |
| General Purpose Current | 25 A |
| Maximum Voltage | 600V AC |
| Horsepower Rating /HP | 3 Phase |
| 206V AC | 5 |
| 415V AC | 10 |
| 480V AC | 15 |
| 600V AC | 10 |
| Terminal Size | |
| Acceptability (Cu Conductors only, 75°C) | 14-8 AWG |
| Enclosure Type Used | H23T/H24T |



Enclosure Size

H23T/H24T

Weight

| | | |
|--------|---------------|-------------------|
| 3 pole | No angled top | 1.2 kg (2.65 lb.) |
| 3 pole | Angled top | 1.7 kg (3.75 lb.) |
| 4 pole | No angled top | 1.3 kg (2.87 lb.) |
| 4 pole | Angled top | 1.8 kg (3.97 lb.) |
| 6 pole | No angled top | 2.5 kg (5.51 lb.) |
| 6 pole | Angled top | 3.1 kg (6.83 lb.) |

Features

- Stainless Steel (Grade AISI 316)
- Designed for hygienic an heavy environments
- NEMA Type 4X, IP66

- Padlockable
- Easy to install and to clean
- Acid proof
- Rainhood protection with angled top (RS)

Description

- 3 Pole without angled top
- 4 Pole without angled top
- 6 Pole without angled top
- 3 Pole with angled top
- 4 Pole with angled top
- 6 Pole with angled top

Cat. No.

- KER 325R UL
- KER 425R UL
- KER 625R UL
- KER 325RS UL
- KER 425RS UL
- KER 625RS UL



KER R & RS - 40 A

Specifications

| | |
|--|----------------|
| No. of Poles | 3 or 4 or 6 |
| General Purpose Current | 40 A |
| Maximum Voltage | 600V AC |
| Horsepower Rating /HP | 3 Phase |
| 206V AC | 7.5 |
| 415V AC | 15 |
| 480V AC | 20 |
| 600V AC | 15 |
| Terminal Size | |
| Acceptability (Cu Conductors only, 75°C) | 14-8 AWG |
| Enclosure Type Used | H23T/H24T |



Enclosure Size

H23T/H24T

Weight

| | | |
|--------|---------------|-------------------|
| 3 pole | No angled top | 1.2 kg (2.65 lb.) |
| 3 pole | Angled top | 1.7 kg (3.75 lb.) |
| 4 pole | No angled top | 1.3 kg (2.87 lb.) |
| 4 pole | Angled top | 1.8 kg (3.97 lb.) |
| 6 pole | No angled top | 2.5 kg (5.51 lb.) |
| 6 pole | Angled top | 3.1 kg (6.83 lb.) |

Features

- Stainless Steel (Grade AISI 316)
- Designed for hygienic an heavy environments
- NEMA Type 4X, IP66

- Padlockable
- Easy to install and to clean
- Acid proof
- Rainhood protection with angled top (RS)

Description

- 3 Pole without angled top
- 4 Pole without angled top
- 6 Pole without angled top
- 3 Pole with angled top
- 4 Pole with angled top
- 6 Pole with angled top

Cat. No.

- KER 340R UL
- KER 440R UL
- KER 640R UL
- KER 340RS UL
- KER 440RS UL
- KER 640RS UL

KER R & RS - 60A

Specifications

| | |
|--|----------------|
| No. of Poles | 3 or 4 or 6 |
| General Purpose Current | 60 A |
| Maximum Voltage | 600V AC |
| Horsepower Rating /HP | 3 Phase |
| 206V AC | 10 |
| 415V AC | 20 |
| 480V AC | 25 |
| 600V AC | 25 |
| Terminal Size | |
| Acceptability (Cu Conductors only, 75°C) | 14-8 AWG |
| Enclosure Type Used | H32T/H34T |



Enclosure Size

H32T/H34T

Weight

| | | |
|--------|---------------|-------------------|
| 3 pole | No angled top | 2.3 kg (5.07 lb.) |
| 3 pole | Angled top | 2.9 kg (6.39 lb.) |
| 4 pole | No angled top | 2.4 kg (5.29 lb.) |
| 4 pole | Angled top | 3.0 kg (6.61 lb.) |
| 6 pole | No angled top | 2.5 kg (5.51 lb.) |
| 6 pole | Angled top | 3.1 kg (6.83 lb.) |

Features

- Stainless Steel (Grade AISI 316)
- Designed for hygienic an heavy environments
- NEMA Type 4X, IP66

- Padlockable
- Easy to install and to clean
- Acid proof
- Rainhood protection with angled top (RS)

Description

- 3 Pole without angled top
- 4 Pole without angled top
- 6 Pole without angled top
- 3 Pole with angled top
- 4 Pole with angled top
- 6 Pole with angled top

Cat. No.

- KER 360R UL
- KER 460R UL
- KER 660R UL
- KER 360RS UL
- KER 460RS UL
- KER 660RS UL

UL Type 4X Stainless Steel Enclosed Motor Disconnect Switch

KER R & RS - 80 A

Specifications

| | |
|--|----------------|
| No. of Poles | 3 or 4 or 6 |
| General Purpose Current | 80 A |
| Maximum Voltage | 600V AC |
| Horsepower Rating /HP | 3 Phase |
| 206V AC | 10 |
| 415V AC | 25 |
| 480V AC | 30 |
| 600V AC | 30 |
| Terminal Size | |
| Acceptability (Cu Conductors only, 75°C) | 14-8 AWG |
| Enclosure Type Used | H23T/H24T |



Enclosure Size

H32T/H34T

| Weight | Poles | Top Style | Weight |
|--------|--------|---------------|-------------------|
| | 3 pole | No angled top | 2.3 kg (5.07 lb.) |
| | 3 pole | Angled top | 2.9 kg (6.39 lb.) |
| | 4 pole | No angled top | 2.4 kg (5.29 lb.) |
| | 4 pole | Angled top | 3.0 kg (6.61 lb.) |
| | 6 pole | No angled top | 2.5 kg (5.51 lb.) |
| | 6 pole | Angled top | 3.1 kg (6.83 lb.) |

Features

- Stainless Steel (Grade AISI 316)
- Designed for hygienic an heavy environments
- NEMA Type 4X, IP66
- Padlockable
- Easy to install and to clean
- Acid proof
- Rainhood protection with angled top (RS)

Description

- 3 Pole without angled top
- 4 Pole without angled top
- 6 Pole without angled top
- 3 Pole with angled top
- 4 Pole with angled top
- 6 Pole with angled top

Cat. No.

- KER 380R CUL
- KER 480R CUL
- KER 680R CUL
- KER 380RS CUL
- KER 480RS CUL
- KER 680RS CUL

Enclosure Size

H32T/H34T

Weight

- 2.3 kg (5.07 lb.)
- 2.9 kg (6.39 lb.)

KER R & RS - 80 A

Specifications

| | |
|--|----------------|
| No. of Poles | 3 or 4 |
| General Purpose Current | 80 A |
| Maximum Voltage | 600V AC |
| Horsepower Rating /HP | 3 Phase |
| 206V AC | 15 |
| 415V AC | 25 |
| 480V AC | 30 |
| 600V AC | 40 |
| Terminal Size | |
| Acceptability (Cu Conductors only, 75°C) | 14-8 AWG |
| Enclosure Type Used | H23T/H24T |



Enclosure Size

H32T/H34T

| Weight | Poles | Top Style | Weight |
|--------|--------|---------------|-------------------|
| | 3 pole | No angled top | 2.3 kg (5.07 lb.) |
| | 3 pole | Angled top | 2.9 kg (6.39 lb.) |
| | 4 pole | No angled top | 2.4 kg (5.29 lb.) |
| | 4 pole | Angled top | 3.0 kg (6.61 lb.) |

Features

- Stainless Steel (Grade AISI 316)
- Designed for hygienic an heavy environments
- NEMA Type 4X, IP66
- Padlockable
- Easy to install and to clean
- Acid proof
- Rainhood protection with angled top (RS)

Description

- 3 Pole without angled top
- 4 Pole without angled top
- 3 Pole with angled top
- 4 Pole with angled top

Cat. No.

- KER 380R UL
- KER 480R UL
- KER 380RS UL
- KER 480RS UL

Enclosure Size

H32T/H34T

Weight

- 2.3 kg (5.07 lb.)
- 2.9 kg (6.39 lb.)



KER R & RS - 100 A

Specifications

| | |
|--|----------------|
| No. of Poles | 3 or 4 |
| General Purpose Current | 100 A |
| Maximum Voltage | 600V AC |
| Horsepower Rating /HP | 3 Phase |
| 206V AC | 3 |
| 415V AC | 7.5 |
| 480V AC | 10 |
| 600V AC | 7.5 |
| Terminal Size | |
| Acceptability (Cu Conductors only, 75°C) | 14-8 AWG |
| Enclosure Type Used | H23T/H24T |



Enclosure Size

H23T/H24T

| Weight | Poles | Top Style | Weight (kg) | Weight (lb.) |
|--------|--------|---------------|-------------|--------------|
| | 3 pole | No angled top | 2.5 kg | (5.51 lb.) |
| | 3 pole | Angled top | 3.1 kg | (6.83 lb.) |
| | 4 pole | No angled top | 2.5 kg | (5.51 lb.) |
| | 4 pole | Angled top | 3.1 kg | (6.83 lb.) |

Features

- Stainless Steel (Grade AISI 316)
- Designed for hygienic an heavy environments
- NEMA Type 4X, IP66

- Padlockable
- Easy to install and to clean
- Acid proof
- Rainhood protection with angled top (RS)

Description

- 3 Pole without angled top
- 4 Pole without angled top
- 3 Pole with angled top
- 4 Pole with angled top

Cat. No.

- KER 3100R UL
- KER 4100R UL
- KER 3100RS UL
- KER 4100RS UL

KER R & RS - 125 A

Specifications

| | |
|--|----------------|
| No. of Poles | 3 or 4 |
| General Purpose Current | 125 A |
| Maximum Voltage | 600V AC |
| Horsepower Rating /HP | 3 Phase |
| 206V AC | 3 |
| 415V AC | 7.5 |
| 480V AC | 10 |
| 600V AC | 7.5 |
| Terminal Size | |
| Acceptability (Cu Conductors only, 75°C) | 14-8 AWG |
| Enclosure Type Used | H32T/H34T |



Enclosure Size

H32T/H34T

| Weight | Poles | Top Style | Weight (kg) | Weight (lb.) |
|--------|--------|---------------|-------------|--------------|
| | 3 pole | No angled top | 2.5 kg | (5.51 lb.) |
| | 3 pole | Angled top | 3.1 kg | (6.83 lb.) |
| | 4 pole | No angled top | 2.5 kg | (5.51 lb.) |
| | 4 pole | Angled top | 3.1 kg | (6.83 lb.) |

Features

- Stainless Steel (Grade AISI 316)
- Designed for hygienic an heavy environments
- NEMA Type 4X, IP66

- Padlockable
- Easy to install and to clean
- Acid proof
- Rainhood protection with angled top (RS)

Description

- 3 Pole without angled top
- 4 Pole without angled top
- 3 Pole with angled top
- 4 Pole with angled top

Cat. No.

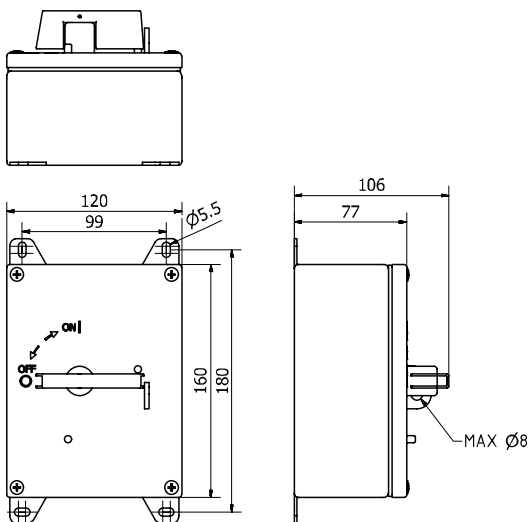
- KER 3125R UL
- KER 4125R UL
- KER 3125RS UL
- KER 4125RS UL

UL Type 4X Stainless Steel Enclosed Motor Disconnect Switch

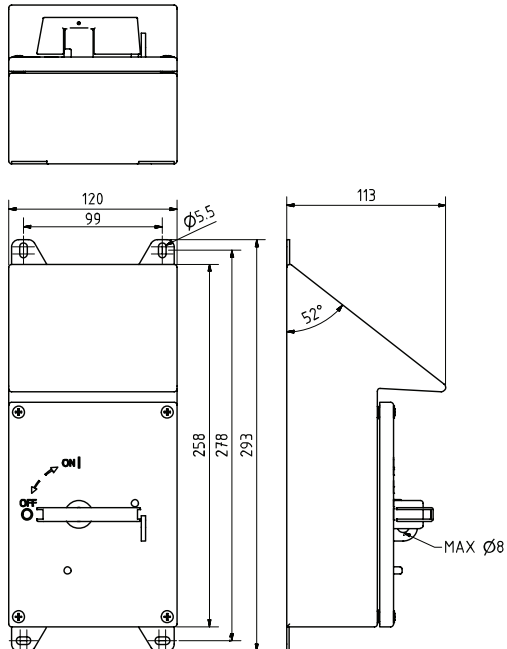
Dimensions

(to convert to inches multiply by 0.03937)

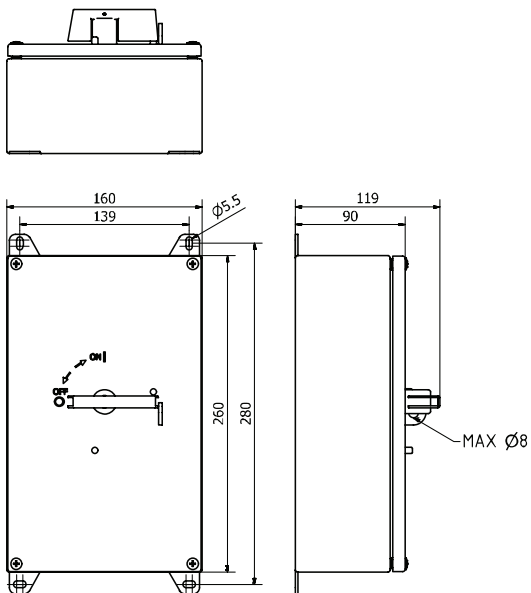
H23T



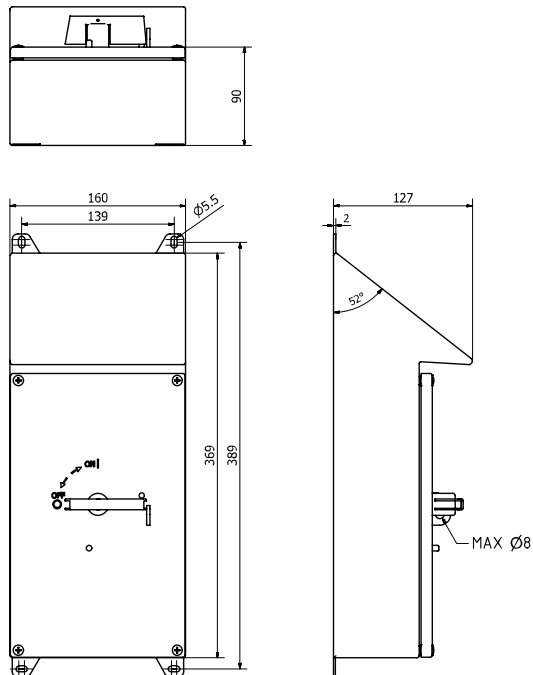
H24T



H32T



H34T



1

2

3

4

5

6



| | | | | | |
|---------------------------|----|----------------------|----|-----------------------|----|
| EVA3100 + K/EVA..... | 31 | KEM340UL..... | 35 | KER 325RS UL | 61 |
| EVA3100 + K/EVA Y/R | 31 | KEM340UL Y/R..... | 35 | KER 340R UL | 62 |
| EVA3100 + K/EVAB | 33 | KEM360UL..... | 35 | KER 340RS UL | 62 |
| EVA3125 + K/EVA..... | 32 | KEM360UL..... | 48 | KER 360R UL | 62 |
| EVA3125 + K/EVA Y/R | 32 | KEM360UL..... | 49 | KER 360RS UL | 62 |
| EVA3160 + K/EVA..... | 32 | KEM360UL Y/R..... | 35 | KER 380R CUL | 63 |
| EVA3160 + K/EVA Y/R | 32 | KEM360UL Y/R..... | 48 | KER 380R UL | 63 |
| EVA380 + K/EVA..... | 31 | KEM360UL Y/R..... | 49 | KER 380RS CUL | 63 |
| EVA380 + K/EVA Y/R | 31 | KEM360UL98..... | 39 | KER 380RS UL | 63 |
| K/KU3P..... | 24 | KEM360UL98 Y/R..... | 39 | KER 4100R UL | 64 |
| K/KU3P Y/R..... | 24 | KEM380CUL..... | 36 | KER 4100RS UL | 64 |
| K/KU4P..... | 24 | KEM380CUL Y/R | 36 | KER 4125R UL | 64 |
| K/KU4P Y/R..... | 24 | KEM380UL..... | 36 | KER 4125RS UL | 64 |
| K/VKA3-4P..... | 24 | KEM380UL Y/R..... | 36 | KER 416R UL | 61 |
| K/VKA3-4P Y/R..... | 24 | KEM4100L | 37 | KER 416RS UL | 61 |
| KEA 4125UL Y/R | 45 | KEM4100L | 37 | KER 425R UL | 61 |
| KEA3110UL | 45 | KEM4100L Y/R | 37 | KER 425RS UL | 61 |
| KEA3110UL Y/R | 45 | KEM4100L Y/R | 37 | KER 440R UL | 62 |
| KEA316UL | 42 | KEM4100UL98..... | 40 | KER 440RS UL | 62 |
| KEA316UL Y/R | 42 | KEM4100UL98 Y/R..... | 40 | KER 460R UL | 62 |
| KEA325UL | 42 | KEM4125L | 37 | KER 460RS UL | 62 |
| KEA325UL Y/R | 42 | KEM4125L | 37 | KER 480R CUL | 63 |
| KEA340UL | 43 | KEM4125L Y/R | 37 | KER 480R UL | 63 |
| KEA340UL Y/R | 43 | KEM4125L Y/R | 37 | KER 480RS CUL | 63 |
| KEA360UL | 43 | KEM4150L | 38 | KER 480RS UL | 63 |
| KEA360UL Y/R | 43 | KEM4150L | 38 | KER 616R UL | 61 |
| KEA380UL | 44 | KEM4150L Y/R | 38 | KER 616RS UL | 61 |
| KEA380UL Y/R | 44 | KEM4150L Y/R | 38 | KER 625R UL | 61 |
| KEA380UL Y/R | 44 | KEM416UL..... | 34 | KER 625RS UL | 61 |
| KEA4110UL | 45 | KEM416UL Y/R..... | 34 | KER 640R UL | 62 |
| KEA4110UL Y/R | 45 | KEM425UL..... | 34 | KER 640RS UL | 62 |
| KEA4125UL | 45 | KEM425UL Y/R..... | 34 | KER 660R UL | 62 |
| KEA4125UL | 45 | KEM440UL..... | 35 | KER 660RS UL | 62 |
| KEA4125UL Y/R..... | 45 | KEM440UL Y/R..... | 35 | KER 680R CUL | 63 |
| KEA416UL | 42 | KEM460 UL Y/R..... | 35 | KER 680RS CUL | 63 |
| KEA416UL Y/R | 42 | KEM460 UL Y/R..... | 49 | KER3100UL | 58 |
| KEA425UL | 42 | KEM460UL..... | 35 | KER3100UL Y/R | 58 |
| KEA425UL Y/R | 42 | KEM460UL..... | 48 | KER3100UUL98..... | 60 |
| KEA440UL | 43 | KEM460UL..... | 49 | KER3100UUL98 Y/R..... | 60 |
| KEA440UL Y/R | 43 | KEM460UL Y/R..... | 48 | KER3125UL | 58 |
| KEA460 UL Y/R | 43 | KEM460UL98..... | 39 | KER3125UL Y/R | 58 |
| KEA460UL | 43 | KEM460UL98 Y/R..... | 39 | KER316UL | 55 |
| KEA480UL | 44 | KEM480CUL | 36 | KER316UL Y/R | 55 |
| KEA480UL | 44 | KEM480CUL Y/R | 36 | KER325UL | 55 |
| KEA480UL Y/R | 44 | KEM480UL..... | 36 | KER325UL Y/R | 55 |
| KEA480UL Y/R | 44 | KEM480UL Y/R..... | 36 | KER340UL | 56 |
| KEA80UL | 44 | KER 3100R UL | 64 | KER340UL Y/R | 56 |
| KEM3100UL98..... | 40 | KER 3100RS UL | 64 | KER360UL Y/R | 56 |
| KEM3100UL98 Y/R..... | 40 | KER 3125R UL | 64 | KER360UL98 | 59 |
| KEM316UL..... | 34 | KER 3125RS UL | 64 | KER360UL98 | 59 |
| KEM316UL Y/R..... | 34 | KER 316R UL | 61 | KER360UL98 Y/R | 59 |
| KEM325UL..... | 34 | KER 316RS UL | 61 | KER360UL98 Y/R | 59 |
| KEM325UL Y/R..... | 34 | KER 325R UL | 61 | KER380UL | 57 |

| | | |
|---------------------------|---------------------------|--------------------------------|
| KER380UL 57 | KET440UL Y/R 48 | OKA/KU LK10 1.V Y/R 25 |
| KER380UL Y/R 57 | KET460UL98 52 | OKA/KU LK10 2.V 25 |
| KER380UL Y/R 57 | KET460UL98 Y/R 52 | OKA/KU LK10 2.V Y/R 25 |
| KER4100UL 58 | KET480CUL 49 | OKA/KU LK10 Y/R 25 |
| KER4100UL Y/R 58 | KET480CUL Y/R 49 | OKA/KU4P LK10 25 |
| KER4100UUL98 60 | KKV 332 23 | OKA/KU4P LK10 1.V 25 |
| KER4100UUL98 Y/R 60 | KKV 332CC 23 | OKA/KU4P LK10 1.V Y/R 25 |
| KER4125UL 58 | KKVM332 38 | OKA/KU4P LK10 2.V 25 |
| KER4125UL Y/R 58 | KKVM332 Y/R 38 | OKA/KU4P LK10 2.V Y/R 25 |
| KER416UL 55 | KKVM332CC 38 | OKA/KU4P LK10 Y/R 25 |
| KER416UL Y/R 55 | KKVM332CC Y/R 38 | OKA/VKA 0.V 27 |
| KER425UL 55 | KU1.V 23 | OKA/VKA 0.V Y/R 27 |
| KER425UL Y/R 55 | KU2.V 23 | OKA/VKA 1.V 27 |
| KER440UL 56 | KU3/4P VV 22 | OKA/VKA 1.V Y/R 27 |
| KER440UL Y/R 56 | KU3/4P VV Y/R 22 | OKA/VKA 2.V 27 |
| KER460UL 56 | KU3100UL98 20 | OKA/VKA 2.V Y/R 27 |
| KER460UL Y/R 56 | KU316N 14 | OKA/VKA4P 0.V 27 |
| KER480UL 57 | KU325N 14 | OKA/VKA4P 0.V Y/R 27 |
| KER480UL 57 | KU340N 15 | OKA/VKA4P 1.V 27 |
| KER480UL Y/R 57 | KU340N 15 | OKA/VKA4P 1.V Y/R 27 |
| KER480UL Y/R 57 | KU360UL98 20 | OKA/VKA4P 2.V 27 |
| KER60UL 56 | KU363N 15 | OKA/VKA4P 2.V Y/R 27 |
| KET16UL Y/R 47 | KU363N 15 | RKA 3P 24 |
| KET3100UL 50 | KU380N 16 | RKA 4P 24 |
| KET3100UL 50 | KU4100UL98 20 | RV 104S-ST 22 |
| KET3100UUL98 53 | KU416N 14 | RV 66S-ST 22 |
| KET3100UUL98 Y/R 53 | KU425N 14 | RV 80S-ST 22 |
| KET3125UL 50 | KU460UL98 20 | VKA1.V 23 |
| KET3125UL 50 | KU480N 16 | VKA2.V 23 |
| KET3150UL 51 | KUE316 28 | VKA3100N 17 |
| KET3150UL 51 | KUE325 28 | VKA3125N 18 |
| KET316UL 47 | KUE340 29 | VKA3160N 18 |
| KET325UL 47 | KUE363 29 | VKA380N 17 |
| KET325UL Y/R 47 | KUE380 30 | VKA4100N 17 |
| KET340UL Y/R 48 | KV 10x38 23 | VKA4125N 18 |
| KET360UL98 52 | KV 10x38 CC 23 | VKA4160N 18 |
| KET360UL98 Y/R 52 | L100 AD11-ST 22 | VKA480N 17 |
| KET380CUL 49 | L200 AD11-ST 22 | |
| KET380CUL Y/R 49 | L300AD11-ST 22 | |
| KET406UL 48 | LK10 UL 21 | |
| KET406UL 48 | LK10 Y/R UL 21 | |
| KET4100UL Y/R 50 | LK11 1-0-2 U 22 | |
| KET4100UL Y/R 50 | LK11 1-0-2 Y/R U 22 | |
| KET4100UUL98 53 | LK11 U 21 | |
| KET4100UUL98 Y/R 53 | LK11 Y/R U 21 | |
| KET4125UL Y/R 50 | OKA 0.V 26 | |
| KET4125UL Y/R 50 | OKA 0.V Y/R 26 | |
| KET4150UL Y/R 51 | OKA 1.V 26 | |
| KET4150UL Y/R 51 | OKA 1.V Y/R 26 | |
| KET416UL 47 | OKA 2.V 26 | |
| KET416UL Y/R 47 | OKA 2.V Y/R 26 | |
| KET425UL 47 | OKA/KU LK10 25 | |
| KET425UL Y/R 47 | OKA/KU LK10 1.V 25 | |

