

Rittal – The System.

Faster – better – everywhere.

Wallmount Enclosure Technical Guide



ENCLOSURES

POWER DISTRIBUTION

CLIMATE CONTROL

IT INFRASTRUCTURE

SOFTWARE & SERVICES



Rittal – The System.

Faster – better – everywhere.



ENCLOSURES

POWER DISTRIBUTION

CLIMATE CONTROL

WALLMOUNT ENCLOSURE TECHNICAL GUIDE

SYSTEM 4.0

The new product platform for Industry 4.0

We are excited to introduce the new AX and KX line of wallmounts in this brochure. As a result of this product launch, the entire Rittal core portfolio is ideally equipped for the new requirements resulting from digitalization and plays a key role in optimizing customers' value chains.

A system solution for even easier assembly

Simplifying procedures saves time and money. The new generation of Rittal products are characterized by a host of features for far easier installation and perfect integration into state-of-the-art manufacturing processes in line with Industry 4.0 principles. Tool-free assembly, fast configuration and simplified monitoring with QR codes helps make control and switchgear engineering processes simpler, faster, flexible and more reliable.

IT INFRASTRUCTURE

SOFTWARE & SERVICES





1961



2019

INVENTION AND INNOVATION

In 1961, Rittal was the first company in the world to series-produce enclosures. It all started with the original enclosure AE. Going against industry advice, Rudolf Loh demonstrated a great deal of courage and considerable ingenuity in realizing his vision of industrial-scale enclosure manufacturing.

Since Rittal was founded, the company's impressive innovative strength has spawned numerous enclosure generations, with millions of units in use always ahead of their time. The latest generation, the AX, is a response to the challenges of the Industry 4.0 era.

ENCLOSURES

POWER DISTRIBUTION

CLIMATE CONTROL

WALLMOUNT ENCLOSURE TECHNICAL GUIDE

RITTAL AND EPLAN:

Your strong partners for sustainable panel building and switchgear manufacturing

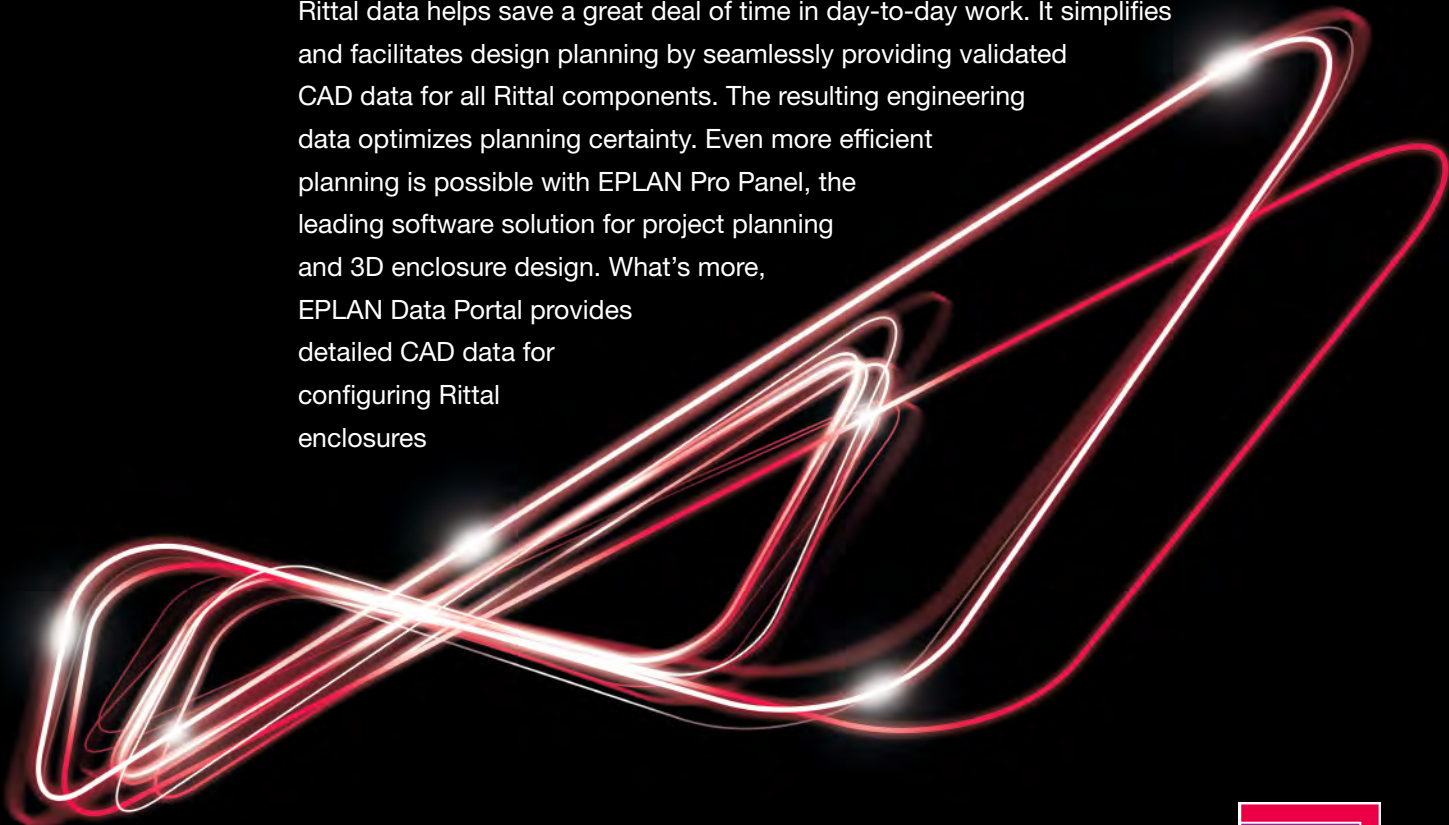
Unrivalled added value from a single source

From engineering and system technology to automation – Rittal offers integrated, end-to-end solutions. Together, Rittal system solutions and Eplan software tools support the entire engineering process from electrical project planning all the way through to manufacturing, installation and service.

With its coordinated enclosure, power distribution and climate control technology, the modular system from Rittal provides quick and flexible solutions for any challenge anywhere in the world. Thanks to Rittal equipment and tools for fully automated or manual machining and assembly, the efficient workflow never stops.

Saving time and boosting efficiency

Rittal data helps save a great deal of time in day-to-day work. It simplifies and facilitates design planning by seamlessly providing validated CAD data for all Rittal components. The resulting engineering data optimizes planning certainty. Even more efficient planning is possible with EPLAN Pro Panel, the leading software solution for project planning and 3D enclosure design. What's more, EPLAN Data Portal provides detailed CAD data for configuring Rittal enclosures



IT INFRASTRUCTURE

SOFTWARE & SERVICES



THE LEADING PROVIDER OF CARBON STEEL WALLMOUNTED ENCLOSURES



ENCLOSURES

POWER DISTRIBUTION

CLIMATE CONTROL



WM Wallmount Enclosures from page 8

- Single Door WM with Quarter Turn Latchpage 8
- Single Door WM with Two Quarter Turn Latches.....page 10
- Single Door WM with 3-Point Latchpage 14
- Double Door WM with 3-Point Latch.....page 18

WM Wallmount Disconnect Enclosures from page 20

- Single Door WM with 2-Point Latchpage 20
- Single Door WM with 3-Point Latchpage 22

AX Wallmount Enclosures from page 24

- Single Door AX with Gland Plate and Quarter Turn Latchpage 24
- Single Door AX with Gland Plate and Two Quarter Turn Latches.....page 26
- Single Door AX with Two Gland Plates and Two Quarter Turn Latches...page 30
- Single Door AX with Gland Plate and 3-Point Latch.....page 32
- Single Door AX with Two Gland Plates and 3-Point Latchpage 34
- Double Door AX with Two Gland Plates and Two Quarter Turn Latches .page 36
- Double Door AX with Two Gland Plates and 3-Point Latch.....page 38

JB Junction Boxes page 40

- JB Junction Box with Hinged Cover and Quarter Turn Latch.....page 40

KX Junction Boxes from page 42

- KX Junction Box with Hinged Cover and Quarter Turn Latchpage 42
- KX Junction Box with Hinged Cover and Two Quarter Turn Latchespage 44

KX Screw Cover Boxes from page 44

- KX Screw Cover Box with Screw Coverpage 46
- KX Screw Cover Box with Screw Cover and Gland Platepage 48
- KX Screw Cover Box with Screw Cover and Windowpage 50

Accessories from page 52

- Base – Plinth System and Floor Stand Kitspage 52
- Door – Window Kits, Locks, Wiring Pockets and Swing Panels.....page 54
- Roof – Drip Shield Kits, Dust Guards and Eyebolts.....page 58
- Wall Mounting – Brackets, Angles and Pole Clamps.....page 59
- Interior Fittings – Lights, Depth Rails and Ground Strapspage 60
- Cable Routing – Gland Plates, Cable Glands and Hole Seals.....page 64
- Other – Condensate Drain, Pressure Relief, Touch-Up and Seals.....page 67



WM Wallmount Enclosures



Material:

- Housing: Carbon steel
- Door: Carbon steel, all-round foamed-in PU seal
- Mounting panel: Carbon steel

Surface Finish:

- Housing and door: Dipcoat primed, powder-coated RAL 7035 (light gray)
- Mounting panel: Zinc-plated

Protection Rating:

- UL Type 4
- UL Type 3R
- UL Type 12
- IP 66

Supply includes:

- Housing with hinged door
- Mounting panel

Configuration:

- Single door enclosure
- Pre-drilled wall-mounting holes

Lock:

- 1 x quarter turn with screwdriver insert

Door Hinge:

- 2 x hinges (L/H, reversible, discrete)

Door Strip:

- Vertical Z-strips on both side of the door

Part No.	Catalog No.	H		W		D		Panel H		Panel W		Weight	
		in	mm	in	mm	in	mm	in	mm	in	mm	lb	kg
8017528	WM121206NC	12	300	12	300	6	150	11	275	10	254	15.4	7.0
8017529	WM161206NC	16	400	12	300	6	150	15	375	10	254	19.8	9.0
1034250	WM161208NC	16	400	12	300	8	210	15	375	10	254	19.8	9.0
8017530	WM161606NC	16	400	16	400	6	150	15	375	14	354	22.0	10.0
1244250	WM161608NC	16	400	16	400	8	210	15	375	14	354	22.0	10.0
8017531	WM162006NC	16	400	20	500	6	150	15	375	18	449	26.5	12.0
8017541	WM162008NC	16	400	20	500	8	210	15	375	18	449	28.7	13.0

Single Door WM

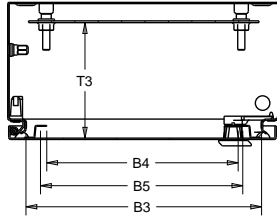
with quarter turn latch

B1 = Enclosure width
 B2 = Door width
 B3 = Enclosure opening width
 B4 = Door clearance width
 B5 = Door strip mounting distance
 B6 = Mounting bracket hole distance

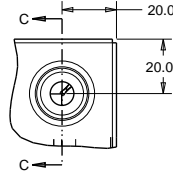
H1 = Enclosure height
 H2 = Door height
 H3 = Enclosure opening height
 H4 = Door strip usable height between holes
 H5 = Door lock location
 H6 = Mounting bracket hole distance
 N = Number of hole pitch patterns in door strip

T1 = Overall depth
 T2 = Enclosure depth
 T3 = Usable depth

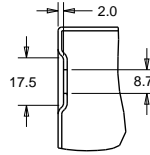
F1 = MPL width
 F2 = MPL Mounting hole distance
 G1 = MPL height
 G2 = MPL Mounting hole distance



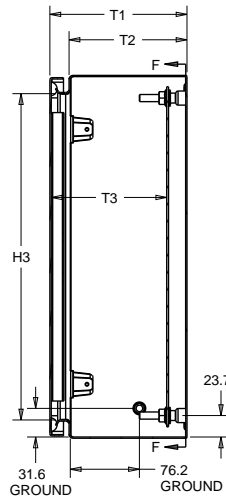
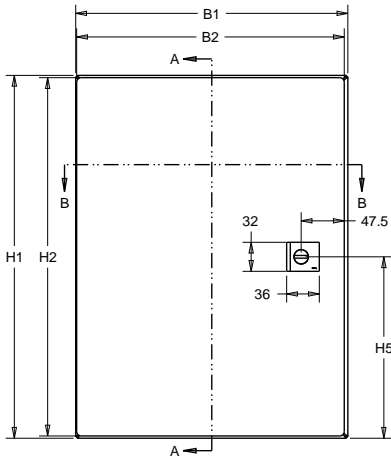
SECTION B-B



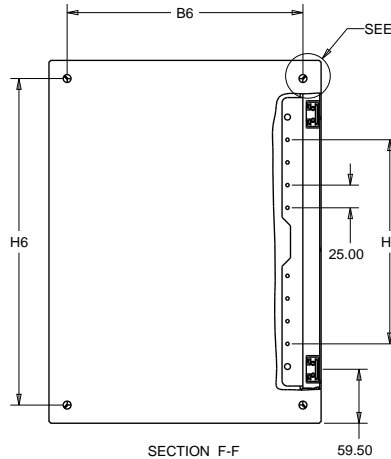
DETAIL Y
 SCALE 1.000



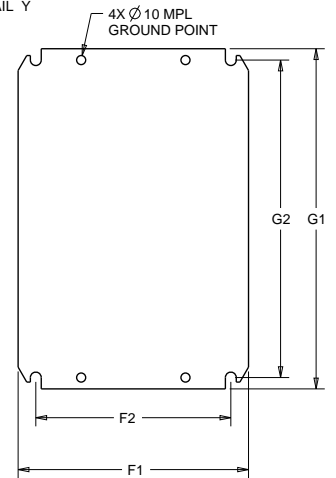
SECTION C-C



SECTION A-A



SECTION F-F
 MOUNTING PLATE
 HIDDEN IN THIS
 VIEW TO SHOW
 STIFFENER



Model No. WM	Width Dimensions mm						Height Dimensions mm							Depth Dimensions mm			Mounting Plate mm				Material Thickness mm		
	B1	B2	B3	B4	B5	B6	H1	H2	H3	H4	H5	H6	N	T1	T2	T3	F1	F2	G1	G2	Body	Door	MPL
8017528	300	295	260	211	223	260	300	295	260	175	150	260	6	151.2	130	127	254	215	275	250	1.5	1.5	1.5
8017529	300	295	260	211	223	260	400	395	360	225	200	360	8	151.2	130	127	254	215	375	350	1.5	1.5	1.5
1034250	300	295	260	211	223	260	400	395	360	225	200	360	8	211.2	190	187	254	215	375	350	1.5	1.5	1.5
8017530	400	395	360	311	323	360	400	395	360	225	200	360	8	151.2	130	127	354	315	375	350	1.5	1.5	1.5
1244250	400	395	360	311	323	360	400	395	360	225	200	360	8	211.2	190	187	354	315	375	350	1.5	1.5	1.5
8017531	500	495	460	411	423	460	400	395	360	225	200	360	8	151.2	130	127	449	410	375	350	1.5	1.5	1.5
8017541	500	495	460	411	423	460	400	395	360	225	200	360	8	211.2	190	187	449	410	375	350	1.5	1.5	1.5

WM Wallmount Enclosures



Material:

- Housing: Carbon steel
- Door: Carbon steel, all-round foamed-in PU seal
- Mounting panel: Carbon steel

Surface Finish:

- Housing and door: Dipcoat primed, powder-coated RAL 7035 (light gray)
- Mounting panel: Zinc-plated

Protection Rating:

- UL Type 4
- UL Type 3R
- UL Type 12
- IP 66

Supply includes:

- Housing with hinged door
- Mounting panel

Configuration:

- Single door enclosure
- Pre-drilled wall-mounting holes

Lock:

- 2 x quarter turn with screwdriver inserts

Door Hinge:

- 2 x hinges (L/H, reversible, discrete)

Door Strip:

- Vertical Z-strips on both side of the door

Part No.	Catalog No.	H		W		D		Panel H		Panel W		Weight	
		in	mm	in	mm	in	mm	in	mm	in	mm	lb	kg
8017532	WM201606NC	20	500	16	400	6	150	19	475	14	354	28.0	12.7
1045250	WM201608NC	20	500	16	400	8	210	19	475	14	354	28.7	13.0
8017533	WM202006NC	20	500	20	500	6	150	19	470	18	449	37.5	17.0
1050250	WM202008NC	20	500	20	500	8	210	19	470	18	449	37.5	17.0
8018963	WM202010NC	20	500	20	500	10	250	19	470	18	449	38.6	17.5
1350250	WM202012NC	20	500	20	500	12	300	19	470	18	449	44.1	20.0
8017544	WM202408NC	20	500	24	600	8	210	19	475	22	549	46.3	21.0
8017534	WM241606NC	24	600	16	400	6	150	22	570	14	354	35.3	16.0
8017545	WM241608NC	24	600	16	400	8	210	22	570	14	354	39.7	18.0
9851538	WM241610NC	24	600	16	400	10	250	22	570	14	354	41.0	18.6
8017535	WM242006NC	24	600	20	500	6	150	22	570	18	449	41.9	19.0
8017546	WM242008NC	24	600	20	500	8	210	22	570	18	449	46.3	21.0
8017561	WM242010NC	24	600	20	500	10	250	22	570	18	449	48.5	22.0
8017574	WM242012NC	24	600	20	500	12	300	22	570	18	449	50.7	23.0
8017536	WM242406NC	24	600	24	600	6	150	22	570	22	549	52.9	24.0
1060250	WM242408NC	24	600	24	600	8	210	22	570	22	549	57.0	26.0
8017562	WM242410NC	24	600	24	600	10	250	22	570	22	549	59.5	26.8
8017575	WM242412NC	24	600	24	600	12	300	22	570	22	549	61.7	28.0
8017549	WM243008NC	24	600	30	760	8	210	22	570	28	704	70.5	32.0
8017551	WM302008NC	30	760	20	500	8	210	29	730	18	449	60.0	27.0
1076250	WM302408NC	30	760	24	600	8	210	29	730	22	549	68.3	31.0
8017563	WM302410NC	30	760	24	600	10	250	29	730	22	549	75.0	34.0
8017576	WM302412NC	30	760	24	600	12	300	29	730	22	549	77.2	35.0
8017598	WM302520NC	30	760	24	600	20	500	29	730	22	549	95.2	43.0
1077250	WM303008NC	30	760	30	760	8	210	29	730	28	704	83.3	37.8
8018902	WM303010NC	30	760	30	760	10	250	29	730	28	704	86.0	39.0
1073250	WM303012NC	30	760	30	760	12	300	29	730	28	704	92.6	42.0

Single Door WM

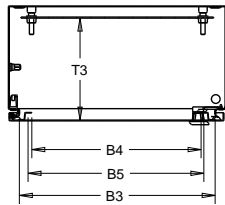
with two quarter turn latches

B1 = Enclosure width
 B2 = Door width
 B3 = Enclosure opening width
 B4 = Door clearance width
 B5 = Door strip mounting distance
 B6 = Mounting bracket hole distance

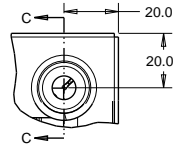
H1 = Enclosure height
 H2 = Door height
 H3 = Enclosure opening height
 H4 = Door strip usable height
 between holes
 H6 = Mounting bracket hole distance
 N = Number of hole pitch patterns
 in door strip

T1 = Overall depth
 T2 = Enclosure depth
 T3 = Usable depth

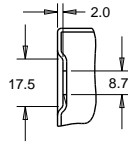
F1 = MPL width
 F2 = MPL Mounting hole distance
 G1 = MPL height
 G2 = MPL Mounting hole distance



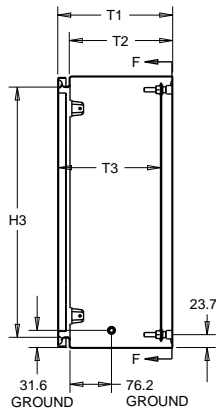
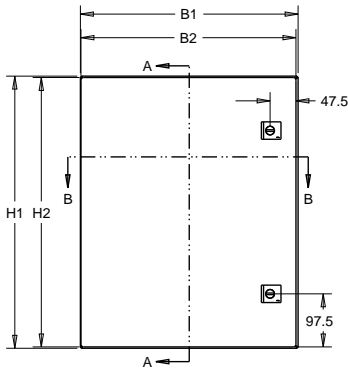
SECTION B-B



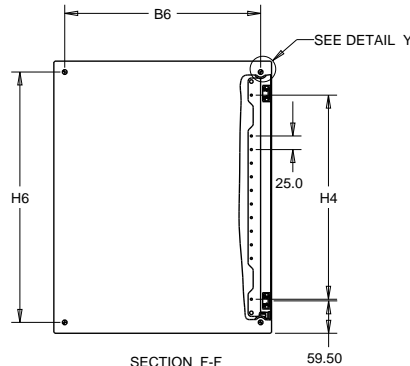
DETAIL Y
SCALE 1.000



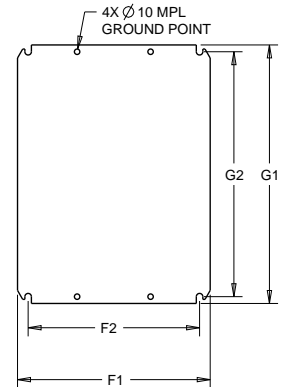
SECTION C-C



SECTION A-A



SECTION F-F
MOUNTING PLATE
HIDDEN IN THIS
VIEW TO SHOW



Model No. WM	Width Dimensions mm						Height Dimensions mm						Depth Dimensions mm			Mounting Plate mm				Material Thickness mm		
	B1	B2	B3	B4	B5	B6	H1	H2	H3	H4	H6	N	T1	T2	T3	F1	F2	G1	G2	Body	Door	MPL
8017532	400	395	360	311	323	360	500	495	460	375	460	12	151.2	130	127	354	315	475	450	1.5	1.5	1.5
1045250	400	395	360	311	323	360	500	495	460	375	460	12	211.2	190	187	354	315	475	450	1.5	1.5	1.5
8017533	500	495	460	411	423	460	500	495	460	375	460	12	151.2	130	127	449	410	470	445	1.5	1.5	2.5
1050250	500	495	460	411	423	460	500	495	460	375	460	12	211.2	190	187	449	410	470	445	1.5	1.5	2.5
8018963	500	495	460	411	423	460	500	495	460	375	460	12	251.2	230	226	449	410	470	445	1.5	1.5	2.5
1350250	500	495	460	411	423	460	500	495	460	375	460	12	301.2	280	276	449	410	470	445	1.5	1.5	2.5
8017544	600	595	560	511	523	560	500	495	460	375	460	12	211.2	190	187	549	510	470	445	1.5	1.5	2.5
8017534	400	395	360	311	323	360	600	595	560	475	560	16	151.2	130	127	354	315	570	545	1.5	1.5	2.5
8017545	400	395	360	311	323	360	600	595	560	475	560	16	211.2	190	187	354	315	570	545	1.5	1.5	2.5
9851538	400	395	360	311	323	360	600	595	560	475	560	16	251.2	230	226	354	315	570	545	1.5	1.5	2.5
8017535	500	495	460	411	423	460	600	595	560	475	560	16	151.2	130	127	449	410	570	545	1.5	1.5	2.5
8017546	500	495	460	411	423	460	600	595	560	475	560	16	211.2	190	187	449	410	570	545	1.5	1.5	2.5
8017561	500	495	460	411	423	460	600	595	560	475	560	16	251.2	230	226	449	410	570	545	1.5	1.5	2.5
8017574	500	495	460	411	423	460	600	595	560	475	560	16	301.2	280	276	449	410	570	545	1.5	1.5	2.5
8017536	600	595	560	511	523	560	600	595	560	475	560	16	151.7	130	127	549	510	570	545	1.5	2	2.5
1060250	600	595	560	511	523	560	600	595	560	475	560	16	211.7	190	187	549	510	570	545	1.5	2	2.5
8017562	600	595	560	511	523	560	600	595	560	475	560	16	251.7	230	226	549	510	570	545	1.5	2	2.5
8017575	600	595	560	511	523	560	600	595	560	475	560	16	301.7	280	276	549	510	570	545	1.5	2	2.5
8017549	760	755	720	671	683	720	600	595	560	475	560	16	211.7	190	187	704	665	570	545	1.5	2	2.5
8017551	500	495	460	411	423	460	760	755	720	625	720	22	211.7	190	187	449	410	730	705	1.5	2	2.5
1076250	600	595	560	511	523	560	760	755	720	625	720	22	211.7	190	187	549	510	730	705	1.5	2	2.5
8017563	600	595	560	511	523	560	760	755	720	625	720	22	251.7	230	226	549	510	730	705	1.5	2	2.5
8017576	600	595	560	511	523	560	760	755	720	625	720	22	301.7	280	276	549	510	730	705	1.5	2	2.5
8017598	600	595	560	511	523	560	760	755	720	625	720	22	501.7	480	476	549	510	730	705	2	2	2
1077250	760	755	720	671	683	720	760	755	720	625	720	22	211.7	190	187	704	665	730	705	1.5	2	2.5
8018902	760	755	720	671	683	720	760	755	720	625	720	22	251.7	230	226	704	665	730	705	1.5	2	2.5
1073250	760	755	720	671	683	720	760	755	720	625	720	22	301.7	280	276	704	665	730	705	1.5	2	2.5

WM Wallmount Enclosures



Material:

- Housing: Carbon steel
- Door: Carbon steel, all-round foamed-in PU seal
- Mounting panel: Carbon steel

Surface Finish:

- Housing and door: Dipcoat primed, powder-coated RAL 7035 (light gray)
- Mounting panel: Zinc-plated

Protection Rating:

- UL Type 4
- UL Type 3R
- UL Type 12
- IP 66

Supply includes:

- Housing with hinged door
- Mounting panel

Configuration:

- Single door enclosure
- Pre-drilled wall-mounting holes

Lock:

- 2 x quarter turn with screwdriver inserts

Door Hinge:

- 3 x hinges (L/H, reversible, discrete)

Door Strip:

- Vertical Z-strips for 36x24 and 36x30 on both side of the door
- Perimeter perforated strips for 36x36 door

Part No.	Catalog No.	H		W		D		Panel H		Panel W		Weight	
		in	mm	in	mm	in	mm	in	mm	in	mm	lb	kg
8017554	WM362408NC	36	900	24	600	8	200	34	870	22	549	70.5	32.0
8017566	WM362410NC	36	900	24	600	10	250	34	870	22	549	83.8	38.0
8017578	WM362412NC	36	900	24	600	12	300	34	870	22	549	88.2	40.0
8017555	WM363008NC	36	900	30	760	8	200	34	870	28	704	110.2	50.0
8017567	WM363010NC	36	900	30	760	10	250	34	870	28	704	116.8	53.0
8017579	WM363012NC	36	900	30	760	12	300	34	870	28	704	121.3	55.0
8017594	WM363016NC	36	900	30	760	16	400	34	870	28	704	134.5	61.0
8017557	WM363608NC	36	900	36	900	8	200	34	870	33	840	134.5	61.0
8017581	WM363612NC	36	900	36	900	12	300	34	870	33	840	141.1	64.0

Single Door WM

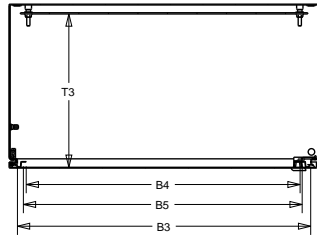
with two quarter turn latches

B1 = Enclosure width
 B2 = Door width
 B3 = Enclosure opening width
 B4 = Door clearance width
 B5 = Door strip mounting distance
 B6 = Mounting bracket hole distance

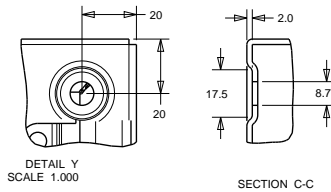
H1 = Enclosure height
 H2 = Door height
 H3 = Enclosure opening height
 H4 = Door strip usable height between holes
 H6 = Mounting bracket hole distance
 N = Number of hole pitch patterns in door strip

T1 = Overall depth
 T2 = Enclosure depth
 T3 = Usable depth

F1 = MPL width
 F2 = MPL Mounting hole distance
 G1 = MPL height
 G2 = MPL Mounting hole distance

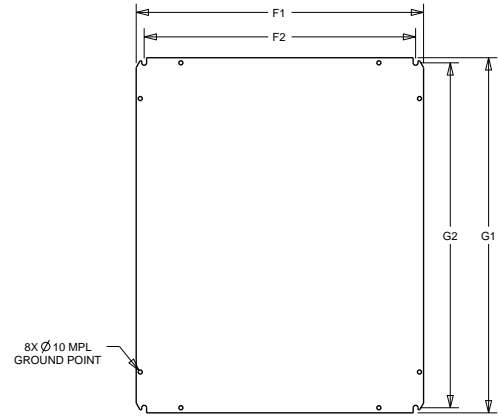


SECTION B-B

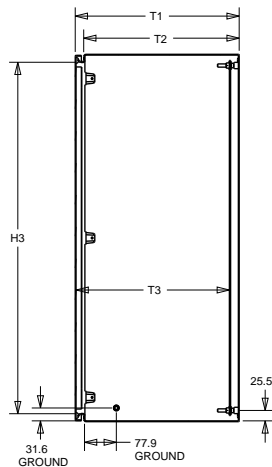
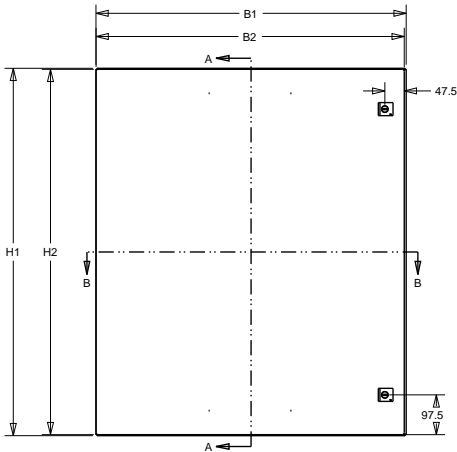


DETAIL Y
SCALE 1.000

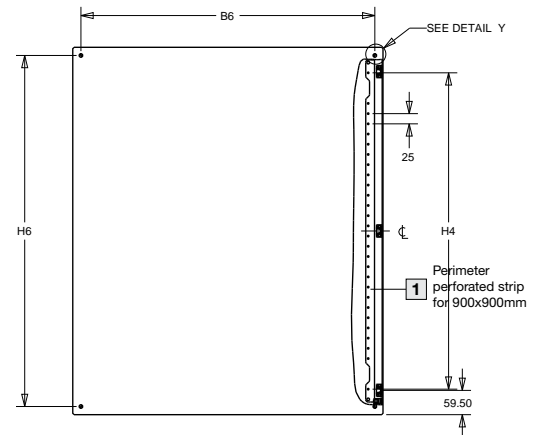
SECTION C-C



8X Ø10 MPL
GROUND POINT



31.6 GROUND
77.9 GROUND



SECTION F-F
MOUNTING PLATE
HIDDEN IN THIS
VIEW TO SHOW
DOOR STIFFENER

Model No. WM	Width Dimensions mm						Height Dimensions mm						Depth Dimensions mm			Mounting Plate mm				Material Thickness mm		
	B1	B2	B3	B4	B5	B6	H1	H2	H3	H4	H6	N	T1	T2	T3	F1	F2	G1	G2	Body	Door	MPL
8017554	600	595	560	511	523	560	900	895	860	775	860	28	211.7	190	168-184	549	510	870	845	1.5	2	2.5
8017566	600	595	560	511	523	560	900	895	860	775	860	28	251.7	230	208-224	549	510	870	845	1.5	2	2.5
8017578	600	595	560	511	523	560	900	895	860	775	860	28	301.7	280	258-274	549	510	870	845	1.5	2	2.5
8017555	760	755	720	671	683	720	900	895	860	775	860	28	211.7	190	168-184	704	665	870	845	2	2	2.5
8017567	760	755	720	671	683	720	900	895	860	775	860	28	251.7	230	208-224	704	665	870	845	2	2	2.5
8017579	760	755	720	671	683	720	900	895	860	775	860	28	301.7	280	258-274	704	665	870	845	2	2	2.5
8017594	760	755	720	671	683	720	900	895	860	775	860	28	401.7	380	358-374	704	665	870	845	2	2	2.5
8017557	900	895	860	811	823	860	900	895	860	650	860	20	211.7	190	168-184	840	801	870	845	2	2	2.5
8017581	900	895	860	811	823	860	900	895	860	650	860	20	301.7	280	258-274	840	801	870	845	2	2	2.5

WM Wallmount Enclosures



Material:

- Housing: Carbon steel
- Door: Carbon steel, all-round foamed-in PU seal
- Mounting panel: Carbon steel

Surface Finish:

- Housing and door: Dipcoat primed, powder-coated RAL 7035 (light gray)
- Mounting panel: Zinc-plated

Protection Rating:

- UL Type 4
- UL Type 3R
- UL Type 12
- IP 66

Supply includes:

- Housing with hinged door
- Mounting panel

Configuration:

- Single door enclosure
- Pre-drilled wall-mounting holes

Lock:

- 3 point tool-to-open L-handle

Door Hinge:

- 4 x hinges (L/H, reversible, discrete)

Door Strip:

- Perimeter perforated strips

Part No.	Catalog No.	H		W		D		Panel H		Panel W		Weight	
		in	mm	in	mm	in	mm	in	mm	in	mm	lb	kg
8017558	WM423008NC	42	1050	30	760	8	210	40	1020	28	704	138.0	63.0
8017559	WM423608NC	42	1050	36	900	8	210	40	1020	33	840	156.5	71.0
8017569	WM423610NC	42	1050	36	900	10	250	40	1020	33	840	163.1	74.0
8017586	WM423612NC	42	1050	36	900	12	300	40	1020	33	840	169.8	77.0
8017560	WM483608NC	48	1200	36	900	8	210	45	1155	33	840	176.4	80.0
8017570	WM483610NC	48	1200	36	900	10	250	45	1155	33	840	178.6	81.0
8017588	WM483612NC	48	1200	36	900	12	300	45	1155	33	840	180.8	82.0
8017595	WM483616NC	48	1200	36	900	16	400	45	1155	33	840	205.0	93.0
8017599	WM483620NC	48	1200	36	900	20	500	45	1155	33	840	220.9	100.0
8017571	WM603610NC	60	1500	36	900	10	250	57	1455	33	840	189.6	86.0
8017591	WM603612NC	60	1500	36	900	12	300	57	1455	33	840	200.6	91.0
8017597	WM603616NC	60	1500	36	900	16	400	57	1450	33	840	248.0	112.0

Single Door WM

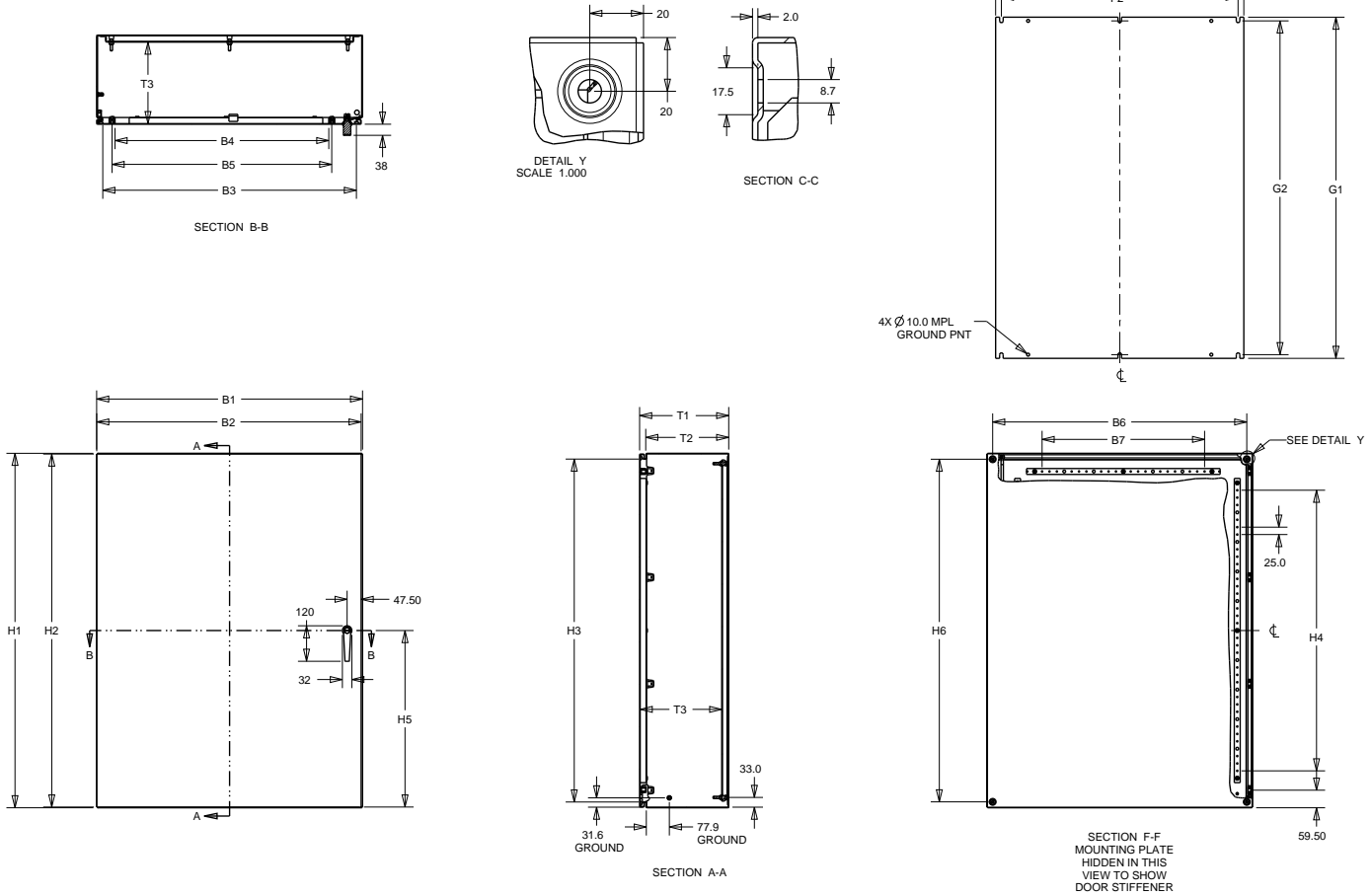
with 3-point latch

B1 = Enclosure width
 B2 = Door width
 B3 = Enclosure opening width
 B4 = Door clearance width
 B5 = Door strip mounting distance
 B6 = Mounting bracket hole distance
 B7 = Door strip usable width between holes

H1 = Enclosure height
 H2 = Door height
 H3 = Enclosure opening height
 H4 = Door strip usable height between holes
 H5 = Door lock location
 H6 = Mounting bracket hole distance
 N = Number of hole pitch patterns in door strip

T1 = Overall depth
 T2 = Enclosure depth
 T3 = Usable depth

F1 = MPL width
 F2 = MPL Mounting hole distance
 G1 = MPL height
 G2 = MPL Mounting hole distance



Model No. WM	Width Dimensions mm							Height Dimensions mm							Depth Dimensions mm			Mounting Plate mm				Material Thickness mm		
	B1	B2	B3	B4	B5	B6	B7	H1	H2	H3	H4	H5	H6	N	T1	T2	T3	F1	F2	G1	G2	Body	Door	MPL
8017558	760	755	720	583.5	603.5	720	550	1050	1045	1010	850	522.5	1010	26	211.7	190	186	704	665	1020	995	2	2	2.5
8017559	900	895	860	723.5	743.5	860	550	1050	1045	1010	850	522.5	1010	26	211.7	190	186	840	801	1020	995	2	2	2.5
8017569	900	895	860	723.5	743.5	860	550	1050	1045	1010	850	522.5	1010	26	251.7	230	226	840	801	1020	995	2	2	2.5
8017586	900	895	860	723.5	743.5	860	550	1050	1045	1010	850	522.5	1010	26	301.7	280	276	840	801	1020	995	2	2	2.5
8017560	900	895	860	723.5	743.5	860	550	1200	1195	1160	950	597.5	1160	30	211.7	190	186	840	801	1155	1130	2	2	2.5
8017570	900	895	860	723.5	743.5	860	550	1200	1195	1160	950	597.5	1160	30	251.7	230	226	840	801	1155	1130	2	2	2.5
8017588	900	895	860	723.5	743.5	860	550	1200	1195	1160	950	597.5	1160	30	301.7	280	276	840	801	1155	1130	2	2	2.5
8017595	900	895	860	723.5	743.5	860	550	1200	1195	1160	950	597.5	1160	30	401.7	380	376	840	801	1155	1130	2	2	2.5
8017599	900	895	860	723.5	743.5	860	550	1200	1195	1160	950	597.5	1160	30	501.7	480	476	840	801	1155	1130	2	2	2.5
8017571	900	895	860	723.5	743.5	860	550	1500	1495	1460	950	747.5	1460	30	251.7	230	226	840	801	1455	1430	2	2	2.5
8017591	900	895	860	723.5	743.5	860	550	1500	1495	1460	950	747.5	1460	30	301.7	280	276	840	801	1455	1430	2	2	2.5
8017597	900	895	860	723.5	743.5	860	550	1500	1495	1460	950	747.5	1460	30	401.7	380	376	840	801	1455	1430	2	2	2.5

WM Wallmount Enclosures



Material:

- Housing: Carbon steel
- Door: Carbon steel, all-round foamed-in PU seal
- Mounting panel: Carbon steel

Surface Finish:

- Housing and door: Dipcoat primed, powder-coated RAL 7035 (light gray)
- Mounting panel: Zinc-plated

Protection Rating:

- UL Type 12
- IP 55

Supply includes:

- Housing with hinged door
- Mounting panel with vertical folds

Configuration:

- Double door enclosures
- Pre-drilled wall-mounting holes

Lock:

- 3 point tool-to-open L-handle

Door Hinge:

- 3 x hinge

Door Strip:

- Vertical Z-strips on hinged side of both doors

Part No.	Catalog No.	H		W		D		Panel H		Panel W		Weight	
		in	mm	in	mm	in	mm	in	mm	in	mm	lb	kg
8017550	WM244208NC	24	600	42	1050	8	210	22	550	39	1000	110.2	50.0
8017564	WM304210NC	30	760	42	1050	10	250	28	710	39	1000	154.3	70.0
8017565	WM304810NC	30	760	48	1200	10	250	28	710	45	1150	174.2	79.0

Double Door WM

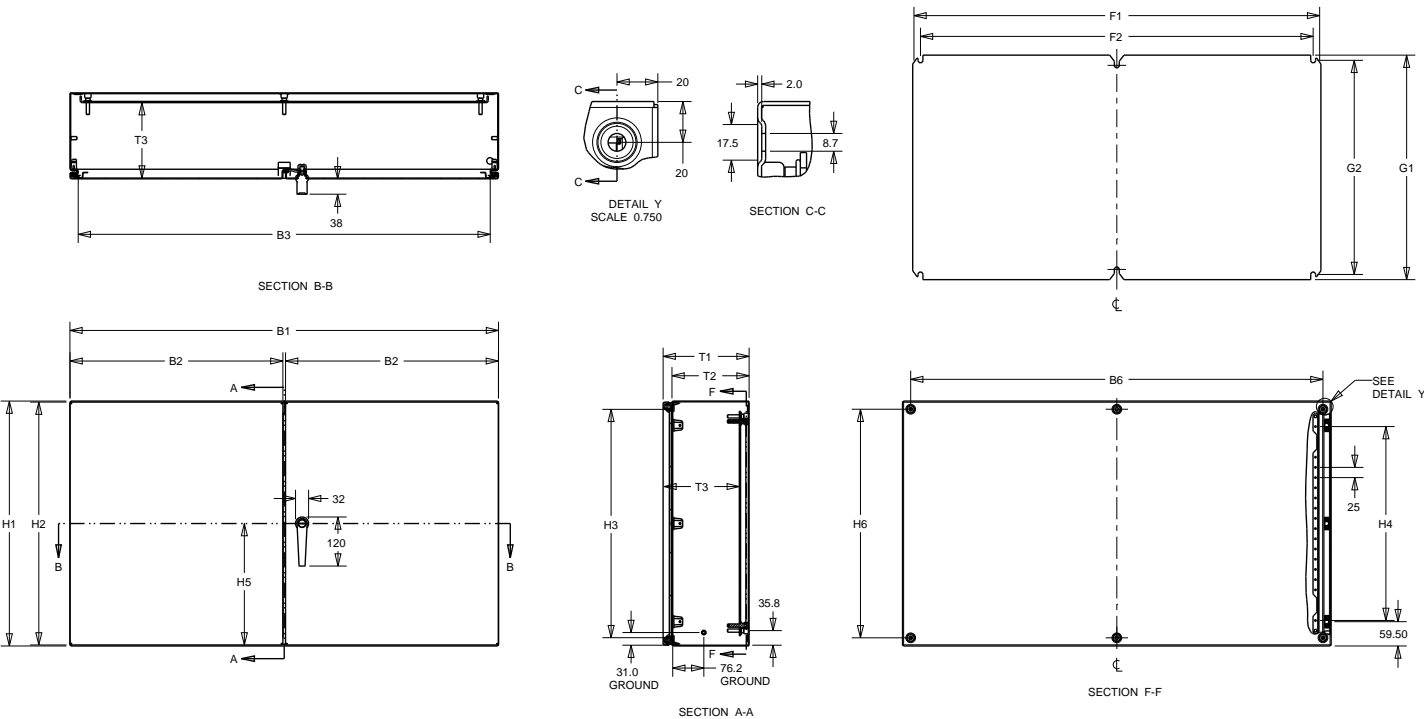
with 3-point latch

B1 = Enclosure width
 B2 = Door width
 B3 = Enclosure opening width
 B6 = Mounting bracket hole distance

H1 = Enclosure height
 H2 = Door height
 H3 = Enclosure opening height
 H4 = Door strip usable height between holes
 H5 = Door lock location
 H6 = Mounting bracket hole distance
 N = Number of hole pitch patterns in door strip

T1 = Overall depth
 T2 = Enclosure depth
 T3 = Usable depth

F1 = MPL width
 F2 = MPL Mounting hole distance
 G1 = MPL height
 G2 = MPL Mounting hole distance



Model No. WM	Width Dimensions mm				Height Dimensions mm							Depth Dimensions mm			Mounting Plate mm				Material Thickness mm		
	B1	B2	B3	B6	H1	H2	H3	H4	H5	H6	N	T1	T2	T3	F1	F2	G1	G2	Body	Door	MPL
8017550	1050	520	1010	1010	600	595	560	475	298	540	16	210.7	190	185	1000	962	550	524.6	2	2	2.5
8017564	1050	520	1010	1010	760	755	720	625	378	700	26	250.7	230	225	1000	962	710	684.6	2	2	2.5
8017565	1200	595	1160	1160	760	755	720	625	378	700	26	250.7	230	225	1150	1112	710	684.6	2	2	2.5

WM Wallmount Enclosures



Material:

- Housing: Carbon steel
- Doors: Carbon steel, all-round foamed-in PU seal
- Mounting panel: Carbon steel

Surface Finish:

- Housing and doors: Dipcoat primed, powder-coated RAL 7035 (light gray)
- Mounting panel: Zinc-plated

Protection Rating:

- UL Type 12
- IP 55

Supply includes:

- Housing with hinged doors
- Mounting panel with vertical folds

Configuration:

- Double door enclosure
- Pre-drilled wall-mounting holes

Lock:

- 3 point tool-to-open L-handle

Door Hinge:

- 4 x hinges

Door Strip:

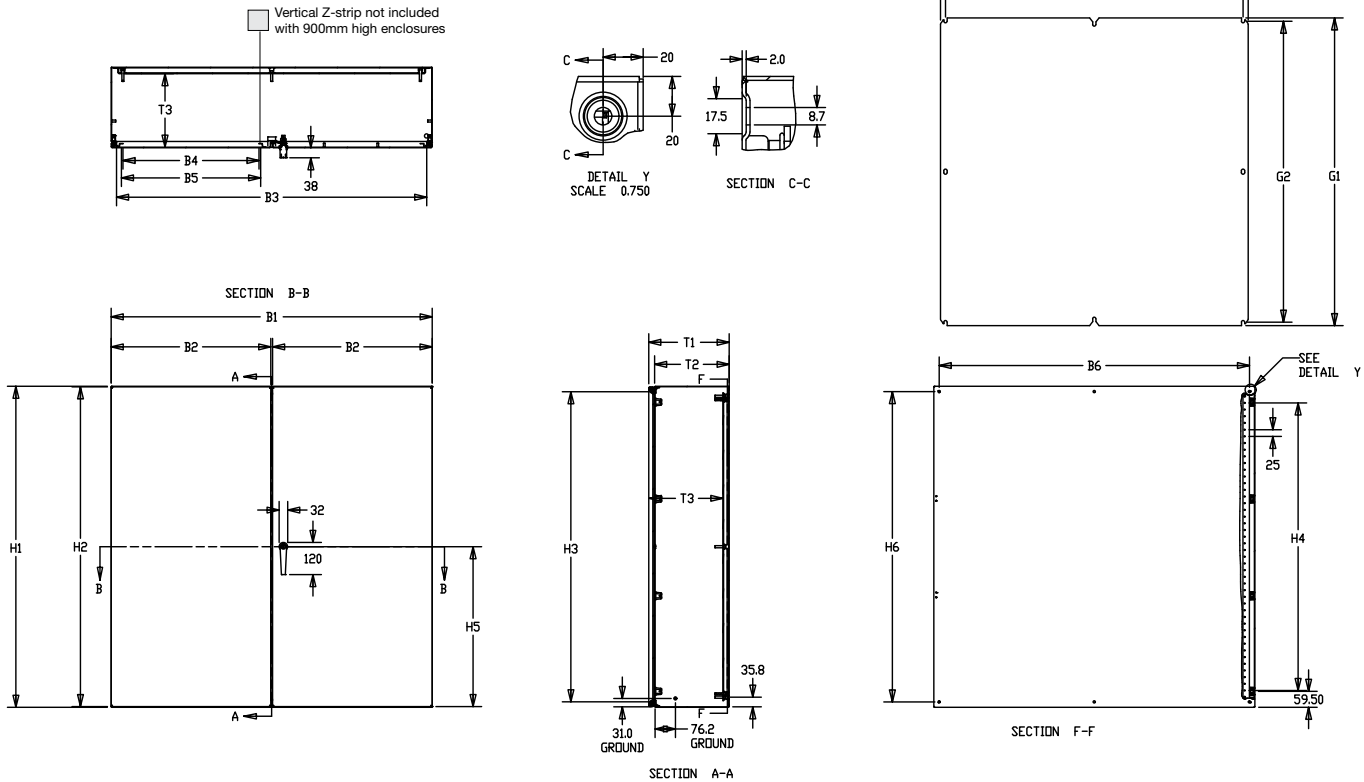
- Vertical Z-strips on hinged side of both doors for 36" high enclosures
- Vertical Z-strips on both sides of the LH door and hinged side of RH door, for 42" and 48" high enclosures

Part No.	Catalog No.	H		W		D		Panel H		Panel W		Weight	
		in	mm	in	mm	in	mm	in	mm	in	mm	lb	kg
8017582	WM364212NC	36	900	42	1050	12	300	33	850	39	1000	167.6	76.0
8017583	WM364812NC	36	900	48	1200	12	300	33	850	45	1150	187.4	85.0
8017584	WM366012NC	36	900	60	1500	12	300	33	850	57	1450	227.1	103.0
8017587	WM426012NC	42	1050	60	1500	12	300	39	1000	57	1450	260.1	118.0
8017590	WM484812NC	48	1200	48	1200	12	300	45	1150	45	1150	209.0	95.0

Double Door WM

with 3-point latch

- B1 = Enclosure width
- B2 = Door width
- B3 = Enclosure opening width
- B4 = Door clearance width LH
- B5 = Door strip mounting distance LH
- B6 = Mounting bracket hole distance
- H1 = Enclosure height
- H2 = Door height
- H3 = Enclosure opening height
- H4 = Door strip usable height between holes
- H5 = Door lock location
- H6 = Mounting bracket hole distance
- N = Number of hole pitch patterns in door strip
- T1 = Overall depth
- T2 = Enclosure depth
- T3 = Usable depth
- F1 = MPL width
- F2 = MPL Mounting hole distance
- G1 = MPL height
- G2 = MPL Mounting hole distance



Model No. WM	Width Dimensions mm						Height Dimensions mm							Depth Dimensions mm			Mounting Plate mm				Material Thickness mm		
	B1	B2	B3	B4	B5	B6	H1	H2	H3	H4	H5	H6	N	T1	T2	T3	F1	F2	G1	G2	Body	Door	MPL
8017582	1050	520	1010	-	-	1010	900	895	860	825	448	840	28	300.7	280	275	1000	962	850	824.6	2	2	2.5
8017583	1200	595	1160	-	-	1160	900	895	860	825	448	840	28	300.7	280	275	1150	1112	850	824.6	2	2	2.5
8017584	1500	745	1460	-	-	1460	900	895	860	825	448	840	28	300.7	280	275	1450	1412	850	824.6	2	2	2.5
8017587	1500	745	1460	658.3	670.3	1460	1050	1045	1010	925	526	990	30	300.7	280	275	1450	1412	1000	974.6	2	2	2.5
8017590	1200	595	1160	508.3	520.3	1160	1200	1195	1160	1075	598	1140	44	300.7	280	275	1150	1112	1150	1124.6	2	2	2.5

WM Wallmount Disconnect Enclosures



Material:

- Housing: Carbon steel
- Door: Carbon steel, all-round foamed-in PU seal
- Mounting panel: Carbon steel

Surface Finish:

- Housing and door: Dipcoat primed, powder-coated RAL 7035 (light gray)
- Mounting panel: Zinc-plated

Protection Rating:

- UL Type 4
- UL Type 3R
- UL Type 12
- IP 66

Supply includes:

- Housing with hinged door
- Mounting panel with vertical folds for 24" high and above; Flat for 20" high enclosures

Configuration:

- Single door enclosure with cut-out for disconnect
- Pre-drilled wall-mounting holes

Lock:

- 2-point tool-to-open L-handle

Door Hinge:

- 3 x hinges

Door Strip:

- Vertical Z-strips on both sides of the door for 30" high and below
- Perimeter perforated strips for 36" high doors

Part No.	Catalog No.	H		W		D		Panel H		Panel W		Weight	
		in	mm	in	mm	in	mm	in	mm	in	mm	lb	kg
8017548	WM242608XC	24	600	26	650	8	210	22	570	22	549	59.5	27.0
9851539	WM242610XC	24	600	26	650	10	250	22	570	22	549	70.5	32.0
8018979	WM302612XC	30	760	26	650	12	300	29	730	22	549	94.8	43.0
8017568	WM363210XC	36	900	32	825	10	250	34	870	28	704	132.3	60.0
8017580	WM363212XC	36	900	32	825	12	300	34	870	28	704	138.9	63.0

Single Door WM Disconnect

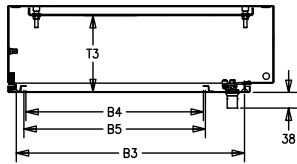
with 2-point latch

B1 = Enclosure width
 B2 = Door width
 B3 = Enclosure opening width
 B4 = Door clearance width
 B5 = Door strip mounting distance
 B6 = Mounting bracket hole distance

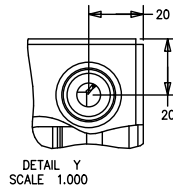
H1 = Enclosure height
 H2 = Door height
 H3 = Enclosure opening height
 H4 = Door strip usable height between holes
 H5 = Door lock location
 H6 = Mounting bracket hole distance
 N = Number of hole pitch patterns in door strip

T1 = Overall depth
 T2 = Enclosure depth
 T3 = Usable depth

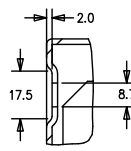
F1 = MPL width
 F2 = MPL Mounting hole distance
 G1 = MPL height
 G2 = MPL Mounting hole distance



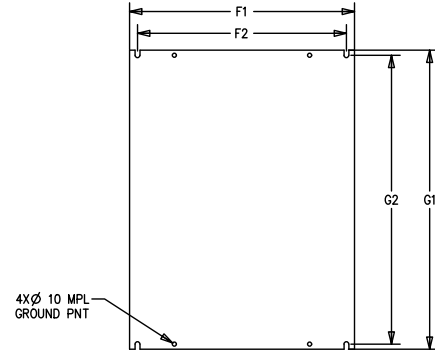
SECTION B-B



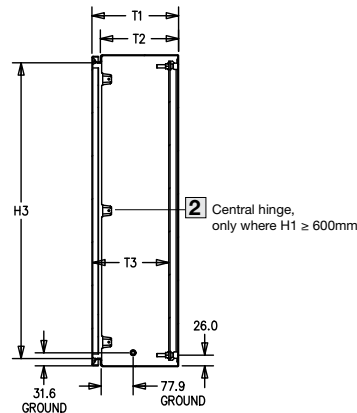
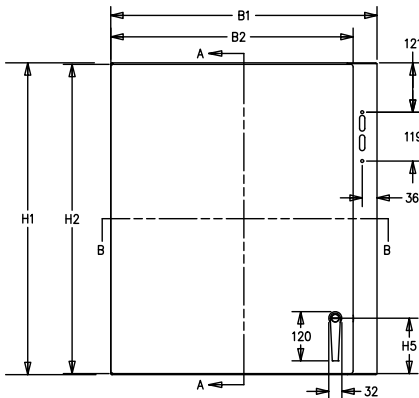
DETAIL Y
SCALE 1.000



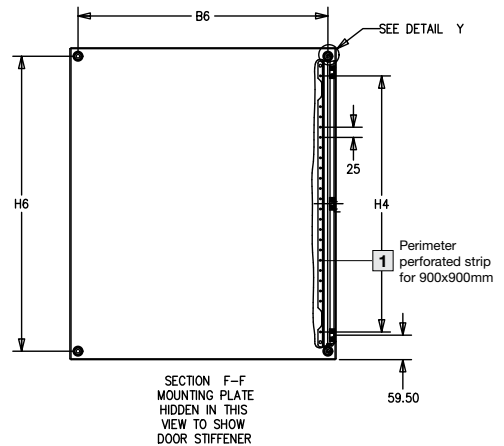
SECTION C-C



4x Ø 10 MPL
GROUND PNT



2 Central hinge,
only where H1 ≥ 600mm



SECTION F-F
MOUNTING PLATE
HIDDEN IN THIS
VIEW TO SHOW
DOOR STIFFENER

Model No. WM	Width Dimensions mm						Height Dimensions mm							Depth Dimensions mm			Mounting Plate mm				Material Thickness mm		
	B1	B2	B3	B4	B5	B6	H1	H2	H3	H4	H5	H6	N	T1	T2	T3	F1	F2	G1	G2	Body	Door	MPL
8017548	650	592	557	433	445	610	600	595	560	475	140	560	16	211.5	190	185	549	510	570	545	2	2	2.5
9851539	650	592	557	433	445	610	600	595	560	475	140	560	16	251.5	230	225	549	510	570	545	2	2	2.5
8018979	650	592	557	433	445	610	760	755	720	625	136	720	22	301.5	280	275	549	510	730	705	2	2	3
8017568	825	767	732	592	612	785	900	895	860	550	146.5	860	18	251.5	230	225	704	665	870	845	2	2	2
8017580	825	767	732	592	612	785	900	895	860	550	146.5	860	18	301.5	280	275	704	665	870	845	2	2	3

WM Wallmount Disconnect Enclosures



Material:

- Housing: Carbon steel
- Door: Carbon steel, all-round foamed-in PU seal
- Mounting panel: Carbon steel

Surface Finish:

- Housing and door: Dipcoat primed, powder-coated RAL 7035 (light gray)
- Mounting panel: Zinc-plated

Protection Rating:

- UL Type 4
- UL Type 3R
- UL Type 12
- IP 66

Supply includes:

- Housing with hinged door
- Mounting panel with vertical folds

Configuration:

- Single door enclosure with cut-out for disconnect
- Pre-drilled wall-mounting holes

Lock:

- 3-point tool-to-open L-handle

Door Hinge:

- 3 x hinges for 42" high enclosures
- 4 x hinges for 48" high and above

Door Strip:

- Perimeter perforated strips

Part No.	Catalog No.	H		W		D		Panel H		Panel W		Weight	
		in	mm	in	mm	in	mm	in	mm	in	mm	lb	kg
8017585	WM423212XC	42	1050	32	825	12	300	40	1020	28	704	163.1	74.0
8017589	WM483812XC	48	1200	38	975	12	300	45	1155	33	840	196.2	89.0
8017596	WM483816XC	48	1200	38	975	16	400	45	1155	33	840	211.6	96.0
8017592	WM603812XC	60	1500	38	975	12	300	57	1455	33	840	235.9	107.0
8018981	WM603816XC	60	1500	38	975	16	400	57	1455	33	840	262.3	119.0

Single Door WM Disconnect

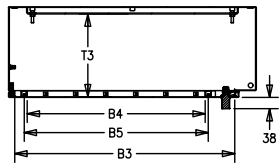
with 3-point latch

B1 = Enclosure width
 B2 = Door width
 B3 = Enclosure opening width
 B4 = Door clearance width
 B5 = Door strip mounting distance
 B6 = Mounting bracket hole distance
 B7 = Door strip usable width between holes

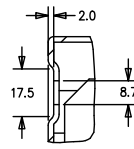
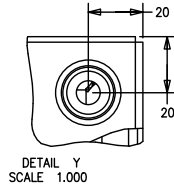
H1 = Enclosure height
 H2 = Door height
 H3 = Enclosure opening height
 H4 = Door strip usable height between holes
 H5 = Door lock location
 H6 = Mounting bracket hole distance
 H10 = Hole for Disconnect location
 N = Number of hole pitch patterns in door strip

T1 = Overall depth
 T2 = Enclosure depth
 T3 = Usable depth

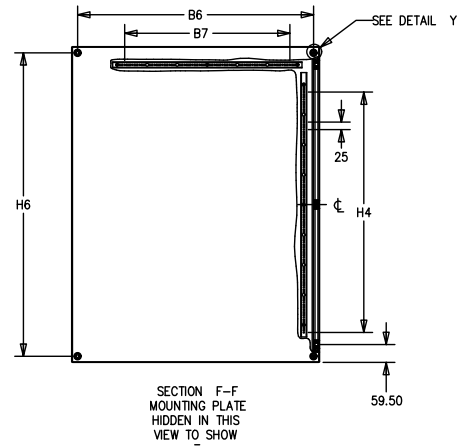
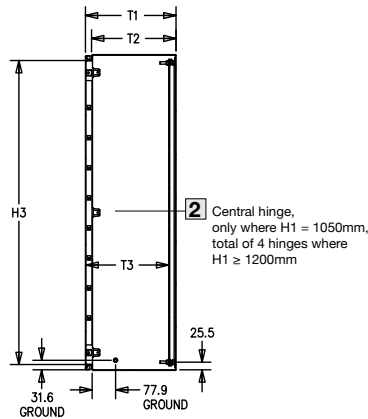
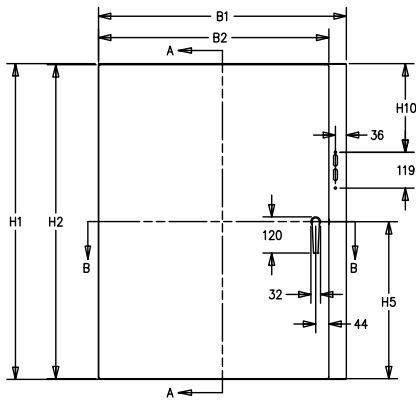
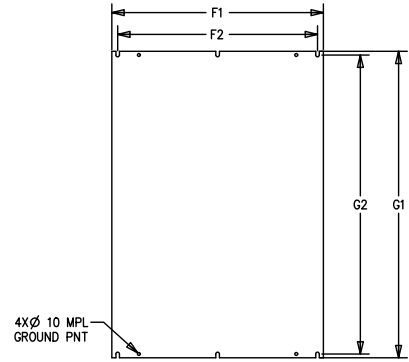
F1 = MPL width
 F2 = MPL Mounting hole distance
 G1 = MPL height
 G2 = MPL Mounting hole distance



SECTION B-B



SECTION C-C



Model No. WM	Width Dimensions mm							Height Dimensions mm							Depth Dimensions mm			Mounting Plate mm				Material Thickness mm			
	B1	B2	B3	B4	B5	B6	B7	H1	H2	H3	H4	H5	H6	H10	N	T1	T2	T3	F1	F2	G1	G2	Body	Door	MPL
8017585	825	755	736	593	613	785	550	1050	1045	1010	800	523	1010	296	24	301.7	280	275	704	665	1020	995	2	2	3
8017589	975	895	886	743	763	935	550	1200	1195	1160	950	598	1160	296	30	301.7	280	275	840	801	1155	1130	2	2	3
8017596	975	895	886	743	763	935	550	1200	1195	1160	950	598	1160	296	30	401.7	380	375	840	801	1155	1130	2	2	2
8017592	975	895	886	743	763	935	550	1500	1495	1460	950	748	1460	296	30	301.7	280	275	840	801	1455	1430	2	2	3
8018981	975	895	886	743	763	935	550	1500	1495	1460	950	748	1460	296	30	401.7	380	375	840	801	1455	1430	2	2	3

AX Wallmount Enclosures



Material:

- Housing: Carbon steel
- Door: Carbon steel, all-round foamed-in PU seal
- Mounting panel: Carbon steel

Surface Finish:

- Housing and door: Dipcoat primed, powder-coated RAL 7035 (light gray)
- Mounting panel: Zinc-plated

Protection Rating:

- UL Type 4
- UL Type 3R
- UL Type 12
- IP 66

Supply includes:

- Housing with hinged door
- Mounting panel
- Gland plate(s)

Configuration:

- Single door enclosure
- Pre-drilled wall-mounting holes

Lock:

- 1 x quarter turn with double-bit insert

Door Hinge:

- 2 x hinges (R/H, reversible, discrete)

Door Strip:

- Vertical perforated strips on both sides of the door

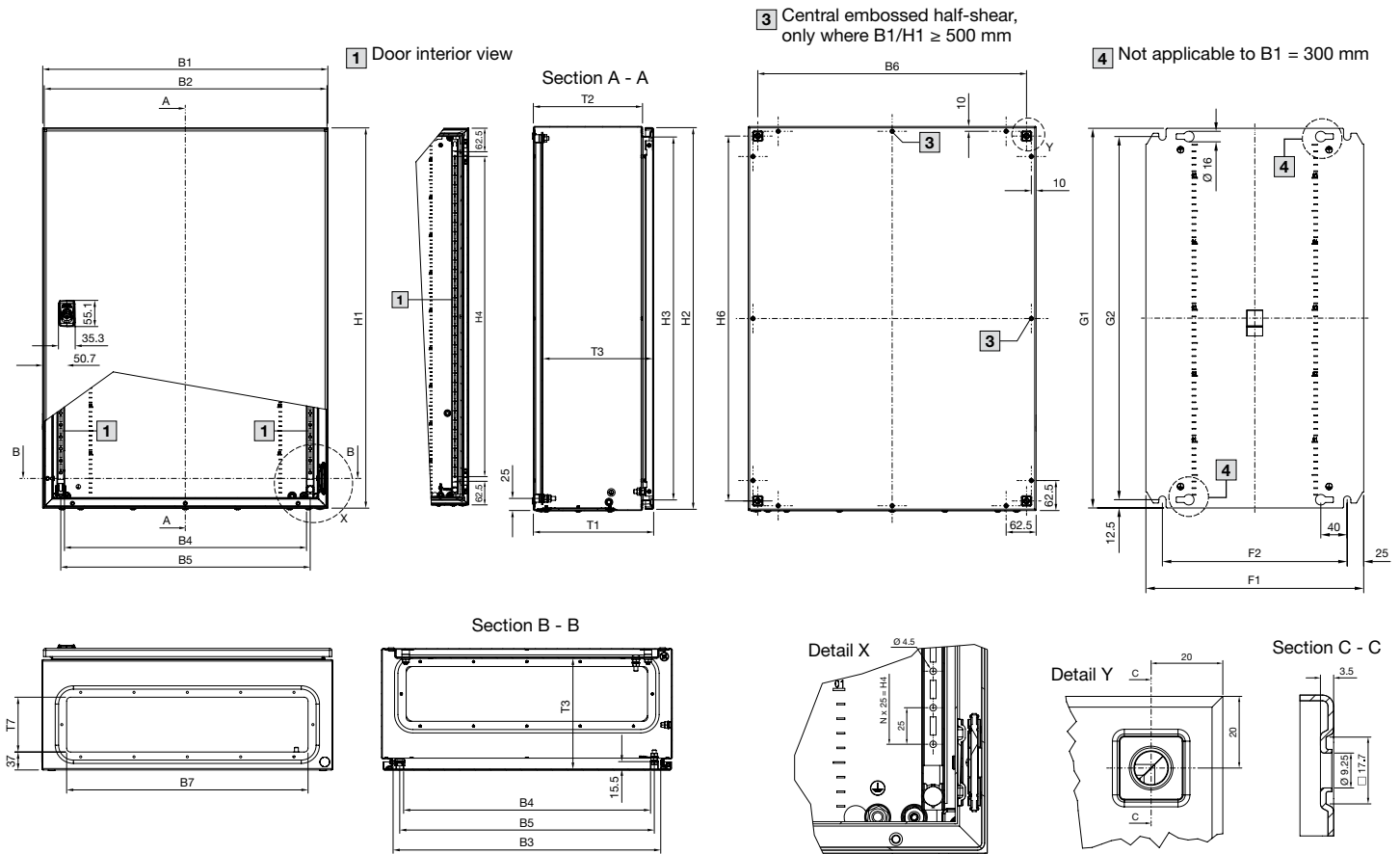
Part No.	H		W		D		Panel H		Panel W		Gland Plate		Pre-drilled Holes		Weight	
	in	mm	in	mm	in	mm	in	mm	in	mm	Qty	Type	Plinths	Eyebolts	lb	kg
1033000	12	300	12	300	8	210	11	275	10	250	1	1	-	-	15.4	7.0
1031000	12	300	15	380	8	210	11	275	13	330	1	2	-	-	16.5	7.5
1380000	15	380	15	380	8	210	14	355	13	330	1	2	-	-	21.6	9.8
1039000	15	380	24	600	8	210	14	355	22	550	1	4	-	-	34.0	15.4
1339000	15	380	24	600	14	350	14	355	22	550	1	7	-	-	44.1	20.0
1034000	16	400	12	300	8	210	15	375	10	250	1	1	-	-	19.4	8.8

Single Door AX

with gland plate and quarter turn latch



- B1 = Enclosure width
- B2 = Door width
- B3 = Enclosure opening width
- B4 = Door clearance width
- B5 = Door strip mounting distance
- B6 = Mounting bracket hole distance
- B7 = Gland plate clearance
- H1 = Enclosure height
- H2 = Door height
- H3 = Enclosure opening height
- H4 = Door strip usable height between holes
- H6 = Mounting bracket hole distance
- N = Number of hole pitch patterns in door strip
- T1 = Overall depth
- T2 = Enclosure depth
- T3 = Usable depth
- T7 = Gland plate clearance depth
- F1 = MPL width
- F2 = MPL Mounting hole distance
- G1 = MPL height
- G2 = MPL Mounting hole distance



Model No. AX	Width Dimensions mm							Height Dimensions mm						Depth Dimensions mm				Mounting Plate mm				Material Thickness mm		
	B1	B2	B3	B4	B5	B6	B7	H1	H2	H3	H4	H6	N	T1	T2	T3	T7	F1	F2	G1	G2	Body	Door	MPL
1033000	300	294	252.7	209.5	225	260	220	300	294	256.5	150	260	6	209.7	187.0	189.0	113	250	200	275	250	1.25	1.5	2.0
1031000	380	374	332.7	289.5	305	340	303	300	294	256.5	150	260	6	209.7	187.0	189.0	113	330	280	275	250	1.25	1.5	2.0
1380000	380	374	332.7	289.5	305	340	303	380	374	336.5	250	340	10	209.7	187.0	189.0	113	330	280	355	330	1.25	1.5	2.5
1039000	600	594	552.7	509.5	525	560	498	380	374	336.5	250	340	10	209.7	187.0	188.5	113	550	500	355	330	1.25	1.5	2.5
1339000	600	594	552.2	509.5	525	560	400	380	374	336	250	340	10	350.2	327.5	328.7	185	550	500	355	330	1.5	1.5	2.5
1034000	300	294	252.7	209.5	225	260	220	400	394	356.5	250	360	10	209.7	187.0	189.0	113	250	200	375	350	1.25	1.5	2.0

AX Wallmount Enclosures



Material:

- Housing: Carbon steel
- Door: Carbon steel, all-round foamed-in PU seal
- Mounting panel: Carbon steel

Surface Finish:

- Housing and door: Dipcoat primed, powder-coated RAL 7035 (light gray)
- Mounting panel: Zinc-plated

Protection Rating:

- UL Type 4
- UL Type 3R
- UL Type 12
- IP 66

Supply includes:

- Housing with hinged door
- Mounting panel
- Gland plate(s)

Configuration:

- Single door enclosure
- Pre-drilled wall-mounting holes

Lock:

- 2 x quarter turn with double-bit insert

Door Hinge:

- 2 x hinges (R/H, reversible, discrete)

Door Strip:

- Vertical perforated strips on both sides of the door

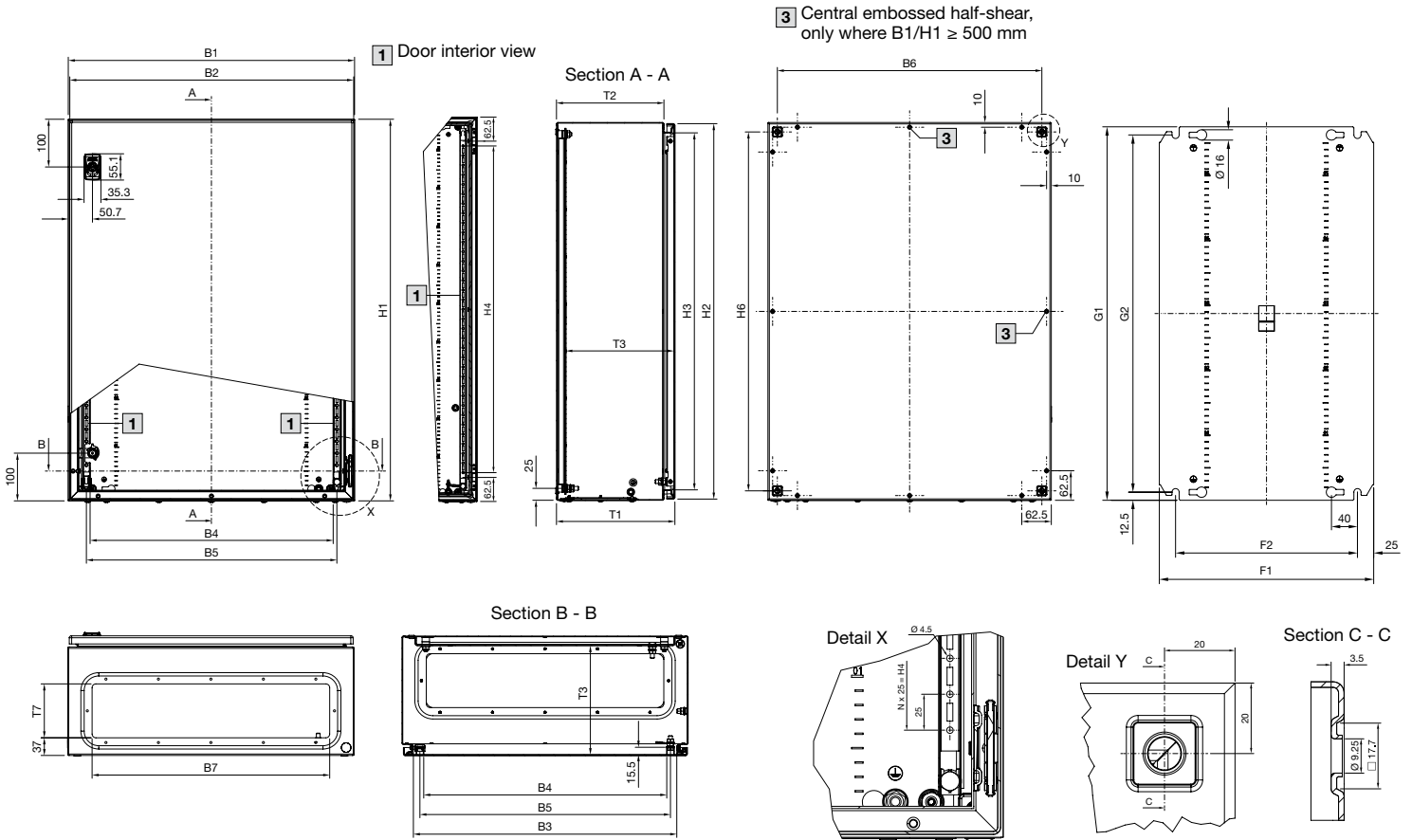
Part No.	H		W		D		Panel H		Panel W		Gland Plate		Pre-drilled Holes		Weight	
	in	mm	in	mm	in	mm	in	mm	in	mm	Qty	Type	Plinths	Eyebolts	lb	kg
1045000	20	500	16	400	8	210	19	475	14	350	1	2	-	-	28.7	13.0
1050000	20	500	20	500	8	210	19	475	18	450	1	3	-	-	37.0	16.8
1350000	20	500	20	500	12	300	19	475	18	450	1	6	-	-	43.2	19.6
1038000	24	600	15	380	8	210	23	575	13	330	1	2	-	-	34.4	15.6
1338000	24	600	15	380	14	350	23	575	13	330	1	5	-	-	42.8	19.4
1060000	24	600	24	600	8	210	23	575	22	550	1	4	-	-	50.3	22.8
1054000	24	600	24	600	10	250	23	575	22	550	1	4	-	-	54.7	24.8
1360000	24	600	24	600	14	350	23	575	22	550	1	7	-	-	62.6	28.4
1057000	28	700	20	500	10	250	27	675	18	450	1	3	-	-	68.8	31.2
1076000	30	760	24	600	8	210	29	735	22	550	1	4	-	-	70.8	32.1
1376000	30	760	24	600	14	350	29	735	22	550	1	7	-	-	79.4	36.0

Single Door AX

with gland plate and two quarter turn latches



- B1 = Enclosure width
- B2 = Door width
- B3 = Enclosure opening width
- B4 = Door clearance width
- B5 = Door strip mounting distance
- B6 = Mounting bracket hole distance
- B7 = Gland plate clearance width
- H1 = Enclosure height
- H2 = Door height
- H3 = Enclosure opening height
- H4 = Door strip usable height between holes
- H6 = Mounting bracket hole distance
- N = Number of hole pitch patterns in door strip
- T1 = Overall depth
- T2 = Enclosure depth
- T3 = Usable depth
- T7 = Gland plate clearance depth
- F1 = MPL width
- F2 = MPL Mounting hole distance
- G1 = MPL height
- G2 = MPL Mounting hole distance



Model No. AX	Width Dimensions mm							Height Dimensions mm						Depth Dimensions mm				Mounting Plate mm				Material Thickness mm		
	B1	B2	B3	B4	B5	B6	B7	H1	H2	H3	H4	H6	N	T1	T2	T3	T7	F1	F2	G1	G2	Body	Door	MPL
1045000	400	394	352.7	309.5	325	360	303	500	494	456.5	350	460	14	209.7	187.0	189.0	113	350	300	475	450	1.25	1.5	2.0
1050000	500	494	452.7	409.5	425	460	411	500	494	456.5	350	460	14	209.7	187.0	189.0	113	450	400	475	450	1.25	1.5	2.5
1350000	500	494	452.2	409.5	425	460	365	500	494	456	350	460	14	300.2	277.5	278.7	185	450	400	475	450	1.5	1.5	2.5
1038000	380	374	332.7	289.5	305	340	303	600	594	556.5	450	560	18	209.7	187.0	188.5	113	330	280	575	550	1.25	1.5	2.5
1338000	380	374	332.2	289.5	305	340	265	600	594	556.5	450	560	18	350.2	327.5	328.7	185	330	280	575	550	1.5	1.5	2.5
1060000	600	594	552.2	509.5	525	560	498	600	594	556	450	560	18	210.2	187.5	188.7	113	550	500	575	550	1.5	1.5	2.5
1054000	600	594	552.2	509.5	525	560	498	600	594	556	450	560	18	250.2	227.5	228.7	113	550	500	575	550	1.5	1.5	2.5
1360000	600	594	552.2	509.5	525	560	400	600	594	556	450	560	18	350.2	327.5	328.7	185	550	500	575	550	1.5	1.5	2.5
1057000	500	495	452.2	409.5	425	460	411	700	695	656	550	660	22	250.7	227.5	228.7	113	450	400	675	650	1.5	2.0	2.5
1076000	600	595	552.2	509.5	525	560	498	760	775	716	600	720	24	210.7	187.5	188.7	113	550	500	735	710	1.5	2.0	2.5
1376000	600	595	552.2	509.5	525	560	400	760	755	716	600	720	24	350.7	327.5	328.7	185	550	500	735	710	1.5	2.0	2.5

AX Wallmount Enclosures



Material:

- Housing: Carbon steel
- Door: Carbon steel, all-round foamed-in PU seal
- Mounting panel: Carbon steel

Surface Finish:

- Housing and door: Dipcoat primed, powder-coated RAL 7035 (light gray)
- Mounting panel: Zinc-plated

Protection Rating:

- UL Type 4
- UL Type 3R
- UL Type 12
- IP 66

Supply includes:

- Housing with hinged door
- Mounting panel with vertical folds
- Gland plate(s)

Configuration:

- Single door enclosure
- Pre-drilled wall-mounting holes

Lock:

- 2 x quarter turn with double-bit insert

Door Hinge:

- 2 x hinges for 32" high and below
- 3 x hinges for 40" high and above

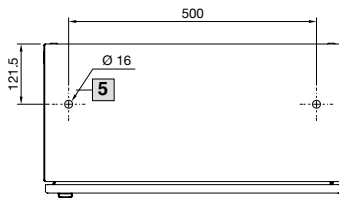
Door Strip:

- Vertical perforated strips on both sides of the door

Part No.	H		W		D		Panel H		Panel W		Gland Plate		Pre-drilled Holes		Weight	
	in	mm	in	mm	in	mm	in	mm	in	mm	Qty	Type	Plinths	Eyebolts	lb	kg
1037000	32	800	16	400	12	300	31	775	14	345	1	5	-	-	57.8	26.2
1058000	32	800	24	600	9.8	250	31	775	21	545	1	4	-	-	74.1	33.6
1059000	32	800	24	600	16	400	31	775	21	545	1	7	x	x	86.0	39.0
1090000	40	1000	24	600	9.8	250	38	975	21	545	1	4	-	-	111.3	50.5
1091000	40	1000	24	600	16	400	38	975	21	545	1	7	x	x	114.6	52.0

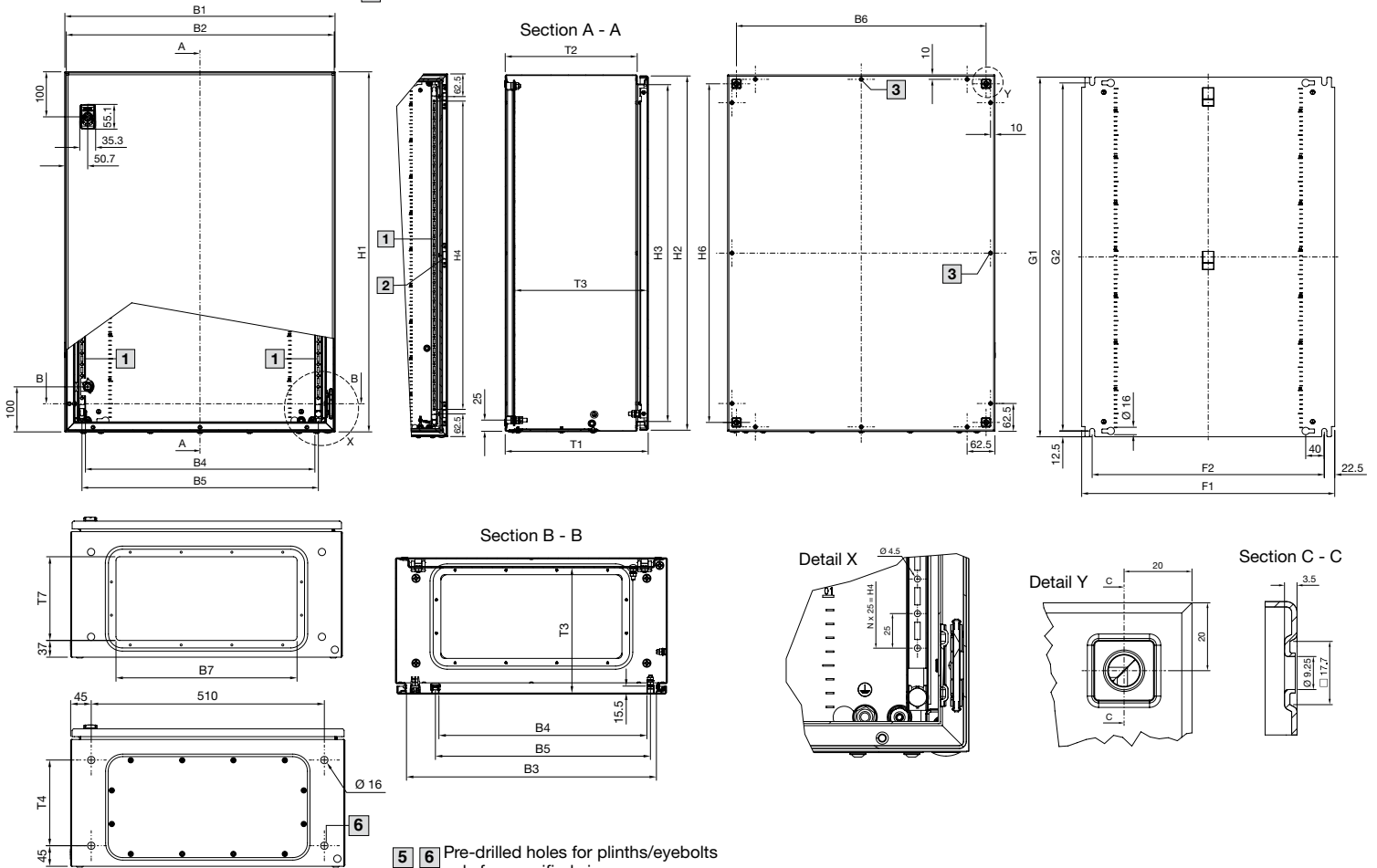
Single Door AX

with gland plate and two quarter turn latches



- B1 = Enclosure width
- B2 = Door width
- B3 = Enclosure opening width
- B4 = Door clearance width
- B5 = Door strip mounting distance
- B6 = Mounting bracket hole distance
- B7 = Gland plate clearance
- H1 = Enclosure height
- H2 = Door height
- H3 = Enclosure opening height
- H4 = Door strip usable height between holes
- H6 = Mounting bracket hole distance
- N = Number of hole pitch patterns in door strip
- T1 = Overall depth
- T2 = Enclosure depth
- T3 = Usable depth
- T4 = Spacing between plinth holes
- T7 = Gland plate clearance depth
- F1 = MPL width
- F2 = MPL Mounting hole distance
- G1 = MPL height
- G2 = MPL Mounting hole distance

- 1 Door interior view
- 2 Central hinge, only where H1 > 800 mm
- 3 Central embossed half-shear, only where B1/H1 ≥ 500 mm



- 5 6 Pre-drilled holes for plinths/eyebolts only for specified sizes

Model No. AX	Width Dimensions mm							Height Dimensions mm						Depth Dimensions mm					Mounting Plate mm				Material Thickness mm		
	B1	B2	B3	B4	B5	B6	B7	H1	H2	H3	H4	H6	N	T1	T2	T3	T4	T7	F1	F2	G1	G2	Body	Door	MPL
1037000	400	395	352.2	309.5	325	360	265	800	795	756	650	760	26	300.7	277.5	278.7	-	185	345	300	775	750	1.5	2.0	2.5
1058000	600	595	552.2	509.5	525	560	498	800	795	756	650	760	26	250.7	227.5	228.7	-	113	545	500	775	750	1.5	2.0	2.5
1059000	600	595	552.2	509.5	525	560	400	800	795	756	650	760	26	400.7	377.5	378.7	287.5	185	545	500	775	750	1.5	2.0	2.5
1090000	600	595	552.2	509.5	525	560	498	1000	995	956	850	960	34	250.7	227.5	228.7	-	113	545	500	975	950	1.5	2.0	2.5
1091000	600	595	552.2	509.5	525	560	400	1000	995	956	850	960	34	400.7	377.5	378.7	287.5	185	545	500	975	950	1.5	2.0	2.5

AX Wallmount Enclosures



Material:

- Housing: Carbon steel
- Door: Carbon steel, all-round foamed-in PU seal
- Mounting panel: Carbon steel

Surface Finish:

- Housing and door: Dipcoat primed, powder-coated RAL 7035 (light gray)
- Mounting panel: Zinc-plated

Protection Rating:

- UL Type 4
- UL Type 3R
- UL Type 12
- IP 66

Supply includes:

- Housing with hinged door
- Mounting panel with vertical folds
- Gland plate(s)

Configuration:

- Single door enclosure
- Pre-drilled wall-mounting holes

Lock:

- 2 x quarter turn with double-bit inserts

Door Hinge:

- 2 x hinges for 32" high and below
- 3 x hinges for 40" high and above

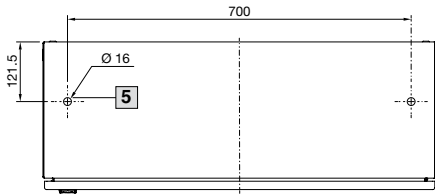
Door Strip:

- Vertical perforated strips on both sides of the door

Part No.	H		W		D		Panel H		Panel W		Gland Plate		Pre-drilled Holes		Weight	
	in	mm	in	mm	in	mm	in	mm	in	mm	Qty	Type	Plinths	Eyebolts	lb	kg
1055000	24	600	32	800	12	300	23	575	30	750	2	5	x	x	74.7	33.9
1077000	30	760	30	760	8	210	29	735	28	705	2	2	-	-	88.2	40.0
1073000	30	760	30	760	12	300	29	735	28	705	2	5	-	-	98.1	44.5
1180000	40	1000	32	800	12	300	38	975	29	745	2	5	x	x	125.7	57.0
1181000	40	1000	32	800	16	400	38	975	29	745	2	5	x	x	134.5	61.0

Single Door AX

with two gland plates and two quarter turn latches



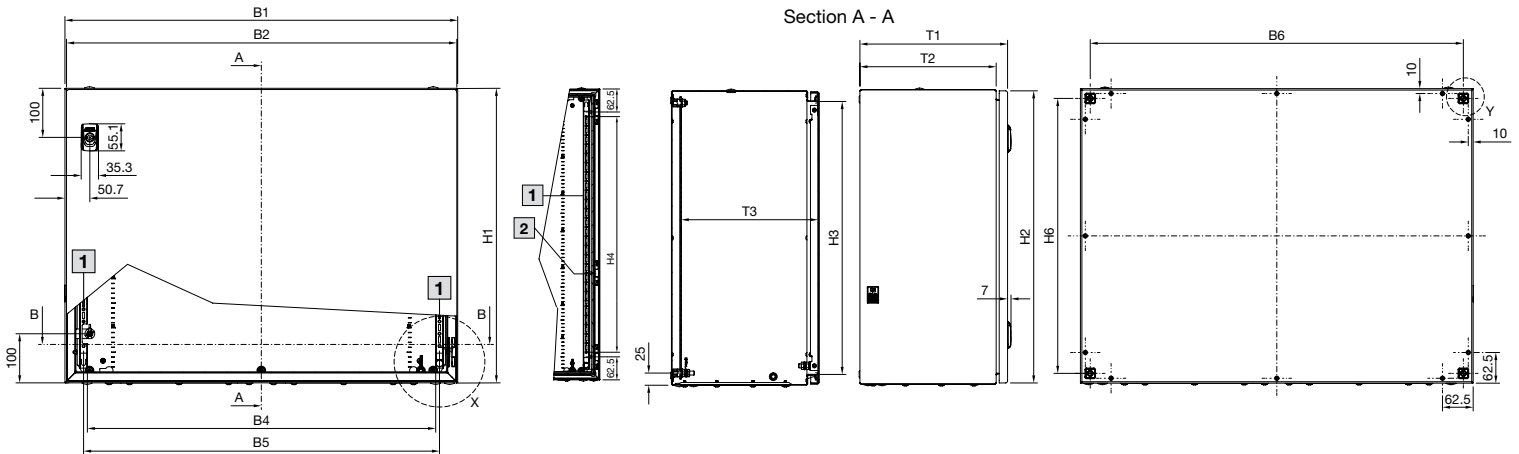
B1 = Enclosure width
 B2 = Door width
 B3 = Enclosure opening width
 B4 = Door clearance width
 B5 = Door strip mounting distance
 B6 = Mounting bracket hole distance
 B7 = Gland plate clearance

H1 = Enclosure height
 H2 = Door height
 H3 = Enclosure opening height
 H4 = Door strip usable height
 H5 = Door lock location
 H6 = Mounting bracket hole distance
 N = Number of hole pitch patterns in door strip

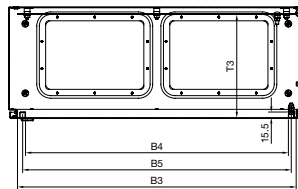
T1 = Overall depth
 T2 = Enclosure depth
 T3 = Usable depth
 T4 = Spacing between plinth holes
 T7 = Gland plate clearance depth

F1 = MPL width
 F2 = MPL Mounting hole distance
 G1 = MPL height
 G2 = MPL Mounting hole distance

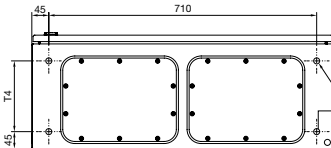
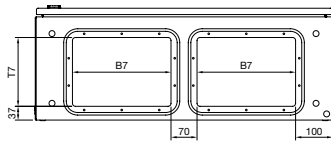
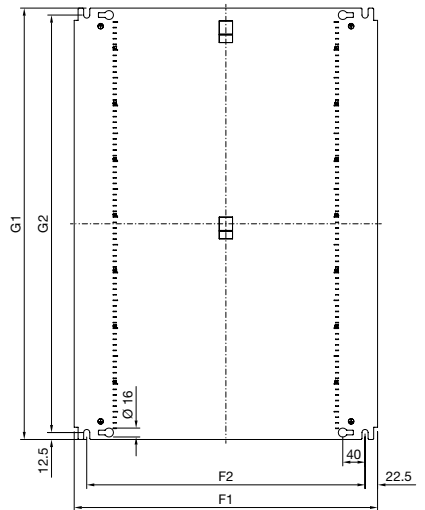
- 1 Door interior view
- 2 Central hinge, only where H1 > 800 mm



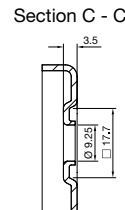
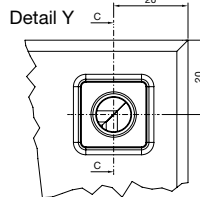
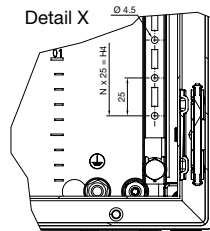
Section B - B



Note: 1055.000 has flat mounting panel as shown on page 33



5 6 Pre-drilled holes for plinths/eyebolts only for specified sizes



Model No. AX	Width Dimensions mm							Height Dimensions mm							Depth Dimensions mm					Mounting Plate mm				Material Thickness mm		
	B1	B2	B3	B4	B5	B6	B7	H1	H2	H3	H4	H5	H6	N	T1	T2	T3	T4	T7	F1	F2	G1	G2	Body	Door	MPL
1055000	800	795	752.2	709.5	725	760	265	600	595	556	450	560	185	18	300.7	277.5	278.7	187.5	185	750	700	575	550	1.5	2.0	2.5
1077000	760	755	712.2	669.5	685	720	303	760	755	716	600	720	113	24	210.7	187.5	188.7	-	113	705	660	735	710	1.5	2.0	2.5
1073000	760	755	712.2	669.5	685	720	265	760	755	716	600	720	185	24	300.7	277.5	278.7	-	185	705	660	735	710	1.5	2.0	2.5
1180000	800	795	752.2	709.5	725	760	265	1000	995	956	850	960	185	34	300.7	277.5	278.7	187.5	185	745	700	975	950	1.5	2.0	2.5
1181000	800	795	752.2	709.5	725	760	265	1000	995	956	850	960	185	34	400.7	377.5	378.7	287.5	185	745	700	975	950	1.5	2.0	2.5

AX Wallmount Enclosures



Material:

- Housing: Carbon steel
- Door: Carbon steel, all-round foamed-in PU seal
- Mounting panel: Carbon steel

Surface Finish:

- Housing and door: Dipcoat primed, powder-coated RAL 7035 (light gray)
- Mounting panel: Zinc-plated

Protection Rating:

- UL Type 4
- UL Type 3R
- UL Type 12
- IP 66

Supply includes:

- Housing with hinged door
- Mounting panel with vertical folds
- Gland plate(s)

Configuration:

- Single door enclosure
- Pre-drilled wall-mounting holes

Lock:

- 3-point locking system handle with double-bit insert

Door Hinge:

- 3 x hinges (R/H, reversible, discrete)

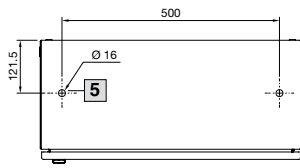
Door Strip:

- Vertical perforated strips on both sides of the door

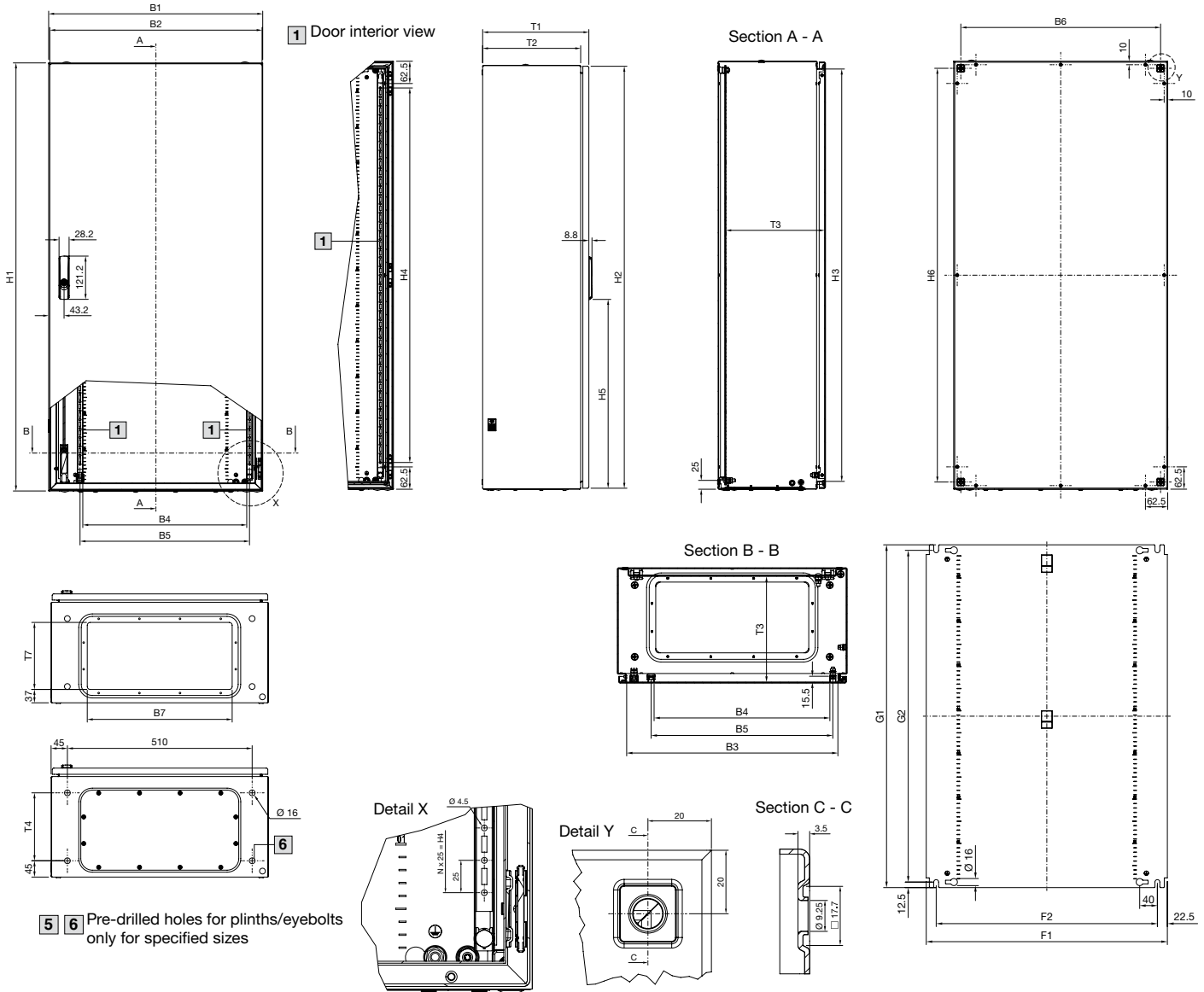
Part No.	H		W		D		Panel H		Panel W		Gland Plate		Pre-drilled Holes		Weight	
	in	mm	in	mm	in	mm	in	mm	in	mm	Qty	Type	Plinths	Eyebolts	lb	kg
1260000	48	1200	24	600	12	300	46	1175	21	545	1	7	x	x	121.3	55
1261000	48	1200	24	600	16	400	46	1175	21	545	1	7	x	x	123.5	56

Single Door AX

with gland plate and 3-point latch



- B1 = Enclosure width
- B2 = Door width
- B3 = Enclosure opening width
- B4 = Door clearance width
- B5 = Door strip mounting distance
- B6 = Mounting bracket hole distance
- B7 = Gland plate clearance
- H1 = Enclosure height
- H2 = Door height
- H3 = Enclosure opening height
- H4 = Door strip usable height between holes
- H5 = Door lock location distance
- H6 = Mounting bracket hole distance
- N = Number of hole pitch patterns in door strip
- T1 = Overall depth
- T2 = Enclosure depth
- T3 = Usable depth
- T4 = Spacing between plinth holes
- T7 = Gland plate clearance depth
- F1 = MPL width
- F2 = MPL Mounting hole distance
- G1 = MPL height
- G2 = MPL Mounting hole distance



5 6 Pre-drilled holes for plinths/eyebolts only for specified sizes

Model No. AX	Width Dimensions mm							Height Dimensions mm							Depth Dimensions mm					Mounting Plate mm				Material Thickness mm		
	B1	B2	B3	B4	B5	B6	B7	H1	H2	H3	H4	H5	H6	N	T1	T2	T3	T4	T7	F1	F2	G1	G2	Body	Door	MPL
1260000	600	595	552.2	459.5	475	560	400	1200	1195	1156	1050	534.7	1160	42	300.7	277.5	277.2	187.5	185	545	500	1175	1150	1.5	2.0	2.5
1261000	600	595	552.2	459.5	475	560	400	1200	1195	1156	1050	534.7	1160	42	400.7	377.5	377.2	287.5	185	545	500	1175	1150	1.5	2.0	2.5

AX Wallmount Enclosures



Material:

- Housing: Carbon steel
- Door: Carbon steel, all-round foamed-in PU seal
- Mounting panel: Carbon steel

Surface Finish:

- Housing and door: Dipcoat primed, powder-coated RAL 7035 (light gray)
- Mounting panel: Zinc-plated

Protection Rating:

- UL Type 4
- UL Type 3R
- UL Type 12
- IP 66

Supply includes:

- Housing with hinged door
- Mounting panel with vertical folds
- Gland plate(s)

Configuration:

- Single door enclosure
- Pre-drilled wall-mounting holes

Lock:

- 3-point locking system handle with double-bit insert

Door Hinge:

- 3 x hinges (R/H, reversible, discrete)

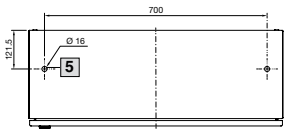
Door Strip:

- Vertical perforated strips on both sides of the door

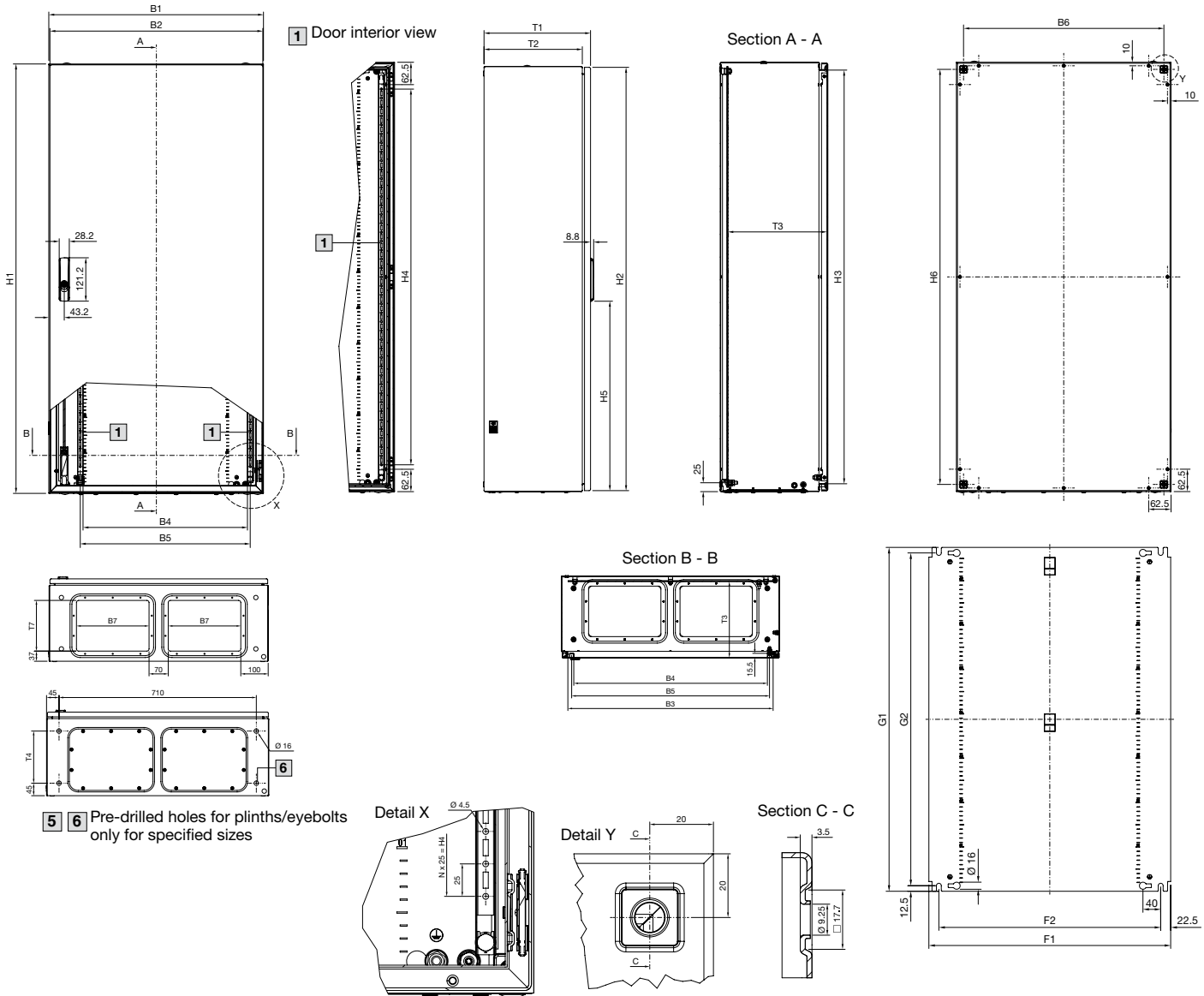
Part No.	H		W		D		Panel H		Panel W		Gland Plate		Pre-drilled Holes		Weight	
	in	mm	in	mm	in	mm	in	mm	in	mm	Qty	Type	Plinths	Eyebolts	lb	kg
1280000	48	1200	32	800	12	300	46	1175	29	745	2	5	x	x	154.3	70
1281000	48	1200	32	800	16	400	46	1175	29	745	2	5	x	x	156.5	71

Single Door AX

with two gland plates and 3-point latch



- B1 = Enclosure width
- B2 = Door width
- B3 = Enclosure opening width
- B4 = Door clearance width
- B5 = Door strip mounting distance
- B6 = Mounting bracket hole distance
- B7 = Gland plate clearance
- H1 = Enclosure height
- H2 = Door height
- H3 = Enclosure opening height
- H4 = Door strip usable height between holes
- H5 = Door lock location distance
- H6 = Mounting bracket hole distance
- N = Number of hole pitch patterns in door strip
- T1 = Overall depth
- T2 = Enclosure depth
- T3 = Usable depth
- T4 = Spacing between plinth holes
- T7 = Gland plate clearance depth
- F1 = MPL width
- F2 = MPL Mounting hole distance
- G1 = MPL height
- G2 = MPL Mounting hole distance



Model No. AX	Width Dimensions mm							Height Dimensions mm							Depth Dimensions mm					Mounting Plate mm				Material Thickness mm		
	B1	B2	B3	B4	B5	B6	B7	H1	H2	H3	H4	H5	H6	N	T1	T2	T3	T4	T7	F1	F2	G1	G2	Body	Door	MPL
1280000	800	795	752.2	659.5	675	760	265	1200	1195	1156	1050	534.7	1160	42	300.7	277.5	278.7	187.5	185	745	700	1175	1150	1.5	2.0	2.5
1281000	800	795	752.2	659.5	675	760	265	1200	1195	1156	1050	534.7	1160	42	400.7	377.5	378.7	287.5	185	745	700	1175	1150	1.5	2.0	2.5

AX Wallmount Enclosures



Material:

- Housing: Carbon steel
- Doors: Carbon steel, all-round foamed-in PU seal
- Mounting panel: Carbon steel

Surface Finish:

- Housing and doors: Dipcoat primed, powder-coated RAL 7035 (light gray)
- Mounting panel: Zinc-plated

Protection Rating:

- UL Type 12
- IP 55

Supply includes:

- Housing with hinged door
- Mounting panel with vertical folds
- Gland plate(s)

Configuration:

- Double door enclosure
- Pre-drilled wall-mounting holes

Lock:

- 2 x quarter turn with double-bit inserts

Door Hinge:

- 2 x hinges for 30" high
- 3 x hinges for 40" high

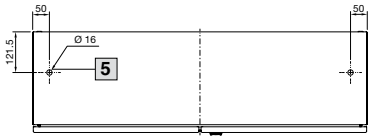
Door Strip:

- Vertical perforated strips on both sides of the door

Part No.	H		W		D		Panel H		Panel W		Gland Plate		Pre-drilled Holes		Weight	
	in	mm	in	mm	in	mm	in	mm	in	mm	Qty	Type	Plinths	Eyebolts	lb	kg
1100000	30	760	40	1000	8	210	29	735	37	945	2	3	-	-	114.6	52.0
1130000	30	760	40	1000	12	300	29	735	37	945	2	6	x	x	123.5	56.0
1110000	40	1000	40	1000	12	300	38	975	37	945	2	6	x	x	156.5	71.0

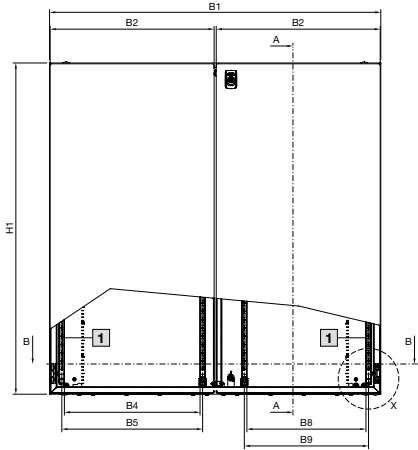
Double Door AX

with two gland plates and two quarter turn latches

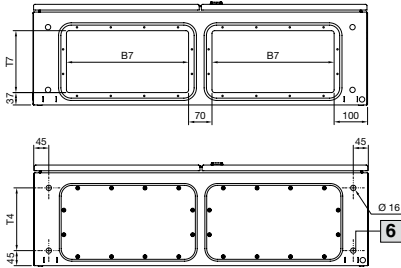
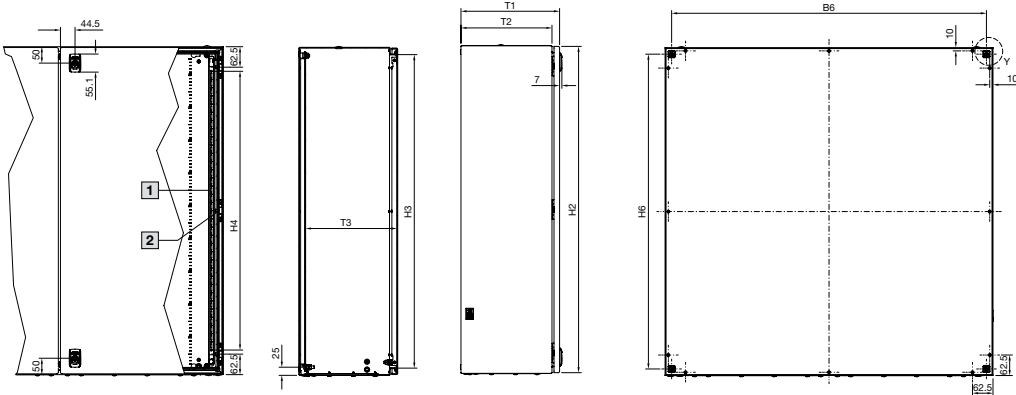


- 1** Door interior view
- 2** Central hinge, only where H1 > 800 mm

- B1 = Enclosure width
- B2 = Door width
- B3 = Enclosure opening width
- B4 = Door clearance width LH
- B5 = Door strip mounting distance LH
- B6 = Mounting bracket hole distance
- B7 = Gland plate clearance width
- B8 = Door clearance width, RH
- B9 = Door strip mounting distance, RH
- H1 = Enclosure height
- H2 = Door height
- H3 = Enclosure opening height
- H4 = Door clearance height
- H6 = Mounting bracket hole distance
- N = Number of door strip installation location
- T1 = Overall depth
- T2 = Enclosure depth
- T3 = Usable depth
- T4 = Spacing between plinth holes
- T7 = Gland plate clearance depth
- F1 = MPL width
- F2 = MPL Mounting hole distance
- G1 = MPL height
- G2 = MPL Mounting hole distance

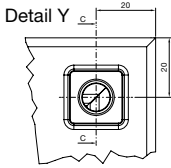
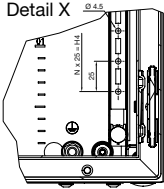
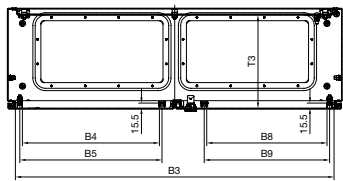


Section A - A

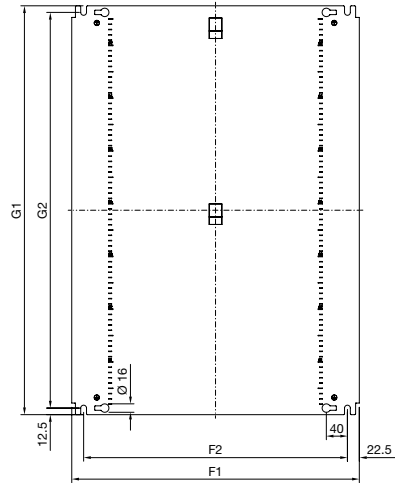
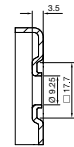


- 5 6** Pre-drilled holes for plinths/eyebolts only for specified sizes

Section B - B



Section C - C



Model No. AX	Width Dimensions mm									Height Dimensions mm						Depth Dimensions mm					Mounting Plate mm				Material Thickness mm		
	B1	B2	B3	B4	B5	B6	B7	B8	B9	H1	H2	H3	H4	H6	N	T1	T2	T3	T4	T7	F1	F2	G1	G2	Body	Door	MPL
1100000	1000	495	952.4	409.5	425	960	411	359.5	375	760	755	716	600	720	24	210.7	187.5	188.7	-	113	945	900	735	710	1.5	2.0	2.5
1130000	1000	495	952.4	409.5	425	960	365	359.5	375	760	755	716	600	720	24	300.7	277.5	278.7	187.5	185	945	900	735	710	1.5	2.0	2.5
1110000	1000	495	952.4	409.5	425	960	365	359.5	375	1000	995	956	850	960	34	300.7	277.5	278.7	187.5	185	945	900	975	950	1.5	2.0	2.5

AX Wallmount Enclosures



Material:

- Housing: Carbon steel
- Doors: Carbon steel, all-round foamed-in PU seal
- Mounting panel: Carbon steel

Surface Finish:

- Housing and doors: Dipcoat primed, powder-coated RAL 7035 (light gray)
- Mounting panel: Zinc-plated

Protection Rating:

- UL Type 12
- IP 55

Supply includes:

- Housing with hinged door
- Mounting panel with vertical folds
- Gland plate(s)

Configuration:

- Double door enclosure
- Pre-drilled wall-mounting holes

Lock:

- 3-point locking system handle with double-bit insert

Door Hinge:

- 3 x hinges (R/H, reversible, discrete)

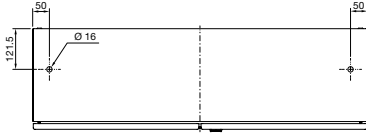
Door Strip:

- Vertical perforated strips on both sides of the door

Part No.	H		W		D		Panel H		Panel W		Gland Plate		Pre-drilled Holes		Weight	
	in	mm	in	mm	in	mm	in	mm	in	mm	Qty	Type	Plinths	Eyebolts	lb	kg
1213000	48	1200	40	1000	12	300	46	1175	37	945	2	6	x	x	187.4	85.0
1214000	48	1200	40	1000	16	400	46	1175	37	945	2	6	x	x	189.6	86.0
1116000	48	1200	48	1200	16	400	46	1175	45	1145	2	7	x	x	224.9	102.0
1114000	55	1400	40	1000	12	300	54	1375	37	945	2	6	x	x	213.8	97.0
1115000	55	1400	40	1000	16	400	54	1375	37	945	2	6	x	x	220.5	100.0

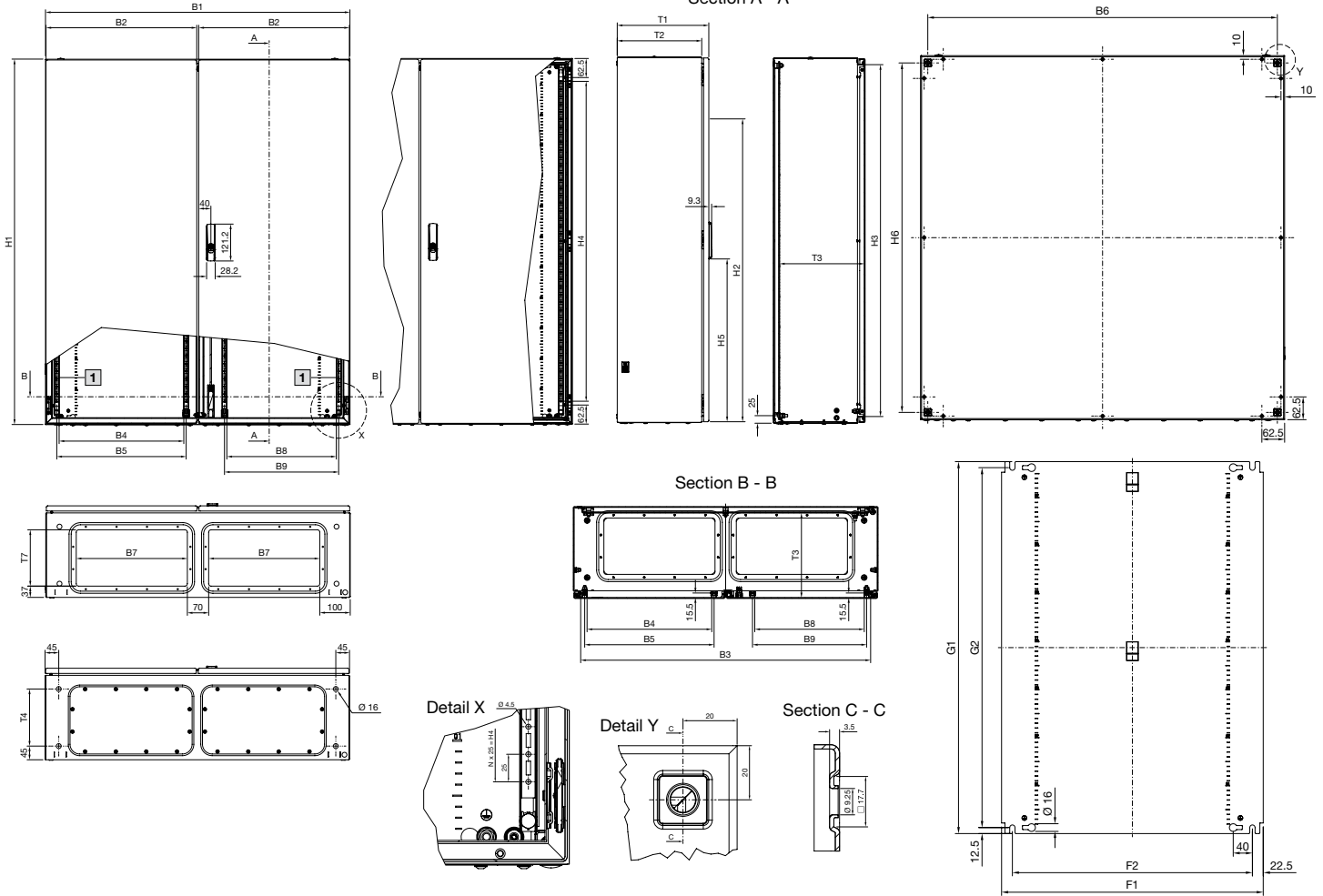
Double Door AX

with two gland plates and 3-point latch



- B1 = Enclosure width
- B2 = Door width
- B3 = Enclosure opening width
- B4 = Door clearance width LH
- B5 = Door strip mounting distance LH
- B6 = Mounting bracket hole distance
- B7 = Gland plate clearance width
- B8 = Door clearance width, RH
- B9 = Door strip mounting distance, RH
- H1 = Enclosure height
- H2 = Door height
- H3 = Enclosure opening height
- H4 = Door clearance height
- H5 = Door lock location
- H6 = Mounting bracket hole distance
- N = Number of door strip installation location
- T1 = Overall depth
- T2 = Enclosure depth
- T3 = Usable depth
- T4 = Spacing between plinth holes
- T7 = Gland plate clearance depth
- F1 = MPL width
- F2 = MPL Mounting hole distance
- G1 = MPL height
- G2 = MPL Mounting hole distance

1 Door interior view



Model No. AX	Width Dimensions mm									Height Dimensions mm							Depth Dimensions mm					Mounting Plate mm				Material Thick- ness mm		
	B1	B2	B3	B4	B5	B6	B7	B8	B9	H1	H2	H3	H4	H5	H6	N	T1	T2	T3	T4	T7	F1	F2	G1	G2	Body	Door	MPL
1213000	1000	495	952.4	409.5	425	960	365	359.5	375	1200	1195	1156	1050	534.7	1160	42	300.7	277.5	278.7	187.5	185	945	900	1175	1150	1.5	2.0	2.5
1214000	1000	495	952.4	409.5	425	960	365	359.5	375	1200	1195	1156	1050	534.7	1160	42	400.7	377.5	378.7	287.5	185	945	900	1175	1150	1.5	2.0	2.5
1116000	1200	595	1152.4	509.5	525	1160	400	459.5	475	1200	1195	1156	1050	534.7	1160	42	400.7	377.5	378.7	287.5	185	1145	1100	1175	1150	1.5	2.0	2.5
1114000	1000	495	952.4	409.5	425	960	365	359.5	375	1400	1395	1356	1250	634.7	1360	50	300.7	277.5	278.7	187.5	185	945	900	1375	1350	1.5	2.0	2.5
1115000	1000	495	952.4	409.5	425	960	365	359.5	375	1400	1395	1356	1250	634.7	1360	50	400.7	377.5	378.7	287.5	185	945	900	1375	1350	1.5	2.0	2.5

JB Junction Box



Material:

- Housing: Carbon steel
- Door: Carbon steel, all-round foamed-in PU seal
- Mounting panel: Carbon steel

Surface Finish:

- Housing and door: Dipcoat primed, powder-coated RAL 7035 (light gray)
- Mounting panel: Zinc-plated

Protection Rating:

- UL Type 4
- UL Type 3R
- UL Type 12
- IP 66

Supply includes:

- Housing with hinged door
- Mounting panel

Configuration:

- Single door enclosure
- Pre-drilled wall-mounting holes

Lock:

- 1 x quarter turn with screwdriver insert

Door Hinge:

- 2 x hinges

Part No.	Catalog No.	H		W		D		Panel H		Panel W		Weight	
		in	mm	in	mm	in	mm	in	mm	in	mm	lb	kg
8018098	JB060604HC	6	150	6	150	4	100	5	135	5	125	3.5	1.6
8018103	JB080604HC	8	200	6	150	4	100	7	185	5	125	4.0	1.8
8018123	JB080606HC	8	200	6	150	6	150	7	185	5	125	4.6	2.1
8018105	JB080804HC	8	200	8	200	4	100	7	185	7	175	5.1	2.3
8018097	JB100804HC	10	250	8	200	4	100	9	235	7	175	5.7	2.6
8018104	JB100806HC	10	250	8	200	6	150	9	235	7	175	7.1	3.2
8018107	JB101006HC	10	250	10	250	6	150	9	235	9	225	7.9	3.6
8018122	JB120604HC	12	300	6	150	4	100	11	285	5	125	5.5	2.5
8018099	JB121005HC	12	300	10	250	5	125	11	285	9	225	8.6	3.9
8018585	JB121006HC	12	300	10	250	6	150	11	285	9	225	7.9	3.6
8018125	JB121008HC	12	300	10	250	8	200	11	285	9	225	11.0	5.0
8018100	JB121206HC	12	300	12	300	6	150	11	285	11	275	11.2	5.1
8018102	JB141206HC	14	350	12	300	6	150	13	335	11	275	11.9	5.4
8018101	JB161406HC	16	400	14	350	6	150	15	385	13	325	14.6	6.6
8018126	JB161408HC	16	400	14	350	8	200	15	385	13	325	16.8	7.6
8018127	JB161410HC	16	400	14	350	10	250	15	385	13	325	18.7	8.5

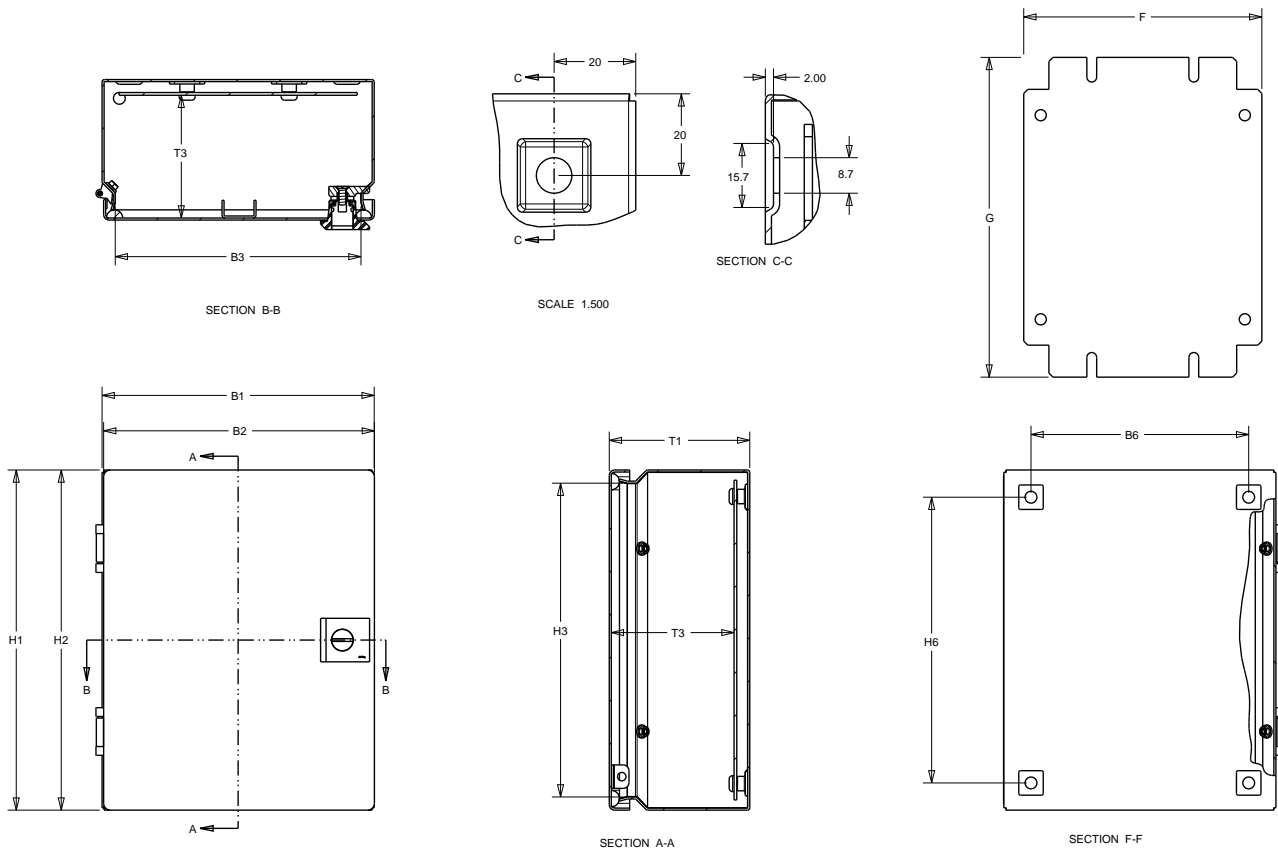
with hinged cover and quarter turn latch

B1 = Enclosure width
 B2 = Door width
 B3 = Enclosure opening width
 B6 = Mounting bracket hole distance

H1 = Enclosure height
 H2 = Door height
 H3 = Enclosure opening height
 H6 = Mounting bracket hole distance

T1 = Overall depth
 T3 = Usable depth

F = MPL width
 G = MPL height



Model No. JB	Width Dimensions mm				Height Dimensions mm				Depth Dimensions mm		Mounting Plate mm		Material Thickness mm		
	B1	B2	B3	B6	H1	H2	H3	H6	T1	T3	F	G	Body	Door	MPL
8018098	150	148	127.7	110	150	148	127.7	110	100	87	125	135	1.5	1.5	1.5
8018103	150	148	127.7	110	200	198	177.7	160	100	87	125	185	1.5	1.5	1.5
8018123	150	148	127.7	110	200	198	177.7	160	150	138	125	185	1.5	1.5	1.5
8018105	200	198	177.7	160	200	198	177.7	160	100	87	175	185	1.5	1.5	1.5
8018097	200	198	177.7	160	250	248	227.7	210	100	87	175	235	1.5	1.5	1.5
8018104	200	198	177.7	160	250	248	227.7	210	150	138	175	235	1.5	1.5	1.5
8018107	250	248	227.7	210	250	248	227.7	210	150	138	225	235	1.5	1.5	1.5
8018122	150	148	127.7	110	300	298	277.7	260	100	87	125	285	1.5	1.5	1.5
8018099	250	248	227.7	210	300	298	277.7	260	125	112	225	285	1.5	1.5	1.5
8018585	250	248	227.7	210	300	298	277.7	260	150	138	225	285	1.5	1.5	1.5
8018125	250	248	227.7	210	300	298	277.7	260	200	187	225	285	1.5	1.5	1.5
8018100	300	298	277.7	260	300	298	277.7	260	150	138	275	285	1.5	1.5	1.5
8018102	300	298	277.7	260	350	348	327.7	310	150	138	275	335	1.5	1.5	1.5
8018101	350	348	327.7	310	400	398	377.7	360	150	138	325	385	1.5	1.5	1.5
8018126	350	348	327.7	310	400	398	377.7	360	200	187	325	385	1.5	1.5	1.5
8018127	350	348	327.7	310	400	398	377.7	360	250	238	325	385	1.5	1.5	1.5

KX Junction Box



Material:

- Housing: Carbon steel
- Door: Carbon steel, all-round foamed-in PU seal
- Mounting panel: Carbon steel

Surface Finish:

- Housing and door: Dipcoat primed, powder-coated RAL 7035 (light gray)
- Mounting panel: Zinc-plated

Protection Rating:

- UL Type 4
- UL Type 3R
- UL Type 12
- IP 66

Supply includes:

- Housing with hinged door
- Mounting panel

Configuration:

- Single door enclosure
- Pre-drilled wall-mounting holes

Lock:

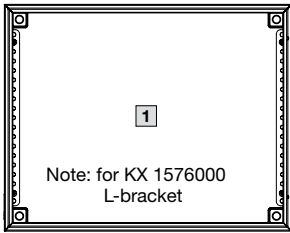
- 1 x quarter turn with double-bit insert

Door Hinge:

- 2 x hinges

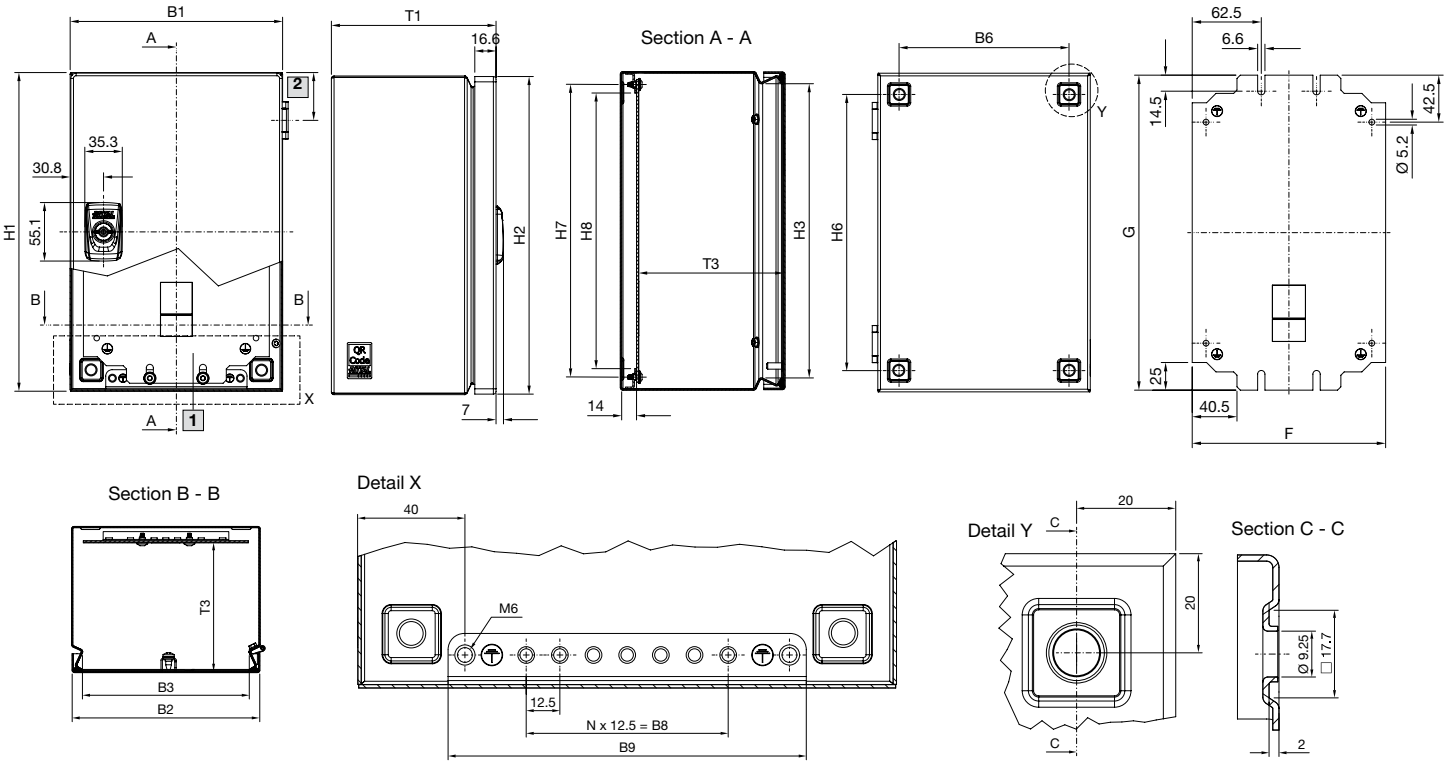
Part No.	H		W		D		Panel H		Panel W		Weight	
	in	mm	in	mm	in	mm	in	mm	in	mm	lb	kg
1551000	5.9	150	5.9	150	3.1	80	5.3	135	4.9	125	3.7	1.7
1553000	5.9	150	5.9	150	4.7	120	5.3	135	4.9	125	4.4	2.0
1546000	7.9	200	7.9	200	3.1	80	7.3	185	6.9	175	5.3	2.4
1549000	7.9	200	7.9	200	4.7	120	7.3	185	6.9	175	6.2	2.8
1545000	12	300	5.9	150	3.1	80	11	285	4.9	125	5.7	2.6
1548000	12	300	5.9	150	4.7	120	11	285	4.9	125	6.6	3.0
1552000	12	300	7.9	200	3.1	80	11	285	6.9	175	7.1	3.2
1554000	12	300	7.9	200	4.7	120	11	285	6.9	175	7.9	3.6
1574000	12	300	7.9	200	6.1	155	11	285	6.9	175	9.9	4.5
1555000	12	300	12	300	4.7	120	11	285	11	275	11.0	5.0
1575000	12	300	12	300	6.1	155	11	285	11	275	13.4	6.1
1576000	12	300	15	380	6.1	155	11	275	14	365	16.5	7.5
1547000	16	400	7.9	200	3.1	80	15	385	6.9	175	9.7	4.4
1550000	16	400	7.9	200	4.7	120	15	385	6.9	175	11.0	5.0
1556000	16	400	12	300	4.7	120	15	385	11	275	14.1	6.4
1577000	16	400	12	300	6.1	155	15	385	11	275	15.7	7.1

with hinged cover and quarter turn latch



- B1 = Enclosure width
- B2 = Door width
- B3 = Enclosure opening width
- B6 = Mounting bracket hole distance
- B8 = L-bracket mounting distance
- B9 = L-bracket width
- N = Number of hole pitch patterns in L-bracket
- H1 = Enclosure height
- H2 = Door height
- H3 = Enclosure opening height
- H6 = Mounting bracket hole distance
- H7 = L-brackets usable height between holes
- H8 = Clearance height between L-brackets
- T1 = Overall depth
- T3 = Usable depth
- F = MPL width
- G = MPL height

- 1 Door interior view
- 2 33 mm where H1 = 150 mm
44 mm where H1 > 150 mm



Model No. KX	Width Dimensions mm							Height Dimensions mm						Depth Dimensions mm		Mounting Plate mm		Material Thickness mm		
	B1	B2	B3	B6	B8	B9	N	H1	H2	H3	H6	H7	H8	T1	T3	F	G	Body	Door	MPL
1551000	150	148	127.7	110	25	83	2	150	148	127.7	110	125	109	80	60.9	125	135	1.25	1.25	2.0
1553000	150	148	127.7	110	25	83	2	150	148	127.7	110	125	109	120	100.9	125	135	1.25	1.25	2.0
1546000	200	198	177.7	160	75	133	6	200	198	177.7	160	175	159	80	60.9	175	185	1.25	1.25	2.0
1549000	200	198	177.7	160	75	133	6	200	198	177.7	160	175	159	120	100.9	175	185	1.25	1.25	2.0
1545000	150	148	127.7	110	25	83	2	300	298	277.7	260	275	259	80	60.9	125	285	1.25	1.25	2.0
1548000	150	148	127.7	110	25	83	2	300	298	277.7	260	275	259	120	100.9	125	285	1.25	1.25	2.0
1552000	200	198	177.7	160	75	133	6	300	298	277.7	260	275	259	80	60.9	175	285	1.25	1.25	2.0
1554000	200	198	177.7	160	75	133	6	300	298	277.7	260	275	259	120	100.9	175	285	1.25	1.25	2.0
1574000	200	198	177.7	160	75	133	6	300	298	277.7	260	275	259	155	135.9	175	285	1.25	1.25	2.0
1555000	300	298	277.7	260	175	233	14	300	298	277.7	260	275	259	120	100.9	275	285	1.25	1.25	2.0
1575000	300	298	277.7	260	175	233	14	300	298	277.7	260	275	259	155	135.9	275	365	1.25	1.25	2.0
1576000	380	378	357.7	340	275	333	22	300	298	277.7	260	275	259	155	135.9	275	365	1.25	1.25	2.0
1547000	200	198	177.7	160	75	133	6	400	398	377.7	360	375	359	80	60.9	175	385	1.25	1.25	2.0
1550000	200	198	177.7	160	75	133	6	400	398	377.7	360	375	359	120	100.9	175	385	1.25	1.25	2.0
1556000	300	298	277.7	260	175	233	14	400	398	377.7	360	375	359	120	100.9	275	385	1.25	1.25	2.0
1577000	300	298	277.7	260	175	233	14	400	398	377.7	360	375	359	155	135.9	275	385	1.25	1.25	2.0

KX Junction Box



Material:

- Housing: Carbon steel
- Door: Carbon steel, all-round foamed-in PU seal
- Mounting panel: Carbon steel

Surface Finish:

- Housing and door: Dipcoat primed, powder-coated RAL 7035 (light gray)
- Mounting panel: Zinc-plated

Protection Rating:

- UL Type 4
- UL Type 3R
- UL Type 12
- IP 66

Supply includes:

- Housing with hinged door
- Mounting panel

Configuration:

- Single door enclosure
- Pre-drilled wall-mounting holes

Lock:

- 2 x quarter turn with double-bit inserts

Door Hinge:

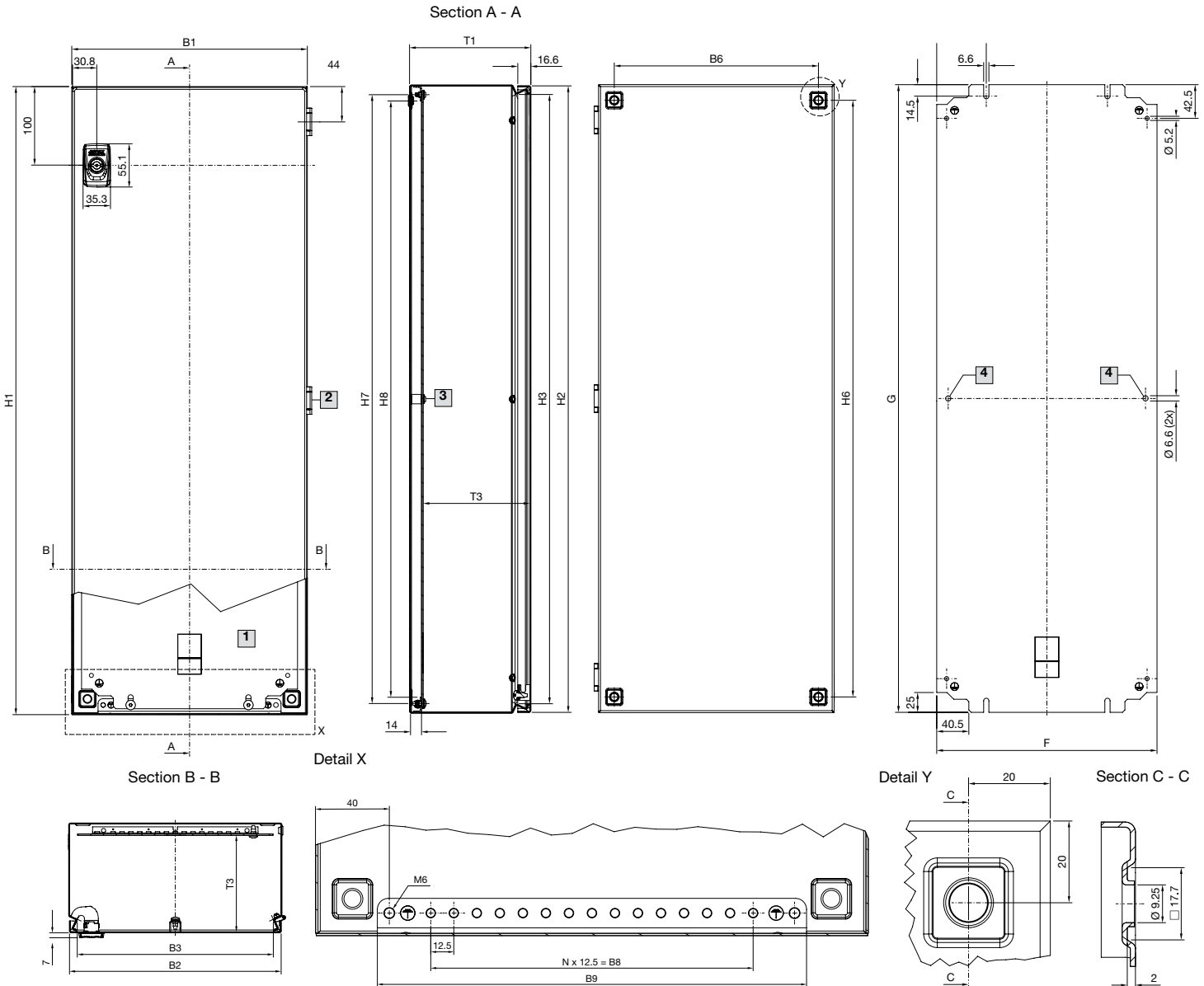
- 2 x hinges for 24" high and below
- 3 x hinges for 32" high

Part No.	H		W		D		Panel H		Panel W		Weight	
	in	mm	in	mm	in	mm	in	mm	in	mm	lb	kg
1557000	20	500	7.9	200	4.7	120	19	485	6.9	175	13.7	6.2
1578000	24	600	12	300	6.1	155	23	585	11	275	24.3	11.0
1579000	32	800	12	300	6.1	155	31	785	11	275	29.1	13.2

with hinged cover and two quarter turn latches

- B1 = Enclosure width
- B2 = Door width
- B3 = Enclosure opening width
- B6 = Mounting bracket hole distance
- B8 = L-bracket mounting distance
- B9 = L-bracket width
- N = Number of hole pitch patterns in L-bracket
- H1 = Enclosure height
- H2 = Door height
- H3 = Enclosure opening height
- H6 = Mounting bracket hole distance
- H7 = L-brackets usable height between holes
- H8 = Clearance height between L-brackets
- T1 = Overall depth
- T3 = Usable depth
- F = MPL width
- G = MPL height

- 1 Internal view
- 2 Central hinge where H1 > 600 mm
- 3 Central bolt, only where H1 > 800 mm
- 4 Central holes, only where H1 > 800 mm



Model No. KX	Width Dimensions mm							Height Dimensions mm						Depth Dimensions mm		Mounting Plate mm		Material Thickness mm	
	B1	B2	B3	B6	B8	B9	N	H1	H2	H3	H6	H7	H8	T1	T3	F	G	Body	Cover
1557000	200	198	177.7	160	75	133	6	500	498	477.7	460	475	459	120	100.9	175	485	1.25	1.25
1578000	300	298	277.7	260	175	233	14	600	800	577.7	560	575	559	155	135.9	275	585	1.25	1.25
1579000	300	298	277.7	260	175	233	14	800	798	777.7	760	775	759	155	135.9	275	785	1.25	1.25

KX Screw Cover Boxes



Material:

- Housing: Carbon steel
- Cover: Carbon steel, all-round foamed-in PU seal

Surface Finish:

- Housing and cover: Dipcoat primed, powder-coated RAL 7035 (light gray)

Protection Rating:

- UL Type 4
- UL Type 3R
- UL Type 12
- IP 66

Supply includes:

- Housing with screw down cover

Configuration:

- Enclosure with cover
- Pre-drilled wall-mounting holes

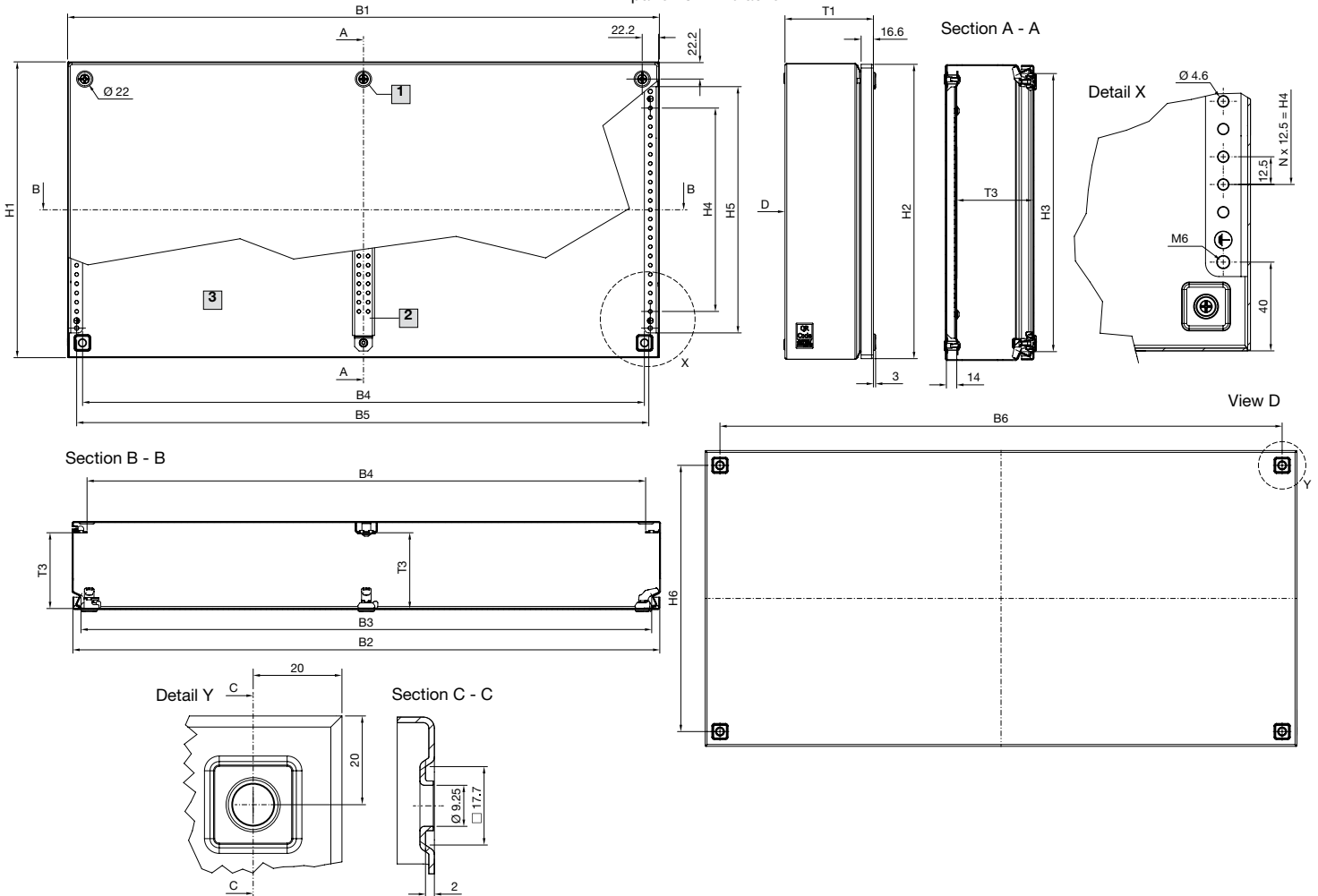
Screw Down Cover:

- 4 x quarter turn screws for up to 20" wide enclosures
- 6 x quarter turn screws for 24" and 32" wide enclosures

Part No.	H		W		D		Locks		Weight	
	in	mm	in	mm	in	mm	4 locks	6 locks	lb	kg
1514000	5.9	150	5.9	150	3.1	80	x	-	3.1	1.4
1500000	5.9	150	5.9	150	4.7	120	x	-	3.5	1.6
1528000	5.9	150	7.9	200	3.1	80	x	-	3.5	1.6
1529000	5.9	150	7.9	200	4.7	120	x	-	4.0	1.8
1515000	5.9	150	12	300	3.1	80	x	-	4.6	2.1
1501000	5.9	150	12	300	4.7	120	x	-	5.7	2.6
1589000	5.9	150	16	400	4.7	120	x	-	7.1	3.2
1516000	7.9	200	7.9	200	3.1	80	x	-	4.2	1.9
1502000	7.9	200	7.9	200	4.7	120	x	-	5.1	2.3
1517000	7.9	200	12	300	3.1	80	x	-	5.7	2.6
1503000	7.9	200	12	300	4.7	120	x	-	6.6	3.0
1518000	7.9	200	16	400	3.1	80	x	-	7.1	3.2
1504000	7.9	200	16	400	4.7	120	x	-	7.9	3.6
1505000	7.9	200	20	500	4.7	120	x	-	9.7	4.4
1506000	7.9	200	24	600	4.7	120	-	x	12.6	5.7
1527000	7.9	200	32	800	4.7	120	-	x	15.0	6.8
1507000	12	300	12	300	4.7	120	x	-	8.8	4.0
1508000	12	300	16	400	4.7	120	x	-	10.6	4.8
1509000	12	300	20	500	4.7	120	x	-	12.8	5.8
1510000	12	300	24	600	4.7	120	-	x	15.0	6.8
1511000	16	400	16	400	4.7	120	x	-	13.7	6.2
1512000	16	400	24	600	4.7	120	-	x	18.5	8.4
1513000	16	400	32	800	4.7	120	-	x	24.3	11.0

- B1 = Enclosure width
- B2 = Cover width
- B3 = Enclosure opening width
- B4 = Clearance width between L-brackets
- B5 = L-bracket mounting distance
- B6 = Mounting bracket hole distance
- H1 = Enclosure height
- H2 = Cover height
- H3 = Enclosure opening height
- H4 = L-bracket usable height between holes
- H5 = L-bracket height
- H6 = Mounting bracket hole distance
- N = Number of hole pitch patterns in L-bracket
- T1 = Overall depth
- T3 = Usable depth

- 1 Central lock where B1 > 500 mm
- 2 Only for KX 1513.000
- 3 Internal view



Model No. KX	Width Dimensions mm						Height Dimensions mm						Depth Dimensions mm		Material Thickness mm		
	B1	B2	B3	B4	B5	B6	H1	H2	H3	H4	H5	H6	N	T1	T3	Body	Cover
1514000	150	148	127.7	109.5	125.5	110	150	148	127.7	25	83	110	2	80	63.5	1.25	1.25
1500000	150	148	127.7	109.5	125.5	110	150	148	127.7	25	83	110	2	120	103.5	1.25	1.25
1528000	200	198	177.7	159.5	175.5	160	150	148	127.7	25	83	110	2	80	63.5	1.25	1.25
1529000	200	198	177.7	159.5	175.5	160	150	148	127.7	25	83	110	2	120	103.5	1.25	1.25
1515000	300	298	277.7	259.5	275.5	260	150	148	127.7	75	133	160	6	80	63.5	1.25	1.25
1501000	300	298	277.7	259.5	275.5	260	150	148	127.7	25	83	110	2	120	103.5	1.25	1.25
1589000	400	398	377.7	359.5	375.5	360	150	148	127.7	25	83	110	2	120	103.5	1.25	1.25
1516000	200	198	177.7	159.5	175.5	160	200	198	177.7	75	133	130	6	80	63.5	1.25	1.25
1502000	200	198	177.7	159.5	175.5	160	200	198	177.7	75	133	160	6	120	103.5	1.25	1.25
1517000	300	298	277.7	259.5	275.5	260	200	198	177.7	75	133	160	6	80	63.5	1.25	1.25
1503000	300	298	277.7	259.5	275.5	260	200	198	177.7	75	133	160	6	120	103.5	1.25	1.25
1518000	400	398	377.7	359.5	375.5	360	200	198	177.7	75	133	160	6	80	63.5	1.25	1.25
1504000	400	398	377.7	359.5	375.5	360	200	198	177.7	75	133	160	6	120	103.5	1.25	1.25
1505000	500	498	477.7	459.5	475.5	460	200	198	177.7	75	133	160	6	120	103.5	1.25	1.25
1506000	600	598	577.7	559.5	575.5	560	200	198	177.7	75	133	160	6	120	103.5	1.25	1.25
1527000	800	798	777.7	759.5	775.5	760	200	198	177.7	75	133	160	6	120	103.5	1.25	1.25
1507000	300	298	277.7	259.5	275.5	260	300	298	277.7	175	233	260	14	120	103.5	1.25	1.25
1508000	400	398	377.7	359.5	375.5	360	300	298	277.7	175	233	260	14	120	103.5	1.25	1.25
1509000	500	498	477.7	459.5	475.5	460	300	298	277.7	175	233	260	14	120	103.5	1.25	1.25
1510000	600	598	577.7	559.5	575.5	560	300	298	277.7	175	233	260	14	120	103.5	1.25	1.25
1511000	400	398	377.7	359.5	375.5	360	400	398	377.7	275	333	360	22	120	103.5	1.25	1.25
1512000	600	598	577.7	559.5	575.5	560	400	398	377.7	275	333	360	22	120	103.5	1.25	1.25
1513000	800	798	777.7	759.5	775.5	760	400	398	377.7	275	333	360	22	120	103.5	1.25	1.25

KX Screw Cover Boxes



Material:

- Housing: Carbon steel
- Cover: Carbon steel, all-round foamed-in PU seal

Surface Finish:

- Housing and cover: Dipcoat primed, powder-coated RAL 7035 (light gray)

Protection Rating:

- UL Type 12
- IP 55

Supply includes:

- Housing with screw down cover
- Gland plate(s)

Configuration:

- Enclosure with cover
- Pre-drilled wall-mounting holes

Screw Down Cover:

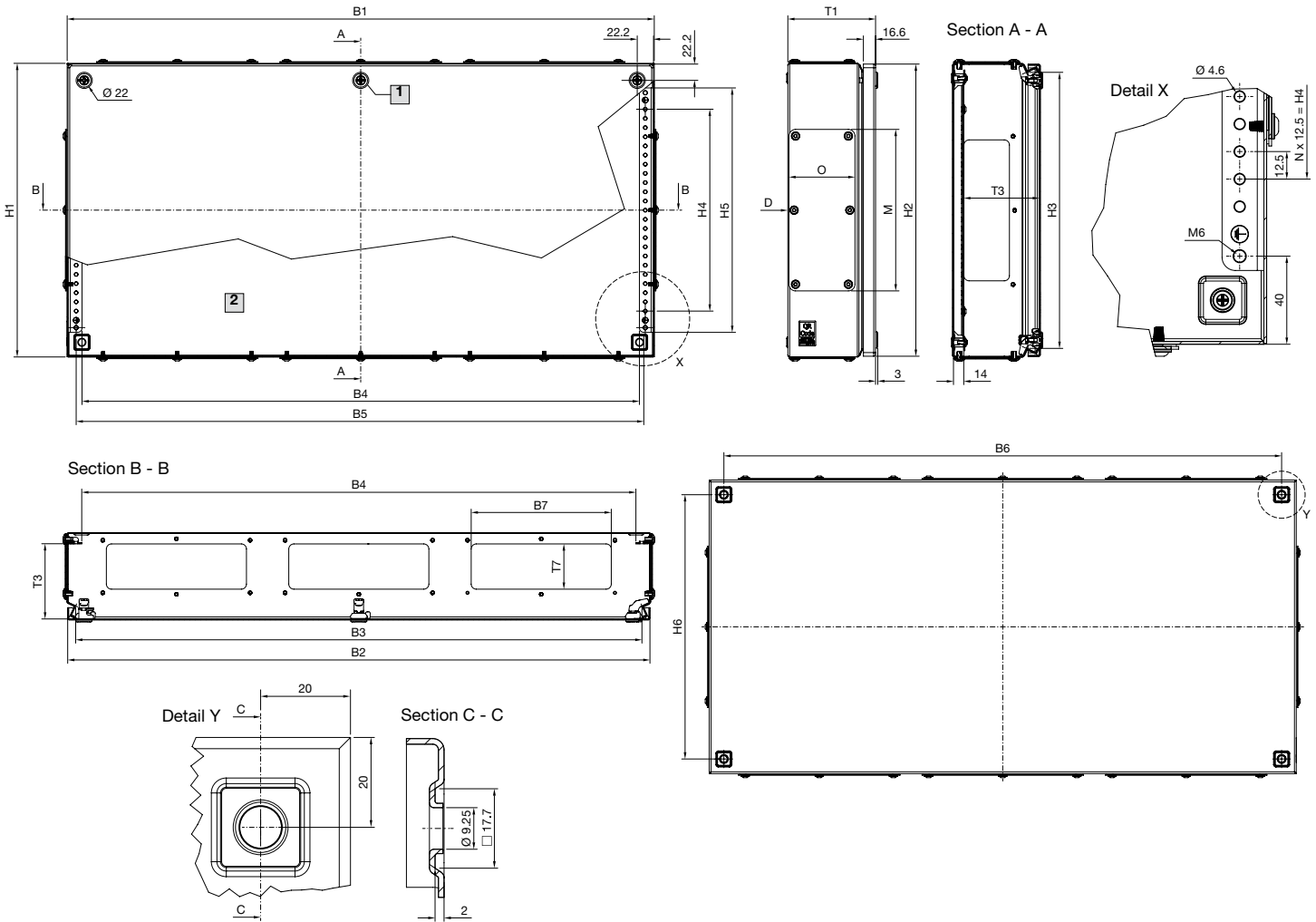
- 4 x quarter turn screws for up to 20" wide enclosures
- 6 x quarter turn screws for 24" and 32" wide enclosures

Part No.	H		W		D		Locks		Gland Plate			Weight	
	in	mm	in	mm	in	mm	4 locks	6 locks	Qty	Top/Bot- tom	Left/ Right	lb	kg
1530000	5.9	150	12	300	4.7	120	x	-	2	x	-	6.0	2.7
1531000	7.9	200	12	300	4.7	120	x	-	2	x	-	7.3	3.3
1532000	7.9	200	16	400	4.7	120	x	-	2	x	-	8.8	4.0
1533000	7.9	200	20	500	4.7	120	x	-	4	x	-	10.8	4.9
1535000	12	300	12	300	4.7	120	x	-	4	x	x	9.9	4.5
1536000	12	300	16	400	4.7	120	x	-	4	x	x	11.5	5.2
1537000	12	300	20	500	4.7	120	x	-	6	x	x	11.5	5.2
1538000	12	300	24	600	4.7	120	-	x	6	x	x	17.0	7.7
1539000	16	400	16	400	4.7	120	x	-	4	x	x	14.8	6.7
1540000	16	400	24	600	4.7	120	-	x	6	x	x	19.8	9.0
1541000	16	400	32	800	4.7	120	-	x	8	x	x	26.5	12.0

with screw cover and gland plates

- B1 = Enclosure width
- B2 = Cover width
- B3 = Enclosure opening width
- B4 = Clearance width between L-brackets
- B5 = L-bracket mounting distance
- B6 = Mounting bracket hole distance
- B7 = Gland plate clearance width
- H1 = Enclosure height
- H2 = Cover height
- H3 = Enclosure opening height
- H4 = L-bracket usable height between holes
- H5 = L-bracket height
- H6 = Mounting bracket hole distance
- N = Number of hole pitch patterns in L-bracket
- T1 = Overall depth
- T3 = Usable depth
- T7 = Gland plate clearance depth

- 1 Central lock where B1 > 500 mm
- 2 Internal view



Model No. KX	Width Dimensions mm							Height Dimensions mm							Depth Dimensions mm			Gland Plate			Material Thickness mm	
	B1	B2	B3	B4	B5	B6	B7	H1	H2	H3	H4	H5	H6	N	T1	T3	T7	M	O	Qty	Body	Cover
1530000	300	298	277.7	259.5	275.5	260	192	150	148	127.7	25	83	110	2	120	103.5	62	220	72	2	1.25	1.25
1531000	300	298	277.7	259.5	175.5	260	192	200	198	177.7	75	133	160	6	120	103.5	62	220	72	2	1.25	1.25
1532000	400	398	377.7	359.5	375.5	360	192	200	198	177.7	75	133	160	6	120	103.5	62	220	72	2	1.25	1.25
1533000	500	498	477.7	459.5	475.5	460	192	200	198	177.7	75	133	160	6	120	103.5	62	220	72	4	1.25	1.25
1535000	300	298	277.7	259.9	275.5	260	192	300	298	277.7	175	233	260	14	120	103.5	62	220	72	4	1.25	1.25
1536000	400	398	377.7	359.5	375.5	360	192	300	298	277.7	175	233	260	14	120	103.5	62	220	72	4	1.25	1.25
1537000	500	498	477.7	459.5	475.5	460	192	300	298	277.7	175	233	260	14	120	103.5	62	220	72	6	1.25	1.25
1538000	600	598	577.7	559.5	575.5	560	192	300	298	277.7	175	233	260	14	120	103.5	62	220	72	6	1.25	1.25
1539000	400	398	377.7	359.5	375.5	360	192	400	398	377.7	275	333	360	22	120	103.5	62	220	72	4	1.25	1.25
1540000	600	598	577.7	559.5	575.5	560	192	400	398	377.7	275	333	360	22	120	103.5	62	220	72	6	1.25	1.25
1541000	800	798	777.7	759.5	775.5	760	192	400	398	377.7	275	333	360	22	120	103.5	62	220	72	8	1.25	1.25

KX Screw Cover Box with Window



Material:

- Housing: Carbon steel
- Lid: Carbon steel, all-round foamed-in PU seal
- Viewing window: Polycarbonate

Surface Finish:

- Housing and lid: Dipcoat primed, powder-coated RAL 7035 (light gray)

Protection Rating:

- UL Type 12
- IP 65

Supply includes:

- Housing with screw down hinged lid with viewing window

Configuration:

- Enclosure with hinged lid
- Viewing window
- Pre-drilled wall-mounting holes

Screw Down Lid:

- 2 x quarter turn screws for up to 16" wide enclosures
- 3 x quarter turn screws for 24" and 32" wide enclosures

Door Hinge:

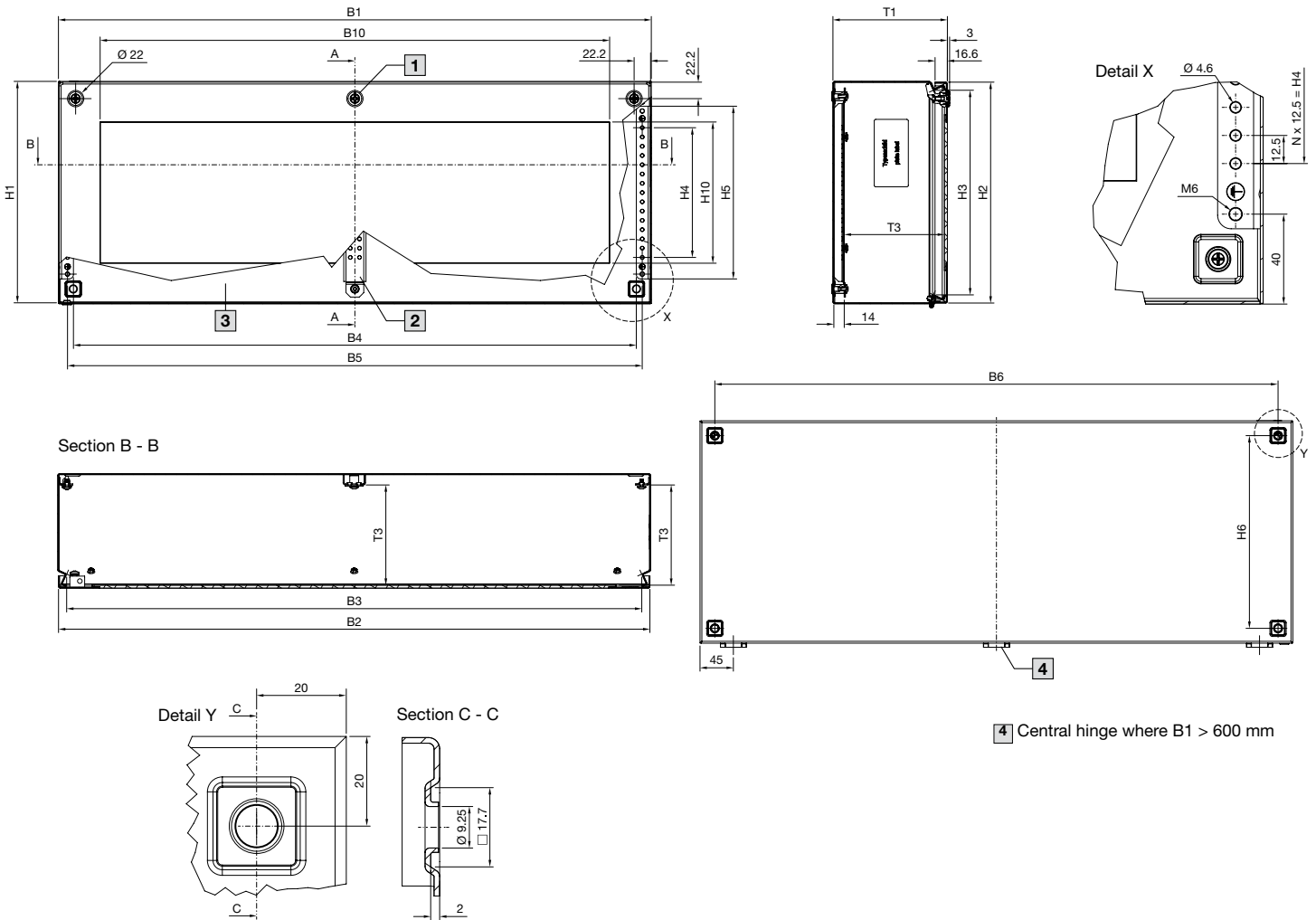
- 2 x hinges for 24" wide and below
- 3 x hinges for 32" wide

Part No.	Height		Width		Depth		Weight	
	in	mm	in	mm	in	mm	lb	kg
1610000	7.9	200	16	400	6.1	155	13.2	6.0
1611000	12	300	16	400	6.1	155	15.4	7.0
1612000	12	300	24	600	6.1	155	20.9	9.5
1613000	12	300	32	800	6.1	155	28.9	13.1

with screw cover and window

- B1 = Enclosure width
- B2 = Cover width
- B3 = Enclosure opening width
- B4 = Clearance width between L-brackets
- B5 = L-bracket mounting distance
- B6 = Mounting bracket hole distance
- B10 = Viewing window width
- H1 = Enclosure height
- H2 = Cover height
- H3 = Enclosure opening height
- H4 = L-bracket usable height between holes
- H5 = L-bracket height
- H6 = Mounting bracket hole distance
- H10 = Viewing window height
- N = Number of hole pitch patterns in L-bracket
- T1 = Overall depth
- T3 = Usable depth

- 1 Central lock where B1 > 500 mm
- 2 Only for KX 1613.000
- 3 Internal view



- 4 Central hinge where B1 > 600 mm

Model No. KX	Width Dimensions mm						Height Dimensions mm										Depth Dimensions mm		Material Thickness mm	
	B1	B2	B3	B4	B5	B6	B10	H1	H2	H3	H4	H5	H6	H10	N	T1	T3	Body	Cover	
1610000	400	398	377.7	359.5	375.5	360	287.5	200	198	176	75	133	160	90.5	6	155	135.2	1.25	1.25	
1611000	400	398	377.7	359.5	375.5	360	287.5	300	398	276	175	233	260	190.5	14	155	135.2	1.25	1.25	
1612000	600	598	577.7	559.5	575.5	560	487.5	300	298	276	175	233	260	190.5	14	155	135.2	1.25	1.25	
1613000	800	798	777.7	759.5	775.5	760	687.5	300	298	276	175	233	260	190.5	14	155	135.2	1.25	1.25	

Accessories - Base

Plinth System and Floor Stand Kits

AX Plinth Front/Rear ¹		Description	Fits Enclosure (W)		KX	JB	AX	WM
Part No.	Catalog No.		in	mm				
2820061	-	AX Plinth Base, Front/Rear, 100mm high, Carbon Steel	24	600	-	-	■	-
2820081	-	AX Plinth Base, Front/Rear, 100mm high, Carbon Steel	32	800	-	-	■	-
2820101	-	AX Plinth Base, Front/Rear, 100mm high, Carbon Steel	39	1000	-	-	■	-
2820121	-	AX Plinth Base, Front/Rear, 100mm high, Carbon Steel	47	1200	-	-	■	-
2820062	-	AX Plinth Base, Front/Rear, 200mm high, Carbon Steel	24	600	-	-	■	-
2820082	-	AX Plinth Base, Front/Rear, 200mm high, Carbon Steel	32	800	-	-	■	-
2820102	-	AX Plinth Base, Front/Rear, 200mm high, Carbon Steel	39	1000	-	-	■	-
2820122	-	AX Plinth Base, Front/Rear, 200mm high, Carbon Steel	47	1200	-	-	■	-
2817000 ²	-	Floor Clamp for plinths (PU 10)						

AX Plinth Side ³		Description	Fits Enclosure (D)		KX	JB	AX	WM
Part No.	Catalog No.		in	mm				
2820310	-	AX Plinth Base, Side Trim Panels, 100mm high, Carbon Steel	12	300	-	-	■	-
2820410	-	AX Plinth Base, Side Trim Panels, 100mm high, Carbon Steel	16	400	-	-	■	-
2820320	-	AX Plinth Base, Side Trim Panels, 200mm high, Carbon Steel	12	300	-	-	■	-
2820420	-	AX Plinth Base, Side Trim Panels, 200mm high, Carbon Steel	16	400	-	-	■	-

Floor Stand Kit ⁴		Description	Fits Enclosure (D)		KX	JB	AX	WM
Part No.	Catalog No.		in	mm				
8018390	FSK1206C	Floor Stand Kit, 12" high, Carbon Steel	6	150	-	-	-	■
8018393	FSK1806C	Floor Stand Kit, 18" high, Carbon Steel	6	150	-	-	-	■
8018396	FSK2406C	Floor Stand Kit, 24" high, Carbon Steel	6	150	-	-	-	■
8018399	FSK1208C	Floor Stand Kit, 12" high, Carbon Steel	8	210	-	-	-	■
8018402	FSK1808C	Floor Stand Kit, 18" high, Carbon Steel	8	210	-	-	-	■
8018405	FSK2408C	Floor Stand Kit, 24" high, Carbon Steel	8	210	-	-	-	■
8018408	FSK1210C	Floor Stand Kit, 12" high, Carbon Steel	10	250	-	-	-	■
8018411	FSK1810C	Floor Stand Kit, 18" high, Carbon Steel	10	250	-	-	-	■
8018414	FSK2410C	Floor Stand Kit, 24" high, Carbon Steel	10	250	-	-	-	■
8018417	FSK1212C	Floor Stand Kit, 12" high, Carbon Steel	12	300	-	-	-	■
8018420	FSK1812C	Floor Stand Kit, 18" high, Carbon Steel	12	300	-	-	-	■
8018423	FSK2412C	Floor Stand Kit, 24" high, Carbon Steel	12	300	-	-	-	■
8018426	FSK1216C	Floor Stand Kit, 12" high, Carbon Steel	16	400	-	-	-	■
8018429	FSK1816C	Floor Stand Kit, 18" high, Carbon Steel	16	400	-	-	-	■
8018432	FSK2416C	Floor Stand Kit, 24" high, Carbon Steel	16	400	-	-	-	■
8018435	FSK1220C	Floor Stand Kit, 12" high, Carbon Steel	20	500	-	-	-	■
8018441	FSK2420C	Floor Stand Kit, 24" high, Carbon Steel	20	500	-	-	-	■



Accessories - Door

Window Kits and Operating Panels

Window Kits 5 6 7		Description	Viewing Area (H x W)		KX	JB	AX	WM
Part No.	Catalog No.		in	mm				
8018444	WK0503C	Frame Window Kit, 8x6, Carbon Steel	5 x 3	127 x 76	■	■	■	■
8018447	WK0905C	Frame Window Kit, 12x8, Carbon Steel	9 x 5.5	229 x 140	■	■	■	■
8018453	WK1308C	Frame Window Kit, 16x11, Carbon Steel	13 x 8	330 x 203	-	-	■	■
8018459	WK1711C	Frame Window Kit, 20x14, Carbon Steel	17 x 11	432 x 279	-	-	■	■
8018462	WK2315C	Frame Window Kit, 26x18, Carbon Steel	23 x 15	584 x 381	-	-	■	■
8018465	WK2919C	Frame Window Kit, 32x22, Carbon Steel	29 x 19	737 x 483	-	-	■	■
9975000	WKDH1212C	Deep-Hinged Window Kit, 12x12, Carbon Steel	8 x 5	200 x 125	■	■	■	■
9975052	WKDH1216C	Deep-Hinged Window Kit, 12x16, Carbon Steel	8 x 9	200 x 225	-	-	■	■
9975053	WKDH1418C	Deep-Hinged Window Kit, 14x18, Carbon Steel	10 x 11	250 x 275	-	-	■	■
9975001	WKDH1612C	Deep-Hinged Window Kit, 16x12, Carbon Steel	12 x 5	300 x 125	-	-	■	■
9975002	WKDH2016C	Deep-Hinged Window Kit, 20x16, Carbon Steel	16 x 9	400 x 225	-	-	■	■
9975004	WKDH2420C	Deep-Hinged Window Kit, 24x20, Carbon Steel	20 x 13	500 x 325	-	-	■	■
9975005	WKDH3024C	Deep-Hinged Window Kit, 30x24, Carbon Steel	26 x 16	660 x 415	-	-	■	■
9975006	WKDH3624C	Deep-Hinged Window Kit, 36x24, Carbon Steel	31 x 16	780 x 415	-	-	■	■
2733010	-	Viewing Window, 20x20, 1.4 deep, Aluminum	17 x 17	437 x 437	-	-	■	-
2730010	-	Viewing Window, 15x24, 1.4 deep, Aluminum	12 x 21	317 x 537	-	-	■	-
2731010	-	Viewing Window, 24x24, 1.4 deep, Aluminum	21 x 21	537 x 537	-	-	■	-
2732010	-	Viewing Window, 30x24, 1.4 deep, Aluminum	27 x 21	697 x 537	-	-	■	-
2763010	-	Viewing Window, 20x20, 2.4 deep, Aluminum	17 x 17	437 x 437	-	-	■	-
2760010	-	Viewing Window, 15x24, 2.4 deep, Aluminum	12 x 21	317 x 537	-	-	■	-
2761010	-	Viewing Window, 24x24, 2.4 deep, Aluminum	21 x 21	537 x 537	-	-	■	-
2762010	-	Viewing Window, 30x24, 2.4 deep, Aluminum	27 x 21	697 x 537	-	-	■	-

Operating Panels 8		Description	Fits Enclosure (H x W)		KX	JB	AX	WM
Part No.	Catalog No.		in	mm				
2741010	-	Operating Panel, 12x15, Aluminum	12 x 15	300 x 380	-	-	■	-
2742010	-	Operating Panel, 15x15, Aluminum	15 x 15	380 x 380	-	-	■	-
2743010	-	Operating Panel, 24x15, Aluminum	24 x 15	600 x 380	-	-	■	-
2745010	-	Operating Panel, 20x20, Aluminum	20 x 20	500 x 500	-	-	■	-
2744010	-	Operating Panel, 15x24, Aluminum	15 x 24	380 x 600	-	-	■	-
2746010	-	Operating Panel, 24x24, Aluminum	24 x 24	600 x 600	-	-	■	-
2749100	-	Cam Lock for operating panel (PU 1)						



Accessories - Door

Lock System - Handles, Cam Locks and Padlocks

Door Handles		Description	Locking	Fits Enclosure Lock Version		KX	JB	AX	WM
Part No.	Catalog No.			Quarter Turn	3-point				
2537100	1	AX Mini-Comfort Handle	Accepting inserts	■	-	-	-	■	-
2537200	-	AX Mini-Comfort Handle, E1 Security insert	Key-locking, but supplied without key	■	-	-	-	■	-
2537300	-	AX Mini-Comfort Handle	Padlockable, accepting inserts	■	-	-	-	■	-
2435100	-	AX Comfort Handle	Accepting inserts	-	■	-	-	■	-
2435200	-	AX Comfort Handle, E1 Security insert	Key-locking, but supplied without key	-	■	-	-	■	-
2435400	-	AX Comfort Handle	Padlockable, accepting inserts	-	■	-	-	■	-
2577000	-	Thumb turn handle, Plastic, Black	Key-locking	■	-	■	-	■	-
2533100	-	Thumb turn handle, Plastic, Black	Non-locking	■	-	■	-	■	-
2576000	2	Thumb turn handle, Plastic, Black	Key-locking	■	-	-	■	-	■
2533000	-	Thumb turn handle, Plastic, Black	Non-locking	■	-	-	■	-	■
2575000	-	T-handle	Key-locking	■	-	-	■	-	■
2572000	-	T-handle	Non-locking	■	-	-	■	-	■
8018580	WMLHNL	L-Handle, Plastic, Black	Non-locking	-	■	-	-	-	■
8015168	WMLHKL	L-Handle, Plastic, Black	Key-locking	-	■	-	-	-	■
8018581	WMLHPL	L-Handle, Plastic, Black	Padlockable	-	■	-	-	-	■
9965641	-	L-Handle, Plastic, Black	Padlockable with screwdriver insert	-	■	-	-	-	■

Cam Locks		Description	Locking	Fits Enclosure Lock Version		KX	JB	AX	WM
Part No.	Catalog No.			Quarter Turn	3-point				
2420000	3	Cam Lock, with double-bit insert	Accepting inserts	■	-	-	■	-	■
2420010	-	Cam Lock, with double-bit insert	Accepting inserts	■	-	■	-	■	-
2430000	-	Cam Lock, with lock cylinder insert	Key-locking	■	-	-	■	-	■
2540500	-	Cam Lock, E1 Security insert	Key-locking, but supplied without key	■	-	-	■	-	■
2304000	-	Cam Lock, with double-bit insert, Stainless Steel	Accepting inserts	■	-	-	■	-	■
2304100	-	Cam Lock, with double-bit insert, Stainless Steel	Accepting inserts	■	-	-	-	■	-
2309110	-	Cam Lock, with double-bit insert, Stainless Steel	Accepting inserts	■	-	■	-	-	-

Padlock Accessories		Description	PU	Works with	KX	JB	AX	WM
Part No.	Catalog No.							
2493000	-	Lock cover with padlock provision	1	Carbon Steel WM cam locks	-	■	-	■
2476100	-	Lock cover with padlock provision	1	Carbon Steel AX cam locks	■	-	■	-
2493500	-	Multiple lock, up to 6 padlocks	2	All padlockable handles/covers	■	■	■	■
8018973	WMPADRCS	Padlock lockout, 1-piece	1	Carbon Steel WM cam locks	-	■	-	■
8018591	WMPADCS	Padlock lockout, 2-piece	1	Carbon Steel WM cam locks	-	■	-	■



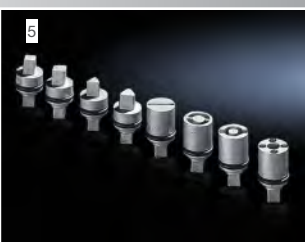
Accessories - Door

Lock Inserts, Keys and Wiring Plan Pockets

Lock Inserts ⁵		Description	PU	Fits Handle/Lock		
Part No.	Catalog No.			Cam Locks	AX Comfort	AX Mini-Comfort
2464000	-	Screwdriver insert	1	■	■	■
2466000	-	3mm double-bit insert	1	■	■	■
2460000	-	7mm square insert	1	■	■	■
2461000	-	8mm square insert	1	■	■	■
2462000	-	7mm triangular insert	1	■	■	■
2463000	-	8mm triangular insert	1	■	■	■
2467000	-	Push-button and lock insert, 3524 E with 2 keys	1	-	■	■
2468000	-	Push-button insert	1	-	■	■
2469000	-	Push-button and lock insert, with 2 keys	1	-	■	■

Keys		Description	PU	Fits Handle/Lock		
Part No.	Catalog No.			Cam Locks	AX Comfort	AX Mini-Comfort
2531000 ⁶	-	Double-bit key no. 5	1	■	■	■
2532000	-	Security lock no. 3524 E	2	-	■	■
2545000	-	7 mm triangular	1	■	■	■
2546000	-	8 mm triangular	1	■	■	■
2547000	-	7 mm square	1	■	■	■
2548000	-	8 mm square	1	■	■	■
2549000	-	Universal key plastic	1	■	■	■
2549500	-	Universal key metal	1	■	■	■

Wiring Plan Pockets ^{7 8}		Description	Installation	Dimensions (H x W x D)		KX	JB	AX	WM
Part No.	Catalog No.			in	mm				
2515200	-	Print pocket, width variable, for door width 400 and 500 mm	Screwed to door strip	8 x 13 x 1	210 x 325 x 35	-	-	■	-
2515300	-	Print pocket, width variable, for door width 600 mm	Screwed to door strip	8 x 19 x 1	210 x 475 x 35	-	-	■	-
2515400	-	Print pocket, width variable, for door width 760 and 800 mm	Screwed to door strip	8 x 25 x 1	210 x 625 x 35	-	-	■	-
2513000	-	Print pocket, A3 landscape	Self adhesive fastening strip	11 x 17 x 2	286 x 438 x 45	-	-	■	■
2514000	-	Print pocket, A4 portrait	Self adhesive fastening strip	10 x 9 x 1	254 x 228 x 17	■	■	■	■
2515000	-	Print pocket, A5 landscape	Self adhesive fastening strip	7 x 9 x 1	174 x 228 x 17	■	■	■	■



Accessories - Door

Door Rails, Door Stops, Hinges and Swing Frames

Door Rails ¹		Description	PU	Fits Enclosure (W)		KX	JB	AX	WM
Part No.	Catalog No.			in	mm				
2325000	-	Door rail for 20 inch wide WM doors	20	20	500	-	-	-	■
2326000	-	Door rail for 24 inch wide WM doors	20	24	600	-	-	-	■
2327000	-	Door rail for 30 inch wide WM doors	20	30	760	-	-	-	■
4599100	-	Door rail for 15 inch wide AX doors	20	15	380	-	-	■	-
4694000	-	Door rail for 16 inch wide AX doors	20	16	400	-	-	■	-
4695000	-	Door rail for 20 inch wide AX doors	20	20	500	-	-	■	-
4696000	-	Door rail for 24 inch wide AX doors	20	24	600	-	-	■	-
4599200	-	Door rail for 30 inch wide AX doors	20	30	760	-	-	■	-
4697000	-	Door rail for 32 inch wide AX doors	20	32	800	-	-	■	-

Door Stops		Description	PU	Note	KX	JB	AX	WM
Part No.	Catalog No.							
9977498 ²	-	Door Stop for carbon steel WM	1	Bottom installation, 232x000 also required for WM with vertical Z-strips	-	-	-	■
2519020 ³	-	Door Stop for carbon steel AX	5	Top installation, 2394XXX required	-	-	■	-
2519000	-	Door Stop for carbon steel WM	5	Top installation, 9974034 required	-	-	-	■

Door Hinges		Description	PU	Note	KX	JB	AX	WM
Part No.	Catalog No.							
2449000	-	180° hinge for carbon steel WM	2	To extend WM door opening angle	-	-	-	■
2449010 ⁴	-	180° hinge for carbon steel AX	3	To extend AX door opening angle	-	-	■	-
1592200	-	Cover hinge for KX screwcover	6	To add a hinge on a screwcover KX	■	-	-	-

Swing Frame		Description	PU	For Enclosure Height		KX	JB	AX	WM
Part No.	Catalog No.			in	mm				
8619500	-	Swing frame, 3 U	1	15	380	-	-	■	-
8619510	-	Swing frame, 6 U	1	24	600	-	-	■	-
8619520	-	Swing frame, 9 U	1	24	600	-	-	■	-
8619530	-	Swing frame, 12 U	1	30	760	-	-	■	-
8619600	-	Installation kit for 24" wide enclosure	1	-	-	-	-	■	-
8619610	-	Installation kit for 32" wide enclosure	1	-	-	-	-	■	-
2034010	-	Mounting kit	4	-	-	-	-	■	-



Accessories - Door

Swing Panels

Swing Panels 5		Description	Required Bracket Kit	Fits Enclosure (H x W)		KX	JB	AX	WM
Part No.	Catalog No.			in	mm				
9975031	WMSP1612C	Swing Panel kit for 16x12 WM	9975021	16 x 12	400 x 300	-	-	-	■
9975032	WMSP1616C	Swing Panel kit for 16x16 WM	9975021	16 x 16	400 x 400	-	-	-	■
9975034	WMSP2016C	Swing Panel kit for 20x16 WM	9975021	20 x 16	500 x 400	-	-	-	■
9975035	WMSP2020C	Swing Panel kit for 20x20 WM	9975021	20 x 20	500 x 500	-	-	-	■
9975038	WMSP2420C	Swing Panel kit for 24x20 WM	9975021	24 x 20	600 x 500	-	-	-	■
9975039	WMSP2424C	Swing Panel kit for 24x24 WM	9975021	24 x 24	600 x 600	-	-	-	■
9975042	WMSP3024C	Swing Panel kit for 30x24 WM	9975021	30 x 24	760 x 600	-	-	-	■
9975043	WMSP3030C	Swing Panel kit for 30x30 WM	9975021	30 x 30	760 x 760	-	-	-	■
9975044	WMSP3624C	Swing Panel kit for 36x24 WM	9975022	36 x 24	900 x 600	-	-	-	■
9975045	WMSP3630C	Swing Panel kit for 36x30 WM	9975022	36 x 30	900 x 760	-	-	-	■
9975046	WMSP3636C	Swing Panel kit for 36x36 WM	9975022	36 x 36	900 x 900	-	-	-	■
9975047	WMSP4230C	Swing Panel kit for 42x30 WM	9975022	42 x 30	1050 x 760	-	-	-	■
9975048	WMSP4236C	Swing Panel kit for 42x36 WM	9975022	42 x 36	1050 x 900	-	-	-	■
9975049	WMSP4836C	Swing Panel kit for 48x36 WM	9975022	48 x 36	1200 x 900	-	-	-	■
9975050	WMSP6036C	Swing Panel kit for 60x36 WM	9975022	60 x 36	1500 x 900	-	-	-	■
1381380	AXSP1515C	Swing Panel kit for 15x15 AX	-	15 x 15	380 x 380	-	-	■	-
1381450	AXSP2016C	Swing Panel kit for 20x16 AX	-	20 x 16	500 x 400	-	-	■	-
1381550	AXSP2020C	Swing Panel kit for 20x20 AX	-	20 x 20	500 x 500	-	-	■	-
1381660	AXSP2424C	Swing Panel kit for 24x24 AX	-	24 x 24	600 x 600	-	-	■	-

Swing Panel Bracket Kits		Description	Max Load	Distance from Door		KX	JB	AX	WM
Part No.	Catalog No.			in	mm				
9975021 6	-	Swing panel bracket kit, 2 hinges	80 lbs.	2.5	64	-	-	-	■
9975022	-	Swing panel bracket kit, 3/4 hinges	100 lbs.	2.5	64	-	-	-	■
9975023	-	Bracket kit for using custom flat sheet as swing panel	-	2.5	64	-	-	-	■



Accessories - Roof

Drip Shield Kits, Dust Guard, Rain Canopy and Eyebolts

Drip Shield Kits ¹		Description	PU	Fits Enclosure (W)		KX	JB	AX	WM
Part No.	Catalog No.			in	mm				
9851482	DSK12NC	Dripshield kit for 12" wide WM / JB	1	12	300	■	■	■	■
9851483	DSK16NC	Dripshield kit for 16" wide WM	1	16	400	-	-	■	■
9851484	DSK20NC	Dripshield kit for 20" wide WM	1	20	500	-	-	■	■
9851485	DSK24NC	Dripshield kit for 24" wide WM	1	24	600	-	-	■	■
9851487	DSK30NC	Dripshield kit for 30" wide WM	1	30	760	-	-	■	■
9851489	DSK36NC	Dripshield kit for 36" wide WM	1	36	900	-	-	-	■

Dust Guard Trim ²		Description	PU	Length		KX	JB	AX	WM
Part No.	Catalog No.			in	mm				
2426500	-	Dust guard trim	1	47	1200	■	■	■	■

Rain Canopy ³		Description	PU	Fits Enclosure (WxD)		KX	JB	AX	WM
Part No.	Catalog No.			in	mm				
2361010	-	Rain Canopy for AX, 12x8, Stainless Steel	1	12 x 8	300 x 210	-	-	■	-
2472010	-	Rain Canopy for AX, 15x8, Stainless Steel	1	15 x 8	380 x 210	-	-	■	-
2362010	-	Rain Canopy for AX, 20x8, Stainless Steel	1	20 x 8	500 x 210	-	-	■	-
2473010	-	Rain Canopy for AX, 24x8, Stainless Steel	1	24 x 8	600 x 210	-	-	■	-
2476010	-	Rain Canopy for AX, 24x14, Stainless Steel	1	24 x 14	600 x 350	-	-	■	-
2474010	-	Rain Canopy for AX, 30x12, Stainless Steel	1	30 x 12	760 x 300	-	-	■	-
2475010	-	Rain Canopy for AX, 32x12, Stainless Steel	1	32 x 12	800 x 300	-	-	■	-
2363010	-	Rain Canopy for AX, 40x12, Stainless Steel	1	40 x 12	1000 x 300	-	-	■	-

Eyebolts		Description	PU	Max Load	KX	JB	AX	WM
Part No.	Catalog No.							
2509010 ⁴	-	Eyebolts for crane transportation, M12	2	450 lbs	-	-	■	■



Accessories - Wall Mounting

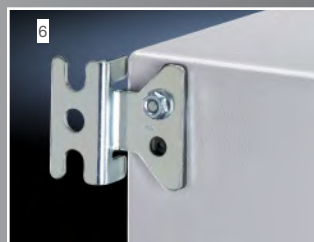
Wall Mounting Brackets, Wall Angle, Pole Clamp and Baying Kit

Wall Mounting Brackets		Description	PU	Wall Clearance		Attachment Style	Max Load	KX	JB	AX	WM
Part No.	Catalog No.			in	mm						
1590000	5	Wall Mounting bracket for JB	4	0.3	8	Tab-style	270 lbs	-	■	-	-
1580000	-	Wall Mounting bracket for JB	4	0.3	8	Tab-style	270 lbs	-	■	-	-
1590010	-	Wall Mounting bracket for AX / KX	4	0.3	8	Tab-style	200 lbs	■	-	■	-
2508100	-	Wall Mounting bracket for WM, external	4	0.6	15	Stand-off	330 lbs	-	-	-	■
2508010	6	Wall Mounting bracket for WM	4	0.4	10	Stand-off	330 lbs	-	■	-	■
2503010	-	Wall Mounting bracket for WM	4	1.6	40	Stand-off	330 lbs	-	■	-	■
2508020	7	Wall Mounting bracket for AX / KX	4	0.8	20	Stand-off	330 lbs	■	-	■	-
2503020	-	Wall Mounting bracket for AX / KX	4	1.6	40	Stand-off	330 lbs	■	-	■	-
8018790	WMSMB	Wall Mounting bracket for WM	4	Flush-mount		Slotted	330 lbs	-	■	-	■

Wall Angle 8		Description	PU	Note	Max Load	KX	JB	AX	WM
Part No.	Catalog No.								
2505510	-	Wall angle for WM / AX	4	Additional holes must be drilled	670 lbs	-	-	■	■

Pole Clamp		Description	PU	For Pole Diameter/Size		Max Load	KX	JB	AX	WM
Part No.	Catalog No.			Round	Square					
2584100	-	Pole clamp for WM / AX / KX	2	40 to 170 mm	50 to 150 mm	225 lbs	■	-	■	■

Baying Kit		Description	PU	Note	KX	JB	AX	WM
Part No.	Catalog No.							
1199100	-	Baying Kit	1	One pack is sufficient for up to 800x350mm	■	■	■	■



Accessories - Interior Fittings

Compact LED lights and accessories

Compact LED Lights ¹		Description	Dimensions (W)		Output Lumen	No. of LEDs	Installation Method	KX	JB	AX	WM
Part No.	Catalog No.		in	mm							
4140810	-	Compact LED light, 2pole DC, door switch controlled	9	230	78	10	Magnet, Screw	-	-	-	■
4140820	-	Compact LED light, 2pole DC, door switch controlled	13	330	204	20	Magnet, Screw	-	-	-	■
4140830	-	Compact LED light, 2pole DC, door switch controlled	17	430	321	30	Magnet, Screw	-	-	-	■
4140840	-	Compact LED light, 2pole DC, door switch controlled	21	530	408	40	Magnet, Screw	-	-	-	■

Compact Light Accessories		Description	PU	Dimensions (W)		Will work with	KX	JB	AX	WM
Part No.	Catalog No.			in	mm					
4140000 ²	-	Mounting kit magnet	2	-	-	All compact lights	-	-	-	■
4315810 ³	-	Door-operated switch with cable	1	118	3000	All LED compact lights	-	-	-	■
4315820	-	Door-operated switch with cable	1	39	1000	All LED compact lights	-	-	-	■
4315800 ⁴	-	Infeed, 2pole DC	1	118	3000	All LED compact lights	-	-	-	■
4315830	-	Through-wiring, 2pole DC	1	24	600	All LED compact lights	-	-	-	■
4315840	-	Through-wiring, 2pole DC	1	39	1000	All LED compact lights	-	-	-	■

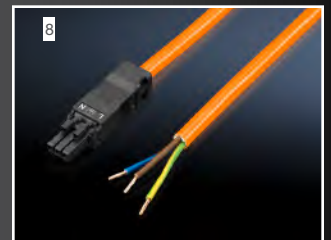
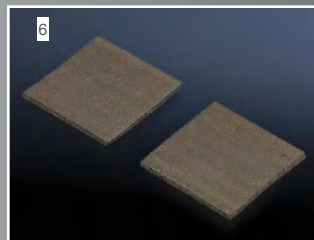


Accessories - Interior Fittings

LED System Lights and accessories

LED System Lights ⁵		Description	Dimensions (W)		NEMA Socket	Output Lumen	Installation Method	KX	JB	AX	WM
Part No.	Catalog No.		in	mm							
2500300	-	LED system light, 3pole AC with motion detector	17	437	-	1200	Magnet, Screw	-	-	■	■
2500314	-	LED system light, 3pole AC with motion detector	17	437	■	1200	Screw	-	-	■	■
2500320	-	LED system light, 2pole DC with motion detector	17	437	-	1200	Magnet, Screw	-	-	■	■
2500200	-	LED system light, 3pole AC, door switch controlled	17	437	-	900	Magnet, Screw	-	-	■	■
2500214	-	LED system light, 3pole AC, door switch controlled	17	437	■	900	Screw	-	-	■	■
2500220	-	LED system light, 2pole DC, door switch controlled	17	437	-	900	Magnet, Screw	-	-	■	■
2500114	-	LED system light, 2pole AC, door switch controlled	13	337	-	600	Magnet, Screw	-	-	■	■
2500104	-	LED system light, 2pole AC, door switch controlled	10	262	-	400	Magnet, Screw	-	-	■	■

LED System Light Accessories		Description	PU	Dimensions (W)		Will work with	KX	JB	AX	WM
Part No.	Catalog No.			in	mm					
2500490	-	Mounting kit magnet	2	-	-	All apart from light with socket	-	-	■	■
2500470	-	Door-operated switch with cable	1	30	800	All apart from 1200 lumen motion sensor lights	-	-	■	■
4127010 ⁶	-	Door-operated switch without cable	1	118	3000	All apart from 1200 lumen motion sensor lights	-	-	■	■
2500670 ⁷	-	Cable for door operated switch	1	-	-	All apart from 1200 lumen motion sensor lights	-	-	■	■
2500500	-	Infeed, 3pole AC	1	118	3000	1200 & 900 lumen AC lights	-	-	■	■
2500530	-	Through-wiring, 3pole AC	1	39	1000	1200 & 900 lumen AC lights	-	-	■	■
2500410	-	Infeed, 2pole DC	5	118	3000	1200 & 900 lumen DC lights	-	-	■	■
2500440 ⁸	-	Through-wiring, 2pole DC	5	39	1000	1200 & 900 lumen DC lights	-	-	■	■
2500520	-	Infeed, 2pole AC	1	118	3000	600 & 400 lumen AC lights	-	-	■	■
2500550	-	Through-wiring, 2pole AC	1	39	1000	600 & 400 lumen AC lights	-	-	■	■



Accessories - Interior Fittings

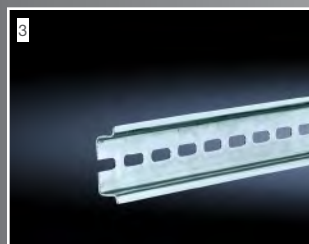
Depth rails, DIN rails and accessories

Depth Rails 1 2		Description	PU	Fits Enclosure (D)		KX	JB	AX	WM
Part No.	Catalog No.			in	mm				
2383210	-	Depth rail for WM, compression fit	4	8	210	-	-	-	■
2383250	-	Depth rail for WM, compression fit	4	10	250	-	■	-	■
2383300	-	Depth rail for WM, compression fit	4	12	300	-	-	-	■
2383350	-	Depth rail for WM, compression fit	4	14	350	-	-	-	■
2394210	-	Depth rail for AX, half-shear installable	4	8	210	-	-	■	-
2394250	-	Depth rail for AX, half-shear installable	4	10	250	-	-	■	-
2394300	-	Depth rail for AX, half-shear installable	4	12	300	-	-	■	-
2394350	-	Depth rail for AX, half-shear installable	4	14	350	-	-	■	-
2394400	-	Depth rail for AX, half-shear installable	4	16	400	-	-	■	-
2394100	-	Base configuration rail for AX	4	-	-	-	-	■	-

DIN Rails 3		Description	PU	Fits Enclosure (W)		KX	JB	AX	WM
Part No.	Catalog No.			in	mm				
2314000	-	DIN rails for AX / KX, TS 35/7.5	10	6	150	■	■	■	■
2315000	-	DIN rails for AX / KX, TS 35/7.5	10	8	200	■	■	■	■
2316000	-	DIN rails for AX / KX, TS 35/7.5	10	12	300	■	■	■	■
2317000	-	DIN rails for AX / KX, TS 35/7.5	10	16	400	■	■	■	■
2318000	-	DIN rails for AX / KX, TS 35/15	10	20	500	■	■	■	■
2319000	-	DIN rails for AX / KX, TS 35/15	10	24	600	■	■	■	■
2313150	-	DIN rails for AX / KX, TS 35/15, 2000 mm	6	-	-	■	■	■	■
2313750	-	DIN rails for AX / KX, TS 35/7.5, 2000 mm	6	-	-	■	■	■	■
2309000	-	Mounting clip for DIN rails	30	-	-	■	■	■	■
2309100	-	Mounting claw for KX second mounting level	20	-	-	■	-	-	-
2365000 4	-	DIN rail mounting bracket, flat	20	-	-	■	■	■	■
2366000 4	-	DIN rail mounting bracket, inclined	20	-	-	■	■	■	■

Brackets		Description	PU	Note	KX	JB	AX	WM
Part No.	Catalog No.							
2373000 5	-	Universal bracket	6	For lights / door switch installation	-	■	-	■
4597000 6	-	Mounting bracket	4	For accessory installation	-	-	■	■
6205100	-	Mounting bracket	4	For LED light installation	-	-	■	-

Screws		Description	PU	Dimensions	KX	JB	AX	WM
Part No.	Catalog No.							
2486600	-	Metal multi-tooth screws	300	5.5 x 13	■	■	■	■
2504000	-	Self-tapping screws (hex screws)	500	M5 x 10	■	■	■	■
2487000	-	Self-tapping screws	300	ST 4.8 x 16	■	■	■	■
8800770	-	Isolator cap for screw head	100					

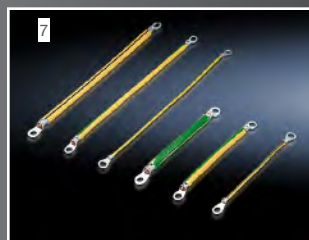


Accessories - Interior Fittings

Ground Straps and Mounting Plates

Ground Straps ⁷		Description	PU	Cross Section	Length	KX	JB	AX	WM
Part No.	Catalog No.			mm ²	mm				
2565110	-	Ground strap, M6 – M8	5	10	300	-	-	-	■
2564000	-	Ground strap, M8	5	4	170	-	-	■	-
2565000	-	Ground strap, M8	5	16	170	-	-	■	-
2566000	-	Ground strap, M8	5	25	170	-	-	■	-
2567000	-	Ground strap, M8	5	4	300	-	-	■	-
2565120	-	Ground strap, M8	5	10	300	-	-	■	-
2568000	-	Ground strap, M8	5	16	300	-	-	■	-
2569000	-	Ground strap, M8	5	25	300	-	-	■	-
2565100	-	Ground strap, M6	5	10	200	■	■	-	-
2565050	-	Ground strap, M6	5	10	350	■	■	-	-

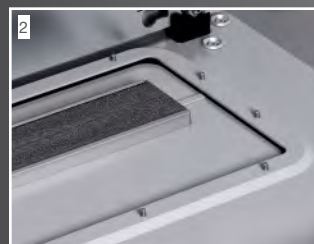
Mounting Plates ⁸		Description	PU	Fits Enclosure (H x W)		KX	JB	AX	WM
Part No.	Catalog No.			in	mm				
1560800	-	Mounting plate for KX	1	6 x 6	150 x 150	■	-	-	-
1575800	-	Mounting plate for KX	1	8 x 6	200 x 150	■	-	-	-
1561800	-	Mounting plate for KX	1	12 x 6	300 x 150	■	-	-	-
1576800	-	Mounting plate for KX	1	16 x 6	400 x 150	■	-	-	-
1562800	-	Mounting plate for KX	1	8 x 8	200 x 200	■	-	-	-
1563800	-	Mounting plate for KX	1	12 x 8	300 x 200	■	-	-	-
1564800	-	Mounting plate for KX	1	16 x 8	400 x 200	■	-	-	-
1565800	-	Mounting plate for KX	1	20 x 8	500 x 200	■	-	-	-
1566800	-	Mounting plate for KX	1	24 x 8	600 x 200	■	-	-	-
1574800	-	Mounting plate for KX	1	32 x 8	800 x 200	■	-	-	-
1567800	-	Mounting plate for KX	1	12 x 12	300 x 300	■	-	-	-
1568800	-	Mounting plate for KX	1	16 x 12	400 x 300	■	-	-	-
1569800	-	Mounting plate for KX	1	20 x 12	500 x 300	■	-	-	-
1570800	-	Mounting plate for KX	1	24 x 12	600 x 300	■	-	-	-
1570810	-	Mounting plate for KX	1	32 x 12	800 x 300	■	-	-	-
1571800	-	Mounting plate for KX	1	16 x 16	400 x 400	■	-	-	-
1572800	-	Mounting plate for KX	1	24 x 16	600 x 400	■	-	-	-
1573800	-	Mounting plate for KX	1	32 x 16	800 x 400	■	-	-	-



Accessories - Cable Routing

Gland plates

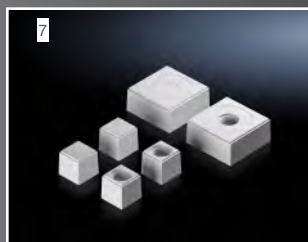
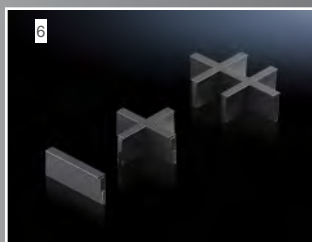
Gland Plates 1 2 3 4		Description	PU	Dimensions (W x D)		KX	JB	AX	WM
Part No.	Catalog No.			in	mm				
2571100	-	Metal gland plate, Size 1	1	10 x 6	256 x 149	-	-	■	-
2572100	-	Metal gland plate, Size 2	1	13 x 6	339 x 149	-	-	■	-
2573100	-	Metal gland plate, Size 3	1	18 x 6	447 x 149	-	-	■	-
2574100	-	Metal gland plate, Size 4	1	21 x 6	534 x 149	-	-	■	-
2575100	-	Metal gland plate, Size 5	1	12 x 9	301 x 221	-	-	■	-
2576100	-	Metal gland plate, Size 6	1	16 x 9	401 x 221	-	-	■	-
2577100	-	Metal gland plate, Size 7	1	17 x 9	436 x 221	-	-	■	-
2565400	-	Metal gland plate with rubber cable clamp strip, Size 5	1	12 x 9	301 x 221	-	-	■	-
2566400	-	Metal gland plate with rubber cable clamp strip, Size 6	1	16 x 9	401 x 221	-	-	■	-
2567400	-	Metal gland plate with rubber cable clamp strip, Size 7	1	17 x 9	436 x 221	-	-	■	-
2561300	-	Plastic gland plate with membranes, Size 1	1	10 x 6	256 x 149	-	-	■	-
2562300	-	Plastic gland plate with membranes, Size 2	1	13 x 6	339 x 149	-	-	■	-
2563300	-	Plastic gland plate with membranes, Size 3	1	18 x 6	447 x 149	-	-	■	-
2564300	-	Plastic gland plate with membranes, Size 4	1	21 x 6	534 x 149	-	-	■	-
2565300	-	Plastic gland plate with membranes, Size 5	1	12 x 9	301 x 221	-	-	■	-
2566300	-	Plastic gland plate with membranes, Size 6	1	16 x 9	401 x 221	-	-	■	-
2567300	-	Plastic gland plate with membranes, Size 7	1	17 x 9	436 x 221	-	-	■	-
2561200	-	Plastic gland plate, modular, Size 1	1	10 x 6	256 x 149	-	-	■	-
2562200	-	Plastic gland plate, modular, Size 2	1	13 x 6	339 x 149	-	-	■	-
2563200	-	Plastic gland plate, modular, Size 3	1	18 x 6	447 x 149	-	-	■	-
2564200	-	Plastic gland plate, modular, Size 4	1	21 x 6	534 x 149	-	-	■	-
2565200	-	Plastic gland plate, modular, Size 5	1	12 x 9	301 x 221	-	-	■	-
2566200	-	Plastic gland plate, modular, Size 6	1	16 x 9	401 x 221	-	-	■	-
2567200	-	Plastic gland plate, modular, Size 7	1	17 x 9	436 x 221	-	-	■	-
1581200	-	Metal gland plate for KX	1	-	-	■	-	-	-



Accessories - Cable Routing

Gland Plates

Cable Entry ⁵ ⁶ ⁷		Description	PU	Notes	KX	JB	AX	WM
Part No.	Catalog No.							
2583100	-	Sealing frame for 10 seal inserts, 24-pole	1	To fit into modular gland plate	-	-	■	-
2583080	-	Sealing frame for 8 seal inserts, 16-pole	1	To fit into modular gland plate	-	-	■	-
2582100	-	Inlay for cable entry, one slot	5	To subdivide the sealing frame	-	-	■	-
2582200	-	Inlay for cable entry, two slots	5	To subdivide the sealing frame	-	-	■	-
2582400	-	Inlay for cable entry, four slots	5	To subdivide the sealing frame	-	-	■	-
2582600	-	Inlay for cable entry, six slots	5	To subdivide the sealing frame	-	-	■	-
2580000	-	Seal inserts for cable entry small, solid	10	For individual cable entry	-	-	■	-
2580003	-	Seal inserts for cable entry small, 3 mm	10	For individual cable entry	-	-	■	-
2580004	-	Seal inserts for cable entry small, 4 mm	10	For individual cable entry	-	-	■	-
2580005	-	Seal inserts for cable entry small, 5 mm	10	For individual cable entry	-	-	■	-
2580006	-	Seal inserts for cable entry small, 6 mm	10	For individual cable entry	-	-	■	-
2580007	-	Seal inserts for cable entry small, 7 mm	10	For individual cable entry	-	-	■	-
2580008	-	Seal inserts for cable entry small, 8 mm	10	For individual cable entry	-	-	■	-
2580009	-	Seal inserts for cable entry small, 9 mm	10	For individual cable entry	-	-	■	-
2580010	-	Seal inserts for cable entry small, 10 mm	10	For individual cable entry	-	-	■	-
2580011	-	Seal inserts for cable entry small, 11 mm	10	For individual cable entry	-	-	■	-
2580012	-	Seal inserts for cable entry small, 12 mm	10	For individual cable entry	-	-	■	-
2580013	-	Seal inserts for cable entry small, 13 mm	10	For individual cable entry	-	-	■	-
2580014	-	Seal inserts for cable entry small, 14 mm	10	For individual cable entry	-	-	■	-
2580100	-	Seal inserts for cable entry large, solid	5	For individual cable entry	-	-	■	-
2580115	-	Seal inserts for cable entry large, 15 mm	5	For individual cable entry	-	-	■	-
2580116	-	Seal inserts for cable entry large, 16 mm	5	For individual cable entry	-	-	■	-
2580117	-	Seal inserts for cable entry large, 17 mm	5	For individual cable entry	-	-	■	-
2580118	-	Seal inserts for cable entry large, 18 mm	5	For individual cable entry	-	-	■	-
2580119	-	Seal inserts for cable entry large, 19 mm	5	For individual cable entry	-	-	■	-
2580120	-	Seal inserts for cable entry large, 20 mm	5	For individual cable entry	-	-	■	-
2580121	-	Seal inserts for cable entry large, 21 mm	5	For individual cable entry	-	-	■	-
2580122	-	Seal inserts for cable entry large, 22 mm	5	For individual cable entry	-	-	■	-
2580123	-	Seal inserts for cable entry large, 23 mm	5	For individual cable entry	-	-	■	-
2580124	-	Seal inserts for cable entry large, 24 mm	5	For individual cable entry	-	-	■	-
2580125	-	Seal inserts for cable entry large, 25 mm	5	For individual cable entry	-	-	■	-
2583120 ⁸	-	Locking clip for seal inserts	10	For secure clipping of seal inserts	-	-	■	-



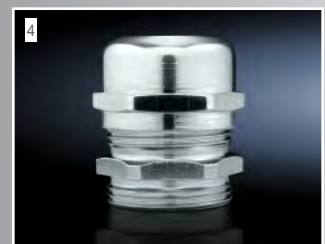
Accessories - Cable routing

Connector gland and cable glands

Connector Gland ¹		Description	PU	Note	KX	JB	AX	WM
Part No.	Catalog No.							
2400300	-	Connector gland, small	1	To fit 2 cables, 6 - 8 mm dia	-	-	■	-
2400500	-	Connector gland, small	5	To fit 3 cables, 4 - 6 mm dia	-	-	■	-

Cable Gland ^{2 3}		Description	PU	Size	KX	JB	AX	WM
Part No.	Catalog No.							
2411801	-	Cable gland, brass	15	M12 x 1.5	■	-	■	-
2411811	-	Cable gland, brass	15	M16 x 1.5	■	-	■	-
2411821	-	Cable gland, brass	10	M20 x 1.5	■	-	■	-
2411831	-	Cable gland, brass	10	M25 x 1.5	■	-	■	-
2411841	-	Cable gland, brass	5	M32 x 1.5	■	-	■	-
2411851	-	Cable gland, brass	4	M40 x 1.5	■	-	■	-
2411861	-	Cable gland, brass	2	M50 x 1.5	■	-	■	-
2411871	-	Cable gland, brass	1	M63 x 1.5	■	-	■	-
2411601	-	Cable gland, polyamide	50	M12 x 1.5	■	-	■	-
2411611	-	Cable gland, polyamide	50	M16 x 1.5	■	-	■	-
2411621	-	Cable gland, polyamide	50	M20 x 1.5	■	-	■	-
2411631	-	Cable gland, polyamide	25	M25 x 1.5	■	-	■	-
2411641	-	Cable gland, polyamide	15	M32 x 1.5	■	-	■	-
2411651	-	Cable gland, polyamide	5	M40 x 1.5	■	-	■	-
2411661	-	Cable gland, polyamide	5	M50 x 1.5	■	-	■	-
2411671	-	Cable gland, polyamide	3	M63 x 1.5	■	-	■	-

EMC Cable Gland ⁴		Description	PU	Size	Cable Diameter mm	KX	JB	AX	WM
Part No.	Catalog No.								
2843160	-	EMC cable gland	5	M16	4.5 - 10	■	-	■	-
2843200	-	EMC cable gland	5	M20	6 - 12	■	-	■	-
2843250	-	EMC cable gland	5	M25	11 - 17	■	-	■	-
2843320	-	EMC cable gland	1	M32	15 - 21	■	-	■	-
2843400	-	EMC cable gland	1	M40	19 - 28	■	-	■	-
2843500	-	EMC cable gland	1	M50	27 - 38	■	-	■	-
2843630	-	EMC cable gland	1	M63	34 - 44	■	-	■	-



Hole seals, condensate drain, pressure relief, sealing washers and touch-up paint

Oiltight Hole Seal ⁵		Description	PU	KX	JB	AX	WM
Part No.	Catalog No.						
8018234	OHSMPBC	Hole seal for empty push button holes, 22.5 mm, Carbon Steel	1	■	■	■	■
8018240	OHSSPBC	Hole seal for empty push button holes, 30.5 mm, Carbon Steel	1	■	■	■	■
8018236	OHS050C	Hole seal for empty conduit openings, 0.5" , Carbon Steel	1	■	■	■	■
8018238	OHS075C	Hole seal for empty conduit openings, 0.75" , Carbon Steel	1	■	■	■	■
8018242	OHS100C	Hole seal for empty conduit openings, 1.00" , Carbon Steel	1	■	■	■	■
8018244	OHS125C	Hole seal for empty conduit openings, 1.25" , Carbon Steel	1	■	■	■	■
8018246	OHS150C	Hole seal for empty conduit openings, 1.50" , Carbon Steel	1	■	■	■	■
8018250	OHS200C	Hole seal for empty conduit openings, 2.00" , Carbon Steel	1	■	■	■	■
8018252	OHS250C	Hole seal for empty conduit openings, 2.50" , Carbon Steel	1	■	■	■	■
8018254	OHS300C	Hole seal for empty conduit openings, 3.00" , Carbon Steel	1	■	■	■	■
8018256	OHS350C	Hole seal for empty conduit openings, 3.50" , Carbon Steel	1	■	■	■	■
8018258	OHS400C	Hole seal for empty conduit openings, 4.00" , Carbon Steel	1	■	■	■	■

Condensate and Pressure Relief		Description	PU	KX	JB	AX	WM
Part No.	Catalog No.						
2459000 ⁶	-	Condensate drain, Polyamide	6	■	■	■	■
2459500 ⁷	-	Pressure relief stopper, Polyamide	5	■	■	■	■

Sealing Washers		Description	Torque (in-lbs)		PU	KX	JB	AX	WM
Part No.	Catalog No.		min	max					
9974032	-	M4 sealing washers UL50E, Nitrile	10	15	8	■	■	■	■
9974033	-	M5 sealing washers UL50E, Nitrile	10	15	8	■	■	■	■
9974034	-	M6 sealing washers UL50E, Nitrile	10	15	8	■	■	■	■
9974035	-	M8 sealing washers UL50E, Nitrile	20	25	8	■	■	■	■
9974036	-	M10 sealing washers UL50E, Nitrile	30	35	8	■	■	■	■
9974037	-	M12 sealing washers UL50E, Nitrile	40	40	8	■	■	■	■

Paint ⁸		Description	Size		PU	KX	JB	AX	WM
Part No.	Catalog No.		oz	ml					
9095006	-	Touch-up pen, RAL 7035	6	177	1	■	■	■	■
9093006	-	Touch-up spray can, RAL 7035	12	355	1	■	■	■	■
9094006	-	Touch-up and repair paint can, RAL 7035	32	946	1	■	■	■	■



Rittal – The System.

Faster – better – everywhere.

- Enclosures
- Power Distribution
- Climate Control
- IT Infrastructure
- Software & Services

Rittal North America LLC

Woodfield Corporate Center
425 North Martingale Road, Suite 400 • Schaumburg, Illinois 60173 • USA
Phone: 937-399-0500 • Toll-free: 800-477-4000
Email: rittal@rittal.us • Online: www.rittal.com

Rittal Limited

6485 Ordan Drive • Mississauga, Ontario L5T 1X2 • Canada
Phone: 905-795-0777 • Toll-free: 800-399-0748
E-Mail: marketing@rittal.ca • Online: www.rittal.ca

Rittal Mexico

Dr. Roberto Gayol 1219-1B • Col. Del Valle Sur, 03100 • Mexico, D.F.
Phone: (+52) (55) 5559-5369 • Toll-free: 01 800 8 Rittal (748.825)
E-Mail: info@rittal.com.mx • Website: www.rittal.com.mx

US517-BR-TR ■ 10/22

ENCLOSURES

POWER DISTRIBUTION

CLIMATE CONTROL

IT INFRASTRUCTURE

SOFTWARE & SERVICES

