

MD66

High Temperature Rack Conveyor
Dishwashing Machine with 22" Prewash



MD66 shown with standard
extended vent stack and
optional booster heater



SPECIFIER STATEMENT

Specified unit will be Moyer Diebel MD66 rack conveyor dishwashing machine with 22" [559 mm] prewash.

Features include: chemical connections, vent fan interlock and table limit switch connections, energy sentinel, extended vent cowls with stack and dampers, built in diagnostics and anti-jam conveyor drive system.

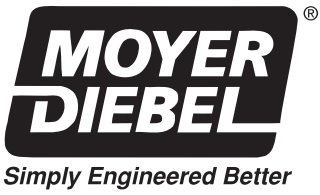
1 year parts and labor warranty.

STANDARD FEATURES

- **ENERGY STAR® Qualified**
- Seamless 22" prewash
- High performance 219 racks per hour
130 gallons [108 imp gal] per hour
0.59 gallons [0.49 imp gal] per rack
- Low water consumption
- Energy Sentinel, for low water usage
- Built-in diagnostics
- Easy clean stainless steel upper and lower wash and rinse arms
- Stainless steel vent cowls and extra curtain (set)
- Anti-jam conveyor system
- Vent fan interlock connection
- Table limit switch connection
- Single point electrical connection
- Single point water connection
- Drain is a manual ball valve
- Booster heater is optional
- Complete with two 20" x 20" racks,
one peg and one flat
- One year parts and labor warranty

OPTIONS & ACCESSORIES

- 40°F (4°C) rise (16 kW) electric booster
- 70°F (21°C) rise (27 kW) electric booster
- Direction of operation
 - Right to left
 - Left to right
- Table limit switch
- Drain water tempering kit (mounted & interwired)
- Voltage 480/60/3
- Water Pressure Reducing Valve (unmounted)
(standard with booster)
- Cold water thermostat
- Shock arrester (unmounted)
- Copper final rinse lines



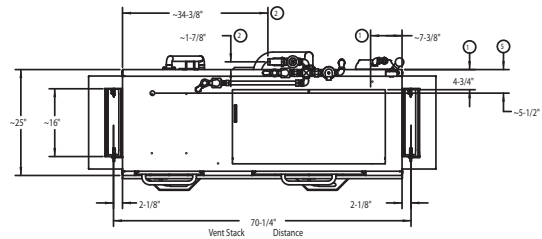
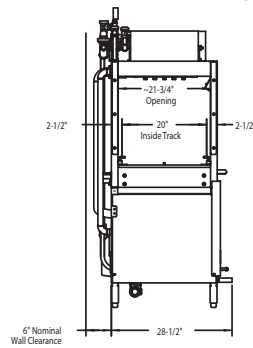
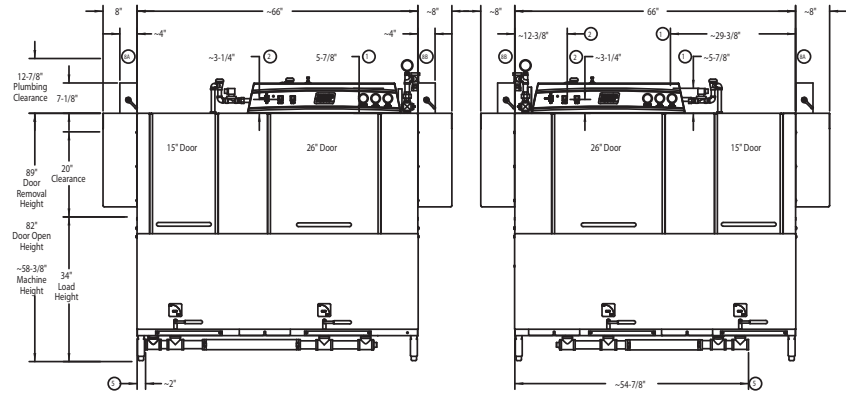
MD66

High Temperature Rack Conveyor Dishwashing Machine

Utilities	
1 Electrical	Machine and booster (See electrical chart)
2 Hot water	Main connection 3/4" NPT. 110°-140°F (43°-60°C) 20-22 PSI Flow pressure (124-152 kPa) PRV supplied with booster only
5 Drain Connection	1-1/2" NPT
8 Vent Stack Connection	A. Load end 150 CFM @ 1/4" static pressure B. Unload end 400 CFM @ 1/4" static pressure

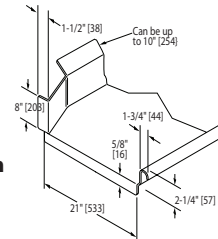
Shipping weight crated: **1000 lbs. [454 kg]**

Dimensions shown in inches and [millimeters]



Plan View

Suggested Table Construction



SPECIFICATIONS

Capacity

Racks per hr. (NSF rated)	219
Conveyor speed (ft/min)	6.0

Motor Horsepower

Wash	2
Prewash	1

Water Consumption

Per hr. (max. use)	130 US gal/108 imp. gal
Per rack	.59 US gal/.49 imp.gal

Heating

Tank heat, electric (kW)	15
Electric booster (kW supplied for 40° F rise)	16
Electric booster (kW supplied for 70° F rise)	27

Warning: Plumbing and electrical connections should be made by qualified personnel who will observe all the applicable plumbing, sanitary and safety codes.

Machine only			
Elec. Specs.	Rate Amps	Maximum Supply Ckt. Conductor Ampacity	Maximum Overcurrent Protective Device
208/60/3	59	70	70
240/60/3	55	70	70
480/60/3	29	40	40

MD66 with 40° F Rise (16kW) Booster			
Elec. Specs.	Rate Amps	Maximum Supply Ckt. Conductor Ampacity	Maximum Overcurrent Protective Device
208/60/3	103	125	125
240/60/3	93	110	110
480/60/3	48	60	60

MD66 with 70° F Rise (27kW) Booster			
Elec. Specs.	Rate Amps	Maximum Supply Ckt. Conductor Ampacity	Maximum Overcurrent Protective Device
208/60/3	134	150	150
240/60/3	119	150	150
480/60/3	62	70	70

Booster Heater Only			
40 F Rise, 16KW			
Elec. Specs.	Rate Amps	Maximum Supply Ckt. Conductor Ampacity	Maximum Overcurrent Protective Device
208/60/3	44	60	60
240/60/3	39	50	50
480/60/3	19	25	25

Booster Heater Only			
70° F Rise, 27kW			
Elec. Specs.	Rate Amps	Maximum Supply Ckt. Conductor Ampacity	Maximum Overcurrent Protective Device
208/60/3	75	90	90
240/60/3	65	80	80
480/60/3	33	40	40

Moyer Diebel – USA
3765 Champion Blvd., NC 27105
336/661-1979 • Fax: 336/661-1979
www.moyerdiebel.com

