



# GAS STEAM TILTING KETTLE

Job # \_\_\_\_\_



Shown with optional spring assist cover

MODEL	CAPACITY	
GLT-20	20 Gallon	76 Liter
GLT-30	30 Gallon	114 Liter
GLT-40	40 Gallon	152 Liter
GLT-60	60 Gallon	227 Liter

### OPERATION SHALL BE BY:

High efficiency power burner system for operation on 120 VAC, 1 Phase, 50/60 Hz.

- Natural gas
- L.P. gas

### OPTIONAL ITEMS AT EXTRA COST:

- 220-240 VAC operation (specify voltage)(GKVS-1)
- Spring assist stainless steel cover (CH-)
- 2" (50 mm) tangent draw-off valve with perforated strainer (TVT-2)
- 3" (76 mm) tangent draw-off valve with perforated strainer (TVT-3)
- Etched gallon markings (GM-)
- Etched litre markings (LM-)
- Single pantry faucet with swing spout (SF-18)
- Double pantry faucet with swing spout (DF-18)
- Single pantry kettle filler (SP-KF-GK)
- Double pantry kettle filler (DP-KF-GK)
- Correctional package
- Triple basket assembly (TBA-G)
- Graduated measuring strip (CMS-)
- Solid stainless steel disc for draw off (TSS-)
- Strainer hook (SH-)
- Pour strainer (TKS-G)
- Pan carrier (PC-4)
- Draw-off valve hose kit (DVHK-)

### SPECIFICATIONS:

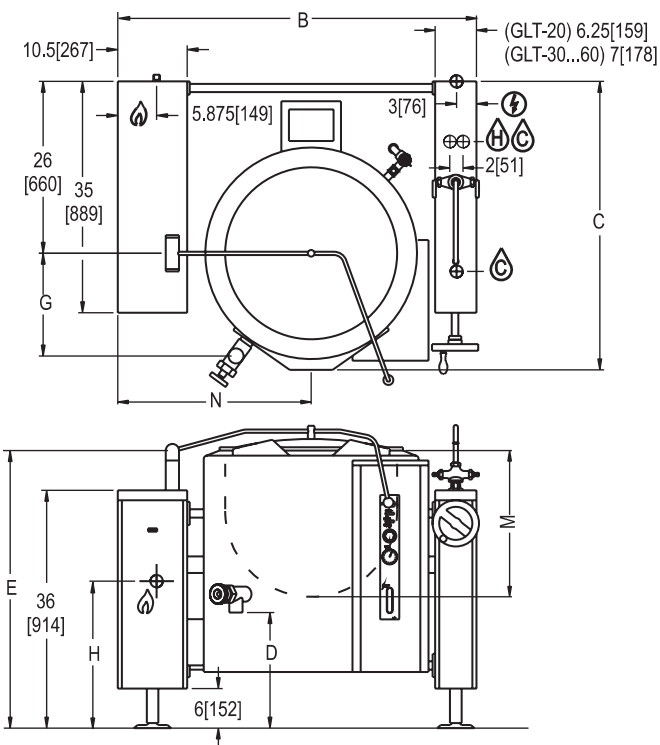
Shall be a Crown Model \_\_\_\_\_, self-contained, gas fired, steam jacketed kettle, ASME Code stamped, National Board Registered, AGA, CGA and NSF certified for operation up to 50 PSI. A double wall interior shall form a steam jacket around the lower 2/3 of the kettle. The jacket enclosure shall contain factory sealed, distilled water. The kettle interior shall be stainless steel, type 316 for high acid content cooking. Kettle exterior is fully insulated. The bottom of the kettle shall be of hemispherical design for superior heat circulation. The recessed control panel is located on the front right of the unit, in full view of the operator and easy to use. Standard controls include direct immersion thermostat for operation at a temperature range of 165°F to 275°F (74°C to 135°C) at 50 psi, water sight glass, cooking light, pressure gauge and electronic ignition with ignition indicator light. Comes standard with 3 piece split faucet bracket. Safety features include low water shut off with indicator light, pressure switch, pressure relief valve and a 100% safety gas shut off valve.

The kettle shall pivot on trunnions connected to the tilt mechanism and control consoles. The tilt mechanism shall allow the kettle to tilt past 90° for complete emptying. The console shall be drip proof, stainless steel clad and shall be supported on all welded, 1-5/8" (41 mm) diameter stainless steel legs with flanged feet for securing to the floor.



Models:  GLT-20  GLT-30  GLT-40  GLT-60

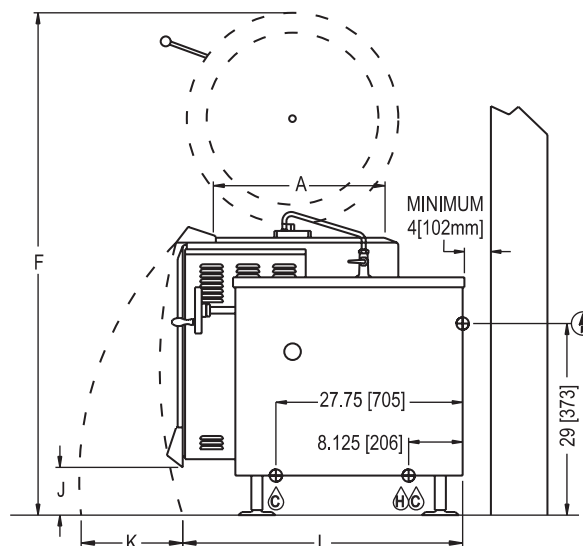
MODEL	SHIPPING WEIGHT	MINIMUM CLEARANCE *	
GLT-20	700 lbs. [318 kg]	Sides Back	0" [0 mm] 4" [102 mm]
GLT-30	900 lbs. [408 kg]		
GLT-40	930 lbs. [422 kg]		
GLT-60	1142 lbs. [51 kg]		



DIMENSIONS ARE IN INCHES [MM]



**FLANGED FOOT DETAIL**  
2 EQUALLY SPACED  
Ø7/16" [11mm] HOLES  
ON 2.5 [63] B.C.



### DIMENSIONS

MODEL	CAPACITY	UNITS	A	B	C	D	E	F	G	H	J	K	L	M	N
GLT-20	20 gallons (76 liters)	in (mm)	20" (508)	48.13" (1222)	40.63" (1032)	19" (483)	40.13" (1019)	76.5" (1943)	16.5" (419)	24" (610)	11" (279)	22" (559)	40.5" (1029)	18.38" (467)	25.5" (648)
GLT-30	30 gallons (114 liters)	in (mm)	26" (660)	55.25" (1403)	43.63" (1108)	16.5" (419)	39" (991)	73.75" (1873)	15.5" (394)	22.25" (565)	7.5" (191)	21" (538)	38.13" (968)	17.88" (454)	28.5" (724)
GLT-40	40 gallons (152 liters)	in (mm)	26" (660)	55.25" (1403)	43.63" (1108)	16.5" (419)	43.25" (1099)	76" (1930)	15.5" (394)	22.25" (565)	7.5" (191)	23" (584)	42.5" (1080)	22.13" (562)	28.5" (724)
GLT-60	60 gallons (227 liters)	in (mm)	30" (762)	59" (1499)	45.63" (1159)	17.88" (454)	43.88" (1115)	82" (2083)	19.5" (495)	22.25" (565)	5.5" (140)	23" (584)	45.5" (1156)	24.75" (629)	30.5" (775)

### UTILITIES

MODEL	BTU/HR.		kW/HR.		SUPPLY PIPE PRESSURE (W.C.)	
	BTU/HR.	kW/HR.	BTU/HR.	kW/HR.	Natural	Propane
GLT-20	80,000	23.4	6"-14" (152-356 mm)	35.2	6"-14" (152-356 mm)	11"-14" (279-356 mm)
GLT-30	100,000	29.3				
GLT-40	100,000	29.3				
GLT-60	120,000	35.2				

\* For use on non-combustible floors only.

### SERVICE CONNECTIONS

- 🔥 - GAS CONNECTION: Supply Gas through 3/4" pipe. A gas shut off valve must be installed in supply piping convenient and adjacent to appliance.
- ⚡ - ELECTRICAL CONNECTION : Unless otherwise specified, field wire electrical connection to be 120 volts, 60 Hz, 1 phase with grounding wire. Unit furnished with 6' cord and 3 prong plug. Total maximum amps 4.0.
- 💧 - COLD WATER: 3/8" (10 mm) tubing to faucet (optional)
- 🔥 - HOT WATER: 3/8" (10 mm) tubing to faucet (optional)

**INTENDED FOR COMMERCIAL USE ONLY.  
NOT FOR HOUSEHOLD USE.**



70 Oakdale Road, Toronto ON, Canada M3N 1V9  
(919) 762-1000 www.crownsteamgroup.com