



# BEVERAGE-AIR

Project: _____	AIA#
Item: _____	
Location: _____	SIS#
Approved: _____	

**STF58HC DUAL ACCESS, FORCED AIR: SCHOOL MILK SERIES**

## SCHOOL MILK FORCED AIR COOLER

STF58HC Dual Access Cooler  
Hydrocarbon Series

**MODELS:**  
STF58HC-1-S  
STF58HC-1-W



**3 Year Parts/Labor Warranty**  
**Additional 4 Year Compressor Warranty**

### CABINET CONSTRUCTION

- SS units: Stainless steel exterior and interior
- White units: White coated steel exterior. Interior features galvanized walls with stainless steel floor for maximum milk crate support
- Stainless steel lids, hinges doors and door latches
- Full electronic control
- Heavy-duty epoxy coated steel wire floor racks standard
- Floor drain is centrally located for easy cleaning and connecting to drain hose with hose adapter
- Flexible compression door gaskets ensure tight seal
- Self-latching doors/lids with safety bumpers
- Exterior thermometer
- Cylinder lock
- 5" Heavy-duty plate casters (2 with locks)
- Balanced, forced-air refrigeration system provides rapid chilling of product
- Maintains product temperature between 36° - 40°F

### OPTIONS & ACCESSORIES

- Stainless steel interior on white models -02
- Corner bumpers
- Cafeteria tray slide
- Graphics

### REFRIGERATION SYSTEM

- Uses environmentally friendly, energy efficient R290 refrigerant, and meets all regulatory requirements for CARB, SNAP, DOE & more
- Epoxy coated evaporator coil



  
Please verify qualifying units by visiting:  
[www.energystar.gov/cfs](http://www.energystar.gov/cfs)

3779 Champion Blvd., Winston-Salem, NC 27105  
1-888-845-9800 Fax: 1-336-245-6453  
Beverage-Air.com Sales@bevair.com



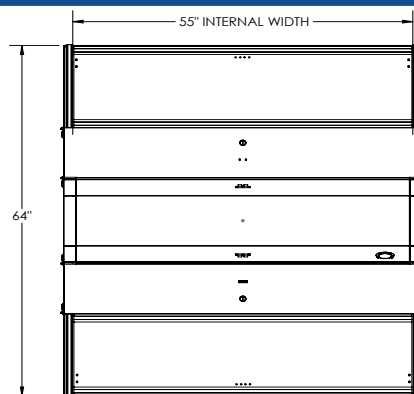
# BEVERAGE-AIR

MODEL	STF58HC (white & stainless steel models)
<b>EXTERNAL DIMENSIONAL DATA</b>	
Width Overall	58"
Depth Overall	34"
Height Overall with Casters	47 <sup>3</sup> / <sub>4</sub> "
Number of Lids/Doors	Dual Access
Both Lids Extended	64"
<b>INTERNAL DIMENSIONAL DATA</b>	
NET Capacity (cubic ft.)	24.3
Internal Width Overall (in)	46"
Internal Depth Overall (in)	30"
Internal Height Usable (in)	24 <sup>5</sup> / <sub>8</sub> "
<b>CASE CAPACITY</b>	
13" X 13" 11"	16
19" X 13" 11"	10
<b>ELECTRICAL DATA</b>	
Full Load Amperes	3.3
<b>REFRIGERATION DATA</b>	
Horsepower	1/3
Capacity (BTU/Hr)	2052
<b>SHIPPING DATA</b>	
Gross Weight - Crated lbs	496 lbs
Height - Crated	54"
Width - Crated	38"
Depth - Crated	63"

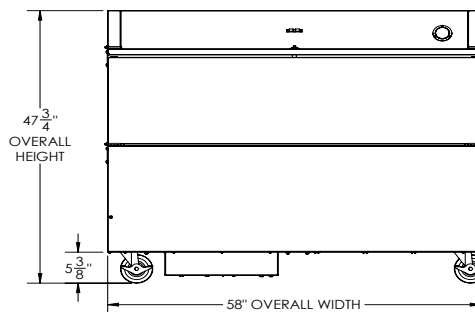
## School Milk Cooler

Model: STF58HC

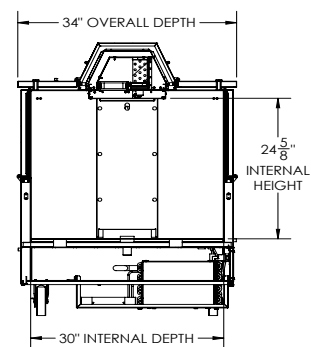
### Model Views



### PLAN VIEW



### ELEVATION VIEW



### SIDE VIEW

### \*ELECTRICAL CONNECTION



115/60/1  
NEMA 5-15P

Units pre-wired at factory and include 8' long cord and plug set.



3779 Champion Blvd., Winston-Salem, NC 27105 1-888-845-9800 Fax: 1-336-245-6453 Beverage-Air.com Sales@bevoir.com

an Ali Group Company



The Spirit of Excellence