

A FAMILY COMPANY MANUFACTURING IN THE USA SINCE 1969

Prices effective Dec. 1, 2020

Glastender®

Product Directory & Price List

2021



Expect more
more flexibility
more features

Madame Chose - Québec, Canada

GLASSWASHERS • FOODSERVICE FABRICATION AND REFRIGERATION • BEER SYSTEMS

Terms and Conditions

PRICES:

All prices are LIST. Applicable taxes will be added.

QUOTATIONS:

Unless otherwise stated, quotations are effective for 30 days only.

ACCEPTANCE:

All orders are subject to acceptance by Glastender, Inc.'s headquarters in Saginaw, Michigan. Possession of the Product Directory and Price List is not an offer to sell.

SHIPMENTS:

F.O.B. factory in Saginaw, Michigan. Freight terms are Third Party or Collect if shipped directly to you. Prepay and Add to Invoice freight terms are available upon request. The approximate shipping weights of all products are listed with the prices. Partial shipments will be made unless otherwise specified by the customer. Surface freight classifications are:

- GT-24/GT-30/GW24 Glasswashers - Class 175
- GT-18 Glasswashers - Class 250
- All Underbar Equipment - Class 175
- Bar Die Orders – Class 250
- Portable Bars - Class 175
- Remote refrigerators (i.e., no compressor) or dry storage back bar equipment - Class 175
- Self-contained refrigeration equipment - Class 150
- Ice Display Units (IDU and GDU) - Class 85
- Lighted Liquor Displays - Class 85
- Beer line chillers and beer towers (beverage dispensing equipment) - Class 92.5
- Bottle Disintegration System - Class 150
- Ice Cream Freezers - Class 77.5

All small items are evaluated to see the most cost effective means for shipment. Many small items ship via UPS or FedEx; however, when dimensional weight is excessive, LTL carriers are the most cost effective choice. Spare parts orders received before 1:00 PM EST can usually be shipped the same day.

The order department is happy to assist with routing or shipping questions.

PAYMENT TERMS:

Cash should be included with all orders unless credit terms have been arranged. To establish credit, banking and trade references are required. A convenient credit application is available upon request. Payment via credit card is not our normal means of receiving payment. Visa and MasterCard will be accepted, but must be charged at the time of shipment. In addition, a payment via credit card for orders totaling more than \$500 will incur a 3% convenience fee on the total transaction amount.

DELIVERY:

The majority of equipment is manufactured to order and typically ships within three to six weeks after complete order information is received by the factory. In-stock equipment typically ships within two to three days of the factory receiving complete order information.

RETURNS:

Items specified as "Manufactured to Order" are NOT returnable. A Return Authorization number must be issued by the factory in advance for any items that are returnable. The number MUST be noted on the outside of the returned package. Returns must be received within 90 days of the issue date. Shipping charges must be prepaid. A minimum 20% restocking charge will be applied to all authorized returns if received in new, unused condition in the original packaging. The above conditions apply to spare part returns, except spare part returns must be received within 30 days of original shipment for electronic or electrical parts or within 90 days for all other parts.

LOSS OR DAMAGE:

For customer routed shipments, Glastender, Inc. is not responsible for any loss, damage, or delay of merchandise during shipment. Such transit claims must be filed with the carrier. Merchandise must be examined on arrival. If shortages occur, Glastender, Inc. must be notified in writing

within five (5) days of delivery to honor any shortage claim. Glastender will assume responsibility for freight claims on Prepay and Add shipments but the customer must inspect freight and note any damage upon receipt. Failure to do so may result in losses at the customer's expense.

CUSTOM ORDERS:

Custom orders must be paid in advance and are not subject to cancellation.

LAMINATES:

Some products include common, readily available plastic laminates of the customer's selection. There may be an additional charge if uncommon varieties are ordered.

GLASTENDER FREIGHT PROGRAM

PROGRAM CONDITIONS

Glastender, Inc. equipment pricing includes standard freight costs under the following conditions:

- Equipment order is priced using Glastender's January 1, 2020 (or later) price list.
- Equipment order is for a minimum of \$2,500, shipped to a single destination at the same time.
- Freight carrier is selected by Glastender, Inc. and may vary based on destination, transit times, performance history, customer service, or other factors.
- Shipping destination is within the continental United States and Canada. Non-continental or other international destinations are shipped to port of export.
- Combining equipment orders is allowed to reach the minimum order level if combined orders are shipped to the same destination at the same time.
- Equipment order terms of sale are FOB Saginaw MI / Freight Prepaid.
- Equipment returns are not covered.
- Parts orders do not qualify and will be charged shipping accordingly.

CUSTOMER RESPONSIBILITIES

In addition to the program conditions listed above, the receiving customer must:

- Note all damage on the delivery receipt at the time of delivery.
- Open and inspect any items that look suspicious or raise concern, even if the carrier tells you it is not allowed.
- Refuse only the damaged items and keep the other items on the order.
- When in doubt, sign the delivery receipt as damaged.

The only way to hold the carrier liable is to sign the delivery as damaged.

ADDITIONAL FEES

Additional carrier-related services and fees over and above standard freight costs are not covered. Such services and fees will be invoiced at the time of order or after the order has shipped. Examples of additional fees include the following:

Lift gate.....	\$55
Inside delivery.....	\$100 per pallet/piece
Residential delivery.....	\$100
Limited access site.....	\$100
Expedited delivery.....	Difference from standard rate
Special delivery time.....	Carrier rate
Storage.....	Carrier rate
Re-delivery.....	Carrier rate
Re-assignment.....	Carrier rate
Other additional services not listed....	Carrier rate

QUESTIONS

For questions regarding the Glastender Freight Program, please contact Shipping & Receiving:

Steve Gunn, Shipping & Receiving Supervisor
989.752.4275, ext 141 • sgunn@glastender.com

09/27/19



Table of Contents



Bottle Disintegration System 1 - 2

Glasswashers 3 - 8

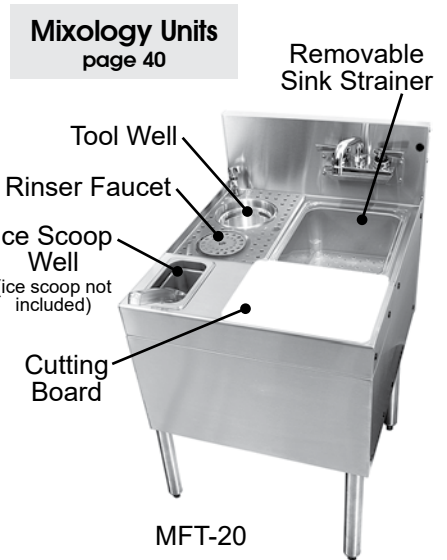
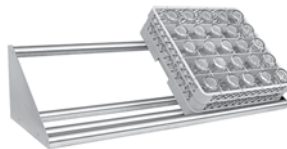
- GW24 Rotary Glasswasher • GWS66 Glass Washing Station
- GT-18 Series Rotary Rack Glasswashers • GT-24 and GT-30 Rotary Glasswashers

Cocktail Stations 9 - 16

- Assembly, Disassembly, and Complete Cocktail Stations



Kitchen Fabrication Products
pages 129 - 143



Bar Fabrication - Main Line and Choice 17 - 74

- Portable Bars • Ice Bins • Soda Gun Holders • Soda Manifold Housing • Bottle Wells and Racks • Speed Rails
- Blender Stations • Drainboards • Cabinets • Sinks • Mixology Units, Stations, Wells and Drink Rails
- Drink Rails • Rinser Faucets • Liquor Steps • Dry Waste Chutes and Rails • Ice Cream Freezers
- Wait Stations • All-In-One Stations • Tubing Chases • Beer Drainers • Modular Bar Die

Bar Refrigeration 75 - 122

- Bar Profile Coolers • Direct Draw Draft Beverage Towers • Low Profile Coolers • Reach-In Frosters
- Slide Top Coolers • Slide Top Mug Frosters • Ice Display Units • Lighted Liquor Displays
- Dry Storage Cabinets • Back Bar Glass Storage • Back Bar Liquor Displays

Beverage Dispensing 123 - 128

- Beer Line Chillers • Draft Beverage Towers

Kitchen Fabrication and Refrigeration 129 - 143

- Kitchen Cabinets • Wall-Mount Sorting Rack • Kitchen Shelves • Kitchen Sinks • Kitchen Stands
- Kitchen Tables • Hand Sinks • Drop-In Units • Undercounter Coolers • Lettuce Crispers
- Countertop Merchandisers • Wall-Mount Refrigerators • Drop-In Ice Cream Freezers
- Mobile Ice Cream Freezers • Mobile Ice Baths • Specialty Ice Bins • Mobile Ice Bins • Wall Cabinets

Terms and Conditions Inside front cover

Warranty Inside back cover

Index 144 - 145

Spec Sheets specs.glastender.com

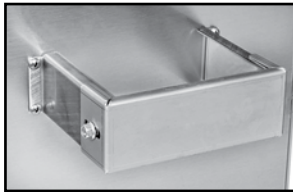
Increase your cash flow by decreasing your trash flow

Glastender's Bottle Disintegration System reduces the volume of glass bottle waste by as much as 85%, lowering your disposal fees and paying for itself over time. The BDS unit is easy to use and crushes a bottle in mere seconds, while being no louder than a standard blender.

Bottle Disintegration

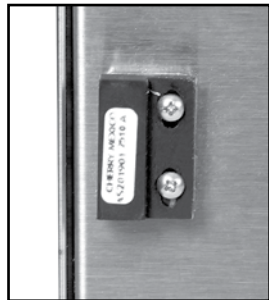


Multi-level baffle system on feed chute for safe operation and glass containment

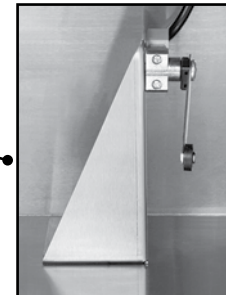


Bucket stop bar ensures bucket is fully seated when door is closed

Includes safety interlock switches



Closed door safety sensor prevents operation when front door is open



Bucket seating safety sensor prevents operation when the bucket is not in place

UP TO
85%
VOLUME
REDUCTION



From this
to this

The 4-gallon bucket weighs approximately 43 pounds and holds approximately 4 cases of disintegrated long neck beer bottles when full

PRODUCT INFORMATION

(see BDS Spec Sheet for complete details)

STANDARD FEATURES:

- Reduces volume of glass bottle waste by as much as 85%
- Disintegrates beer, wine, and liquor bottles up to 4" in diameter and 14" in height
- The 4-gallon bucket holds approximately 43 lbs. when full and is accessible for emptying by opening the front door (two buckets included)
- Compact design fits easily under the bar or in a service station
- It takes mere seconds to crush a bottle and is no louder than a standard blender
- Stainless steel interior and exterior resists corrosion and is easy to keep clean
- Includes safety interlock switches to ensure safe operation. The unit shuts down and a red indicator light is illuminated if the front access door is open or the bucket is not in place.
- Multi-level baffle system on feed chute and gasket seal to maximize glass containment
- Green indicator light identifies when unit is running
- Easy operation - simply turn it on and push a bottle down the feed chute
- Includes locking casters so unit can be easily moved for cleaning



BDS

Bottle Disintegration



BDS

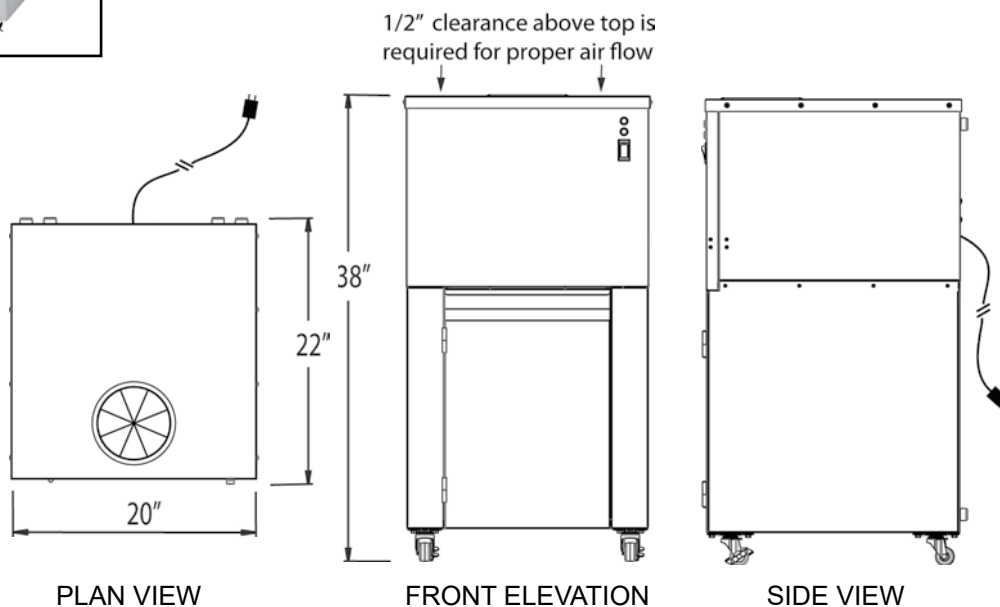
MODEL	LIST	WEIGHT	WIDTH	DEPTH	HEIGHT
BDS	\$5,301	185#	20"	22"	38"

ACCESSORIES

MODEL	DESCRIPTION	LIST	WEIGHT
CE-BDS	Convert to 220V/50Hz or 220V/60Hz electrical	\$495	185#
14000053	Bucket (additional)	\$30	5#



14000053





GW24 shown with chemical bottles (not included)



GW24

STANDARD FEATURES

- Fill and dump style cycle uses less water and energy than traditional rotary glasswashers
- Unit plugs into standard 120V electrical outlet for an easy installation
- Computer controlled fill cycle allows for 75°F (24°C) rinse, providing clean glasses that are cool to the touch
- Specifically designed with a 30" work height to align with adjacent underbar for an attractive installation
- The sliding cover and cold water rinse prevent steam from escaping during and after the cycle
- Unique drainboard top provides integrated glassware landing area
- Exclusive design with side notch provides space for three one-gallon chemical containers within the 24" by 24" foot print
- Conveyor advance switch rotates conveyor one-half turn for easy loading and unloading of glassware
- Covers and drainboard top are easily removable for cleaning access
- Pumped wash and rinse ensures water line pressure variances do not affect wash results
- Pre-programmed de-liming cycle for easy removal of mineral deposits during maintenance (de-liming agent must be added)
- Conveyor and stationary spray box are easily removed for cleaning and visual inspection
- Removable side panels for easy service access
- Automatic peristaltic metering pumps accurately dispense detergent, sanitizer, and rinse aid
- Includes priming switches for easy priming of chemical pumps

PRODUCT INFORMATION

(see GW24 Spec Sheet for complete details)

Electrical

- 120V, single phase, 60Hz, 6-foot grounded cord included
- Dedicated 15 amp circuit recommended
- Power requirements - 3.5 amps

Operation / Capacity

- 120°F (49°C) minimum wash temp and rinse temp adjustable down to 75°F (24°C)
- 2 minute 15 second cycle
- 41 glasses† per cycle
- Maximum glass height 10"

† Based on 2-3/4" diameter bar glasses



GWS66

The GWS66 includes:

- GW24 glasswasher with 01001500 Slide-out Chemical Bottle Rack
- SWB-18-DW wet waste sink cabinet with 03005491 trash receptacle
- DBGR-24-RS drainboard glassrack with roll-out shelves

(see GWS66 Spec Sheet for complete details)

GLASS WASHING STATION

MODEL	LIST	WEIGHT	LENGTH	DEPTH
GWS66	\$15,822	380#	66"	24"

Pricing On Individual Components

See * below for included GWS66 components

24" ROTARY GLASSWASHER

MODEL	LIST	WEIGHT	LENGTH	DEPTH
GW24*	\$10,497	165#	24"	24"

GW24 ACCESSORIES

MODEL	DESCRIPTION	LIST	WGT
01001500*	Slide-out Chemical Bottle Rack	\$547	25#
01001541	Export transformer 220V/50Hz electrical NOTE: Eliminates side notch	\$1,102	30#
CWET-GW	Clip-on wet waste for GW24	\$321	10#
01001601	Rack divider, two-piece assembly	\$192	7#
01001602	Backsplash, clip-on	\$140	5#

18" WET WASTE SINK CABINET W/DRY WASTE CHUTE

MODEL	LIST	WEIGHT	LENGTH	DEPTH
SWB-18-DW*†	\$2,315	85#	18"	24"

†Individual SWB-18-DW purchase does not include 03005491 trash receptacle

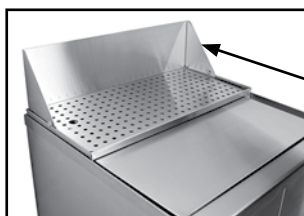
WET WASTE SINK CABINET ACCESSORY

MODEL	DESCRIPTION	LIST	WGT
03005491*	Trash receptacle, 28-1/2 qt, gray plastic	\$55	5#
DWC	Stainless dry waste container	\$389	10#

24" DRAINBOARD GLASSRACK CABINET W/ROLL-OUT SHELVES

MODEL	LIST	WEIGHT	LENGTH	DEPTH
DBGR-24-RS*	\$2,408	95#	24"	24"

⚠ WARNING: The plastic wet waste strainer included with this product can expose you to chemicals including Bisphenol A (BPA), which is known to the State of California to cause birth defects or other reproductive harm. For more information, go to www.P65Warnings.ca.gov. **Warning applies to State of California only.** Part #03000483



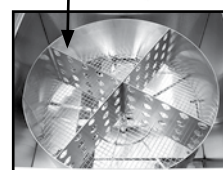
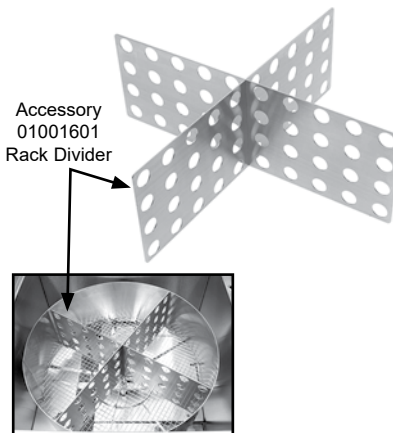
Accessory 01001602 Backsplash



Accessory 01001500 Chemical Bottle Rack



Accessory 01001601 Rack Divider



Accessory 01001541 Export transformer 220V/50Hz electrical



Glasswashers

There are ten different GT-18 models to choose from.

The top of every GT-18 glasswasher is removable. The same base, which houses all the electrical and mechanical components, is used with all of the different top styles. The various tops are used in different situations to increase glasswasher throughput. A suffix is added to the GT-18 model number to specify a top different than the standard door type. The different models are pictured below:



GT-18
Front load door type



GT-18+1
Front-to-back
pass thru



Cocktail server view
with simulated bar
top and bar die



GT-18+1L
Front-to-side pass thru with left side
drain table (GT-18+1R with right side
drain table is also available)



GT-18+2
Side-to-side
pass thru



GT-18+2-IC
Side-to-side corner
pass thru

PRODUCT INFORMATION

(see GT-18, GT-18+1, GT-18+1L or R, GT-18+2, GT-18+2 Ext, GT-18+2-IC, and GT-18 Access Spec Sheets for complete details)

STANDARD FEATURES:

- Drive wheel and glass rack lift out for cleaning
- Two 16" diameter polypropylene racks included
- Spray box unlatches for easy cleaning and visual inspection - 15 spray nozzles have been engineered for maximum soil removal
- Digital temperature gauge built into switch panel
- Intelligent microprocessor control delays cycle start, up to two minutes, when incoming water is below 120°F (49°C)
- Automatic peristaltic metering pumps accurately dispense detergent, sanitizer and rinse aid
- Prime Switch for quick chemical priming
- 1/6 HP pump recirculates wash water and rinse water
- Fractional HP drive motor powers the belt driven rotary rack and includes built-in slip clutch

ELECTRICAL:

- 120V, single phase, 60Hz, 6-foot grounded cord and plug included

CAPACITY:

- 2 minute cycle, 70 second wash and 22 second rinse exposure
- 720 - 2-1/2" diameter or 600 - 2-3/4" diameter glasses per hour (maximum glass height 10" - including pitchers and wine carafes)

EXTENDED GT-18+2 MODELS

Extended GT-18+2 models have the drain table extended on one side of the glasswasher to hold more than one rack. This increases overall glasswasher throughput by allowing multiple racks of glassware to be pre-loaded for washing. The model number specifies the overall glasswasher length and the location of the extended drain table. For example, the GT-18+2-78L (pictured) is 78" long overall and has the left side drain table extended. Extended +2's are available in 78" and 90" overall lengths. The 78" models come with three racks and the 90" models come with four racks. A leg set is included under the extended drain table.



GT-18+2-78L with 01000708 glass rack holder

Glasswashers

ROTARY RACK GLASSWASHERS

MODEL	DESCRIPTION	LIST	WEIGHT	LENGTH	DRAIN TABLE
GT-18	Front load door type	\$9,045	145#	18"	N/A
GT-18+1	Front-to-back pass thru	\$9,748	155#	18"	Back
GT-18+1L	Front-to-side pass thru	\$10,147	175#	36"	Left
GT-18+1R	Front-to-side pass thru	\$10,147	175#	36"	Right
GT-18+2	Side-to-side pass thru	\$10,622	195#	60"	Left & Right

CUSTOM ROTARY RACK GLASSWASHERS*

MODEL	DESCRIPTION	LIST	WEIGHT	LENGTH	DRAIN TABLE
GT-18+2-1C	Side-to-side corner pass thru	\$11,328	245#	42" x 42"	Left & Right
GT-18+2-78L	Side-to-side pass thru, left extended	\$11,220	275#	78"	Left & Right
GT-18+2-78R	Side-to-side pass thru, right extended	\$11,220	275#	78"	Left & Right
GT-18+2-90L	Side-to-side pass thru, left extended	\$11,619	300#	90"	Left & Right
GT-18+2-90R	Side-to-side pass thru, right extended	\$11,619	300#	90"	Left & Right

*NOTE: These units are manufactured to order and are not returnable

ACCESSORIES

MODEL	DESCRIPTION	LIST	WEIGHT
01000532	Glass rack	\$111	2#
01000533	Dish rack	\$212	4#
01000536	Glass rack insert for stemware	\$399	6#
01000710	Clip-on chemical rail	\$301	10#
01000706	Glass rack holder (for GT-18+1 only)	\$382	10#
01000708	Glass rack holder (+2, +1L, or +1R models)	\$771	20#
01000709	Glass rack holder w/shelf (+2, +1L, or +1R models)	\$966	25#
01000557	Export transformer†	\$1,102	20#



01000536 Glass rack insert for stemware



01000533 Dish rack



GT-18 with 01000710 chemical rail

See underbar section for wet waste sinks and drainboards.

†EXPORT TRANSFORMER- The export transformer converts the electrical requirement to 220V, 1 phase, 50Hz.



GT-18+2 with SWA-12 wet waste sink and 01000709 glass rack holder



GT-18+1 with 01000706 glass rack holder



GT-18+2-78L with 01000708 glass rack holder



GT-24-CW



GT-30-CCW

STANDARD FEATURES

- Removable top and front shield for easy cleaning access
- Available with clockwise or counterclockwise rotation
- Conveyor lifts out for easy cleaning
- Set of three separate curtains is included
- Switch panel may be relocated in the field
- Removable side panels for easy service access
- Spray boxes unlatch for easy cleaning - engineered for maximum soil removal
- 4000 watt heater encased in an incoloy sheath to resist caustic detergents
- Digital temperature gauges built into switch panel
- Thermostat controls wash tank temperature
- Automatic electronic peristaltic metering pumps
- 1/6 HP pumps recirculate wash water and rinse water
- Fractional HP drive motor powers the belt driven conveyor and includes built-in slip clutch
- Sensor activated low water cut off in wash tank protects heater
- Automatic chemical sensor alerts operator when detergent and sanitizer is low
- Prime switches provided for high speed chemical priming

PRODUCT INFORMATION

(see GT-24 and GT-30 Spec Sheets for complete details)

ELECTRICAL

- 120/208V or 120/240V, single phase, 60Hz, 3-wire (two hot and one neutral), ground connected per local code (green wire), 20 amp (4 wire total), unit operates within 10% of rated voltage
- Separate 20 amp circuit required [30 amp for 208V]
- A power relay in the unit separates the high and low voltages and directs the respective power to the electrical components. The heater and power light operate on 208 or 240 volts - all other components operate on 120 volts.

DETERGENT

- Extra heavy duty, non-foaming, commercial liquid dishwashing detergent is required - .30% concentration

SANITIZER

- Liquid chlorine bleach (sodium hypochlorite - 5.25% solution) adjusted to 50 ppm or iodophor adjusted to 12.5 ppm

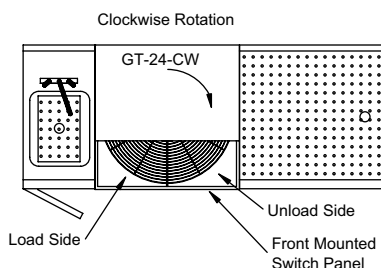
CAPACITY

- 3 minute cycle, 60 second wash and 60 second rinse exposure
- GT-24: 1000 - 2-1/2" diameter or 800 - 2-3/4" diameter glasses per hour
- GT-30: 1440 - 2-1/2" diameter or 1260 - 2-3/4" diameter glasses per hour
- Maximum glass height - 10"

What operational features must be specified?

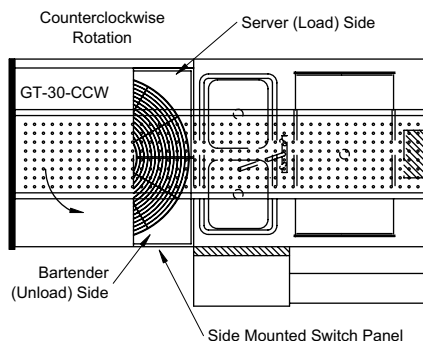
1. SWITCH PANEL LOCATION: The standard switch panel location is on the front unloading side of the glasswasher, because most glasswashers are in an underbar environment (see underbar plan view). In a pass-thru style cocktail station, the switch panel is located on the bartender side of the glasswasher (see pass-thru station plan view). If a side mounted switch panel is required, it must be specified when ordering.

UNDERBAR PLAN VIEW



2. ROTATION: Conveyor rotation can be clockwise or counterclockwise. The rotation selection is based on work flow. In an underbar environment, the wet waste sink should be on the load side of the glasswasher to prevent crossover (see underbar plan view). In a pass-thru style cocktail station, the load side should be toward the servers (see pass-thru station plan view).

PASS THRU STATION PLAN VIEW



3. VOLTAGE: Within the United States, electrical power is available as either 208V or 240V. To ensure that the 4000 watt heater operates at maximum efficiency, Glastender offers either 208V or 240V heaters. The selection of voltage depends on what is supplied to the job site. You may need to consult your electrician.

ROTARY CONVEYOR GLASSWASHERS

MODEL	LIST	WEIGHT	LENGTH	DEPTH	ROTATION	VOLTAGE
GT-24-CW-208	\$13,531	180#	24"	24"	Clockwise	208V
GT-24-CW-240	\$13,531	180#	24"	24"	Clockwise	240V
GT-24-CCW-208	\$13,531	180#	24"	24"	Counterclockwise	208V
GT-24-CCW-240	\$13,531	180#	24"	24"	Counterclockwise	240V
GT-30-CW-208	\$15,137	215#	30"	30"	Clockwise	208V
GT-30-CW-240	\$15,137	215#	30"	30"	Clockwise	240V
GT-30-CCW-208	\$15,137	215#	30"	30"	Counterclockwise	208V
GT-30-CCW-240	\$15,137	215#	30"	30"	Counterclockwise	240V

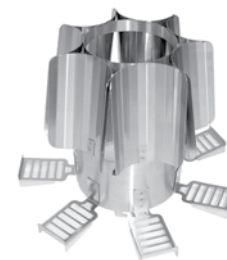
ACCESSORIES

MODEL	DESCRIPTION	LIST	WEIGHT
01000557	Export transformer†	\$1,102	20#
01000828	Mixing valve♦	\$270	1#
CWET-24	Clip-on wet waste for GT-24	\$358	10#
CWET-30	Clip-on wet waste for GT-30	\$394	15#
01000534	Stemware rack for GT-24	\$329	15#
01000535	Stemware rack for GT-30	\$428	15#



CWET-24 shown installed on a GT-24-CW

See underbar section for wet waste sinks and drainboards.



01000534 Stemware Rack for GT-24

†EXPORT TRANSFORMER- The export transformer converts the electrical requirement to 220V, 1 phase, 50Hz.

♦MIXING VALVE- A cold supply line is used to provide water to the rinse tank. If the cold water supply is less than 75°F (24°C), then a mixing valve should be installed. A mixing valve allows hot and cold water supply lines to be mixed to achieve the desired temperature.

TEAMWORK IS THE KEY.

Imagine owning a piece of equipment that turns your conventional station into a profit-maker. Glastender Cocktail Stations let bartenders and cocktail servers share the work. Teamwork is the key to increasing bartender output and your bottom line.

Cocktail Stations



AN OPERATIONAL APPROACH TO EQUIPMENT DESIGN

Glastender products are designed to eliminate wasted steps and save time at every stage of the Cocktail Life Cycle. Saving time allows you to prepare and serve more drinks per hour - and more drinks served means more drinks sold.

The three styles of pass-thru cocktail stations offered are based on the Cocktail Life Cycle: assembly, disassembly, and complete.

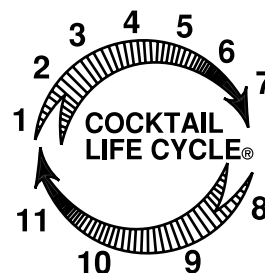
1. Assembly: A pass-thru ice bin for making drinks.
2. Disassembly: An automatic glasswasher for handling soiled glassware.
3. Complete: A pass-thru ice bin and automatic glasswasher for making drinks and handling soiled glassware.

ASSEMBLY PROCESS

- | | |
|-----------------------------|-------------------------|
| 1. Secure Clean Glass | 5. Record the Sale |
| 2. Ice Clean Glass | 6. Garnish the Cocktail |
| 3. Add Liquor Ingredient(s) | 7. Serve the Cocktail |
| 4. Add Mix Ingredient(s) | |

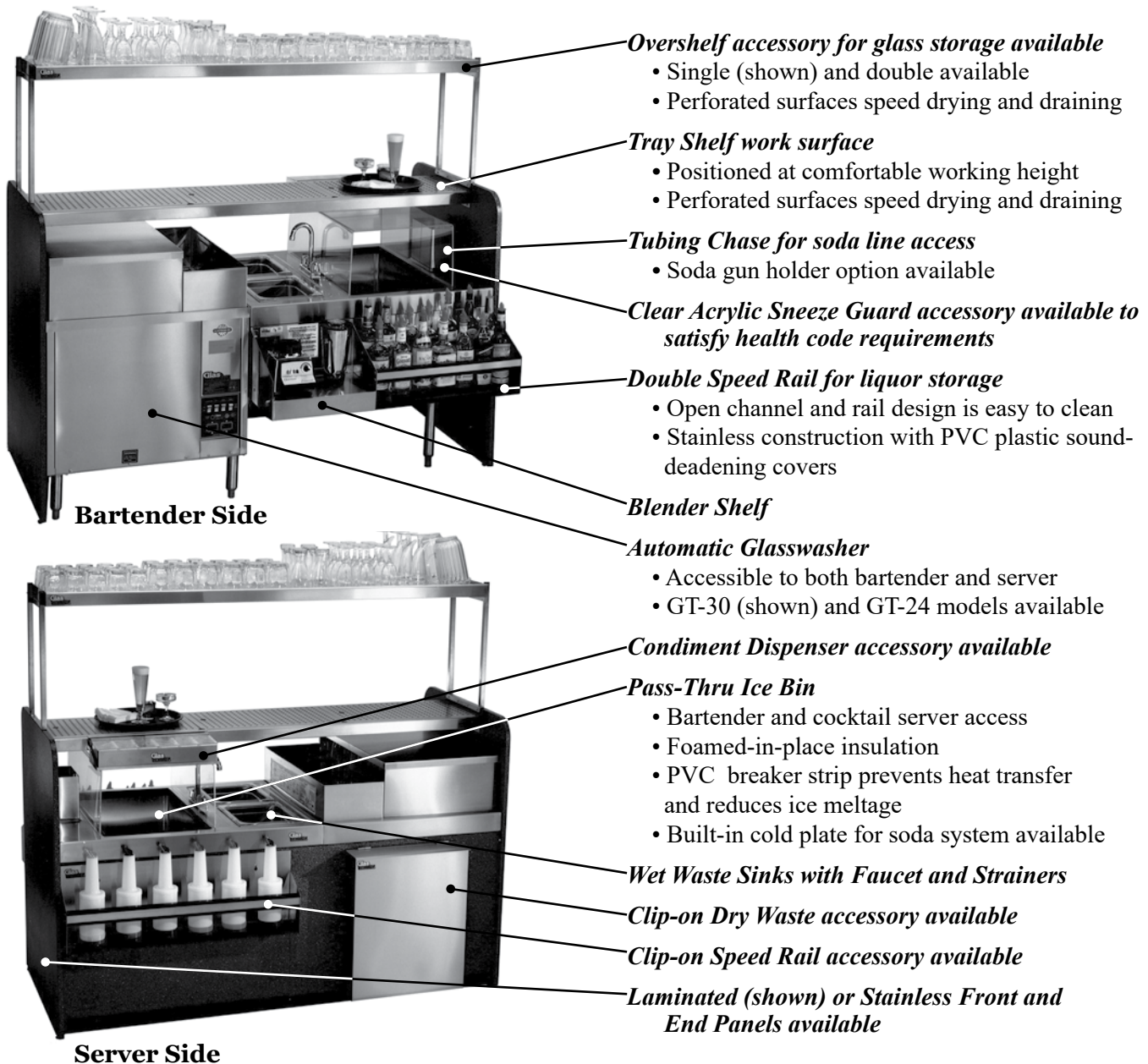
DISASSEMBLY PROCESS

8. Return Soiled Glass
9. Dispose Dry Waste
10. Dispose Wet Waste
11. Wash Soiled Glass



PROMOTE TEAM WORK, INCREASE EFFICIENCY.

Glastender manufactures a large variety of pass-thru cocktail stations which are listed in the following pages. Many of the typical features are detailed below in this one example.



Cocktail Stations

CS-72-CCW with optional SOS/SS-72 single overshelf and SG-30 sneeze guard

What is an orientation or rotation specification?

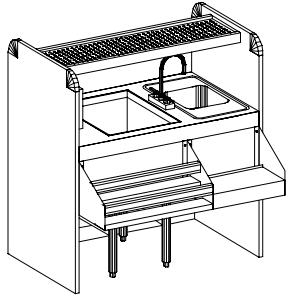
All Cocktail Stations have an orientation or rotation that determines the work flow. The orientation is dictated by the position of the glasswasher within the station. Even though assembly style Cocktail Stations do not have a glasswasher, their orientation is based on the complete Cocktail Stations from which they are derived.

The orientation and work flow are determined as follows:

Counterclockwise: The glasswasher is positioned to the bartender's left. The work flow is right to left.

Clockwise: The glasswasher is positioned to the bartender's right. The work flow is left to right.

All faucets are certified low lead compliant

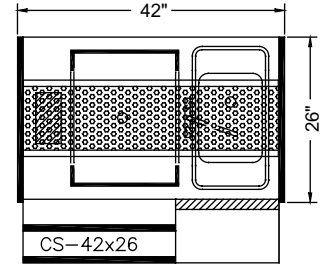


CS-42x26-CW

CS-42x26

(see CS-42x26 Spec Sheet for complete details)

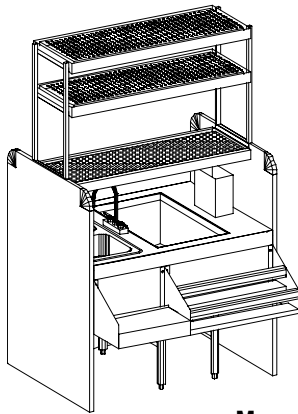
The CS-42x26 pass-thru assembly cocktail station includes the following standard features: pass-thru ice bin, tubing chase, wet waste sink with gooseneck faucet and strainer, blender shelf, double speed rail, 12" wide stainless steel draining tray shelf, and laminated or stainless steel front and end panels.



CS-42x26-CW
(plan view)

MODEL	LIST	WEIGHT	ROTATION	FINISH PANELS
CS-42x26-CW	\$7,769	315#	Clockwise	Included
CS-42x26-CCW	\$7,769	315#	Counterclockwise	Included

Cocktail Stations

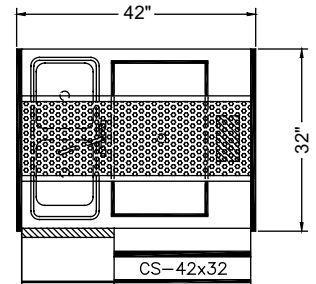


CS-42x32-CCW
with optional double
overshelf

CS-42x32

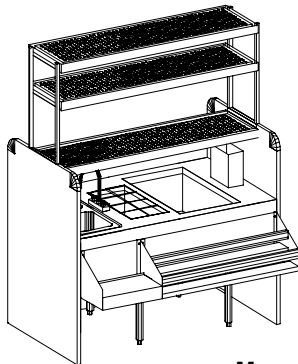
(see CS-42x32 Spec Sheet for complete details)

The CS-42x32 pass-thru assembly cocktail station includes the following standard features: pass-thru ice bin, tubing chase, two wet waste sinks with gooseneck faucet and strainers, blender shelf, double speed rail, 15" wide stainless steel draining tray shelf, and laminated or stainless steel front and end panels.



CS-42x32-CCW
(plan view)

MODEL	LIST	WEIGHT	ROTATION	FINISH PANELS
CS-42x32-CW	\$8,425	345#	Clockwise	Included
CS-42x32-CCW	\$8,425	345#	Counterclockwise	Included

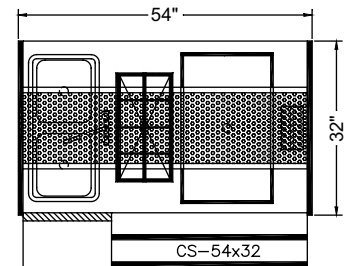


CS-54x32-CCW
with optional
double overshelf

CS-54x32

(see CS-54x32 Spec Sheet for complete details)

The CS-54x32 pass-thru assembly cocktail station includes the following standard features: pass-thru ice bin, tubing chase, eight bottle insulated storage well, two wet waste sinks with gooseneck faucet and strainers, blender shelf, double speed rail, 15" wide stainless steel draining tray shelf, and laminated or stainless steel front and end panels.

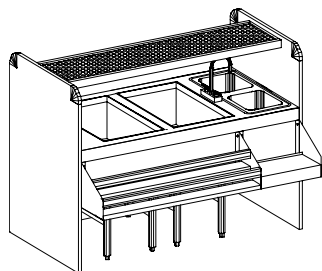


CS-54x32-CCW
(plan view)

MODEL	LIST	WEIGHT	ROTATION	FINISH PANELS
CS-54x32-CW	\$10,512	395#	Clockwise	Included
CS-54x32-CCW	\$10,512	395#	Counterclockwise	Included

*NOTE: Cocktail Stations are manufactured to order and are not returnable

WARNING: The plastic wet waste strainer included with this product can expose you to chemicals including Bisphenol A (BPA), which is known to the State of California to cause birth defects or other reproductive harm. For more information, go to www.P65Warnings.ca.gov. **Part #03000483**
Warning applies to State of California only.

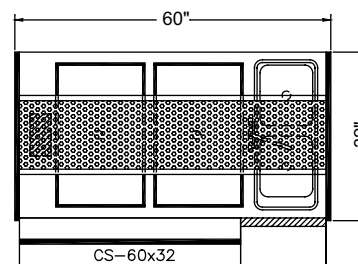


CS-60x32-CW

CS-60x32

(see CS-60x32 Spec Sheet for complete details)

The CS-60x32 pass-thru assembly cocktail station includes the following standard features: two pass-thru ice bins, tubing chase, two wet waste sinks with gooseneck faucet and strainers, blender shelf, double speed rail, 15" wide stainless steel draining tray shelf, and laminated or stainless steel front and end panels.



CS-60x32-CW
(plan view)

MODEL	LIST	WEIGHT	ROTATION	FINISH PANELS
CS-60x32-CW	\$10,812	435#	Clockwise	Included
CS-60x32-CCW	\$10,812	435#	Counterclockwise	Included

ACCESSORIES

MODEL	DESCRIPTION	LIST	WEIGHT	CS-42x26	CS-42x32	CS-54x32	CS-60x32
COLD PLATES (Built in to pass thru ice bin liner at factory)							
02000624	Ten-circuit cold plate, for 26" deep stations	\$1,763	115#	x			
02000626	Ten-circuit cold plate, for 32" deep stations	\$1,763	120#		x	x	x
OVERSHELVES (Mounts to end panels of station - brackets included)							
SOS/SS-42	42" stainless steel single overshelf	\$869	53#	x	x		
SOS/SS-54	54" stainless steel single overshelf	\$1,067	68#			x	
SOS/SS-60	60" stainless steel single overshelf	\$1,167	75#				x
DOS/SS-42	42" stainless steel double overshelf	\$1,631	98#	x	x		
DOS/SS-54	54" stainless steel double overshelf	\$2,030	126#			x	
DOS/SS-60	60" stainless steel double overshelf	\$2,229	140#				x
ICE BIN DIVIDERS							
IBD-H-CS26	Ice bin divider, half, for 26" deep station	\$116	4#	x	x	x	x
IBD-H-CS32	Ice bin divider, half, for 32" deep station	\$124	4#	x	x	x	x
CLIP-ON CONDIMENT DISPENSER (Clips to tray shelf on bartender or server side)							
CCD/T	Condiment dispenser, clip-on to tray shelf	\$189	4#	x	x	x	x
SNEEZE GUARD							
03000508	Sneeze guard for 26" deep stations	\$200	15#	x			
03000509	Sneeze guard for 32" deep stations	\$210	15#		x	x	x
CLIP-ON DRY WASTE RECEPTACLE (Clips to front panel on cocktail server side of station)							
CDRY	Clip-on dry waste (stainless steel)	\$580	30#	x	x	x	x



CDRY
(Shown with cocktail station)



CCD/T
(Shown clipped to tray shelf)



03000509
(Shown with cocktail station)



IBD-H-CS26

*NOTE: Cocktail Stations are manufactured to order and are not returnable

WARNING: The plastic wet waste strainer included with this product can expose you to chemicals including Bisphenol A (BPA), which is known to the State of California to cause birth defects or other reproductive harm. For more information, go to www.P65Warnings.ca.gov. **Warning applies to State of California only.** Part #03000483

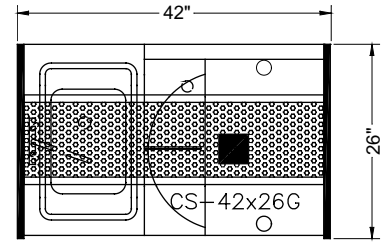
All faucets are certified low lead compliant

CS-42x26G

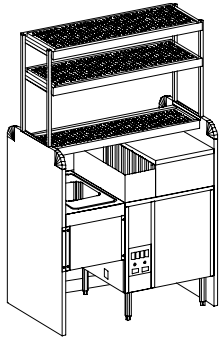
(see CS-42x26G Spec Sheet for complete details)

The CS-42x26G pass-thru disassembly cocktail station includes the following standard features: GT-24* automatic conveyor glasswasher, wet waste sink with gooseneck faucet and strainer, 12" wide stainless steel draining tray shelf, and laminated or stainless steel front and end panels.

- ♦ The GT-24 glasswasher voltage must be specified as either 208V or 240V when ordering (see page 8 for complete explanation).



CS-42x26G-CW
(plan view)



CS-42x26G-CW
with optional double overshelf

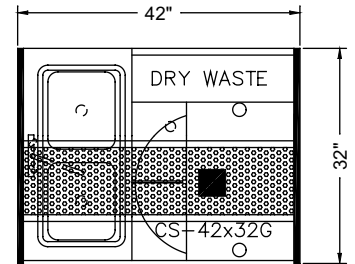
MODEL	LIST	WEIGHT	ROTATION	FINISH PANELS
CS-42x26G-CW	\$18,714	500#	Clockwise	Included
CS-42x26G-CCW	\$18,714	500#	Counterclockwise	Included

CS-42x32G

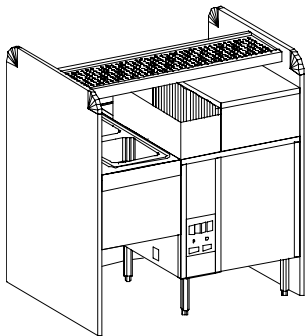
(see CS-42x32G Spec Sheet for complete details)

The CS-42x32G pass-thru disassembly cocktail station includes the following standard features: GT-24* automatic conveyor glasswasher, stainless steel removable dry waste receptacle, two wet waste sinks with gooseneck faucet and strainers, 12" wide stainless steel draining tray shelf, and laminated or stainless steel front and end panels.

- ♦ The GT-24 glasswasher voltage must be specified as either 208V or 240V when ordering (see page 8 for complete explanation).



CS-42x32G-CW
(plan view)



CS-42x32G-CW

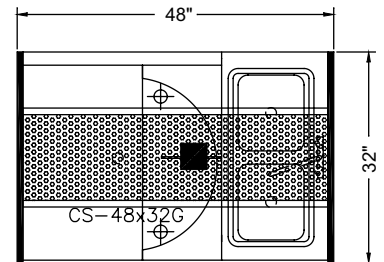
MODEL	LIST	WEIGHT	ROTATION	FINISH PANELS
CS-42x32G-CW	\$19,704	540#	Clockwise	Included
CS-42x32G-CCW	\$19,704	540#	Counterclockwise	Included

CS-48x32G

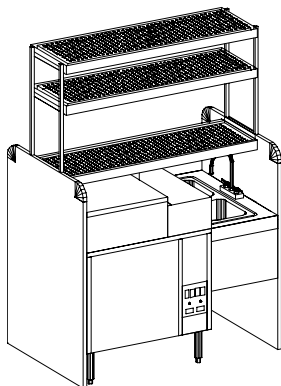
(see CS-48x32G Spec Sheet for complete details)

The CS-48x32G pass-thru disassembly cocktail station includes the following standard features: GT-30* automatic conveyor glasswasher, two wet waste sinks with gooseneck faucet and strainers, 15" wide stainless steel draining tray shelf, and laminated or stainless steel front and end panels.

- ♦ The GT-30 glasswasher voltage must be specified as either 208V or 240V when ordering (see page 8 for complete explanation).



CS-48x32G-CCW
(plan view)



CS-48x32G-CCW
with optional double overshelf

MODEL	LIST	WEIGHT	ROTATION	FINISH PANELS
CS-48x32G-CW	\$20,923	540#	Clockwise	Included
CS-48x32G-CCW	\$20,923	540#	Counterclockwise	Included

* NOTE: Cocktail Stations are manufactured to order and are not returnable

WARNING: The plastic wet waste strainer included with this product can expose you to chemicals including Bisphenol A (BPA), which is known to the State of California to cause birth defects or other reproductive harm. For more information, go to www.P65Warnings.ca.gov. **Warning applies to State of California only.** Part #03000483

ACCESSORIES		LIST	WEIGHT	CS-42x26G	CS-42x32G	CS-48x32G
MODEL	DESCRIPTION					
OVERSHELVES (Mounts to end panels of station - brackets included)						
SOS/SS-42	42" stainless steel single overshelf	\$869	53#	x	x	
SOS/SS-48	48" stainless steel single overshelf	\$968	60#			x
DOS/SS-42	42" stainless steel double overshelf	\$1,631	98#	x	x	
DOS/SS-48	48" stainless steel double overshelf	\$1,831	112#			x
CLIP-ON SINGLE AND DOUBLE SPEED RAIL (Clips to glasswasher on the bartender side of station)						
CSR-16	16" clip-on single speed rail	\$211	5#	x	x	
CSR-22	22" clip-on single speed rail	\$228	6#			x
CDSR-16	16" clip-on double speed rail	\$381	10#	x	x	
CDSR-22	22" clip-on double speed rail	\$439	12#			x
CLIP-ON DRY WASTE RECEPTACLE (Clips to front panel on cocktail server side of station)						
CDRY	Clip-on dry waste (stainless steel)	\$580	30#	x	x	x
SPEED RAILS AND BOLT-ON BLENDER SHELVES (Mounts to sink section on bartender side of station)						
SSR-16	16" single speed rail	\$183	4#	x	x	x
DSR-16	16" double speed rail	\$361	8#	x	x	x
BBS-16	16" bolt-on blender shelf	\$252	16#	x	x	x



DSR-16
(Shown mounted to sink section)



BBS-16
(Shown mounted to sink section)

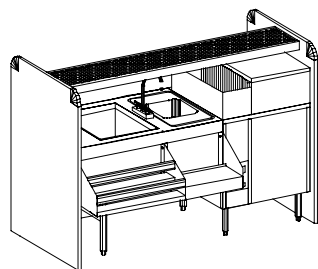


CSR-16
(Shown clipped to glasswasher)

Cocktail Stations

CS-66x26

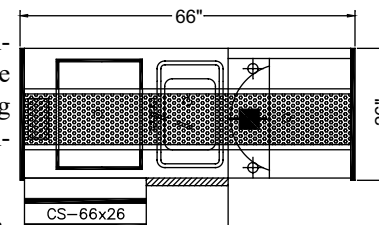
(see CS-66x26 Spec Sheet for complete details)



CS-66x26-CW

The CS-66x26 pass-thru cocktail station includes the following standard features: GT-24* automatic conveyor glasswasher, wet waste sink with gooseneck faucet and strainer, pass thru ice bin, tubing chase, blender shelf, double speed rail, 12" wide stainless steel draining tray shelf, and laminated or stainless steel front and end panels.

◆ The GT-24 glasswasher voltage must be specified as either 208V or 240V when ordering (see page 8 for complete explanation).



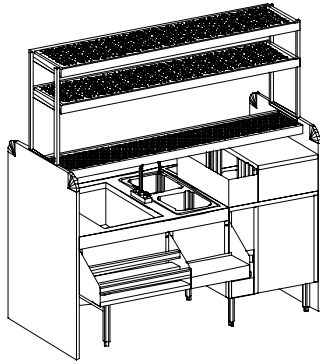
CS-66x26-CW
(plan view)

MODEL	LIST	WEIGHT	ROTATION	FINISH PANELS
CS-66x26-CW	\$22,083	550#	Clockwise	Included
CS-66x26-CCW	\$22,083	550#	Counterclockwise	Included

*NOTE: Cocktail Stations are manufactured to order and are not returnable

WARNING: The plastic wet waste strainer included with this product can expose you to chemicals including Bisphenol A (BPA), which is known to the State of California to cause birth defects or other reproductive harm. For more information, go to www.P65Warnings.ca.gov. **Warning applies to State of California only.** Part #03000483

All faucets are certified low lead compliant



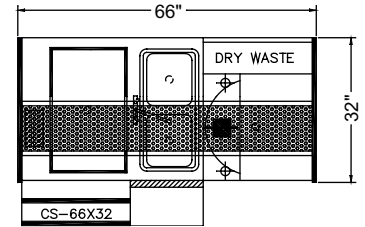
CS-66x32-CW
with optional double overshelf

CS-66x32

(see CS-66x32 Spec Sheet for complete details)

The CS-66x32 pass-thru cocktail station includes the following standard features: GT-24* automatic conveyor glasswasher, stainless steel removable dry waste receptacle, two wet waste sinks with gooseneck faucet and strainers, pass-thru ice bin, tubing chase, blender shelf, double speed rail, 12" wide stainless steel draining tray shelf, and laminated or stainless steel front and end panels.

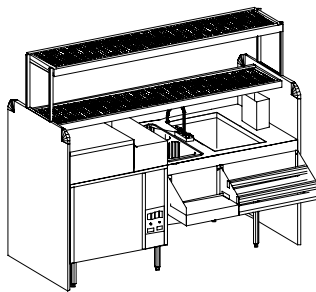
♦ The GT-24 glasswasher voltage must be specified as either 208V or 240V when ordering (see page 8 for complete explanation).



CS-66x32-CW
(plan view)

MODEL	LIST	WEIGHT	ROTATION	FINISH PANELS
CS-66x32-CW	\$23,239	600#	Clockwise	Included
CS-66x32-CCW	\$23,239	600#	Counterclockwise	Included

Cocktail Stations



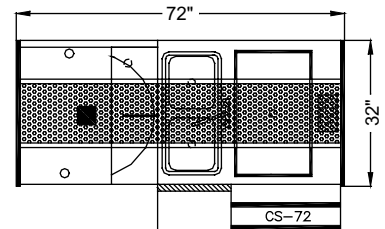
CS-72-CCW
with optional single overshelf

CS-72

(see CS-72 Spec Sheet for complete details)

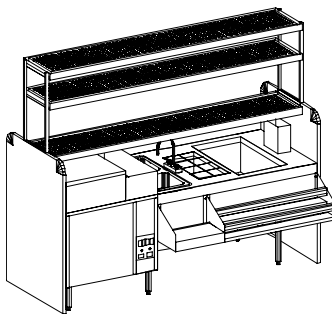
The CS-72 pass-thru cocktail station includes the following standard features: GT-30* automatic conveyor glasswasher, two wet waste sinks with gooseneck faucet and strainers, pass-thru ice bin, tubing chase, blender shelf, double speed rail, 15" wide stainless steel draining tray shelf, and laminated or stainless steel front and end panels.

♦ The GT-30 glasswasher voltage must be specified as either 208V or 240V when ordering (see page 8 for complete explanation).



CS-72-CCW
(plan view)

MODEL	LIST	WEIGHT	ROTATION	FINISH PANELS
CS-72-CW	\$24,476	700#	Clockwise	Included
CS-72-CCW	\$24,476	700#	Counterclockwise	Included



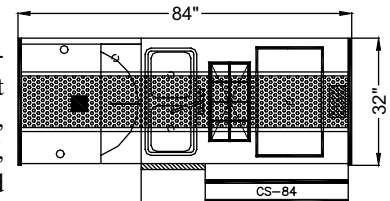
CS-84-CCW with optional
double overshelf

CS-84

(see CS-84 Spec Sheet for complete details)

The CS-84 pass-thru cocktail station includes the following standard features: GT-30* automatic conveyor glasswasher, two wet waste sinks with gooseneck faucet and strainers, pass-thru ice bin, tubing chase, eight bottle insulated storage well, blender shelf, double speed rail, 15" wide stainless steel draining tray shelf, and laminated or stainless steel front and end panels.

♦ The GT-30 glasswasher voltage must be specified as either 208V or 240V when ordering (see page 8 for complete explanation).



CS-84-CCW
(plan view)

MODEL	LIST	WEIGHT	ROTATION	FINISH PANELS
CS-84-CW	\$26,672	750#	Clockwise	Included
CS-84-CCW	\$26,672	750#	Counterclockwise	Included

* NOTE: Cocktail Stations are manufactured to order and are not returnable

WARNING: The plastic wet waste strainer included with this product can expose you to chemicals including Bisphenol A (BPA), which is known to the State of California to cause birth defects or other reproductive harm. For more information, go to www.P65Warnings.ca.gov.
Warning applies to State of California only. Part #03000483

ACCESSORIES

MODEL	DESCRIPTION	LIST	WEIGHT	CS-66x26	CS-66x32	CS-72	CS-84
COLD PLATES (Built in to pass-thru ice bin liner at factory)							
02000624	Ten-circuit cold plate, for 26" deep stations	\$1,763	115#	x			
02000626	Ten-circuit cold plate, for 32" deep stations	\$1,763	120#		x	x	x
OVERSHELVES (Mounts to end panels of station - brackets included)							
SOS/SS-66	66" stainless steel single overshelf	\$1,267	83#	x	x		
SOS/SS-72	72" stainless steel single overshelf	\$1,365	90#			x	
SOS/SS-84	84" stainless steel single overshelf	\$1,566	105#				x
DOS/SS-66	66" stainless steel double overshelf	\$2,427	154#	x	x		
DOS/SS-72	72" stainless steel double overshelf	\$2,627	168#			x	
DOS/SS-84	84" stainless steel double overshelf	\$3,025	196#				x
ICE BIN DIVIDERS							
IBD-H-CS26	Ice bin divider, half, for 26" deep station	\$116	4#	x			
IBD-H-CS32	Ice bin divider, half, for 32" deep station	\$124	4#		x	x	x
CLIP-ON CONDIMENT DISPENSER (Clips to tray shelf on bartender or server side)							
CCD/T	Condiment dispenser, clip-on to tray shelf	\$189	4#	x	x	x	x
SNEEZE GUARD							
03000508	Sneeze guard for 26" deep stations	\$200	15#	x			
03000509	Sneeze guard for 32" deep stations	\$210	15#		x	x	x
CLIP-ON SINGLE AND DOUBLE SPEED RAILS (Clips on to glasswasher on bartender side)							
CSR-16	16" Clip-on single speed rail	\$211	5#	x	x		
CSR-22	22" Clip-on single speed rail	\$228	6#			x	x
CDSR-16	16" Clip-on double speed rail	\$381	10#	x	x		
CDSR-22	22" Clip-on double speed rail	\$439	12#			x	x
CLIP-ON DRY WASTE RECEPTACLE (Clips to front panel on cocktail server side of station)							
CDRY	Clip-on dry waste (stainless steel)	\$580	30#	x	x	x	x



Cocktail Stations

LAMINATED PANELS

MODEL	DESCRIPTION	LIST	WT
EP-24	26" deep station end panel	\$960	40#
EP-30	32" deep station end panel	\$960	45#
FP-26	54" station front panel (2 required)	\$600	18#
FP-29	60" station front panel (2 required)	\$600	19#
FP-32	66" station front panel (2 required)	\$600	20#
FP-35	72" station front panel (2 required)	\$600	23#
FP-40	42" station front panel	\$762	25#
FP-41	84" station front panel (2 required)	\$762	26#
FP-46	48" station front panel	\$762	32#

STAINLESS STEEL PANELS

MODEL	DESCRIPTION	LIST	WT
EP-24-SS	26" deep station end panel	\$744	45#
EP-30-SS	32" deep station end panel	\$852	50#
FP-26-SS	54" station front panel (2 required)	\$506	21#
FP-29-SS	60" station front panel (2 required)	\$541	22#
FP-32-SS	66" station front panel (2 required)	\$575	23#
FP-35-SS	72" station front panel (2 required)	\$606	26#
FP-40-SS	42" station front panel	\$661	28#
FP-41-SS	84" station front panel (2 required)	\$670	29#
FP-46-SS	48" station front panel	\$725	35#

TRAY SHELVES

MODEL	DESCRIPTION
TSC- ♦	12" wide tray shelf \$365 list for first 12". Add \$191 list for each additional 12". Weight 10# per foot.
TSD- ♦	15" wide tray shelf \$371 list for first 12". Add \$198 list for each additional 12". Weight 12# per foot.
TS-20X- ♦	20" wide tray shelf \$385 list for first 12". Add \$215 list for each additional 12". Weight 15# per foot.

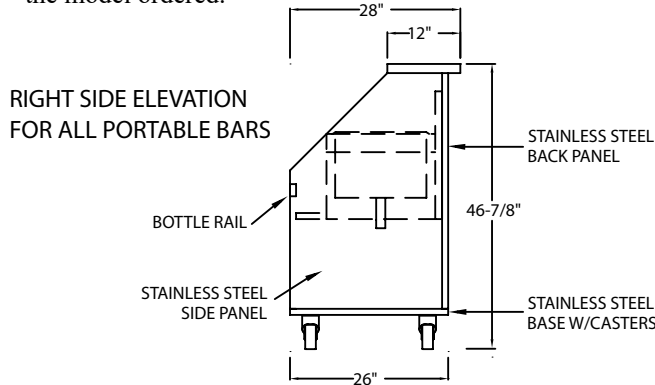
♦ Specify length in inches

*NOTE: Cocktail Stations are manufactured to order and are not returnable



PBC48-12

Portable bars for stackable cups come with a cup storage well for three rows up to 4-1/4" in diameter, as well as a cocktail ice bin and an iced beverage storage bin. The size of the cocktail bin and beverage storage bin vary depending on the model ordered.



PBG72-12

Portable bars for glassware come with a glass storage work surface area consisting of a pan with perforated insert and rack slides for storing three 20"x20" glass racks below. They also include a cocktail ice bin and an iced beverage storage bin, the sizes of which vary depending on the model ordered.

*NOTE: Portable bars are made to order and are not returnable.

PORTABLE BAR FOR STACKABLE CUPS

MODEL	LIST	COCKTAIL ICE BIN	BEVERAGE BIN	WT	OVERALL LENGTH
PBC48-12	\$7,650	12"	24"	275#	48"
PBC48-18	\$7,710	18"	18"	275#	48"
PBC54-12	\$8,130	12"	30"	300#	54"
PBC54-18	\$8,191	18"	24"	300#	54"
PBC60-12	\$8,624	12"	36"	325#	60"
PBC60-18	\$8,673	18"	30"	325#	60"

PRODUCT INFORMATION

(see PBC, PBCR, PBG, and PBGR Spec Sheets for complete details)

STANDARD FEATURES:

- Weather resistant stainless steel construction
- Stainless steel bottle rail with PVC plastic sound deadening cover. Rail includes clear snap-on liquor identification label cover.
- PBC and PBCR - Cup storage well for three rows up to 4-1/4" in diameter
- PBG and PBGR - Glass storage pan with perforated insert and storage for three glass racks below
- Cocktail ice bin with sliding cover and condiment cup area. Rear condiment area has hinged stainless steel sanitary cover with three (12") or four (18") cups.
- Iced beverage storage bin with separate drain to prevent contamination of ice used to make cocktails. Drain includes flexible hose and on/off valve for draining when convenient.
- Foamed-in-place insulation and an PVC plastic breaker strip around ice bin liners to prevent thermal transfer from outside the ice bin so ice lasts longer
- 6-gallon plastic drain tank with on-off valve to collect melting ice water from cocktail bin
- 4" heavy-duty rubberized casters. The two bartender side corner casters are locking.
- Stainless steel front and side panels are welded to the 16-gauge stainless steel base for incredible durability
- Stainless steel bar top and front and side panels have a plastic honeycomb core for durability and sound deadening
- Stylish feathered jewel finish on bar top hides scratches

PORTABLE BAR FOR GLASSWARE

MODEL	LIST	COCKTAIL ICE BIN	BEVERAGE BIN	WT	OVERALL LENGTH
PBG66-12	\$9,420	12"	24"	355#	66"
PBG66-18	\$9,479	18"	18"	355#	66"
PBG72-12	\$9,916	12"	30"	380#	72"
PBG72-18	\$9,976	18"	24"	380#	72"
PBG78-12	\$10,411	12"	36"	405#	78"
PBG78-18	\$10,472	18"	30"	405#	78"

PORTABLE BAR FOR STACKABLE CUPS WITH SPACE FOR REFRIGERATOR

<u>MODEL</u>	<u>LIST</u>	<u>COCKTAIL ICE BIN</u>	<u>BEVERAGE BIN</u>	<u>WT</u>	<u>OVERALL LENGTH</u>
PBCR72-12	\$9,469	12"	12"	340#	72"
PBCR78-12	\$9,954	12"	18"	365#	78"
PBCR78-18	\$10,014	18"	12"	365#	78"
PBCR84-12	\$10,449	12"	24"	390#	84"
PBCR84-18	\$10,507	18"	18"	390#	84"
PBCR90-12	\$10,931	12"	30"	415#	90"
PBCR90-18	\$10,990	18"	24"	415#	90"
PBCR96-12	\$11,411	12"	36"	440#	96"
PBCR96-18	\$11,471	18"	30"	440#	96"

Portable bars for stackable cups with space for a refrigerator share the same features as the other stackable cups models, except they also include a 36" w by 25" d by 38-3/4" h space for an on-board refrigerator. The refrigerator must be ordered separately. A Glastender model C1FB36 (page 75) or ST36 (Page 113) is recommended. If a non-Glastender refrigerator is being used, verify the power cord can exit the front of the 36" opening.



PBCR96-18



PBCR72-12

PORTABLE BAR FOR GLASSWARE WITH SPACE FOR REFRIGERATOR

<u>MODEL</u>	<u>LIST</u>	<u>COCKTAIL ICE BIN</u>	<u>BEVERAGE BIN</u>	<u>WT</u>	<u>OVERALL LENGTH</u>
PBGR90-12	\$11,024	12"	12"	415#	90"
PBGR96-12	\$11,519	12"	18"	440#	96"
PBGR96-18	\$11,578	18"	12"	440#	96"

Portable bars for glassware with space for a refrigerator share the same features as the other glassware models, except they also include a 36" w by 25" d by 38-3/4" h space for an on-board refrigerator. The refrigerator must be ordered separately. A Glastender model C1FB36 (page 75) or ST36 (Page 113) is recommended. If a non-Glastender refrigerator is being used, verify the power cord can exit the front of the 36" opening.

*NOTE: Portable bars are made to order and are not returnable.

Portable Bars Graphic Wraps



We can apply a wrap to your portable bar with any image.

Pricing assumes camera-ready artwork provided by customer.

GRAPHIC WRAPS FOR PORTABLE BARS

<u>MODEL</u>	<u>DESCRIPTION</u>	<u>LIST</u>
GWP48	Wrap for 48" w unit	\$2,170
GWP54	Wrap for 54" w unit	\$2,264
GWP60	Wrap for 60" w unit	\$2,353
GWP66	Wrap for 66" w unit	\$2,441
GWP72	Wrap for 72" w unit	\$2,514
GWP78	Wrap for 78" w unit	\$2,617
GWP84	Wrap for 84" w unit	\$2,706
GWP90	Wrap for 90" w unit	\$2,794
GWP96	Wrap for 96" w unit	\$2,944

Bar Fabrication - Main Line



IBA-24-CP10

PRODUCT INFORMATION

(see IB and IB-ED Spec Sheets for complete details)

STANDARD FEATURES

- One-piece, seamless top and backsplash
- PVC plastic breaker strip around ice bin liner: creates 5/16" raised edge around liner (NSF® requirement is 3/16"), acts as a thermal barrier to prevent heat transfer, and makes the covers slide easier
- Tubing chase available centered in backsplash of 12" and larger models. Specify accessory model #TC-BS.
- 24" deep version provides a larger ice bin, not just a deck extension on the back of 19" deep model
- Sliding stainless steel cover
- Foamed-in-place insulation
- Models without cold plates have a 1-1/2" welded tailpiece - no drain fitting to break or come loose
- 10-1/2" deep liner (Extra deep models have a 14-1/2" deep liner)
- Adjustable stainless steel bullet feet

What is a cold plate?

A cold plate is an aluminum block with stainless steel lines or circuits molded within. Glastender ice bins can be manufactured with a ten-circuit cold plate built into the bottom liner. Soda lines are attached by the soda vendor to the input and output lines of the cold plate and the soda water and syrup is chilled as it passes through these lines. Please consult your soda vendor to determine if cold plates are required in your ice bins.

19" DEEP ICE BINS*

MODEL	LIST	LENGTH	WEIGHT	ICE CAPACITY
IBA-6†	\$900	6"	40#	17#
IBA-12	\$1,274	12"	50#	33#
IBA-18	\$1,439	18"	60#	50#
IBA-24	\$1,606	24"	70#	67#
IBA-30	\$1,774	30"	80#	84#
IBA-36	\$1,966	36"	90#	100#
IBA-42	\$2,138	42"	100#	117#
IBA-48	\$2,308	48"	110#	134#

19" DEEP EXTRA DEEP ICE BINS*

IBA-18-ED	\$1,628	18"	75#	69#
IBA-24-ED	\$1,814	24"	80#	92#
IBA-30-ED	\$2,002	30"	90#	116#
IBA-36-ED	\$2,211	36"	100#	139#
IBA-42-ED	\$2,401	42"	110#	162#
IBA-48-ED	\$2,590	48"	125#	185#

WITH 10-CIRCUIT COLD PLATE

IBA-24-CP10	\$2,848	24"	130#	67#
IBA-30-CP10	\$3,066	30"	145#	84#
IBA-36-CP10	\$3,354	36"	160#	100#
IBA-42-CP10	\$3,793	42"	170#	117#
IBA-48-CP10	\$3,963	48"	180#	134#

19" EXTRA DEEP ICE BINS WITH 10-CIRCUIT COLD PLATE*

IBA-24-CP10-ED	\$3,183	24"	140#	92#
IBA-30-CP10-ED	\$3,428	30"	155#	116#
IBA-36-CP10-ED	\$3,786	36"	170#	139#
IBA-42-CP10-ED	\$4,218	42"	180#	162#
IBA-48-CP10-ED	\$4,426	48"	190#	185#

† Not free standing

24" DEEP ICE BINS*

MODEL	LIST	LENGTH	WEIGHT	ICE CAPACITY
IBB-6†	\$975	6"	45#	21#
IBB-12	\$1,377	12"	55#	42#
IBB-18	\$1,569	18"	70#	64#
IBB-24	\$1,787	24"	80#	85#
IBB-30	\$1,960	30"	95#	106#
IBB-36	\$2,167	36"	110#	127#
IBB-42	\$2,374	42"	120#	149#
IBB-48	\$2,564	48"	130#	170#

WITH 10-CIRCUIT COLD PLATE*

IBB-24-CP10	\$3,003	24"	145#	85#
IBB-30-CP10	\$3,559	30"	160#	106#
IBB-36-CP10	\$3,790	36"	170#	127#
IBB-42-CP10	\$4,013	42"	185#	149#
IBB-48-CP10	\$4,219	48"	195#	170#

24" EXTRA DEEP ICE BINS WITH 10-CIRCUIT COLD PLATE*

IBB-24-CP10-ED	\$3,294	24"	155#	117#
IBB-30-CP10-ED	\$3,881	30"	170#	147#
IBB-36-CP10-ED	\$4,134	36"	180#	176#
IBB-42-CP10-ED	\$4,383	42"	195#	205#
IBB-48-CP10-ED	\$4,612	48"	205#	235#

† Not free standing

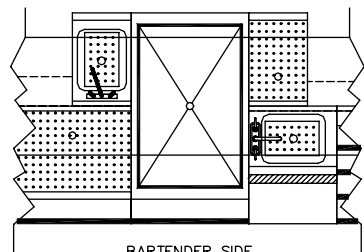
*NOTE: These ice bin models are manufactured to order and are not returnable

PASS-THRU ICE BINS

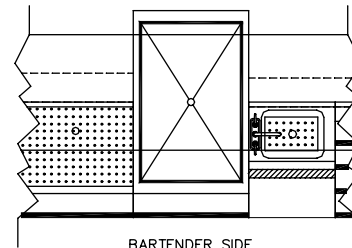
MODEL	LIST	COLD PLATE	WEIGHT	ICE CAPACITY
IB-38X24*	\$2,907	N/A	100#	175#
IB-38X24-CP10	\$4,182	10 circuit	190#	175#

A 24" wide by 38" deep pass-thru ice bin is used to provide the cocktail servers with access to the ice. Pass-thru ice bins have the same features as standard ice bins, except there is no backsplash and the sliding cover is double sided. The bartender side of the ice bin lines up with the underbar equipment the same as a standard ice bin. The 38" deep dimension also allows a pass-thru ice bin to line up with back-to-back mounted underbar equipment (see sample drawings).

*NOTE: This model is manufactured to order and is not returnable



BARTENDER SIDE
Underbar Plan View with Pass-Thru Ice Bin and Back-to-Back Mounted Underbar



BARTENDER SIDE
Underbar Plan View with Pass-Thru Ice Bin

PRODUCT INFORMATION

(see IB-38x24 Spec Sheet for complete details)



IB-38X24

ACCESSORIES

MODEL	DESCRIPTION	LIST	WEIGHT
TC-BS	Tubing chase centered in backsplash (12" wide and larger models only)	\$51	N/A
IMF	Ice-melting faucet (12" wide and larger models only)	\$399	3#
SSR-12	12" single speed rail	\$166	4#
SSR-18	18" single speed rail	\$183	6#
SSR-24	24" single speed rail	\$200	7#
SSR-30	30" single speed rail	\$216	10#
SSR-36	36" single speed rail	\$233	12#
SSR-42	42" single speed rail	\$249	18#
SSR-48	48" single speed rail	\$267	22#
DSR-12	12" double speed rail	\$330	8#
DSR-18	18" double speed rail	\$361	12#
DSR-24	24" double speed rail	\$390	14#
DSR-30	30" double speed rail	\$423	20#
DSR-36	36" double speed rail	\$455	24#
DSR-42	42" double speed rail	\$488	36#
DSR-48	48" double speed rail	\$526	44#
CCD	Condiment dispenser	\$153	5#
CCD6-12	Condiment dispenser, ice chilled, includes six cups and two lift off covers, for IBA-12 or well of CBA model	\$351	8#
IBD-H-A	Ice bin divider, half, for 19" deep ice bin	\$77	4#
IBD-H-B	Ice bin divider, half, for 24" deep ice bin	\$99	4#
IBD-H-A-ED	Ice bin divider, half, for 19" deep extra deep ice bin	\$91	4#
IBD-H-B-ED	Ice bin divider, half, for 24" deep extra deep ice bin	\$116	4#
IBD-H-P	Ice bin divider, half, for IB-38X24	\$130	4#
IBD-H-P-CP	Ice bin divider, half, for IB-38X24-CP10	\$139	4#
IBD-H-P-LR	Ice bin divider, half, left to right for IB-38X24	\$99	4#



SSR-24



DSR-24



CCD6-12



TC-BS



IBD-H-A



CCD

NOTE: For Bottle Wells or Racks see page 25

Bar Fabrication - Main Line



CBA-36R-CP10
with optional SSR-36

PRODUCT INFORMATION
(see CB and CB-ED Spec Sheets
for complete details)

STANDARD FEATURES

- One-piece, seamless top and backsplash
- PVC plastic breaker strip around ice bin liner: creates 5/16" raised edge around liner (NSF® requirement is 3/16"), acts as thermal barrier to prevent heat transfer, and makes the covers slide easier
- Tubing chase available centered in backsplash of 12" and larger models. Specify accessory model #TC-BS.
- 24" deep version provides a larger ice bin, not just a deck extension on the back of 19" deep model
- Sliding stainless steel cover
- Foamed-in-place insulation
- Models without cold plates have a 1-1/2" welded tailpiece - no drain fitting to break or come loose
- 10-1/2" deep liner (Extra deep models have a 14-1/2" deep liner)
- Adjustable stainless steel bullet feet

Combo Ice Bins combine separate draining ice bin and bottle well compartments into one integral unit. The fully insulated bottle well comes with wire rack(s) for ice chilled storage of bottles. The bottle well may be located on the left, right, or both sides of the ice bin.

19" DEEP COMBO ICE BINS*

MODEL	LIST	LENGTH	WT	ICE CAPACITY	BOTTLES STORED
CBA-30L3 or R3	\$2,313	30"	90#	67#	3
CBA-30L or R	\$2,313	30"	90#	50#	6
CBA-36L or R	\$2,488	36"	100#	67#	6
CBA-42	\$3,028	42"	110#	50#	12
CBA-42L or R	\$2,661	42"	110#	84#	6
CBA-48	\$3,225	48"	120#	67#	12
CBA-48L or R	\$2,862	48"	120#	100#	6

WITH 10-CIRCUIT COLD PLATE

CBA-30L3 or R3-CP10	\$3,746	30"	165#	67#	3
CBA-36L or R-CP10	\$3,920	36"	170#	67#	6
CBA-42L or R-CP10	\$4,147	42"	180#	84#	6
CBA-48-CP10	\$4,733	48"	200#	67#	12
CBA-48L or R-CP10	\$4,456	48"	200#	100#	6
CBA-54-CP10*	\$4,966	54"	210#	84#	12
CBA-60-CP10*	\$5,274	60"	220#	100#	12

19" EXTRA DEEP COMBO ICE BINS WITH 10-CIRCUIT COLD PLATE*

CBA-30L3 or R3-CP10-ED	\$4,024	30"	175#	92#	3
CBA-36L or R-CP10-ED	\$4,198	36"	180#	92#	6
CBA-42L or R-CP10-ED	\$4,445	42"	190#	116#	6
CBA-48-CP10-ED	\$5,060	48"	210#	92#	12
CBA-48L or R-CP10-ED	\$4,774	48"	210#	139#	6

24" DEEP COMBO ICE BINS WITH 10-CIRCUIT COLD PLATE*

CBB-30L4 or R4-CP10	\$4,210	30"	175#	85#	4
CBB-36L or R-CP10	\$4,415	36"	180#	85#	8
CBB-42L or R-CP10	\$4,598	42"	190#	106#	8
CBB-48-CP10	\$5,453	48"	210#	85#	16
CBB-48L or R-CP10	\$4,781	48"	210#	127#	8

*NOTE: These Combo Ice Bin models are manufactured to order and are not returnable

COMBO ICE BIN ACCESSORIES

MODEL	DESCRIPTION	LIST	WEIGHT
TC-BS	Tubing chase centered in backsplash	\$51	N/A
IMF	Ice-melting faucet	\$399	3#
SSR-30	30" single speed rail	\$216	10#
SSR-36	36" single speed rail	\$233	12#
SSR-42	42" single speed rail	\$249	18#
SSR-48	48" single speed rail	\$267	22#
SSR-54	54" single speed rail	\$390	25#
SSR-60	60" single speed rail	\$408	28#
DSR-30	30" double speed rail	\$423	20#
DSR-36	36" double speed rail	\$455	24#
DSR-42	42" double speed rail	\$488	36#
DSR-48	48" double speed rail	\$526	44#
DSR-54	54" double speed rail	\$702	50#
DSR-60	60" double speed rail	\$726	56#
CCD	Condiment dispenser	\$153	5#
IBD-H-A	Ice bin divider, half, for 19" deep ice bin	\$77	4#
IBD-H-B	Ice bin divider, half, for 24" deep ice bin	\$99	4#



SSR-54



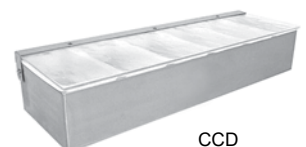
IBD-H-A



TC-BS



DSR-54



CCD



CBA-36-CP10-CS



Large chase behind each bottle well provides access for soda and liquor lines.

CASINO STYLE COMBO ICE BIN*

<u>MODEL</u>	<u>LIST</u>	<u>LENGTH</u>	<u>WT</u>	<u>ICE CAPACITY</u>	<u>BOTTLES STORED</u>
CBA-36-CP10-CS	\$4,878	36"	190#	67#	6

*NOTE: Casino Style Combo Ice Bin model is manufactured to order and not returnable

CASINO STYLE COMBO ICE BIN ACCESSORY

<u>MODEL</u>	<u>DESCRIPTION</u>	<u>LIST</u>	<u>WEIGHT</u>
CCD	Condiment dispenser	\$153	5#

PRODUCT INFORMATION

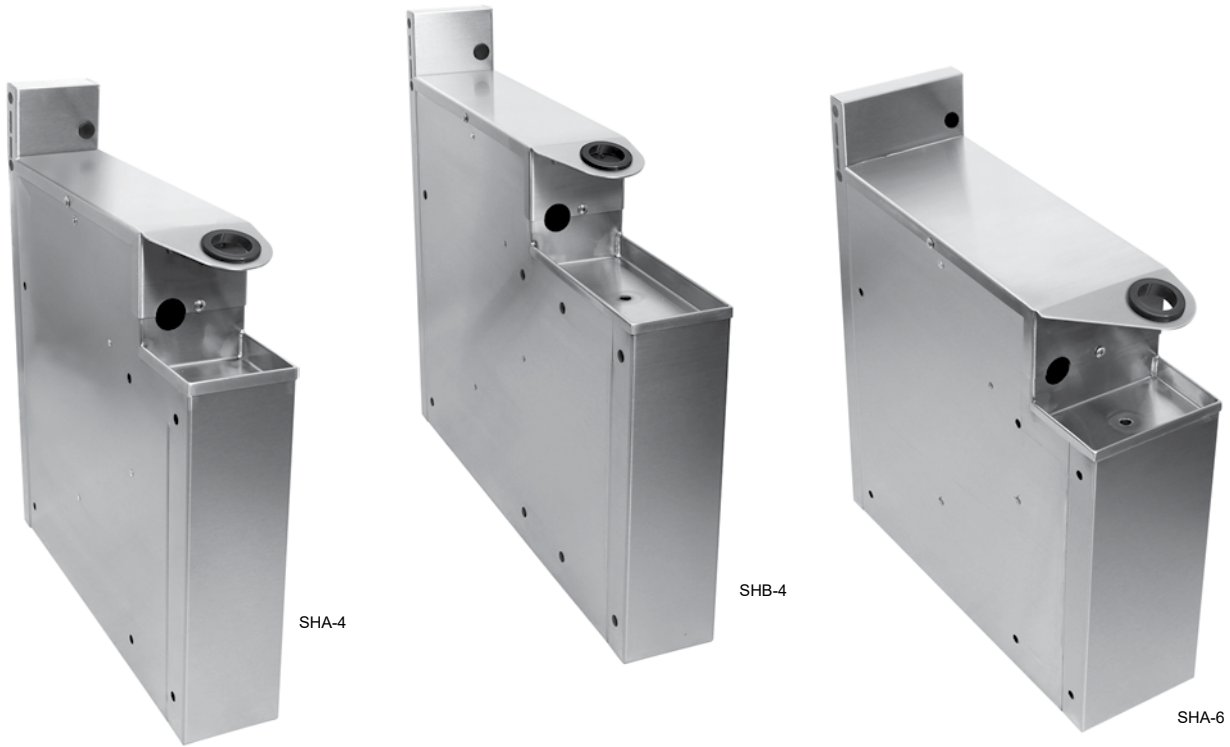
(see Casino Spec Sheet for complete details)

STANDARD FEATURES

- Integrates one ice bin, two separate draining bottle wells, and two tubing chases into a one-piece seamless top and backsplash
- All stainless steel construction
- PVC plastic breaker strip around ice bin liner: creates 5/16" raised edge around liner, acts as thermal barrier to prevent heat transfer, and makes the cover slide easier
- One 3-bottle well to the left and right of the main ice bin liner
- 4" by 4-1/2" chase opening located behind each bottle well
- 24" single speed rail with PVC sound deadening cover included
- Sliding stainless steel cover for main ice bin liner
- Adjustable stainless steel bullet feet
- Ten circuit cold plate standard in main ice bin liner

Bar Fabrication - Main Line

Protected by one or more patents. For more information visit:
<https://www.glastender.com/patents>



- PRODUCT INFORMATION**
 (see SH Spec Sheet for complete details)
- STANDARD FEATURES**
- All stainless steel construction
 - Designed to house the manifold of Wunder-Bar® or Schroeder America™ 8 to 14 button soda guns
 - Includes integral drip pan with radius corners for easy cleaning
 - Built-in holder for soda gun
 - Top cover is removable for access to the soda manifold
 - Allows you to dictate the soda gun location
 - Eliminates the need for tubing bundles above the work surface
 - Designed to mount to at least one other piece of underbar equipment (there is no provision for leg mounting)
 - Includes camlock in backsplash for mounting to adjacent underbar
 - Extra deep “-ED” models available to align with extra-deep style ice bins

19" DEEP SODA GUN HOLDERS

MODEL	LIST	LENGTH	WEIGHT
SHA-4	\$577	4"	22#
SHA-4-ED	\$613	4"	24#
SHA-6	\$603	6"	25#
SHA-6-ED	\$644	6"	27#

24" DEEP SODA GUN HOLDERS

MODEL	LIST	LENGTH	WEIGHT
SHB-4	\$612	4"	22#
SHB-4-ED	\$654	4"	24#
SHB-6	\$639	6"	25#
SHB-6-ED	\$686	6"	27#

38" DEEP PASS THRU SODA GUN HOLDERS

MODEL	LIST	LENGTH	WEIGHT
SHP-4	\$922	4"	32#
SHP-4-ED	\$984	4"	34#
SHP-6	\$976	6"	35#
SHP-6-ED	\$1,043	6"	37#

Bar Fabrication - Main Line



SMHA-4

Installation photo showing soda gun drip cup mounted below bar top (soda gun and drip cup not included)



PRODUCT INFORMATION

(see SMH Spec Sheet for complete details)

STANDARD FEATURES

- Stainless steel construction
- Designed to house the manifold of Wunder-Bar® or Schroeder America™ 8 to 14 button soda guns
- Once installed, the top of the housing is 34" high
- Top cover is removable for access to the soda manifold
- Eliminates the need for tubing bundles above the work surface
- Mounts to an adjacent piece of underbar (there is no provision for leg mounting)
- The soda gun drip cup supplied by the soda gun manufacturer mounts to the underside of your bar top
- Extra deep "-ED" models available to align with extra-deep style ice bins

19" DEEP SODA MANIFOLD HOUSING

MODEL	LIST	LENGTH	WEIGHT
SMHA-4	\$425	4"	20#
SMHA-4-ED	\$453	4"	22#
SMHA-6	\$454	6"	23#
SMHA-6-ED	\$484	6"	25#

24" DEEP SODA MANIFOLD HOUSING

MODEL	LIST	LENGTH	WEIGHT
SMHB-4	\$465	4"	24#
SMHB-4-ED	\$501	4"	26#
SMHB-6	\$498	6"	28#
SMHB-6-ED	\$535	6"	30#

38" DEEP PASS THRU MANIFOLD HOUSING

MODEL	LIST	LENGTH	WEIGHT
SMHP-4	\$686	4"	35#
SMHP-4-ED	\$743	4"	37#
SMHP-6	\$736	6"	40#
SMHP-6-ED	\$796	6"	42#

Bar Fabrication - Main Line

Undercounter Mount Gun Holder



UMGH

PRODUCT INFORMATION
(see UMGH Spec Sheet for complete details)



14 gauge stainless steel with rubber grommet and plastic drip pan. Grommet is specially sized to properly hold both Wunder-Bar® and Schroeder America™ style soda guns. Includes 10' of drain line tube.

UNDERCOUNTER MOUNT GUN HOLDER

MODEL	LIST	WEIGHT
UMGH	\$109	3#

PRODUCT INFORMATION

(see BW Spec Sheet for complete details)

Bottle Wells are PVC plastic-molded bottle holders that are placed in an ice bin to hold ice-chilled mix-ingredient pour and store bottles. There are two sizes of wells: 3 bottle for 19" deep ice bins and four bottle for 24" deep ice bins. The 3 bottle notched model is used with the IB-38x24 pass-thru ice bin.

A bottle well may be placed on one or both sides of an ice bin and is designed with a special ledge on one side to hold a sliding ice bin cover. When bottle wells are ordered with an original ice bin, the correct, smaller-sliding ice bin cover is automatically provided.

For three bottles stored on one side of a 19" deep ice bin, order one model number BW3. For three bottles stored on both sides of a 19" deep ice bin, order a quantity of two BW3.

For four bottles stored on one side of a 24" deep ice bin, order one model number BW4. For four bottles stored on both sides of a 24" deep ice bin, order a quantity of two BW4.



BW3
(Positioned Left)

BW3
(Positioned Right)

MODEL	DESCRIPTION	LIST	WEIGHT
BW3	3 bottle well for 19" deep ice bin	\$51	4#
BW3-2	2 - 3 bottle wells for 19" deep ice bin	\$102	8#
BW3-N	3 bottle well with notch for IB-38x24 ice bin	\$77	4#
BW4	4 bottle well for 24" deep ice bin	\$97	5#
BW4-2	2 - 4 bottle wells for 24" deep ice bin	\$194	10#

Bottle Racks

Pricing effective December 1, 2020

BR3 AND BR4 PRODUCT INFORMATION

(see BR Spec Sheet for complete details)

BR3 and BR4 bottle racks are vinyl-coated wire racks that are placed in an ice bin to hold ice-chilled mix-ingredient pour and store bottles. There are two sizes of wire racks: 3 bottle for 19" deep ice bins and four bottle for 24" deep ice bins.

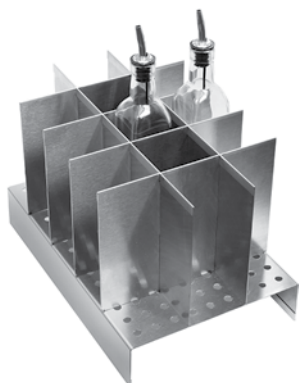
The BR3 and BR4 are intended for use with smaller ice bins, where the sole purpose of the ice bin is to provide insulated storage for pour and store bottles. Bottle racks are most often used with 6" or 12" wide ice bins, which hold one or two racks, respectively. For example, an IBA-6 ice bin holds one BR3, while an IBA-12 ice bin holds two BR3.



BR4
(Bottles not included)

BR3

MODEL	DESCRIPTION	LIST	WEIGHT
BR3	3 bottle rack for 19" deep ice bin	\$48	3#
BR4	4 bottle rack for 24" deep ice bin	\$59	4#



BRM15
(Bottles not included)

BRM15 PRODUCT INFORMATION

(see BRM Spec Sheet for complete details)

The BRM15 stainless steel mixology bottle rack fits into an IBA-12 model ice bin or the bottle well of a CBA model combo ice bin to provide ice-chilled storage for 15 elixir bottles. NOTE: Recommend Tablecraft 916 (16 oz.) or 9085 (8.5 oz.) olive oil bottles.

MODEL	DESCRIPTION	LIST	WEIGHT
BRM15	Mixology bottle rack, 15 bottle, 3" by 3" openings	\$249	3#



SSR-24

Locking covers for Single Speed Rails include built-in storage hangers when ordered with original equipment

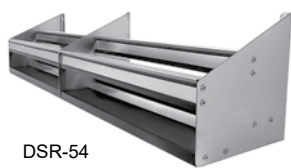


SINGLE SPEED RAILS

MODEL	LIST	LENGTH	WEIGHT
SSR-12	\$166	12"	4#
SSR-13 to 18	\$183	13" to 18"	6#
SSR-19 to 24	\$200	19" to 24"	7#
SSR-25 to 30	\$216	25" to 30"	10#
SSR-31 to 36	\$233	31" to 36"	12#
SSR-37 to 42	\$249	37" to 42"	18#
SSR-43 to 48	\$267	43" to 48"	22#
SSR-49 to 54	\$390	49" to 54"	25#
SSR-55 to 60	\$408	55" to 60"	28#
SSR-61 to 66	\$425	61" to 66"	32#
SSR-67 to 72	\$441	67" to 72"	35#
SSR-73 to 78	\$459	73" to 78"	38#
SSR-79 to 84	\$476	79" to 84"	42#

SINGLE SPEED RAIL LOCKING COVERS

MODEL	LIST	LENGTH	WEIGHT
SSRC-12	\$219	12"	7#
SSRC-13 to 18	\$236	13" to 18"	9#
SSRC-19 to 24	\$253	19" to 24"	11#
SSRC-25 to 30	\$274	25" to 30"	13#
SSRC-31 to 36	\$286	31" to 36"	16#
SSRC-37 to 42	\$303	37" to 42"	18#
SSRC-43 to 48	\$320	43" to 48"	21#



DSR-54



DSR-24

DOUBLE SPEED RAIL LOCKING COVERS

MODEL	LIST	LENGTH	WEIGHT
DSRC-12	\$438	12"	14#
DSRC-13 to 18	\$472	13" to 18"	18#
DSRC-19 to 24	\$506	19" to 24"	22#
DSRC-25 to 30	\$548	25" to 30"	26#
DSRC-31 to 36	\$572	31" to 36"	32#
DSRC-37 to 42	\$606	37" to 42"	36#
DSRC-43 to 48	\$640	43" to 48"	42#

DOUBLE SPEED RAILS

MODEL	LIST	LENGTH	WEIGHT
DSR-12	\$330	12"	8#
DSR-13 to 18	\$361	13" to 18"	12#
DSR-19 to 24	\$390	19" to 24"	14#
DSR-25 to 30	\$423	25" to 30"	20#
DSR-31 to 36	\$455	31" to 36"	24#
DSR-37 to 42	\$488	37" to 42"	36#
DSR-43 to 48	\$526	43" to 48"	44#
DSR-49 to 54	\$702	49" to 54"	50#
DSR-55 to 60	\$726	55" to 60"	56#
DSR-61 to 66	\$766	61" to 66"	64#
DSR-67 to 72	\$798	67" to 72"	70#
DSR-73 to 78	\$831	73" to 78"	76#
DSR-79 to 84	\$863	79" to 84"	84#

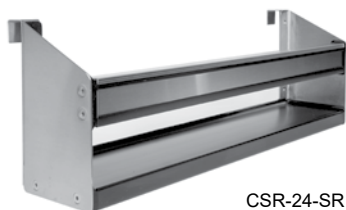
PRODUCT INFORMATION

(see SSR, CSR, and DSR Spec Sheets for complete details)

STANDARD FEATURES

- All stainless steel construction
- Open channel-and-rail design for easy cleaning and better view of bottles
- PVC sound deadening covers
- Locking covers for Single Speed Rails include built-in storage hangers when ordered with original equipment
- Each rail includes a clear lift-off liquor-identification cover
- Radius corners for easy cleaning

CLIP-ON SINGLE SPEED RAILS



CSR-24-SR

MODEL	DESCRIPTION	LIST	WEIGHT
CSR-12-SR	12" Clip-on single to existing single	\$194	4#
CSR-18-SR	18" Clip-on single to existing single	\$211	6#
CSR-24-SR	24" Clip-on single to existing single	\$228	7#
CSR-30-SR	30" Clip-on single to existing single	\$244	10#
CSR-36-SR	36" Clip-on single to existing single	\$261	12#
CSR-42-SR	42" Clip-on single to existing single	\$278	15#
CSR-48-SR	48" Clip-on single to existing single	\$295	18#

Bar Fabrication - Main Line

All faucets are certified low lead compliant



BSB-18



DBSB-18



BSA-18-RF



DBSA-12-RF

Rinser faucet installation notes:

- Important: Unit must be installed in conformance with applicable federal, state, and local plumbing codes, including adequate backflow when required.
- Must install backflow prevention device conforming to ANSI/ASSE 1022 or ANSI/ASSE 1024 to meet plumbing code (not included).
- Install in-line water regulator (included).
- A separate shut-off valve is recommended (not included).

PRODUCT INFORMATION

(see BS and DBS Spec Sheets for complete details)

STANDARD FEATURES

- All stainless steel construction
- Adjustable stainless steel bullet feet
- Sink models feature a 9-1/4" by 11-1/2" by 6" deep sink bowl, a lift-out plastic perforated sink strainer and a hot and cold water faucet
- Models BSA-12, BSA-18-RF, and BSB-12 are available with a foot-operated faucet. Specify accessory number FOF-B.
- Drainboard models feature drainboard work surface consisting of drain pan with separate removable perforated insert
- "-RF" models include a rinser faucet for rinsing blender cups
- 24" deep models have a 9" deep shelf
- 29" deep models have a 10" deep shelf
- Junction box for duplex outlet mounted underneath blender shelf (outlet not included)

WARNING: The plastic wet waste strainer included with this product can expose you to chemicals including Bisphenol A (BPA), which is known to the State of California to cause birth defects or other reproductive harm. For more information, go to www.P65Warnings.ca.gov. **Part #03000483**
Warning applies to State of California only.

Blender Stations come standard with a sink, faucet, and wet waste strainer. Drainboard Blender Stations come standard with a drainboard work surface consisting of a drain pan with separate removable perforated insert.

The integral blender shelf is 9" deep on the 24" deep models and 10" deep on 29" models. The shelf stores the blender at the 19" high level. A grommeted cord access hole is provided in the front skirt.

24" DEEP BLENDER STATIONS

(Aligns with 19" deep underbar that has a single speed rail)

MODEL	LIST	LENGTH	WEIGHT
BSA-12 ◦	\$1,536	12"	48#
BSA-14	\$1,519	14"	50#
BSA-18L †	\$1,582	18"	55#
BSA-18R †	\$1,582	18"	55#

◦ = Foot-operated backsplash faucet accessory option

† Denotes faucet location as Left or Right

24" DEEP BLENDER STATION WITH RINSER FAUCET

(Aligns with 19" deep underbar that has a single speed rail)

MODEL	LIST	LENGTH	WEIGHT
BSA-18-RF ◦*	\$2,007	18"	60#

◦ = Foot-operated backsplash faucet accessory option

29" DEEP BLENDER STATIONS

(Aligns with 24" deep underbar that has a single speed rail or 19" deep underbar that has a double speed rail)

MODEL	LIST	LENGTH	WEIGHT
BSB-12 ◦	\$1,640	12"	53#
BSB-14	\$1,691	14"	55#
BSB-18	\$1,779	18"	60#

◦ = Foot-operated backsplash faucet accessory option

24" DEEP DRAINBOARD BLENDER STATIONS

(Aligns with 19" deep underbar that has a single speed rail)

MODEL	LIST	LENGTH	WEIGHT
DBSA-12	\$938	12"	40#
DBSA-14*	\$975	14"	42#
DBSA-18*	\$1,047	18"	45#
DBSA-24*	\$1,155	24"	55#

24" DEEP DRAINBOARD BLENDER STATIONS WITH RINSER FAUCET

(Aligns with 19" deep underbar that has a single speed rail)

MODEL	LIST	LENGTH	WEIGHT
DBSA-12-RF*	\$1,299	12"	45#
DBSA-14-RF*	\$1,338	14"	47#
DBSA-18-RF*	\$1,415	18"	50#

29" DEEP DRAINBOARD BLENDER STATIONS

(Aligns with 24" deep underbar that has a single speed rail or 19" deep underbar that has a double speed rail)

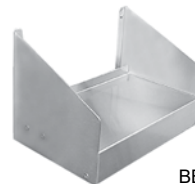
MODEL	LIST	LENGTH	WEIGHT
DBSB-12*	\$992	12"	45#
DBSB-14*	\$1,031	14"	47#
DBSB-18*	\$1,113	18"	50#

*NOTE: These items are manufactured to order and are not returnable

Blender stations cannot have a speed rail mounted to them. Since speed rails are so common on underbar, blender stations come in 24" and 29" depths and are designed to align with underbar that has a speed rail.



FOF-B
• BSA-12
• BSA-18-RF
• BSB-12



BBS-12

Optional foot-operated faucet

Additional blender shelf space can be added to standard underbar units by specifying a Bolt-on Blender Shelf. Bolt-on Blender Shelves are 10" deep and include a junction box for duplex outlet (outlet not included) mounted below the shelf.

ACCESSORIES

MODEL	DESCRIPTION	LIST	WT
LS15-F	15" D left side splash (BSA models)	\$118	4#
RS15-F	15" D right side splash (BSA models)	\$118	4#
LS15-D	15" D left side splash (DBSA models)	\$118	4#
RS15-D	15" D right side splash (DBSA models)	\$118	4#
LSA-D	19" deep left end splash (BSB & DBSB models)	\$118	4#
RSA-D	19" deep right end splash (BSB & DBSB models)	\$118	4#
LSRF	Left end splash (-RF models)	\$118	4#
RSRF	Right end splash (-RF models)	\$118	4#
TR	Towel ring	\$15	1#
• FOF-B	Convert to foot-operated backsplash faucet for BSA-12, BSA-18-RF, and BSB-12 models	\$439	3#

BOLT-ON BLENDER SHELVES

MODEL	DESCRIPTION	LIST	WT
BBS-8	8" bolt-on blender shelf	\$227	8#
BBS-12	12" bolt-on blender shelf	\$239	12#
BBS-14	14" bolt-on blender shelf	\$244	14#
BBS-16	16" bolt-on blender shelf	\$252	16#
BBS-18	18" bolt-on blender shelf	\$259	18#
BBS-24	24" bolt-on blender shelf	\$281	28#
BBS-30	30" bolt-on blender shelf	\$298	36#

Pricing effective December 1, 2020

In-Counter Blender Stations*

In-Counter Blender Stations are specifically designed for in-counter blenders. There are three different models to accommodate blender units manufactured by Blendtec®, Hamilton Beach®, and Vita-Mix®. All models are 12" wide and 24" deep with a lowered work surface to allow the use of the sound enclosure available on each model.

PRODUCT INFORMATION

(see IBS Spec Sheet for complete details)

STANDARD FEATURES

- All stainless steel construction
- Adjustable stainless steel bullet feet
- Radius work surface corners for easy cleaning
- One-piece seamless top and backsplash
- Designed with cut-out to accommodate various in-counter blenders



IBS-12-H



IBS-12-B



IBS-12-V

(Blender is not included)

IN-COUNTER BLENDER STATIONS

MODEL	LIST	LENGTH	DEPTH	WEIGHT	ACCOMMODATES
IBS-12-B	\$884	12"	24"	35#	Blendtec™ Smoother, Titan, or ABC In-Counter Blenders
IBS-12-H	\$884	12"	24"	35#	Hamilton Beach™ 91655 In-Counter Commercial Blender
IBS-12-V	\$884	12"	24"	35#	Vita-Mix® In-Counter Touch & Go® Blending Station®

*NOTE: These items are manufactured to order and are not returnable



DBA-18 with optional SSR-18

The work surface of a Glastender drainboard consists of a 1" deep sloped stainless steel drain pan with a separate removable perforated insert. The 1" high perforated insert allows air circulation beneath the glassware, and since the pan is sloped and not the insert, all glassware is stored on a level plane.

NOTE: Drainboards are also available with a flat stainless steel filler board top in lieu of the drainboard top. Substitute an 'F' for the 'D' in the model number when ordering and use the same price. Filler boards are manufactured to order and are not returnable.

PRODUCT INFORMATION

(see DB Spec Sheet for complete details)

STANDARD FEATURES

- All stainless steel construction
- Adjustable stainless steel bullet feet
- 24" deep models provide a larger drainboard storage area, not just a deck extension on the back of the 19" deep model
- One-piece seamless top, front rail and backsplash
- Work surface consists of a drain pan and separate perforated insert for better air circulation
- All storage is on level plane

19" DEEP DRAINBOARDS

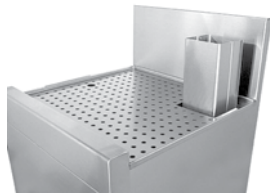
MODEL	LIST	LENGTH	WEIGHT
DBA-12	\$762	12"	45#
DBA-18	\$846	18"	50#
DBA-24	\$937	24"	55#
DBA-30	\$1,028	30"	60#
DBA-36	\$1,106	36"	65#
DBA-42	\$1,189	42"	70#
DBA-48	\$1,274	48"	75#

24" DEEP DRAINBOARDS

MODEL	LIST	LENGTH	WEIGHT
DBB-12	\$827	12"	50#
DBB-18	\$933	18"	55#
DBB-24	\$1,035	24"	60#
DBB-30	\$1,140	30"	65#
DBB-36	\$1,230	36"	70#
DBB-42	\$1,329	42"	80#
DBB-48	\$1,429	48"	85#

ACCESSORIES

MODEL	DESCRIPTION	LIST	WEIGHT
SSR-12	12" single speed rail	\$166	4#
SSR-18	18" single speed rail	\$183	6#
SSR-24	24" single speed rail	\$200	7#
SSR-30	30" single speed rail	\$216	10#
SSR-36	36" single speed rail	\$233	12#
SSR-42	42" single speed rail	\$249	18#
SSR-48	48" single speed rail	\$267	22#
DSR-12	12" double speed rail	\$330	8#
DSR-18	18" double speed rail	\$361	12#
DSR-24	24" double speed rail	\$390	14#
DSR-30	30" double speed rail	\$423	20#
DSR-36	36" double speed rail	\$455	24#
DSR-42	42" double speed rail	\$488	36#
DSR-48	48" double speed rail	\$526	44#
TC*	4" X 4" x 6-1/2" H tubing chase	\$192	5#



Tubing Chase accessory added to a drainboard at the factory



DSR-24



SSR-24

*NOTE: Drainboard units with a TC accessory added are manufactured to order and are not returnable

Recessed drainboards have the same drain pan with separate perforated insert design as normal drainboards, except the work surface has been lowered to allow stacking of glassware. A perforated shelf is placed on top of the first level of glassware and a second layer of glassware is stacked on top of it. Recessed drainboards work best when only one style of glassware is being stored.

Recessed drainboards cannot have a speed rail mounted to them. Since speed rails are so common on underbar, recessed drainboards have been designed to align with underbar that has a speed rail. The four different recessed drainboard styles are based on the four different equipment-mounting situations.



RDBA-18S



RDBB-18 with DHSB-12 attached left

24" DEEP RECESSED DRAINBOARDS

(Aligns with 19" deep underbar that has a single speed rail)

MODEL	LIST	LENGTH	WEIGHT
RDBA-12S	\$906	12"	50#
RDBA-18S	\$1,024	18"	55#
RDBA-24S	\$1,150	24"	60#
RDBA-30S*	\$1,267	30"	65#

24" DEEP RECESSED DRAINBOARDS

(Aligns with 24" deep underbar that has no speed rail)

MODEL	LIST	LENGTH	WEIGHT
RDBB-12	\$906	12"	50#
RDBB-18	\$1,024	18"	55#
RDBB-24	\$1,150	24"	60#
RDBB-30*	\$1,267	30"	65#



RDBA-18D

*NOTE: These items are manufactured to order and are not returnable



RDBB-18S

29" DEEP RECESSED DRAINBOARDS*

(Aligns with 19" deep underbar that has a double speed rail)

MODEL	LIST	LENGTH	WEIGHT
RDBA-12D*	\$1,005	12"	60#
RDBA-18D*	\$1,137	18"	65#
RDBA-24D*	\$1,294	24"	70#
RDBA-30D*	\$1,425	30"	75#

29" DEEP RECESSED DRAINBOARDS*

(Aligns with 24" deep underbar that has a single speed rail)

MODEL	LIST	LENGTH	WEIGHT
RDBB-12S*	\$1,005	12"	60#
RDBB-18S*	\$1,137	18"	65#
RDBB-24S*	\$1,294	24"	70#
RDBB-30S*	\$1,425	30"	75#

Bar Fabrication - Main Line

PRODUCT INFORMATION

(see IFC and OFC Spec Sheets for complete details)

Corner drainboards are used when an underbar line-up turns, either 90° or less. The direction of the turn may be toward or away from the bartender. A turn that is toward the bartender requires an inside corner. A turn that is away from the bartender requires an outside corner. Corner drainboards are constructed using the same drain pan with separate removable perforated-insert design as all Glastender drainboards.

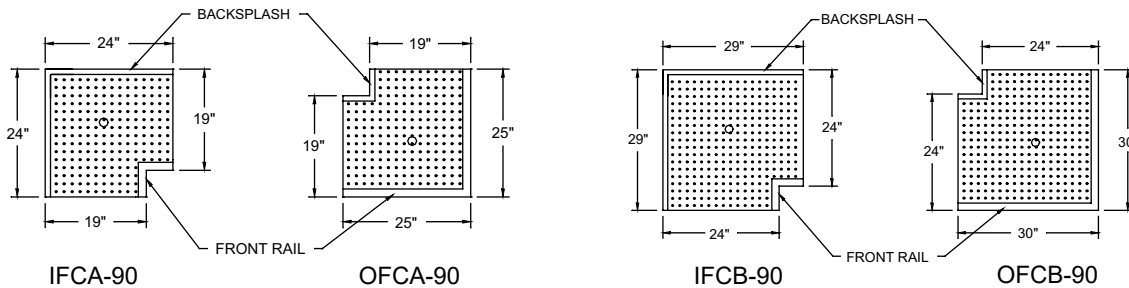


90° FULL CORNER DRAINBOARDS

MODEL	LIST	DEPTH	TURN	WEIGHT
IFCA-90	\$921	19"	Inside	50#
OFCA-90	\$921	19"	Outside	50#
IFCB-90	\$1,048	24"	Inside	60#
OFCB-90	\$1,048	24"	Outside	60#

Angular 90° Full Corner Drainboards are for 90° inside or outside turns. They are designed to align with 19" or 24" deep underbar and they come with a front rail to match the front rail adjacent equipment.

Sample 90° Full Corner Drainboard Plan Views



DIMENSIONAL FULL CORNER DRAINBOARDS

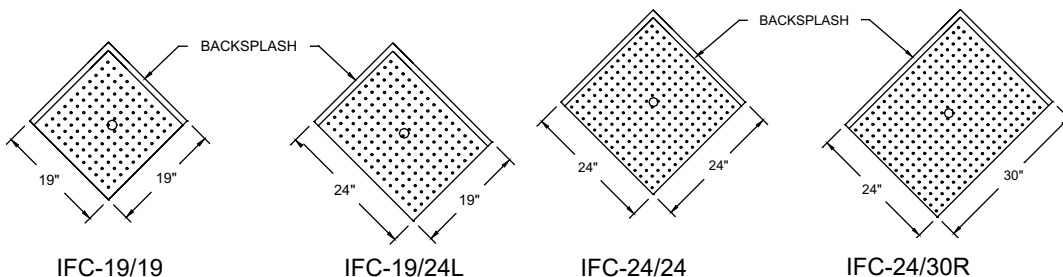
MODEL	LIST	LEFT	RIGHT	WEIGHT
IFC-19/19	\$759	19"	19"	40#
IFC-19/24L	\$845	24"	19"	45#
IFC-19/24R	\$845	19"	24"	45#
IFC-19/30L	\$928	30"	19"	50#
IFC-19/30R	\$928	19"	30"	50#
IFC-24/24	\$921	24"	24"	50#
IFC-24/30L	\$1,004	30"	24"	60#
IFC-24/30R	\$1,004	24"	30"	60#

Dimensional Full Corner Drainboards are for 90° inside turns only. The dimensions of the corner are specified in the model number. If the dimensions of each side are not the same, the longest dimension is specified second along with its location. See sample drawings.



IFC-24/24

Sample Dimensional Full Corner Drainboard Plan Views

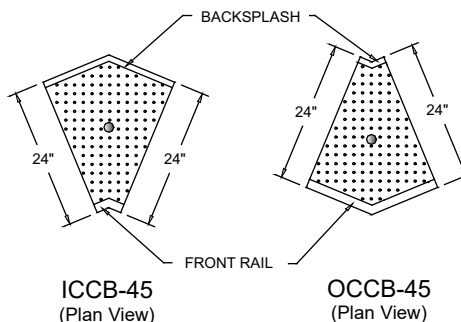
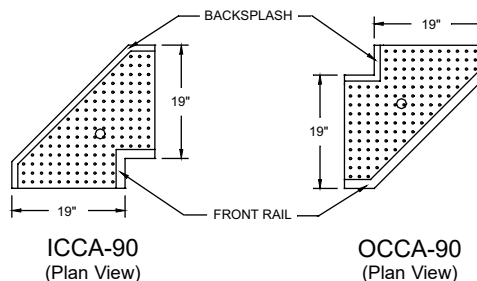


Clip Corner Drainboards are for 90° and smaller inside and outside turns. They are designed to align with 19" or 24" deep underbar and they come with a front rail to match adjacent equipment. The difference between 90° Clip Corners and 90° Full Corners is that the rear has a larger chamfer. See sample drawings.



ICCA-45

Sample Dimensional Full Corner Drainboard Plan Views



19" DEEP CLIP CORNER DRAINBOARDS

MODEL	LIST	DEGREE	TURN	WEIGHT
ICCA-90	\$921	90°	Inside	50#
OCCA-90	\$921	90°	Outside	50#
ICCA-75	\$830	75°	Inside	45#
OCCA-75	\$830	75°	Outside	45#
ICCA-60	\$746	60°	Inside	40#
OCCA-60	\$746	60°	Outside	40#
ICCA-45	\$672	45°	Inside	36#
OCCA-45	\$672	45°	Outside	36#
ICCA-30	\$605	30°	Inside	33#
OCCA-30	\$605	30°	Outside	33#
ICCA-15	\$544	15°	Inside	30#
OCCA-15	\$544	15°	Outside	30#

24" DEEP CLIP CORNER DRAINBOARDS

MODEL	LIST	DEGREE	TURN	WEIGHT
ICCB-90	\$1,048	90°	Inside	55#
OCCB-90	\$1,048	90°	Outside	55#
ICCB-75	\$944	75°	Inside	50#
OCCB-75	\$944	75°	Outside	50#
ICCB-60	\$848	60°	Inside	45#
OCCB-60	\$848	60°	Outside	45#
ICCB-45	\$762	45°	Inside	40#
OCCB-45	\$762	45°	Outside	40#
ICCB-30	\$688	30°	Inside	37#
OCCB-30	\$688	30°	Outside	37#
ICCB-15	\$619	15°	Inside	35#
OCCB-15	\$619	15°	Outside	35#



IFC-24/24 with CB-LEG shown with FSB-48 attached left

Does your Corner Drainboard need a full side and leg set?

Corner drainboards are designed to mount between two pieces of underbar. However, corner drainboards can be used to mount between any two stable vertical surfaces. Corners should not be mounted to objects that are mobile or on casters. Because they are intended to mount between two vertical surfaces, corner drainboards do not come free standing with finished sides and leg sets. If one side of the corner does not have a vertical surface on which to mount, then a side and leg set must be ordered as an accessory.

FULL SIDE AND LEG SET ACCESSORIES

MODEL	LIST	DEPTH	WEIGHT
CA-LEG	\$200	19"	6#
CB-LEG	\$223	24"	7#

PRODUCT INFORMATION

(see ICC and OCC Spec Sheets for complete details)

STANDARD FEATURES

- All stainless steel construction
- 36 different standard models to choose from
- Work surface consists of a drain pan and separate perforated insert for better air circulation
- All storage is on level plane

Bar Fabrication - Main Line

Glassracks are designed to hold three racks of glassware: one on the bottom shelf and one on each of the two adjustable glass rack slides. The 24" wide models hold 20" by 20" racks and the 18" wide models hold the 16" round racks used with the Glastender GT-18 glasswashers.

PRODUCT INFORMATION

(see GR Spec Sheet for complete details)

STANDARD FEATURES

- All stainless steel construction
- Adjustable stainless steel bullet feet
- Full bottom shelf with drain
- Two adjustable glass rack slides
- Storage for three (3) glassracks

*NOTE: These items are manufactured to order and are not returnable



GRA-24

19" DEEP GLASSRACKS

MODEL	LIST	LENGTH	WEIGHT
GRA-18*	\$1,216	18"	60#
GRA-24	\$1,347	24"	70#

24" DEEP GLASSRACKS

MODEL	LIST	LENGTH	WEIGHT
GRB-18*	\$1,360	18"	70#
GRB-24	\$1,498	24"	80#

Bar Fabrication - Main Line

Drainboard Glassracks

Pricing effective December 1, 2020

Drainboard Glassracks have a stationary or roll-out bottom shelf, adjustable or roll-out intermediate shelf, and drainboard work surface. All models are 24" deep. The 24" wide models hold 20" by 20" racks and the 18" wide model holds the 16" round racks used with the Glastender GT-18 glasswashers. Since drainboard glassrack shelves are solid, they can be used for non-glassrack storage also. (If a 19" deep drainboard glassrack is required, please see 19" deep drainboard cabinets less doors on page 34.)

PRODUCT INFORMATION

(see DBGR Spec Sheet for complete details)

STANDARD FEATURES

- All stainless steel construction
- Adjustable stainless steel bullet feet
- One-piece seamless top, front rail and backsplash
- DBGR-18 and DBGR-24 have bottom shelf and one adjustable intermediate shelf
- DBGR-24-RS has roll-out bottom shelf and one roll-out intermediate shelf (intermediate shelf is not adjustable)
- Solid shelves are also usable for non-glassrack storage
- Work surface consists of a drainboard top with drain pan and separate perforated insert for better air circulation
- Intermediate shelf is still removable after unit is plumbed
- Smooth interior walls for easy cleaning and a finished appearance



DBGR-24-RS
(Glassrack not included)



DBGR-18

24" DEEP DRAINBOARD GLASSRACKS

MODEL	LIST	LENGTH	WEIGHT
DBGR-18	\$1,488	18"	80#
DBGR-24	\$1,645	24"	90#
DBGR-24-RS	\$2,408	24"	100#



DBCB-18

Drainboard Cabinets have a bottom shelf, adjustable intermediate shelf, and drainboard work surface. They are available with or without doors. The models with doors come with a lock standard. The 12", 18", and 24" wide models have one door and all other models have two doors.

NOTE: Drainboard Cabinets are also available with a flat stainless steel filler board top in lieu of the drainboard top. Substitute an 'F' for the 'D' in the model number when ordering and use the same price. Filler boards cabinets are manufactured to order and are not returnable.

PRODUCT INFORMATION

(see DBC Spec Sheet for complete details)

STANDARD FEATURES

- All stainless steel construction
- Adjustable stainless steel bullet feet
- One-piece seamless top, front rail and backsplash
- One bottom shelf and one adjustable intermediate shelf
- Shelves are removable and feature radius corners for easy cleaning
- Available with or without doors
- Doors feature integral handle
- Lock standard on models with doors
- Work surface consists of a drainboard top with drain pan and separate perforated insert for better air circulation
- Floor and intermediate shelf are still removable after unit is plumbed
- Smooth interior walls for easy cleaning and a finished appearance

Bar Fabrication - Main Line

19" DEEP DRAINBOARD CABINETS

MODEL	LIST	LENGTH	WEIGHT
DBCA-12	\$1,579	12"	75#
DBCA-18	\$1,781	18"	85#
DBCA-24	\$1,984	24"	95#
DBCA-30	\$2,229	30"	105#
DBCA-36	\$2,431	36"	115#
DBCA-42*	\$2,634	42"	125#
DBCA-48*	\$2,837	48"	135#

24" DEEP DRAINBOARD CABINETS

MODEL	LIST	LENGTH	WEIGHT
DBCB-12	\$1,605	12"	85#
DBCB-18	\$1,818	18"	95#
DBCB-24	\$2,029	24"	105#
DBCB-30	\$2,291	30"	115#
DBCB-36	\$2,503	36"	125#
DBCB-42*	\$2,714	42"	135#
DBCB-48*	\$2,928	48"	145#

19" DEEP DRAINBOARD CABINETS LESS DOORS

MODEL	LIST	LENGTH	WEIGHT
DBCA-12-LD	\$1,286	12"	60#
DBCA-18-LD	\$1,429	18"	70#
DBCA-24-LD	\$1,574	24"	80#
DBCA-30-LD	\$1,718	30"	90#
DBCA-36-LD	\$1,862	36"	100#
DBCA-42-LD*	\$2,007	42"	110#
DBCA-48-LD*	\$2,153	48"	120#

24" DEEP DRAINBOARD CABINETS LESS DOORS

MODEL	LIST	LENGTH	WEIGHT
DBCB-12-LD	\$1,331	12"	70#
DBCB-18-LD	\$1,488	18"	80#
DBCB-24-LD	\$1,645	24"	90#
DBCB-30-LD	\$1,799	30"	100#
DBCB-36-LD	\$1,955	36"	110#
DBCB-42-LD*	\$2,110	42"	120#
DBCB-48-LD*	\$2,269	48"	130#

*NOTE: These items are manufactured to order and are not returnable



DBHA-18-LD

PRODUCT INFORMATION

(see DBH Spec Sheet for complete details)

STANDARD FEATURES: All stainless steel construction • Adjustable stainless steel bullet feet • One-piece seamless top, front rail and backsplash • Available with or without a door • Door features integral handle • Lock standard on models with a door • Work surface consists of a drainboard top with drain pan and separate perforated insert for better air circulation • Floor is still removable after unit is plumbed and includes radius corners for easy cleaning • Smooth interior walls for easy cleaning and a finished appearance

Drainboard Half Cabinets increase the available storage area yet are still on 16" legs allowing room for cleaning underneath. Drainboard Half Cabinets have a bottom shelf and drainboard work surface. They are available with or without a door (use suffix '-LD' for models without a door). The models with a door include a lock standard.

NOTE: Drainboard Half Cabinets are also available with a flat stainless steel filler board top in lieu of the drainboard top. Substitute an 'F' for the 'D' in the model number when ordering and use the same price.

19" DEEP DRAINBOARD HALF CABINETS

MODEL	LIST	DOOR	LENGTH	WEIGHT
DBHA-12	\$1,106	Yes	12"	50#
DBHA-18	\$1,223	Yes	18"	55#
DBHA-24	\$1,365	Yes	24"	60#
DBHA-12-LD	\$948	No	12"	40#
DBHA-18-LD	\$1,056	No	18"	45#
DBHA-24-LD	\$1,179	No	24"	50#

24" DEEP DRAINBOARD HALF CABINETS

MODEL	LIST	DOOR	LENGTH	WEIGHT
DBHB-12	\$1,238	Yes	12"	60#
DBHB-18	\$1,360	Yes	18"	65#
DBHB-24	\$1,511	Yes	24"	70#
DBHB-12-LD	\$1,071	No	12"	50#
DBHB-18-LD	\$1,179	No	18"	55#
DBHB-24-LD	\$1,319	No	24"	60#

*NOTE: Drainboard Cabinets are manufactured to order and are not returnable

Bar Fabrication - Main Line

Drainboard Drawer Units*



DBDA-18

PRODUCT INFORMATION

(see DBD Spec Sheet for complete details)

STANDARD FEATURES: All stainless steel construction • Adjustable stainless steel bullet feet • One-piece seamless top, front rail and backsplash • Heavy duty drawer slides • Drawers feature integral handle • Lock standard • Work surface consists of a drainboard top with drain pan and separate perforated insert for better air circulation • Cabinet storage without sacrificing ability to have a speed rail†

Drainboard Drawer Units have a locking drawer and drainboard work surface. This allows for more storage space without sacrificing the ability to have a speed rail. The drawer pan is also removable for thorough cleaning.

NOTE: Drainboard Drawer Units are also available with a flat stainless steel filler board top in lieu of the drainboard top. Substitute an 'F' for the 'D' in the model number when ordering and use the same price.

† Special speed rails are required for use with drawer units. See accessories below.

19" DEEP DRAINBOARD DRAWER UNITS

MODEL	LIST	LENGTH	WEIGHT
DBDA-18	\$1,942	18"	60#
DBDA-24	\$2,162	24"	65#
DBDA-30	\$2,408	30"	70#

24" DEEP DRAINBOARD DRAWER UNITS

MODEL	LIST	LENGTH	WEIGHT
DBDB-18	\$2,155	18"	65#
DBDB-24	\$2,400	24"	70#
DBDB-30	\$2,660	30"	75#

*NOTE: Drainboard Drawer Units are manufactured to order and are not returnable

SPEED RAIL ACCESSORIES

MODEL	LIST	LENGTH	WEIGHT
SSR-18-D	\$197	18"	6#
SSR-24-D	\$215	24"	7#
SSR-30-D	\$231	30"	10#



ACB-18
(Shown without attached equipment)

PRODUCT INFORMATION

(see ACB Spec Sheet for complete details)

The Add-On Cabinet Base is designed to be installed beneath standard underbar equipment to provide additional storage • It can also enhance the look of your bar by eliminating the need to store loose items on the floor and making plumbing less visible • The Add-On Cabinet Base features a stainless steel floor that does not go all the way to the back of the cabinet, which provides an access opening for plumbing • The removable stainless steel floor has radius corners for easy cleaning • The interior walls are dual panel constructed for an easy to clean, smooth interior



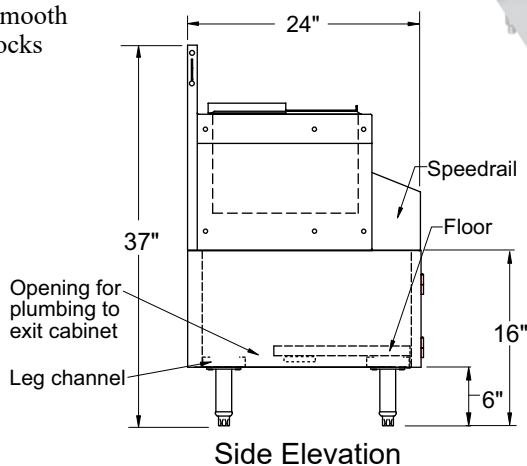
ACB-18 with LDA-18S attached

STANDARD FEATURES: All stainless steel construction • Can be mounted below any standard underbar unit • Enhance the look of your bar by making the plumbing less visible • Increase your available storage space by taking advantage of the area below your underbar • Includes a removable half floor to allow plumbing access out the bottom of the cabinet • Floor has radius corners for easy cleaning • Dual wall construction for smooth interior • Add-On Cabinet Bases do not come with door locks

ADD-ON CABINET BASES

MODEL	LIST	DOOR	LENGTH	WEIGHT
ACB-12	\$676	One	12"	20#
ACB-14	\$708	One	14"	22#
ACB-18	\$762	One	18"	25#
ACB-24	\$875	Two	24"	30#
ACB-30	\$987	Two	30"	35#
ACB-36	\$1,096	Two	36"	40#
ACB-42	\$1,208	Two	42"	45#
ACB-48	\$1,320	Two	48"	50#

*NOTE: Add-On Cabinet Bases are manufactured to order and are not returnable



Bar Fabrication - Main Line



PCB-24

PRODUCT INFORMATION

(see PCB Spec Sheet for complete details)

Available in 18" and 24" lengths, POS Cabinets have a 26" high work surface to accommodate a cash drawer and POS monitor • Left and right side splashes are standard as well as a louvered door to ventilate the storage cabinet • The work surface includes a grommeted cord access hole

STANDARD FEATURES

- All stainless steel construction with adjustable bullet feet
- One-piece, seamless top and backsplash
- Louvered door features integral handle
- Door lock standard
- Special 26" high work surface height to accommodate cash drawer and POS monitor
- Grommeted cord access hole in work surface
- Large access hole in back wall of unit
- Includes left and right side splashes
- Smooth interior walls for easy cleaning and a finished appearance

24" DEEP POS CABINETS

MODEL	LIST	LENGTH	WEIGHT
PCB-18	\$2,208	18"	80#
PCB-24	\$2,408	24"	90#

All faucets are certified low lead compliant

PRODUCT INFORMATION

(see HS, DHS, SW, SW Cabinets, and FS12 Spec Sheets for complete details)

STANDARD FEATURES: Manufactured with total welded construction to meet NSF® standards • All stainless steel construction • One-piece seamless top and backsplash featuring 1/4" radius corners for easy cleaning • Adjustable stainless steel bullet feet • 9-1/4" by 11-1/2" by 6" deep sink bowl with hot and cold water gooseneck faucet with 2.0 GPM aerator • Faucets are standard and ship mounted • Models with a foot-operated faucet option: HSA-12, HSA-12-D, HSB-12-AD (FOF-B) and HSB-12-D, DHSB-12 (FOF-D) • Models HSA-12-D, HSB-12-D, and HSB-12-AD feature a soap dispenser and front-skirt-mounted C-fold paper towel dispenser • Models DHSB-12, DHSB-18, and DHSB-18 feature a soap dispenser and hinged front-access door to conceal C-fold paper towel dispenser • All wet waste sink models include a lift-out perforated-plastic wet waste strainer • Soap dispenser is easily refilled from above, no need to crawl under equipment



HSA-12



HSA-12-D



HSA-12-D with LSA-D and RSA-D

Single bowl sinks are available as hand sinks and wet waste sink models. Hand sink models HSA-12, HSA-18, HSB-12, and HSB-18 feature a standard stainless steel bowl and mounted faucet.

Hand sink models HSA-12-D, HSB-12-D, and HSB-12-AD include a soap dispenser and front-skirt-mounted C-fold paper towel dispenser.

Hand sink models DHSB-12, DHSB-18, and DHSB-18 feature a soap dispenser and hinged front-access door to conceal C-fold paper towel dispenser. Paper towels are easily accessed below the door. The access door is only opened for re-loading paper towels into the dispenser.

Wet waste sink models SWA-12, SWA-18, and SWB-18 include a lift-out perforated plastic wet waste strainer.

19" DEEP HAND SINKS

MODEL	LIST	LENGTH	WEIGHT
HSA-12 ◦	\$1,319	12"	45#
HSA-18	\$1,338	18"	50#
HSA-12-D ◦	\$1,550	12"	50#
DHSA-18	\$1,840	18"	60#

◦ = Foot-operated backsplash faucet accessory option

19" DEEP WET WASTE SINKS

MODEL	LIST	LENGTH	WEIGHT
SWA-12	\$1,363	12"	47#
SWA-18	\$1,382	18"	52#

ACCESSORIES

MODEL	DESCRIPTION	LIST	WEIGHT
SSR-12†	12" single speed rail	\$166	4#
SSR-18†	18" single speed rail	\$183	6#
DSR-12†	12" double speed rail	\$330	8#
DSR-18†	18" double speed rail	\$361	12#
03000483	Wet waste sink strainer	\$44	2#
TR	Towel ring	\$15	1#
DWR-12†	Dry waste rail	\$174	6#
03000511	Wrist handles (set of two)	\$37	2#
DWC	Trash receptacle, stainless steel	\$389	10#
03005491	Trash receptacle, 28½ qt, gray plastic	\$55	5#
LSA-D	19" deep left end splash	\$118	4#
RSA-D	19" deep right end splash	\$118	4#
LSB-D	24" deep left end splash	\$138	5#
RSB-D	24" deep right end splash	\$138	5#
TD-C♦	Paper towel dispenser, C-fold	\$213	5#
03001873	Liquid soap dispenser, hand-pump	\$61	1#
03014739	Aerator, faucet, 1.5 GPM	\$11	1#
03014738	Aerator, faucet, 0.5 GPM	\$11	1#
03014737	Aerator, faucet, 0.2 GPM	\$11	1#
◦ FOF-B	Convert to foot-operated backsplash faucet for HSA-12, HSA-12-D, and HSB-12-AD models	\$439	3#
+ FOF-D	Convert to foot-operated deck faucet for HSB-12-D and DHSB-12 models	\$335	3#



LSA-D and RSA-D



TR

†NOTE: Speed rails and dry waste rails cannot be mounted to models:

- HSA-12-D
- DHSA-18
- HSB-12-D
- HSB-12-AD
- DHSB-12
- DHSB-18
- SWB-12-C
- SWB-18-DW
- SWB-18-DB
- SWB-24L-C
- SWB-24R-C

♦NOTE: TD-C Paper towel dispenser cannot be mounted to models:

- SWB-12-C
- SWB-18-DW
- SWB-18-DB
- SWB-24L-C
- SWB-24R-C

⚠ WARNING: The plastic wet waste strainer included with this product can expose you to chemicals including Bisphenol A (BPA), which is known to the State of California to cause birth defects or other reproductive harm. For more information, go to www.P65Warnings.ca.gov. **Warning applies to State of California only.** Part #03000483

All faucets are certified low lead compliant

24" DEEP HAND SINKS

MODEL	LIST	LENGTH	WEIGHT
HSB-12	\$1,379	12"	50#
HSB-18	\$1,447	18"	55#
HSB-12-D *	\$1,618	12"	55#
HSB-12-AD °	\$1,650	12"	55#
DHSB-12 *	\$1,819	12"	60#
DHSB-18	\$1,916	18"	70#

° = Foot-operated backsplash faucet accessory option
 * = Foot-operated deck faucet accessory option



Optional foot-operated faucets
FOF-B
 • HSA-12
 • HSA-12-D
 • HSB-12-AD

FOF-D
 • HSB-12-D
 • DHSB-12



24" DEEP WET WASTE SINKS

MODEL	LIST	LENGTH	WEIGHT
SWB-12	\$1,423	12"	52#
SWB-18	\$1,491	18"	57#

24" DEEP MULTI-PURPOSE SINKS

MODEL	LIST	LENGTH	WEIGHT
FS12 °	\$2,909	12"	75#
SWB-12-C	\$2,068	12"	75#
SWB-18-DW	\$2,315	18"	85#
SWB-18-DB	\$1,865	18"	65#
SWB-24L-C*	\$2,756	24"	105#
SWB-24R-C*	\$2,756	24"	105#

° = Foot-operated backsplash faucet accessory option
 *L = Sink Left, R = Sink Right



FS12 protected by one or more patents. For more information visit: <https://www.glastender.com/patents>



SWB-18-DB - Tiered unit includes an upper drainboard deck for storing glassware and a lower sink with a faucet and lift-out perforated plastic wet waste strainer.

SWB-24L-C



SWB-24R-C

⚠ WARNING: The plastic wet waste strainer included with this product can expose you to chemicals including Bisphenol A (BPA), which is known to the State of California to cause birth defects or other reproductive harm. For more information, go to www.P65Warnings.ca.gov. **Warning applies to State of California only.** Part #03000483

Bar Fabrication - Main Line

All faucets are certified low lead compliant

PRODUCT INFORMATION

(see DS, TS, and FS Spec Sheets for complete details)

- Compartment Sinks come in three different varieties: two, three, and four compartment
- They feature an exclusive one-piece 18 gauge stainless steel top that is seamless from the front rail all the way through the backsplash
- Each variety is offered with or without built-in drainboards on one or both sides of the sink compartment
- Drainboards, where included, are a seamless and integral part of the work surface
- The seamless welded bowls are 16 gauge fabricated stainless steel
- An 'L' or 'R' suffix in the model number designates the location of the sink compartment as left or right when there is only one drainboard

STANDARD FEATURES

- All stainless steel construction and stainless steel bullet feet
- One-piece seamless top, front rail and backsplash
- 16 gauge stainless steel fabricated sink bowls
- 19" deep models have a backsplash mounted faucet
- Integral drainboards have lift-out stainless steel perforated insert
- Perforated stainless steel inserts are available to cover sinks when not in use
- Includes one overflow tube per bowl

TWO COMPARTMENT SINKS WITH STAINLESS SINK SECTION

19" DEEP		24" DEEP		OVERALL LENGTH	SINK LOCATION	DRAINBOARD LENGTH	WEIGHT
MODEL	LIST	MODEL	LIST				
DSA-24-S*	\$2,342	DSB-24-S*	\$2,336	24"	Center	N/A	90#
DSA-36L-S*	\$2,550	DSB-36L-S*	\$2,568	36"	Left	12"	100#
DSA-36R-S*	\$2,550	DSB-36R-S*	\$2,568	36"	Right	12"	100#
DSA-48-S*	\$2,731	DSB-48-S*	\$2,815	48"	Center	2 @ 12"	110#

THREE COMPARTMENT SINKS WITH STAINLESS SINK SECTION

19" DEEP		24" DEEP		OVERALL LENGTH	SINK LOCATION	DRAINBOARD LENGTH	WEIGHT
MODEL	LIST	MODEL	LIST				
TSA-36-S	\$2,707	TSB-36-S	\$2,726	36"	Center	N/A	110#
TSA-48L-S*	\$2,891	TSB-48L-S*	\$2,956	48"	Left	12"	120#
TSA-48R-S*	\$2,891	TSB-48R-S*	\$2,956	48"	Right	12"	120#
TSA-60-S	\$3,091	TSB-60-S	\$3,192	60"	Center	2 @ 12"	130#
TSA-60L-S*	\$3,091	TSB-60L-S*	\$3,192	60"	Left	24"	130#
TSA-60R-S*	\$3,091	TSB-60R-S*	\$3,192	60"	Right	24"	130#
TSA-66L-S*	\$3,167	TSB-66L-S*	\$3,289	66"	Left	30"	140#
TSA-66R-S*	\$3,167	TSB-66R-S*	\$3,289	66"	Right	30"	140#
TSA-72-S	\$3,252	TSB-72-S	\$3,384	72"	Center	2 @ 18"	145#
TSA-84-S*	\$3,477	TSB-84-S*	\$3,647	84"	Center	2 @ 24"	160#
TSA-96-S*	\$3,657	TSB-96-S*	\$3,867	96"	Center	2 @ 30"	175#

FOUR COMPARTMENT SINKS WITH STAINLESS SINK SECTION

19" DEEP		24" DEEP		OVERALL LENGTH	SINK LOCATION	DRAINBOARD LENGTH	WEIGHT
MODEL	LIST	MODEL	LIST				
FSA-48-S	\$3,328	FSB-48-S	\$3,375	48"	Center	N/A	125#
FSA-60L-S*	\$3,514	FSB-60L-S*	\$3,597	60"	Left	12"	140#
FSA-60R-S*	\$3,514	FSB-60R-S*	\$3,597	60"	Right	12"	140#
FSA-66L-S*	\$3,604	FSB-66L-S*	\$3,709	66"	Left	18"	150#
FSA-66R-S*	\$3,604	FSB-66R-S*	\$3,709	66"	Right	18"	150#
FSA-72-S	\$3,715	FSB-72-S	\$3,815	72"	Center	2 @ 12"	155#
FSA-72L-S*	\$3,715	FSB-72L-S*	\$3,815	72"	Left	24"	155#
FSA-72R-S*	\$3,715	FSB-72R-S*	\$3,815	72"	Right	24"	155#
FSA-84-S*	\$3,926	FSB-84-S*	\$4,074	84"	Center	2 @ 18"	170#
FSA-96-S*	\$4,111	FSB-96-S*	\$4,289	96"	Center	2 @ 24"	185#

ACCESSORIES

MODEL	DESCRIPTION	LIST	WGT
SSR-24	24" single speed rail	\$200	9#
SSR-36	36" single speed rail	\$233	12#
SSR-48	48" single speed rail	\$267	18#
SSR-60	60" single speed rail	\$408	28#
SSR-66	66" single speed rail	\$425	32#
SSR-72	72" single speed rail	\$441	35#
SSR-84	84" single speed rail	\$476	42#
DSR-24	24" double speed rail	\$390	14#
DSR-36	36" double speed rail	\$455	24#
DSR-48	48" double speed rail	\$526	44#
DSR-60	60" double speed rail	\$726	56#
DSR-66	66" double speed rail	\$766	64#
DSR-72	72" double speed rail	\$798	70#
DSR-84	84" double speed rail	\$863	84#
TR	Towel ring	\$15	1#
LWS	Large wet waste strainer	\$114	2#
DWR-12	Dry waste rail	\$174	6#
03002552	Sink cover, perforated for DSA or DSB	\$114	5#
03002553	Sink cover, perforated for TSA or TSB	\$171	8#
03002554	Sink cover, perforated for FSA or FSB	\$229	12#



*NOTE: These Compartment Sink Units are manufactured to order and are not returnable

PRODUCT INFORMATION
(see Mixology Units Spec Sheet for complete details)

STANDARD FEATURES

- Manufactured with total welded construction to meet NSF® standards
- All stainless steel construction
- One-piece seamless top and backsplash featuring 1/4" radius corners for easy cleaning
- Adjustable stainless steel bullet feet (does not include MFT-8)
- All faucets are shipped mounted
- Backsplash faucet may be converted to foot-operated. Specify accessory number FOF-B (does not include MFT-8).

All faucets are certified low lead compliant

⚠ WARNING: The plastic wet waste strainer included with this product can expose you to chemicals including Bisphenol A (BPA), which is known to the State of California to cause birth defects or other reproductive harm. For more information, go to www.P65Warnings.ca.gov. Part #03000483
Warning applies to State of California only.



MTS-14 MIXOLOGY UNIT

Includes 9-1/4" by 11-1/2" by 6" deep sink, backsplash-mounted faucet, lift-out perforated plastic sink strainer, push-down rinser faucet, and 6" diameter mixology tool well with faucet.

MODEL	LIST	LENGTH	WEIGHT
MTS-14	\$2,695	14"	55#

MTS-14



MRS-12

MRS-12 MIXOLOGY UNIT

Includes 9-1/4" by 11-1/2" by 6" deep sink, backsplash-mounted faucet, lift-out perforated plastic sink strainer, and push-down rinser faucet.

MODEL	LIST	LENGTH	WEIGHT
MRS-12	\$1,823	12"	55#



MFS-12

MFS-12 MIXOLOGY UNIT

Includes 9-1/4" by 11-1/2" by 6" deep sink, backsplash-mounted faucet, lift-out perforated plastic sink strainer, and 8" by 11" securely mounted and easily removable cutting board.

MODEL	LIST	LENGTH	WEIGHT
MFS-12	\$1,694	12"	55#



MFT-8

MFT-8 MIXOLOGY UNIT

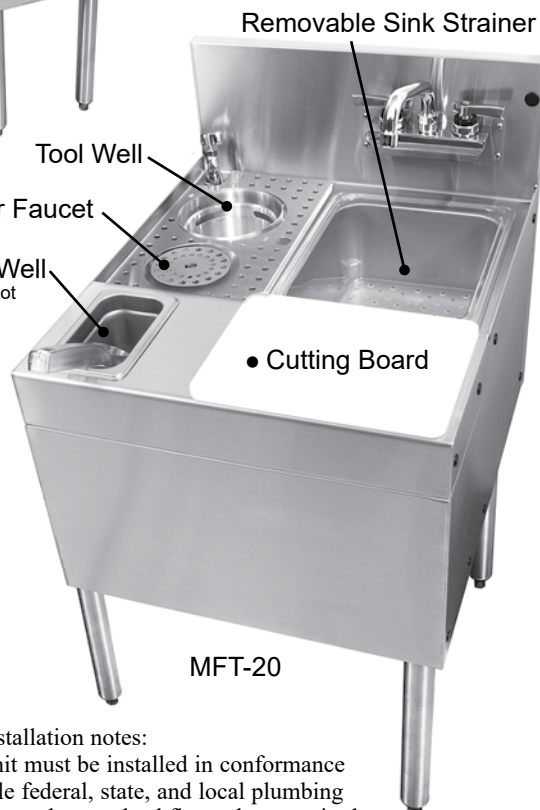
Includes 6" diameter mixology tool well with faucet, push-down rinser faucet, and 7-1/2" by 7-1/2" securely mounted and easily removable cutting board. NOTE: No legs. Must mount to adjacent underbar.

MODEL	LIST	LENGTH	WEIGHT
MFT-8	\$1,803	8"	40#

MFT-20 MIXOLOGY UNIT

Includes 9-1/4" by 11-1/2" by 6" deep sink, backsplash-mounted faucet, lift-out perforated plastic sink strainer, push-down rinser faucet, 6" diameter mixology tool well with faucet, 8" by 11" securely mounted and easily removable cutting board, and removable ice scoop well.

MODEL	LIST	LENGTH	WEIGHT
MFT-20	\$2,954	20"	65#



MFT-20

ACCESSORIES

MODEL	DESCRIPTION	LIST	WEIGHT
LSM	Left end splash, MFS-12, MFT-8 or MFT-20	\$118	4#
RSM	Right end splash, MFS-12, MFT-8 or MFT-20	\$118	4#
LSB-D	24" deep left end splash	\$138	5#
RSB-D	24" deep right end splash	\$138	5#
FOF-B	Convert to foot-operated back-splash faucet (excludes MFT-8 model)	\$439	3#

Rinser faucet installation notes:

- Important: Unit must be installed in conformance with applicable federal, state, and local plumbing codes, including adequate backflow when required.
- Must install backflow prevention device conforming to ANSI/ASSE 1022 or ANSI/ASSE 1024 to meet plumbing code (not included).
- Install in-line water regulator (included).
- A separate shut-off valve is recommended (not included).

Bar Fabrication - Main Line

All faucets are certified low lead compliant

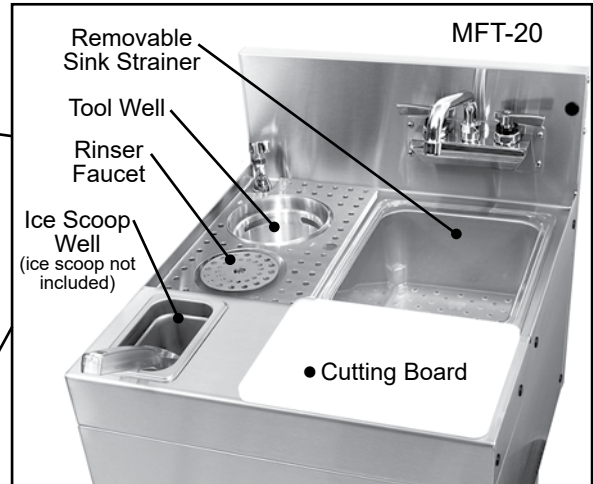
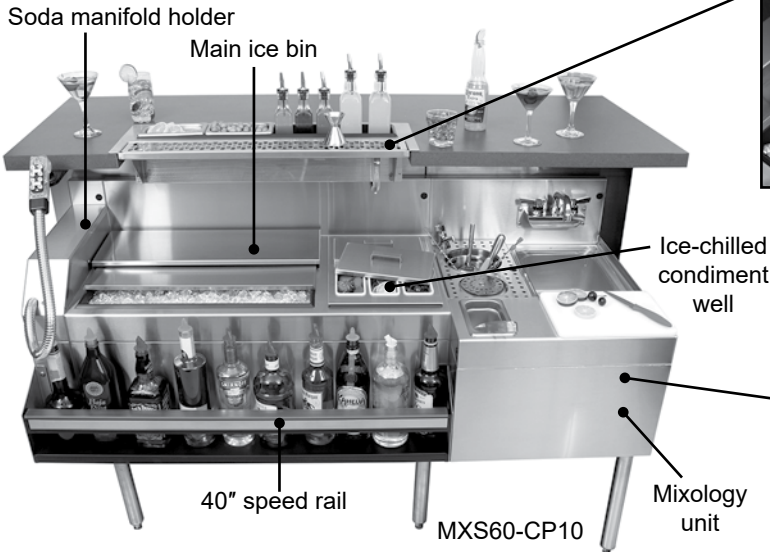
Mixology Stations include the following standard features:

- 4" soda manifold holder
- 24" main ice bin liner
- 12" condiment well
- Single speed rail
- 20" mixology unit

*NOTE: Mixology stations are manufactured to order and are not returnable

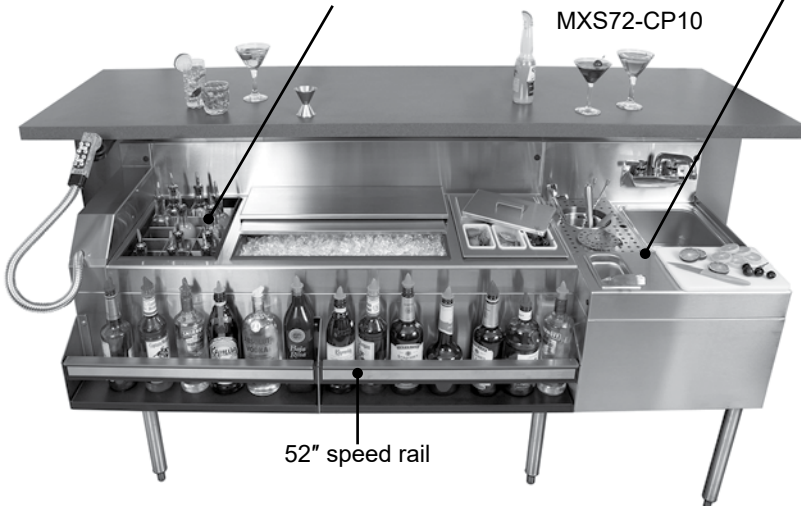


Drop-in mixology drink rail
(See next page for drop-in mixology wells)



What is different about the 72" mixology station?

The MXS72-CP10 mixology station is 12" longer, because it also includes a 12" elixir bottle well.



PRODUCT INFORMATION

(see MXS Spec Sheet for complete details)

STANDARD FEATURES

- All stainless steel construction
- Complete line up is flush at 24" deep to match adjacent underbar
- The SMHA-4 soda manifold housing is designed to house the manifold of Wunder-Bar® or Schroeder America™ 8 to 14 button soda guns
- The condiment well and ice bin are foamed-in-place insulated and include a PVC plastic breaker strip around the liner to prevent thermal transfer so ice lasts longer
- The ice bin includes a built-in ten circuit cold plate, sliding stainless steel cover, and stainless steel ice bin divider
- The condiment well provides ice-chilled storage for six pint-size (16 oz.) condiment cups and includes two lift-off stainless steel covers
- A single speed rail is included
- The MFT-20 model mixology unit includes a push-down rinser faucet to rinse shaker cans, a lift-out perforated plastic sink strainer, a 6" diameter seamless welded draining dipper well and faucet for mixology tools, an 8" x 11" cutting board that is securely mounted but easily removable for cleaning, and an ice scoop well
- The MXS72-CP10 model also includes an elixir bottle well with BRM15 stainless steel rack to hold 15 elixir bottles (NOTE: Recommend Tablecraft 916 (16 oz.) or 9085 (8.5 oz.) olive oil bottles)

MIXOLOGY STATION

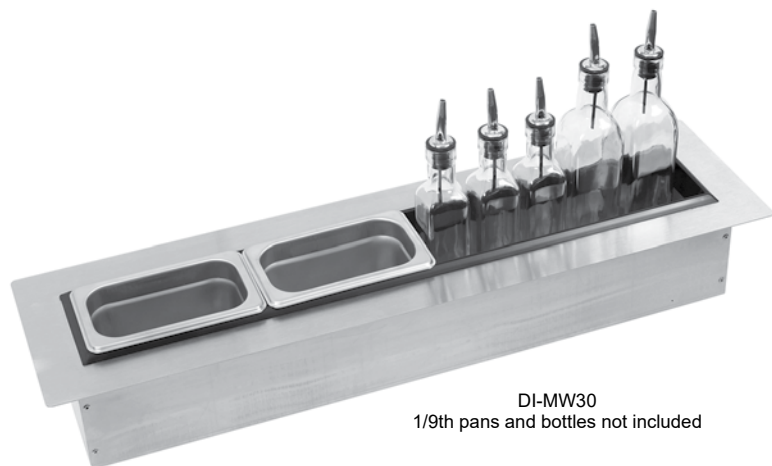
MODEL	LIST	LENGTH	WEIGHT
MXS60-CP10	\$7,880	60"	279#
MXS72-CP10	\$8,987	72"	322#

Rinser faucet installation notes:

- Important: Unit must be installed in conformance with applicable federal, state, and local plumbing codes, including adequate backflow when required.
- Must install backflow prevention device conforming to ANSI/ASSE 1022 or ANSI/ASSE 1024 to meet plumbing code (not included).
- Install in-line water regulator (included).
- A separate shut-off valve is recommended (not included).

WARNING: The plastic wet waste strainer included with this product can expose you to chemicals including Bisphenol A (BPA), which is known to the State of California to cause birth defects or other reproductive harm. For more information, go to www.P65Warnings.ca.gov. **Warning applies to State of California only.** Part #03000483

Bar Fabrication - Main Line



DI-MW30
1/9th pans and bottles not included

DROP-IN MIXOLOGY WELLS

MODEL	LIST	LENGTH	WEIGHT
DI-MW24	\$842	24"	13#
DI-MW30	\$894	30"	16#
DI-MW36	\$948	36"	19#

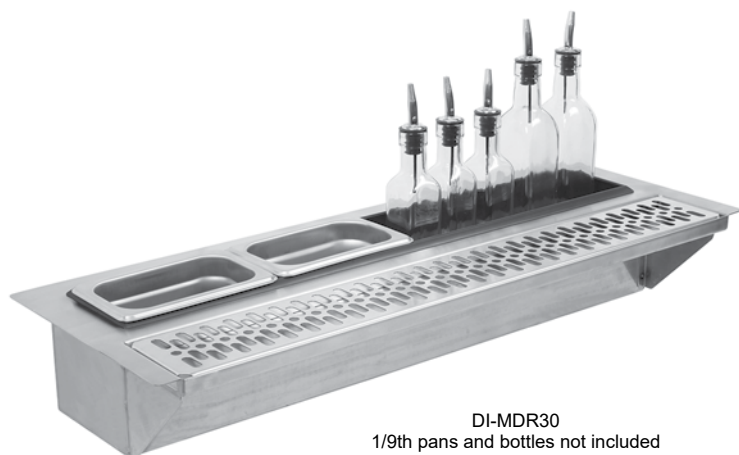
PRODUCT INFORMATION

(see DI-MW Spec Sheet for complete details)

STANDARD FEATURES:

- Stainless steel top and interior liner
- PVC plastic breaker strip around well liner: creates 5/16" raised edge around liner and acts as thermal barrier to prevent heat transfer
- Stainless steel exterior wrap
- 4" deep well liner is 3-5/8" front-to-back
- Designed to hold up to 3-1/2" wide bottles or 1/9th pans
- Installation kit includes: 10' of clear vinyl drain tube, five - 4" Ty-wraps, one - 1/2" PVC elbow, one - 1/2" nylon elbow, and one drainline splicer

Drop-In Mixology Drink Rails



DI-MDR30
1/9th pans and bottles not included

DROP-IN MIXOLOGY DRINK RAILS

MODEL	LIST	LENGTH	WEIGHT
DI-MDR24	\$1,270	24"	16#
DI-MDR30	\$1,332	30"	20#
DI-MDR36	\$1,398	36"	24#

PRODUCT INFORMATION

(see DI-MDR Spec Sheet for complete details)

STANDARD FEATURES

- Stainless steel top and interior liner
- PVC plastic breaker strip around ice bin liner: creates 5/16" raised edge around liner and acts as thermal barrier to prevent heat transfer
- One-piece top includes drain pan with removable perforated insert
- Stainless steel exterior wrap
- 4" deep well liner is 3-5/8" front-to-back
- Designed to hold up to 3-1/2" wide bottles or 1/9th pans
- Installation kit includes: 10' of clear vinyl drain tube, seven - 4" Ty-wraps, one - 1/2" PVC tee, one - 1/2" nylon elbow, and two drainline splicers

Bar Fabrication - Main Line

PRODUCT INFORMATION

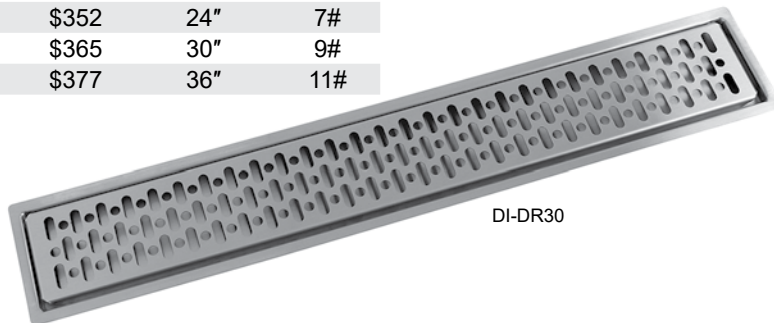
(see DI-DR Spec Sheet for complete details)

STANDARD FEATURES:

- All stainless steel construction
- Available in 24", 30", or 36" lengths
- Drain is a 1/2" welded tailpiece that exits from the bottom of the unit
- Drain pan includes 1/2" flange
- Installation kit includes: 10' of clear vinyl drain tube, five - 4" Ty-wraps, and two - 1/2" plastic elbows

DROP-IN DRINK RAILS

MODEL	LIST	LENGTH	WEIGHT
DI-DR24	\$352	24"	7#
DI-DR30	\$365	30"	9#
DI-DR36	\$377	36"	11#



DI-DR30

Undercounter Mount Rinsers Faucet

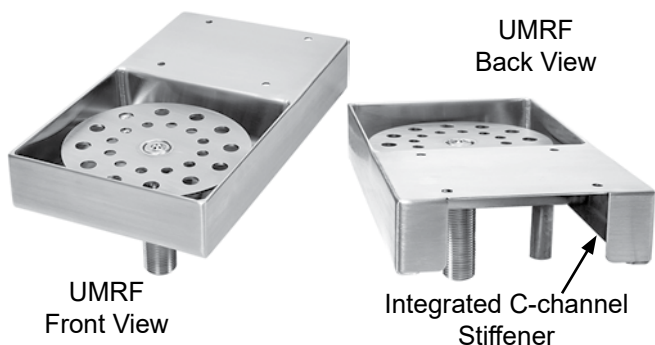
Pricing effective December 1, 2020

PRODUCT INFORMATION

(see UMRF Spec Sheet for complete details)

STANDARD FEATURES:

- All 18 gauge stainless steel construction
- Pan includes radius interior corners for easy cleaning
- Total welded construction with integrated C-channel sides for incredible rigidity
- Installation kit for plumbing 1/2" tailpiece drain - includes 10' of vinyl drain tube, (3) ty wraps, (1) elbow, (1) elbow to drain-line adaptor, (4) #10 x 1/2 screws
- Rear deck area with pre-punched screw holes for mounting to underside of bar top



Rinsers faucet installation notes:

- Important: Unit must be installed in conformance with applicable federal, state, and local plumbing codes, including adequate backflow when required.
- Must install backflow prevention device conforming to ANSI/ASSE 1022 or ANSI/ASSE 1024 to meet plumbing code (not included).
- Install in-line water regulator (included).
- A separate shut-off valve is recommended (not included).

UMRF

MODEL	LIST	WEIGHT	WIDTH	DEPTH	HEIGHT
UMRF	\$585	8#	5"	9"	1-1/2"

Drop-In Rinsers Faucets

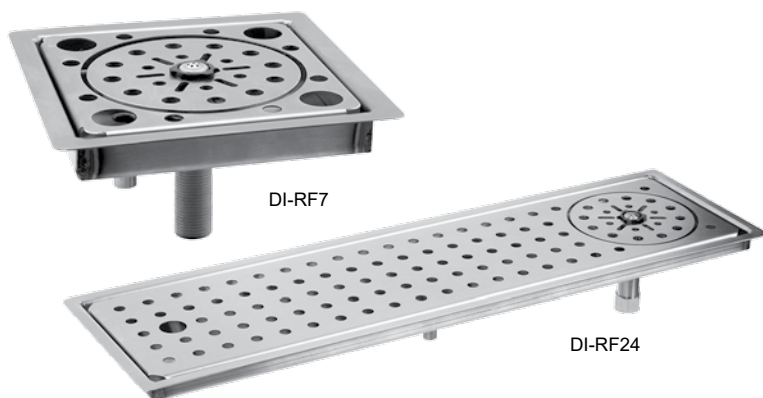
Pricing effective December 1, 2020

PRODUCT INFORMATION

(see DI-RF Spec Sheet for complete details)

STANDARD FEATURES:

- All stainless steel construction
- Pan includes radius corners for easy cleaning
- Drain is a 1/2" welded tailpiece that exits from the bottom of the unit
- Drain pan includes 1/2" flange
- Installation kit includes: 10' of clear vinyl drain tube, five - 4" Ty-wraps, and two - 1/2" plastic elbows



Rinsers faucet installation notes:

- Important: Unit must be installed in conformance with applicable federal, state, and local plumbing codes, including adequate backflow when required.
- Must install backflow prevention device conforming to ANSI/ASSE 1022 or ANSI/ASSE 1024 to meet plumbing code (not included).
- Install in-line water regulator (included).
- A separate shut-off valve is recommended (not included).

DROP-IN DRINK RAILS

MODEL	LIST	LENGTH	WEIGHT
DI-RF7	\$608	7"	8#
DI-RF12	\$625	12"	10#
DI-RF18	\$643	18"	12#
DI-RF24	\$660	24"	14#



DR-36L

DRINK RAILS

MODEL	LIST	LENGTH	DRAIN	WEIGHT
DR-12L	\$352	12"	Left	7#
DR-12R	\$352	12"	Right	7#
DR-18L	\$373	18"	Left	8#
DR-18R	\$373	18"	Right	8#
DR-24L	\$393	24"	Left	9#
DR-24R	\$393	24"	Right	9#
DR-30L	\$419	30"	Left	11#
DR-30R	\$419	30"	Right	11#
DR-36L	\$438	36"	Left	13#
DR-36R	\$438	36"	Right	13#
DR-42L	\$462	42"	Left	15#
DR-42R	\$462	42"	Right	15#
DR-48L	\$483	48"	Left	18#
DR-48R	\$483	48"	Right	18#

Conveniently mounts to underside of bar top to provide stainless steel draining drink rail.

PRODUCT INFORMATION

(see DR Spec Sheet for complete details)

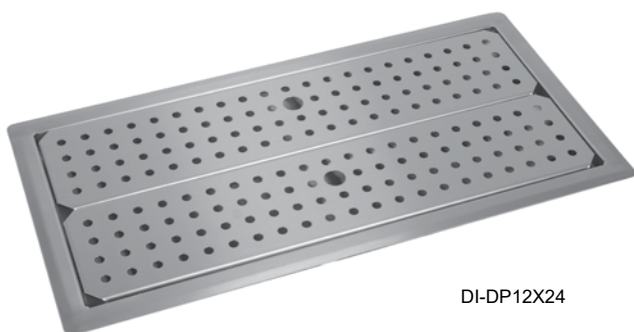
STANDARD FEATURES: All stainless steel construction • 18 gauge stainless steel pan with removable perforated insert (corner units are flat fillers) • 30" and 36" models have one gusset and 42" and 48" models have two gussets for added strength • Drain consists of 1/2" welded tailpiece that exits from the back of the unit • 45° and 90° inside and outside corner filler sections available • Installation kit includes: 10' of clear vinyl drain tube, one 4" Ty-wrap, three #10 x 1/2" stainless steel wood screws, three cable clamps and one 1/2" x 1/2" x 1/2" plastic tee

INSIDE AND OUTSIDE CORNER FILLERS

MODEL	DESCRIPTION	LIST	WEIGHT
DR-IC45	45° inside corner filler	\$211	8#
DR-IC90	90° inside corner filler	\$218	10#
DR-OC45	45° outside corner filler	\$211	8#
DR-OC90	90° outside corner filler	\$218	10#

*NOTE: Drink Rails are manufactured to order and are not returnable

Drop-In Drain Pans*



DI-DP12X24

Drain pan drops into a cut-out in your bartop to provide a stainless steel draining work surface.

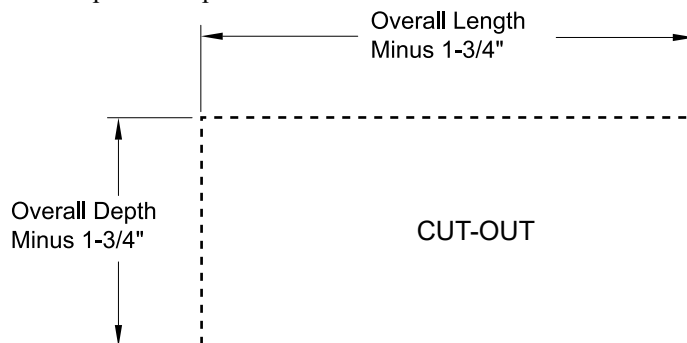
DROP-IN DRAIN PANS

MODEL	OVERALL DIMENSIONS	LIST	WEIGHT
DI-DP12X24	12" x 24"	\$445	14#
DI-DP12X30	12" x 30"	\$479	16#
DI-DP12X36	12" x 36"	\$514	18#
DI-DP12X42	12" x 42"	\$561	20#
DI-DP12X48	12" x 48"	\$614	22#
DI-DP18X24	18" x 24"	\$549	18#
DI-DP18X30	18" x 30"	\$593	21#
DI-DP18X36	18" x 36"	\$666	24#
DI-DP18X42	18" x 42"	\$745	27#
DI-DP18X48	18" x 48"	\$824	30#

*NOTE: Drop-In Drain Pans are manufactured to order and are not returnable

PRODUCT INFORMATION
(see DI-DP Spec Sheet for complete details)

STANDARD FEATURES: All stainless steel construction • 18 gauge stainless steel pan with removable perforated inserts • Available in standard widths of 12" or 18" and lengths from 24" to 48". Custom sizes also available • Drain consists of 1/2" welded tailpiece that exits from the bottom of the unit • Drain pan flange includes self-rimming edge for tight fit to work surface • Installation kit includes: 10' of clear vinyl drain tube, one 4" Ty-wrap, three #10 x 1/2" stainless steel wood screws, three #10 x 1/2" black sheet metal screws, three cable clamps, two 1/2" x 1/2" plastic elbows • Cut-out dimensions are 1-3/4" smaller than the outer flange dimensions • Install by making cut-out in work surface, apply silicone sealant to edge of unit, set in place and plumb drain line



EXAMPLE: A DI-DP12X24 which measures 12" x 24" would require a cut-out size of 10-1/4" x 22-1/4"

Bar Fabrication - Main Line

Liquor Steps provide tiered liquor bottle storage at a height convenient for bartender use. They maintain the same easy-to-clean, open step and rail design as a speed rail. Each step and rail has PVC sound deadening covers and each rail includes a clear lift-off liquor-identification cover. The 24" deep models provide four levels of storage front to back and the 29" deep models provide five levels.

Liquor steps cannot have a speed rail mounted to them. Since speed rails are so common on underbar, liquor steps have been designed to align with underbar that has a speed rail. The four different liquor steps styles are based on the four different equipment-mounting situations.

PRODUCT INFORMATION

(see LD Spec Sheet for complete details)

STANDARD FEATURES

- Easily-usable height for storage
- All stainless steel construction and stainless steel bullet feet
- Includes radius interior corners for easy cleaning
- Four (4) levels of liquor bottle storage for 24" deep models and five (5) levels for 29" deep models
- Bottle retaining rails with clear lift-off liquor-identification cover
- Open step-and-rail design for easy cleaning and better view of bottles
- Locking covers are available for each individual row - see Locking Speed Rail Covers on page 26
- Matches speed rail design for continuity
- Specially designed side profiles to align with four different equipment-mounting situations
- Rear step on each model is extra wide for specialty liquor bottles



LDA-18S



LDB-18

24" DEEP LIQUOR STEPS

(Aligns with 19" deep underbar that has a single speed rail)

MODEL	LIST	LENGTH	WEIGHT
LDA-12S	\$1,227	12"	50#
LDA-18S	\$1,343	18"	60#
LDA-24S	\$1,463	24"	70#
LDA-30S*	\$1,580	30"	80#
LDA-36S*	\$1,697	36"	90#
LDA-42S*	\$1,815	42"	100#

24" DEEP LIQUOR STEPS

(Aligns with 24" deep underbar that has no speed rail)

MODEL	LIST	LENGTH	WEIGHT
LDB-12	\$1,227	12"	50#
LDB-18	\$1,343	18"	60#
LDB-24	\$1,463	24"	70#
LDB-30*	\$1,580	30"	80#
LDB-36*	\$1,697	36"	90#
LDB-42*	\$1,815	42"	100#



LDA-18D



LDB-18S

29" DEEP LIQUOR STEPS

(Aligns with 19" deep underbar that has a double speed rail)

MODEL	LIST	LENGTH	WEIGHT
LDA-12D	\$1,376	12"	55#
LDA-18D	\$1,512	18"	65#
LDA-24D	\$1,646	24"	75#
LDA-30D*	\$1,789	30"	85#
LDA-36D*	\$1,925	36"	95#
LDA-42D*	\$2,063	42"	105#

29" DEEP LIQUOR STEPS

(Aligns with 24" deep underbar that has a single speed rail)

MODEL	LIST	LENGTH	WEIGHT
LDB-12S	\$1,376	12"	55#
LDB-18S	\$1,512	18"	65#
LDB-24S	\$1,646	24"	75#
LDB-30S*	\$1,789	30"	85#
LDB-36S*	\$1,925	36"	95#
LDB-42S*	\$2,063	42"	105#

*NOTE: These liquor steps are manufactured to order and are not returnable

PRODUCT INFORMATION

(see SLD Spec Sheet for complete details)

STANDARD FEATURES

- All stainless steel construction
- One-piece seamless top, front rail and backsplash
- Radius work surface corners for easy cleaning
- For use with 20" by 20" racks for easy removal and storage of liquor bottles

EXTRA CABINET MODEL FEATURES

- Includes locking cabinet base for storing liquor when not in use
- Includes four 2" casters
- Removable floor with radius corners for easy cleaning
- Cabinet features dual-wall construction for a smooth interior
- Integral door handle and door lock standard



SLD-24



SLDC-24

SLANTED LIQUOR DISPLAYS

MODEL	LIST	LENGTH	WEIGHT
SLD-24	\$926	24"	55#
SLDC-24	\$1,900	24"	85#

*NOTE: Slanted Liquor Displays are manufactured to order and are not returnable

Island Oasis® Stand

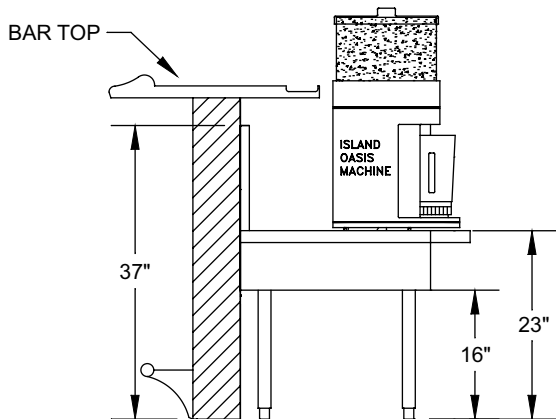
The Glastender Island Oasis® Stand is designed for use with the model number SB-3X Island Oasis® machine. The 18" wide by 29" deep stand has a lowered draining work surface and extended front to allow the machine to be stored at a convenient and usable height. In most bar applications, the clear plastic ice container will be visible above the bar top.

PRODUCT INFORMATION

(see IOS Spec Sheet for complete details)

STANDARD FEATURES

- All stainless steel construction
- Adjustable stainless steel bullet feet
- Radius work surface corners for easy cleaning
- One-piece seamless top and backsplash
- 1" deep drain pan work surface to capture excess moisture
- Chamfered front to eliminate "knee knockers"



Installation Side Elevation



IOS-18

ISLAND OASIS® STAND

MODEL	LIST	LENGTH	WEIGHT
IOS-18	\$1,107	18"	50#

Bar Fabrication - Main Line



DWB-12 shown in an installation setting with optional trash receptacle



DWB-15L shown in an installation setting with optional trash receptacle



DWB-18 with optional trash receptacle

PRODUCT INFORMATION

(see DW Spec Sheet for complete details)

There are four different Dry Waste Chute models to meet various installation requirements • For all four models, the top lifts up for emptying the trash receptacle • The top also lifts off completely for more thorough cleaning • The DWB-12 is designed for mounting between two adjacent pieces of Glastender underbar • The DWB-15L and DWB-15R include a left or right side and leg set, respectively, for mounting to just one piece of Glastender underbar • The DWB-18 is free standing • All models are designed to house a Rubbermaid® Slim Jim™ trash receptacle and are available from Glastender

24" DEEP DRY WASTE CHUTES

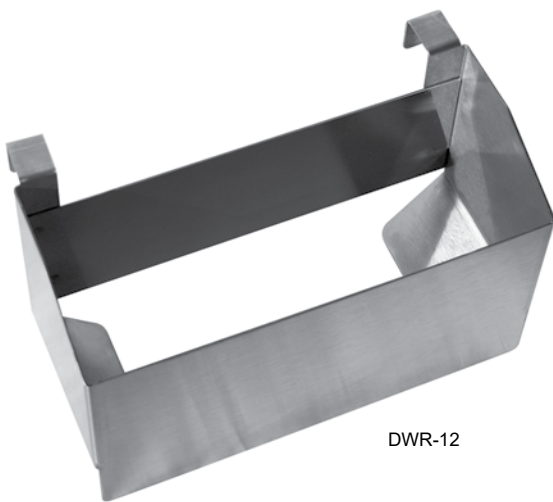
MODEL	LIST	LEG POSITION	LENGTH	WEIGHT
DWB-12	\$640	N/A	12"	30#
DWB-15L	\$1,011	Left	15"	45#
DWB-15R	\$1,011	Right	15"	45#
DWB-18*	\$1,438	Left & Right	18"	60#

ACCESSORIES

MODEL	DESCRIPTION	LIST	WGT
03000497	Slim Jim trash receptacle	\$188	10#

*NOTE: DWB-18 Dry Waste Chutes are manufactured to order and are not returnable

Dry Waste Rail



DWR-12

PRODUCT INFORMATION

(see DWR Spec Sheet for complete details)

- A Dry Waste Rail is 12" wide, 5" deep, and looks like a speed rail, but it is actually a removable stainless steel chute
- A 16" high or shorter trash receptacle is placed under the dry waste rail and the chute directs the refuse into the receptacle
- Dry waste rails cannot be used on Cabinets, Glassracks, or Ice Cream Freezers

DRY WASTE RAIL

MODEL	LIST	LENGTH	WEIGHT
DWR-12	\$174	12"	6#

ACCESSORIES

MODEL	DESCRIPTION	LIST	WGT
DWC	Trash receptacle, stainless steel	\$389	5#
03005491	Trash receptacle, 28½ qt, gray plastic	\$55	5#

All faucets are certified low lead compliant



FRA-24

ACCESSORIES

MODEL	DESCRIPTION	LIST	WGT
SSR-24	24" single speed rail	\$200	7#
SSR-36	36" single speed rail	\$233	12#
DSR-24	24" double speed rail	\$390	14#
DSR-36	36" double speed rail	\$455	24#
CE-220/50S	Convert self-contained unit to 220V/50Hz electrical	\$194	N/A

19" DEEP ICE CREAM FREEZERS

MODEL	LIST	LENGTH	WEIGHT
FRA-24	\$4,146	24"	140#
FRA-36	\$4,747	36"	175#

24" DEEP ICE CREAM FREEZERS

MODEL	LIST	LENGTH	WEIGHT
FRB-24	\$4,273	24"	150#
FRB-36	\$4,874	36"	185#

PRODUCT INFORMATION

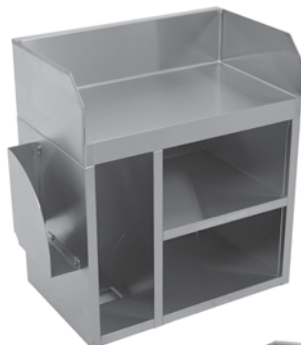
(see FR Spec Sheet for complete details)

STANDARD FEATURES: All stainless steel construction • Foamed-in-place insulation • 6" diameter seamless welded draining dipper well and faucet • Six-foot grounded cord and plug provided • 24" wide models hold one 3-gallon container • 36" wide models hold two 3-gallon containers • One-piece seamless top and backsplash

ELECTRICAL: 120V, 1 phase, 60 Hz, 4.75 full load amps • Dedicated 15 amp circuit is recommended • Includes 6-foot grounded cord and plug

REFRIGERATION: Operating range -5°F to 10°F • 1/4 HP, R404a refrigerant

CAPACITY: FRA-24 and FRB-24 models hold one 3-gallon container • FRA-36 and FRB-36 models hold two 3-gallon containers



WS24

Wait Stations mount to the server side of the bar die for convenient storage of common server items. No plumbing required. Includes wall-mounting bracket.

*NOTE: Wait stations are manufactured to order and are not returnable



WS36-S

(shown with optional WPH)

24" AND 36" WAIT STATIONS

MODEL	LIST	LENGTH	DEPTH	WEIGHT
WS24	\$1,541	24"	15"	70#
WS36	\$1,708	36"	15"	90#
WS36-S†	\$2,103	36"	15"	95#

† WS36-S includes stainless steel bowl and removable plastic washrag basin.

PRODUCT INFORMATION

(see WS Spec Sheet for complete details)

STANDARD FEATURES: All stainless steel construction • Integrated back and side splashes • Radius work surface corners for easy cleaning • Work surface features front marine edge • Cabinet includes intermediate shelf and special compartment for vertical tray storage • Vertical tray storage compartment specifically designed to hold 14" or 16" round server trays • Recessed hole in tray storage compartment floor prevents round trays from rolling out • Includes left-side-mounted menu holder • Includes wall-mounting bracket • WS36-S model includes welded bowl with removable plastic washrag basin • Optional wall-mount pan holder (WPH) with 6" deep stainless steel one-fourth pan also available, for use as an ashtray dump or washrag basin (clear plastic one-fourth pan also available)

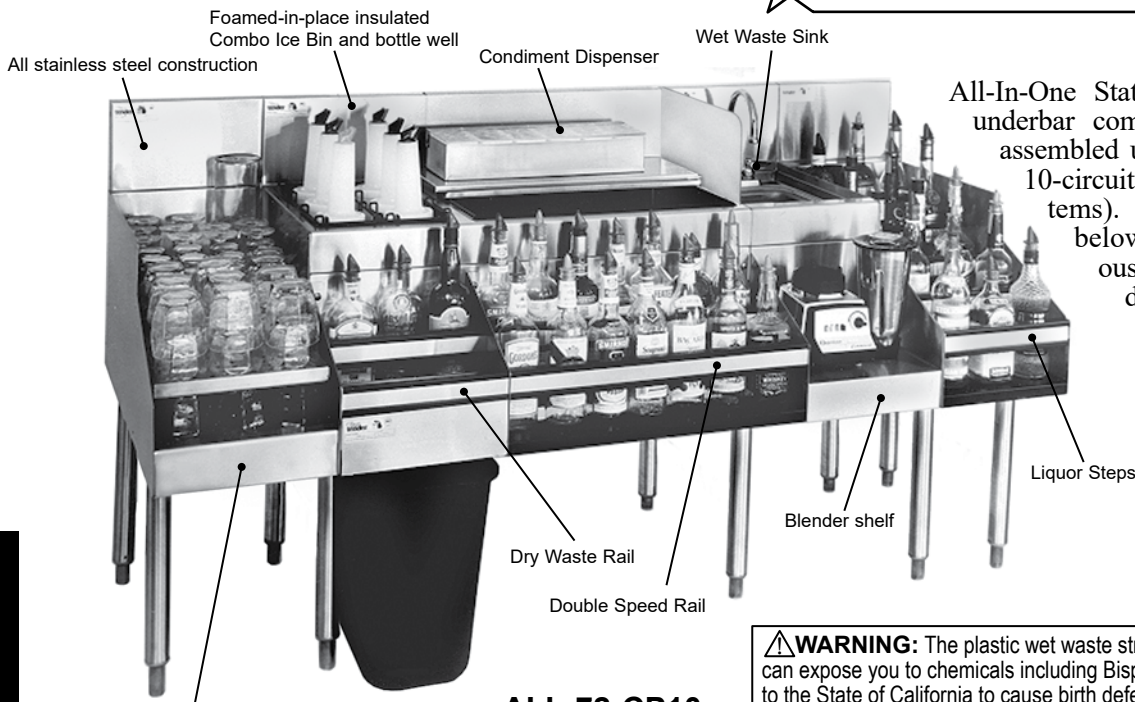
WAIT STATION ACCESSORIES

MODEL	DESCRIPTION	LIST	WGT
WPH	Wall-mount pan holder	\$265	12#
WPH-LP	Wall-mount pan holder, less pan	\$201	10#
MH-L	Menu holder, mounts left	\$171	10#
MH-R	Menu holder, mounts right	\$171	10#
03003294	Plastic washrag basin	\$41	3#

WARNING: The plastic wet waste strainer included with this product can expose you to chemicals including Bisphenol A (BPA), which is known to the State of California to cause birth defects or other reproductive harm. For more information, go to www.P65Warnings.ca.gov. **Warning applies to State of California only.** Part #03000483

Bar Fabrication - Main Line

All faucets are certified low lead compliant



All-In-One Stations combine different underbar components into one pre-assembled unit (also available with 10-circuit cold plate for soda systems). The ALL-72 pictured below illustrates the various components. Read the descriptions below each model for a complete list of standard components. (see ALL Spec Sheet for complete details)

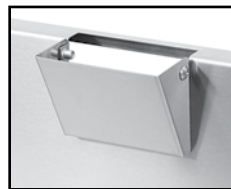
Recessed Drainboard for maximum glass storage

ALL-72-CP10

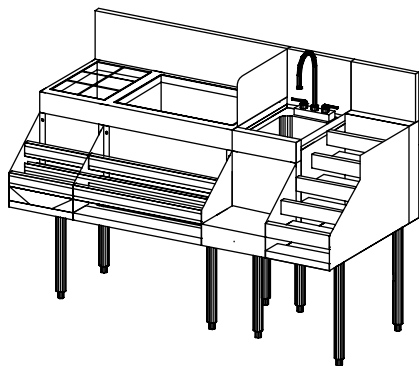
WARNING: The plastic wet waste strainer included with this product can expose you to chemicals including Bisphenol A (BPA), which is known to the State of California to cause birth defects or other reproductive harm. For more information, go to www.P65Warnings.ca.gov. **Warning applies to State of California only.** Part #03000483

ALL-IN-ONE STATION ACCESSORY

MODEL	DESCRIPTION	LIST	WEIGHT
TC-BS	Tubing chase centered in backsplash of ice bin	\$51	N/A



TC-BS

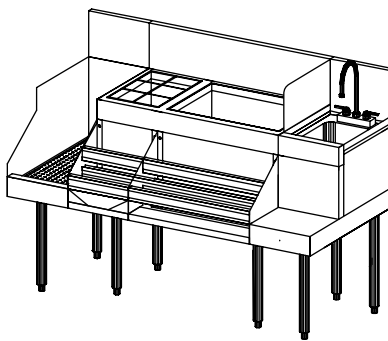


ALL-60A

MODEL	LIST	WT	COLD PLATE
ALL-60A	\$6,133	200#	No
ALL-60A-CP10	\$7,565	270#	YES

60" ALL-IN-ONE STATION

- 36" Combo Ice Bin
- 12" Single Wet Waste Sink w/Left Splash
- 12" Blender Shelf with Towel Ring
- 12" Liquor Steps
- 36" Double Speed Rail
- 12" Dry Waste Rail
- Condiment Dispenser

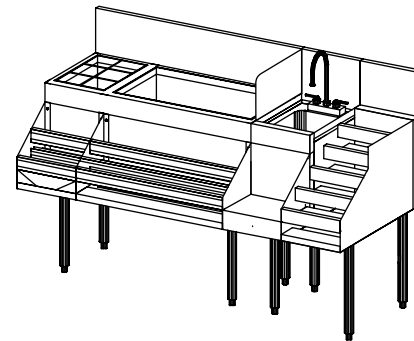


ALL-60B

MODEL	LIST	WT	COLD PLATE
ALL-60B	\$5,762	200#	No
ALL-60B-CP10	\$7,194	270#	YES

60" ALL-IN-ONE STATION

- 12" Recessed Drainboard
- 36" Combo Ice Bin
- 12" Single Wet Waste Sink w/Left Splash
- 12" Blender Shelf with Towel Ring
- 36" Double Speed Rail
- 12" Dry Waste Rail
- Condiment Dispenser



ALL-66A

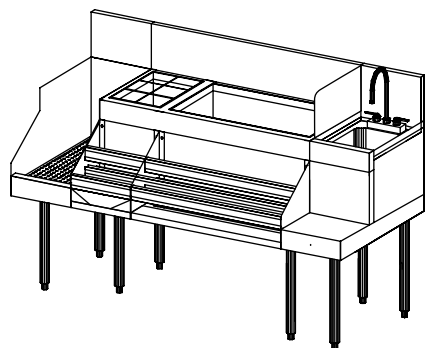
MODEL	LIST	WT	COLD PLATE
ALL-66A	\$6,339	215#	No
ALL-66A-CP10	\$7,825	285#	YES

66" ALL-IN-ONE STATION

- 42" Combo Ice Bin
- 12" Single Wet Waste Sink w/Left Splash
- 12" Blender Shelf with Towel Ring
- 12" Liquor Steps
- 42" Double Speed Rail
- 12" Dry Waste Rail
- Condiment Dispenser

*NOTE: All-In-One Stations are manufactured to order and are not returnable

Bar Fabrication - Main Line

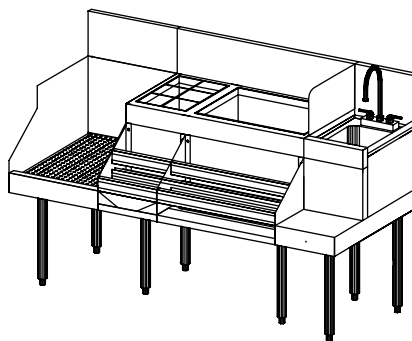


ALL-66B

MODEL	LIST	WT	COLD PLATE
ALL-66B	\$5,968	215#	No
ALL-66B-CP10	\$7,454	285#	YES

66" ALL-IN-ONE STATION

- 12" Recessed Drainboard
- 42" Combo Ice Bin
- 12" Single Wet Waste Sink w/Left Splash
- 12" Blender Shelf with Towel Ring
- 42" Double Speed Rail
- 12" Dry Waste Rail
- Condiment Dispenser

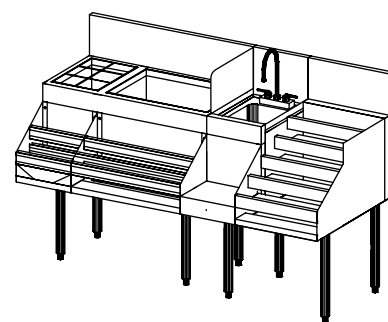


ALL-66C

MODEL	LIST	WT	COLD PLATE
ALL-66C	\$5,894	215#	No
ALL-66C-CP10	\$7,326	285#	YES

66" ALL-IN-ONE STATION

- 18" Recessed Drainboard
- 36" Combo Ice Bin
- 12" Single Wet Waste Sink w/Left Splash
- 12" Blender Shelf with Towel Ring
- 36" Double Speed Rail
- 12" Dry Waste Rail
- Condiment Dispenser

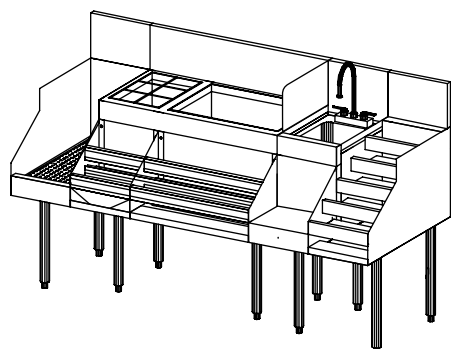


ALL-66D

MODEL	LIST	WT	COLD PLATE
ALL-66D	\$6,269	215#	No
ALL-66D-CP10	\$7,701	285#	YES

66" ALL-IN-ONE STATION

- 36" Combo Ice Bin
- 12" Single Wet Waste Sink w/Left Splash
- 18" Liquor Steps
- 36" Double Speed Rail
- 12" Dry Waste Rail
- Condiment Dispenser

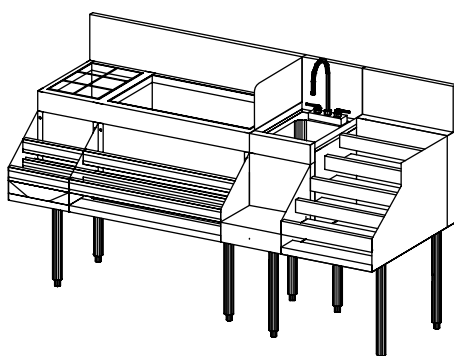


ALL-72

MODEL	LIST	WT	COLD PLATE
ALL-72	\$7,138	240#	No
ALL-72-CP10	\$8,570	310#	YES

72" ALL-IN-ONE STATION

- 12" Recessed Drainboard
- 36" Combo Ice Bin
- 12" Single Wet Waste Sink w/Left Splash
- 12" Blender Shelf with Towel Ring
- 12" Liquor Steps
- 36" Double Speed Rail
- 12" Dry Waste Rail
- Condiment Dispenser

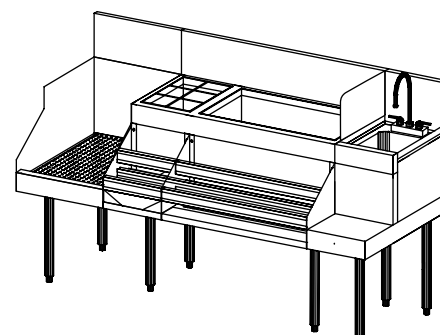


ALL-72A

MODEL	LIST	WT	COLD PLATE
ALL-72A	\$6,475	240#	No
ALL-72A-CP10	\$7,961	310#	YES

72" ALL-IN-ONE STATION

- 42" Combo Ice Bin
- 12" Single Wet Waste Sink w/Left Splash
- 12" Blender Shelf with Towel Ring
- 18" Liquor Steps
- 42" Double Speed Rail
- 12" Dry Waste Rail
- Condiment Dispenser



ALL-72B

MODEL	LIST	WT	COLD PLATE
ALL-72B	\$6,100	240#	No
ALL-72B-CP10	\$7,586	310#	YES

72" ALL-IN-ONE STATION

- 18" Recessed Drainboard
- 42" Combo Ice Bin
- 12" Single Wet Waste Sink w/Left Splash
- 12" Blender Shelf with Towel Ring
- 42" Double Speed Rail
- 12" Dry Waste Rail
- Condiment Dispenser

*NOTE: All-In-One Stations are manufactured to order and are not returnable

⚠WARNING: The plastic wet waste strainer included with this product can expose you to chemicals including Bisphenol A (BPA), which is known to the State of California to cause birth defects or other reproductive harm. For more information, go to www.P65Warnings.ca.gov. **Warning applies to State of California only.** Part #03000483

Bar Fabrication - Main Line



PRODUCT INFORMATION

(see TC Spec Sheet for complete details)

STANDARD FEATURES

- All stainless steel construction
- Tubing chase is 6" by 6" by 4" high
- Stainless steel drain pan work surface and perforated insert
- Mounts between adjacent underbar equipment (there is no provision for leg mounting)
- Includes front rail and front skirt to match adjacent equipment
- Can be set in place after beverage lines are installed

TUBING CHASES

MODEL	LIST	LENGTH	DEPTH	WEIGHT
TCA	\$488	6"	19"	17#
TCB	\$555	6"	24"	19#

TCA shown in an installation setting

Beer Drainers*

Pricing effective December 1, 2020

Beer Drainers have a 26" high lowered work surface and are designed specifically for use with undercounter-mounting beverage dispensers. The work surface includes a drain pan with perforated insert to serve as the drip pan for the dispenser and a special notched rear deck for beverage line access. Since the rear work surface is notched, the beverage lines can be installed prior to the beer drainer.



BDB-18 shown in an installation setting with undercounter-mounting beer tower above

PRODUCT INFORMATION

(see BD Spec Sheet for complete details)

STANDARD FEATURES

- All stainless steel construction
- Designed with lowered work surface to work in conjunction with undercounter-mounting beverage dispensers
- Adjustable stainless steel bullet feet
- Rear deck with tubing chase notch allows beer lines to be installed prior to beer drainer
- Front drain pan with lift-out stainless steel perforated insert

19" DEEP BEER DRAINERS

MODEL	LIST	LENGTH	WEIGHT
BDA-18	\$867	18"	45#
BDA-24	\$950	24"	50#
BDA-30	\$1,031	30"	55#
BDA-36	\$1,113	36"	60#

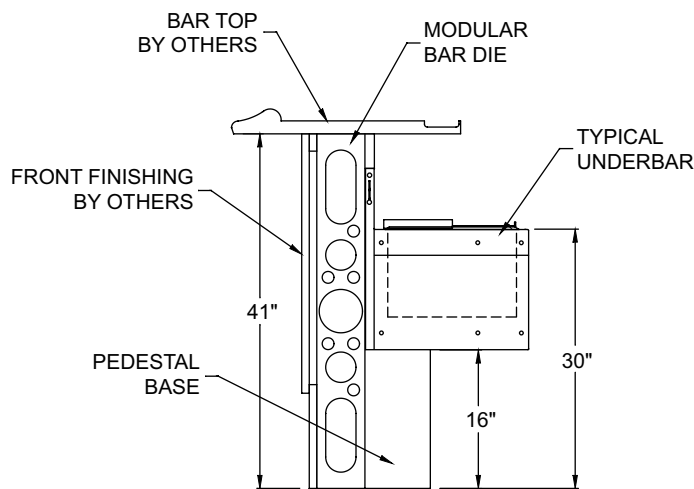
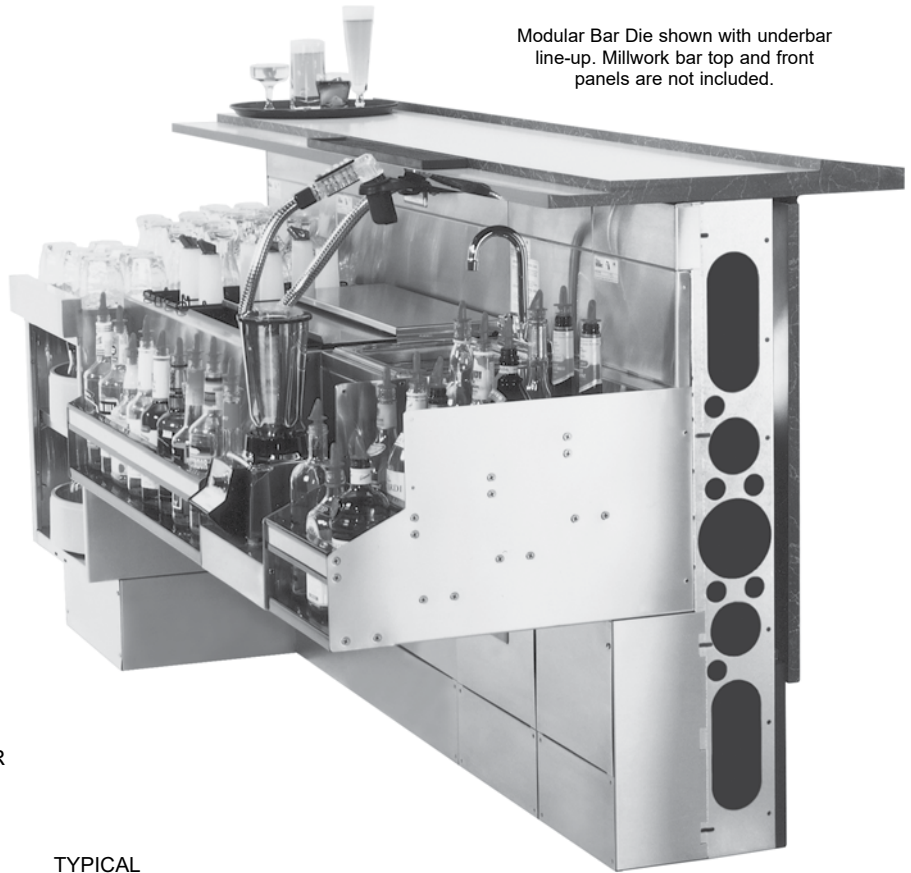
24" DEEP BEER DRAINERS

MODEL	LIST	LENGTH	WEIGHT
BDB-18	\$949	18"	55#
BDB-24	\$1,047	24"	60#
BDB-30	\$1,142	30"	65#
BDB-36	\$1,236	36"	70#

*NOTE: Beer Drainers are manufactured to order and are not returnable

With the Glastender Modular Bar Die, underbar equipment is mounted to and supported on the bar die. All the underbar equipment is pre-assembled and mounted to the bar die at the factory, then broken down into shippable sections. Installation of the bar die is very simple - easier than a conventional style underbar with a millwork bar die. The result is a beautiful, innovative underbar line up that is sealed to the floor, stainless from floor to bar top, eliminates all underbar leg sets, and hides the soda, beer, electrical, and plumbing lines.

Modular Bar Die shown with underbar line-up. Millwork bar top and front panels are not included.



Typical Side Elevation View

The total Number of feet required is calculated by determining the overall outside dimension of the bar die wall. Please round up to the nearest whole foot.

MODULAR BAR DIE

MODEL	DESCRIPTION	LIST	WGT
MD	Price per foot	\$321	15#

PRODUCT INFORMATION

(see MD Spec Sheet for complete details)

FEATURES:

- 16 gauge galvanized steel structure with stainless steel bartender side finishing
- GFI outlets built in to bar die wall based on customer preference (wiring not provided)
- LED lights built in to bar die wall above underbar equipment (wiring not provided)
- Built in chaseways for beer, soda, plumbing, and electrical lines.

BENEFITS:

- Stainless steel from floor to bar top on bartender side
- Floor can be sealed to the bar die to prevent moisture from seeping from the bartender side to the customer side of the bar
- Galvanized steel structure will not rot
- Built in chaseways hide beer, soda, plumbing, and electrical lines for a cleaner, more attractive bar
- Arrives pre-assembled from factory in sections up to 10 feet long for easy installation - lowers installation costs. Just bolt the sections together, level, and attach the floor.
- Pre-engineered to exact dimensions to ensure a precise fit
- Can be used in conjunction with removable front millwork finishing panels to provide easy access to soda, beer, plumbing, and electrical lines for future modification, maintenance, or repair
- Millwork bar top and front panels can be pre-fabricated and easily attached
- Eliminates all underbar legs for easy cleaning.

Bar Fabrication - Main Line

19" DEEP ICE BINS*

MODEL	LIST	LTH	WGT	ICE CAPACITY
C-IBA-6†	\$832	6"	40#	17#
C-IBA-12	\$1,123	12"	50#	33#
C-IBA-18	\$1,240	18"	60#	50#
C-IBA-24	\$1,352	24"	70#	67#
C-IBA-30	\$1,474	30"	80#	84#
C-IBA-36	\$1,589	36"	90#	100#
C-IBA-42	\$1,708	42"	100#	117#
C-IBA-48	\$1,825	48"	110#	134#

WITH 10-CIRCUIT COLD PLATE

C-IBA-24-CP10	\$2,543	24"	130#	67#
C-IBA-30-CP10	\$2,704	30"	145#	84#
C-IBA-36-CP10	\$2,908	36"	160#	100#
C-IBA-42-CP10	\$3,271	42"	170#	117#
C-IBA-48-CP10	\$3,396	48"	180#	134#

† Note: 6" unit cannot be free standing

24" DEEP ICE BINS*

MODEL	LIST	LTH	WGT	ICE CAPACITY
C-IBB-6†	\$888	6"	45#	21#
C-IBB-12	\$1,205	12"	55#	42#
C-IBB-18	\$1,333	18"	70#	64#
C-IBB-24	\$1,455	24"	80#	85#
C-IBB-30	\$1,588	30"	95#	106#
C-IBB-36	\$1,711	36"	110#	127#
C-IBB-42	\$1,838	42"	120#	149#
C-IBB-48	\$1,962	48"	130#	170#

WITH 10-CIRCUIT COLD PLATE*

C-IBB-24-CP10	\$2,628	24"	145#	85#
C-IBB-30-CP10	\$3,120	30"	160#	106#
C-IBB-36-CP10	\$3,257	36"	170#	127#
C-IBB-42-CP10	\$3,395	42"	185#	149#
C-IBB-48-CP10	\$3,497	48"	195#	170#

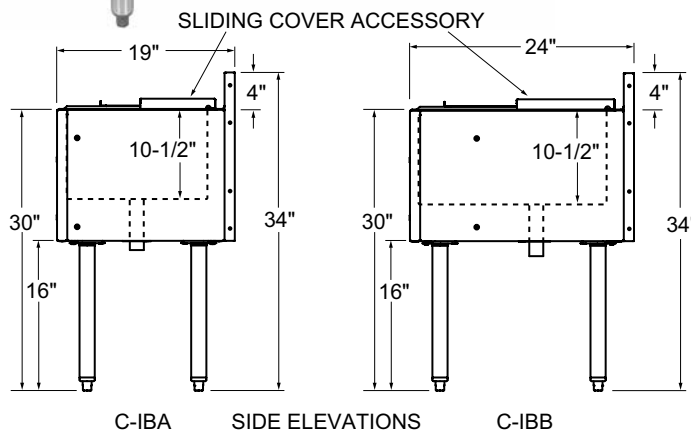
† Note: 6" unit cannot be free standing

What is a cold plate?

Choice ice bins 24" wide and larger are available with a 10-circuit cold plate built into the bottom liner. A cold plate is an aluminum block with ten stainless steel lines or circuits molded within. Soda lines are attached by the soda vendor to the input and output lines of the cold plate and the soda water and syrup are chilled as they pass through the lines. A cold plate is recommended for ice bins used to make cocktails.



C-IBA-36-CP10



PRODUCT INFORMATION

(see C-IB and C-IB-ED Spec Sheets for complete details)

STANDARD FEATURES

- All stainless steel construction
- PVC plastic breaker strip around ice bin liner acts as a thermal barrier to prevent heat transfer
- 24" deep version provides larger ice bin not just a deck extension on the back of the 19" deep model
- Extra deep ice bins have 14-1/2" deep liner for extra ice capacity
- Adjustable thermoplastic bullet feet
- Backsplash is an open channel to provide access for beverage lines

NOTE: Ice bins intended to store potable ice must be ordered with an ice bin cover to maintain the sanitation listing

*NOTE: These ice bin models are manufactured to order and are not returnable



Bottle rack accessory (one BR4 and one BR3 shown)

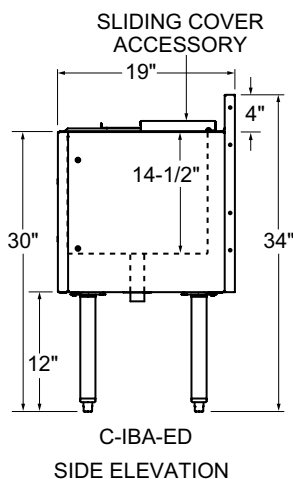
Bottle well accessory (two BW3 shown)

19" EXTRA DEEP ICE BINS*

MODEL	LIST	LTH	WGT	ICE CAPACITY
C-IBA-18-ED	\$1,383	18"	75#	69#
C-IBA-24-ED	\$1,519	24"	80#	92#
C-IBA-30-ED	\$1,656	30"	90#	116#
C-IBA-36-ED	\$1,793	36"	100#	139#
C-IBA-42-ED	\$1,929	42"	110#	162#
C-IBA-48-ED	\$2,069	48"	125#	185#

EXTRA DEEP WITH 10-CIRCUIT COLD PLATE*

C-IBA-24-CP10-ED	\$2,818	24"	140#	92#
C-IBA-30-CP10-ED	\$3,005	30"	155#	116#
C-IBA-36-CP10-ED	\$3,276	36"	170#	139#
C-IBA-42-CP10-ED	\$3,640	42"	180#	162#
C-IBA-48-CP10-ED	\$3,792	48"	190#	185#



NOTE: Ice bins intended to store potable ice must be ordered with an ice bin cover to maintain the sanitation listing

*NOTE: These ice bin models are manufactured to order and are not returnable

ICE BIN ACCESSORIES

SINGLE SPEED RAILS

MODEL	DESCRIPTION	LIST	WGT
C-SR-12	12" single speed rail	\$123	5#
C-SR-18	18" single speed rail	\$137	6#
C-SR-24	24" single speed rail	\$151	7#
C-SR-30	30" single speed rail	\$166	9#
C-SR-36	36" single speed rail	\$180	10#
C-SR-42	42" single speed rail	\$196	12#
C-SR-48	48" single speed rail	\$210	13#

DOUBLE SPEED RAILS

MODEL	DESCRIPTION	LIST	WGT
C-DR-12	12" double speed rail	\$241	9#
C-DR-18	18" double speed rail	\$272	11#
C-DR-24	24" double speed rail	\$301	14#
C-DR-30	30" double speed rail	\$332	16#
C-DR-36	36" double speed rail	\$361	18#
C-DR-42	42" double speed rail	\$391	21#
C-DR-48	48" double speed rail	\$421	24#

CONDIMENT DISPENSER Stainless steel condiment dispenser with hinged plexi-glass lid and six 16 oz. plastic cups.

CCD	Condiment dispenser	\$153	5#
-----	---------------------	-------	----

ACCESSORIES FOR 19" DEEP (A) ICE BINS

ICE BIN COVERS Two-piece sliding stainless steel. Ice bins intended to store potable ice must be ordered with an ice bin cover to maintain the sanitation listing. If bottle wells are ordered, deduct 6" from cover length for one bottle well and 12" for two bottle wells.

MODEL	DESCRIPTION	LIST	WGT	MODEL	DESCRIPTION	LIST	WGT
IBCA-12	12"w ice bin cover - 19"d (A) ice bin	\$54	4#	IBCB-12	12"w ice bin cover - 24"d (B) ice bin	\$67	5#
IBCA-18	18"w ice bin cover - 19"d (A) ice bin	\$77	5#	IBCB-18	18"w ice bin cover - 24"d (B) ice bin	\$97	6#
IBCA-24	24"w ice bin cover - 19"d (A) ice bin	\$101	7#	IBCB-24	24"w ice bin cover - 24"d (B) ice bin	\$126	8#
IBCA-30	30"w ice bin cover - 19"d (A) ice bin	\$126	8#	IBCB-30	30"w ice bin cover - 24"d (B) ice bin	\$158	10#
IBCA-36	36"w ice bin cover - 19"d (A) ice bin	\$170	9#	IBCB-36	36"w ice bin cover - 24"d (B) ice bin	\$211	11#
IBCA-42	42"w ice bin cover - 19"d (A) ice bin	\$203	10#	IBCB-42	42"w ice bin cover - 24"d (B) ice bin	\$252	13#
IBCA-48	48"w ice bin cover - 19"d (A) ice bin	\$225	12#	IBCB-48	48"w ice bin cover - 24"d (B) ice bin	\$286	15#

BOTTLE WELLS For use with potable ice. May be positioned left or right inside cocktail ice bin. If two are ordered, they are positioned one at each side

BW3	3 bottle well for 19"d (A) ice bin	\$51	4#	BW4	4 bottle rack for 24"d (B) ice bin	\$97	5#
-----	------------------------------------	------	----	-----	------------------------------------	------	----

BOTTLE RACKS For use with non-potable ice in bottle storage ice bin. Only fit in 12" long and larger ice bins. One rack may be ordered for each 6" of ice bin length. Not for use with sliding cover.

BR3	Bottle rack for 19"d (A) ice bin	\$48	3#	BR4	4 bottle rack for 24"d (B) ice bin	\$59	4#
-----	----------------------------------	------	----	-----	------------------------------------	------	----

ICE BIN DIVIDERS Stainless steel panel placed inside the ice bin front-to-back to separate different types of ice.

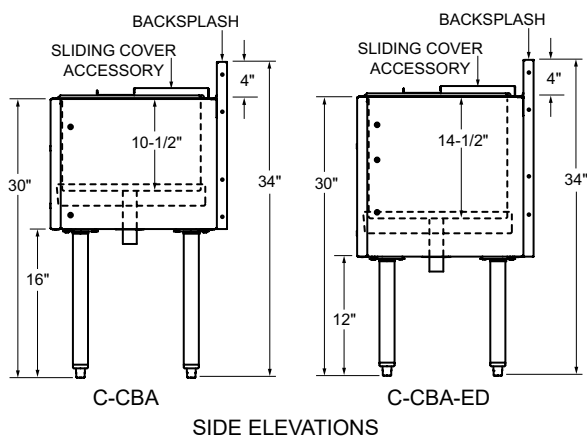
IBD-H-A	Ice bin divider for 19"d (A) ice bin	\$77	4#	IBD-H-B	Ice bin divider for 24"d (B) ice bin	\$99	4#
IBD-H-A-ED	Ice Bin divider for 19"d (A) extra deep ice bin	\$91	4#				

Bar Fabrication - Choice



C-CBA-36L

NOTE: Ice bins intended to store potable ice must be ordered with an ice bin cover to maintain the sanitation listing



SIDE ELEVATIONS

PRODUCT INFORMATION

(see C-CB and C-CB-ED Spec Sheets for complete details)

STANDARD FEATURES

- All stainless steel construction
- PVC plastic breaker strip around ice bin liner acts as a thermal barrier to prevent heat transfer
- Extra deep ice bins have 14-1/2" deep liner for extra ice capacity
- Adjustable thermoplastic bullet feet
- Backsplash is an open channel to provide access for beverage lines

What is a cold plate?

Choice ice bins 24" wide and larger are available with a 10-circuit cold plate built into the bottom liner. A cold plate is an aluminum block with ten stainless steel lines or circuits molded within. Soda lines are attached by the soda vendor to the input and output lines of the cold plate and the soda water and syrup are chilled as they pass through the lines. A cold plate is recommended for ice bins used to make cocktails.

19" DEEP COMBO ICE BINS*

MODEL	LIST	LTH	WGT	ICE CAPACITY	BOTTLES STORED
C-CBA-36L or R	\$2,034	36"	100#	67#	6
C-CBA-42L or R	\$2,159	42"	110#	84#	6
C-CBA-48L or R	\$2,284	48"	120#	100#	6
C-CBA-48	\$2,609	48"	120#	67#	12

WITH 10-CIRCUIT COLD PLATE

C-CBA-36L or R-CP10	\$3,388	36"	170#	67#	6
C-CBA-42L or R-CP10	\$3,559	42"	180#	84#	6
C-CBA-48L or R-CP10	\$3,780	48"	200#	100#	6
C-CBA-48-CP10	\$4,018	48"	200#	67#	12

EXTRA DEEP COMBO ICE BINS WITH 10-CIRCUIT COLD PLATE*

C-CBA-36L or R-CP10-ED	\$3,615	36"	180#	92#	6
C-CBA-42L or R-CP10-ED	\$3,810	42"	190#	116#	6
C-CBA-48L or R-CP10-ED	\$4,055	48"	210#	139#	6
C-CBA-48-CP10-ED	\$4,303	48"	210#	92#	12

*NOTE: These ice bin models are manufactured to order and are not returnable

COMBO ICE BIN ACCESSORIES

SINGLE SPEED RAILS

MODEL	DESCRIPTION	LIST	WGT
C-SR-36	36" single speed rail	\$180	10#
C-SR-42	42" single speed rail	\$196	12#
C-SR-48	48" single speed rail	\$210	13#

DOUBLE SPEED RAILS

C-DR-36	36" double speed rail	\$361	18#
C-DR-42	42" double speed rail	\$391	21#
C-DR-48	48" double speed rail	\$421	24#

CONDIMENT DISPENSER Stainless steel condiment dispenser with hinged plexi-glass lid and six 16 oz. plastic cups.

CCD	Condiment dispenser	\$153	5#
-----	---------------------	-------	----

ICE BIN COVERS Two-piece sliding stainless steel. Ice bins intended to store potable ice must be ordered with an ice bin cover to maintain the sanitation listing.

IBCA-24	24"w ice bin cover for C-CBA-36 or C-CBA-48	\$101	7#
IBCA-30	30"w ice bin cover for C-CBA-42	\$126	8#
IBCA-36	36"w ice bin cover for C-CBA-48L or R	\$170	9#

BOTTLE RACK Vinyl-coated wire racks placed inside the bottle well to assist with holding pour and store bottles. Each combo ice bin bottle well may hold two BR3 bottle racks.

BR3	Bottle rack for 19"d (A) ice bin	\$48	3#
-----	----------------------------------	------	----

ICE BIN DIVIDERS Stainless steel panel placed inside the ice bin front-to-back to separate different types of ice.

IBD-H-A	Ice bin divider for 19"d (A) ice bin	\$77	4#
IBD-H-A-ED	Ice bin divider for 19"d (A) extra deep ice bin	\$91	4#



C-IB-38X24

PRODUCT INFORMATION

(see CB-IB-38x24 Spec Sheet for complete details)

STANDARD FEATURES

- For pass thru design applications allowing both bartender and cocktail server access
- All stainless steel construction
- PVC plastic breaker strip around ice bin liner acts as a thermal barrier to prevent heat transfer
- Adjustable thermoplastic bullet feet

A 24" wide by 38" deep pass-thru ice bin is used to provide the cocktail servers with access to the ice. Pass-thru ice bins have the same features as standard ice bins, except there is no backsplash and the optional sliding cover is double sided. The bartender side of the ice bin lines up with the underbar equipment the same as a standard ice bin. The 38" deep dimension also allows a pass-thru ice bin to line up with back-to-back mounted underbar equipment (see sample drawings).

PASS THRU ICE BIN

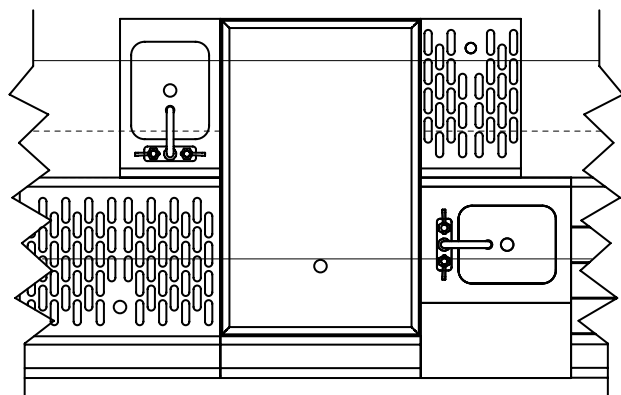
<u>MODEL</u>	<u>LIST</u>	<u>WGT</u>	<u>ICECAPACITY</u>
C-IB-38X24*	\$2,299	100#	175#
WITH 10-CIRCUIT COLD PLATE			
C-IB-38X24-CP10	\$3,496	190#	175#

*NOTE: This model is manufactured to order and is not returnable

NOTE: Ice bins intended to store potable ice must be ordered with an ice bin cover to maintain the sanitation listing

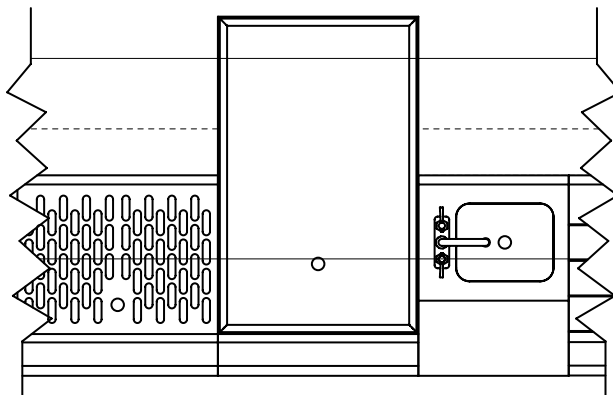
PASS THRU ICE BIN ACCESSORIES

<u>MODEL</u>	<u>DESCRIPTION</u>	<u>LIST</u>	<u>WGT</u>
C-SR-24	24" single speed rail	\$151	7#
C-DR-24	24" double speed rail	\$301	14#
C-IBC-38X24	Three-piece sliding stainless steel cover	\$289	14#
C-BW6-38X24	Set of two BW3 bottle wells with four-piece stainless steel sliding cover for C-IB-38X24	\$349	20#
CCD	Condiment dispenser, stainless steel with hinged plexi-glass lid and six 16 oz. cups	\$153	5#
IBD-H-P	Ice bin divider for C-IB-38X24	\$130	4#
IBD-H-P-CP	Ice bin divider for C-IB-38X24-CP10	\$139	4#
IBD-H-P-LR	Ice bin divider, left to right, for C-IB-38X24	\$99	4#



BARTENDER SIDE

Underbar Plan View with Pass-Thru Ice Bin and Back-to-Back Mounted Underbar



BARTENDER SIDE

Underbar Plan View with Pass-Thru Ice Bin

Bar Fabrication - Choice

Protected by one or more patents. For more information visit:
<https://www.glastender.com/patents>

Bar Fabrication - Choice



C-SHA-6

19" DEEP SODA GUN HOLDERS

MODEL	LIST	LENGTH	WEIGHT
C-SHA-4	\$560	4"	22#
C-SHA-4-ED	\$595	4"	24#
C-SHA-6	\$586	6"	25#
C-SHA-6-ED	\$626	6"	27#

24" DEEP SODA GUN HOLDERS

C-SHB-4	\$594	4"	22#
C-SHB-4-ED	\$636	4"	24#
C-SHB-6	\$621	6"	25#
C-SHB-6-ED	\$666	6"	27#

38" DEEP PASS THRU SODA GUN HOLDERS

C-SHP-4	\$896	4"	32#
C-SHP-4-ED	\$956	4"	34#
C-SHP-6	\$949	6"	35#
C-SHP-6-ED	\$1,014	6"	37#

PRODUCT INFORMATION

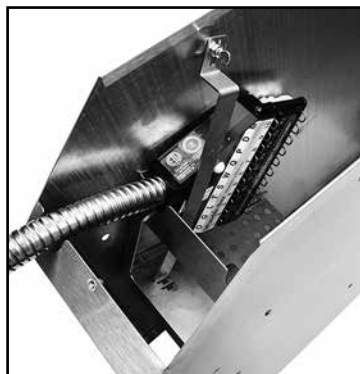
(see C-SH Spec Sheet for complete details)

STANDARD FEATURES

- All stainless steel construction
- Designed to house the manifold of Wunder-Bar® or Schroeder America™ 8 to 14 button soda guns
- Includes integral drip pan with radius corners for easy cleaning
- Built-in holder for soda gun
- Top cover is removable for access to the soda manifold
- Allows you to dictate the soda gun location
- Eliminates the need for tubing bundles above the work surface
- Designed to mount to at least one other piece of underbar equipment (there is no provision for leg mounting)
- Pre-aligned mounting holes and bolts ensure a secure and exact fit when mounting adjoining units
- Extra deep "-ED" models available to align with extra-deep style ice bins



C-SMHA-6



C-SMHA-6 with top cover removed and soda manifold installed

19" DEEP SODA MANIFOLD HOUSINGS

MODEL	LIST	LENGTH	WEIGHT
C-SMHA-4	\$374	4"	20#
C-SMHA-4-ED	\$402	4"	22#
C-SMHA-6	\$401	6"	23#
C-SMHA-6-ED	\$432	6"	25#

24" DEEP SODA MANIFOLD HOUSINGS

C-SMHB-4	\$397	4"	24#
C-SMHB-4-ED	\$445	4"	26#
C-SMHB-6	\$425	6"	28#
C-SMHB-6-ED	\$477	6"	30#

38" DEEP PASS THRU MANIFOLD HOUSING

C-SMHP-4	\$628	4"	35#
C-SMHP-4-ED	\$682	4"	37#
C-SMHP-6	\$676	6"	38#
C-SMHP-6-ED	\$733	6"	40#

PRODUCT INFORMATION

(see C-SMH Spec Sheet for complete details)

STANDARD FEATURES

- All stainless steel construction
- Designed to house the manifold of Wunder-Bar® or Schroeder America™ 8 to 14 button soda guns
- Once installed, the top of the housing is 34" high
- Top cover is removable for access to the soda manifold
- Eliminates the need for tubing bundles above the work surface
- Mounts to an adjacent piece of Choice underbar (there is no provision for leg mounting)
- The soda gun drip cup supplied by the soda gun manufacturer mounts to the underside of your bar top
- Extra deep "-ED" models available to align with extra-deep style ice bins



UMGH



UNDERCOUNTER MOUNT GUN HOLDER

MODEL	LIST	WGT
UMGH	\$109	3#

14 gauge stainless steel with rubber grommet and plastic drip pan. Grommet is specially sized to properly hold both Wunder-Bar® and Schroeder America™ style soda guns. Includes 10' of drain line tube.

Choice Tubing Chases



C-TCA

PRODUCT INFORMATION

(see C-TC Spec Sheet for complete details)

STANDARD FEATURES

- All stainless steel construction
- Tubing chase is 5-1/2" x 6" x 4" high
- Mounts between adjacent underbar equipment (there is no provision for leg mounting)
- Can be set in place after beverage lines are installed

TUBING CHASES

MODEL	LIST	LENGTH	DEPTH	WEIGHT
C-TCA	\$386	6"	19"	20#
C-TCB	\$438	6"	24"	24#

PRODUCT INFORMATION

(see C-BS and C-FBS Spec Sheets for complete details)

STANDARD FEATURES

- All stainless steel construction
- One-piece seamless top and backsplash
- Adjustable thermoplastic bullet feet
- Sink models have 9-1/4" by 11-1/2" by 6" deep sink bowl with hot and cold water faucet. A perforated plastic sink strainer is available as an accessory.
- Model C-BSA-12 is available with a foot-operated faucet. Specify accessory number FOF-B.
- Blender shelf features radius interior corners for easy cleaning
- Power cord access hole with grommet located on front skirt, behind the blender
- 24" deep models have a 9" deep shelf
- 29" deep models have a 10" deep shelf
- Junction box for duplex GFI outlet mounted underneath blender shelf (outlet not included)



C-BSA-12



C-FBSA-12

24" DEEP BLENDER STATIONS

MODEL	LIST	LENGTH	WEIGHT
C-BSA-12 ◦	\$1,328	12"	48#
C-BSA-14	\$1,314	14"	50#
C-BSA-18L†	\$1,370	18"	55#
C-BSA-18R†	\$1,370	18"	55#

29" DEEP BLENDER STATIONS

C-BSB-12	\$1,404	12"	53#
C-BSB-14	\$1,433	14"	55#
C-BSB-18	\$1,498	18"	60#

- = Foot-operated backsplash faucet accessory option
- † Denotes faucet location as left or right



C-BBS-12

Additional blender shelf space can be added to standard underbar units by specifying a Choice Bolt-on Blender Shelf. Choice Bolt-on Blender Shelves are 10" deep and include a junction box for duplex outlet (outlet not included) mounted below the shelf.



Optional foot-operated faucet
FOF-B
• C-BSA-12

CHOICE BOLT-ON BLENDER SHELVES

MODEL	DESCRIPTION	LIST	WGT
C-BBS-12	12" bolt-on blender shelf	\$232	12#
C-BBS-18	18" bolt-on blender shelf	\$251	18#

24" DEEP FILLER BOARD BLENDER STATIONS*

MODEL	LIST	LENGTH	WEIGHT
C-FBSA-12	\$725	12"	40#
C-FBSA-14	\$747	14"	42#
C-FBSA-18	\$802	18"	45#

29" DEEP FILLER BOARD BLENDER STATIONS*

C-FBSB-12	\$773	12"	45#
C-FBSB-14	\$800	14"	47#
C-FBSB-18	\$857	18"	50#

*NOTE: These blender stations are manufactured to order and are not returnable

BLENDER STATIONS ACCESSORIES

MODEL	DESCRIPTION	LIST	WGT
03000483	Wet waste sink strainer	\$44	1#
C-LS15-F	Left side splash for 24"d blender station	\$118	4#
C-RS15-F	Right side splash for 24"d blender station	\$118	4#
C-LSA-F	Left side splash for 29"d blender station	\$118	4#
C-RSA-F	Right side splash for 29"d blender station	\$118	4#
TR	Towel ring	\$15	1#
◦FOF-B	Convert C-BSA-12 to foot-operated backsplash faucet	\$439	3#

WARNING: The plastic wet waste strainer included with this product can expose you to chemicals including Bisphenol A (BPA), which is known to the State of California to cause birth defects or other reproductive harm. For more information, go to www.P65Warnings.ca.gov.
Warning applies to State of California only. Part #03000483



C-FBB-24

PRODUCT INFORMATION

(see C-FB Spec Sheet for complete details)

STANDARD FEATURES

- All stainless steel construction
- Adjustable thermoplastic bullet feet
- One-piece seamless top and backsplash

Choice Filler Boards are constructed of all stainless steel and include a flat work surface for situations where a draining work surface is not desired. Filler boards are not typically used for glass storage, but are more commonly used as a place to set a printer, POS system, or cash drawer.

19" DEEP FILLER BOARDS

MODEL	LIST	LENGTH	WEIGHT
C-FBA-18	\$698	18"	40#
C-FBA-24	\$761	24"	45#

24" DEEP FILLER BOARDS

C-FBB-18	\$782	18"	45#
C-FBB-24	\$862	24"	50#

*NOTE: Filler boards are manufactured to order and are not returnable

FILLER BOARD ACCESSORIES

MODEL	DESCRIPTION	LIST	WGT
C-SR-18	18" single speed rail	\$137	6#
C-SR-24	24" single speed rail	\$151	7#
C-DR-18	18" double speed rail	\$272	11#
C-DR-24	24" double speed rail	\$301	14#
C-LSA-F	Left side splash for C-FBA models	\$118	4#
C-RSA-F	Right side splash for C-FBA models	\$118	4#
C-LSB-F	Left side splash for C-FBB models	\$138	5#
C-RSB-F	Right side splash for C-FBB models	\$138	5#



C-RBD-18

PRODUCT INFORMATION

(see C-RDB Spec Sheet for complete details)

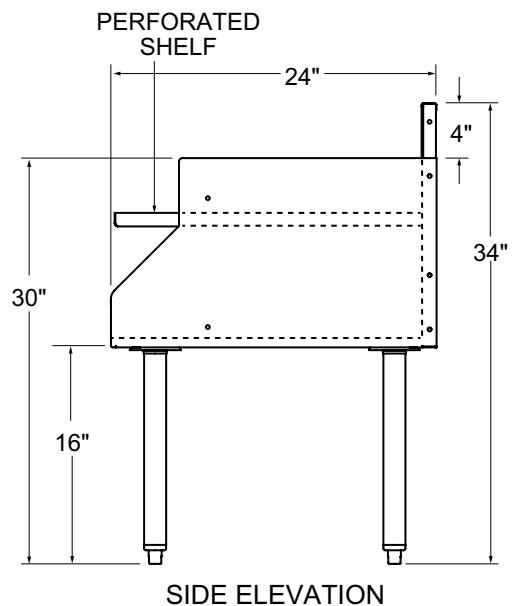
STANDARD FEATURES

- All stainless steel construction
- Adjustable thermoplastic bullet feet
- One-piece seamless top and backsplash featuring 1/4" radius corners for easy cleaning
- Corrugated work surface
- Lift-out stainless steel perforated shelf for stacking glassware

*NOTE: Recessed drainboards are manufactured to order and are not returnable

RECESSED DRAINBOARDS

MODEL	LIST	LENGTH	WEIGHT
C-RDB-12	\$818	12"	50#
C-RDB-18	\$900	18"	55#
C-RDB-24	\$986	24"	60#



Recessed drainboards have the same corrugated work surface as normal drainboards except the work surface has been lowered to allow stacking of glassware. A perforated shelf is placed on top of the first level of glassware and a second layer of glassware is stacked on top of it. Recessed drainboards work best when only one style of glassware is being stored.



C-DBB-12

PRODUCT INFORMATION

(see C-DB Spec Sheet for complete details)

STANDARD FEATURES

- All stainless steel construction
- Adjustable thermoplastic bullet feet
- Corrugated work surface
- One-piece seamless top and backsplash featuring 1/4" radius corners for easy cleaning
- Standard models available in 6" incremental lengths from 12" to 48"
- 24" deep models provide a larger drainboard storage area not just a deck extension on the back of the 19" deep model

19" DRAINBOARDS

MODEL	LIST	LENGTH	WEIGHT
C-DBA-12	\$649	12"	45#
C-DBA-18	\$699	18"	50#
C-DBA-24	\$750	24"	55#
C-DBA-30	\$800	30"	60#
C-DBA-36	\$852	36"	65#
C-DBA-42	\$902	42"	70#
C-DBA-48	\$953	48"	75#

24" DRAINBOARDS

C-DBB-12	\$697	12"	50#
C-DBB-18	\$754	18"	55#
C-DBB-24	\$811	24"	60#
C-DBB-30	\$869	30"	65#
C-DBB-36	\$926	36"	70#
C-DBB-42	\$985	42"	75#
C-DBB-48	\$1,042	48"	80#

DRAINBOARD ACCESSORIES

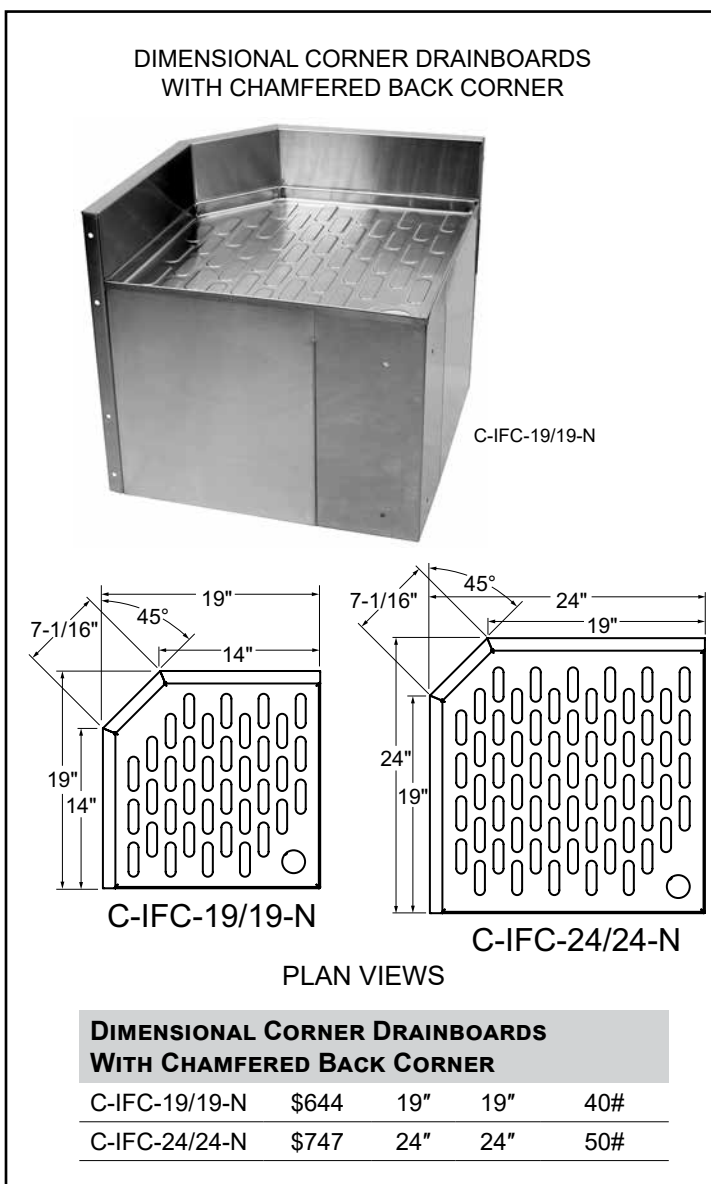
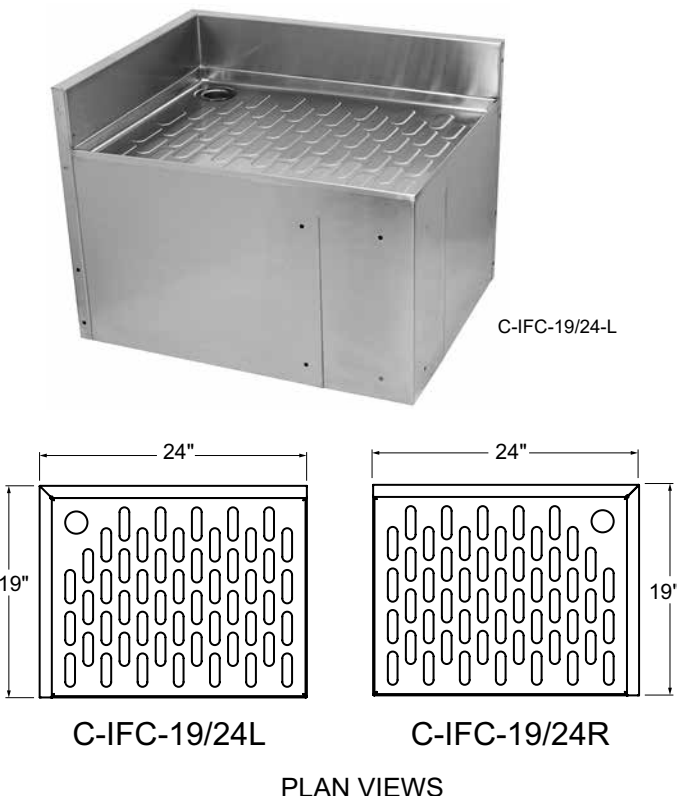
MODEL	DESCRIPTION	LIST	WEIGHT
C-SR-12	12" single speed rail	\$123	5#
C-SR-18	18" single speed rail	\$137	6#
C-SR-24	24" single speed rail	\$151	7#
C-SR-30	30" single speed rail	\$166	9#
C-SR-36	36" single speed rail	\$180	10#
C-SR-42	42" single speed rail	\$196	12#
C-SR-48	48" single speed rail	\$210	13#
C-DR-12	12" double speed rail	\$241	9#
C-DR-18	18" double speed rail	\$272	11#
C-DR-24	24" double speed rail	\$301	14#
C-DR-30	30" double speed rail	\$332	16#
C-DR-36	36" double speed rail	\$361	18#
C-DR-42	42" double speed rail	\$391	21#
C-DR-48	48" double speed rail	\$421	24#
C-LSA-D	Left side splash for C-DBA models	\$118	4#
C-RSA-D	Right side splash for C-DBA models	\$118	4#
C-LSB-D	Left side splash for C-DBB models	\$138	5#
C-RSB-D	Right side splash for C-DBB models	\$138	5#

Bar Fabrication - Choice

Dimensional Full Corner Drainboards are for 90° inside turns only. The dimensions of the corner are specified in the model number. If the dimensions of each side are not the same, the longest dimension is specified second along with its location.

Corner drainboards are designed to mount between two pieces of Choice underbar. However, corner drainboards can be used to mount between any two stable vertical surfaces. Corners should not be mounted to objects that are mobile or on casters.

Because they are intended to mount between two vertical surfaces, corner drainboards do not come with legs. If one side of the corner does not have a vertical surface on which to mount, then a leg set must be ordered as an accessory.



DIMENSIONAL CORNER DRAINBOARDS WITH CHAMFERED BACK CORNER				
C-IFC-19/19-N	\$644	19"	19"	40#
C-IFC-24/24-N	\$747	24"	24"	50#

PRODUCT INFORMATION

(see C-IFC Spec Sheet for complete details)

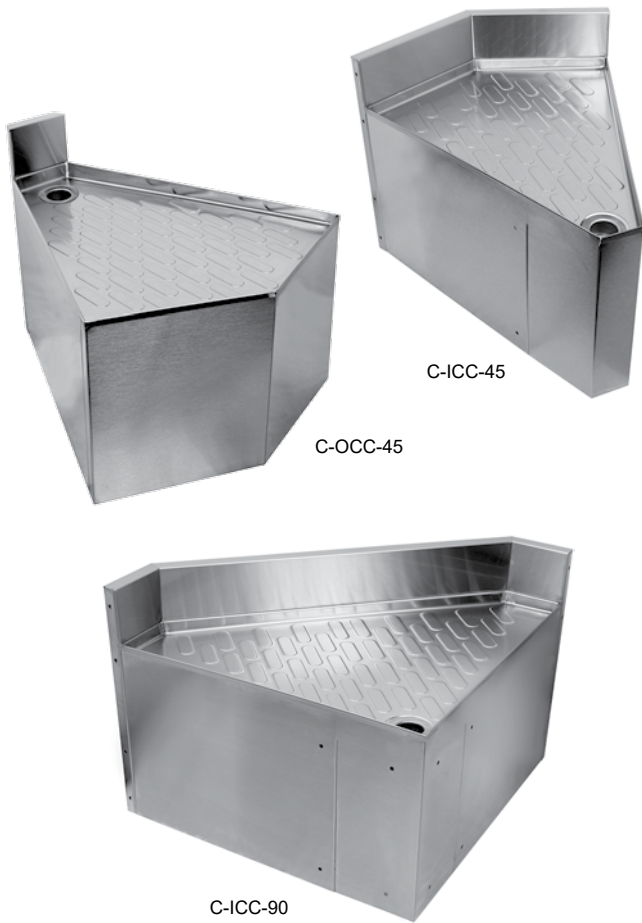
STANDARD FEATURES

- All stainless steel construction
- Designed to mount between two adjacent pieces of Choice underbar equipment
- Corrugated work surface features 1/4" radius corners for easy cleaning

DIMENSIONAL CORNER DRAINBOARD ACCESSORY

MODEL	DESCRIPTION	LIST	WEIGHT
C-ULEG-2	Set of two legs for Choice underbar	\$88	6#

Bar Fabrication - Choice



Degree corner drainboards are all 24" deep and designed to mount between two pieces of Choice underbar. However, corner drainboards can be used to mount between any two stable vertical surfaces. Corners should not be mounted to objects that are mobile or on casters.

Because they are intended to mount between two vertical surfaces, corner drainboards do not come with legs. If one side of the corner does not have a vertical surface on which to mount, then a leg set must be ordered as an accessory.

PRODUCT INFORMATION

(see C-ICC and C-OCC Spec Sheets for complete details)

STANDARD FEATURES

- All stainless steel construction
- Designed to mount between two adjacent pieces of Choice underbar equipment
- Corrugated work surface features 1/4" radius corners for easy cleaning

24" DEEP DEGREE CORNER DRAINBOARDS

MODEL	LIST	DEGREE	TURN	WEIGHT
C-ICC-45	\$683	45°	Inside	38#
C-ICC-90	\$734	90°	Inside	45#
C-OCC-45	\$747	45°	Outside	40#

DEGREE CORNER DRAINBOARD ACCESSORY

MODEL	DESCRIPTION	LIST	WEIGHT
C-ULEG-2	Set of two legs for Choice underbar	\$88	6#

Bar Fabrication - Choice

Choice Corner Filler Boards



Corner filler boards are all 24" deep and available for small degree inside turns. Corner filler boards are designed to mount between two pieces of Choice underbar. However, corner filler boards can be used to mount between any two stable vertical surfaces. Corners should not be mounted to objects that are mobile or on casters.

Because they are small and intended to mount between two vertical surfaces, corner filler boards do not come with legs or have optional legs available. If one side of the flat top corner filler does not have a vertical surface on which to mount, the end user must ensure the one adjoining surface is secure and stable.

24" DEEP CORNER FILLER BOARDS

MODEL	LIST	DEGREE	WEIGHT
C-FIB-5	\$336	5°	25#
C-FIB-10	\$345	10°	27#
C-FIB-15	\$378	15°	29#
C-FIB-20	\$393	20°	31#
C-FIB-25	\$407	25°	33#
C-FIB-30	\$422	30°	35#

PRODUCT INFORMATION

(see C-FIB Spec Sheet for complete details)

STANDARD FEATURES

- All stainless steel construction
- Designed to mount between two adjacent pieces of Choice underbar equipment

Glassracks are designed to hold racks of glassware stacked on top of each other. The 24" wide model holds 20" by 20" racks and the 18" wide models hold the 16" round racks used with the Glastender GT-18 glasswashers. Optional shelves are available as an accessory.

PRODUCT INFORMATION

(see C-GR Spec Sheet for complete details)

STANDARD FEATURES

- All stainless steel construction
- Adjustable thermoplastic bullet feet
- Full bottom shelf includes drain

19" DEEP OPEN GLASSRACKS*

MODEL	LIST	LENGTH	WEIGHT
C-GRA-18	\$981	18"	55#
C-GRA-24	\$1,045	24"	65#

24" DEEP OPEN GLASSRACKS

C-GRB-18	\$1,122	18"	65#
C-GRB-24	\$1,195	24"	75#

*NOTE: 19" deep open glassracks are manufactured to order and are not returnable

OPEN GLASSRACK ACCESSORY

MODEL	DESCRIPTION	LIST	WEIGHT
03013601	Shelf kit for 18" wide model, includes two shelves and eight clips	\$240	7#
03013602	Shelf kit for 24" wide model, includes two shelves and eight clips	\$260	8#



Choice Drainboard Glassracks



Drainboard Glassracks are designed to hold racks for glassware. All models are 24" deep. The 24" wide model holds 20" by 20" racks and the 18" wide model holds the 16" round racks used with Glastender GT-18 glasswashers.

PRODUCT INFORMATION

(see C-DBG Spec Sheet for complete details)

STANDARD FEATURES

- All stainless steel construction
- Adjustable thermoplastic bullet feet
- One-piece seamless top and backsplash featuring 1/4" radius corners for easy cleaning
- Corrugated work surface
- Includes bottom floor and two sets of rack slides for storing up to three glass racks below the work surface

NOTE: Three racks up to 7" high or two racks up to 10-1/2" high.

24" DEEP DRAINBOARD GLASSRACKS

MODEL	LIST	LENGTH	WEIGHT
C-DBG3-18	\$1,056	18"	70#
C-DBG3-24	\$1,168	24"	80#

DRAINBOARD GLASSRACK ACCESSORIES

MODEL	DESCRIPTION	LIST	WGT
C-LSB-D	Left side splash for 24"d (B) models	\$138	5#
C-RSB-D	Right side splash for 24"d (B) models	\$138	5#

Drainboard Cabinets have a bottom shelf and drainboard work surface. An adjustable intermediate shelf is available as an accessory. They are available with or without doors. The models with doors come with a lock standard. The 12", 18", and 24" wide models only have one door and all other models have two doors.



C-DBC-24

PRODUCT INFORMATION
(see C-DBC Spec Sheet for complete details)

STANDARD FEATURES

- All stainless steel construction
- Adjustable thermoplastic bullet feet
- One-piece seamless top and backsplash featuring 1/4" radius corners for easy cleaning
- Corrugated work surface
- Lock(s) standard on models with a door(s)
- Units with a single door come hinged left, but the door is field reversible
- Plumbing connection is made underneath the unit and does not interfere with shelf or floor

DRAINBOARD CABINET ACCESSORIES

MODEL	DESCRIPTION	LIST	WEIGHT
03013585	Shelf kit for C-DBCA-12	\$83	5#
03013586	Shelf kit for C-DBCA-18	\$100	6#
03013587	Shelf kit for C-DBCA-24	\$117	7#
03013588	Shelf kit for C-DBCA-30	\$136	8#
03013589	Shelf kit for C-DBCA-36	\$151	10#
03013590	Shelf kit for C-DBCA-42	\$170	11#
03013591	Shelf kit for C-DBCA-48	\$187	12#
03013592	Shelf kit for C-DBC-12	\$95	5#
03013593	Shelf kit for C-DBC-18	\$116	7#
03013594	Shelf kit for C-DBC-24	\$140	8#
03013595	Shelf kit for C-DBC-30	\$163	10#
03013596	Shelf kit for C-DBC-36	\$185	12#
03013597	Shelf kit for C-DBC-42	\$208	13#
03013598	Shelf kit for C-DBC-48	\$230	15#
C-LSA-D	Left side splash for 19"d (A) models	\$118	4#
C-RSA-D	Right side splash for 19"d (A) models	\$118	4#
C-LSB-D	Left side splash for 24"d (B) models	\$138	5#
C-RSB-D	Right side splash for 24"d (B) models	\$138	5#

19" DRAINBOARD CABINETS*

MODEL	LIST	LENGTH	WEIGHT
C-DBCA-12	\$1,140	12"	65#
C-DBCA-18	\$1,276	18"	75#
C-DBCA-24	\$1,413	24"	85#
C-DBCA-30	\$1,640	30"	95#
C-DBCA-36	\$1,775	36"	105#
C-DBCA-42	\$1,912	42"	115#
C-DBCA-48	\$2,048	48"	125#

19" DRAINBOARD CABINETS LESS DOORS*

C-DBCA-12-LD	\$824	12"	59#
C-DBCA-18-LD	\$912	18"	66#
C-DBCA-24-LD	\$999	24"	73#
C-DBCA-30-LD	\$1,087	30"	80#
C-DBCA-36-LD	\$1,175	36"	87#
C-DBCA-42-LD	\$1,263	42"	94#
C-DBCA-48-LD	\$1,350	48"	101#

24" DRAINBOARD CABINETS

C-DBC-12	\$1,136	12"	75#
C-DBC-18	\$1,274	18"	85#
C-DBC-24	\$1,412	24"	95#
C-DBC-30	\$1,635	30"	105#
C-DBC-36	\$1,773	36"	115#
C-DBC-42	\$1,911	42"	125#
C-DBC-48	\$2,049	48"	135#

24" DRAINBOARD CABINETS LESS DOORS

C-DBC-12-LD	\$839	12"	69#
C-DBC-18-LD	\$933	18"	76#
C-DBC-24-LD	\$1,026	24"	83#
C-DBC-30-LD	\$1,119	30"	90#
C-DBC-36-LD	\$1,211	36"	97#
C-DBC-42-LD	\$1,303	42"	104#
C-DBC-48-LD	\$1,397	48"	111#

*NOTE: 19" drainboard cabinets are manufactured to order and are not returnable



C-HSA-12-D

19" DEEP HAND SINKS

MODEL	LIST	LENGTH	WEIGHT
C-HSA-12	\$1,174	12"	45#
C-HSA-12-D *	\$1,398	12"	50#

19" DEEP WET WASTE SINK

C-SWA-12	\$1,218	12"	47#
----------	---------	-----	-----

24" DEEP HAND SINKS

C-HSB-12	\$1,239	12"	50#
C-HSB-12-D *	\$1,467	12"	55#

24" DEEP WET WASTE SINK

C-SWB-12	\$1,283	12"	52#
----------	---------	-----	-----

* = Foot-operated deck faucet accessory option



03000483



TR



Optional foot-operated faucet

FOF-D
 • C-HSA-12-D
 • C-HSB-12-D

PRODUCT INFORMATION

(see C-HS Spec Sheet for complete details)

STANDARD FEATURES

- Manufactured with total welded construction to meet NSF® standards
- All stainless steel construction
- One-piece seamless top and backsplash featuring 1/4" radius corners for easy cleaning
- Adjustable thermoplastic feet
- 9-1/4" by 11-1/2" by 6" deep sink bowl with hot and cold water gooseneck faucet with 2.0 GPM aerator
- Models C-HSA-12-D and C-HSB-12-D feature a soap dispenser and front skirt mounted C-fold paper towel dispenser
- Models C-HSA-12-D and C-HSB-12-D are available with a foot-operated faucet. Specify accessory number FOF-D.
- Wet waste sink models C-SWA-12 and C-SWB-12 include a lift-out perforated plastic wet waste strainer

SINGLE BOWL SINK ACCESSORIES

MODEL	DESCRIPTION	LIST	WEIGHT
C-SR-12	12" single speed rail, cannot mount to "-D" models	\$123	5#
C-DR-12	12" double speed rail, cannot mount to "-D" models	\$241	9#
C-DWR-S	Dry waste rail, aligns with single speed rail, cannot mount to "-D" models	\$145	5#
C-DWR-D	Dry waste rail, aligns with double speed rail, cannot mount to "-D" models	\$296	9#
C-LSA-D	Left side splash for 19"deep (A) models	\$118	4#
C-RSA-D	Right side splash for 19"deep (A) models	\$118	4#
C-LSB-D	Left side splash for 24"deep (B) models	\$138	5#
C-RSB-D	Right side splash for 24"deep (B) models	\$138	5#
03000483	Wet waste sink strainer (standard on "SW" models)	\$44	2#
03000511	Wrist handles, set of two	\$37	2#
TR	Towel ring	\$15	1#
DWC	Trash receptacle, stainless steel	\$389	10#
03005491	Trash receptacle, 28½ qt., gray plastic	\$55	5#
TD-C	Paper towel dispenser, C-fold	\$213	5#
03001873	Liquid soap dispenser, hand-pump	\$61	1#
03014739	Aerator, faucet, 1.5 GPM	\$11	1#
03014738	Aerator, faucet, 0.5 GPM	\$11	1#
03014737	Aerator, faucet, 0.2 GPM	\$11	1#
*FOF-D	Convert to foot-operated deck faucet for C-HSA-12-D and C-HSB-12-D models	\$335	3#

WARNING: The plastic wet waste strainer included with this product can expose you to chemicals including Bisphenol A (BPA), which is known to the State of California to cause birth defects or other reproductive harm. For more information, go to www.P65Warnings.ca.gov. **Warning applies to State of California only.** Part #03000483

All Sink Cabinets are 24" deep and available with or without a locking door. The 12" wide chemical storage cabinet holds three 1-gallon chemical containers. The 18" wide dry waste cabinet holds a trash receptacle and has a 6" round trash chute in the work surface. The trash receptacle is not included.

The two 24" wide models include a 12" drainboard section with corrugated work surface. A vertical center divider allows three 1-gallon chemical containers to be stored below the sink with the other side of the cabinet available for additional storage. An intermediate shelf for the cabinet storage below the drainboard is available as an accessory. The sink may be located to the left or right, which is signified by the L or R in the model number.



C-SC-12



C-SC-18



C-SC-24R

12" WIDEX 24" DEEP SINK CABINETS

MODEL	LIST	LTH	WGT
C-SC-12	\$1,774	12"	70#
C-SC-12-LD	\$1,468	12"	64#

18" WIDEX 24" DEEP SINK CABINETS

MODEL	LIST	LTH	WGT
C-SC-18	\$1,884	18"	80#
C-SC-18-LD	\$1,514	18"	71#

24" WIDEX 24" DEEP SINK CABINETS

MODEL	LIST	LTH	WGT
C-SC-24L*	\$2,269	24"	95#
C-SC-24R*	\$2,269	24"	95#
C-SC-24L-LD*	\$1,810	24"	83#
C-SC-24R-LD*	\$1,810	24"	83#

*L = Sink Left, R = Sink Right

WARNING: The plastic wet waste strainer included with this product can expose you to chemicals including Bisphenol A (BPA), which is known to the State of California to cause birth defects or other reproductive harm. For more information, go to www.P65Warnings.ca.gov. **Warning applies to State of California only.** Part #03000483

PRODUCT INFORMATION

(see C-SC Spec Sheet for complete details)

STANDARD FEATURES

- Manufactured with total welded construction to meet NSF® standards
- All stainless steel construction
- One-piece seamless top and backsplash featuring 1/4" radius corners for easy cleaning
- Adjustable thermoplastic feet
- 9-1/4" by 11-1/2" by 6" deep sink bowl with hot and cold water gooseneck faucet
- Cabinet base with front hinged access door (available less door - specify "-LD" suffix in model number)

SINK CABINET ACCESSORIES

MODEL	DESCRIPTION	LIST	WEIGHT
03000483	Wet waste strainer	\$44	2#
C-LSB-D	Left side splash	\$138	5#
C-RSB-D	Right side splash	\$138	5#
DWC	Trash receptacle, stainless steel, for C-SC-18 models	\$389	10#
03005491	Trash receptacle, 28-1/2 qt, plastic, for C-SC-18 models	\$55	5#
TR	Towel ring	\$15	1#
03013600	Shelf kit for storage area below drainboard on C-SC-24 models	\$121	5#
03000511	Wrist handles (set of two)	\$37	2#

All faucets are certified low lead compliant

PRODUCT INFORMATION
(see C-Mixology Units Spec Sheet for complete details)

STANDARD FEATURES

- Manufactured with total welded construction to meet NSF® standards
- All stainless steel construction
- One-piece seamless top and backsplash featuring 1/4" radius corners for easy cleaning
- Adjustable thermoplastic bullet feet (does not include C-MFT-8)
- Backsplash faucet may be converted to foot-operated. Specify accessory number FOF-B (does not include C-MFT-8).

C-MRS-12 MIXOLOGY UNIT

Includes backsplash faucet, push-down rinsing faucet to rinse shaker cans, and a lift-out perforated plastic sink strainer

MODEL	LIST	LTH	WGT
C-MRS-12	\$1,711	12"	55#



C-MRS-12

C-MFT-20 MIXOLOGY UNIT

Includes backsplash faucet, push-down rinsing faucet to rinse shaker cans, a lift-out perforated plastic sink strainer, a 6" diameter seamless welded draining dipper well and faucet for mixology tools, an 8" x 11" cutting board that is securely mounted but easily removable for cleaning, and an ice scoop well

MODEL	LIST	LTH	WGT
C-MFT-20	\$2,802	20"	65#



C-MFS-12

C-MFS-12 MIXOLOGY UNIT

Includes backsplash faucet, a lift-out perforated plastic sink strainer, and an 8" x 11" cutting board that is securely mounted but easily removable for cleaning

MODEL	LIST	LTH	WGT
C-MFS-12	\$1,610	12"	55#



C-MTS-14

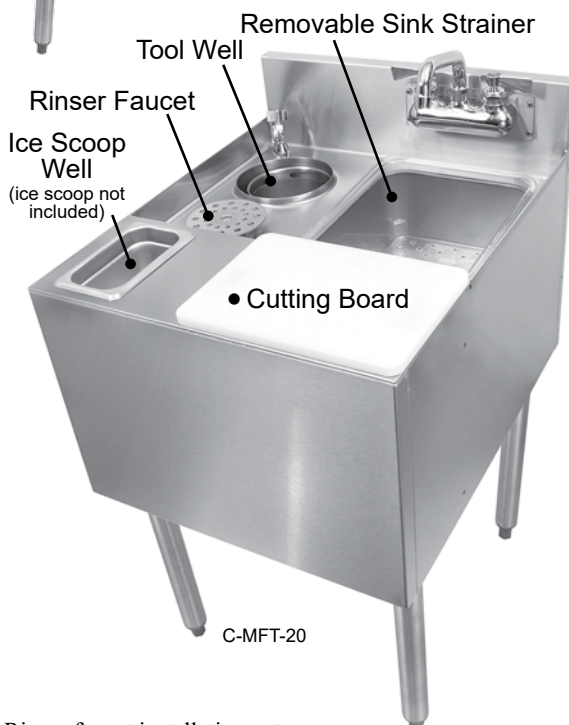
C-MFT-8 MIXOLOGY UNIT

Includes push-down rinsing faucet to rinse shaker cans, a 6" diameter seamless welded draining dipper well and faucet for mixology tools, and a 7-1/2" x 7-1/2" cutting board that is securely mounted but easily removable for cleaning. NOTE: No legs. Must mount to adjacent underbar.

MODEL	LIST	LTH	WGT
C-MFT-8	\$1,720	8"	40#



C-MFT-8



C-MFT-20

MIXOLOGY SINK ACCESSORIES

MODEL	DESCRIPTION	LIST	WGT
C-LSM	Left side splash, C-MFS-12, C-MFT-8, C-MFT-20	\$118	4#
C-RSM	Right side splash, C-MFS-12, C-MFT-8, C-MFT-20	\$118	4#
C-LSB-D	Left side splash for 24"d models	\$138	5#
C-RSB-D	Right side splash for 24"d models	\$138	5#
FOF-B	Convert to foot-operated backsplash faucet (excludes C-MFT-8 model)	\$439	3#

Rinsing faucet installation notes:

- Important: Unit must be installed in conformance with applicable federal, state, and local plumbing codes, including adequate backflow when required.
- Must install backflow prevention device conforming to ANSI/ASSE 1022 or ANSI/ASSE 1024 to meet plumbing code (not included).
- Install in-line water regulator (included).
- A separate shut-off valve is recommended (not included).

WARNING: The plastic wet waste strainer included with this product can expose you to chemicals including Bisphenol A (BPA), which is known to the State of California to cause birth defects or other reproductive harm. For more information, go to www.P65Warnings.ca.gov. **Warning applies to State of California only.** Part #03000483

Bar Fabrication - Choice

TWO COMPARTMENT SINKS

19" DEEP		24" DEEP		OVERALL LENGTH	SINK LOCATION	DRAINBOARD LENGTH	WEIGHT
MODEL	LIST	MODEL	LIST				
C-DSA-24*	\$1,888	C-DSB-24*	\$1,901	24"	Center	N/A	90#
C-DSA-36L*	\$1,994	C-DSB-36L*	\$2,019	36"	Left	12"	100#
C-DSA-36R*	\$1,994	C-DSB-36R*	\$2,019	36"	Right	12"	100#
C-DSA-48*	\$2,097	C-DSB-48*	\$2,136	48"	Center	2 @ 12"	110#

THREE COMPARTMENT SINKS

C-TSA-36	\$2,138	C-TSB-36	\$2,162	36"	Center	N/A	110#
C-TSA-48L*	\$2,237	C-TSB-48L*	\$2,273	48"	Left	12"	120#
C-TSA-48R*	\$2,237	C-TSB-48R*	\$2,273	48"	Right	12"	120#
C-TSA-60	\$2,358	C-TSB-60	\$2,409	60"	Center	2 @ 12"	130#
C-TSA-72	\$2,453	C-TSB-72	\$2,515	72"	Center	2 @ 18"	145#
C-TSA-84*	\$2,562	C-TSB-84*	\$2,641	84"	Center	2 @ 24"	160#
C-TSA-96*	\$2,657	C-TSB-96*	\$2,749	96"	Center	2 @ 30"	175#

FOUR COMPARTMENT SINKS

C-FSA-48	\$2,597	C-FSB-48	\$2,736	48"	Center	N/A	125#
C-FSA-72	\$2,816	C-FSB-72	\$2,875	72"	Center	2 @ 12"	155#
C-FSA-84*	\$2,926	C-FSB-84*	\$3,001	84"	Center	2 @ 18"	170#
C-FSA-96*	\$3,020	C-FSB-96*	\$3,109	96"	Center	2 @ 24"	185#

MULTIPLE SINK ACCESSORIES

MODEL	DESCRIPTION	LIST	WGT
C-SR-24	24" single speed rail	\$151	7#
C-SR-36	36" single speed rail	\$180	10#
C-SR-42	42" single speed rail	\$196	12#
C-SR-48	48" single speed rail	\$210	13#
C-SR-60	60" single speed rail	\$290	18#
C-SR-72	72" single speed rail	\$320	23#
C-DR-24	24" double speed rail	\$301	14#
C-DR-36	36" double speed rail	\$361	18#
C-DR-42	42" double speed rail	\$391	21#
C-DR-48	48" double speed rail	\$421	24#
C-DR-60	60" double speed rail	\$549	32#
C-DR-72	72" double speed rail	\$610	40#

NOTE: For 84" sink order two 42" speed rails or for 96" sink order two 48" speed rails.

C-LSA-D	Left side splash for 19"d (A) models	\$118	4#
C-RSA-D	Right side splash for 19"d (A) models	\$118	4#
C-LSB-D	Left side splash for 24"d (B) models	\$138	5#
C-RSB-D	Right side splash for 24"d (B) models	\$138	5#
TR	Towel ring	\$15	1#
LWS	Large wet waste strainer, plastic	\$114	2#
03002552	Sink cover, perforated, for C-DS models	\$114	5#
03002553	Sink cover, perforated, for C-TS models	\$171	8#
03002554	Sink cover, perforated, for C-FS models	\$229	12#

PRODUCT INFORMATION

(see C-DS, C-TS, and C-FS Spec Sheets for complete details)

STANDARD FEATURES

- All stainless steel construction and adjustable thermoplastic bullet feet
- One-piece seamless top and backsplash featuring 1/4" radius corners for easy cleaning
- 20 gauge stainless steel fabricated sink bowls are 70% thicker than the competition's 20 gauge drawn bowls
- 11" by 14" by 10-1/4" deep sink bowl with hot and cold water faucet
- Extra wide sink bowl easily accommodates brush washer
- Perforated stainless steel inserts are available to cover sinks when not in use
- One over-flow tube per sink bowl included



C-TSA-60

Compartment Sinks come in three different varieties: two, three, and four compartment. They feature a one-piece stainless steel top that is seamless all the way through the backsplash. Each variety is offered with or without built-in drainboards on one or both sides of the sink compartment. The corrugated drainboards, where included, are a seamless and integral part of the work surface. The seamless welded bowls are 20 gauge fabricated stainless steel. An 'L' or 'R' suffix in the model number designates the location of the sink compartment as left or right when there is only one drainboard.

*NOTE: These compartment sinks are manufactured to order and are not returnable

PRODUCT INFORMATION

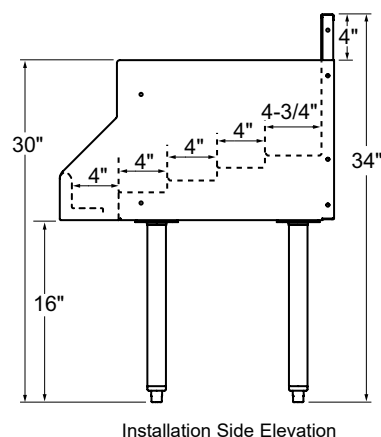
(see C-LD Spec Sheet for complete details)

STANDARD FEATURES

- Easily usable height for storage
- All stainless steel construction and thermoplastic bullet feet
- Five (5) levels of liquor bottle storage
- Integrated bottle retaining rails
- Front rail matches speed rail appearance for design continuity
- Rear step on each model is extra wide (4-3/4") for specialty liquor bottles



C-LD-18

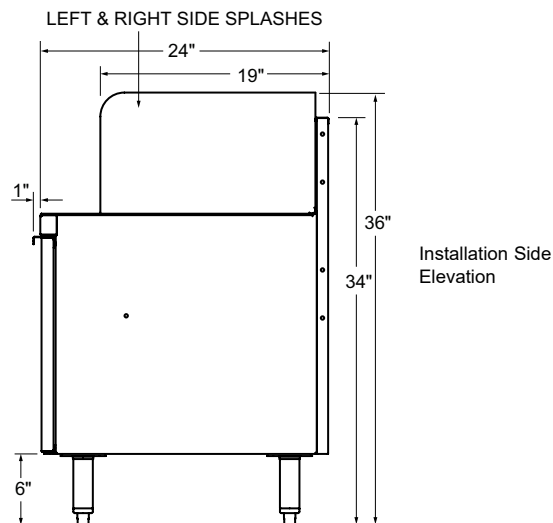


24" DEEP LIQUOR STEPS

MODEL	LIST	LENGTH	WEIGHT
C-LD-12	\$913	12"	50#
C-LD-18	\$991	18"	55#
C-LD-24	\$1,070	24"	60#



C-PCB-24



PRODUCT INFORMATION
(see C-PCB Spec Sheet for complete details)

STANDARD FEATURES

- All stainless steel construction with adjustable thermoplastic bullet feet
- One-piece seamless top and backsplash
- Louvered door for air flow on models with a door
- Lock standard on models with a door
- Special 26" high work surface height to accommodate cash drawer and POS monitor
- Grommeted cord access hole in work surface
- Large access hole in back wall of unit
- Includes left and right side splashes

24" DEEP POS CABINETS

MODEL	LIST	LENGTH	WEIGHT
C-PCB-18	\$1,779	18"	75#
C-PCB-24	\$1,949	24"	85#

24" DEEP POS CABINETS LESS DOORS

C-PCB-18-LD	\$1,437	18"	66#
C-PCB-24-LD	\$1,561	24"	73#

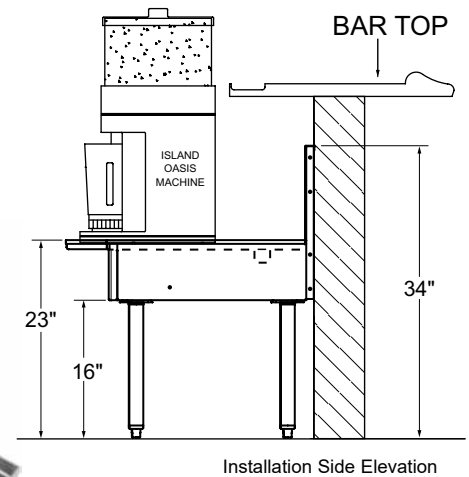
The Choice Island Oasis® Stand is designed for use with the model number SB-3X Island Oasis® machine. The 18" wide by 29" deep stand has a lowered draining work surface and extended front to allow the machine to be stored at a convenient and usable height. In most bar applications, the clear plastic ice container will be visible above the bar top.

PRODUCT INFORMATION

(see C-IOS Spec Sheet for complete details)

STANDARD FEATURES

- All stainless steel construction
- Adjustable thermoplastic bullet feet
- 1" deep drain pan work surface to capture excess moisture
- One-piece seamless top and backsplash featuring 1/4" radius corners for easy cleaning
- Lowered work surface with extended front
- Designed to keep the majority of the Island Oasis® (model #SB-3X) below the bar top with only the clear plastic ice tub visible above the bar top
- Chamfered front to eliminate "knee knockers"



ISLAND OASIS® STAND

MODEL	LIST	LENGTH	WEIGHT
C-IOS-18	\$973	18"	50#

Bar Fabrication - Choice

Choice Beer Drainers*

Beer Drainers have a 26" high, lowered work surface and are designed specifically for use with undercounter mounting beverage dispensers. The work surface includes a drain pan with perforated insert to serve as the drip pan for the dispenser and the backsplash is pulled forward 5" to provide access for beverage lines.

24" DEEP BEER DRAINERS

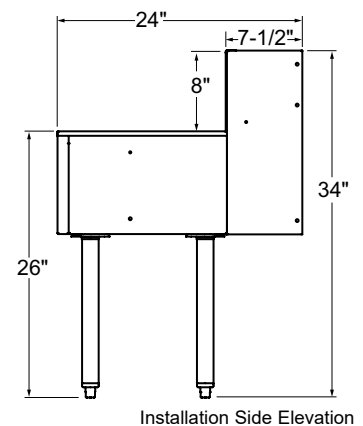
MODEL	LIST	LENGTH	WEIGHT
C-BD-18	\$761	18"	55#
C-BD-24	\$849	24"	60#
C-BD-30	\$935	30"	65#
C-BD-36	\$1,022	36"	70#

PRODUCT INFORMATION

(see C-BD Spec Sheet for complete details)

STANDARD FEATURES

- All stainless steel construction
- Designed with lowered work surface to work in conjunction with undercounter mounting beverage dispensers
- Adjustable thermoplastic bullet feet
- Backsplash pulled forward 5" to create large chaseway for beverage line access
- Front drain pan with lift-out stainless steel perforated insert



*NOTE: Beer drainers are manufactured to order and are not returnable



C-DW-15L

There are three different Dry Waste Chute models to meet various installation requirements. For all three models, the top lifts up for emptying the trash receptacle. The top also lifts off completely for more thorough cleaning. The C-DW-12 is designed for mounting between two adjacent pieces of Choice underbar. The C-DW-15L and C-DW-15R include a left or right side and leg set, respectively, for mounting to just one piece of Choice underbar. The C-DW-18 is free standing. All models are designed to house a Rubbermaid® Slim Jim™ trash receptacle, which is available from Glastender under part number 03000497.

PRODUCT INFORMATION

(see C-DW Spec Sheet for complete details)

STANDARD FEATURES

- All stainless steel construction
- Top lifts off completely for thorough cleaning
- Matches 30" high work surface profile of adjacent equipment
- Designed to house the Rubbermaid® Slim Jim™ trash receptacle

24" DEEP DRY WASTE CHUTES

MODEL	LIST	LEG POSITION	LENGTH	WEIGHT
C-DW-12	\$425	N/A	12"	30#
C-DW-15L	\$748	Left	15"	45#
C-DW-15R	\$748	Right	15"	45#
C-DW-18*	\$1,123	Left & Right	18"	60#

DRY WASTE CHUTE ACCESSORY

MODEL	DESCRIPTION	LIST	WEIGHT
03000497	Slim Jim trash receptacle	\$188	10#

*NOTE: C-DW-18 dry waste chutes are manufactured to order and are not returnable

Choice Clip-On Dry Waste Rails

PRODUCT INFORMATION

(see C-DWR Spec Sheet for complete details)

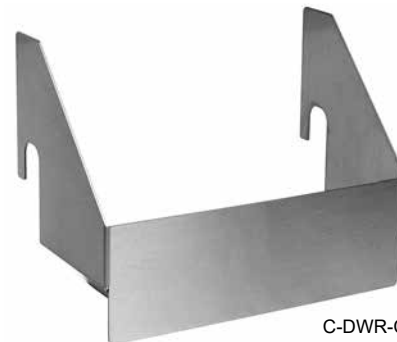
There are three different Clip-On Dry Waste Rail models to meet various installation requirements. For all three versions, the dry waste chute portion easily lifts off for thorough cleaning.



C-DWR-S



C-DWR-D



C-DWR-C

The C-DWR-S is 5" deep front-to-back and designed to align with adjacent equipment that has a single speed rail.

The C-DWR-D model is 10" deep front-to-back and designed to align with adjacent equipment that has a double speed rail. The C-DWR-D has a speed rail step in the back with the dry waste chute at the front.

The C-DWR-C model is designed to clip to another speed rail and adds 5" to the front-to-back depth.

STANDARD FEATURES

- All stainless steel construction
- Matches speed rail profile for continuity of design
- Bolts to the front skirt of non-cabinet base underbar equipment or clips to the rail of an underbar speed rails
- Stainless steel chute is removable for cleaning

CLIP-ON DRY WASTE RAILS

MODEL	LIST	LENGTH	DEPTH	WEIGHT
C-DWR-S	\$145	12"	5"	5#
C-DWR-D	\$296	12"	10"	9#
C-DWR-C	\$149	12"	5"	5#

SINGLE SPEED RAILS

MODEL	LIST	LENGTH	WEIGHT
C-SR-12	\$123	12"	5#
C-SR-13 to 18	\$137	13" to 18"	6#
C-SR-19 to 24	\$151	19" to 24"	7#
C-SR-25 to 30	\$166	25" to 30"	9#
C-SR-31 to 36	\$180	31" to 36"	10#
C-SR-37 to 42	\$196	37" to 42"	12#
C-SR-43 to 48	\$210	43" to 48"	13#
C-SR-49 to 54	\$276	49" to 54"	16#
C-SR-55 to 60	\$290	55" to 60"	18#
C-SR-61 to 66	\$305	61" to 66"	21#
C-SR-67 to 72	\$320	67" to 72"	23#



C-SR-18



C-DR-24

DOUBLE SPEED RAILS

MODEL	LIST	LENGTH	WEIGHT
C-DR-12	\$241	12"	9#
C-DR-13 to 18	\$272	13" to 18"	11#
C-DR-19 to 24	\$301	19" to 24"	14#
C-DR-25 to 30	\$332	25" to 30"	16#
C-DR-31 to 36	\$361	31" to 36"	18#
C-DR-37 to 42	\$391	37" to 42"	21#
C-DR-43 to 48	\$421	43" to 48"	24#
C-DR-49 to 54	\$519	49" to 54"	28#
C-DR-55 to 60	\$549	55" to 60"	32#
C-DR-61 to 66	\$579	61" to 66"	36#
C-DR-67 to 72	\$610	67" to 72"	40#

PRODUCT INFORMATION

(see C-SR and C-DR Spec Sheets for complete details)

STANDARD FEATURES

- All stainless steel construction
- Available in single and double step models
- Available in custom lengths up to 72".
NOTE: Custom lengths are manufactured to order and are not returnable.
- Locking covers are available in custom lengths up to 48". For longer speed rails order two covers at half the length. For double speed rails order two times the number of covers.



C-SRC-18



C-SRC-18
Shown installed
on speed rail

LOCKING SPEED RAIL COVERS

MODEL	LIST	LENGTH	WEIGHT
C-SRC-12	\$230	12"	7#
C-SRC-13 to 18	\$249	13" to 18"	9#
C-SRC-19 to 24	\$267	19" to 24"	11#
C-SRC-25 to 30	\$286	25" to 30"	13#
C-SRC-31 to 36	\$307	31" to 36"	16#
C-SRC-37 to 42	\$325	37" to 42"	18#
C-SRC-43 to 48	\$345	43" to 48"	21#

Model number C-MD-41 Choice modular bar die has an overall height of 41", which provides the appropriate overall height for most bar applications. However, some interior designs require an extra thick bar top, so Choice modular bar die is also available with an overall height of 38". See model C-MD-38.

With the Choice Modular Bar Die, underbar equipment is mounted to and supported on the bar die. All the underbar equipment is pre-assembled and mounted to the bar die at the factory, then broken down into shippable sections. Installation of the bar die is very simple - easier than a conventional style underbar with a millwork bar die. The result is a beautiful, innovative underbar line up that is sealed to the floor, stainless from floor to bar top, eliminates all underbar leg sets, and hides the soda, beer, electrical, and plumbing lines.

PRODUCT INFORMATION

(see C-MD Spec Sheet for complete details)

FEATURES

- 16 gauge galvanized steel structure with stainless steel bartender side finishing
- GFI outlets built into bar die wall based on customer preference (wiring not provided)
- LED lights built into bar die wall above underbar equipment (wiring not provided)
- Built in chaseways for beer, soda, plumbing, and electrical lines

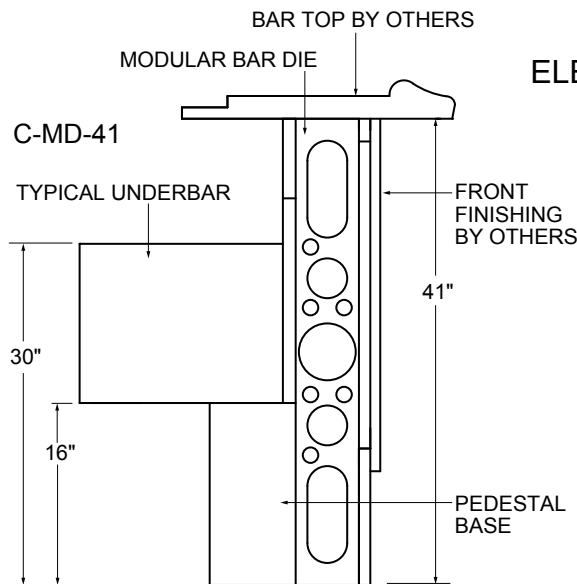
The total Number of feet required is calculated by determining the overall outside dimension of the bar die wall. Please round up to the nearest whole foot.

BENEFITS

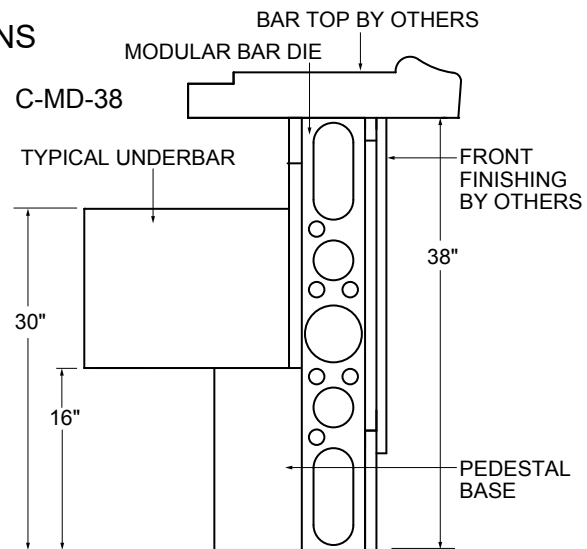
- Stainless steel from floor to bar top on bartender side
- Floor can be sealed to the bar die to prevent moisture from seeping from the bartender side to the customer side of the bar
- Galvanized steel structure will not rot
- Built-in chaseways hide beer, soda, plumbing, and electrical lines for a cleaner, more attractive bar
- Arrives pre-assembled from factory in sections up to 10 feet for easy installation - lowers installation costs. Just bolt the sections together, level, and attach the floor.
- Pre-engineered to exact dimensions to ensure a precise fit
- Can be used in conjunction with removable front millwork finishing panels to provide easy access to soda, beer, plumbing, and electrical lines for future modification, maintenance, or repair
- Millwork bar top and front panels can be pre-fabricated and easily attached
- Eliminates all underbar legs for easy cleaning



Bar Fabrication - Choice



SIDE ELEVATIONS



41" HIGH MODULAR BAR DIE

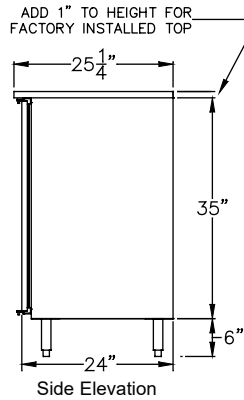
MODEL	DESCRIPTION	LIST	WEIGHT
C-MD-41	Price per foot	\$321	15#

38" HIGH MODULAR BAR DIE

MODEL	DESCRIPTION	LIST	WEIGHT
C-MD-38	Price per foot	\$321	15#



C1FB60 with compressor right, stainless doors/drawers, and stainless top



PRODUCT INFORMATION

(see C1FB Spec Sheet for complete details)

STANDARD FEATURES:

- Self-contained
- All stainless steel interior construction
- Draft beverage compatible - see page 86
- Listed to NSF Standard 7 for open food as a storage refrigerator

COOLERS - ONE ZONE, FRONT SERVICED, BAR PROFILE

MODEL	LIST	LENGTH	DOOR		WEIGHT	AMPS	HP	LONGNECK	750MLWINE	1/2BARREL	1/6BARREL
			CASES	BOTTLES**				KEGS	KEGS		
C1FB32	\$4,467	32"	1	16" W	245#	3.0	1/8	5.8	57	N/A	2 †
C1FB36	\$4,509	36"	1	20" W	255#	3.0	1/8	7.8	70	1	4
C1FB52	\$5,905	52"	2	16" W	350#	7.0	1/4	13.3	116	N/A	7
C1FB60	\$6,062	60"	2	20" W	360#	7.0	1/4	17.3	164	2	8
C1FB72	\$7,015	72"	3	16" W	460#	7.0	1/4	21.1	188	N/A	11
C1FB84	\$7,297	84"	3	20" W	475#	7.0	1/4	27.1	248	4	14 †
C1FB92	\$8,452	92"	4	16" W	570#	7.0	1/4	28.8	260	N/A	15
C1FB108	\$8,721	108"	4	20" W	590#	7.0	1/4	36.8	332	5	18

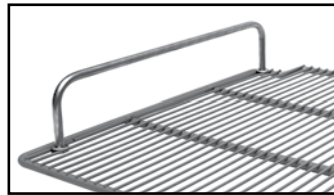
Base price only. See next page for configurable options.

**Wine bottle capacity is based on shelves. Drawers will hold less. NOTE: Coolers with drawers are not returnable.

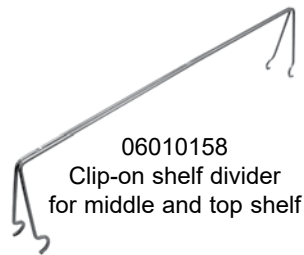
† If CO₂ tank is stored internally, reduce capacity by one keg

Bar Refrigeration

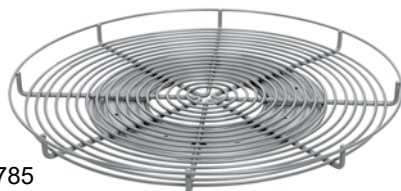
The CO-RR shelf retention rail should be used on all shelves adjacent to drawers and/or kegs. (CO-RR shown installed on shelf)



CWS-20
Wine rack shelf for 20" door opening



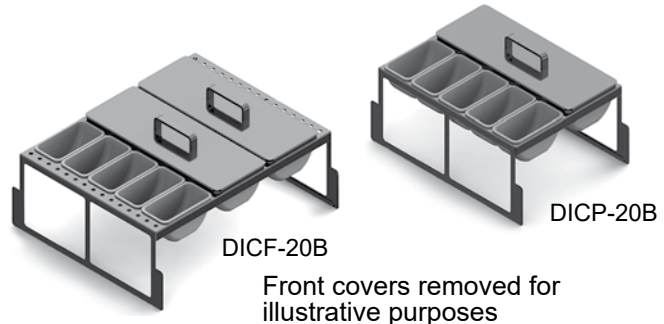
06010158
Clip-on shelf divider for middle and top shelf



06009785

In a typical cooler, only the front row of bottles is easy to access. Glastender's rotary wine shelf increases access by 270% (16 vs. 6 bottles).

The rotary wine shelf is for use with C1FB36, C1FB60, C1FB84, and C1FB108 model coolers. Two rotary shelves can be used behind each 20" cooler door opening, where they sit on two standard cooler shelves. Each rotary shelf holds up to 29 wine bottles (750ml).



DICF-20B

D1CP-20B

Front covers removed for illustrative purposes

ACCESSORIES

MODEL	DESCRIPTION	LIST
06009785	Rotary wine shelf (20" door opening ONLY)	\$183
CO-RR	Shelf retention rail	\$45
CWS-16	Wine rack shelf for 16" door opening, 5 bottle	\$114
CWS-20	Wine rack shelf for 20" door opening, 7 bottle	\$129
DICF-16B	Drawer insert, condiments, full, 16" door opening, bar-profile cooler, 12 cups	\$392
DICP-16B	Drawer insert, condiments, partial, 16" door opening, bar-profile cooler, 8 cups	\$295
DICF-20B	Drawer insert, condiments, full, 20" door opening, bar-profile cooler 15 cups	\$461
DICP-20B	Drawer insert, condiments, partial, 20" door opening, bar-profile cooler, 10 cups	\$342
DIP-20	Drawer insert for food pans	\$181
06010158	Clip-on shelf divider for middle and top shelf	\$25
06006013	Clip-on shelf divider for bottom shelf only	\$25

Draft Beverage Compatible



Select Configurable Options:

VOLTAGE

120V/60HZ	No charge
220V/50HZ (export voltage)	\$194

TEMPERATURE

Beer / Food, 34° to 40°, standard	No charge
White wine, 50° to 55°	No charge
Red wine, 60° to 65°	No charge

REFRIGERATION COMPARTMENT LOCATION

Left	No charge
Right	No charge

REFRIGERATION COMPARTMENT COVER FINISH

Black vinyl-clad	No charge
Unlaminated	No charge
Stainless steel	\$25
Jeweled stainless steel	\$146
Laminated	\$170

DOOR/DRAWER OPTIONS
NOTE: Select options for EACH Door/Drawer Section

STYLE AND FINISH - SPECIFY & ADD FOR EACH SECTION

Door - Black vinyl-clad	No charge
Door - Unlaminated	No charge
Door - Stainless steel	\$30
Door - Jeweled stainless	\$159
Door - Laminated	\$182
Door - Glass, black vinyl-clad	\$352
Door - Glass, stainless steel	\$382
Door - Glass, jeweled stainless	\$511
Door - Glass, laminated	\$534
Drawers* - Black vinyl-clad	\$1,455
Drawers* - Stainless steel	\$1,485
Drawers* - Jeweled stainless	\$1,614
Drawers* - Laminated	\$1,638

*NOTE: Units with drawers are manufactured to order and are not returnable.

DOOR HINGE LOCATION - SPECIFY & ADD FOR EACH DOOR

Left	No charge
Right	No charge

SHELVING - SPECIFY & ADD FOR EACH DOOR

Three adjustable shelves	No charge
Keg rack (deduct shelves)	(\$69)

DOOR HANDLE - SPECIFY & ADD FOR EACH DOOR

NOTE: Drawers come with a stainless pull tab handle

Polished stainless w/lock	No charge
Stainless pull tab w/lock	No charge
Polished brass w/lock	\$150

TOP STYLE

	32"	36"	52"	60"	72"	84"	92"	108"
No finished top	No charge							
Stainless top	\$310	\$326	\$395	\$429	\$481	\$532	\$566	\$635
Laminated top	\$613	\$625	\$677	\$704	\$743	\$782	\$809	\$861

LEFT SIDE FINISH

Black vinyl-clad	No charge
Stainless Steel	\$30
Laminated	\$182

RIGHT SIDE FINISH

Black vinyl-clad	No charge
Stainless Steel	\$30
Laminated	\$182

BACK FINISH

	32"	36"	52"	60"	72"	84"	92"	108"
Galvanized steel	No charge							
Stainless steel*	\$246	\$254	\$289	\$306	\$332	\$357	\$375	\$409

*NOTE: Stainless steel back option also includes stainless steel sides.

LED LIGHTING STYLE

Bright white (7,000k), standard	No charge
Warm white (3,500k)	No charge
Amber (2,700k)	No charge
Blue	No charge

LEG AND STAINLESS STEEL KICK RAILS

NOTE: Legs are required if kick rails are ordered.

	32"	36"	52"	60"	72"	84"	92"	108"
6" legs	\$160	\$160	\$128	\$128	\$192	\$192	\$192	\$192
Front kick rail	\$86	\$89	\$102	\$109	\$119	\$128	\$135	\$147
Left side kick rail	\$80	\$80	\$80	\$80	\$80	\$80	\$80	\$80
Right side kick rail	\$80	\$80	\$80	\$80	\$80	\$80	\$80	\$80

CASTERS

	32"	36"	52"	60"	72"	84"	92"	108"
4" casters	\$138	\$138	\$114	\$114	\$171	\$171	\$171	\$171
2-1/2" casters	\$78	\$78	\$96	\$96	\$128	\$128	\$160	\$160



Stainless pull tab handle



Polished stainless handle



*NOTE: All coolers with drawers are manufactured to order and are not returnable.

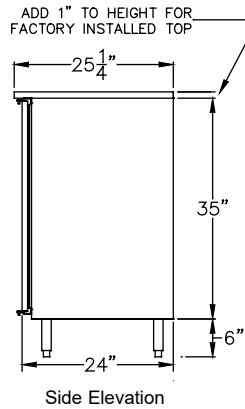
Optional Drawers*
Glastender's refrigerated drawers include adjustable divider walls.

20" wide drawer opening shown

Bar Refrigeration



C2FB60 with compressor right, stainless doors/drawers, and stainless top



Draft Beverage Compatible



PRODUCT INFORMATION

(see C2FB Spec Sheet for complete details)

STANDARD FEATURES:

- Self-contained
- Available in three different configurations: beer/white wine, beer/red wine, or white/red wine
- The warmer compartment is always a single door located opposite the compressor end
- All stainless steel interior construction
- Draft beverage compatible - see page 86
- Listed to NSF Standard 7 for closed container products

*NOTE: C2FB coolers are manufactured to order and are not returnable.

COOLERS - TWO ZONE, FRONT SERVICED, BAR PROFILE

MODEL	LIST	LENGTH	DOORS	DOOR				LONGNECK CASES	750MLWINE BOTTLES**	1/2BARREL KEGS	1/6BARREL KEGS
				OPENING	WEIGHT	AMPS	HP				
C2FB52*	\$6,907	52"	2	16" W	365#	7.0	1/4	11.8	117	N/A	4
C2FB60*	\$7,063	60"	2	20" W	375#	7.0	1/4	15.8	141	2	8 †
C2FB72*	\$8,020	72"	3	16" W	475#	7.0	1/4	19.3	176	N/A	9
C2FB84*	\$8,231	84"	3	20" W	490#	7.0	1/4	25.3	234	3	12
C2FB92*	\$9,454	92"	4	16" W	585#	7.0	1/4	27.1	246	N/A	13
C2FB108*	\$9,723	108"	4	20" W	605#	7.0	1/4	35.1	318	5	18 †

Base price only. See next page for configurable options.

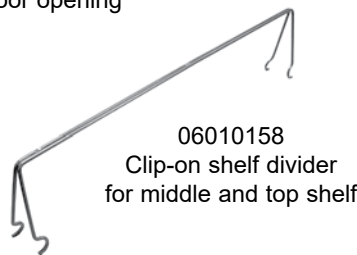
**Wine bottle capacity is based on shelves. Drawers will hold fewer.

† If CO₂ tank is stored internally, reduce capacity by one keg

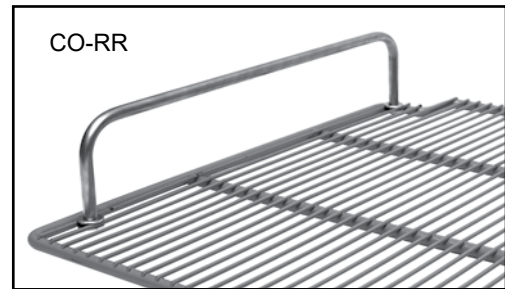
Bar Refrigeration



CWS-20
Wine rack shelf for 20" door opening

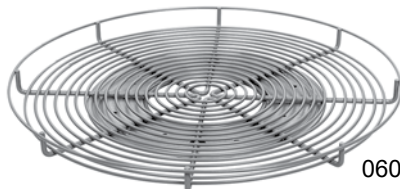


06010158
Clip-on shelf divider for middle and top shelf



CO-RR

The CO-RR shelf retention rail should be used on all shelves adjacent to drawers and/or kegs. (CO-RR shown installed on shelf)



06009785

In a typical cooler, only the front row of bottles is easy to access. Glastender's rotary wine shelf increases access by 270% (16 vs. 6 bottles).

The rotary wine shelf is for use with C1FB36, C1FB60, C1FB84, and C1FB108 model coolers. Two rotary shelves can be used behind each 20" cooler door opening, where they sit on two standard cooler shelves. Each rotary shelf holds up to 29 wine bottles (750ml).

ACCESSORIES

MODEL	DESCRIPTION	LIST
06009785	Rotary wine shelf (20" door opening ONLY)	\$183
CO-RR	Shelf retention rail	\$45
CWS-16	Wine rack shelf for 16" door opening, 5 bottle	\$114
CWS-20	Wine rack shelf for 20" door opening, 7 bottle	\$129
06010158	Clip-on shelf divider for middle and top shelf	\$25
06006013	Clip-on shelf divider for bottom shelf only	\$25

Draft Beverage Compatible



*NOTE: C2FB coolers are manufactured to order and are not returnable.

Select Configurable Options:

VOLTAGE

120V/60HZ	No charge
220V/50HZ (export voltage)	\$194

TEMPERATURE

Beer/White wine - 34° to 40°/ 50° to 55°	No charge
Beer/Red wine - 34° to 40°/ 60° to 65°	No charge
White/Red wine - 50° to 55°/ 60° to 65°	No charge

REFRIGERATION COMPARTMENT LOCATION

Left	No charge
Right	No charge

REFRIGERATION COMPARTMENT COVER FINISH

Black vinyl-clad	No charge
Unlaminated	No charge
Stainless steel	\$25
Jeweled stainless steel	\$146
Laminated	\$170

DOOR/DRAWER OPTIONS

NOTE: Select options for EACH Door/Drawer Section

STYLE AND FINISH - SPECIFY & ADD FOR EACH SECTION

Door - Black vinyl-clad	No charge
Door - Unlaminated	No charge
Door - Stainless steel	\$30
Door - Jeweled stainless	\$159
Door - Laminated	\$182
Door - Glass, black vinyl-clad	\$352
Door - Glass, stainless steel	\$382
Door - Glass, jeweled stainless	\$511
Door - Glass, laminated	\$534
Drawers - Black vinyl-clad	\$1,455
Drawers - Stainless steel	\$1,485
Drawers - Jeweled stainless	\$1,614
Drawers - Laminated	\$1,638

DOOR HINGE LOCATION - SPECIFY & ADD FOR EACH DOOR

Left	No charge
Right	No charge

SHELVING - SPECIFY & ADD FOR EACH DOOR

Three adjustable shelves	No charge
Keg rack (deduct shelves)	(\$69)

DOOR HANDLE - SPECIFY & ADD FOR EACH DOOR

NOTE: Drawers come with a stainless pull tab handle

Polished stainless w/lock	No charge
Stainless pull tab w/lock	No charge
Polished brass w/lock	\$150

Stainless pull tab handle



TOP STYLE

	52"	60"	72"	84"	92"	108"
No finished top	No charge					
Stainless top	\$395	\$429	\$481	\$532	\$566	\$635
Laminated top	\$677	\$704	\$743	\$782	\$809	\$861

LEFT SIDE FINISH

Black vinyl-clad	No charge
Stainless Steel	\$30
Laminated	\$182

RIGHT SIDE FINISH

Black vinyl-clad	No charge
Stainless Steel	\$30
Laminated	\$182

BACK FINISH

	52"	60"	72"	84"	92"	108"
Galvanized steel	No charge					
Stainless steel*	\$289	\$306	\$332	\$357	\$375	\$409

*NOTE: Stainless steel back option also includes stainless steel sides.

LED LIGHTING STYLE

Bright white (7,000k), standard	No charge
Warm white (3,500k)	No charge
Amber (2,700k)	No charge
Blue	No charge

LEG AND STAINLESS STEEL KICK RAILS

NOTE: Legs are required if kick rails are ordered.

	52"	60"	72"	84"	92"	108"
6" legs	\$128	\$128	\$192	\$192	\$192	\$192
Front kick rail	\$102	\$109	\$119	\$128	\$135	\$147
Left side kick rail	\$80	\$80	\$80	\$80	\$80	\$80
Right side kick rail	\$80	\$80	\$80	\$80	\$80	\$80

CASTERS

	52"	60"	72"	84"	92"	108"
4" casters	\$114	\$114	\$171	\$171	\$171	\$171
2-1/2" casters	\$96	\$96	\$128	\$128	\$160	\$160

Polished stainless handle



20" wide drawer opening shown



Optional Drawers

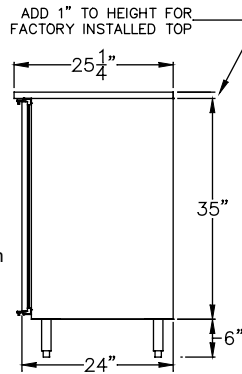
Glastender's refrigerated drawers include adjustable divider walls.

Bar Refrigeration



C1RB60 with refrigeration hook up right, black vinyl-clad glass doors, and stainless top

Side Elevation



PRODUCT INFORMATION

(see C1RB Spec Sheet for complete details)

STANDARD FEATURES:

- Remote unit
- All stainless steel interior construction
- Draft beverage compatible - see page 86
- Listed to NSF Standard 7 for open food as a storage refrigerator

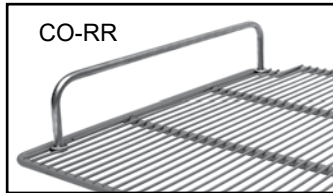
COOLERS - ONE ZONE, REMOTE, BAR PROFILE

MODEL	LIST	LENGTH	DOOR		WEIGHT	BTU /HR	LONGNECK CASES	750MLWINE BOTTLES	1/2BARREL KEGS	1/6BARREL KEGS
			DOORS	OPENING						
C1RB24	\$3,167	24" W	1	20"	175#	800	7.0	60	1	2
C1RB40*	\$4,201	40" W	2	16"	275#	1,000	12.3	116	N/A	6
C1RB48	\$4,401	48" W	2	20"	285#	1,200	16.2	148	2	7
C1RB60*	\$5,577	60" W	3	16"	390#	1,300	19.9	188	N/A	10
C1RB72	\$5,790	72" W	3	20"	405#	1,500	25.9	234	4	11
C1RB80*	\$7,090	80" W	4	16"	500#	1,600	27.7	260	N/A	14
C1RB96	\$7,316	96" W	4	20"	520#	1,900	35.7	318	5	17

Base price only. See next page for configurable options.

*C1RB40, C1RB60, AND C1RB80 are manufactured to order and are not returnable.

Bar Refrigeration



CO-RR

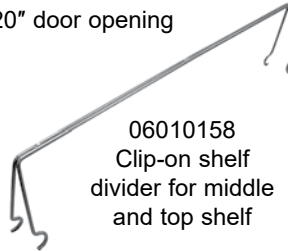
The CO-RR shelf retention rail should be used on all shelves adjacent to kegs. (CO-RR shown installed on shelf)



CWS-20 Wine rack shelf for 20" door opening



CWS-16 Wine rack shelf for 16" door opening



06010158 Clip-on shelf divider for middle and top shelf

CONDENSING UNITS AND INSTALLATION KITS**

MODEL	DESCRIPTION	LIST	WT
06006621**	1/3 HP R134a condensing unit kit, includes filter dryer, sight glass, and defrost timer. 2800 BTU/hr rated cooling capacity at 15°F evaporator temperature and 85°F ambient temperature. (13-1/2"W x 17"D x 9"H)	\$1,206	60#
06006622**	1/2 HP R134a condensing unit kit, includes filter dryer, sight glass, and defrost timer. 4100 BTU/hr rated cooling capacity at 15°F evaporator temperature and 85°F ambient temperature. (13-1/2"W x 18-1/4"D x 9-1/2"H)	\$1,790	60#
06009006**	1/3 HP R404A condensing unit kit, includes filter dryer, sight glass, and defrost timer. 2750 BTU/hr rated cooling capacity at 15°F evaporator temperature and 85°F ambient temperature. (13-1/2"W x 17"D x 9"H)	\$1,916	60#
06009007**	1/2 HP R404A condensing unit kit, includes filter dryer, sight glass, and defrost timer. 4500 BTU/hr rated cooling capacity at 15°F evaporator temperature and 85°F ambient temperature. (13-1/2"W x 18-1/4"D x 9-1/2"H)	\$2,258	60#

****NOTE: Consult the applicable remote refrigerator specification sheet and your refrigeration installer to select the correct condensing unit for your installation. Standard piping practices and local codes should be employed to size and install refrigerant gas and liquid lines.**

ACCESSORIES

MODEL	DESCRIPTION	LIST
CO-RR	Shelf retention rail	\$45
CWS-16	Wine rack shelf for 16" door opening, 5 bottle	\$114
CWS-20	Wine rack shelf for 20" door opening, 7 bottle	\$129
06010158	Clip-on shelf divider for middle and top shelf	\$25
06006013	Clip-on shelf divider for bottom shelf only	\$25

ACCESSORY FOR CONDENSING UNIT

06001413	Switch, low pressure control, for remote condensing unit	\$356	3#
----------	--	-------	----

ACCESSORY FOR REMOTE COOLER CABINET

SVC	Solenoid valve and coil kit, for remote unit	\$199	6#
SVC-L	Solenoid valve and coil kit with factory installation, for remote unit	\$562	6#



*NOTE: C1RB40, C1RB60, and C1RB80 coolers are manufactured to order and are not returnable.

Select Configurable Options:

VOLTAGE	
120V/60HZ	No charge
220V/50HZ (export voltage)	\$98

TEMPERATURE	
Beer / Food, 34° to 40°, standard	No charge
White wine, 50° to 55°	No charge
Red wine, 60° to 65°	No charge

EXPANSION VALVE TYPE	
R134a	No charge
R404a	No charge
R407a/R422D	No charge
R448a	No charge

REFRIGERATION HOOK-UP LOCATION	
Left	No charge
Right	No charge

DOOR OPTIONS

NOTE: Select options for EACH Door Section

STYLE AND FINISH - SPECIFY & ADD FOR EACH DOOR

Door - Black vinyl-clad	No charge
Door - Unlaminated	No charge
Door - Stainless steel	\$30
Door - Jeweled stainless	\$159
Door - Laminated	\$182
Door - Glass, black vinyl-clad	\$352
Door - Glass, stainless steel	\$382
Door - Glass, jeweled stainless	\$511
Door - Glass, laminated	\$534

DOOR HINGE LOCATION - SPECIFY & ADD FOR EACH DOOR

Left	No charge
Right	No charge

SHELVING - SPECIFY & ADD FOR EACH DOOR

Three adjustable shelves	No charge
Keg rack (deduct shelving)	(\$69)

DOOR HANDLE - SPECIFY & ADD FOR EACH DOOR

Polished stainless w/lock	No charge
Stainless pull tab w/lock	No charge
Polished brass w/lock	\$150

TOP STYLE	24"	40"	48"	60"	72"	80"	96"
No finished top	No charge						
Stainless top	\$276	\$343	\$378	\$429	\$481	\$515	\$584
Laminated top	\$586	\$638	\$665	\$704	\$743	\$770	\$822

LEFT SIDE FINISH	
Black vinyl-clad	No charge
Stainless Steel	\$30
Laminated	\$182

RIGHT SIDE FINISH	
Black vinyl-clad	No charge
Stainless Steel	\$30
Laminated	\$182

BACK FINISH	24"	40"	48"	60"	72"	80"	96"
Galvanized steel	No charge						
Stainless steel*	\$229	\$263	\$281	\$306	\$332	\$349	\$384

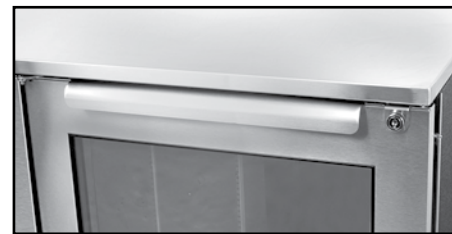
*NOTE: Stainless steel back option also includes stainless steel sides.

LED LIGHTING STYLE	
Bright white (7,000k), standard	No charge
Warm white (3,500k)	No charge
Amber (2,700k)	No charge
Blue	No charge

LEG AND STAINLESS STEEL KICK RAILS

NOTE: Legs are required if kick rails are ordered.

	24"	40"	48"	60"	72"	80"	96"
6" legs	\$128	\$128	\$128	\$192	\$192	\$192	\$192
Front kick rail	\$80	\$92	\$99	\$109	\$119	\$125	\$138
Left side kick rail	\$80	\$80	\$80	\$80	\$80	\$80	\$80
Right side kick rail	\$80	\$80	\$80	\$80	\$80	\$80	\$80

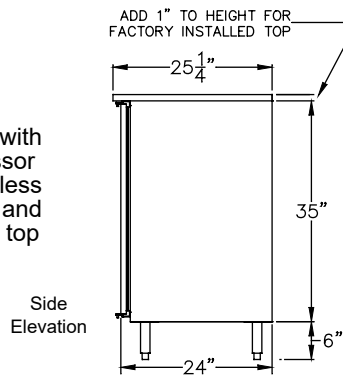


Stainless pull tab handle
Polished stainless handle

Bar Refrigeration



C1SB24 with compressor left, stainless drawers, and stainless top



PRODUCT INFORMATION

(see C1SB Spec Sheet for complete details)

STANDARD FEATURES:

- Self-contained
- All stainless steel interior construction
- Draft beverage compatible - see page 86
- Listed to NSF Standard 7 for open food as a storage refrigerator

COOLERS - ONE ZONE, SIDE SERVICED, BAR PROFILE

MODEL	LIST	LENGTH	DOOR					AMPS	HP	LONGNECK	750MLWINE	1/2BARREL	1/6BARREL
			DOORS	OPENING	WEIGHT	CASES	BOTTLES**			KEGS	KEGS		
C1SB24	\$3,998	24"	1	17.5" W	213#	2.75	1/8	5.8	60	1	3	0	
C1SB28*	\$4,199	28"	1	20" W	236#	2.75	1/8	6.6	72	1	4	1	
C1SB36*	\$5,587	36"	2	12" W	302#	2.75	1/8	8.9	106	N/A	5	1	
C1SB44*	\$5,830	44"	2	16" W	332#	2.75	1/8	12.0	132	N/A	7	1	
C1SB48	\$5,953	48"	2	18" W	345#	2.75	1/8	13.2	154	2	8	1	

Base price only. See next page for configurable options.

*NOTE: C1SB28, C1SB36, and C1SB44 coolers are manufactured to order and are not returnable.

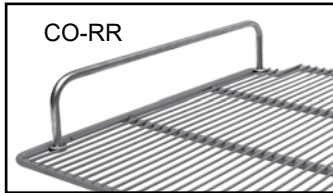
** Wine bottle capacity is based on shelves. Drawers will hold fewer. NOTE: Coolers with drawers are not returnable.

† If CO₂ tank is stored internally, reduce capacity by one keg

0 Requires one 05001026 low profile Sanke keg tap - see page 86

▲ Requires two 05001026 low profile Sanke keg taps - see page 86

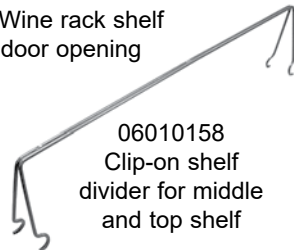
Bar Refrigeration



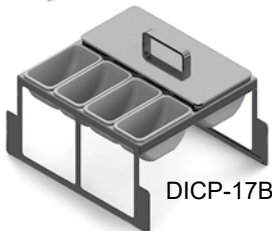
The CO-RR shelf retention rail should be used on all shelves adjacent to kegs. (CO-RR shown installed on shelf)



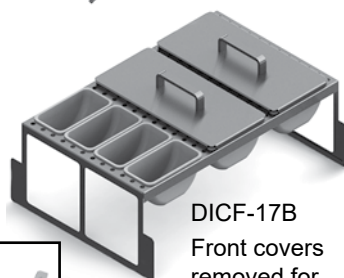
CWS-20 Wine rack shelf for 20" door opening



06010158 Clip-on shelf divider for middle and top shelf



DICF-17B



DICF-17B Front covers removed for illustrative purposes



DIP-18 Pans not included

ACCESSORIES

MODEL	DESCRIPTION	LIST
CO-RR	Shelf retention rail	\$45
CWS-12	Wine rack shelf for 12" door opening, 3 bottle	\$98
CWS-16	Wine rack shelf for 16" door opening, 5 bottle	\$114
CWS-17	Wine rack shelf for 17.5" door opening, 5 bottle	\$122
CWS-18	Wine rack shelf for 18" door opening, 5 bottle	\$124
CWS-20	Wine rack shelf for 20" door opening, 7 bottle	\$129
DICF-12B	Drawer insert, condiments, full, 12" door opening, bar-profile cooler, 8 cups	\$305
DICP-12B	Drawer insert, condiments, partial, 12" door opening, bar-profile cooler, 6 cups	\$245
DICF-16B	Drawer insert, condiments, full, 16" door opening, bar-profile cooler, 12 cups	\$392
DICP-16B	Drawer insert, condiments, partial, 16" door opening, bar-profile cooler, 8 cups	\$295
DICF-17B	Drawer insert, condiments, full, 17.5" door opening, bar-profile cooler, 12 cups	\$394
DICP-17B	Drawer insert, condiments, partial, 17.5" door opening, bar-profile cooler, 8 cups	\$297
DICF-18B	Drawer insert, condiments, full, 18" door opening, bar-profile cooler, 12 cups	\$396
DICP-18B	Drawer insert, condiments, partial, 18" door opening, bar-profile cooler, 8 cups	\$299
DICF-20B	Drawer insert, condiments, full, 20" door opening, bar-profile cooler, 15 cups	\$461
DICP-20B	Drawer insert, condiments, partial, 20" door opening, bar-profile cooler, 10 cups	\$342
DIP-17	Drawer insert for fractional stainless pans, 17.5" door opening (pans not included)	\$162
DIP-18	Drawer insert for fractional stainless pans, 18" door opening (pans not included)	\$166
DIP-20	Drawer insert for fractional stainless pans, 20" door opening (pans not included)	\$181
06010158	Clip-on shelf divider for middle and top shelf	\$25
06006013	Clip-on shelf divider for bottom shelf only	\$25

Draft Beverage Compatible



Select Configurable Options:

VOLTAGE

120V/60HZ	No charge
220V/50HZ (export voltage)	\$194

TEMPERATURE

Beer / Food, 34° to 40°, standard	No charge
White wine, 50° to 55°	No charge
Red wine, 60° to 65°	No charge

REFRIGERATION COMPARTMENT LOCATION

Left	No charge
Right	No charge

REFRIGERATION COMPARTMENT COVER FINISH

Black vinyl-clad	No charge
Stainless steel	\$25
Jeweled stainless steel	\$146

DOOR/DRAWER OPTIONS

NOTE: Select options for EACH Door/Drawer Section

STYLE AND FINISH - SPECIFY & ADD FOR EACH SECTION

Door - Black vinyl-clad	No charge
Door - Unlaminated	No charge
Door - Stainless steel	\$30
Door - Jeweled stainless	\$159
Door - Laminated	\$182
Door - Glass, black vinyl-clad	\$352
Door - Glass, stainless steel	\$382
Door - Glass, jeweled stainless	\$511
Door - Glass, laminated	\$534
Drawers* - Black vinyl-clad	\$1,455
Drawers* - Stainless steel	\$1,485
Drawers* - Jeweled stainless	\$1,614
Drawers* - Laminated	\$1,638

*NOTE: Units with drawers are manufactured to order and are not returnable.

DOOR HINGE LOCATION - SPECIFY & ADD FOR EACH DOOR

Left	No charge
Right	No charge

SHELVING - SPECIFY & ADD FOR EACH DOOR

Three adjustable shelves	No charge
Keg rack (deduct shelves)	(\$69)

DOOR HANDLE - SPECIFY & ADD FOR EACH DOOR

NOTE: Drawers come with a stainless pull tab handle	
Polished stainless w/lock	No charge
Stainless pull tab w/lock	No charge
Polished brass w/lock	\$150

*NOTE: C1SB28, C1SB36, and C1SB44 coolers are manufactured to order and are not returnable.

TOP STYLE

	24"	28"	36"	44"	48"
No finished top	No charge				
Stainless top	\$276	\$293	\$326	\$361	\$378
Laminated top	\$586	\$599	\$625	\$652	\$665

LEFT SIDE FINISH

Black vinyl-clad	No charge
Stainless Steel	\$30
Laminated	\$182

RIGHT SIDE FINISH

Black vinyl-clad	No charge
Stainless Steel	\$30
Laminated	\$182

BACK FINISH

	24"	28"	36"	44"	48"
Galvanized steel	No charge				
Stainless steel*	\$229	\$237	\$254	\$271	\$281

*NOTE: Stainless steel back option also includes stainless steel sides.

LED LIGHTING STYLE

Bright white (7,000k), standard	No charge
Warm white (3,500k)	No charge
Amber (2,700k)	No charge
Blue	No charge

LEG AND STAINLESS STEEL KICK RAILS

NOTE: Legs are required if kick rails are ordered.

	24"	28"	36"	44"	48"
6" legs	\$128	\$128	\$128	\$128	\$128
Front kick rail	\$80	\$83	\$89	\$95	\$99
Left side kick rail	\$80	\$80	\$80	\$80	\$80
Right side kick rail	\$80	\$80	\$80	\$80	\$80

CASTERS

	24"	28"	36"	44"	48"
4" casters	\$114	\$114	\$114	\$114	\$114
2-1/2" casters	\$64	\$64	\$64	\$64	\$64



Stainless pull tab handle



Polished stainless handle



*NOTE: All coolers with drawers are manufactured to order and are not returnable.

Optional Drawers*

Glastender's refrigerated drawers include adjustable divider walls.

20" wide drawer opening shown

Bar Refrigeration



C2SB48 with compressor left, stainless drawers, and stainless top



PRODUCT INFORMATION

(see C2SB Spec Sheet for complete details)

STANDARD FEATURES:

- Self-contained
- All stainless steel interior construction
- Available in three different configurations: beer/white wine, beer/red wine, or white/red wine
- The warmer compartment is always a single door located opposite the compressor end
- Draft beverage compatible - see page 86
- Listed to NSF Standard 7 for closed container products

*NOTE: C2SB coolers are manufactured to order and are not returnable.

COOLERS - TWO ZONE, SIDE SERVICED, BAR PROFILE

MODEL	LIST	LENGTH	DOORS	DOOR				LONGNECK	750MLWINE	1/2BARREL	1/6BARREL
				OPENING	WEIGHT	AMPS	HP	CASES	BOTTLES**	KEGS	KEGS
C2SB36	\$6,481	36"	2	12" W	317#	2.75	1/8	6.5	72	N/A	4 † ♠
C2SB44	\$6,732	44"	2	16" W	347#	2.75	1/8	9.7	120	N/A	4 ♠
C2SB48	\$6,858	48"	2	18" W	360#	2.75	1/8	12.5	120	2	6 ♠

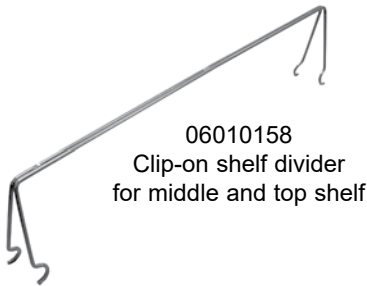
Base price only. See next page for configurable options.

**Wine bottle capacity is based on shelves. Drawers will hold fewer.

† If CO₂ tank is stored internally, reduce capacity by one keg

♠ Requires one 05001026 low profile Sanke keg tap - see page 86

Bar Refrigeration



06010158
Clip-on shelf divider
for middle and top shelf



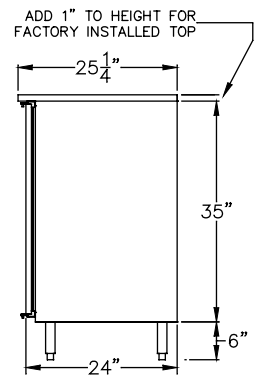
Optional Drawers

Glastender's refrigerated drawers include adjustable divider walls.

20" wide drawer opening shown



CWS-16
Wine rack shelf for
16" door opening



Side Elevation

ACCESSORIES

MODEL	DESCRIPTION	LIST
CWS-12	Wine rack shelf for 12" door opening, 3 bottle	\$98
CWS-16	Wine rack shelf for 16" door opening, 5 bottle	\$114
CWS-18	Wine rack shelf for 18" door opening, 5 bottle	\$124
06010158	Clip-on shelf divider for middle and top shelf	\$25
06006013	Clip-on shelf divider for bottom shelf only	\$25

Draft Beverage Compatible



*NOTE: C2SB coolers are manufactured to order and are not returnable.

Select Configurable Options:

VOLTAGE

120V/60HZ	No charge
220V/50HZ (export voltage)	\$194

TEMPERATURE

Beer/White wine - 34° to 40°/ 50° to 55°	No charge
Beer/Red wine - 34° to 40°/ 60° to 65°	No charge
White/Red wine - 50° to 55°/ 60° to 65°	No charge

REFRIGERATION COMPARTMENT LOCATION

Left	No charge
Right	No charge

REFRIGERATION COMPARTMENT COVER FINISH

Black vinyl-clad	No charge
Stainless steel	\$25
Jeweled stainless steel	\$146

DOOR/DRAWER OPTIONS

NOTE: Select options for EACH Door/Drawer Section

STYLE AND FINISH - SPECIFY & ADD FOR EACH SECTION

Door - Black vinyl-clad	No charge
Door - Unlaminated	No charge
Door - Stainless steel	\$30
Door - Jeweled stainless	\$159
Door - Laminated	\$182
Door - Glass, black vinyl-clad	\$352
Door - Glass, stainless steel	\$382
Door - Glass, jeweled stainless	\$511
Door - Glass, laminated	\$534
Drawers - Black vinyl-clad	\$1,455
Drawers - Stainless steel	\$1,485
Drawers - Jeweled stainless	\$1,614
Drawers - Laminated	\$1,638

DOOR HINGE LOCATION - SPECIFY & ADD FOR EACH DOOR

Left	No charge
Right	No charge

SHELVING - SPECIFY & ADD FOR EACH DOOR

Three adjustable shelves	No charge
Keg rack (deduct shelves)	(\$69)

DOOR HANDLE - SPECIFY & ADD FOR EACH DOOR

NOTE: Drawers come with a stainless pull tab handle

Polished stainless w/lock	No charge
Stainless pull tab w/lock	No charge
Polished brass w/lock	\$150



Stainless pull tab handle

TOP STYLE

	36"	44"	48"
No finished top	No charge		
Stainless top	\$326	\$361	\$378
Laminated top	\$625	\$652	\$665

LEFT SIDE FINISH

Black vinyl-clad	No charge
Stainless Steel	\$30
Laminated	\$182

RIGHT SIDE FINISH

Black vinyl-clad	No charge
Stainless Steel	\$30
Laminated	\$182

BACK FINISH

	36"	44"	48"
Galvanized steel	No charge		
Stainless steel*	\$254	\$271	\$281

*NOTE: Stainless steel back option also includes stainless steel sides.

LED LIGHTING STYLE

Bright white (7,000k), standard	No charge
Warm white (3,500k)	No charge
Amber (2,700k)	No charge
Blue	No charge

LEG AND STAINLESS STEEL KICK RAILS

NOTE: Legs are required if kick rails are ordered.

	36"	44"	48"
6" legs	\$128	\$128	\$128
Front kick rail	\$89	\$95	\$99
Left side kick rail	\$80	\$80	\$80
Right side kick rail	\$80	\$80	\$80

CASTERS

	36"	44"	48"
4" casters	\$114	\$114	\$114
2-1/2" casters	\$64	\$64	\$64



Polished stainless handle

Bar Refrigeration



KC72

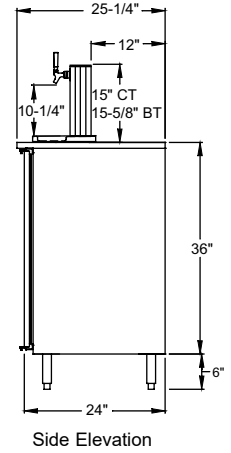


PRODUCT INFORMATION

(see KC72 Spec Sheet for complete details)

STANDARD FEATURES:

- Self-contained
- Galvanized interior construction with stainless steel floor
- Stainless steel keg racks and 1/2" thick high-impact polypropylene threshold scuff plates
- Wide center mullion provides additional storage capacity
- Blower hose off evaporator for cooling tower
- Listed to NSF Standard 7 for closed container products



72" KEG COOLER

MODEL	LIST	LENGTH	DOORS	DOOR		AMPS	HP	1/2BARREL		1/6BARREL
				OPENING	WEIGHT			KEGS	KEGS	
KC72	\$6,146	72"	2	20" W	410#	7.0	1/4	3	11	

Base price only. See below for configurable options.

Select Configurable Options:

Bar Refrigeration

VOLTAGE	
120V/60HZ	No charge
220V/50HZ (export voltage)	\$194

TEMPERATURE	
Beer, 34° to 40°, standard	No charge
White wine, 50° to 55°	No charge
Red wine, 60° to 65°	No charge

REFRIGERATION COMPARTMENT LOCATION	
Left	No charge
Right	No charge

FRONT FINISH	
Black vinyl-clad	No charge
Stainless steel	\$110

DOOR OPTIONS
NOTE: Select options for EACH Door Section

DOOR HINGE LOCATION - SPECIFY & ADD FOR EACH DOOR	
Left	No charge
Right	No charge

DOOR HANDLE - SPECIFY & ADD FOR EACH DOOR	
Polished stainless w/lock	No charge
Stainless pull tab w/lock	No charge
Polished brass w/lock	\$150

TOP STYLE	
No finished top	No charge
Stainless top	\$481
Laminated top	\$743

LEFT SIDE FINISH	
Black vinyl-clad	No charge
Stainless Steel	\$30
Laminated	\$182

RIGHT SIDE FINISH	
Black vinyl-clad	No charge
Stainless Steel	\$30
Laminated	\$182

BACK FINISH	
Galvanized steel	No charge
Stainless steel*	\$332

*NOTE: Stainless steel back option also includes stainless steel sides.

LEG AND STAINLESS STEEL KICK RAILS

NOTE: Legs are required if kick rails are ordered.

6" legs	\$192
Front kick rail	\$119
Left side kick rail	\$80
Right side kick rail	\$80

CASTERS	
4" casters	\$171
2-1/2" casters	\$128



Stainless pull tab handle

Polished stainless handle

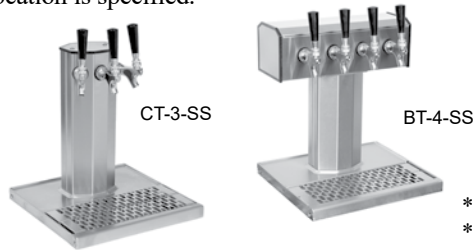


Configuring Bar Profile Coolers for Draft Beverage Dispensing

All Glastender bar profile coolers can be configured for draft beverage dispensing. Please note that a minimum 17" wide door opening is required for full size (i.e., 16" diameter) 1/2 barrel kegs. Refer to the capacity statements in the Product Directory or Specification Sheet for the sizes and quantities of kegs each unit will hold. Please also note that the ceiling hung evaporators in remote style coolers may prevent the mounting of beverage towers or at least limit where they can be located.

Direct Draw Draft Beverage Towers

Glastender Column and Tee Towers come standard with the stainless steel faucets and shanks necessary to dispense keg beer, wine, soda, coffee, or cocktails. Each tower includes a drain pan and each faucet includes 72" of 3/16" ID restriction line with a nut, stem, and washer. Mounting holes will be pre-drilled at the factory if the host cooler is ordered with a finished top and the tower location is specified.



Look for the Draft Beer Compatible logo



DIRECT DRAW DRAFT BEVERAGE TOWERS

GRAINLINE FINISH		MIRROR FINISH		BRASS FINISH**		FAUCETS	WGT
MODEL	LIST	MODEL	LIST	MODEL	LIST		
CT-1-SS	\$723	CT-1-MF	\$869	CT-1-PB*	\$1,347	1	13#
CT-2-SS	\$971	CT-2-MF	\$1,116	CT-2-PB*	\$1,606	2	15#
CT-3-SS	\$1,218	CT-3-MF	\$1,363	CT-3-PB*	\$1,866	3	18#
BT-4-SS	\$1,485	BT-4-MF	\$1,626	BT-4-PB*	\$2,190	4	23#
BT-5-SS	\$1,767	BT-5-MF	\$1,936	BT-5-PB*	\$2,538	5	27#
BT-6-SS	\$2,049	BT-6-MF	\$2,245	BT-6-PB*	\$2,884	6	31#
BT-8-SS*	\$2,725	BT-8-MF*	\$2,976	BT-8-PB*	\$3,812	8	39#
BT-10-SS*	\$3,289	BT-10-MF*	\$3,596	BT-10-PB*	\$4,506	10	57#
BT-12-SS*	\$3,853	BT-12-MF*	\$4,215	BT-12-PB*	\$5,199	12	65#

*NOTE: These Tee Towers are manufactured to order and are not returnable

** NOTE: Brass finish towers provided with mirror finish drain pan and brass finish perforated insert

Tower Cooler Kits

Direct draw beverage towers are chilled by air from inside the host cooler. This is especially important for draft beer, as warm faucets cause the beer to foam. For 1 and 2-door coolers, an evaporator hose tower cooling kit is sufficient. For 3 and 4-door coolers, specify the blower motor tower cooling kit. For two towers on one cooler, specify the blower motor tower cooling kit with tee.

TOWER COOLING KITS

MODEL	DESCRIPTION	LIST	WGT
06007097	Evap. hose cooling kit, 1 & 2-door coolers	\$120	2#
06007067	Blower motor cooling kit, 3 & 4-door coolers	\$232	3#
06007049	Blower w/tee cooling kit, for 2 towers	\$306	5#

PRIMARY REGULATOR KITS

Primary regulators are used to step down the CO₂ or nitrogen pressure from the main source. A tank mount CO₂ primary regulator attaches directly to the CO₂ tank. A bulk or in-line CO₂ primary regulator is used to splice into a CO₂ line when the CO₂ tank is shared by more than one system. A tank mount nitrogen primary regulator is used with pre-blended nitrogen and CO₂ or pure nitrogen gas. Each primary regulator kit includes 50 feet of nylon braided hose.

MODEL	DESCRIPTION	LIST	WGT
PRK-TC	Tank mount CO ₂ primary regulator kit	\$200	15#
PRK-BC	Bulk CO ₂ primary regulator kit	\$234	15#
PRK-TN	Tank mount nitrogen primary regulator kit	\$270	15#

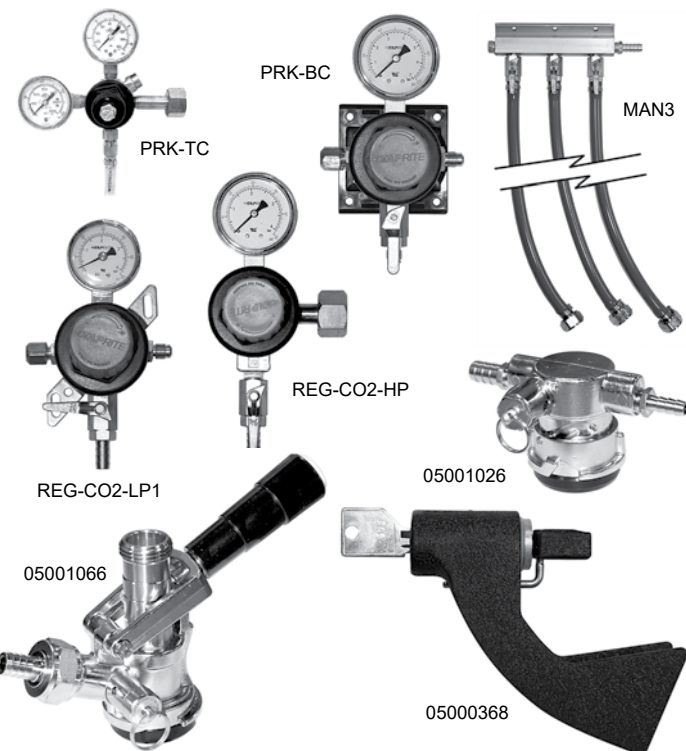
SECONDARY REGULATOR KITS

The REG-CO2-LP1 secondary regulator kit is normally mounted inside the direct draw cooler and connects to the gas line coming from the externally mounted primary regulator. For installations with more than one keg on tap, also order the appropriate manifold kit(s). When no external source of CO₂ is available, a 5 pound CO₂ cylinder may be stored inside the cooler, which will require the REG-CO2-HP regulator. A manifold kit will also be required if there is more than one keg on tap.

MODEL	DESCRIPTION	LIST	WGT
REG-CO2-LP1	Secondary regulator kit	\$212	7#
REG-CO2-HP	Primary regulator kit for use with 5# CO ₂ tank	\$178	7#
MAN2	Two product manifold kit	\$156	2#
MAN3	Three product manifold kit	\$193	3#
MAN4	Four product manifold kit	\$236	4#
MAN5	Five product manifold kit	\$288	5#
MAN6	Six product manifold kit	\$341	6#

ADDITIONAL ACCESSORIES

MODEL	DESCRIPTION	LIST	WGT
03004240	1/2" ID black drain line, per foot	\$1.92	N/A
05000400	5/16" ID red vinyl air line, per foot	\$1.74	N/A
05000386	1/4" ID nylon braided air line, per foot	\$0.90	N/A
05001066	Sanke keg tap, stainless steel probe	\$77.00	2#
05001026	Sanke keg tap, low profile	\$290.00	2#
05000368	Lock for beer faucet	\$90.00	2#
05000636	5# CO ₂ tank (unfilled)	\$258	15#
LCK	Line cleaning kit	\$175	
06007084	Drain bottle	\$36	



Bar Refrigeration



CS1FB60 with compressor right, stainless doors and top

COOLERS - SHALLOW DEPTH, ONE ZONE, FRONT SERVICED, BAR PROFILE

MODEL	LIST	LENGTH	DOOR		WEIGHT	AMPS	HP	LONGNECK	750MLWINE
			DOORS	OPENING				CASES	BOTTLES
CS1FB52	\$5,720	52"	2	16" W	300#	3.5	1/8	8.1	77
CS1FB60	\$5,877	60"	2	20" W	325#	3.5	1/8	10.6	102
CS1FB72	\$6,803	72"	3	16" W	370#	3.5	1/8	12.8	121
CS1FB84	\$7,085	84"	3	20" W	410#	3.5	1/8	16.6	162

Base price only. See next page for configurable options.

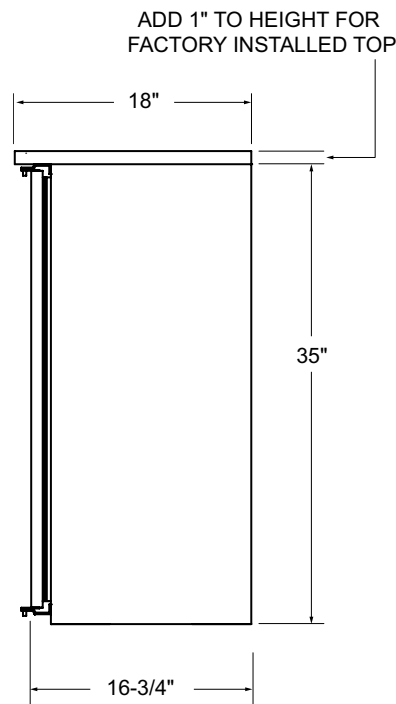
*NOTE: CS1FB units are manufactured to order and are not returnable.

PRODUCT INFORMATION

(see CS1FB Spec Sheet for complete details)

STANDARD FEATURES:

- Self contained
- All stainless steel interior construction
- Three adjustable coated shelves per door included
- Listed as NSF Standard 7 for open food as a display refrigerator



Side Elevation

*NOTE: CS1FB units are manufactured to order and are not returnable.

Select Configurable Options:

VOLTAGE

120V/60HZ	No charge
220V/50HZ (export voltage)	\$194

TEMPERATURE

Beer / Food, 34° to 40°, standard	No charge
White wine, 50° to 55°	No charge
Red wine, 60° to 65°	No charge

REFRIGERATION COMPARTMENT LOCATION

Left	No charge
Right	No charge

REFRIGERATION COMPARTMENT COVER FINISH

Black vinyl-clad	No charge
Unlaminated	No charge
Stainless steel	\$25
Jeweled stainless steel	\$146
Laminated	\$170

DOOR OPTIONS

NOTE: Select options for EACH Door Section

STYLE AND FINISH - SPECIFY & ADD FOR EACH SECTION

Door - Black vinyl-clad	No charge
Door - Unlaminated	No charge
Door - Stainless steel	\$30
Door - Jeweled stainless	\$159
Door - Laminated	\$182
Door - Glass, black vinyl-clad	\$352
Door - Glass, stainless steel	\$382
Door - Glass, jeweled stainless	\$511
Door - Glass, laminated	\$534

DOOR HINGE LOCATION - SPECIFY & ADD FOR EACH DOOR

Left	No charge
Right	No charge

DOOR HANDLE - SPECIFY & ADD FOR EACH DOOR

Polished stainless w/lock	No charge
Stainless pull tab w/lock	No charge
Polished brass w/lock	\$150

TOP STYLE

	52"	60"	72"	84"
No finished top				No charge
Stainless top	\$395	\$429	\$481	\$532
Laminated top	\$677	\$704	\$743	\$782

LEFT SIDE FINISH

Black vinyl-clad	No charge
Stainless Steel	\$30
Laminated	\$182

RIGHT SIDE FINISH

Black vinyl-clad	No charge
Stainless Steel	\$30
Laminated	\$182

BACK FINISH

	52"	60"	72"	84"
Galvanized steel				No charge
Stainless steel*	\$289	\$306	\$332	\$357

*NOTE: Stainless steel back option also includes stainless steel sides.

LED LIGHTING STYLE

Bright white (7,000k), standard	No charge
Warm white (3,500k)	No charge
Amber (2,700k)	No charge
Blue	No charge

LEG AND STAINLESS STEEL KICK RAILS

NOTE: Legs are required if kick rails are ordered.

	52"	60"	72"	84"
6" legs	\$128	\$128	\$192	\$192
Front kick rail	\$102	\$109	\$119	\$128
Left side kick rail	\$80	\$80	\$80	\$80
Right side kick rail	\$80	\$80	\$80	\$80

CASTERS

	52"	60"	72"	84"
4" casters	\$114	\$114	\$171	\$171
2-1/2" casters	\$96	\$96	\$128	\$128



Stainless pull tab handle



Polished stainless handle



CS1RB40 with refrigeration hook up left, vinyl-clad doors, and stainless steel top

PRODUCT INFORMATION

(see CS1RB Spec Sheet for complete details)

STANDARD FEATURES:

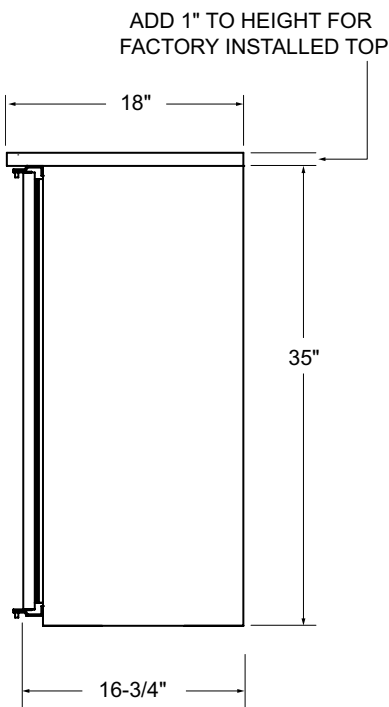
- DOE 2017 compliant
- Remote unit
- All stainless steel interior construction
- Three adjustable coated shelves per door included
- Listed to NSF Standard 7 for open food as a storage refrigerator

COOLERS - SHALLOW DEPTH, ONE ZONE, REMOTE, BAR PROFILE*

MODEL	LIST	LENGTH	DOORS	WEIGHT	BTU/HR	LONG NECK 750ML WINE	
						CASES	BOTTLES
CS1RB40*	\$4,002	40"	2	260#	975	7.1	66
CS1RB60*	\$5,313	60"	3	370#	1,250	11.8	110
CS1RB80*	\$6,753	80"	4	475#	1,550	16.4	152

Base price only. See next page for configurable options.

*NOTE: CS1RB units are manufactured to order and are not returnable.



Side Elevation

CONDENSING UNITS AND INSTALLATION KITS**

MODEL	DESCRIPTION	LIST	WT
06006621**	1/3 HP R134a condensing unit kit, includes filter dryer, sight glass, and defrost timer. 2800 BTU/hr rated cooling capacity at 15°F evaporator temperature and 85°F ambient temperature. (13-1/2"W x 17"D x 9"H)	\$1,206	60#
06006622**	1/2 HP R134a condensing unit kit, includes filter dryer, sight glass, and defrost timer. 4100 BTU/hr rated cooling capacity at 15°F evaporator temperature and 85°F ambient temperature. (13-1/2"W x 18-1/4"D x 9-1/2"H)	\$1,790	60#
06009006**	1/3 HP R404A condensing unit kit, includes filter dryer, sight glass, and defrost timer. 2750 BTU/hr rated cooling capacity at 15°F evaporator temperature and 85°F ambient temperature. (13-1/2"W x 17"D x 9"H)	\$1,916	60#
06009007**	1/2 HP R404A condensing unit kit, includes filter dryer, sight glass, and defrost timer. 4500 BTU/hr rated cooling capacity at 15°F evaporator temperature and 85°F ambient temperature. (13-1/2"W x 18-1/4"D x 9-1/2"H)	\$2,258	60#

**NOTE: Consult the applicable remote refrigerator specification sheet and your refrigeration installer to select the correct condensing unit for your installation. Standard piping practices and local codes should be employed to size and install refrigerant gas and liquid lines.

ACCESSORY FOR CONDENSING UNIT			
06001413	Switch, low pressure control, for remote condensing unit	\$356	3#
ACCESSORY FOR REMOTE COOLER CABINET			
SVC	Solenoid valve and coil kit, for remote unit	\$199	6#
SVC-L	Solenoid valve and coil kit with factory installation, for remote unit	\$562	6#

Bar Refrigeration

*NOTE: CS1RB units are manufactured to order and are not returnable.

Select Configurable Options:

VOLTAGE

120V/60HZ	No charge
220V/50HZ (export voltage)	\$98

TEMPERATURE

Beer / Food, 34° to 40°, standard	No charge
White wine, 50° to 55°	No charge
Red wine, 60° to 65°	No charge

EXPANSION VALVE TYPE

R134a	No charge
R404a	No charge
R407a/R422D	No charge
R448a	No charge

REFRIGERATION HOOK-UP LOCATION

Left	No charge
Right	No charge

DOOR OPTIONS

NOTE: Select options for EACH Door Section

STYLE AND FINISH - SPECIFY & ADD FOR EACH DOOR

Door - Black vinyl-clad	No charge
Door - Unlaminated	No charge
Door - Stainless steel	\$30
Door - Jeweled stainless	\$159
Door - Laminated	\$182
Door - Glass, black vinyl-clad	\$352
Door - Glass, stainless steel	\$382
Door - Glass, jeweled stainless	\$511
Door - Glass, laminated	\$534

DOOR HINGE LOCATION - SPECIFY & ADD FOR EACH DOOR

Left	No charge
Right	No charge

DOOR HANDLE - SPECIFY & ADD FOR EACH DOOR

Polished stainless w/lock	No charge
Stainless pull tab w/lock	No charge
Polished brass w/lock	\$150



Stainless pull tab handle

TOP STYLE

	40"	60"	80"
No finished top	No charge		
Stainless top	\$343	\$429	\$515
Laminated top	\$638	\$704	\$770

LEFT SIDE FINISH

Black vinyl-clad	No charge
Stainless Steel	\$30
Laminated	\$182

RIGHT SIDE FINISH

Black vinyl-clad	No charge
Stainless Steel	\$30
Laminated	\$182

BACK FINISH

	40"	60"	80"
Galvanized steel	No charge		
Stainless steel*	\$263	\$306	\$349

*NOTE: Stainless steel back option also includes stainless steel sides.

LED LIGHTING STYLE

Bright white (7,000k), standard	No charge
Warm white (3,500k)	No charge
Amber (2,700k)	No charge
Blue	No charge

LEG AND STAINLESS STEEL KICK RAILS

NOTE: Legs are required if kick rails are ordered.

	40"	60"	80"
6" legs	\$128	\$192	\$192
Front kick rail	\$92	\$109	\$125
Left side kick rail	\$80	\$80	\$80
Right side kick rail	\$80	\$80	\$80



Polished stainless handle

Bar Refrigeration



C1FL60 with compressor left, stainless doors and top, and stainless pull tab handle

PRODUCT INFORMATION

(see C1FL Spec Sheet for complete details)

STANDARD FEATURES:

- Self-contained
- All stainless steel interior construction
- Two adjustable coated shelves per door
- Listed to NSF Standard 7 for open food as a storage refrigerator

*NOTE: C1FL units are manufactured to order and are not returnable.

COOLERS - ONE ZONE, FRONT SERVICED, LOW PROFILE*

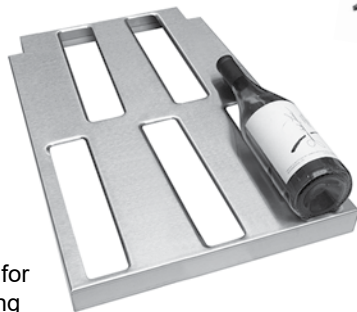
MODEL	LIST	LENGTH	DOORS	DOOR				LONGNECK	750MLWINE
				OPENING	WEIGHT	AMPS	HP	CASES	BOTTLES
C1FL32*	\$4,301	32"	1	16" W	240#	3.0	1/8	3.8	30
C1FL36*	\$4,344	36"	1	20" W	250#	3.0	1/8	5.2	36
C1FL52*	\$5,641	52"	2	16" W	340#	7.0	1/4	8.8	60
C1FL60*	\$5,756	60"	2	20" W	350#	7.0	1/4	11.5	84
C1FL72*	\$6,783	72"	3	16" W	445#	7.0	1/4	14.0	96
C1FL84*	\$6,922	84"	3	20" W	460#	7.0	1/4	18.0	126
C1FL92*	\$8,144	92"	4	16" W	550#	7.0	1/4	19.2	132
C1FL108*	\$8,310	108"	4	20" W	570#	7.0	1/4	24.5	168

Base price only. See next page for configurable options.

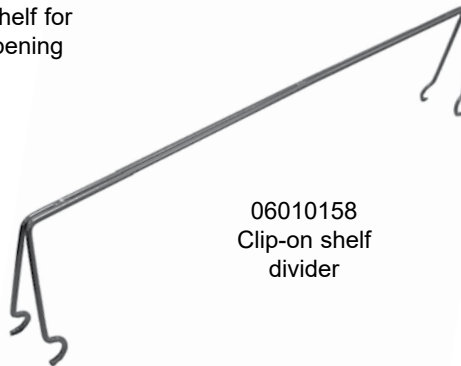
Bar Refrigeration



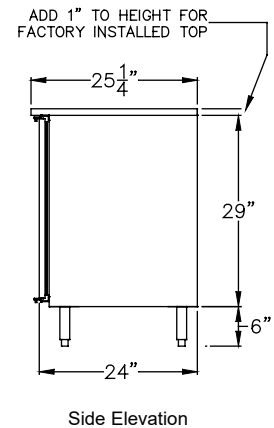
CWS-20
Wine rack shelf for
20" door opening



CWS-16
Wine rack shelf for
16" door opening



06010158
Clip-on shelf
divider



ACCESSORIES

MODEL	DESCRIPTION	LIST
CWS-16	Wine rack shelf for 16" door opening, 5 bottle	\$114
CWS-20	Wine rack shelf for 20" door opening, 7 bottle	\$129
06010158	Clip-on shelf divider	\$25

*NOTE: C1FL units are manufactured to order and are not returnable.

Select Configurable Options:

VOLTAGE

120V/60HZ	No charge
220V/50HZ (export voltage)	\$194

TEMPERATURE

Beer / Food, 34° to 40°, standard	No charge
White wine, 50° to 55°	No charge
Red wine, 60° to 65°	No charge

REFRIGERATION COMPARTMENT LOCATION

Left	No charge
Right	No charge

REFRIGERATION COMPARTMENT COVER FINISH

Black vinyl-clad	No charge
Unlaminated	No charge
Stainless steel	\$25
Jeweled stainless steel	\$146
Laminated	\$170

DOOR OPTIONS

NOTE: Select options for EACH Door Section

STYLE AND FINISH - SPECIFY & ADD FOR EACH SECTION

Door - Black vinyl-clad	No charge
Door - Unlaminated	No charge
Door - Stainless steel	\$30
Door - Jeweled stainless	\$159
Door - Laminated	\$182
Door - Glass, black vinyl-clad	\$352
Door - Glass, stainless steel	\$382
Door - Glass, jeweled stainless	\$511
Door - Glass, laminated	\$534

DOOR HINGE LOCATION - SPECIFY & ADD FOR EACH DOOR

Left	No charge
Right	No charge

DOOR HANDLE - SPECIFY & ADD FOR EACH DOOR

Polished stainless w/lock	No charge
Stainless pull tab w/lock	No charge
Polished brass w/lock	\$150



Polished stainless handle

TOP STYLE

	32"	36"	52"	60"	72"	84"	92"	108"
No finished top	No charge							
Stainless top	\$310	\$326	\$395	\$429	\$481	\$532	\$566	\$635
Laminated top	\$613	\$625	\$677	\$704	\$743	\$782	\$809	\$861
Drainboard top	\$515	\$546	\$665	\$725	\$814	\$904	\$964	\$1083

4" HIGH STAINLESS SPLASHES

	32"	36"	52"	60"	72"	84"	92"	108"
NOTE: Can only be ordered with stainless steel top								
Backsplash	\$110	\$116	\$136	\$145	\$161	\$176	\$186	\$206
Left side splash	\$101	\$101	\$101	\$101	\$101	\$101	\$101	\$101
Right side splash	\$101	\$101	\$101	\$101	\$101	\$101	\$101	\$101

LEFT SIDE FINISH

Black vinyl-clad	No charge
Stainless Steel	\$30
Laminated	\$182

RIGHT SIDE FINISH

Black vinyl-clad	No charge
Stainless Steel	\$30
Laminated	\$182

BACK FINISH

	32"	36"	52"	60"	72"	84"	92"	108"
Galvanized steel	No charge							
Stainless steel*	\$246	\$254	\$289	\$306	\$332	\$357	\$375	\$409

*NOTE: Stainless steel back option also includes stainless steel sides.

LED LIGHTING STYLE

Bright white (7,000k), standard	No charge
Warm white (3,500k)	No charge
Amber (2,700k)	No charge
Blue	No charge

LEG AND STAINLESS STEEL KICK RAILS

NOTE: Legs are required if kick rails are ordered.

	32"	36"	52"	60"	72"	84"	92"	108"
6" legs	\$160	\$160	\$128	\$128	\$192	\$192	\$192	\$192
Front kick rail	\$86	\$89	\$102	\$109	\$119	\$128	\$135	\$147
Left side kick rail	\$80	\$80	\$80	\$80	\$80	\$80	\$80	\$80
Right side kick rail	\$80	\$80	\$80	\$80	\$80	\$80	\$80	\$80

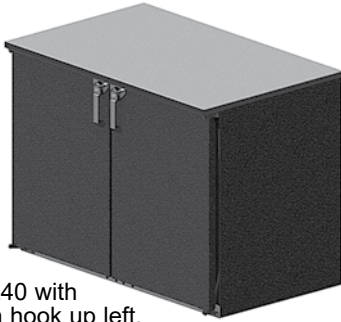
CASTERS

	32"	36"	52"	60"	72"	84"	92"	108"
4" casters	\$138	\$138	\$114	\$114	\$171	\$171	\$171	\$171
2-1/2" casters	\$78	\$78	\$96	\$96	\$128	\$128	\$160	\$160



Stainless pull tab handle

Bar Refrigeration



C1RL40 with refrigeration hook up left, black vinyl-clad doors, and laminated top



C1RL48 with refrigeration hook up left, black vinyl-clad doors, and laminated top

PRODUCT INFORMATION

(see C1RL Spec Sheets for complete details)

STANDARD FEATURES:

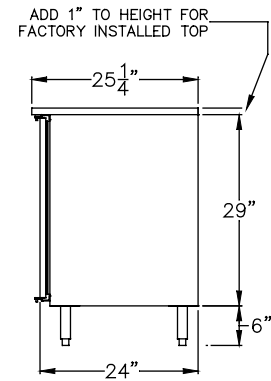
- Remote unit
- All stainless steel interior construction
- Two adjustable coated shelves per door
- Listed to NSF Standard 7 for open food as a storage refrigerator

COOLERS - ONE ZONE, REMOTE, LOW PROFILE*

MODEL	LIST	LENGTH	DOORS	DOOR		BTU /HR	LONGNECK CASES	750MLWINE BOTTLES
				OPENING	WEIGHT			
C1RL24*	\$3,258	24" W	1	20"	170#	800	4.3	36
C1RL40*	\$4,035	40" W	2	16"	270#	1,000	8.2	60
C1RL48*	\$4,118	48" W	2	20"	275#	1,000	10.3	84
C1RL60*	\$5,393	60" W	3	16"	380#	1,300	12.8	96
C1RL72*	\$5,504	72" W	3	20"	390#	1,300	16.8	126
C1RL80*	\$6,691	80" W	4	16"	485#	1,600	18.0	132
C1RL96*	\$6,827	96" W	4	20"	500#	1,600	23.3	168

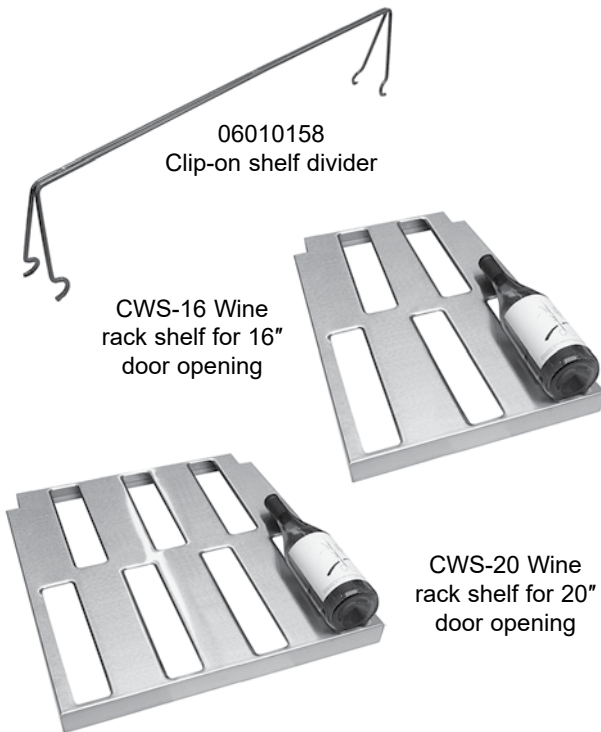
Base price only. See next page for configurable options.

*C1RL coolers are manufactured to order and are not returnable.



Side Elevation

Bar Refrigeration



ACCESSORIES

MODEL	DESCRIPTION	LIST
CWS-16	Wine rack shelf for 16" door opening, 5 bottle	\$114
CWS-20	Wine rack shelf for 20" door opening, 7 bottle	\$129
06010158	Clip-on shelf divider	\$25

CONDENSING UNITS AND INSTALLATION KITS**

MODEL	DESCRIPTION	LIST	WT
06006621**	1/3 HP R134a condensing unit kit, includes filter dryer, sight glass, and defrost timer. 2800 BTU/hr rated cooling capacity at 15°F evaporator temperature and 85°F ambient temperature. (13-1/2"W x 17"D x 9"H)	\$1,206	60#
06006622**	1/2 HP R134a condensing unit kit, includes filter dryer, sight glass, and defrost timer. 4100 BTU/hr rated cooling capacity at 15°F evaporator temperature and 85°F ambient temperature. (13-1/2"W x 18-1/4"D x 9-1/2"H)	\$1,790	60#
06009006**	1/3 HP R404A condensing unit kit, includes filter dryer, sight glass, and defrost timer. 2750 BTU/hr rated cooling capacity at 15°F evaporator temperature and 85°F ambient temperature. (13-1/2"W x 17"D x 9"H)	\$1,916	60#
06009007**	1/2 HP R404A condensing unit kit, includes filter dryer, sight glass, and defrost timer. 4500 BTU/hr rated cooling capacity at 15°F evaporator temperature and 85°F ambient temperature. (13-1/2"W x 18-1/4"D x 9-1/2"H)	\$2,258	60#

****NOTE: Consult the applicable remote refrigerator specification sheet and your refrigeration installer to select the correct condensing unit for your installation. Standard piping practices and local codes should be employed to size and install refrigerant gas and liquid lines.**

ACCESSORY FOR CONDENSING UNIT

06001413	Switch, low pressure control, for remote condensing unit	\$356	3#
----------	--	-------	----

ACCESSORY FOR REMOTE COOLER CABINET

SVC	Solenoid valve and coil kit, for remote unit	\$199	6#
SVC-L	Solenoid valve and coil kit with factory installation, for remote unit	\$562	6#

*NOTE: C1RL coolers are manufactured to order and are not returnable.

Select Configurable Options:

VOLTAGE

120V/60HZ	No charge
220V/50HZ (export voltage)	\$98

TEMPERATURE

Beer / Food, 34° to 40°, standard	No charge
White wine, 50° to 55°	No charge
Red wine, 60° to 65°	No charge

EXPANSION VALVE TYPE

R134a	No charge
R404a	No charge
R407a/R422D	No charge
R448a	No charge

REFRIGERATION HOOK-UP LOCATION

Left	No charge
Right	No charge

DOOR OPTIONS

NOTE: Select options for EACH Door Section

STYLE AND FINISH - SPECIFY & ADD FOR EACH DOOR

Door - Black vinyl-clad	No charge
Door - Unlaminated	No charge
Door - Stainless steel	\$30
Door - Jeweled stainless	\$159
Door - Laminated	\$182
Door - Glass, black vinyl-clad	\$352
Door - Glass, stainless steel	\$382
Door - Glass, jeweled stainless	\$511
Door - Glass, laminated	\$534

DOOR HINGE LOCATION - SPECIFY & ADD FOR EACH DOOR

Left	No charge
Right	No charge

DOOR HANDLE - SPECIFY & ADD FOR EACH DOOR

Polished stainless w/lock	No charge
Stainless pull tab w/lock	No charge
Polished brass w/lock	\$150



Polished stainless handle

Stainless pull tab handle



TOP STYLE

	24"	40"	48"	60"	72"	80"	96"
No finished top	No charge						
Stainless top	\$276	\$343	\$378	\$429	\$481	\$515	\$584
Laminated top	\$586	\$638	\$665	\$704	\$743	\$770	\$822

4" HIGH STAINLESS SPLASHES

	24"	40"	48"	60"	72"	80"	96"
NOTE: Can only be ordered with stainless steel top							
Backsplash	\$101	\$121	\$130	\$145	\$161	\$171	\$191
Left side splash	\$101	\$101	\$101	\$101	\$101	\$101	\$101
Right side splash	\$101	\$101	\$101	\$101	\$101	\$101	\$101

LEFT SIDE FINISH

Black vinyl-clad	No charge
Stainless Steel	\$30
Laminated	\$182

RIGHT SIDE FINISH

Black vinyl-clad	No charge
Stainless Steel	\$30
Laminated	\$182

BACK FINISH

	24"	40"	48"	60"	72"	80"	96"
Galvanized steel	No charge						
Stainless steel*	\$229	\$263	\$281	\$306	\$332	\$349	\$384

*NOTE: Stainless steel back option also includes stainless steel sides.

LED LIGHTING STYLE

Bright white (7,000k), standard	No charge
Warm white (3,500k)	No charge
Amber (2,700k)	No charge
Blue	No charge

LEG AND STAINLESS STEEL KICK RAILS

NOTE: Legs are required if kick rails are ordered.

	24"	40"	48"	60"	72"	80"	96"
6" legs	\$128	\$128	\$128	\$192	\$192	\$192	\$192
Front kick rail	\$80	\$92	\$99	\$109	\$119	\$125	\$138
Left side kick rail	\$80	\$80	\$80	\$80	\$80	\$80	\$80
Right side kick rail	\$80	\$80	\$80	\$80	\$80	\$80	\$80

Bar Refrigeration



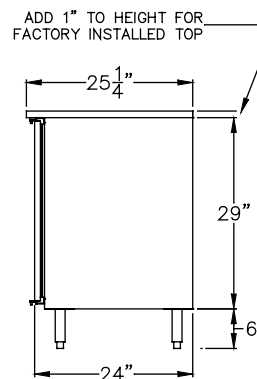
C1SL48
with compressor right, black vinyl-clad doors, and stainless top

PRODUCT INFORMATION

(see C1SL Spec Sheet for complete details)

STANDARD FEATURES:

- Self-contained
- All stainless steel interior construction
- Models with doors include two adjustable coated shelves per door
- Listed to NSF Standard 7 for open food as a storage refrigerator



Side Elevation

COOLERS - ONE ZONE, SIDE SERVICED, LOW PROFILE

MODEL	LIST	LENGTH	DOOR		WEIGHT	AMPS	HP	LONGNECK CASES	750MLWINE BOTTLES**
			DOORS	OPENING					
C1SL24	\$3,887	24"	1	17.5" W	208#	2.75	1/8	4.5	48
C1SL28	\$4,034	28"	1	20" W	231#	2.75	1/8	5.1	53
C1SL36	\$5,261	36"	2	12" W	292#	2.75	1/8	6.9	85
C1SL44	\$5,471	44"	2	16" W	322#	2.75	1/8	8.9	93
C1SL48	\$5,577	48"	2	18" W	335#	2.75	1/8	10.3	134

Base price only. See next page for configurable options.

**Wine bottle capacity is based on shelves. Drawers are not intended for upright storage of wine bottles.

*NOTE: C1SL units are manufactured to order and are not returnable.

Bar Refrigeration

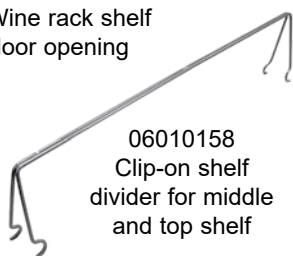


CO-RR

The CO-RR shelf retention rail should be used on all shelves adjacent to kegs. (CO-RR shown installed on shelf)



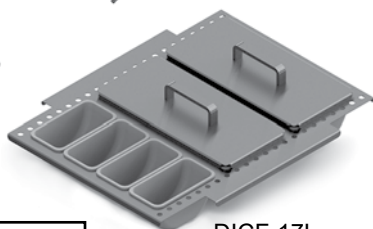
CWS-20 Wine rack shelf for 20" door opening



06010158 Clip-on shelf divider for middle and top shelf



DICP-17L



DICF-17L Front covers removed for illustrative purposes



DIP-18 Pans not included

ACCESSORIES

MODEL	DESCRIPTION	LIST
CO-RR	Shelf retention rail	\$45
CWS-12	Wine rack shelf for 12" door opening, 3 bottle	\$98
CWS-16	Wine rack shelf for 16" door opening, 5 bottle	\$114
CWS-17	Wine rack shelf for 17.5" door opening, 5 bottle	\$122
CWS-18	Wine rack shelf for 18" door opening, 5 bottle	\$124
CWS-20	Wine rack shelf for 20" door opening, 7 bottle	\$129
DICF-12L	Drawer insert, condiments, full, 12" door opening, low-profile cooler, 6 cups	\$243
DICP-12L	Drawer insert, condiments, partial, 12" door opening, low-profile cooler, 4 cups	\$183
DICF-16L	Drawer insert, condiments, full, 16" door opening, low-profile cooler, 12 cups	\$357
DICP-16L	Drawer insert, condiments, partial, 16" door opening, low-profile cooler, 8 cups	\$259
DICF-17L	Drawer insert, condiments, full, 17.5" door opening, low-profile cooler, 12 cups	\$360
DICP-17L	Drawer insert, condiments, partial, 17.5" door opening, low-profile cooler, 8 cups	\$261
DICF-18L	Drawer insert, condiments, full, 18" door opening, low-profile cooler, 12 cups	\$364
DICP-18L	Drawer insert, condiments, partial, 18" door opening, low-profile cooler, 8 cups	\$263
DICF-20L	Drawer insert, condiments, full, 20" door opening, low-profile cooler, 15 cups	\$421
DICP-20L	Drawer insert, condiments, partial, 20" door opening, low-profile cooler, 10 cups	\$300
DIP-17	Drawer insert for fractional stainless pans, 17.5" door opening (pans not included)	\$162
DIP-18	Drawer insert for fractional stainless pans, 18" door opening (pans not included)	\$166
DIP-20	Drawer insert for fractional stainless pans, 20" door opening (pans not included)	\$181
06010158	Clip-on shelf divider	\$25

Select Configurable Options:

VOLTAGE

120V/60HZ	No charge
220V/50HZ (export voltage)	\$194

TEMPERATURE

Beer / Food, 34° to 40°, standard	No charge
White wine, 50° to 55°	No charge
Red wine, 60° to 65°	No charge

REFRIGERATION COMPARTMENT LOCATION

Left	No charge
Right	No charge

REFRIGERATION COMPARTMENT COVER FINISH

Black vinyl-clad	No charge
Stainless steel	\$25
Jeweled stainless steel	\$146

DOOR/DRAWER OPTIONS

NOTE: Select options for EACH Door/Drawer Section

STYLE AND FINISH - SPECIFY & ADD FOR EACH SECTION

Door - Black vinyl-clad	No charge
Door - Unlaminated	No charge
Door - Stainless steel	\$30
Door - Jeweled stainless	\$159
Door - Laminated	\$182
Door - Glass, black vinyl-clad	\$352
Door - Glass, stainless steel	\$382
Door - Glass, jeweled stainless	\$511
Door - Glass, laminated	\$534
Drawers - Black vinyl-clad	\$1,455
Drawers - Stainless steel	\$1,485
Drawers - Jeweled stainless	\$1,614
Drawers - Laminated	\$1,638

DOOR HINGE LOCATION - SPECIFY & ADD FOR EACH DOOR

Left	No charge
Right	No charge

DOOR HANDLE - SPECIFY & ADD FOR EACH DOOR

NOTE: Drawers come with a stainless pull tab handle	
Polished stainless w/lock	No charge
Stainless pull tab w/lock	No charge
Polished brass w/lock	\$150

TOP STYLE

	24"	28"	36"	44"	48"
No finished top	No charge				
Stainless top	\$276	\$293	\$326	\$361	\$378
Laminated top	\$586	\$599	\$625	\$652	\$665
Drainboard top	\$456	\$485	\$546	\$605	\$635

4" HIGH STAINLESS SPLASHES

	24"	28"	36"	44"	48"
NOTE: Can only be ordered with stainless steel top					
Backsplash	\$101	\$106	\$116	\$126	\$130
Left side splash	\$101	\$101	\$101	\$101	\$101
Right side splash	\$101	\$101	\$101	\$101	\$101

LEFT SIDE FINISH

Black vinyl-clad	No charge
Stainless Steel	\$30
Laminated	\$182

RIGHT SIDE FINISH

Black vinyl-clad	No charge
Stainless Steel	\$30
Laminated	\$182

BACK FINISH

	24"	28"	36"	44"	48"
Galvanized steel	No charge				
Stainless steel*	\$229	\$237	\$254	\$271	\$281

*NOTE: Stainless steel back option also includes stainless steel sides.

LED LIGHTING STYLE

Bright white (7,000k), standard	No charge
Warm white (3,500k)	No charge
Amber (2,700k)	No charge
Blue	No charge

LEG AND STAINLESS STEEL KICK RAILS

NOTE: Legs are required if kick rails are ordered.

	24"	28"	36"	44"	48"
6" legs	\$128	\$128	\$128	\$128	\$128
Front kick rail	\$80	\$83	\$89	\$95	\$99
Left side kick rail	\$80	\$80	\$80	\$80	\$80
Right side kick rail	\$80	\$80	\$80	\$80	\$80

CASTERS

	24"	28"	36"	44"	48"
4" casters	\$114	\$114	\$114	\$114	\$114
2-1/2" casters	\$64	\$64	\$64	\$64	\$64



*NOTE: C1SL units are manufactured to order and are not returnable.

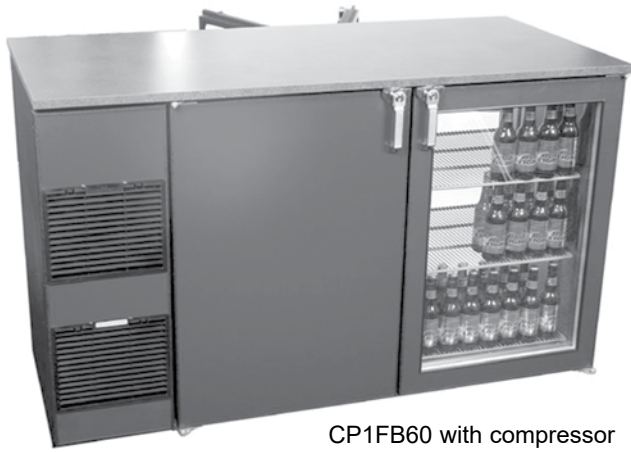
Optional Drawers

Glastender's refrigerated drawers include adjustable divider walls.
20" wide drawer opening shown

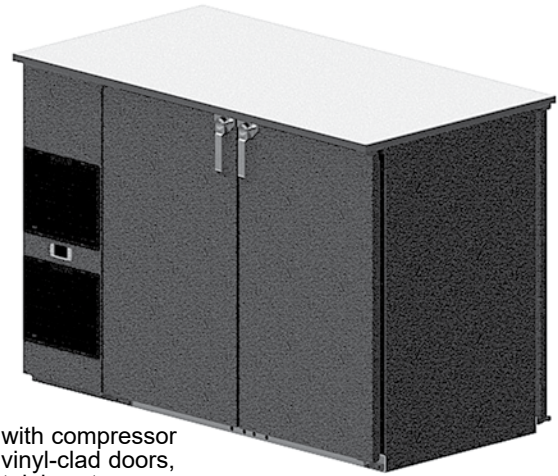


Stainless pull tab handle
Polished stainless handle

Bar Refrigeration



CP1FB60 with compressor left, laminated and glass doors, and stainless top

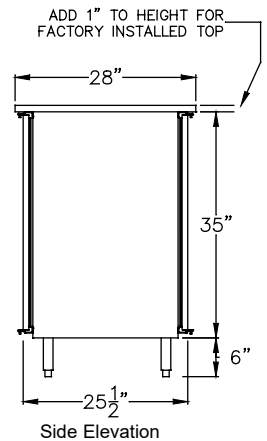


CP1FB52 with compressor left, black vinyl-clad doors, and stainless top

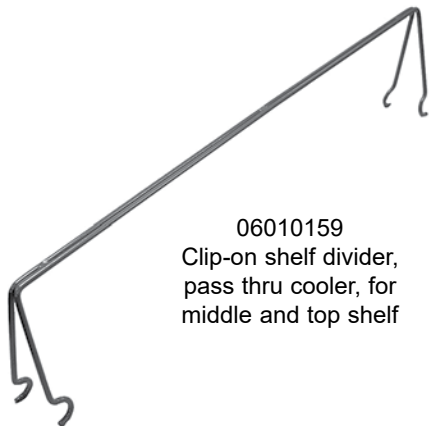
COOLERS - PASS-THRU, ONE ZONE, FRONT SERVICED, BAR PROFILE*

MODEL	LIST	LENGTH	DOOR		WEIGHT	AMPS	HP	LONGNECK	750MLWINE
			DOORS	OPENING				CASES	BOTTLES
CP1FB32*	\$5,903	32"	2	16" w	320#	3.0	1/8	6.6	67
CP1FB36*	\$5,963	36"	2	20" w	325#	3.0	1/8	8.8	79
CP1FB52*	\$7,821	52"	4	16" w	435#	7.0	1/4	14.6	129
CP1FB60*	\$8,062	60"	4	20" w	445#	7.0	1/4	19.1	177
CP1FB72*	\$10,209	72"	6	16" w	580#	7.0	1/4	23.1	209
CP1FB84*	\$10,525	84"	6	20" w	595#	7.0	1/4	29.9	271

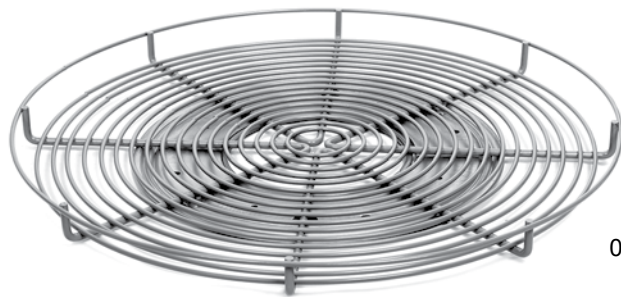
Base price only. See next page for configurable options.



*NOTE: CP1FB coolers are manufactured to order and are not returnable.



06010159
Clip-on shelf divider, pass thru cooler, for middle and top shelf



06009785

In a typical cooler, only the front row of bottles is easy to access. Glastender's rotary wine shelf increases access by 270% (16 vs. 6 bottles).

The rotary wine shelf is for use with CP1FB36, CP1FB60, and CP1FB84 model coolers. Two rotary shelves can be used behind each 20" door opening, where they sit on two standard cooler shelves. Each rotary shelf holds up to 29 wine bottles (750ml).

PRODUCT INFORMATION

(see CP1FB Spec Sheet for complete details)

STANDARD FEATURES:

- Self-contained
- All stainless steel interior construction
- Three adjustable coated shelves per section
- Listed to NSF Standard 7 for open food as a storage refrigerator

ACCESSORIES

MODEL	DESCRIPTION	LIST
06009785	Rotary wine shelf (20" door opening ONLY)	\$183
CWS-16P	Wine rack shelf for 16" door opening, 5 bottle	\$124
CWS-20P	Wine rack shelf for 20" door opening, 7 bottle	\$140
06010159	Clip-on shelf divider for middle and top shelf	\$25
06006013	Clip-on shelf divider for bottom shelf only	\$25

Select Configurable Options:

*NOTE: CP1FB coolers are manufactured to order and are not returnable.

VOLTAGE

120V/60HZ	No charge
220V/50HZ (export voltage)	\$194

TEMPERATURE

Beer / Food, 34° to 40°, standard	No charge
White wine, 50° to 55°	No charge
Red wine, 60° to 65°	No charge

REFRIGERATION COMPARTMENT LOCATION

Left	No charge
Right	No charge

REFRIGERATION COMPARTMENT COVER FINISH

NOTE: Specify and add for both the front and the back

Black vinyl-clad	No charge
Unlaminated	No charge
Stainless steel	\$25
Jeweled stainless steel	\$146
Laminated	\$170

DOOR OPTIONS

NOTE: Select options for EACH Door

STYLE AND FINISH - SPECIFY & ADD FOR EACH DOOR

Door - Black vinyl-clad	No charge
Door - Unlaminated	No charge
Door - Stainless steel	\$30
Door - Jeweled stainless	\$159
Door - Laminated	\$182
Door - Glass, black vinyl-clad	\$352
Door - Glass, stainless steel	\$382
Door - Glass, jeweled stainless	\$511
Door - Glass, laminated	\$534

DOOR HINGE LOCATION - SPECIFY & ADD FOR EACH DOOR

Left	No charge
Right	No charge

DOOR HANDLE - SPECIFY & ADD FOR EACH DOOR

Polished stainless w/lock	No charge
Stainless pull tab w/lock	No charge
Polished brass w/lock	\$150

TOP STYLE

	32"	36"	52"	60"	72"	84"
No finished top	No charge					
Stainless top	\$354	\$374	\$458	\$499	\$562	\$624
Laminated top	\$613	\$625	\$677	\$704	\$743	\$782

LEFT SIDE FINISH

Black vinyl-clad	No charge
Stainless Steel	\$30
Laminated	\$182

RIGHT SIDE FINISH

Black vinyl-clad	No charge
Stainless Steel	\$30
Laminated	\$182

LED LIGHTING STYLE

Bright white (7,000k), standard	No charge
Warm white (3,500k)	No charge
Amber (2,700k)	No charge
Blue	No charge

LEG AND STAINLESS STEEL KICK RAILS

NOTE: Legs are required if kick rails are ordered.

	32"	36"	52"	60"	72"	84"
6" legs	\$160	\$160	\$128	\$128	\$192	\$192
Front kick rail	\$86	\$89	\$102	\$109	\$119	\$128
Back kick rail	\$86	\$89	\$102	\$109	\$119	\$128
Left side kick rail	\$80	\$80	\$80	\$80	\$80	\$80
Right side kick rail	\$80	\$80	\$80	\$80	\$80	\$80

CASTERS

	32"	36"	52"	60"	72"	84"
4" casters	\$138	\$138	\$114	\$114	\$171	\$171
2-1/2" casters	\$78	\$78	\$96	\$96	\$128	\$128

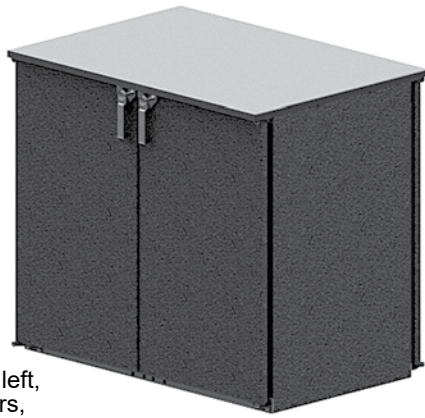


Polished stainless handle



Stainless pull tab handle

Bar Refrigeration



CP1RB40 with refrigeration hook up left, black vinyl-clad doors, and laminated top



CP1RB48 with refrigeration hook up left, stainless doors, and no finished top

COOLERS - PASS-THRU, ONE ZONE, REMOTE, BAR PROFILE*

MODEL	LIST	LENGTH	DOORS	DOOR OPENING	WEIGHT	BTU /HR	LONGNECK CASES	750MLWINE BOTTLES**
CP1RB24*	\$4,237	24"	2	20"	225#	950	7.7	72
CP1RB40*	\$5,358	40"	4	16"	355#	1,600	13.1	114
CP1RB48*	\$5,525	48"	4	20"	365#	1,600	17.6	156
CP1RB60*	\$7,647	60"	6	16"	495#	2,000	21.6	194
CP1RB72*	\$7,883	72"	6	20"	510#	2,000	28.3	253

*NOTE:
CP1RB coolers are manufactured to order and are not returnable.

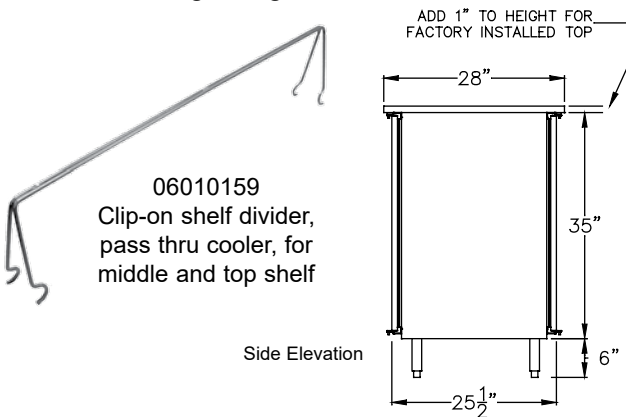
Base price only. See next page for configurable options.

PRODUCT INFORMATION

(see CP1RB Spec Sheet for complete details)

STANDARD FEATURES:

- Remote unit
- All stainless steel interior construction
- Three adjustable coated shelves per section
- Listed to NSF Standard 7 for open food as a storage refrigerator



06010159
Clip-on shelf divider, pass thru cooler, for middle and top shelf

Side Elevation

ACCESSORIES

MODEL	DESCRIPTION	LIST
CWS-16P	Wine rack shelf for 16" door opening, 5 bottles	\$124
CWS-20P	Wine rack shelf for 20" door opening, 7 bottles	\$140
06010159	Clip-on shelf divider for middle and top shelf	\$25
06006013	Clip-on shelf divider for bottom shelf only	\$25

CONDENSING UNITS AND INSTALLATION KITS**

MODEL	DESCRIPTION	LIST	WT
06006621**	1/3 HP R134a condensing unit kit, includes filter dryer, sight glass, and defrost timer. 2800 BTU/hr rated cooling capacity at 15°F evaporator temperature and 85°F ambient temperature. (13-1/2"W x 17"D x 9"H)	\$1,206	60#
06006622**	1/2 HP R134a condensing unit kit, includes filter dryer, sight glass, and defrost timer. 4100 BTU/hr rated cooling capacity at 15°F evaporator temperature and 85°F ambient temperature. (13-1/2"W x 18-1/4"D x 9-1/2"H)	\$1,790	60#
06009006**	1/3 HP R404A condensing unit kit, includes filter dryer, sight glass, and defrost timer. 2750 BTU/hr rated cooling capacity at 15°F evaporator temperature and 85°F ambient temperature. (13-1/2"W x 17"D x 9"H)	\$1,916	60#
06009007**	1/2 HP R404A condensing unit kit, includes filter dryer, sight glass, and defrost timer. 4500 BTU/hr rated cooling capacity at 15°F evaporator temperature and 85°F ambient temperature. (13-1/2"W x 18-1/4"D x 9-1/2"H)	\$2,258	60#

**NOTE: Consult the applicable remote refrigerator specification sheet and your refrigeration installer to select the correct condensing unit for your installation. Standard piping practices and local codes should be employed to size and install refrigerant gas and liquid lines.

ACCESSORY FOR CONDENSING UNIT

06001413	Switch, low pressure control, for remote condensing unit	\$356	3#
----------	--	-------	----

ACCESSORY FOR REMOTE COOLER CABINET

SVC	Solenoid valve and coil kit, for remote unit	\$199	6#
SVC-L	Solenoid valve and coil kit with factory installation, for remote unit	\$562	6#

*NOTE: CP1RB coolers are manufactured to order and are not returnable.

Select Configurable Options:

VOLTAGE

120V/60HZ	No charge
220V/50HZ (export voltage)	\$98

TEMPERATURE

Beer / Food, 34° to 40°, standard	No charge
White wine, 50° to 55°	No charge
Red wine, 60° to 65°	No charge

EXPANSION VALVE TYPE

R134a	No charge
R404a	No charge
R407a/R422D	No charge
R448a	No charge

REFRIGERATION HOOK-UP LOCATION

Left	No charge
Right	No charge

DOOR OPTIONS

NOTE: Select options for EACH Door Section

STYLE AND FINISH - SPECIFY & ADD FOR EACH DOOR

Door - Black vinyl-clad	No charge
Door - Unlaminated	No charge
Door - Stainless steel	\$30
Door - Jeweled stainless	\$159
Door - Laminated	\$182
Door - Glass, black vinyl-clad	\$352
Door - Glass, stainless steel	\$382
Door - Glass, jeweled stainless	\$511
Door - Glass, laminated	\$534

DOOR HINGE LOCATION - SPECIFY & ADD FOR EACH DOOR

Left	No charge
Right	No charge

DOOR HANDLE - SPECIFY & ADD FOR EACH DOOR

Polished stainless w/lock	No charge
Stainless pull tab w/lock	No charge
Polished brass w/lock	\$150

TOP STYLE

	24"	40"	48"	60"	72"
No finished top	No charge				
Stainless top	\$312	\$395	\$437	\$499	\$562
Laminated top	\$586	\$638	\$665	\$704	\$743

LEFT SIDE FINISH

Black vinyl-clad	No charge
Stainless Steel	\$30
Laminated	\$182

RIGHT SIDE FINISH

Black vinyl-clad	No charge
Stainless Steel	\$30
Laminated	\$182

LED LIGHTING STYLE

Bright white (7,000k), standard	No charge
Warm white (3,500k)	No charge
Amber (2,700k)	No charge
Blue	No charge

LEG AND STAINLESS STEEL KICK RAILS

NOTE: Legs are required if kick rails are ordered.

	24"	40"	48"	60"	72"
6" legs	\$128	\$128	\$128	\$192	\$192
Front kick rail	\$80	\$92	\$99	\$109	\$119
Back kick rail	\$80	\$92	\$99	\$109	\$119
Left side kick rail	\$80	\$80	\$80	\$80	\$80
Right side kick rail	\$80	\$80	\$80	\$80	\$80

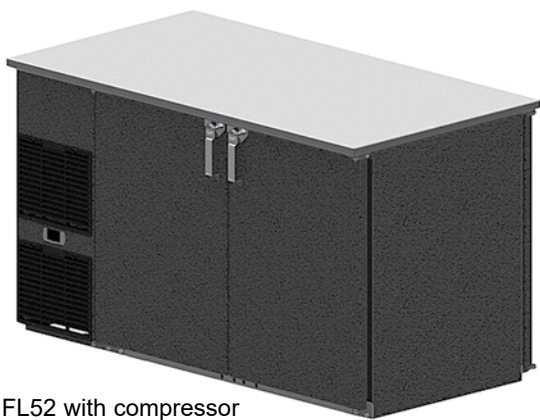
Bar Refrigeration



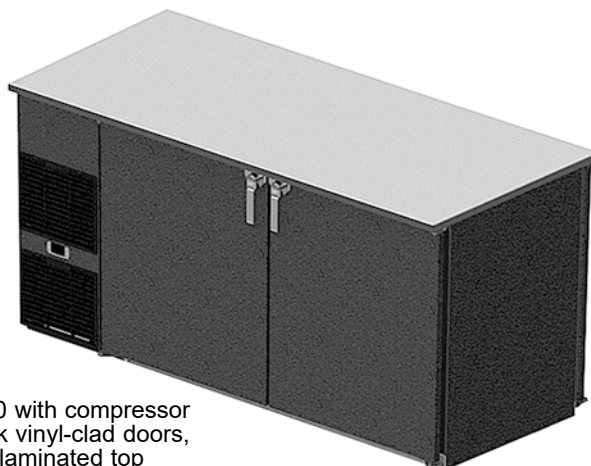
Polished stainless handle



Stainless pull tab handle



CP1FL52 with compressor left, black vinyl-clad doors, and laminated top



CP1FL60 with compressor left, black vinyl-clad doors, and laminated top

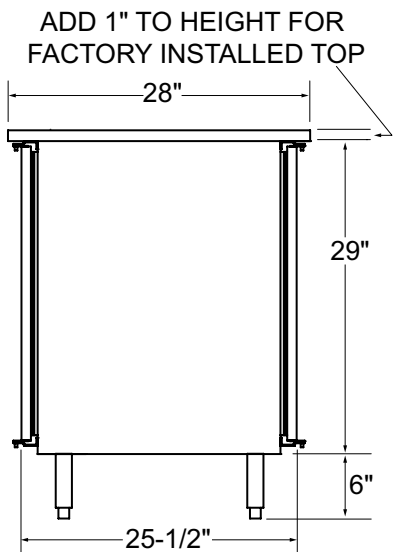
COOLERS - PASS-THRU, ONE ZONE, FRONT SERVICED, LOW PROFILE*

MODEL	LIST	LENGTH	DOOR		WEIGHT	AMPS	HP	LONGNECK	750MLWINE
			DOORS	OPENING				CASES	BOTTLES
CP1FL32*	\$5,724	32"	2	16" W	315#	3.0	1/8	4.4	35
CP1FL36*	\$5,784	36"	2	20" W	320#	3.0	1/8	5.8	42
CP1FL52*	\$7,498	52"	4	16" W	425#	7.0	1/4	9.7	66
CP1FL60*	\$7,660	60"	4	20" W	435#	7.0	1/4	12.7	90
CP1FL72*	\$9,787	72"	6	16" W	565#	7.0	1/4	15.4	106
CP1FL84*	\$9,999	84"	6	20" W	580#	7.0	1/4	19.9	137

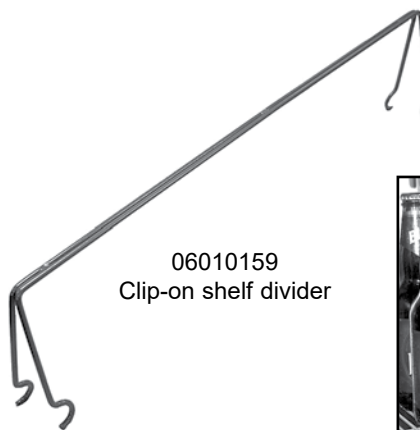
Base price only. See next page for configurable options.

*NOTE: CPIFL units are manufactured to order and are not returnable.

Bar Refrigeration



Side Elevation



06010159
Clip-on shelf divider



PRODUCT INFORMATION

(see CPIFL Spec Sheet for complete details)

STANDARD FEATURES:

- Self-contained
- All stainless steel interior construction
- Two adjustable coated shelves per section
- Listed to NSF Standard 7 for open food as a storage refrigerator

ACCESSORIES

MODEL	DESCRIPTION	LIST
CWS-16P	Wine rack shelf for 16" door opening, 5 bottle	\$124
CWS-20P	Wine rack shelf for 20" door opening, 7 bottle	\$140
06010159	Clip-on shelf divider	\$25

*NOTE: CP1FL units are manufactured to order and are not returnable.

Select Configurable Options:

VOLTAGE

120V/60HZ	No charge
220V/50HZ (export voltage)	\$194

TEMPERATURE

Beer / Food, 34° to 40°, standard	No charge
White wine, 50° to 55°	No charge
Red wine, 60° to 65°	No charge

REFRIGERATION COMPARTMENT LOCATION

Left	No charge
Right	No charge

REFRIGERATION COMPARTMENT COVER FINISH

NOTE: Specify and add for both the front and the back

Black vinyl-clad	No charge
Unlaminated	No charge
Stainless steel	\$25
Jeweled stainless steel	\$146
Laminated	\$170

DOOR OPTIONS

NOTE: Select options for EACH Door Section

STYLE AND FINISH - SPECIFY & ADD FOR EACH SECTION

Door - Black vinyl-clad	No charge
Door - Unlaminated	No charge
Door - Stainless steel	\$30
Door - Jeweled stainless	\$159
Door - Laminated	\$182
Door - Glass, black vinyl-clad	\$352
Door - Glass, stainless steel	\$382
Door - Glass, jeweled stainless	\$511
Door - Glass, laminated	\$534

DOOR HINGE LOCATION - SPECIFY & ADD FOR EACH DOOR

Left	No charge
Right	No charge

DOOR HANDLE - SPECIFY & ADD FOR EACH DOOR

Polished stainless w/lock	No charge
Stainless pull tab w/lock	No charge
Polished brass w/lock	\$150

TOP STYLE

	32"	36"	52"	60"	72"	84"
No finished top	No charge					
Stainless top	\$354	\$374	\$458	\$499	\$562	\$624
Laminated top	\$613	\$625	\$677	\$704	\$743	\$782

LEFT SIDE FINISH

Black vinyl-clad	No charge
Stainless Steel	\$30
Laminated	\$182

RIGHT SIDE FINISH

Black vinyl-clad	No charge
Stainless Steel	\$30
Laminated	\$182

LED LIGHTING STYLE

Bright white (7,000k), standard	No charge
Warm white (3,500k)	No charge
Amber (2,700k)	No charge
Blue	No charge

LEG AND STAINLESS STEEL KICK RAILS

NOTE: Legs are required if kick rails are ordered.

	32"	36"	52"	60"	72"	84"
6" legs	\$160	\$160	\$128	\$128	\$192	\$192
Front kick rail	\$86	\$89	\$102	\$109	\$119	\$128
Back kick rail	\$86	\$89	\$102	\$109	\$119	\$128
Left side kick rail	\$80	\$80	\$80	\$80	\$80	\$80
Right side kick rail	\$80	\$80	\$80	\$80	\$80	\$80

CASTERS

	32"	36"	52"	60"	72"	84"
4" casters	\$138	\$138	\$114	\$114	\$171	\$171
2-1/2" casters	\$78	\$78	\$96	\$96	\$128	\$128

Bar Refrigeration



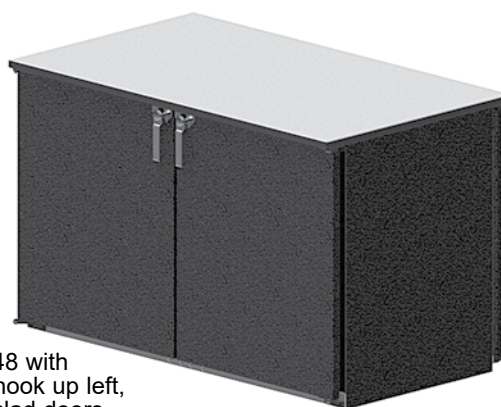
Polished stainless handle



Stainless pull tab handle



CP1RL40 with refrigeration hook up left, black vinyl-clad doors, and laminated top



CP1RL48 with refrigeration hook up left, black vinyl-clad doors, and laminated top

COOLERS - PASS-THRU, ONE ZONE, REMOTE, LOW PROFILE*

MODEL	LIST	LENGTH	DOORS	DOOR OPENING	WEIGHT	BTU /HR	LONGNECK CASES	750MLWINE BOTTLES**
CP1RL24*	\$4,110	24"	2	20"	220#	850	4.7	42
CP1RL40*	\$5,138	40"	4	16"	350#	1,600	8.2	66
CP1RL48*	\$5,249	48"	4	20"	355#	1,600	11.8	90
CP1RL60*	\$7,331	60"	6	16"	485#	2,000	13.8	106
CP1RL72*	\$7,489	72"	6	20"	495#	2,000	18.3	137

*NOTE: CP1RL coolers are manufactured to order and are not returnable.

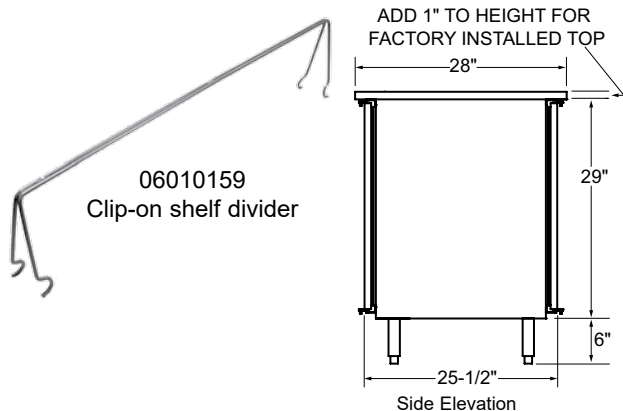
Base price only. See next page for configurable options.

PRODUCT INFORMATION

(see CP1RL Spec Sheet for complete details)

STANDARD FEATURES:

- Remote unit
- All stainless steel interior construction
- Two adjustable coated shelves per section
- Listed to NSF Standard 7 for open food as a storage refrigerator



ACCESSORIES

MODEL	DESCRIPTION	LIST
CWS-16P	Wine rack shelf for 16" door opening, 5 bottle	\$124
CWS-20P	Wine rack shelf for 20" door opening, 7 bottle	\$140
06010159	Clip-on shelf divider	\$25

CONDENSING UNITS AND INSTALLATION KITS**

MODEL	DESCRIPTION	LIST	WT
06006621**	1/3 HP R134a condensing unit kit, includes filter dryer, sight glass, and defrost timer. 2800 BTU/hr rated cooling capacity at 15°F evaporator temperature and 85°F ambient temperature. (13-1/2"W x 17"D x 9"H)	\$1,206	60#
06006622**	1/2 HP R134a condensing unit kit, includes filter dryer, sight glass, and defrost timer. 4100 BTU/hr rated cooling capacity at 15°F evaporator temperature and 85°F ambient temperature. (13-1/2"W x 18-1/4"D x 9-1/2"H)	\$1,790	60#
06009006**	1/3 HP R404A condensing unit kit, includes filter dryer, sight glass, and defrost timer. 2750 BTU/hr rated cooling capacity at 15°F evaporator temperature and 85°F ambient temperature. (13-1/2"W x 17"D x 9"H)	\$1,916	60#
06009007**	1/2 HP R404A condensing unit kit, includes filter dryer, sight glass, and defrost timer. 4500 BTU/hr rated cooling capacity at 15°F evaporator temperature and 85°F ambient temperature. (13-1/2"W x 18-1/4"D x 9-1/2"H)	\$2,258	60#

**NOTE: Consult the applicable remote refrigerator specification sheet and your refrigeration installer to select the correct condensing unit for your installation. Standard piping practices and local codes should be employed to size and install refrigerant gas and liquid lines.

ACCESSORY FOR CONDENSING UNIT			
06001413	Switch, low pressure control, for remote condensing unit	\$356	3#
ACCESSORY FOR REMOTE COOLER CABINET			
SVC	Solenoid valve and coil kit, for remote unit	\$199	6#
SVC-L	Solenoid valve and coil kit with factory installation, for remote unit	\$562	6#

Bar Refrigeration

*NOTE: CP1RL coolers are manufactured to order and are not returnable.

Select Configurable Options:

VOLTAGE

120V/60HZ	No charge
220V/50HZ (export voltage)	\$98

TEMPERATURE

Beer / Food, 34° to 40°, standard	No charge
White wine, 50° to 55°	No charge
Red wine, 60° to 65°	No charge

EXPANSION VALVE TYPE

R134a	No charge
R404a	No charge
R407a/R422D	No charge
R448a	No charge

REFRIGERATION HOOK-UP LOCATION

Left	No charge
Right	No charge

DOOR OPTIONS

NOTE: Select options for EACH Door Section

STYLE AND FINISH - SPECIFY & ADD FOR EACH DOOR

Door - Black vinyl-clad	No charge
Door - Unlaminated	No charge
Door - Stainless steel	\$30
Door - Jeweled stainless	\$159
Door - Laminated	\$182
Door - Glass, black vinyl-clad	\$352
Door - Glass, stainless steel	\$382
Door - Glass, jeweled stainless	\$511
Door - Glass, laminated	\$534

DOOR HINGE LOCATION - SPECIFY & ADD FOR EACH DOOR

Left	No charge
Right	No charge

DOOR HANDLE - SPECIFY & ADD FOR EACH DOOR

Polished stainless w/lock	No charge
Stainless pull tab w/lock	No charge
Polished brass w/lock	\$150

TOP STYLE

	24"	40"	48"	60"	72"
No finished top	No charge				
Stainless top	\$312	\$395	\$437	\$499	\$562
Laminated top	\$586	\$638	\$665	\$704	\$743

LEFT SIDE FINISH

Black vinyl-clad	No charge
Stainless Steel	\$30
Laminated	\$182

RIGHT SIDE FINISH

Black vinyl-clad	No charge
Stainless Steel	\$30
Laminated	\$182

LED LIGHTING STYLE

Bright white (7,000k), standard	No charge
Warm white (3,500k)	No charge
Amber (2,700k)	No charge
Blue	No charge

LEG AND STAINLESS STEEL KICK RAILS

NOTE: Legs are required if kick rails are ordered.

	24"	40"	48"	60"	72"
6" legs	\$128	\$128	\$128	\$192	\$192
Front kick rail	\$80	\$92	\$99	\$109	\$119
Back kick rail	\$80	\$92	\$99	\$109	\$119
Left side kick rail	\$80	\$80	\$80	\$80	\$80
Right side kick rail	\$80	\$80	\$80	\$80	\$80



Polished stainless handle



Stainless pull tab handle

Bar Refrigeration

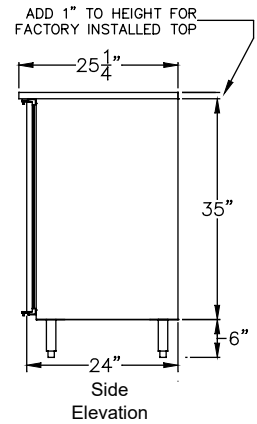


F1FB36 with compressor left and stainless steel door and top

PRODUCT INFORMATION
(see F1FB Spec Sheet for complete details)

STANDARD FEATURES:

- Self-contained
- All stainless steel interior construction
- Models with door include three coated adjustable shelves
- Listed to NSF Standard 7



*NOTE: F1FB units are manufactured to order and are not returnable.

FROSTERS - ONE ZONE, FRONT SERVICED, BAR PROFILE

MODEL	LIST	LENGTH	DOOR				AMPS	HP	10 Oz.	6" High
			DOORS	OPENING	WEIGHT	MUGS			PINTGLASSES	
F1FB32	\$4,824	32"	1	16" W	245#	6.5	1/3	120	96	
F1FB36	\$4,877	36"	1	20" W	255#	6.5	1/3	168	120	

Base price only. See next page for configurable options.

Bar Refrigeration



DIP-18 shown
Pans not included

ACCESSORIES

MODEL	DESCRIPTION	LIST
DIP-20	Drawer insert for fractional stainless pans, 20" door opening (pans not included)	\$181



Capable of storing specialty cocktail ice

*NOTE: F1FB units are manufactured to order and are not returnable.

Select Configurable Options:

VOLTAGE	
120V/60HZ	No charge
220V/50HZ (export voltage)	\$194

REFRIGERATION COMPARTMENT LOCATION	
Left	No charge
Right	No charge

REFRIGERATION COMPARTMENT COVER FINISH	
Black vinyl-clad	No charge
Unlaminated	No charge
Stainless steel	\$25
Jeweled stainless steel	\$146
Laminated	\$170

DOOR/DRAWER OPTIONS

NOTE: Select options for EACH Door/Drawer Section

STYLE AND FINISH - SPECIFY & ADD FOR EACH SECTION

Door - Black vinyl-clad	No charge
Door - Unlaminated	No charge
Door - Stainless steel	\$30
Door - Jeweled stainless	\$159
Door - Laminated	\$182
Door - Glass, black vinyl-clad	\$461
Door - Glass, stainless steel	\$491
Door - Glass, jeweled stainless	\$620
Door - Glass, laminated	\$643
Drawers - Black vinyl-clad	\$1,498
Drawers - Stainless steel	\$1,528
Drawers - Jeweled stainless	\$1,657
Drawers - Laminated	\$1,680

DOOR HINGE LOCATION - SPECIFY & ADD FOR EACH DOOR

Left	No charge
Right	No charge

DOOR HANDLE - SPECIFY & ADD FOR EACH DOOR

NOTE: Drawers come with a stainless steel pull tab handle	
Polished stainless w/lock	No charge
Stainless pull tab w/lock	No charge
Polished brass w/lock	\$150

TOP STYLE		
	32"	36"
No finished top	No charge	
Stainless top	\$310	\$326
Laminated top	\$613	\$625

LEFT SIDE FINISH	
Black vinyl-clad	No charge
Stainless Steel	\$30
Laminated	\$182

RIGHT SIDE FINISH	
Black vinyl-clad	No charge
Stainless Steel	\$30
Laminated	\$182

BACK FINISH		
	32"	36"
Galvanized steel	No charge	
Stainless steel*	\$246	\$254

*NOTE: Stainless steel back option also includes stainless steel sides.

LED LIGHTING STYLE	
Bright white (7,000k), standard	No charge
Warm white (3,500k)	No charge
Blue	No charge

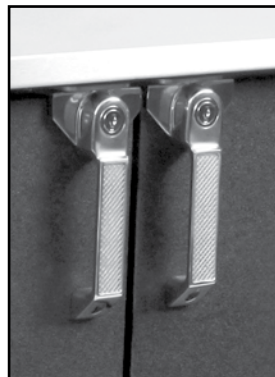
LEG AND STAINLESS STEEL KICK RAILS		
NOTE: Legs are required if kick rails are ordered.		
	32"	36"
6" legs	\$160	\$160
Front kick rail	\$86	\$89
Left side kick rail	\$80	\$80
Right side kick rail	\$80	\$80

CASTERS		
	32"	36"
4" casters	\$138	\$138
2-1/2" casters	\$78	\$78



Optional Drawers

Glastender's refrigerated drawers include adjustable divider walls.



Polished stainless handle



Stainless pull tab handle

Bar Refrigeration



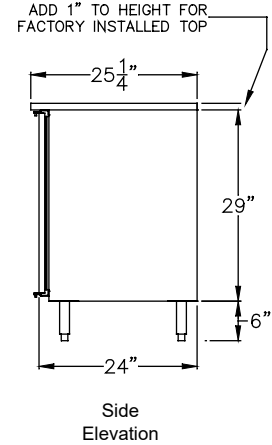
F1FL36 with compressor left and stainless steel door and top

PRODUCT INFORMATION

(see F1FL Spec Sheet for complete details)

STANDARD FEATURES:

- Self-contained
- All stainless steel interior construction
- Includes three adjustable coated shelves
- Listed to NSF Standard 7



*NOTE: F1FL units are manufactured to order and are not returnable.

Bar Refrigeration

FROSTERS - ONE ZONE, FRONT SERVICED, LOW PROFILE

MODEL	LIST	LENGTH	DOORS	DOOR		WEIGHT	AMPS	HP	10 Oz. MUGS	6" High PINTGLASSES
				OPENING						
F1FL32	\$4,687	32"	1	16" W		240#	6.5	1/3	90	72
F1FL36	\$4,740	36"	1	20" W		250#	6.5	1/3	126	90

Base price only. See next page for configurable options.



Capable of storing specialty cocktail ice

*NOTE: F1FL units are manufactured to order and are not returnable.

Select Configurable Options:

VOLTAGE

120V/60HZ	No charge
220V/50HZ (export voltage)	\$194

REFRIGERATION COMPARTMENT LOCATION

Left	No charge
Right	No charge

REFRIGERATION COMPARTMENT COVER FINISH

Black vinyl-clad	No charge
Unlaminated	No charge
Stainless steel	\$25
Jeweled stainless steel	\$146
Laminated	\$170

DOOR OPTIONS

STYLE AND FINISH

Door - Black vinyl-clad	No charge
Door - Unlaminated	No charge
Door - Stainless steel	\$30
Door - Jeweled stainless	\$159
Door - Laminated	\$182
Door - Glass, black vinyl-clad	\$461
Door - Glass, stainless steel	\$491
Door - Glass, jeweled stainless	\$620
Door - Glass, laminated	\$643

DOOR HINGE LOCATION

Left	No charge
Right	No charge

DOOR HANDLE

Polished stainless w/lock	No charge
Stainless pull tab w/lock	No charge
Polished brass w/lock	\$150

TOP STYLE

	32"	36"
No finished top	No charge	No charge
Stainless top	\$310	\$326
Laminated top	\$613	\$625
Drainboard top	\$515	\$546

LEFT SIDE FINISH

Black vinyl-clad	No charge
Stainless Steel	\$30
Laminated	\$182

RIGHT SIDE FINISH

Black vinyl-clad	No charge
Stainless Steel	\$30
Laminated	\$182

BACK FINISH

	32"	36"
Galvanized steel	No charge	No charge
Stainless steel*	\$246	\$254

*NOTE: Stainless steel back option also includes stainless steel sides.

LED LIGHTING STYLE

Bright white (7,000k), standard	No charge
Warm white (3,500k)	No charge
Blue	No charge

LEG AND STAINLESS STEEL KICK RAILS

NOTE: Legs are required if kick rails are ordered.

	32"	36"
6" legs	\$160	\$160
Front kick rail	\$86	\$89
Left side kick rail	\$80	\$80
Right side kick rail	\$80	\$80

CASTERS

	32"	36"
4" casters	\$138	\$138
2-1/2" casters	\$78	\$78

Bar Refrigeration



Polished stainless handle



Stainless pull tab handle

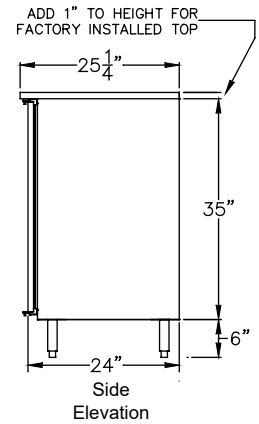


PRODUCT INFORMATION
(see F1SB Spec Sheet for complete details)

STANDARD FEATURES:

- Self-contained
- All stainless steel interior construction
- Models with doors include three adjustable coated shelves per door
- Listed to NSF Standard 7

F1SB48 with compressor left, black vinyl-clad glass doors, and stainless steel top



*NOTE: F1SB28, F1SB36, and F1SB44 frosters and all units with drawers are manufactured to order and are not returnable.

FROSTERS - ONE ZONE, SIDE SERVICED, BAR PROFILE

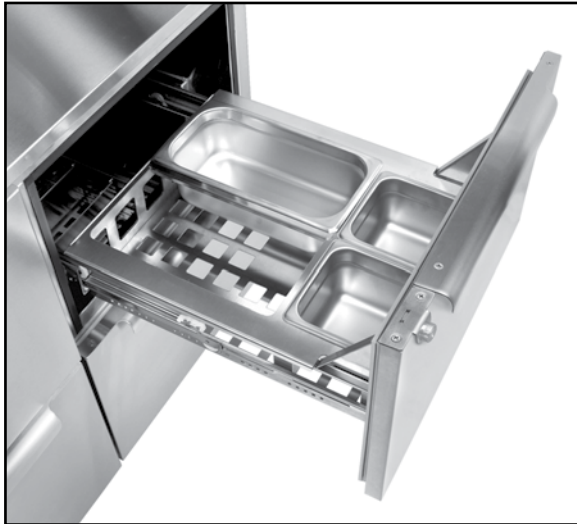
MODEL	LIST	LENGTH	DOORS	DOOR OPENING	WEIGHT	AMPS	HP	10 Oz. MUGS	6" HIGH PINT GLASSES
F1SB24	\$4,493	24"	1	17.5" W	213#	5.0	1/3	132	97
F1SB28*	\$4,704	28"	1	20" W	236#	5.0	1/3	160	100
F1SB36*	\$6,152	36"	2	12" W	302#	5.0	1/3	223	155
F1SB44*	\$6,469	44"	2	16" W	332#	5.0	1/3	299	200
F1SB48	\$6,632	48"	2	18" W	345#	5.0	1/3	339	214

Base price only. See below for configurable options.

Bar Refrigeration

ACCESSORIES

MODEL	DESCRIPTION	LIST
DIP-17	Drawer insert for fractional stainless pans, 17.5" door opening (pans not included)	\$162
DIP-18	Drawer insert for fractional stainless pans, 18" door opening (pans not included)	\$166
DIP-20	Drawer insert for fractional stainless pans, 20" door opening (pans not included)	\$181



DIP-18
Pans not included



Capable of storing specialty cocktail ice

*NOTE: F1SB28, F1SB36, and F1SB44 frosters and all units with drawers are manufactured to order and are not returnable.

Select Configurable Options:

VOLTAGE	
120V/60HZ	No charge
220V/50HZ (export voltage)	\$194

REFRIGERATION COMPARTMENT LOCATION	
Left	No charge
Right	No charge

REFRIGERATION COMPARTMENT COVER FINISH	
Black vinyl-clad	No charge
Stainless steel	\$25
Jeweled stainless steel	\$146

DOOR/DRAWER OPTIONS	
NOTE: Select options for EACH Door/Drawer Section	
STYLE AND FINISH - SPECIFY & ADD FOR EACH SECTION	

Door - Black vinyl-clad	No charge
Door - Unlaminated	No charge
Door - Stainless steel	\$30
Door - Jeweled stainless	\$159
Door - Laminated	\$182
Door - Glass, black vinyl-clad	\$461
Door - Glass, stainless steel	\$491
Door - Glass, jeweled stainless	\$620
Door - Glass, laminated	\$643
Drawers* - Black vinyl-clad	\$1,498
Drawers* - Stainless steel	\$1,528
Drawers* - Jeweled stainless	\$1,657
Drawers* - Laminated	\$1,680

*NOTE: Units with drawers are manufactured to order and are not returnable.

DOOR HINGE LOCATION - SPECIFY & ADD FOR EACH DOOR	
Left	No charge
Right	No charge

DOOR HANDLE - SPECIFY & ADD FOR EACH DOOR	
NOTE: Drawers come with a stainless steel pull tab handle	
Polished stainless w/lock	No charge
Stainless pull tab w/lock	No charge
Polished brass w/lock	\$150

TOP STYLE					
	24"	28"	36"	44"	48"
No finished top	No charge				
Stainless top	\$276	\$293	\$326	\$361	\$378
Laminated top	\$586	\$599	\$625	\$652	\$665

LEFT SIDE FINISH	
Black vinyl-clad	No charge
Stainless Steel	\$30
Laminated	\$182

RIGHT SIDE FINISH	
Black vinyl-clad	No charge
Stainless Steel	\$30
Laminated	\$182

BACK FINISH					
	24"	28"	36"	44"	48"
Galvanized steel	No charge				
Stainless steel*	\$229	\$237	\$254	\$271	\$281

*NOTE: Stainless steel back option also includes stainless steel sides.

LED LIGHTING STYLE	
Bright white (7,000k), standard	No charge
Warm white (3,500k)	No charge
Blue	No charge

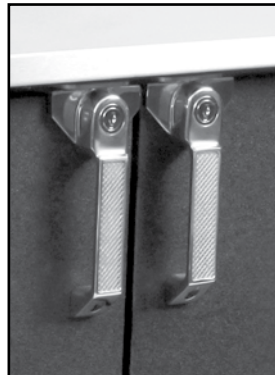
LEG AND STAINLESS STEEL KICK RAILS					
NOTE: Legs are required if kick rails are ordered.					
	24"	28"	36"	44"	48"
6" legs	\$128	\$128	\$128	\$128	\$128
Front kick rail	\$80	\$83	\$89	\$95	\$99
Left side kick rail	\$80	\$80	\$80	\$80	\$80
Right side kick rail	\$80	\$80	\$80	\$80	\$80

CASTERS					
	24"	28"	36"	44"	48"
4" casters	\$114	\$114	\$114	\$114	\$114
2-1/2" casters	\$64	\$64	\$64	\$64	\$64

Bar Refrigeration



Optional Drawers
Glastender's refrigerated drawers include adjustable divider walls.



Polished stainless handle



Stainless pull tab handle



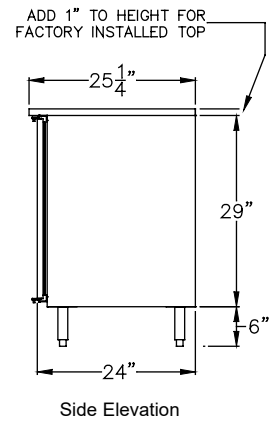
PRODUCT INFORMATION

(see F1SL Spec Sheet for complete details)

STANDARD FEATURES:

- Self-contained
- All stainless steel interior construction
- Models with doors include three adjustable coated shelves per door
- Listed to NSF Standard 7

F1SL24 with compressor right, black vinyl-clad glass door, and stainless steel top



*NOTE: F1SL units are manufactured to order and are not returnable.

FROSTERS - ONE ZONE, SIDE SERVICED, LOW PROFILE*

MODEL	LIST	LENGTH	DOORS	DOOR				10 Oz.	6" High
				OPENING	WEIGHT	AMPS	HP	MUGS	PINTGLASSES
F1SL24	\$4,459	24"	1	17.5" W	208#	5.0	1/3	101	72
F1SL28	\$4,601	28"	1	20" W	231#	5.0	1/3	123	75
F1SL36	\$5,919	36"	2	12" W	292#	5.0	1/3	171	115
F1SL44	\$6,202	44"	2	16" W	322#	5.0	1/3	231	151
F1SL48	\$6,349	48"	2	18" W	335#	5.0	1/3	261	169

Base price only. See below for configurable options.

Bar Refrigeration

ACCESSORIES

MODEL	DESCRIPTION	LIST
DIP-17	Drawer insert for fractional stainless pans, 17.5" door opening (pans not included)	\$162
DIP-18	Drawer insert for fractional stainless pans, 18" door opening (pans not included)	\$166
DIP-20	Drawer insert for fractional stainless pans, 20" door opening (pans not included)	\$181



DIP-18
Pans not included



Capable of storing specialty cocktail ice

*NOTE: F1SL units are manufactured to order and are not returnable.

Select Configurable Options:

VOLTAGE

120V/60HZ	No charge
220V/50HZ (export voltage)	\$194

REFRIGERATION COMPARTMENT LOCATION

Left	No charge
Right	No charge

REFRIGERATION COMPARTMENT COVER FINISH

Black vinyl-clad	No charge
Stainless steel	\$25
Jeweled stainless steel	\$146

DOOR/DRAWER OPTIONS

NOTE: Select options for EACH Door/Drawer Section

STYLE AND FINISH - SPECIFY & ADD FOR EACH SECTION

Door - Black vinyl-clad	No charge
Door - Unlaminated	No charge
Door - Stainless steel	\$30
Door - Jeweled stainless	\$159
Door - Laminated	\$182
Door - Glass, black vinyl-clad	\$461
Door - Glass, stainless steel	\$491
Door - Glass, jeweled stainless	\$620
Door - Glass, laminated	\$643
Drawers - Black vinyl-clad	\$1,498
Drawers - Stainless steel	\$1,528
Drawers - Jeweled stainless	\$1,657
Drawers - Laminated	\$1,680

DOOR HINGE LOCATION - SPECIFY & ADD FOR EACH DOOR

Left	No charge
Right	No charge

DOOR HANDLE - SPECIFY & ADD FOR EACH DOOR

NOTE: Drawers come with a stainless steel pull tab handle

Polished stainless w/lock	No charge
Stainless pull tab w/lock	No charge
Polished brass w/lock	\$150



Optional Drawers

Glastender's refrigerated drawers include adjustable divider walls.

20" wide drawer opening shown

TOP STYLE

	24"	28"	36"	44"	48"
No finished top	No charge				
Stainless top	\$276	\$293	\$326	\$361	\$378
Laminated top	\$586	\$599	\$625	\$652	\$665
Drainboard top	\$456	\$485	\$546	\$605	\$635

4" HIGH STAINLESS SPLASHES

	24"	28"	36"	44"	48"
NOTE: Can only be ordered with stainless steel top					
Backsplash	\$101	\$106	\$116	\$126	\$130
Left side splash	\$101	\$101	\$101	\$101	\$101
Right side splash	\$101	\$101	\$101	\$101	\$101

LEFT SIDE FINISH

Black vinyl-clad	No charge
Stainless Steel	\$30
Laminated	\$182

RIGHT SIDE FINISH

Black vinyl-clad	No charge
Stainless Steel	\$30
Laminated	\$182

BACK FINISH

	24"	28"	36"	44"	48"
Galvanized steel	No charge				
Stainless steel*	\$229	\$237	\$254	\$271	\$281

*NOTE: Stainless steel back option also includes stainless steel sides.

LED LIGHTING STYLE

Bright white (7,000k), standard	No charge
Warm white (3,500k)	No charge
Blue	No charge

LEG AND STAINLESS STEEL KICK RAILS

NOTE: Legs are required if kick rails are ordered.

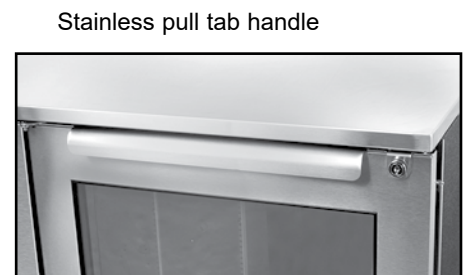
	24"	28"	36"	44"	48"
6" legs	\$128	\$128	\$128	\$128	\$128
Front kick rail	\$80	\$83	\$89	\$95	\$99
Left side kick rail	\$80	\$80	\$80	\$80	\$80
Right side kick rail	\$80	\$80	\$80	\$80	\$80

CASTERS

	24"	28"	36"	44"	48"
4" casters	\$114	\$114	\$114	\$114	\$114
2-1/2" casters	\$64	\$64	\$64	\$64	\$64

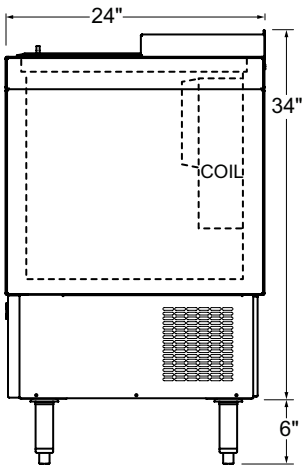


Polished stainless handle



Stainless pull tab handle

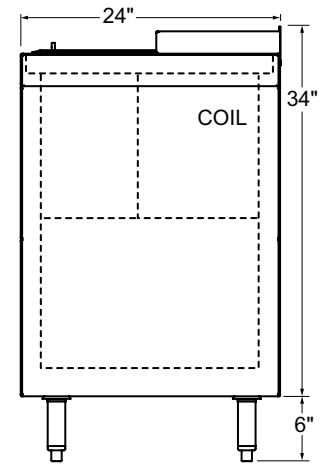
Bar Refrigeration



ST24
Side Elevation



ST48-S



ST36, ST48, ST60, ST72, ST96
Side Elevation

SLIDE TOP COOLERS

BLACK VINYL-CLAD EXTERIOR		STAINLESS STEEL EXTERIOR		LENGTH	DIVIDER RACKS	CASE CAP. BOTTLES	WGT
MODEL	LIST	MODEL	LIST				
ST24-B	\$3,506	ST24-S	\$3,680	24"	1	6.0	180#
ST36-B	\$4,049	ST36-S	\$4,235	36"	2	9.4	230#
ST48-B	\$5,163	ST48-S	\$5,360	48"	3	13.8	270#
ST60-B	\$5,876	ST60-S	\$6,084	60"	3	19.9	320#
ST72-B	\$6,642	ST72-S	\$6,864	72"	4	25.4	350#
ST96-B*	\$7,997	ST96-S*	\$8,242	96"	5	34.4	450#

*NOTE: These model Slide Top Coolers are manufactured to order and are not returnable

PRODUCT INFORMATION

(see ST Spec Sheet for complete details)

STANDARD FEATURES:

- Self-contained refrigeration
- All stainless steel interior with radius corners is easy to keep clean
- Easy to plan exterior dimensions: 24" front to back and 24", 36", 48", 60", 72", or 96" left to right
- Foamed-in-place insulation
- Six-foot grounded cord and plug provided (exits at rear)
- Automatic defrost timer
- Door lock(s)

ELECTRICAL:

- Dedicated 15 amp circuit is required
- 120V, 1 phase, 60 Hz, 4.5 full load amps
- Includes 9-foot grounded cord

REFRIGERATION:

- 1/6 HP, R290 refrigerant

PLUMBING:

Automatic condensate evaporator. No drain connection required.

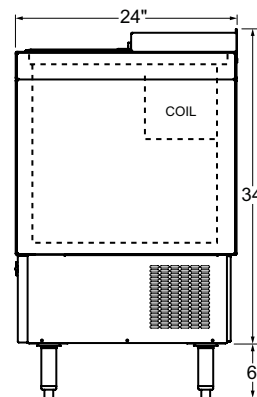
ACCESSORIES

MODEL	DESCRIPTION	LIST	WT	MODEL	DESCRIPTION	LIST	WT
C-4X4	4"H caster, set of four (ST24, ST36, ST48, ST60)	\$114	4#	STKR-60	60" kick rail	\$109	5#
C-6X4	4"H caster, set of six (ST72, ST96)	\$171	6#	STKR-72	72" kick rail	\$119	6#
C-4X2	2-1/2"H caster, set of four (ST24, ST36)	\$64	4#	STKR-96	96" kick rail	\$138	9#
C-6X2	2-1/2"H caster, set of six (ST48, ST60)	\$96	6#	STBS-24	24" slide top backsplash	\$101	4#
C-8X2	2-1/2"H caster, set of eight (ST72)	\$128	8#	STBS-36	36" slide top backsplash	\$116	6#
C-10X2	2-1/2"H caster, set of ten (ST96)	\$160	10#	STBS-48	48" slide top backsplash	\$130	8#
STLS-4	Legs (set of 4), 6" (ST24, 36, 48, 60)	\$128	12#	STBS-60	60" slide top backsplash	\$145	10#
STLS-6	Legs (set of 6), 6" (ST72, 96)	\$192	18#	STBS-72	72" slide top backsplash	\$161	12#
BO/CC	Bottle opener/cap catcher	\$64	5#	STBS-96	96" slide top backsplash	\$191	16#
STKR-24	24" kick rail	\$80	2#	08000512	Chrome divider rack (extra) for ST36, 48, 60, 72, and 96	\$61	4#
STKR-36	36" kick rail	\$89	3#	08000519	Stainless steel divider wall (extra) for ST24	\$67	5#
STKR-48	48" kick rail	\$99	4#	CE-220/50S	Convert self-contained unit to 220V/50Hz electrical	\$194	N/A

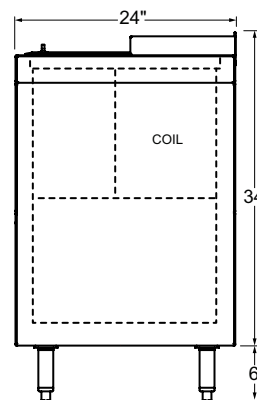


MF48-S2

NOTE: Units come standard with bottom rack, which is recommended for chilling stacked plates. Two additional layers of shelves are optional, which is recommended for chilling glassware.



MF24
Side Elevation



MF36, MF48
Side Elevation

24" MODELS

BLACK VINYL-CLAD EXTERIOR		STAINLESS STEEL EXTERIOR		NUMBER OF SHELVES	WGT
MODEL	LIST	MODEL	LIST		
MF24-B	\$4,139	MF24-S	\$4,312	0	195#
MF24-B2	\$4,258	MF24-S2	\$4,430	2	205#

36" MODELS

BLACK VINYL-CLAD EXTERIOR		STAINLESS STEEL EXTERIOR		NUMBER OF SHELVES	WGT
MODEL	LIST	MODEL	LIST		
MF36-B	\$4,647	MF36-S	\$4,831	0	235#
MF36-B2	\$4,830	MF36-S2	\$5,015	2	255#

48" MODELS

BLACK VINYL-CLAD EXTERIOR		STAINLESS STEEL EXTERIOR		NUMBER OF SHELVES	WGT
MODEL	LIST	MODEL	LIST		
MF48-B	\$5,243	MF48-S	\$5,440	0	280#
MF48-B2	\$5,494	MF48-S2	\$5,690	2	300#

ACCESSORIES

MODEL	DESCRIPTION	LIST	WT
C-4X4	4"H caster, set of four	\$114	4#
C-4X2	2-1/2"H caster, set of four	\$64	4#
MFLS	Legs (set of 4), 6"	\$128	12#
MFKR-24	24" kick rail	\$80	2#
MFKR-36	36" kick rail	\$89	3#
MFKR-48	48" kick rail	\$99	4#
SSR-24	24" single speed rail	\$200	7#
SSR-36	36" single speed rail	\$233	12#
SSR-48	48" single speed rail	\$267	22#
MFBS-24	24" backsplash	\$101	4#
MFBS-36	36" backsplash	\$116	6#
MFBS-48	48" backsplash	\$130	8#
CE-220/50S	Convert self-contained unit to 220V/50Hz electrical	\$194	N/A

PRODUCT INFORMATION

(see MF Spec Sheet for complete details)

STANDARD FEATURES: All stainless steel interior construction
 • Units come standard with bottom rack, which is recommended for chilling stacked plates. Two additional layers of shelves are optional, which is recommended for chilling glassware. • Two Defrost Cycles: *Automatic* - occurs every eight hours without affecting normal operation, *Manual* - user initiated button for complete six-hour defrost with automatic restart

ELECTRICAL: 120V, 1 phase, 60 Hz, 6.0 full load amps. Includes 9-foot grounded cord.

REFRIGERATION: 1/3 HP, R290 refrigerant, operating range: 12°F to 35°F

PLUMBING: No drain connection required

CAPACITY: Pint glasses - 24" Model = 55♦, 36" Model = 87♦, 48" Model = 147♦

♦ Based on models with two additional layers of shelves and filled with 3-1/2" diameter by 5-7/8" high pint glasses

Bar Refrigeration

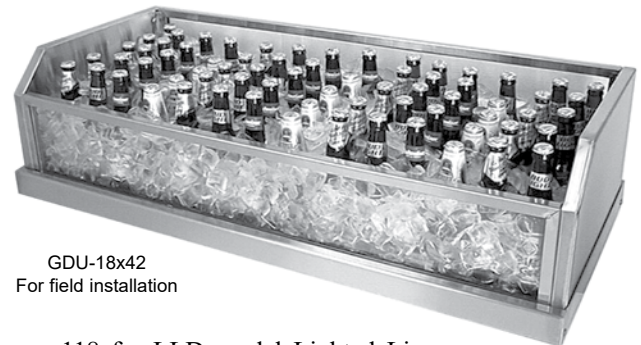
12" DEEP GLASS ICE DISPLAY UNITS

MODEL	LIST	WEIGHT	LENGTH
GDU-12X24	\$1,499	60#	24"
GDU-12X30	\$1,568	65#	30"
GDU-12X36	\$1,636	70#	36"
GDU-12X42	\$1,706	75#	42"
GDU-12X48	\$1,774	80#	48"
GDU-12X54	\$1,844	85#	54"
GDU-12X60	\$2,528	90#	60"
GDU-12X66	\$2,622	95#	66"
GDU-12X72	\$2,718	100#	72"
GDU-12X78	\$2,812	105#	78"
GDU-12X84	\$2,907	110#	84"
GDU-12X90	\$3,002	115#	90"
GDU-12X96	\$3,096	120#	96"
GDU-12X102	\$3,192	125#	102"
GDU-12X108	\$3,285	130#	108"



NOTE: Cooler top is 1-1/2" high NOT the standard 1"

GDU-16x48
Factory mounted on cooler cabinet



GDU-18x42
For field installation

16" DEEP GLASS ICE DISPLAY UNITS

16" Deep Glass Display Units factory installed on cooler tops are perfect for use with Glasterder Lighted Liquor Displays.

MODEL	LIST	WEIGHT	LENGTH
GDU-16X24	\$1,659	70#	24"
GDU-16X30	\$1,729	75#	30"
GDU-16X36	\$1,798	80#	36"
GDU-16X42	\$1,867	85#	42"
GDU-16X48	\$1,937	90#	48"
GDU-16X54	\$2,006	95#	54"
GDU-16X60	\$2,690	100#	60"
GDU-16X66	\$2,785	105#	66"
GDU-16X72	\$2,879	110#	72"
GDU-16X78	\$2,974	115#	78"
GDU-16X84	\$3,068	120#	84"
GDU-16X90	\$3,162	125#	90"
GDU-16X96	\$3,257	130#	96"
GDU-16X102	\$3,352	135#	102"
GDU-16X108	\$3,446	140#	108"

See page 118 for LLD model Lighted Liquor Displays that are specifically designed for use with Glasterder Glass Ice Display Units.

24" DEEP GLASS ICE DISPLAY UNITS

MODEL	LIST	WEIGHT	LENGTH
GDU-24X24	\$1,821	75#	24"
GDU-24X30	\$1,890	80#	30"
GDU-24X36	\$1,960	85#	36"
GDU-24X42	\$2,029	90#	42"
GDU-24X48	\$2,097	95#	48"
GDU-24X54	\$2,167	100#	54"
GDU-24X60	\$2,847	110#	60"
GDU-24X66	\$2,942	115#	66"
GDU-24X72	\$3,037	120#	72"
GDU-24X78	\$3,131	125#	78"
GDU-24X84	\$3,226	130#	84"
GDU-24X90	\$3,321	135#	90"
GDU-24X96	\$3,415	140#	96"
GDU-24X102	\$3,510	145#	102"
GDU-24X108	\$3,605	150#	108"

PRODUCT INFORMATION

(see GDU Spec Sheet for complete details)

STANDARD FEATURES

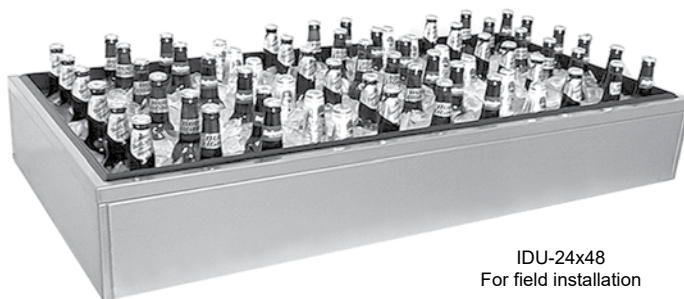
- Stainless steel foamed-in-place insulated end panels (units larger than 54" include center partition)
- Field installed units include a stainless steel insulated drain pan to mount to existing counter top
- Factory installed units include a special stainless steel insulated cooler top with built-in drain pan
- Double pane glass front and back panels with stainless steel trim
- Stainless steel perforated bottom inserts (1/2" tall)

NOTE: Glass ice display units merchandise bottled beverages and may be factory mounted to the top of most Glasterder coolers. Glass Ice Display Units ordered for field installation include a special insulated stainless steel drain pan that mounts to a countertop.

18" DEEP GLASS ICE DISPLAY UNITS

MODEL	LIST	WEIGHT	LENGTH
GDU-18X24	\$1,659	70#	24"
GDU-18X30	\$1,729	75#	30"
GDU-18X36	\$1,798	80#	36"
GDU-18X42	\$1,867	85#	42"
GDU-18X48	\$1,937	90#	48"
GDU-18X54	\$2,006	95#	54"
GDU-18X60	\$2,690	100#	60"
GDU-18X66	\$2,785	105#	66"
GDU-18X72	\$2,879	110#	72"
GDU-18X78	\$2,974	115#	78"
GDU-18X84	\$3,068	120#	84"
GDU-18X90	\$3,162	125#	90"
GDU-18X96	\$3,257	130#	96"
GDU-18X102	\$3,352	135#	102"
GDU-18X108	\$3,446	140#	108"

*NOTE: Glass Ice Display Units are manufactured to order and are not returnable



IDU-24x48
For field installation

STANDARD FEATURES

- All stainless steel construction
- PVC “Breaker Strip” around ice bins acts as thermal barrier to prevent heat transfer
- Foamed-in-place insulation
- Stainless steel front, back, and sides are standard; black vinyl-clad is optional
- 1/2” tall perforated stainless steel bottom inserts
- Available as factory installed on top of a cooler cabinet or as field installed on a countertop
- 7” high with 6” deep liner

PRODUCT INFORMATION

(see IDU Spec Sheet for complete details)

Ice display units merchandise bottled beverages and may be factory mounted to the top of most Glastender coolers.

Ice display unit may also be field installed to an existing countertop. A \$400 list deduct applies to field installed units.

12” DEEP ICE DISPLAY UNITS

<u>MODEL</u>	<u>LIST</u>	<u>WEIGHT</u>	<u>LENGTH</u>
IDU-12X24	\$1,345	35#	24”
IDU-12X30	\$1,439	40#	30”
IDU-12X36	\$1,535	45#	36”
IDU-12X42	\$1,629	50#	42”
IDU-12X48	\$1,724	55#	48”
IDU-12X54	\$1,819	60#	54”
IDU-12X60	\$1,913	65#	60”

18” DEEP ICE DISPLAY UNITS

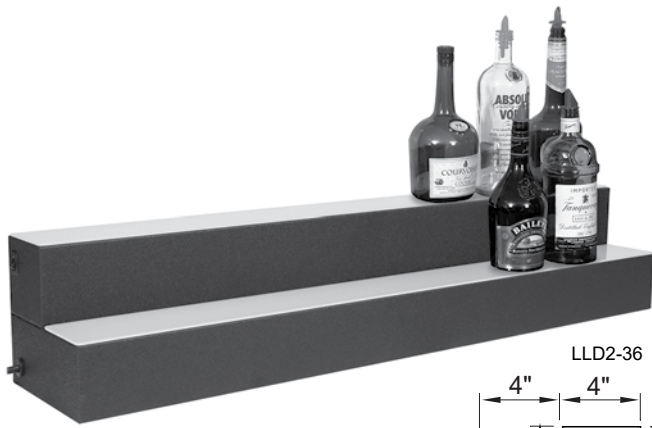
<u>MODEL</u>	<u>LIST</u>	<u>WEIGHT</u>	<u>LENGTH</u>
IDU-18X24	\$1,519	45#	24”
IDU-18X30	\$1,653	50#	30”
IDU-18X36	\$1,786	58#	36”
IDU-18X42	\$1,919	66#	42”
IDU-18X48	\$2,053	74#	48”
IDU-18X54	\$2,186	82#	54”
IDU-18X60	\$2,318	90#	60”

24” DEEP ICE DISPLAY UNITS

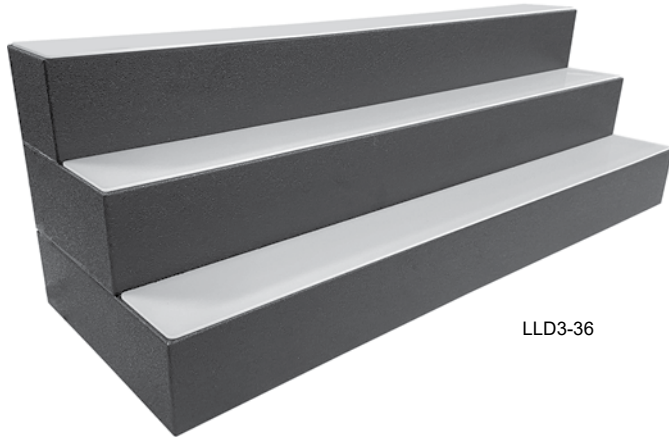
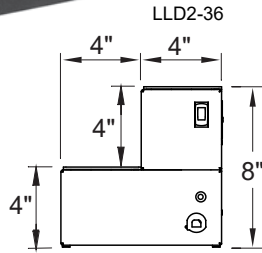
<u>MODEL</u>	<u>LIST</u>	<u>WEIGHT</u>	<u>LENGTH</u>
IDU-24X24	\$1,679	55#	24”
IDU-24X30	\$1,854	65#	30”
IDU-24X36	\$2,031	75#	36”
IDU-24X42	\$2,207	85#	42”
IDU-24X48	\$2,383	95#	48”
IDU-24X54	\$2,558	105#	54”
IDU-24X60	\$2,734	115#	60”

Bar Refrigeration

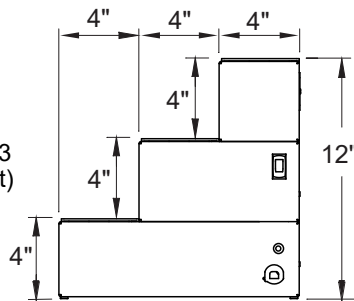
*NOTE: Ice Display Units are manufactured to order and are not returnable



SIDE VIEW - LLD2
(if power cord right)



SIDE VIEW - LLD3
(if power cord right)



TWO TIER LIGHTED LIQUOR DISPLAYS

MODEL	LIST	LENGTH	WEIGHT
LLD2-24	\$672	24"	25#
LLD2-30	\$749	30"	29#
LLD2-36	\$820	36"	33#
LLD2-42	\$890	42"	37#
LLD2-48	\$966	48"	41#
LLD2-54	\$1,057	54"	45#
LLD2-60	\$1,127	60"	58#

Base price only. See below for configurable options.

THREE TIER LIGHTED LIQUOR DISPLAYS

MODEL	LIST	LENGTH	WEIGHT
LLD3-24	\$941	24"	30#
LLD3-30	\$1,059	30"	35#
LLD3-36	\$1,165	36"	40#
LLD3-42	\$1,271	42"	44#
LLD3-48	\$1,383	48"	49#
LLD3-54	\$1,522	54"	54#
LLD3-60	\$1,627	60"	70#

Base price only. See below for configurable options.

PRODUCT INFORMATION

(see LLD Spec Sheet for complete details)

STANDARD FEATURES: Provides illuminated, stepped liquor bottle storage and display • Black vinyl-clad or stainless steel exterior • On/off switch and 6-foot grounded cord and plug • Includes LED light strips • LED lighting style available as bright white, warm white, or adjustable multi-color • Opaque acrylic step cover

ELECTRICAL: 100-240 VAC, 1 phase, 50/60Hz, less than 2 full load amps • Includes on/off switch and 6-foot grounded cord and plug

*NOTE: Lighted Liquor Displays are manufactured to order and are not returnable

Bar Refrigeration

Select Configurable Options:

POWER CORD STYLE

Type B - NEMA 5-15P (Default - North America)	No charge
Type F (Europe)	No charge
Type M (India)	No charge

POWER CORD LOCATION

Left	No charge
Right	No charge

EXTERIOR FINISH

Black vinyl-clad	No charge
Stainless steel	\$39

LED LIGHTING

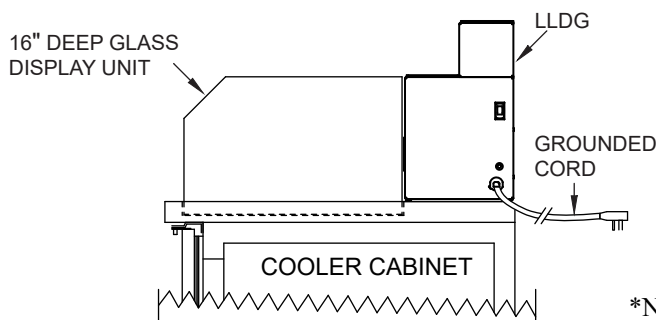
Bright white	No charge
Warm white	No charge
Adjustable multi-color	\$148



LLDG-48 shown installed with a GDU-16x48 factory mounted on cooler cabinet



LLDG-36



SIDE VIEW OF LLDG
(with factory installed 16" deep glass ice display unit)

*NOTE: Lighted Liquor Displays are manufactured to order and are not returnable

LLDG model Lighted Liquor Displays are specifically designed for use with Glastender Glass Ice Display Units (see page 115). When mounted on a cooler at the factory, the 16" deep GDU models have an 8-1/4" rear deck space designed to fit the 8" deep LLDG. The 9-1/4" high first step of the LLDG raises the bottles above the back of the GDU. Also, the LLDG has a front light channel to help illuminate the GDU. (See the side view detail.)

GLASS ICE DISPLAY UNIT LIGHTED LIQUOR DISPLAYS

MODEL	LIST	LENGTH	WEIGHT
LLDG-24	\$993	24"	25#
LLDG-30	\$1,107	30"	29#
LLDG-36	\$1,209	36"	33#
LLDG-42	\$1,312	42"	37#
LLDG-48	\$1,421	48"	41#
LLDG-54	\$1,557	54"	45#
LLDG-60	\$1,659	60"	58#

Base price only. See below for configurable options.

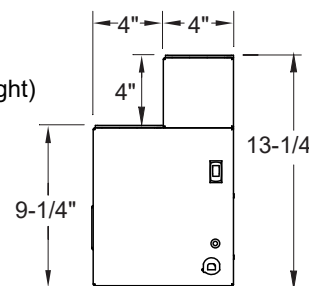
PRODUCT INFORMATION

(see LLD Spec Sheet for complete details)

STANDARD FEATURES: Provides illuminated, stepped liquor bottle storage and display • Black vinyl-clad or stainless steel exterior • On/off switch and 6-foot grounded cord and plug • Includes LED light strips • LED lighting style available as bright white, warm white, or adjustable multi-color • Opaque acrylic step cover • 9-1/4" high first step and a front light channel for use in conjunction with Glastender Glass Ice Display Units

ELECTRICAL: 100-240 VAC, 1 phase, 50/60Hz, less than 2 full load amps • Includes on/off switch and 6-foot grounded cord and plug

SIDE VIEW
(if power cord right)



Bar Refrigeration

Select Configurable Options:

POWER CORD STYLE

Type B - NEMA 5-15P (Default - North America)	No charge
Type F (Europe)	No charge
Type M (India)	No charge

POWER CORD LOCATION

Left	No charge
Right	No charge

LED LIGHTING

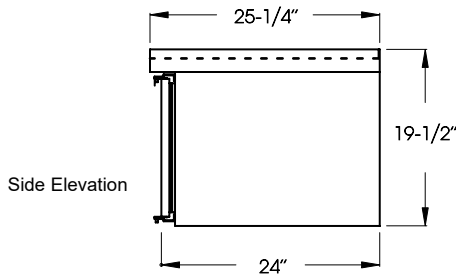
Bright white	No charge
Warm white	No charge
Adjustable multi-color	\$148

EXTERIOR FINISH

Black vinyl-clad	No charge
Stainless steel	\$39



MS20-SS(L)
Shown with CLS-4
leg set accessory



PRODUCT INFORMATION

(see MS Spec Sheet for complete details)

- STANDARD FEATURES:** Galvanized steel interior construction • Foamed-in-place insulation for extra sturdiness • Black vinyl-clad steel exterior front and sides • Stainless steel pull tab handle • Leg sockets recessed into base • 180° swinging door(s) • Stainless steel top with 1" high back and side splashes

ONE DOOR MARGARITA MACHINE STAND

MODEL	LENGTH	DOORFINISH	LIST	WEIGHT
MS20-BS(L)† or (R)†	20"	Black	\$1,495	110#
MS20-SS(L)† or (R)†	20"	Stainless	\$1,525	110#
MS24-BS(L)† or (R)†	24"	Black	\$1,550	115#
MS24-SS(L)† or (R)†	24"	Stainless	\$1,580	115#

†Indicate (L) Left or (R) Right door hinge.

TWO DOOR MARGARITA MACHINE STAND

MODEL	LENGTH	DOORFINISH	LIST	WEIGHT
MS44-BS(LR)	44"	Black	\$2,738	200#
MS44-SS(LR)	44"	Stainless	\$2,798	200#
MS48-BS(LR)	48"	Black	\$2,793	210#
MS48-SS(LR)	48"	Stainless	\$2,853	210#

SET OF FOUR 6" LEGS

MODEL	LIST	WEIGHT
CLS-4	\$128	5#

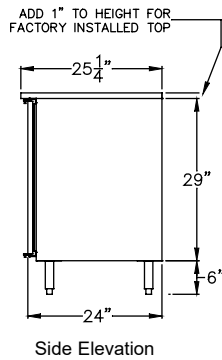
*NOTE: Margarita Machine Stands are manufactured to order and are not returnable.

Bar Refrigeration

Low Profile Dry Storage Cabinets*



LPDS24-1LL(R)



ONE DOOR LOW PROFILE DRY STORAGE CABINET

Standard List = \$1,383

Weight without top - 120# / with top = 135#

LPDS24- ()

Door Style:
B = Black vinyl clad
U = Unlaminated
L = Laminated - Add \$182
S = Stainless - Add \$30

Door Hinge Location:
(from left to right)
L = Left or R = Right

Top Style:
N = No finished top
L = Laminated - Add \$586
S = Stainless - Add \$315

ACCESSORIES

MODEL	DESCRIPTION	LIST
DH-PBU	Upgrade to brass handle	\$150
THK	Stainless pull tab w/lock - No charge	
CLS-4	6" leg, set of four	\$128
CKR-24	24" kick rail	\$80
CKR-L	Left side kick rail	\$80
CKR-R	Right side kick rail	\$80
SL/LP-L	Left side lamination	\$182
SL/LP-R	Right side lamination	\$182
SS/LP-L	Left side stainless steel	\$30
SS/LP-R	Right side stainless steel	\$30
C-4X4	Casters (set of 4), 3-3/4"	\$114

PRODUCT INFORMATION

(see LPDS Spec Sheet for complete details)

- STANDARD FEATURES:** Galvanized steel interior construction • Foamed-in-place insulation for extra sturdiness • Black vinyl-clad steel exterior front and sides • Stainless steel die cast handle with lock • Leg sockets recessed into base • 180° swinging door

*NOTE: Low Profile Dry Storage Cabinets are manufactured to order and are not returnable.



DS24-LL(R)

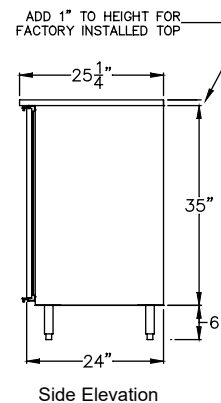
PRODUCT INFORMATION

(see Dry Storage Spec Sheet for complete details)

STANDARD FEATURES:

- Galvanized steel interior construction
- Galvanized steel back

*NOTE: DS48 and DS72 model dry storage cabinets are manufactured to order and are not returnable



DRY STORAGE CABINETS

MODEL	LIST	LENGTH	DOORS	WEIGHT
DS24	\$1,519	24"	1	140#
DS48*	\$2,900	48"	2	265#
DS72*	\$3,924	72"	3	380#

Base price only. See below for configurable options.

Select Configurable Options:

DOOR OPTIONS

NOTE: Select options for EACH Door Section

STYLE AND FINISH - SPECIFY & ADD FOR EACH DOOR

Door - Black vinyl-clad	No charge
Door - Unlaminated	No charge
Door - Stainless steel	\$30
Door - Jeweled stainless	\$159
Door - Laminated	\$182

DOOR HINGE LOCATION - SPECIFY & ADD FOR EACH DOOR

Left	No charge
Right	No charge

SHELVING

Two adjustable shelves per door included	No charge
--	-----------

DOOR HANDLE - SPECIFY & ADD FOR EACH DOOR

Polished stainless w/lock	No charge
Stainless pull tab w/lock	No charge
Polished brass w/lock	\$150



Polished stainless handle



Stainless pull tab handle

TOP STYLE

	24"	48"	72"
No finished top			No charge
Stainless top	\$315	\$378	\$481
Laminated top	\$586	\$665	\$743

LEFT SIDE FINISH

Black vinyl-clad	No charge
Stainless Steel	\$30
Laminated	\$182

RIGHT SIDE FINISH

Black vinyl-clad	No charge
Stainless Steel	\$30
Laminated	\$182

LEG AND STAINLESS STEEL KICK RAILS

NOTE: Legs are required if kick rails are ordered.

	24"	48"	72"
6" legs	\$128	\$128	\$192
Front kick rail	\$80	\$99	\$119
Left side kick rail	\$80	\$80	\$80
Right side kick rail	\$80	\$80	\$80

CASTERS

	24"	48"	72"
4" casters	\$114	\$114	\$171
2-1/2" casters	\$64	\$96	\$128

Bar Refrigeration

*NOTE: These items are manufactured to order and are not returnable



BGS-24
shown with TOP-24-S

PRODUCT INFORMATION

(see BGS and BLD Spec Sheets for complete details)

STANDARD FEATURES: Specially designed for the back bar • Stainless steel interior with black-vinyl clad exterior sides • For stainless steel exterior sides add '-S' suffix to model number • Available with stainless steel or laminated finished top • BLD features a built-in light for illuminating bottles • BLD has radius step edges for easy cleaning • BLD features PVC step covers to reduce bottle noise • BGS has radius shelf corners for easy cleaning • BGS has four shelves for maximum storage capacity

24" DEEP BACK BAR GLASS STORAGE UNITS

<u>BLACK</u>	<u>LIST</u>	<u>STAINLESS</u>	<u>LIST</u>	<u>LENGTH</u>	<u>WGT</u>
BGS-18	\$1,766	BGS-18-S	\$1,826	18"	110#
BGS-24	\$2,036	BGS-24-S	\$2,096	24"	135#
BGS-30	\$2,306	BGS-30-S	\$2,366	30"	160#

24" DEEP BACK BAR LIQUOR DISPLAYS

<u>BLACK</u>	<u>LIST</u>	<u>STAINLESS</u>	<u>LIST</u>	<u>LENGTH</u>	<u>WGT</u>
BLD-18	\$1,655	BLD-18-S	\$1,715	18"	95#
BLD-24	\$1,823	BLD-24-S	\$1,883	24"	105#
BLD-30	\$1,992	BLD-30-S	\$2,052	30"	120#
BLD-36	\$2,160	BLD-36-S	\$2,220	36"	130#
BLD-42	\$2,329	BLD-42-S	\$2,389	42"	145#
BLD-48	\$2,498	BLD-48-S	\$2,558	48"	155#



BLD-24
shown with TOP-24-S

FINISHED TOPS

<u>STAINLESS</u>	<u>LIST</u>	<u>LAMINATED</u>	<u>LIST</u>	<u>LENGTH</u>	<u>WGT</u>
TOP-18-S	\$280	TOP-18-L	\$580	18"	15#
TOP-24-S	\$315	TOP-24-L	\$586	24"	18#
TOP-30-S	\$351	TOP-30-L	\$605	30"	21#
TOP-36-S	\$386	TOP-36-L	\$625	36"	24#
TOP-42-S	\$421	TOP-42-L	\$644	42"	27#
TOP-48-S	\$456	TOP-48-L	\$665	48"	30#

STAINLESS KICK RAILS

<u>MODEL</u>	<u>LIST</u>	<u>LENGTH</u>	<u>WGT</u>
CKR-18	\$75	18"	2#
CKR-24	\$80	24"	4#
CKR-30	\$84	30"	6#
CKR-36	\$89	36"	8#
CKR-42	\$93	42"	10#
CKR-48	\$99	48"	12#

LOCKING COVERS FOR BACK BAR LIQUOR DISPLAYS

<u>STAINLESS</u>	<u>LIST</u>	<u>BLACK</u>	<u>LIST</u>	<u>LENGTH</u>	<u>WGT</u>
BLC-18-S	\$282	BLC-18	\$227	18"	18#
BLC-24-S	\$317	BLC-24	\$247	24"	20#
BLC-30-S	\$352	BLC-30	\$269	30"	25#
BLC-36-S	\$387	BLC-36	\$289	36"	30#
BLC-42-S	\$422	BLC-42	\$311	42"	35#
BLC-48-S	\$459	BLC-48	\$333	48"	40#

SET OF FOUR 6" LEGS

<u>MODEL</u>	<u>LIST</u>	<u>WEIGHT</u>
CLS-4	\$128	5#

See CS18 Spec Sheet for additional product information

FORCED AIR CROSSOVER & SHAFT ASSEMBLIES

MODEL	DESCRIPTION	LIST	WT
CROSS-RR	30" crossover tube assembly w/100 CFM blower motor from a refrigerator to another	\$865	15#
CROSS-WR	30" crossover tube assembly w/100 CFM blower motor from a walk-in cooler to a refrigerator	\$872	20#
CROSS-WT	30" crossover tube assembly w/100 CFM blower motor from a walk-in cooler to a wall mount tower	\$882	20#
SHAFT-RT	72" air shaft assembly with 100 CFM blower motor from a refrigerator to a beer tower	\$889	25#
SHAFT-WT	72" air shaft assembly with 100 CFM blower motor from a walk-in cooler to a beer tower	\$912	28#

2" CASTER SETS

MODEL	DESCRIPTION	LIST	WT
C-4X2	2-1/2"H caster, set of four for 24" front-serviced cooler	\$64	4#
C-4X2-S	2-1/2"H caster, set of four for side-serviced coolers and frosters	\$64	4#
C-5X2	2-1/2"H caster, set of five for 32" and 36" front-serviced coolers	\$78	5#
C-6X2	2-1/2"H caster, set of six for 2-door coolers	\$96	6#
C-8X2	2-1/2"H caster, set of eight for 3-door coolers	\$128	8#
C-10X2	2-1/2"H caster, set of ten for 4-door coolers	\$160	10#

4" CASTER SETS

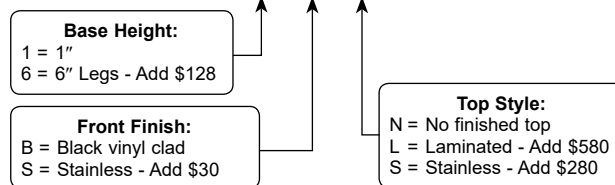
MODEL	DESCRIPTION	LIST	WT
C-4X4	4"H caster, set of four, for 2-door front-serviced coolers	\$114	4#
C-4X4-S	4"H caster, set of four, for side-serviced coolers and frosters	\$114	4#
C-5X4	4"H caster, set of five, for 32" and 36" front-serviced coolers	\$138	5#
C-6X4	4"H caster, set of six, for coolers with 3 or 4 doors	\$171	6#

18" CONDENSING UNIT STORAGE CABINET

Standard List = \$1,173

Weight without top = 85# / with top = 105#

CS18-N - N



CS18-N1-SNN

Bar Refrigeration

6" LEG SETS

MODEL	DESCRIPTION	LIST	WT
CLS-4	Set of four legs, for front-serviced and remote coolers up to 2 doors - does not include 32" and 36" front-serviced coolers (see CLS-5)	\$128	5#
CLS-4-S	Set of four legs, for side-serviced coolers and frosters	\$128	6#
CLS-5	Set of five legs, for 32" and 36" front-serviced coolers	\$160	6#
CLS-6	Set of six legs, for coolers with 3 or 4 doors	\$192	7#

PRODUCT INFORMATION

(see BLC Spec Sheet for complete details)

STANDARD FEATURES:

- Glycol connections with flared fittings for easy service access
- Durable black vinyl-clad exterior with 16 gauge galvanized steel base
- Stainless steel, foamed-in-place insulated glycol bath
- High efficiency heat exchanger minimizes glycol bath size to one gallon
- CFC-free R134a refrigerant
- Front located glycol filling port

ADDITIONAL FEATURES ON REMOTE INSTALLABLE CONTROL PANEL MODELS:

- Digital temperature control with LCD display
- Over-sized condenser coil for maximum efficiency
- Clear glycol bath cover for easy visual inspection
- Available with two recirculating pumps

Protected by one or more patents. For more information visit:
<https://www.glastender.com/patents>

ELECTRICAL:

BLC-1/3-E: 120V, 1 phase, 60 Hz, 12.5 full load amps, dedicated 20 amp circuit req'd

BLC-1/3: 120V, 1 phase, 60 Hz, 12.5 full load amps, dedicated 20 amp circuit req'd

BLC-1/3-2: 120V, 1 phase, 60 Hz, 18.6 full load amps, dedicated 30 amp circuit req'd

BLC-1/2: 120V, 1 phase, 60 Hz, 13.5 full load amps, dedicated 20 amp circuit req'd

BLC-1/2-2: 120V, 1 phase, 60 Hz, 19.5 full load amps, dedicated 30 amp circuit req'd

BLC-3/4: 230V, 1 phase, 60 Hz, 10.1 full load amps, dedicated 20 amp circuit req'd

BLC-3/4-2: 230V, 1 phase, 60 Hz, 12.9 full load amps, dedicated 20 amp circuit req'd

NOTE: Available with 220V, 1 phase, 50Hz electrical. See Electrical Accessories.

REFRIGERATION:

BLC-1/3-E, BLC-1/3 and BLC-1/3-2: 1/3 HP, R134a refrigerant

BLC-1/2 and BLC-1/2-2: 1/2 HP, R134a refrigerant

BLC-3/4 and BLC-3/4-2: 3/4 HP, R134a refrigerant

Beverage Dispensing

What is a remote installable control panel?

The Glastender patented beverage line chiller design houses the heat exchanger inside the condensing unit compartment. This unique feature allows the control panel with glycol bath and recirculating pump(s) to be easily installed separately from the condensing unit in a more conveniently accessible location. Simply remove the control panel from the condensing unit cabinet and mount it in the desired location. Only glycol and electrical lines need to be run between the control panel and the condensing unit cabinet.

Electrical connection between condensing unit and control panel by local electrician

Glycol line from heat exchanger to bath

Digital temperature control with LCD display

Power cord for unit

Condensing unit and heat exchanger cabinet

Glycol return from beverage tower to heat exchanger

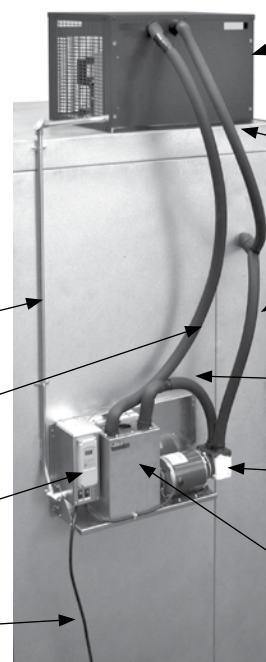
Glycol line from pump to beverage tower

Glycol line from bath to pump

Recirculating pump

One gallon glycol bath

Photo shows BLC-1/3 in an installation setting with the control panel installed remotely from the condensing unit cabinet.



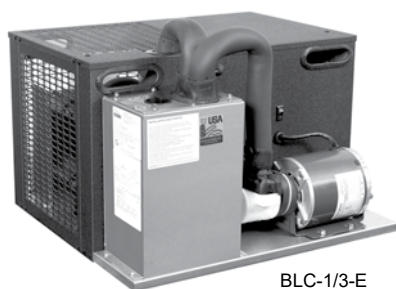
Which line chiller size should you choose? Remote beverage line chillers are sized to handle different length runs. If two separate conduits are involved, then the lengths of the two runs must be added together to determine the total run requirement. The run length is calculated as the distance between the line chiller and the beverage tower in a single pass glycol conduit, including any rise or fall.

1/3 HP BEVERAGE LINE CHILLER

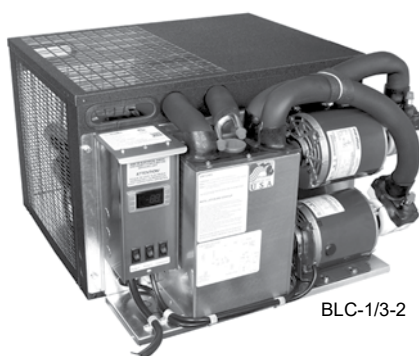
MODEL	DESCRIPTION	LIST	WT	MAX RUN
BLC-1/3-E	1/3 HP beverage line chiller, one pump	\$3,631	128#	125'

BEVERAGE LINE CHILLERS WITH REMOTE INSTALLABLE CONTROL PANEL

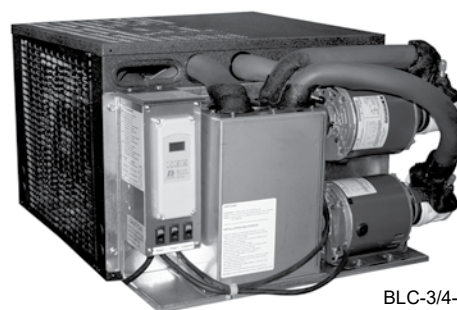
MODEL	DESCRIPTION	LIST	WT	MAX RUN
BLC-1/3	1/3 HP beverage line chiller, one pump	\$4,202	150#	125'
BLC-1/3-2	1/3 HP beverage line chiller, two pumps	\$5,186	163#	125'
BLC-1/2	1/2 HP beverage line chiller, one pump	\$4,617	153#	250'
BLC-1/2-2	1/2 HP beverage line chiller, two pumps	\$5,600	166#	250'
BLC-3/4	3/4 HP beverage line chiller, one pump	\$5,649	175#	400'
BLC-3/4-2	3/4 HP beverage line chiller, two pumps	\$6,632	193#	400'



BLC-1/3-E



BLC-1/3-2



BLC-3/4-2

Beverage Line Chiller Accessories



LCS-G

(see LCS and LCR Spec Sheets for complete details)

All stands are 39" high by 25-5/16" deep. LCS-S and LCS-G stands are 26-7/8" wide. LCS-S2 and LCS-G2 stands are 32-7/8" wide to accommodate a line chiller on both the top and bottom shelf. Comes with adjustable feet for leveling. The bottom shelf is at the 8" high level. Pre-drilled mounting holes fit Glastender line chiller models. The four stands are used for all line chiller models.

LINE CHILLER STANDS

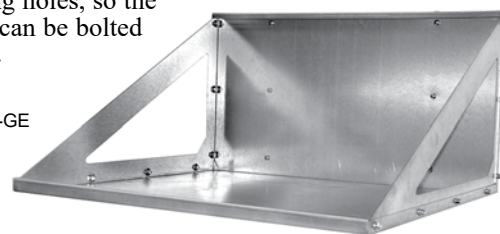
MODEL	DESCRIPTION	LIST	WT
LCS-S	Line chiller stand, stainless	\$925	70#
LCS-S2	Line chiller stand, stainless	\$1,002	82#
LCS-G	Line chiller stand, galvanized	\$540	70#
LCS-G2	Line chiller stand, galvanized	\$586	82#

ELECTRICAL ACCESSORIES

MODEL	DESCRIPTION	LIST
CE-220/50S	220V, 1Phase, 50 Hz electrical	\$194

A line chiller wall rack is a shelf that is mounted to a structural wall. The shelf has holes that correspond to the line chiller leg set mounting holes, so the line chiller can be bolted to the shelf.

LCR-GE

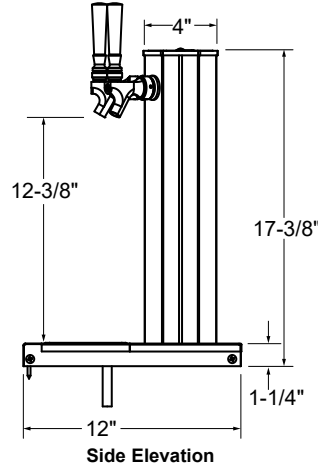


LINE CHILLER WALL RACKS

MODEL	DESCRIPTION	LIST	WT
LCR-SE	Wall rack, stainless steel (BLC-1/3-E)	\$515	33#
LCR-GE	Wall rack, galvanized (BLC-1/3-E)	\$299	33#
LCR-S	Wall rack, stainless steel (BLC-1/3, BLC-1/3-2, BLC-1/2, BLC-1/2-2, BLC-3/4, BLC-3/4-2)	\$581	38#
LCR-G	Wall rack, galvanized (BLC-1/3, BLC-1/3-2, BLC-1/2, BLC-1/2-2, BLC-3/4, BLC-3/4-2)	\$329	38#



CT-3-SS
(handles not included)



PRODUCT INFORMATION

(see CT Spec Sheet for complete details)

STANDARD FEATURES

- All stainless steel construction
- Integrated surface mount drain pan with lift-out perforated inserts
- 1/4" shanks with 3/16" restriction lines
- Available in grainline finish, mirror finish, or brass finish
- Available with cold plate assembly and insulated restriction lines for glycol recirculating system (specify suffix 'R' in the model number)
- Available in 1, 2, and 3 faucet sizes
- All models include all stainless steel faucets and shanks to resist corrosion and prevent metallic leaching, making them ideal for both draft beer and wine applications
- Unique internal support system for solid mounting
- Base plate serves as template for hole cutting

COLUMN TOWERS WITH DRAIN PAN AND 7/2" RESTRICTION LINES

GRAINLINE FINISH		MIRROR FINISH		BRASS FINISH**		FAUCETS	WGT	WIDTH	SYSTEM TYPE
MODEL	LIST	MODEL	LIST	MODEL	LIST				
CT-1-SS	\$723	CT-1-MF	\$869	CT-1-PB*	\$1,347	1	13#	14"	Air Cooled
CT-1-SSR*	\$1,338	CT-1-MFR*	\$1,517	CT-1-PBR*	\$1,802	1	21#	14"	Glycol
CT-2-SS	\$971	CT-2-MF	\$1,116	CT-2-PB*	\$1,606	2	15#	14"	Air Cooled
CT-2-SSR*	\$1,585	CT-2-MFR*	\$1,764	CT-2-PBR*	\$2,064	2	23#	14"	Glycol
CT-3-SS	\$1,218	CT-3-MF	\$1,363	CT-3-PB*	\$1,866	3	18#	14"	Air Cooled
CT-3-SSR*	\$1,833	CT-3-MFR*	\$2,013	CT-3-PBR*	\$2,324	3	26#	14"	Glycol

*NOTE: These Column Towers are manufactured to order and are not returnable

** NOTE: Brass finish towers provided with mirror finish drain pan and brass finish perforated insert



RINSER FAUCET EXTENSION

Column tower drain pans can be manufactured with rinser faucet extensions to the left or right of the drain pan. A rinser faucet extension will add 5" to the overall length of the drain pan. Add the upcharge below when placing your order.

NOTE: Rinser faucets not intended for use with towers mounted to a refrigerator due to risk of water line freeze up.

MODEL	DESCRIPTION	LIST
RFE	Rinser faucet extension	\$479

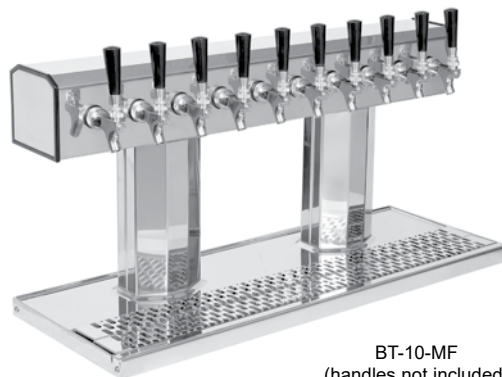
Rinser faucet installation notes:

- Important: Unit must be installed in conformance with applicable federal, state, and local plumbing codes, including adequate backflow when required.
- Must install backflow prevention device conforming to ANSI/ASSE 1022 or ANSI/ASSE 1024 to meet plumbing code (not included).
- Install in-line water regulator (included).
- A separate shut-off valve is recommended (not included).

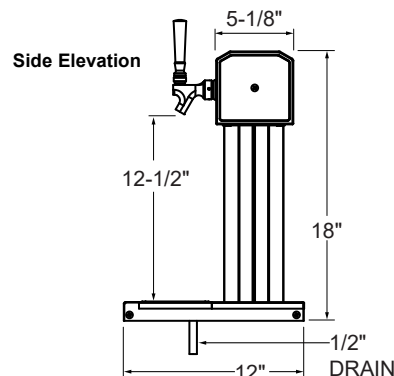
Beverage Dispensing



BT-4-SS
(handles not included)



BT-10-MF
(handles not included)



TEE TOWERS WITH DRAIN PAN 72" RESTRICTION LINES

GRAINLINE FINISH		MIRROR FINISH		BRASS FINISH**		COLUMNS	FAUCETS	WGT	WIDTH	SYSTEMTYPE
MODEL	LIST	MODEL	LIST	MODEL	LIST					
BT-4-SS	\$1,485	BT-4-MF	\$1,626	BT-4-PB*	\$2,190	1	4	23#	14"	Air Cooled
BT-4-SSR	\$1,998	BT-4-MFR	\$2,121	BT-4-PBR*	\$2,672	1	4	31#	14"	Glycol
BT-5-SS	\$1,767	BT-5-MF	\$1,936	BT-5-PB*	\$2,538	1	5	27#	17"	Air Cooled
BT-5-SSR	\$2,370	BT-5-MFR	\$2,521	BT-5-PBR*	\$3,115	1	5	36#	17"	Glycol
BT-6-SS	\$2,049	BT-6-MF	\$2,245	BT-6-PB*	\$2,884	1	6	31#	20"	Air Cooled
BT-6-SSR	\$2,740	BT-6-MFR	\$2,919	BT-6-PBR*	\$3,556	1	6	41#	20"	Glycol
BT-8-SS*	\$2,725	BT-8-MF*	\$2,976	BT-8-PB*	\$3,812	2	8	39#	26"	Air Cooled
BT-8-SSR*	\$3,597	BT-8-MFR*	\$3,830	BT-8-PBR*	\$4,746	2	8	51#	26"	Glycol
BT-10-SS*	\$3,289	BT-10-MF*	\$3,596	BT-10-PB*	\$4,506	2	10	57#	32"	Air Cooled
BT-10-SSR*	\$4,339	BT-10-MFR*	\$4,627	BT-10-PBR*	\$5,439	2	10	71#	32"	Glycol
BT-12-SS*	\$3,853	BT-12-MF*	\$4,215	BT-12-PB*	\$5,199	2	12	65#	38"	Air Cooled
BT-12-SSR*	\$5,085	BT-12-MFR*	\$5,425	BT-12-PBR*	\$6,133	2	12	81#	38"	Glycol

PRODUCT INFORMATION (see BT Spec Sheet for complete details)

STANDARD FEATURES

- All stainless steel construction
- Integrated surface mount drain pan with lift-out perforated inserts
- 1/4" shanks with 3/16" restriction lines
- Available in grainline finish, mirror finish, or brass finish
- Available with cold plate assembly and insulated restriction lines for glycol recirculating system (specify suffix 'R' in the model number)
- Available in 4, 5, 6, 8, 10, and 12 faucet sizes

- All models include all stainless steel faucets and shanks to resist corrosion and prevent metallic leaching, making them ideal for both draft beer and wine applications
- Unique internal support system for solid mounting
- Base plate serves as template for hole cutting

*NOTE: These Tee Towers are manufactured to order and are not returnable

** NOTE: Brass finish towers provided with mirror finish drain pan and brass finish perforated insert

RINSER FAUCET EXTENSION

Tee tower drain pans can be manufactured with rinser faucet extensions to the left or right of the drain pan. A rinser faucet extension will add 5" to the overall length of the drain pan. Add the upcharge below when placing your order.

NOTE: Rinsers are not intended for use with towers mounted to a refrigerator due to risk of water line freeze up.

MODEL	DESCRIPTION	LIST
RFE	Rinsers faucet extension	\$479

Rinsers faucet installation notes:

- Important: Unit must be installed in conformance with applicable federal, state, and local plumbing codes, including adequate backflow when required.
- Must install backflow prevention device conforming to ANSI/ASSE 1022 or ANSI/ASSE 1024 to meet plumbing code (not included).
- Install in-line water regulator (included).
- A separate shut-off valve is recommended (not included).



Beverage Dispensing

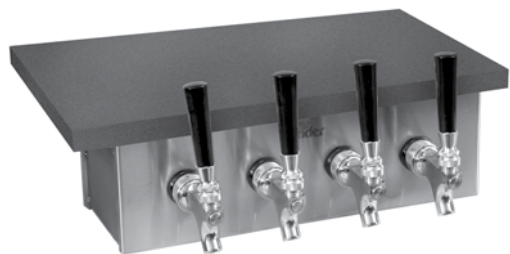
PRODUCT INFORMATION

(see UC Spec Sheet for complete details)

STANDARD FEATURES: All stainless steel construction • 1/4" shanks with 3/16" restriction lines • Includes cold plate assembly and insulated restriction lines for glycol recirculating system • Includes all stainless steel faucets and shanks to resist corrosion and prevent metallic leaching, making them ideal for both draft beer and wine applications

NOTES:

1. Installation of the undercounter tower requires a minimum bar top overhang of 7".
2. Undercounter towers do not include a drain pan. Glastender offers a free standing underbar beer drainer. See model numbers BDA or BDB for the main line (page 51) or C-BD for the Choice line (page 71).
3. The beverage and glycol lines exit the bottom of the tower and are rigid, so the undercounter tower must be installed prior to installing the beer drainer. The 8, 10, and 12 faucet models have two sets of lines exiting the bottom of the tower.



UC-4-SSR
Shown attached to bar
(Handles not included)



UC-5-SSR
Shown installed under bar top
with BDB-18 beer drainer



WT-6-SS
(handles not included)

STAINLESS STEEL UNDERCOUNTER TOWERS

MODEL	LIST	# OF FAUCETS	WT	WIDTH
UC-4-SSR	\$1,947	4	28#	14"
UC-5-SSR	\$2,307	5	30#	17"
UC-6-SSR	\$2,667	6	35#	20"
UC-8-SSR	\$3,494	8	50#	26"
UC-10-SSR	\$4,214	10	65#	32"
UC-12-SSR	\$4,930	12	80#	38"

PRODUCT INFORMATION

(see WT Spec Sheet for complete details)

STANDARD FEATURES: All stainless steel construction • Integrated drain pan with lift-out perforated inserts • 1/4" shanks with 3/16" restriction lines • Available with cold plate assembly and insulated restriction lines for glycol recirculating system (specify suffix 'R' in the model number) • Built-in wall mounting bracket • Removable front cover for access to shanks • Includes all stainless steel faucets and shanks to resist corrosion and prevent metallic leaching, making them ideal for both draft beer and wine applications

STAINLESS STEEL WALL MOUNT TOWERS

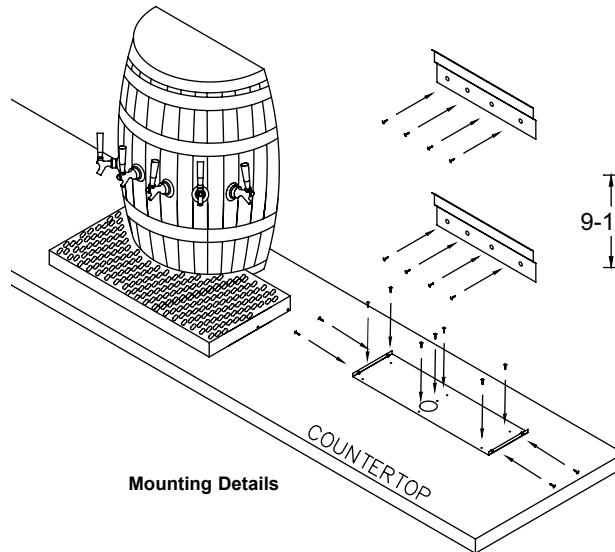
MODEL	LIST	# OF FAUCETS	WT	WIDTH
WT-4-SS	\$1,638	4	23#	14"
WT-4-SSR	\$2,169	4	31#	14"
WT-5-SS	\$1,948	5	27#	17"
WT-5-SSR	\$2,573	5	36#	17"
WT-6-SS	\$2,259	6	31#	20"
WT-6-SSR	\$2,981	6	41#	20"
WT-8-SS	\$2,880	8	39#	26"
WT-8-SSR	\$3,911	8	51#	26"
WT-10-SS	\$3,503	10	57#	32"
WT-10-SSR	\$4,722	10	71#	32"
WT-12-SS	\$4,126	12	65#	38"
WT-12-SSR	\$5,533	12	81#	38"

*NOTE: Undercounter and Wall Mount Towers are manufactured to order and are not returnable

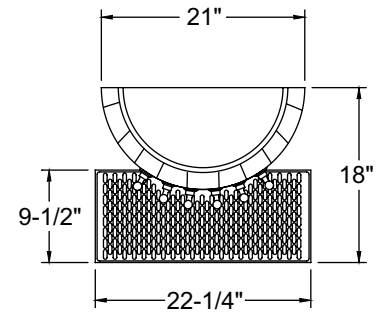
Beverage Dispensing



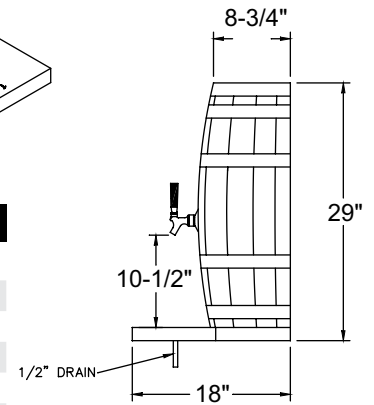
WB-6-B
(handles not included)



Mounting Details



Plan View



Side Elevation

WOOD BARREL TOWERS WITH DRAIN PAN AND 72" RESTRICTION LINES

FLAT BLACK	LIST	NATURAL WOOD	LIST	# OF FAUCETS	WGT
WB-3-B	\$2,720	WB-3-N	\$2,720	3	85#
WB-3-BR	\$3,400	WB-3-NR	\$3,400	3	85#
WB-4-B	\$2,980	WB-4-N	\$2,980	4	90#
WB-4-BR	\$3,661	WB-4-NR	\$3,661	4	90#
WB-5-B	\$3,240	WB-5-N	\$3,240	5	95#
WB-5-BR	\$4,016	WB-5-NR	\$4,016	5	95#
WB-6-B	\$3,500	WB-6-N	\$3,500	6	100#
WB-6-BR	\$4,370	WB-6-NR	\$4,370	6	100#

PRODUCT INFORMATION

(see WB Spec Sheet for complete details)

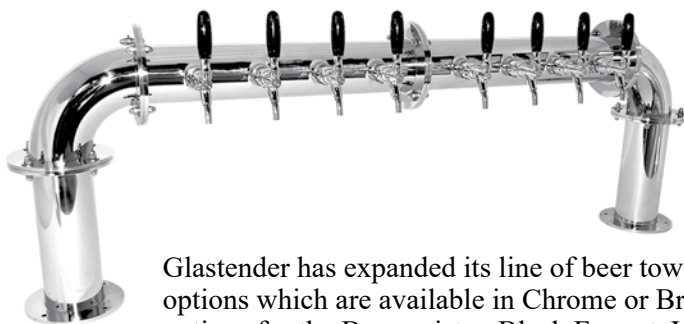
STANDARD FEATURES

- Oak wood barrel construction
- Includes separate 300 series stainless steel surface mount drain pan with lift-out perforated inserts
- 1/4" shanks with 3/16" restriction lines
- Available in flat black or natural unfinished
- Available with cold plate assembly and insulated restriction lines for glycol recirculating system (specify suffix 'R' in the model number)

- Available in three through six faucet models
- Includes wall mounting brackets
- All stainless steel faucets and shanks to resist corrosion and prevent metallic leaching, making them ideal for both draft beer and wine applications

*NOTE: Wood Barrel Towers are manufactured to order and are not returnable

Decorative Draft Beverage Towers



Lions Gate Tower



Cobra Tower



Braumeister Ellipse Tower

Glastender has expanded its line of beer towers to include several new decorative options which are available in Chrome or Brass finishes, as well as 9 different color options for the Braumeister, Black Forrest, Vienna, and Rembrandt lines. The Cobra line is also available as ice forming.

Contact Glastender for additional information including price and availability.

Beverage Dispensing

Glastender manufactures and diverse line of highly configurable kitchen fabrication products providing you with tailor-made solutions.



CAB-D
18" D by 66" L Dish Cabinet with
1" overhang and rounded nosing profile

DISH CABINETS

PRODUCT INFORMATION

(see CAB-D Spec Sheet for complete details)

All stainless steel construction including fixed mid-shelf and reinforcement channels. Available in lengths from 36" to 108" in one-half inch increments. Models 72" and longer have a center mullion.

Top options include: Depth - 15", or 18" • Front overhang - 1/4", 1", or 2" • Nosing profile - flat, or rounded

Base options include: Feet - bullet or flanged

MODULAR BEVERAGE STATIONS

PRODUCT INFORMATION

(see CAB-MBS Spec Sheet for complete details)

Modular beverage stations are configured and manufactured to your specific requirements. A complete lineup is designed by selecting from the top options and then specifying the module types and sizes to mount below the top. Stations ship complete in lengths up to 144".

Top options include: Depth - 24", 30", or 36" • Front overhang - 1/4", 1", or 2" • Nosing profile - flat, marine, or rounded • Backsplash - none, 5", or 10" • Endsplash - none, left, right, or both • Integrally welded drip trough • Electrical outlets in the backsplash

Module options include: Adjustable shelf • Drawer • Drop-in • Empty space • End wall • Fixed shelf • Glass rack • Open storage • Roll-out shelf • Sink • Urn stand



108" L by 30" D CAB-MBS
Modules left to right: drop-in with solid
apron, roll-out shelf, urn stand, and
adjustable shelf with solid door



CAB-WT
30" D by 54" L Work Table Cabinet with
1/4" overhang, flat nosing profile and
hinged doors

WORK TABLE CABINETS

PRODUCT INFORMATION

(see CAB-WT Spec Sheet for complete details)

All stainless steel construction including reinforcement channels. Available in lengths from 18" to 108". Models 63" and longer have a center wall.

Top options include: Depth - 24", 30", or 36" • Front overhang - 1/4", 1", or 2" • Nosing profile - flat, or rounded • Backsplash - none, upturn, 1" deep, or 2-1/4" deep

Base options include: Mid-shelf - none, fixed, or adjustable (models less than 63" long) • Doors - none or hinged • Feet - bullet or flanged



RCK-WS
42" L Wall-Mount
Sorting Rack

WALL-MOUNT SORTING RACKS

PRODUCT INFORMATION

(see RCK-WS Spec Sheet for complete details)
Configurable Wall-Mount Sorting Racks deliver tailor-made solutions. All stainless steel construction.

Options include: Shelf length - 21", 42", 63", or 84"



SHF-PT
24" D by 48" L Pass-
Thru Shelf with rounded
nosing (gusset bracket
not shown)



SHF-W
12" D by 24" L Wall-
Mount Shelf with round-
ed nosing profile

PASS-THRU SHELVES

PRODUCT INFORMATION

(see SHF-PT Spec Sheet for complete details)

Brackets are field mounted and allow for variations in wall thickness. Available in 18" or 24" depths and lengths from 36" to 144" in one-half inch increments. 18" deep units ship with "L" brackets, 24" units ship with gusset brackets.

Top options include: Nosing - flat or rounded • Overshelf - with or without • Overshelf structure - standard or heater mountable • Overshelf height - from 12" to 18"

WALL-MOUNT SHELVES

PRODUCT INFORMATION

(see SHF-W Spec Sheet for complete details)

All stainless steel construction. Units available in lengths from 24" to 144" in one-half inch increments. Units 72" and longer have (3) support brackets.

Top options include: Nosing - flat or rounded • Top depth - from 10", 12", 15" or 18"



SHF-WM
18" D by 24" L Wall-Mount
Microwave Shelf



SHF-WP
12" D by 36" L Wall-Mount Shelf with Pot
Rack and flat nosing profile

WALL-MOUNT MICROWAVE SHELVES

PRODUCT INFORMATION

(see SHF-WM Spec Sheet for complete details)

All stainless steel construction. Available in depths from 18" to 24" and lengths from 24" to 36".

WALL-MOUNT SHELVES W/POT RACK

PRODUCT INFORMATION

(see SHF-WP Spec Sheet for complete details)

All stainless steel construction. Units available in lengths from 24" to 144" in one-half inch increments. Units 72" and longer have (3) support brackets. Each shelf includes (1) double pot hook per foot.

Top options include: Nosing - flat or rounded • Top depth - 10", 12", 15" or 18"



SNK-C
30" D by 102" L
Compartment Sink with
three 18" by 24" by 14"
deep sink bowls and right
and left drainboards.
Faucet not provided.

COMPARTMENT SINKS

PRODUCT INFORMATION

(see SNK-C Spec Sheet for complete details)

One, two, three and four compartment models are available with or without drainboards. All stainless steel, TIG welded construction. Available in depths from 24" to 36" and lengths from 24" to 144" in one-half inch increments.

Top options include: Number of sink bowls - 1, 2, 3, or 4
• Backsplash height - 7" to 13" • Drainboard - none, left, right, or both • Endsplash - none, left, right, or both • Sink bowl depth - 6" to 14"

Base options include: Legs - welded or knock down • Feet - bullet or flanged • Undershelf - welded, adjustable, or removable



SNK-M
24" D by 24" L by 14" H Mop Sink
with 20" by 20" by 10" deep sink bowl

MOP SINKS

PRODUCT INFORMATION

(see SNK-M Spec Sheet for complete details)

All stainless steel, TIG welded construction. Sink bowl depths available from 6" to 14" in one inch increments.



STA-E
30" D by 37" L by 24" H
Equipment Stand with
adjustable undershelf

EQUIPMENT STANDS

PRODUCT INFORMATION

(see STA-E Spec Sheet for complete details)

All stainless steel construction including reinforcement channels. Available in depths from 18" to 36" and lengths from 18" to 96" in one-half inch increments.

Top standards: Flat nosing and 1-1/2" upturn edge on three sides

Base Options include: Undershelf - none, welded, or adjustable • Legs - welded or knock down • Feet - bullet, flanged, or casters • Height - 20" - 30"



STA-M
30" D by 30" L by 24" H
Mixer Stand with welded
undershelf

MIXER STANDS

PRODUCT INFORMATION

(see STA-M Spec Sheet for complete details)

All stainless steel construction including reinforcement channels. Available in depths from 18" to 36" and lengths from 18" to 36" in one-half inch increments.

Top options include: Nosing profile - marine or inverted V

Base options options include: Undershelf - none, welded, or adjustable • Legs - welded or knock down • Feet - bullet, flanged, or casters • Height - 20" - 30"



TAB-CD
30" D by 48" L straight,
right, Clean Dish Table

CLEAN DISH TABLES

PRODUCT INFORMATION

(see TAB-CD Spec Sheet for complete details)

All stainless steel, TIG welded construction.

Top options include: Side - left or right • Style - straight, island, or corner • Endsplash - none, left, or right • Tubular overshelves • Custom notching to match dishwasher model

Base options include: Undersshelf - none, welded, or adjustable • Legs - welded or knock down • Feet - bullet or flanged

SOILED DISH TABLES

PRODUCT INFORMATION

(see TAB-SD Spec Sheet for complete details)

All stainless steel, TIG welded construction.

Top options include: Side - left or right • Style - straight, island, corner, landing, or U-landing • Endsplash - none, left, or right • Tubular overshelves • Disposer cutouts • Scrap basket • Scrap block • Notching to fit dishwasher models

Base options include: Undersshelf - none, welded, or adjustable • Legs - welded or knock down • Feet - bullet or flanged



TAB-SD
30" D by 66" L straight, soiled, left dish table
with 20" by 20" by 6" deep pre-rinse sink with
removable scrap basket



TAB-W
30" D by 72" L Work Table with
welded undershelf, 15" by 20" drawer
and 15" deep tiered overshelves

WORK TABLES

PRODUCT INFORMATION

(see TAB-W Spec Sheet for complete details)

All stainless steel construction including reinforcement channels. Available in depths from 18" to 36" and lengths from 18" to 144" in one-half inch increments.

Top options include: Nosing profile - flat, marine, or rounded • Backsplash - none, upturn, 1" deep, or 2-1/4" deep • Endsplash - none, left, right, or both • Overshelf - none, single, or tiered • Integrally-welded, fabricated sinks • Drop-in cutouts

Base options include: Undersshelf - none, welded, or adjustable • Legs - welded or knock down • Feet - bullet, flanged, or casters • Drawers - none, single, or tiered

All faucets are certified low lead compliant



WH-12



WHS-12



WH-14 with optional wrist handles



WHS-14

12" WIDE

MODEL	LIST	WGT
WH-12 •	\$737	22#
WH-12-LF (less faucet)	\$488	20#

12" WIDE WITH SKIRT

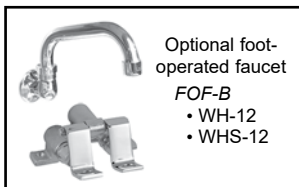
MODEL	LIST	WGT
WHS-12 •	\$918	27#
WHS-12-LF (less faucet)	\$669	25#

14" WIDE

MODEL	LIST	WGT
WH-14	\$707	22#
WH-14-LF (less faucet)	\$485	20#

14" WIDE WITH SKIRT

MODEL	LIST	WGT
WHS-14	\$881	27#
WHS-14-LF (less faucet)	\$659	25#



Optional foot-operated faucet
FOF-B
• WH-12
• WHS-12



WH-14-S



WHS-14-S



WDH-14



WH-14-ESD

14" WITH INTEGRATED SIDE SPLASHES

MODEL	LIST	WGT
WH-14-S	\$1,033	27#
WH-14-S-LF (less faucet)	\$811	25#

14" WITH INTEGRATED SIDE SPLASHES & SKIRT

MODEL	LIST	WGT
WHS-14-S	\$1,219	33#
WHS-14-S-LF (less faucet)	\$997	31#

14" WIDE WITH SOAP & PAPER TOWEL DISPENSERS

MODEL	LIST	WGT
WDH-14	\$1,270	37#
WDH-14-LF (less faucet)	\$1,048	35#

14" EXTENDED SPLASH W/ SOAP & TOWEL DISPENSER

MODEL	LIST	WGT
WH-14-ESD	\$1,138	37#
WH-14-ESD-LF (less faucet)	\$916	35#

PRODUCT INFORMATION

(see WH Spec Sheet for complete details)

STANDARD FEATURES: Manufactured with total welded construction to meet all NSF® standards • All stainless steel construction • 9-1/4" by 11-1/2" by 6" deep sink bowl • Includes wall-mounting bracket • Includes 1-1/2" IPS drain fitting • Heavy-duty faucet is standard (available less faucet by adding the suffix '-LF' to the model number) • Models WH-12, and WHS-12 are available with a foot-operated faucet. Specify accessory number FOF-B. • Left and right side splashes available as an accessory • Models WH-12 and WHS-12 include a special backsplash faucet-mounting bracket for easy removal and inspection of faucet after installation • Models WH-14-S and WHS-14-S include integral left and right side splashes, featuring radius work surface corners for easy cleaning and a front lip to contain splashes • Model WDH-14 includes built-in soap and C-fold paper towel dispensers • Model WH-14-ESD includes a 1" deep recessed work surface with extra tall backsplash to contain splashes, and soap and paper towel dispenser

ACCESSORIES

MODEL	DESCRIPTION	LIST	WGT
LS15	15" deep left end splash	\$118	1#
RS15	15" deep right end splash	\$118	1#
03000512	P-trap, 17 ga. chrome plated steel	\$67	2#
03000511	Wrist handles (set of two)	\$37	2#
03000483	Wet waste sink strainer	\$44	1#
TD-C	Paper towel dispenser, C-fold	\$213	5#
•FOF-B	Convert to foot-operated backsplash faucet for WH-12 and WHS-12 models	\$439	3#

⚠️WARNING: The plastic wet waste strainer included with this product can expose you to chemicals including Bisphenol A (BPA), which is known to the State of California to cause birth defects or other reproductive harm. For more information, go to www.P65Warnings.ca.gov. **Part #03000483**
Warning applies to State of California only.

All faucets are certified low lead compliant



DI-HS12



DI-HS14

DROP-IN HAND SINKS

MODEL	LIST	LENGTH	DEPTH	WGT	FAUCET
DI-HS12	\$582	12"	17"	18#	Yes
DI-HS12-LF	\$360	12"	17"	15#	No
DI-HS14	\$582	14"	15"	18#	Yes
DI-HS14-LF	\$360	14"	15"	15#	No



DI-IS24



DI-IW24

WARNING: The plastic wet waste strainer included with this product can expose you to chemicals including Bisphenol A (BPA), which is known to the State of California to cause birth defects or other reproductive harm. For more information, go to www.P65Warnings.ca.gov. Part #03000483
Warning applies to State of California only.

DROP-IN ICE AND SINK UNITS

MODEL	LIST	L	D	WGT	FAUCET
DI-IS24	\$1,643	24"	19"	55#	Yes
DI-IS24-LF	\$1,421	24"	19"	52#	No

DROP-IN ICE AND WATER STATION UNITS

MODEL	LIST	L	D	WGT	FAUCET
DI-IW24	\$1,793	24"	19"	55#	Yes
DI-IW24-LF	\$1,501	24"	19"	52#	No



DI-IB24-CP10



DI-IB18

DROP-IN ICE BINS

MODEL	LIST	LENGTH	DEPTH	COLD PLATE	WGT	ICE CAPACITY
DI-IB12	\$1,188	14"	19"	No	50#	33#
DI-IB18	\$1,329	20"	19"	No	60#	50#
DI-IB24	\$1,530	26"	19"	No	70#	71#
DI-IB30	\$1,691	32"	19"	No	80#	89#
DI-IB24-CP10	\$2,883	26"	19"	Yes	140#	71#
DI-IB30-CP10	\$3,051	32"	19"	Yes	150#	89#

ACCESSORIES

MODEL	DESCRIPTION	LIST	WGT
03000512	P-trap, 17 ga. chrome plated steel	\$67	2#
03000511	Wrist handles (set of two)	\$37	2#
03000483	Wet waste sink strainer	\$44	1#

Counter Cut-Out Dimensions

DI-IB12 = 17-1/2" by 12-1/2"

DI-IB18 = 17-1/2" by 18-1/2"

DI-IB24 = 17-1/2" by 24-1/2"

DI-IB30 = 17-1/2" by 30-1/2"

All other models, reference spec sheet



C1FU60 with compressor left, 4" casters, stainless doors and top

COOLERS - ONE ZONE, FRONT SERVICED, UNDERCOUNTER*

MODEL	LIST	LENGTH	DOORS	DOOR				CUBICFEET CAPACITY
				OPENING	WEIGHT	AMPS	HP	
C1FU32*	\$4,742	32"	1	16" W	240#	3.0	1/8	4.61
C1FU36*	\$4,804	36"	1	20" W	250#	3.0	1/8	5.76
C1FU52*	\$6,160	52"	2	16" W	340#	7.0	1/4	10.25
C1FU60*	\$6,312	60"	2	20" W	350#	7.0	1/4	12.55
C1FU72*	\$7,437	72"	3	16" W	445#	7.0	1/4	15.89
C1FU84*	\$7,631	84"	3	20" W	460#	7.0	1/4	19.34
C1FU92*	\$8,891	92"	4	16" W	550#	7.0	1/4	21.53
C1FU108*	\$9,132	108"	4	20" W	570#	7.0	1/4	26.13

*NOTE: C1FU coolers are manufactured to order and are not returnable.

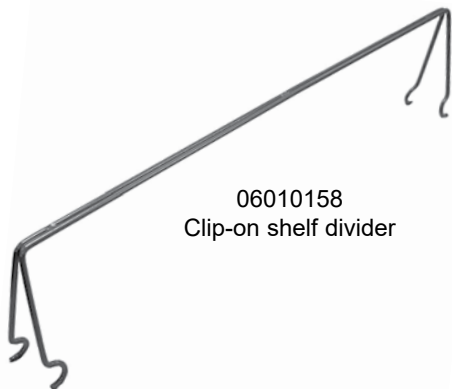
Base price only. See next page for configurable options.

PRODUCT INFORMATION

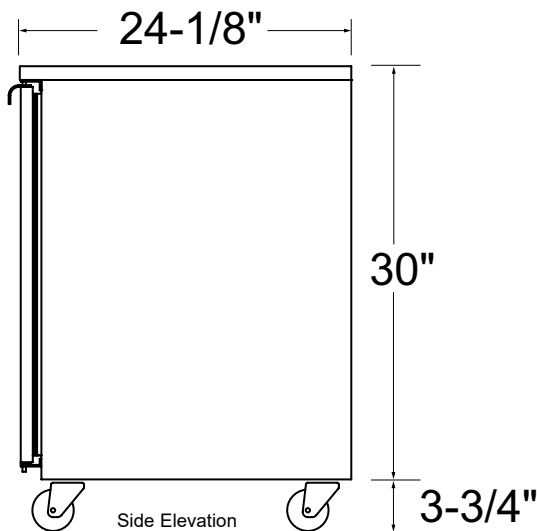
(see C1FU Spec Sheet for complete details)

STANDARD FEATURES:

- Self-contained
- All stainless steel interior construction
- Stainless steel finished top
- Two adjustable coated shelves per door
- Door(s) include stainless steel pull tab handle with lock
- Operating range 34°F (1°C) to 40°F (4°C)
- Listed to NSF Standard 7 for open food as a storage refrigerator



06010158
Clip-on shelf divider



NOTE: 4" casters shown. Also available with 2-1/2" casters or 6" legs.

ACCESSORIES

MODEL	DESCRIPTION	LIST
06010158	Clip-on shelf divider	\$25

*NOTE: C1FU coolers are manufactured to order and are not returnable.

Select Configurable Options:

VOLTAGE

120V/60HZ	No charge
220V/50HZ (export voltage)	\$194

REFRIGERATION COMPARTMENT LOCATION

Left	No charge
Right	No charge

REFRIGERATION COMPARTMENT COVER FINISH

Black vinyl-clad	No charge
Unlaminated	No charge
Stainless steel	No charge
Jeweled stainless steel	\$146
Laminated	\$170

DOOR OPTIONS

NOTE: Select options for EACH Door

STYLE AND FINISH - SPECIFY & ADD FOR EACH SECTION

Door - Black vinyl-clad	No charge
Door - Unlaminated	No charge
Door - Stainless steel	No charge
Door - Jeweled stainless	\$159
Door - Laminated	\$182
Door - Glass, black vinyl-clad	\$352
Door - Glass, stainless steel	\$382
Door - Glass, jeweled stainless	\$511
Door - Glass, laminated	\$534

DOOR HINGE LOCATION - SPECIFY & ADD FOR EACH DOOR

Left	No charge
Right	No charge

LEFT SIDE FINISH

Black vinyl-clad	No charge
Stainless Steel	No charge
Laminated	\$182

RIGHT SIDE FINISH

Black vinyl-clad	No charge
Stainless Steel	No charge
Laminated	\$182

BACK FINISH

	32"	36"	52"	60"	72"	84"	92"	108"
Galvanized steel	No charge							
Stainless steel*	\$246	\$254	\$289	\$306	\$332	\$357	\$375	\$409

*NOTE: Stainless steel back option also includes stainless steel sides.

LED LIGHTING STYLE

Bright white (7,000k), standard	No charge
Warm white (3,500k)	No charge
Amber (2,700k)	No charge
Blue	No charge

LEG AND STAINLESS STEEL KICK RAILS

NOTE: Legs are required if kick rails are ordered.

	32"	36"	52"	60"	72"	84"	92"	108"
6" legs	No charge							
Front kick rail	\$86	\$89	\$102	\$109	\$119	\$128	\$135	\$147
Left side kick rail	\$80	\$80	\$80	\$80	\$80	\$80	\$80	\$80
Right side kick rail	\$80	\$80	\$80	\$80	\$80	\$80	\$80	\$80

CASTERS

	32"	36"	52"	60"	72"	84"	92"	108"
4" casters	No charge							
2-1/2" casters	No charge							



Stainless pull tab handle



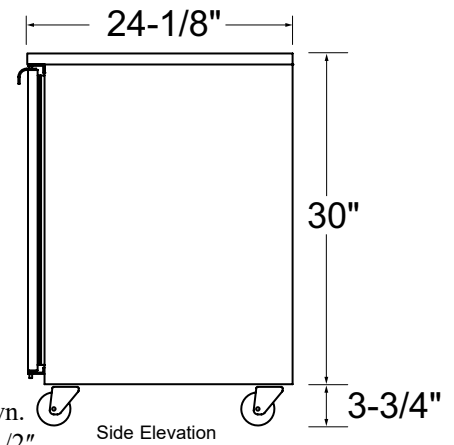
C1SU24 with compressor right, 4" casters, stainless door and top

PRODUCT INFORMATION

(see C1SU Spec Sheet for complete details)

STANDARD FEATURES:

- Self-contained
- All stainless steel interior construction
- Stainless steel finished top
- Models with doors include two adjustable coated shelves per door
- Door(s) include stainless steel pull tab handle with lock
- Operating range 34°F (1°C) to 40°F (4°C)
- Listed to NSF Standard 7 for open food as a storage refrigerator



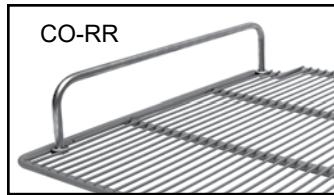
NOTE: 4" casters shown. Also available with 2-1/2" casters or 6" legs.

*NOTE: C1SU28, C1SU36, C1SU44, C1SU48, and all coolers with drawers are manufactured to order and are not returnable.

COOLERS - ONE ZONE, SIDE SERVICED, UNDERBAR

MODEL	LIST	LENGTH	DOORS	DOOR OPENING	WEIGHT	AMPS	HP	CUBIC FEET CAPACITY
C1SU24	\$4,275	24"	1	17.5" W	208#	2.75	1/8	4.76
C1SU28*	\$4,441	28"	1	20" W	231#	2.75	1/8	5.32
C1SU36*	\$5,704	36"	2	12" W	292#	2.75	1/8	7.44
C1SU44*	\$5,953	44"	2	16" W	322#	2.75	1/8	9.77
C1SU48*	\$6,077	48"	2	18" W	335#	2.75	1/8	10.94

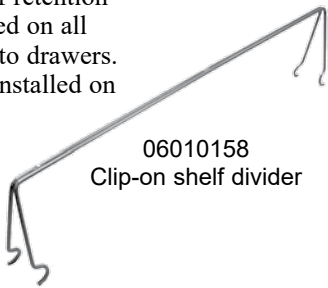
Base price only. See next page for configurable options.



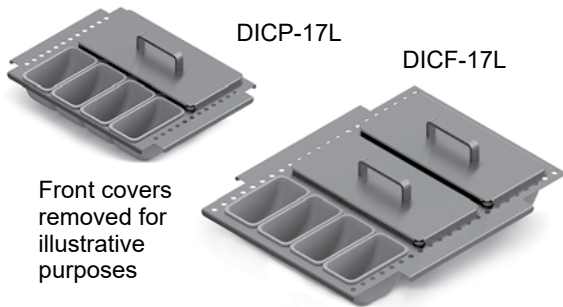
The CO-RR shelf retention rail should be used on all shelves adjacent to drawers. (CO-RR shown installed on shelf)

ACCESSORIES

MODEL	DESCRIPTION	LIST
CO-RR	Shelf retention rail	\$45
DICF-12L	Drawer insert, condiments, full, 12" door opening, low-profile cooler, 6 cups	\$243
DICP-12L	Drawer insert, condiments, partial, 12" door opening, low-profile cooler, 4 cups	\$183
DICF-16L	Drawer insert, condiments, full, 16" door opening, low-profile cooler, 12 cups	\$357
DICP-16L	Drawer insert, condiments, partial, 16" door opening, low-profile cooler, 8 cups	\$259
DICF-17L	Drawer insert, condiments, full, 17.5" door opening, low-profile cooler, 12 cups	\$360
DICP-17L	Drawer insert, condiments, partial, 17.5" door opening, low-profile cooler, 8 cups	\$261
DICF-18L	Drawer insert, condiments, full, 18" door opening, low-profile cooler, 12 cups	\$364
DICP-18L	Drawer insert, condiments, partial, 18" door opening, low-profile cooler, 8 cups	\$263
DICF-20L	Drawer insert, condiments, full, 20" door opening, low-profile cooler, 15 cups	\$421
DICP-20L	Drawer insert, condiments, partial, 20" door opening, low-profile cooler, 10 cups	\$300
DIP-17	Drawer insert for fractional stainless pans, 17.5" door opening (pans not included)	\$162
DIP-18	Drawer insert for fractional stainless pans, 18" door opening (pans not included)	\$166
DIP-20	Drawer insert for fractional stainless pans, 20" door opening (pans not included)	\$181
06010158	Clip-on shelf divider	\$25



06010158
Clip-on shelf divider



Front covers removed for illustrative purposes



DIP-18
Pans not included

Select Configurable Options:

VOLTAGE

120V/60HZ	No charge
220V/50HZ (export voltage)	\$194

REFRIGERATION COMPARTMENT LOCATION

Left	No charge
Right	No charge

REFRIGERATION COMPARTMENT COVER FINISH

Black vinyl-clad	No charge
Stainless steel	No charge
Jeweled stainless steel	\$146

DOOR/DRAWER OPTIONS

NOTE: Select options for EACH Door/Drawer Section

STYLE AND FINISH - SPECIFY & ADD FOR EACH SECTION

Door - Black vinyl-clad	No charge
Door - Unlaminated	No charge
Door - Stainless steel	No charge
Door - Jeweled stainless	\$159
Door - Laminated	\$182
Door - Glass, black vinyl-clad	\$352
Door - Glass, stainless steel	\$382
Door - Glass, jeweled stainless	\$511
Door - Glass, laminated	\$534
Drawers* - Black vinyl-clad	\$1,455
Drawers* - Stainless steel	\$1,455
Drawers* - Jeweled stainless	\$1,614
Drawers* - Laminated	\$1,638

*NOTE: Units with drawers are manufactured to order and are not returnable.

DOOR HINGE LOCATION - SPECIFY & ADD FOR EACH DOOR

Left	No charge
Right	No charge

LEFT SIDE FINISH

Black vinyl-clad	No charge
Stainless Steel	No charge
Laminated	\$182

RIGHT SIDE FINISH

Black vinyl-clad	No charge
Stainless Steel	No charge
Laminated	\$182

BACK FINISH

	24"	28"	36"	44"	48"
Galvanized steel	No charge				
Stainless steel*	\$229	\$237	\$254	\$271	\$281

*NOTE: Stainless steel back option also includes stainless steel sides.

LED LIGHTING STYLE

Bright white (7,000k), standard	No charge
Warm white (3,500k)	No charge
Amber (2,700k)	No charge
Blue	No charge

LEG AND STAINLESS STEEL KICK RAILS

NOTE: Legs are required if kick rails are ordered.

	24"	28"	36"	44"	48"
6" legs	No charge				
Front kick rail	\$80	\$83	\$89	\$95	\$99
Left side kick rail	\$80	\$80	\$80	\$80	\$80
Right side kick rail	\$80	\$80	\$80	\$80	\$80

CASTERS

	24"	28"	36"	44"	48"
4" casters	No charge				
2-1/2" casters	No charge				



Stainless pull tab handle

*NOTE: All coolers with drawers are manufactured to order and are not returnable.

Optional Drawers*

Glastender's refrigerated drawers include adjustable divider walls.
20" wide drawer opening shown



PRODUCT INFORMATION

(see LC Spec Sheet for complete details)

STANDARD FEATURES:

- Self-contained forced air refrigeration system for uniform cooling of product
- Automatic condensate evaporator
- Digital thermostat with automatic defrost
- All stainless steel interior construction
- Stainless steel foamed-in-place insulated door and lettuce chute
- Stainless exterior construction with galvanized back and bottom
- Removable plastic lettuce bin and divider included
- Removable condenser air inlet filter for easy cleaning
- Bracket for wall mounting
- 4" adjustable legs available
- Nine-foot grounded cord & plug provided
- Listed to NSF standard 7 for open food as a storage refrigerator

CAPACITY: Approx. 50 heads of lettuce (shredded)
ELECTRICAL: 120V, 1 phase, 60Hz, 2.5 full load amps. Dedicated 15 amp circuit is required.
REFRIGERATION: 1/8 HP, R290 refrigerant, 1,023 BTU/hr heat rejection
PLUMBING: Automatic condensate evaporator. No drain connection required.



LC-BIN lettuce bin with LC-BDIV bin divider

LETTUCE CRISPER

MODEL	DESCRIPTION	LIST	WGT
LC	24" Lettuce Crisper with plastic bin, stainless bin divider, & wall-mounting bracket	\$4,416	170#

ACCESSORIES

MODEL	DESCRIPTION	LIST	WGT
LC-BIN	Plastic lettuce bin (additional)	\$251	15#
LC-BDIV	Lettuce bin divider, stainless steel (additional)	\$83	5#
LCLS	4" legs with adjustable flanged feet	\$186	5#
CE-220/50S	Convert self-contained unit to 220V/50Hz electrical	\$194	N/A



CM24XS-RR

PRODUCT INFORMATION

(see CM Spec Sheet for complete details)

STANDARD FEATURES: Self-contained forced air refrigeration system for uniform cooling of product • Automatic condensate evaporator • Digital thermostat with automatic defrost • All stainless steel interior construction • Stainless steel exterior construction with galvanized steel bottom • Removable condenser air inlet filter for easy cleaning • Nine-foot grounded cord & plug provided • Available with stainless steel door or glass door with stainless steel frame • Two adjustable coated shelves • Interior LED light included • Listed to NSF standard 7 for open food as a storage refrigerator

CAPACITY: 4.7 cu. ft.

ELECTRICAL: 120V, 1 phase, 60Hz, 2.5 full load amps. Dedicated 15 amp circuit is required

REFRIGERATION: 1/8 HP, R290 refrigerant

PLUMBING: Automatic condensate evaporator. No drain connection required.

COUNTERTOP MERCHANDISER

Standard List = \$4,739

Weight = 190#

CM24 -

Door Style:

SS = Stainless Front and Back Door

SX = Stainless Front and Glass Back Door - Add \$353

XS = Glass Front and Stainless Back Door - Add \$353

XX = Glass Front and Glass Back Door - Add \$706

Rear Door Hinge Location:

L = Left or R = Right

Front Door Hinge Location:

L = Left or R = Right

ACCESSORIES

MODEL	DESCRIPTION	LIST	WGT
LCLS	4" legs with adjustable flanged feet	\$186	5#
CE-220/50S	Convert self-contained unit to 220V/50Hz electrical	\$194	N/A

Wall-Mount Refrigerators



WMR24S-R

PRODUCT INFORMATION

(see WMR Spec Sheet for complete details)

STANDARD FEATURES: Self-contained forced air refrigeration system for uniform cooling of product • Automatic condensate evaporator • Digital thermostat with automatic defrost • All stainless steel interior construction • Stainless exterior construction with galvanized back and bottom • Available with stainless steel door or glass door with stainless steel frame • Two adjustable coated shelves • Removable condenser air inlet filter for easy cleaning • Bracket for wall mounting • Nine-foot grounded cord & plug provided • Interior LED light included • Listed to NSF standard 7 for open food as a storage refrigerator

CAPACITY: 3.9 cu. ft.

ELECTRICAL: 120V, 1 phase, 60Hz, 2.5 full load amps. Dedicated 15 amp circuit is required.

REFRIGERATION: 1/8 HP, R290 refrigerant

PLUMBING: Automatic condensate evaporator. No drain connection required.

WALL-MOUNT REFRIGERATORS

MODEL	LIST	DOOR STYLES	HINGE	WGT
WMR24S-L	\$4,112	Stainless	Left	165#
WMR24S-R	\$4,112	Stainless	Right	165#
WMR24X-L	\$4,465	Glass	Left	165#
WMR24X-R	\$4,465	Glass	Right	165#

ACCESSORIES

MODEL	DESCRIPTION	LIST	WGT
LCLS	4" legs with adjustable flanged feet	\$186	5#
CE-220/50S	Convert self-contained unit to 220V/50Hz electrical	\$194	N/A

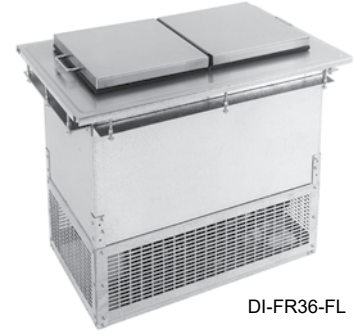
All faucets are certified low lead compliant



DI-FR-DW



DI-FR36



DI-FR36-FL

DROP-IN ICE CREAM FREEZERS

MODEL	LIST	DIPPER WELL	WGT
DI-FR	\$2,807	No	115#
DI-FR-DW	\$3,407	Yes	120#
DI-FR36	\$3,409	No	135#
DI-FR36-DW	\$4,009	Yes	150#

DROP-IN ICE CREAM FREEZERS WITH FLIP LID

MODEL	LIST	DIPPER WELL	WGT
DI-FR36-FL	\$3,491	No	135#
DI-FR36-DW-FL	\$4,092	Yes	150#

ACCESSORIES

MODEL	DESCRIPTION	LIST
CE-220/50S	Convert self-contained unit to 220V/50Hz electrical	\$194

PRODUCT INFORMATION

(see DI-FR Spec Sheet for complete details)
STANDARD FEATURES: Stainless steel work surface, interior liner, and lid with galvanized steel exterior wrap • Foamed-in-place insulation • Available with built-in seamless welded 6" diameter draining dipper well and faucet • Eight-foot grounded cord and plug provided • Available sizes for one or two 3-gallon container capacity • Includes special angle brackets, U-channels, and mounting bolts for easy installation
ELECTRICAL: 120V, 1 phase, 60 Hz, 3.5 full load amps • Dedicated 15 amp circuit is recommended • Includes 8-foot grounded cord and plug
REFRIGERATION: Operating range -5°F to 10°F • 1/4 HP, 0.06 Ton, R290 100g (3.53 oz) refrigerant
CAPACITY: DI-FR models hold one 3-gallon container • DI-FR36 models hold two 3-gallon containers

Mobile Ice Cream Freezer*

PRODUCT INFORMATION

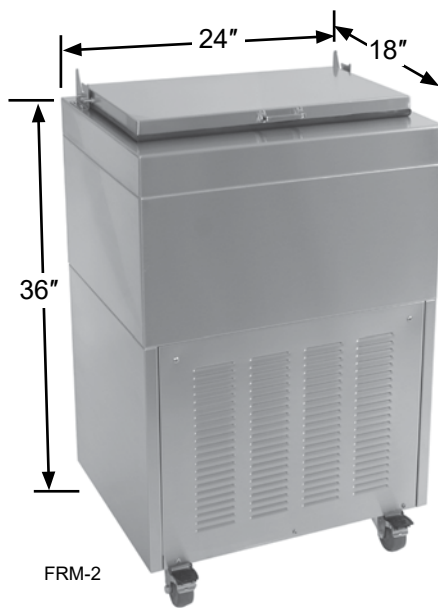
(see FRM Spec Sheet for complete details)

STANDARD FEATURES: All stainless steel exterior with 16 gauge galvanized exterior bottom • Completely integrated design - not just a cabinet with separate drop-in module • All stainless steel interior liner with radius corners for easy cleaning • One-piece, seamless top • 36" high work surface • Includes four 3" casters, with two locking casters • Eight-foot grounded cord and plug provided, exits at rear • Designed to accommodate outlet behind unit and still sit flush against the wall • Holds two 3-gallon containers

CAPACITY: Two 3-gallon tubs

ELECTRICAL: 120V, 1 phase, 60Hz, 3.5 full load amps. Dedicated 15 amp circuit is required.

REFRIGERATION: 1/4 HP, 0.06 Ton, R290 100g (3.53 oz) refrigerant



FRM-2

MOBILE ICE CREAM FREEZER

MODEL	CAPACITY	LIST	LENGTH	DEPTH	WEIGHT
FRM-2	Two 3-gallon tubs	\$4,533	24"	18"	150#

ACCESSORIES

MODEL	DESCRIPTION	LIST
CE-220/50S	Convert self-contained unit to 220V/50Hz electrical	\$194

*NOTE: Mobile Ice Cream Freezers are manufactured to order and are not returnable



MIB-36



MIB-36-H



MIB-36-ED

30" HIGH MOBILE ICE BATHS

MODEL	LENGTH	LIST	WGT
MIB-36	36"	\$3,249	170#
MIB-48	48"	\$3,621	205#

36" HIGH MOBILE ICE BATHS

MODEL	LENGTH	LIST	WGT
MIB-36-H	36"	\$3,318	180#
MIB-48-H	48"	\$3,786	215#

36" HIGH EXTRA DEEP MOBILE ICE BATHS

MODEL	LENGTH	LIST	WGT
MIB-36-ED	36"	\$3,532	200#
MIB-48-ED	48"	\$3,944	235#

MOBILE ICE BIN ACCESSORIES

MODEL	DESCRIPTION	LIST	WGT
TR	Towel Ring	\$15	1#
BO/CC-M	Bottle opener and cap catcher	\$67	3#



TR

Standard mounting for towel rings is server side left. Standard mounting for bottle opener/cap catcher is server side right. Please specify when ordering if you would like these items mounted in a different location.

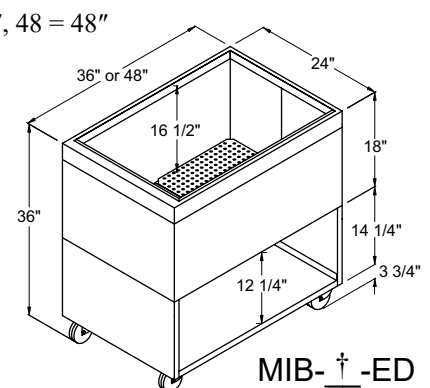
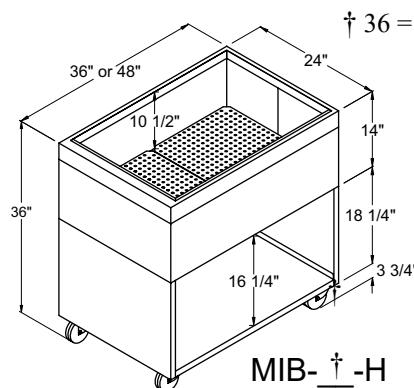
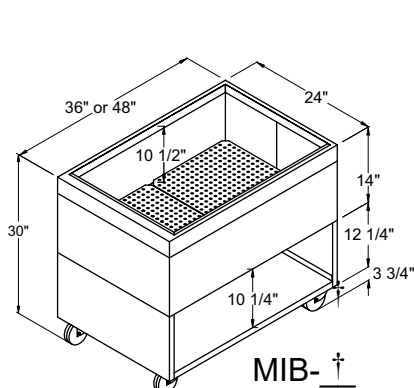
PRODUCT INFORMATION

(see MIB Spec Sheet for complete details)

STANDARD FEATURES

- Designed for iced product storage and merchandising, especially long neck bottled beer
- Foamed-in-place insulated cabinet and PVC breaker strip around liner prevents exterior condensation
- Heavy duty construction with attractive black vinyl-clad exterior that resists scratching
- Stainless steel top, liner, and perforated drain pan inserts with 1/4" radius interior corners for easy cleaning
- Built-in storage area below ice bin. Stainless steel floor has 1/4" radius corners for easy cleaning.
- No plumbing required. Includes a flexible drain line with on/off valve for draining when most convenient.
- The standard models have a 30" work height
- The '-H' models feature a taller cabinet base and a 36" work height
- The '-ED' models feature an extra deep bath and a 36" work height
- Standard and -H models liner depth 10-1/2"
- -ED model liner depth 16-1/2"
- All models available in lengths of 36" or 48"
- Optional towel ring and bottle opener/cap catcher available
- Flexible drain line with on/off valve
- 3" rubberized casters, with two locking casters on server side

*NOTE: Mobile Ice Baths are manufactured to order and are not returnable



† 36 = 36", 48 = 48"



The IB-14x22 as a food pan holder (pan not included)



The IB-14x22 as a portable ice display unit

*NOTE: The IB-14x22 is manufactured to order and is not returnable

PRODUCT INFORMATION

(see IB-14x22 Spec Sheet for complete details)

STANDARD FEATURES

The IB-14x22 is an all stainless steel, foam-in-place insulated, portable ice bin that sits on a countertop • The exterior dimensions are 14" by 22" by 10" high and the interior liner opening is sized to hold one food pan • The IB-14x22 also works well as a countertop ice display unit and does not need to be used with a steam table pan • Since the IB-14x22 is portable, it does not have a drain

ICE PAN HOLDER*

MODEL	LIST	WEIGHT
IB-14x22	\$1,352	35#



IBM-18x30



IBM-18x30-E

PRODUCT INFORMATION

(see IBM Spec Sheet for complete details)

STANDARD FEATURES

The IBM-18x30 is an all stainless steel, foam-in-place insulated, mobile ice bin that is 18" by 30" by 30" high • The interior liner is 10-1/2" deep • A drain valve is provided for draining melted ice water • The IBM-18x30 works well as an ice bath for bottled beer or wine • Also available with enclosed base. Add suffix "-E" to model number

MOBILE ICE BIN

MODEL	LIST	WEIGHT
IBM-18x30	\$2,362	100#
IBM-18x30-E	\$2,521	100#

Wall Cabinets



WCH48



WCH36

WALL CABINETS

OPEN FRONT	LIST	HINGED DOORS	LIST	LENGTH	WGT
WCO24	\$1,206	WCH24	\$1,948	24"	100#
WCO30	\$1,356	WCH30	\$2,432	30"	120#
WCO36	\$1,492	WCH36	\$2,682	36"	140#
WCO42	\$1,629	WCH42	\$2,917	42"	160#
WCO48	\$1,766	WCH48	\$3,152	48"	180#
WCO60	\$2,708	WCH60	\$4,865	60"	220#
WCO72	\$2,984	WCH72	\$5,365	72"	250#
WCO96	\$3,534	WCH96	\$6,302	96"	310#

PRODUCT INFORMATION

(see WC Spec Sheet for complete details)

STANDARD FEATURES: Includes intermediate shelf • Includes wall-mounting bracket • Available with open front or with hinged doors • Door models include door locks and positive latch catch • Door models 24" - 48" have 2 doors, 60" - 96" have 4 doors • Sloping top creates sanitary surface • Four door models ship as two units and include hardware for field assembly

Index

A

Add-on cabinet bases36
All-in-one stations..... 49-50

B

Back bar
Coolers*.....75-85, 87-114, 135-138
*See Coolers for complete cooler listings
Dry storage 119-120
Glass storage.....121
Liquor display.....121
Backsplash, glasswasher.....4
Bar die, modular.....52, 74
Bar, Portable..... 17-18
Bar Profile Coolers (see Coolers)
Beer
Accessories for cooler86
Cooler (see Coolers)
Drainer, underbar.....51, 71
Line chiller 123-124
Towers 125-128
Towers, decorative.....128
Beverage Stations, Modular.....129
Blender stations
Bolt-on blender shelves.....14, 28, 59
Drainboard.....27
Filler board59
In-counter28
Island Oasis® stand.....46, 71
Rinsers faucet.....27
Sink.....27, 59
Sink and rinsers faucet.....27
Bolt-on blender shelves.....14, 28, 59
Bottle
Coolers..... (see Coolers)
Opener and Cap Catcher.....113, 142
Racks25, 54
Wells.....25, 54
Bottle Disintegration System 1-2

C

Cabinets
Add-on base.....36
Back bar, dry storage 119-120
Dish129
Drainboard..... 34-35, 65
POS.....36, 70
Underbar..... 34-36, 65, 67
Wall.....143
Work Table129
Cap Catcher and Bottle Opener 113, 142
Casino Style Combo Ice Bin.....22
CHOICE by Glastender Underbar 53-74
Clean Dish Tables132
Clip-on
Chemical rail (glasswasher)6
Condiment dispenser12, 16
Dry waste (cocktail station).....12, 14, 16
Dry waste rail47, 72
Shelf divider ..75, 77, 79, 81, 83, 89, 91,
.....93, 95, 97, 99, 101, 135, 137
Speed rails14, 16, 26
Wet waste (glasswasher).....4, 8
Cocktail stations
Pass-thru 9-16
Underbar 49-50
Combo Ice Bins.....21, 55
Compartment Sinks - kitchen.....131
Compartment Sinks - underbar39, 69
Condensing units and installation kits
Remote units.....79, 89, 93, 99, 103, 123
Condensing unit storage cabinet122

Condiment dispenser
Pass-thru station12, 16, 20
Underbar21, 22, 54, 55, 56
Condiment drawer insert.....75, 81, 95, 137
Cooler miscellaneous122
Coolers75-85, 87-114, 135-138
Bar profile.....75-76, 77-78, 79-80,
.....81-82, 83-84, 85, 87-88, 89-90,
.....97-98, 99-100, 105-106, 109-110
Countertop merchandiser140
Draft beverage compatible 75-76,
.....77-78, 79-80, 81-82, 83-84, 85
Drawers 75-76, 77-78, 81-82, 83-84,
95-96, 105-106, 109-110, 111-112, 137-138
Front serviced75-76, 77-78, 87-88,
.....91-92, 97-98, 101-102,
.....105-106, 107-108, 135-136
Keg (see Draft beverage compatible)
Lettuce crisper139
Low profile91-92, 93-94, 95-96,
.....101-102, 103-104, 107-108, 111-112
Mug froster, reach-in. 105-106, 107-108,
.....109-110, 111-112
Mug froster, slide top114
One zone.....75-76, 79-80, 81-82,
.....87-88, 89-90, 91-92, 93-94, 95-96,
.....97-98, 99-100, 101-102, 103-104,
.....105-106, 107-108, 109-110, 111-112,
.....135-136, 137-138
Pass-thru .97-98, 99-100, 101-102, 103-104
Remote.....79-80, 89-90, 93-94,
.....99-100, 103-104
Shallow depth.....87-88, 89-90
Side serviced.....81-82, 83-84, 95-96,
.....109-110, 111-112, 137-138
Slide top113
Two zone77-78, 83-84
Undercounter 135-136, 137-138
Wall mount refrigerator140
Corner drainboards..... 31-32, 62-63
Countertop Merchandiser.....140
Covers
Back bar liquor display, locking.....121
Speed rails, locking26, 73

D

Decorative beer towers128
Direct draw beverage towers and acc86
Dish Cabinet.....129
Dish Tables
Clean.....132
Soiled.....132
Dish rack6
Double speed rails.....26, 73
Drain pans, drop-in44
Draft beverage compatible coolers
..... (see Coolers)
Drainboards
Blender stations27
Cabinets 34-35, 65
Corners 31-32, 62-63
Drawer units35
Glassracks4, 33, 64
Half cabinets.....35
Recessed30, 60
Underbar29, 61
Drainers, beer51, 71
Drawer inserts for fractional stainless pans ...
.....81, 95, 105, 109, 137
Drawer units, drainboard35
Drawers, cooler (see Coolers)

Drink Rails44
Drop-in43
Mixology, drop-in.....42
Drop-in
Drain pans.....44
Drink rails43
Hand sinks134
Ice and sink units134
Ice and water stations134
Ice bins134
Ice cream freezers141
Mixology drink rails42
Mixology wells42
Rinsers faucets43
Dry storage cabinets..... 119-120
Dry waste
Chutes47, 72
Clip-on, receptacle for pass-thru
.....12, 14, 16
Rail37, 39, 47, 72
Receptacle4, 47, 67, 72

E

Equipment Stands
Blender stations 27-28, 59
Island Oasis46, 71
Margarita Machine119
POS cabinet36, 70
Stands - Kitchen131
End splash28, 37, 40, 133

F

Filler boards (see also Drainboards)
Blender station.....59
Corner63
Drainboard cabinets.....34-35 (see note)
Drainboard drawer units....35 (see note)
Underbar.....29 (see note), 60
Four compartment sinks.....39, 69
Freezer, ice cream48
Drop-in, ice cream141
Mobile, ice cream141
Front serviced coolers (see Coolers)
Frosters (chillers)
Reach-in..... 105-106, 107-108,
.....109-110, 111-112
Slide top.....114

G

Glass ice display units.....115
Glass storage, back bar121
Glass washing station.....4
Glassracks
Drainboard.....4, 33, 64
Holders (glasswasher)6
Racks6
Underbar, open33, 64
Glasswashers
Rotary 3-6
Rotary rack 7-8
Graphic wraps, portable bar18

H

Half cabinets, drainboard35
Hand sinks
Drop-in134
Underbar 37-38
Wall-mount133

Index

- I**
Ice and sink units, drop-in.....134
Ice and water stations, drop-in.....134
Ice baths, mobile.....142
Ice bins
 Casino Style Combo.....22
 Combo.....21, 55
 Dividers.....12, 16, 20, 21, 54, 55, 56
 Drop-in.....134
 Extra deep.....19, 21, 54, 55
 Ice and sink units.....134
 Ice and water stations.....134
 Mobile.....143
 Pass thru.....20, 56
 Specialty.....143
 Tubing chase.....20, 21, 49
 Underbar.....19, 21, 22, 53, 54, 55
Ice cream freezer
 Drop-in.....141
 Mobile.....141
 Underbar.....48
Ice display units.....116
Ice pan holder.....143
In-counter blender stations.....28
Island Oasis® stand.....46, 71
- J**
Jockey box.....(see Ice bins)
- K**
Keg coolers.....(see Coolers - Draft beverage compatible)
Kitchen Fabrication and Refrigeration.....129-143
- L**
Large wet waste strainer.....39, 69
Lettuce crisper.....139
Lighted liquor displays.....117-118
Line chiller
 Beer.....123-124
 Stands.....124
 Wall racks.....124
Liquor displays
 Back bar.....121
 Lighted.....117-118
 Slanted.....46
Liquor Steps.....45, 70
Locking covers
 Back bar liquor display.....121
 Speed rail.....26, 73
Low profile coolers.....(see Coolers)
Low profile dry storage cabinets.....119
- M**
Margarita Machine Stand.....119
Microwave Shelves, Wall-Mount.....130
Mixer Stands.....131
Mixology
 Bottle rack.....25
 Drink rails, drop-in.....42
 Stations.....41
 Units.....40, 68
 Wells, drop-in.....42
Mobile ice bath.....142
Mobile ice bin.....143
Mobile ice cream freezer.....141
Modular bar die.....52, 74
Modular Beverage Stations.....129
Mop Sinks.....131
- Mug frosters (chillers)
 Reach-in.....105-106, 107-108, 109-110, 111-112
 Slide top.....114
Multiple bowl sinks.....39, 69
- O**
One zone coolers.....(see Coolers)
Overshelves, cocktail stations.....12, 14, 16
- P**
POS cabinet stand.....36, 70
Paper towel dispenser, sink.....37, 38, 66, 133
Pass-thru cocktail stations.....9-16
Pass-thru coolers.....(see Coolers)
Pass-thru ice bins.....20, 56
Pass-thru shelves.....130
Portable bars.....17-18
Portable bars graphic wraps.....18
Pot Rack - Wall-Mount Shelves.....130
Power pack, beer.....123-124
- R**
Rack divider, glasswasher.....4
Rack, pot.....130
Rack, sorting.....130
Reach-in mug froster.....105-106, 107-108, 109-110, 111-112
Recessed drainboards.....30, 60
Refrigerated Wine Drawers.....(see Coolers)
Register stand, underbar, POS.....36, 70
Regulators.....86
Remote coolers.....(see Coolers)
Rinser faucet
 Blender station.....27
 Drop-in.....43
 Mixology stations.....41
 Mixology units.....40, 68
 Undercounter mount.....43
Rinser faucet extension (beer tower).....125, 126
Rotary Wine Shelf.....75, 77, 95
- S**
Shallow depth coolers.....(see Coolers)
Shelf divider, clip-on.....75, 77, 79, 81, 83, 89, 91, 93, 95, 97, 99, 101, 135, 137
Shelf retention rail.....75, 77, 79, 81, 93, 137
Shelves
 Pass-Thru.....130
 Wall-Mount.....130
 Wall-Mount Microwave.....130
 Wall-Mount with Pot Rack.....130
Side splash.....28, 59, 60, 61, 64, 65, 66, 67, 68, 69
Single speed rails.....26, 73
Sinks
 Blender station.....27, 59
 Covers.....39, 69
 Cabinets.....4, 38, 67
 Compartment (kitchen).....131
 Compartment (underbar).....39, 69
 Drop-in.....134
 Hand.....37-38, 66
 Mop.....131
 Single bowl.....37-38, 66
 Towel ring.....37, 39, 59, 66, 67, 69
 Wall-mount.....133
 Wet waste.....4, 37, 38, 66
 Wet waste strainer.....37, 59, 66, 67, 127, 128
Slanted liquor display.....46
Slide top coolers.....113
Slide top mug frosters.....114
Slim Jim trash receptacle.....47, 72
- Sneeze guard.....12, 16
Soap dispenser, liquid.....37, 66
Soda gun holders.....23, 57
Soda gun holder, undercounter mount.....24, 58
Soda manifold housings.....24, 58
Soiled Dish Tables.....132
Sorting Rack, Wall-Mount.....130
Spec sheets.....specs.glastender.com
Specialty ice bins.....143
Speed rails
 Clip-on.....14, 16, 26
 Double.....26, 73
 Locking covers.....26, 73
 Single.....26, 73
Stemware
 Insert.....6
 Rack.....8
- T**
Three compartment sinks.....39, 69
Towel ring.....28, 37, 39, 59, 66, 67, 69
Towers, beer
 Column.....125
 Decorative.....128
 Rinse faucet extension.....127, 126
 Tee.....126
 Undercounter.....127
 Wall mount.....127
 Wood barrel.....128
Trash receptacle
 Gray plastic.....4, 37, 47, 66, 67
 Slim Jim.....47, 72
 Stainless steel.....37, 47, 66, 67
Tubing chase
 Accessory, drainboard.....29
 All-in-one.....49
 Ice bin.....20, 21
 Underbar.....51, 58
Two compartment sinks.....39, 69
Two zone cooler.....(see Coolers)
- U**
Under cabinet (Add-on cabinet base).....36
Underbar - Choice by Glastender.....53-74
Underbar compartment sinks.....39, 69
Underbar ice cream freezer.....48
Undercounter mount soda gun holder.....24, 58
Undercounter mount rinsing faucet.....43
Undercounter Refrigerator.....135-136, 137-138
- W**
Wait Stations.....48
Wall Cabinet.....143
Wall-Mount Hand Sinks.....133
Wall-Mount Microwave Shelves.....130
Wall-Mount Refrigerators.....140
Wall-Mount Shelves.....130
Wall-Mount Shelves with Pot Rack.....130
Wall-Mount Sorting Rack.....130
Wet waste
 Clip-on for glasswasher.....4, 8
 Sinks.....4, 37, 38, 66
 Strainer.....37, 59, 66, 67, 133, 134
Wine accessories for cooler.....86
Wine rack shelves.....75, 77, 79, 81, 83, 89, 91, 93, 95, 97, 99, 101
Wine storage
 Refrigerated drawers.....(see Coolers)
 Rotary shelf.....75, 77, 95
Work Table Cabinets.....129
Work Tables.....132
Wrist Handles.....37, 66, 67, 133, 134

Warranty

APPLICABLE TO ALL PRODUCTS SOLD WITHIN THE UNITED STATES AND CANADA

Glastender, Inc. warrants all products to be free of defects in material and workmanship. One-year labor and parts warranty applies to all glasswashers, self-contained refrigeration models, and BDS model bottle disintegration units. In established areas, a start up is included with GT-24 and GT-30 model glasswashers. Warranty is effective for one year from the date of installation or up to 18 months from date of factory shipment, whichever occurs sooner. Glastender, Inc. will replace any part or assembly found defective under normal use and service.

For warranty labor claims beyond 15 months from the date of factory shipment, proof of date of installation or occupancy must be provided. Authorization for labor must be obtained from Glastender within the warranty period and prior to the service being performed.

Labor warranty applies to the 50 states of the USA and Canada only.

Remote refrigeration models and beer line chillers include a one-year parts warranty only. There is no labor warranty on these products.

Field replacement parts not covered under the original warranty include a 90-day part warranty from the date of installation.

FOUR YEAR ADDITIONAL COMPRESSOR WARRANTY: Glastender will warrant to the original user the compressor for all self-contained refrigeration models for an additional four years following the regular one-year warranty period. This plan applies to the compressor only.

A completed warranty claim form **MUST** accompany all returned defective parts or assemblies. Upon request, a defective part or assembly must be returned to Glastender, Inc., Saginaw, Michigan, with all transportation and delivery charges prepaid. Warranty repairs or replacements will be shipped FOB factory in Saginaw, Michigan. Reimbursement for applicable freight charges covers ground service only.

Glastender provides in-warranty repairs during a service company's regular working days and hours. There is no provision for payment of a premium rate during "overtime" hours. When warranty service is requested during other than normal working hours, the end user will be charged the premium portion of the overtime rate.

The warranty covers substantiated travel expenses for up to 2 hours / 100 miles round trip up to a maximum of \$150. Any additional costs due to installations that require extra work, time, or travel to gain access for service are the sole responsibility of the equipment purchaser. Any exceptions to these travel and access limitations must be pre-approved by a factory representative.

The warranty does not cover door gaskets, chemical tubing, pump squeeze tubing, and/or any equipment subjected to accidents, freight damage, alterations from the original design, improper power and/or plumbing hookups, improper chemical use, general misuse, or lack of routine required maintenance as determined by Glastender, Inc. Installation, normal control adjustments, general maintenance, correcting an installation error, or service calls that reveal the unit is functioning normally will not be reimbursed under warranty.

Condenser coils on self-contained refrigeration products must be cleaned regularly. Failure to provide adequate air flow to a refrigeration unit will void the warranty.

Glastender shall not be liable for loss of use, revenue, or profit, or for any other indirect, incidental, special, or consequential damage including, but not limited to, product spoilage or loss.

This warranty is conditioned upon Glastender receiving notice of any defect subject to this warranty within sixty (60) days of its discovery by the end user or dealer. All products are warranted only for the initial place of installation. Removal of a product automatically terminates this warranty.

SECOND YEAR EXTENDED PARTS & LABOR WARRANTY:

Glastender's one-year parts and labor warranty on self-contained refrigeration units, excluding beer line chillers, can be extended to two years with the purchase of a two year parts and labor warranty. Specify part number EWR2 (\$150 net price) when ordering.

EXPORT WARRANTY - One year parts only.

EXCLUSION OF WARRANTIES

EXCEPT AS PROVIDED ABOVE, GLASTENDER MAKES NO WARRANTIES, EXPRESS OR IMPLIED, INCLUDING, BUT NOT LIMITED TO, ANY IMPLIED WARRANTY OF MERCHANTABILITY, FITNESS FOR A PARTICULAR PURPOSE OR NON-INFRINGEMENT.

LIMITATION OF REMEDIES AND DAMAGES

If Buyer makes a valid and timely claim as outlined above, Glastender's liability and Buyer's remedies under this agreement will be limited solely to labor charges authorized and/or replacement or credit, at Glastender's option, with respect to Products returned at Buyer's expense within thirty (30) days after warranty repair. GLASTENDER'S LIABILITY WILL IN NO EVENT BE GREATER IN AMOUNT THAN THE PURCHASE PRICE OF THE RETURNED PRODUCTS. GLASTENDER WILL NOT BE LIABLE UNDER ANY CIRCUMSTANCE FOR CONSEQUENTIAL OR INCIDENTAL DAMAGES, INCLUDING, BUT NOT LIMITED TO, LABOR COSTS EXCEPT AS COVERED UNDER OUR WARRANTY, LOST PROFITS OR THE LOSS OF PERISHABLE PRODUCTS RESULTING FROM THE USE OF OR INABILITY TO USE OUR PRODUCTS OR FROM OUR PRODUCTS' INCORPORATION INTO OR BECOMING A COMPONENT OF ANY OTHER PRODUCT. NEITHER PARTY WILL HAVE ANY NEGLIGENCE OR OTHER TORT LIABILITY TO THE OTHER, OR TO ANY THIRD PARTY, ARISING FROM ANY BREACH OF THIS AGREEMENT.

GOVERNING LAW - JURISDICTION

The terms and conditions of an order are to be governed and construed according to the laws of the State of Michigan, without regard to conflict of laws principles. Buyer hereby consents to the jurisdiction and venue of the courts located in Saginaw County, Michigan.

No representative, distributor, dealer, or any other person is authorized to modify this warranty. This warranty replaces all other written or verbal warranties.

NOTE: Glastender, Inc.'s policy of constant quality improvement means that prices, specifications, and policies are subject to change without notice. Questions regarding this warranty should be directed to Glastender's Warranty Administrator.

08-27-19

IMPORTANT!!

Attention Service Companies

Please review the important warranty information on this page. If you believe a service call should be covered by the factory, please call the factory for authorization between 8AM and 5PM EST, Monday through Friday.

A FAMILY COMPANY MANUFACTURING IN THE USA SINCE 1969

Also available...

Kitchen Fabrication



CAB-MBS

Expect more more flexibility
more features



TAB-W



SNK-C

Glastender®

Glastender manufactures a line of highly configurable kitchen fabrication products providing you with tailor-made solutions.

The flexibility you want. The features you need.

Glastender. Expect more.

Glastender, Inc. • 5400 North Michigan • Saginaw, MI • 48604-9780 • 989.752.4275 • 800.748.0423 • Fax 989.752.4444 • www.glastender.com

GLASSWASHERS • FOODSERVICE FABRICATION AND REFRIGERATION • BEER SYSTEMS