



AGRICULTURAL MACHINERY
sitrex®
Spa

***SPARE PARTS LIST
ASSEMBLY
USE AND MAINTENANCE***

FS SPREADER

FERTILIZER SPREADER

1	FOREWORD.....
2	WARRANTY.....
3	CONFORMITY STATEMENT.....
4	IDENTIFICATION PLATE.....
5	WARNING SIGNS.....
6	MACHINE DESCRIPTION.....
7	ACCIDENT PREVENTION STANDARDS.....
8	MACHINE USE.....
9	LOADING.....
10	DISTRIBUTION.....
11	BLADE ADJUSTMENT.....
12	SPREADING PATTERNS.....
13	ASSEMBLY.....
14	TRACTOR HITCHING.....
15	ACCESSORIES.....
16	MAINTENANCE.....
17	STORAGE.....
18	TRANSPORT.....
19	TECHNICAL DATA.....
20	DISPOSAL.....
21	SPREADING TABLE.....
22	SPARE PARTS.....

1 FOREWORD

This guide is integral part of the machine and contains all necessary information for use and maintenance.

Before using or servicing the machine, operators and technical staff are required to read this guide carefully.

This guide, or a copy of it, must be kept in a convenient place for reference.

It is advisable to contact the manufacturer for any further information.

2 WARRANTY

The manufacturer warrants new machinery to be free from defects in material and workmanship at the time of delivery to the original purchaser if correctly set up and operated according to this Operator's Handbook.

The manufacturer undertakes to repair or replace free of charge any defective part which should be returned by the purchaser (freight prepaid) and found to be defective on inspection authorised by the manufacturer during the warranty period.

This warranty shall be valid for 12 (twelve) months from the delivery of the goods to the original purchaser.

If the customer is unable to return the defective part to the manufacturer, the manufacturer cannot be held responsible for any cost due for repair or replacement of any part of the machine. He shall only supply the part(s) required for such repair and/or replacement.

The warranty shall be considered null and void when it is evident that the machine has been improperly used or at least repaired without authorisation.

The manufacturer shall not be held responsible for any obligation or agreement reached by any manufacturer employers, agents or dealers who do not comply with the above warranty. The manufacturer cannot be held responsible for the subsequent damages. This warranty replaces any other warranty, either explicit or implied, as well as any other obligation of the manufacturer.

3 CONFORMITY STATEMENT

The machine is identified by means of the following technical data:

- Type of machine
- Registration number

stamped on the rating plate fastened to the frame of the machine. This data should be mentioned when requesting any replacements or information.

NOTE:

ALL WARRANTY WORK OR REPAIRS MUST BE APPROVED BY THE MANUFACTURER BEFORE WORK BEGIN.

ANY WORK OR REPAIRS MADE BEFORE APPROVAL MAY NOT BE COVERED UNDER WARRANTY.

PLEASE NOTIFY YOUR SALES & SERVICE DEPARTMENT OF THIS POLICY.

4 IDENTIFICATION PLATE

The machine identification plate (Fig.2) containing all relevant identity information is located on the guard. (Fig.1)

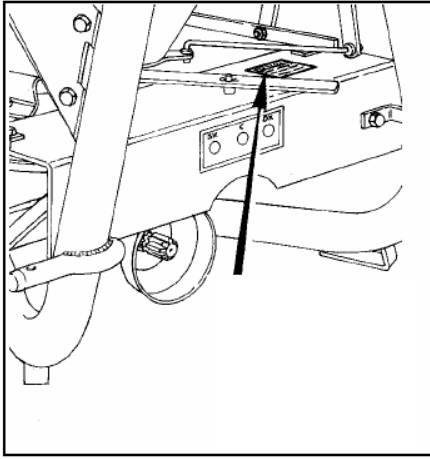


Fig. 1



Fig. 2

5 WARNING SIGNS

The warning signs are affixed to the hopper and the frame.

6 MACHINE DESCRIPTION

This centrifugal spreader is suitable for spreading granular, dry or humid fertilizers and is designed to be hitched to tractors or self-propelled machines. The fertilizer is spread by means of a rotating disc equipped with 4 blades.

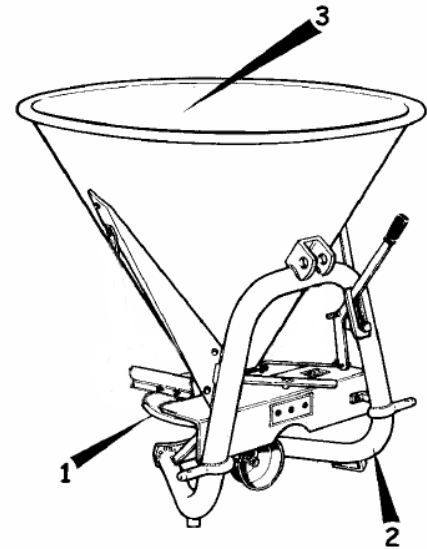
The machine consists of :

1 - spreading disc with blades

2 - frame and protections

3 - hopper

Fig. 4



7 ACCIDENT PREVENTION STANDARDS

HOW TO AVOID ACCIDENTS



In order to avoid accidents, pay close attention to the warning signs affixed to the machine and read this guide carefully.

Make sure no bystanders (especially children) or animals are in the working area.

Wear close fitting and laced-up clothing, safety shoes, safety gloves, mask and glasses especially while spreading powder fertilizers and in windy weather conditions.



While driving the tractor, make sure the P.T.O shaft is disengaged.



When the spreader is not being used, turn the motor off, put the handbrake on, disengage the P.T.O. and lay the spreader down on the ground.



Never carry out any maintenance work with the spreader in operation or while the tractor is running.

Never carry out any maintenance work with the spreader connected to the 3-point-hitch of the tractor: the spreader may suddenly fall down.

Before connecting the P.T.O. shaft, make sure the revolution number is the same of that of the tractor.

Abide by the national traffic code when transporting the machine on public roads.

Do not carry anyone while the machine is operating or during transfers.

Noise level under 70dB.

A careful operator is the best insurance against accidents.

8 MACHINE USE

The machine can be hitched to any kind of tractors of suitable power.



We recommend to start the spreader only outdoors and in good visibility conditions.

IMPROPER USE

It is forbidden to use the spreader differently from what described and specified in the present guide.

It is forbidden to remove safety devices and chain guards.

It is forbidden to make changes to any part of the spreader.

It is forbidden to put hands, arms or any other part of the body inside the rotating parts.

Never load the hopper with wet products; the machine may get obstructed.

Never use the spreader to spread dangerous substances i.e. glass, pebbles or similar products as they may injure people or cause damages.

Disabled personnel are not allowed to use the spreader.

Minors are not allowed to use the spreader.

9 LOADING

Before loading the hopper, make sure the tractor is off and the P.T.O. shaft disconnected.



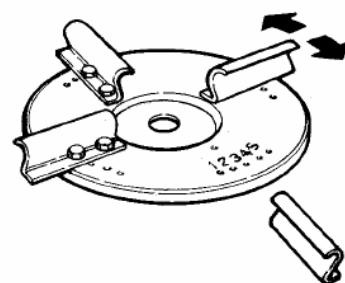
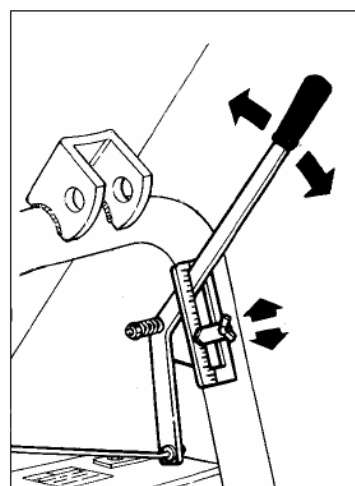
We recommend that the whole loading operation is carried out by the same operator. Lay down the spreader on the ground and then load the hopper.

10 DISTRIBUTION

By means of a lever positioned near the third point it is possible to increase or reduce the quantity of fertilizer to be spread. By pulling the lever down, the quantity is increased, by pulling the lever up the quantity is reduced till complete flow stop.

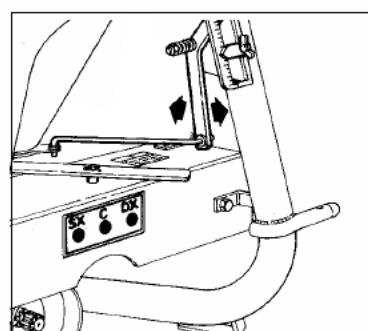
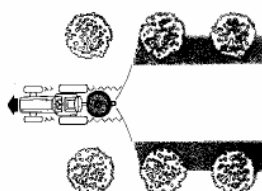
11 BLADE ADJUSTMENT

According to the different specific weights of the fertilizers to be spread, so as to get spreading uniformity to the right as well as to the left, the blades can be fixed on the spreading disc into 5 different positions marked by the stops 1-2-3-4-5. The blades are usually fixed into the stop nr.3. By fixing the blade towards the stop nr.1, the spreading is increased to the left. By fixing the blade towards the stop nr.5, the spreading is increased to the right.



12 SPREADING PATTERNS

By simply changing the position of the lower lever, it is possible to spread exclusively to the right or to the left of the tractor driver. The lever has 3 holes: a uniform full-width spreading pattern is obtained by fixing the lever into the central hole, and a localized spreading pattern (to the left as well as to the right) is obtained by fixing the lever into the other two holes.



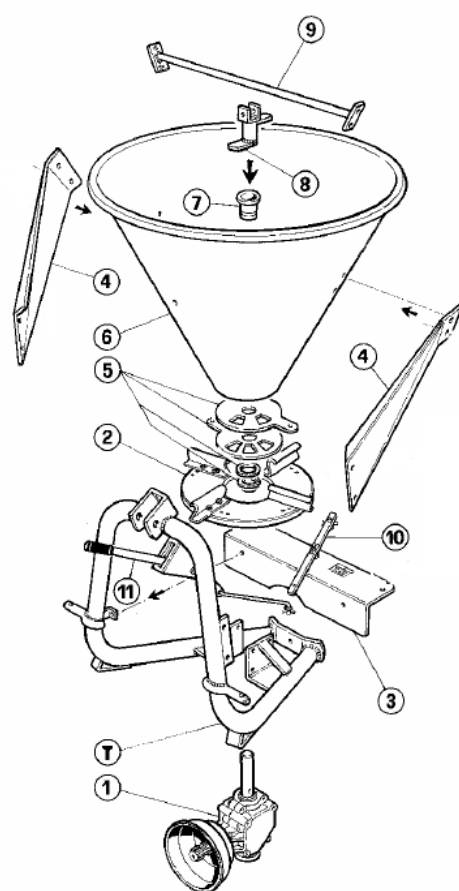
ASSEMBLY



Operators are required to be extremely careful during assembly.

The assembly must be carried out following the instructions of the user's guide. **The accident prevention standards must be observed: always use suitable tools.**

- 1** - Fix the gear-box (1) to the frame (T).
- 2** - Mount the spreading disc (2) on the drive shaft of the gear box (1) and fix with a pin.
- 3** - Fix the guard (3) to the frame (T).
- 4** - Fix the two side supports (4) to the frame.
- 5** - Insert the circlip, the washer and the dosing discs in the drive shaft of the gear box (see 5).
- 6** - Fix the hopper (6) to the side supports (4) and to the frame.
- 7** - Insert the agitator bush guide (7) in the discharging hole.
- 8** - Fix the agitator (8) to the drive shaft of the gear box.
- 9** - Mount the hopper reinforcement bar (9) and fix it together with the side supports (4) by means of screws.
- 10** - Mount the selector rod and connect it to the 3-hole dosing disc.
- 11** - Mount the adjustment lever (11) and connect the flow adjustment bars to the 2-hole dosing disc.



14 HITCHING



Before hitching the spreader to the tractor, turn the motor off, disengage the P.T.O. and put the handbrake on.

Insert the lower bars of the tractor-lifter into the inside or outside lower coupling pins of the spreader, according to the pinhole diameter, and secure with split pins. Connect the third point with a split pin and piston pin.

Connect the P.T.O. shaft, making sure the safety lock has gone off.

To secure the stability of the spreader, fasten the lower bars of the 3-point-hitch to the tie-rods. (Fig.9)

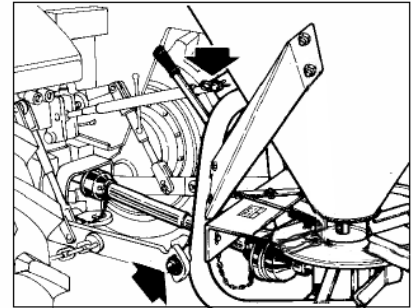


Fig.9

Adjust the length of the third point so that the spreader, while operating (70-80 cm from the ground), is perfectly level (fig. 10).

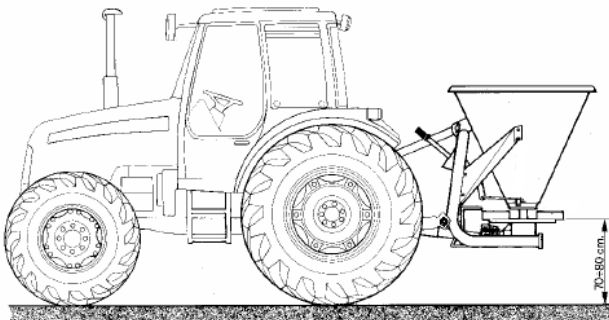


Fig.10

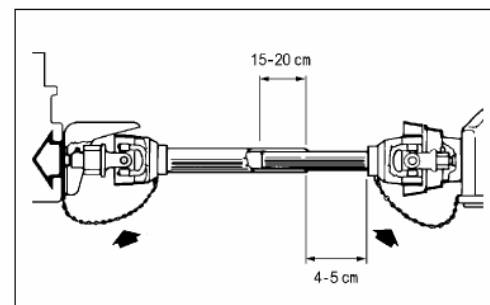


Fig.11

Make sure there is always a distance of at least 4-5 cm between the outer cardan tube and the joint spiders when the P.T.O. shaft is in its closing position; when the P.T.O. shaft is at its maximum extension, the two inner tubes must overlap for at least 15-20 cm (read the attached P.T.O. shaft guide carefully).

15 ACCESSORIES

The fertilizer-spreader can be equipped with the following accessories:

- Articulated agitator kit for powder fertilizers (Fig.12)
- Mechanic remote control (Fig.13)
- Deflector for salt/sand (Fig.14)
- Single fertilizer conveyor (Fig.15)
- Dual fertilizer conveyor (Fig.16)

ARTICULATED AGITATOR KIT FOR POWDER FERTILIZERS

This accessory together with the agitator permits the spreading of powder or damp fertilizers; its function is to keep the fertilizer flowing down into the discharging hole.

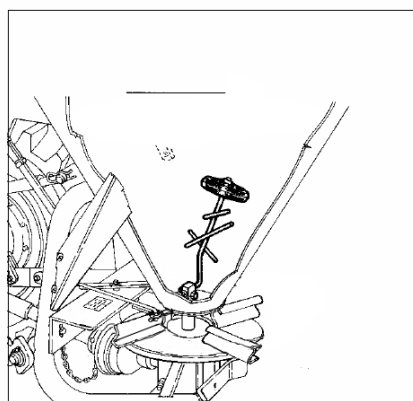


Fig.12

MECHANIC REMOTE CONTROL

Supplied on request. It consists of a 2.5 m extension containing a steel wire that, connected to the adjustment lever makes the adjustment possible from the tractor seat, so as to assure a safe and handy work.

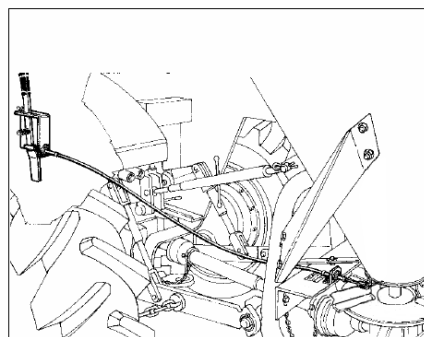


Fig.13

DEFLECTOR FOR SALT/SAND

It consists of a section of a steel cone and of two adjustable lateral supports; with this accessory the product is spread in the area right below the hopper.

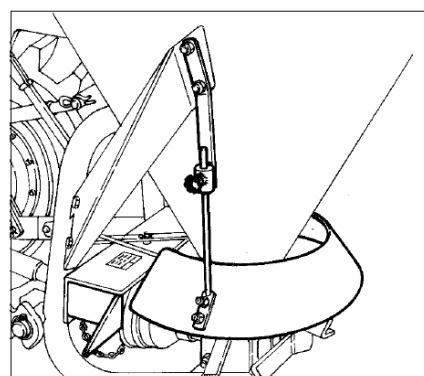


Fig.14

SINGLE FERTILIZER CONVEYOR

It consists of 2 steel hulls that cover the spreading disc and allows a precise and localized distribution.

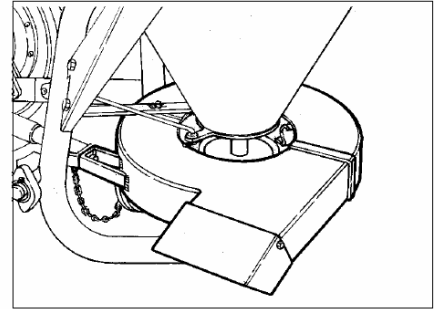


Fig.15

DUAL FERTILIZER CONVEYOR

It allows to throw the fertilizer on the right and on the left side of the machine.

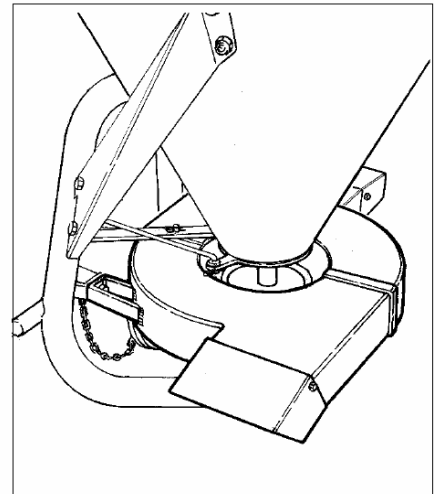


Fig.16

16 MAINTENANCE

Before any maintenance operation or replacing of spare parts, make sure the spreader is detached from the tractor or at least laid on the ground.

Always switch the tractor motor off, remove the ignition key and make sure the spreader is securely fixed. **It is forbidden to service the spreader while it is working or the tractor is on.**

Abide by the instructions of this user's guide.

Always clean the spreader before carrying out any maintenance work or servicing it. Always wear protective gloves and always use suitable tools.

STANDARD MAINTENANCE

Before using the spreader make sure that the hopper bottom is not obstructed.

After use, clean the hopper carefully and remove fertilizer residues. Before storing the spreader, it is advisable to unload the hopper completely so as to prevent product residues from obstructing the hopper or blocking the bottom shutter.

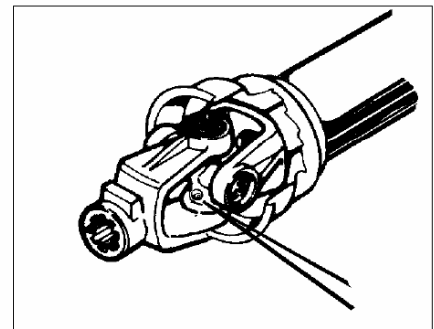
PROGRAMMED MAINTENANCE

Every 10 hours:

- grease the joint spiders of the drive-shaft

Every 50 hours:

- make sure all screws are firmly tightened



17 STORAGE

At the end of the season or before long periods of inactivity, it is necessary to:

- clean the spreader carefully
- check the worn-out or damaged parts and, if necessary, replace them
- make sure all bolts are firmly tightened

It is in the user's interest to find the spreader in good working condition at the beginning of a new season.

18 TRANSPORT

The machine is supplied disassembled, packed in cardboard and nylon. It is important to read this guide to mount it up correctly.

Respect the natural environment. Throw the carton boxes in the proper containers

19 TECHNICAL FEATURES

- MEASURES

MODEL	HEIGHT	WIDTH	LENGTH	CAPACITY	WEIGHT	MAX LOAD
FS-150	89 cm	90 cm	108 kg	150 l	45 kg	550 kg
FS -250	97 cm	100 cm	113 kg	200 l	46 kg	550 kg
FS -300	104 cm	108 cm	117 kg	250 l	49 kg	550 kg
FS -400	110 cm	114 cm	120 kg	300 l	52 kg	550 kg
FS -500	114 cm	119 cm	123 kg	350 l	54 kg	550 kg

- TECHNICAL DATA (All versions)

Powered by Tractor P.T.O. shaft at 540 RPM

Required power 6 kW

20 MACHINE DISPOSAL

At the end of its working life, the spreader must be demolished. Its various components must be sorted out and accordingly disposed of. For a correct disposal, abide by the regulations in force in the user's land.

SPREADING TABLE

Fertilizer type	PTO	Spreading width (m)	km/h	kg/ha of fertilizer to be spread at the speed indicated in column km/h											
				OPENING											
				1,5	2	2,5	3	3,5	4	4,5	5	5,5	6	6,5	7
Coarse grained fertilizers	540	18	1,5	225	375	691	1139	1455	1795	2175	2628	2890	3250	3560	4005
			4	106	156	277	465	580	720	887	1050	1155	1305	1450	1628
			8	58	78	145	230	292	360	441	530	586	675	742	835
			12	39	60	96	156	197	245	292	363	385	450	485	552
			16	23	39	72	120	150	192	225	270	290	335	369	420
Medium grained fertilizers	540	16	1,5		523	896	1279	1635	2027	2258	2624	2894	3169	3352	3686
			4		197	370	525	671	830	927	1062	1167	1281	1350	1495
			8		118	192	265	340	422	469	537	590	652	684	753
			12		82	127	183	223	284	321	365	398	449	465	512
			16		60	92	130	174	212	232	276	300	331	350	382
Fine grained fertilizers	540	12	1,5	198	324	550	926	1195	1507	1766	2125	2392	2743	2980	3317
			4	95	137	229	382	494	619	727	866	971	1122	1217	1332
			8	52	68	121	200	252	315	364	445	496	561	608	677
			12	33	46	105	137	172	217	248	296	334	382	415	454
			16	19	34	59	98	128	154	189	224	263	288	317	335
Medium cristal fertilizers	540	8	1,5	375	620	1144	1855	2294	2940	3436	4094	4583	5086	5577	6144
			4	131	249	468	751	927	1197	1387	1643	1842	2047	2242	2470
			8	77	127	237	374	473	607	698	829	933	1031	1124	1241
			12	50	86	159	253	318	414	472	557	621	689	755	827
			16	34	61	114	194	236	312	361	413	464	517	564	624
Calcium cyanamide and similar	540	10	1,5	312	852	1255	1859	2295	2095	3259	3801	4874			
			4	124	341	515	752	919	1129	1316	1526	1714			
			8	66	169	260	337	462	562	664	764	858			
			12	42	113	168	248	309	378	441	510	571			
			16	29	83	127	189	232	285	328	382	427			
Ammonium sulphate (Cr)	540	10	1,5	161	642	1050	1581	2022	2499	2963	3478	3812	4281	4590	5138
			4	69	254	424	633	814	1007	1182	1395	1531	1718	1842	2057
			8	32	130	214	319	411	504	590	699	762	860	919	1033
			12	26	83	139	215	274	335	396	475	513	577	618	690
			16	17	66	107	162	204	252	298	350	382	429	466	515
Thomas meal	400 500	6	1,5						2571	5724	7580	7874			
			6						650	1451	1915	1973			
			12						330	610	658	988			
			19						222	485	337	662			

In order to make the reference to the spreading table as clear as possible, we have listed only a few FERTILIZERS that differ in composition, quality, shape and specific weight. We remind you that the above indicated data are intended for reference only and are not binding. The data of the spreading table were obtained with the P.T.O. at 500 revolutions per minute and with the spreading disc at a height of 70/80 cm from ground. The tractor may run at a different speed from what indicated in the spreading table: we remind you that by increasing or reducing the speed, the quantity of FERTILIZER to be spread per hectare is accordingly increased or reduced.

SEEDS SPREADING TABLE

SEED	PTO	Spreading width (m)	FEED	Forward speed in km/h					kg/ha of fertilizer to be spread at the speed indicated in column km/h
				1,5	2	2,5	3	3,5	
WHEAT	500	16	2	306	122	61	40	29	
			2,5	495	197	98	65	48	
			3	677	270	135	89	67	
			3,5	830	354	177	118	88	
OAT	500	8	1,5	235	92	46	30	22	
			2	389	155	77	51	38	
			2,5	580	231	115	77	56	
			3	777	310	154	103	77	
RYE	500	16	2	395	156	81	51	39	
			2,5	615	242	122	82	62	
			3	843	336	167	111	86	
			3,5	1025	410	205	136	102	
BARLEY	500	12	2,5	405	161	80	52	40	
			3	492	197	97	64	49	
			3,5	680	273	135	91	66	
			4	837	334	166	110	82	
RYE GRASS	500	5	1,5	56	22	12	8	6	
			2	159	64	33	22	16	
			2,5	335	134	68	45	34	
RAPE SEED	500	6,5	1,5	43	18	9	7	4	
			2	240	96	47	32	24	
			2,5	478	192	96	64	47	
RED CLOVER	500	6,5	1,5	64	25	12	8	7	
			2	220	88	44	29	23	
			2,5	539	217	108	73	54	

In order to make the reference to the spreading table as clear as possible, we have listed only a few SEEDS that differ in composition, quality, shape and specific weight. We remind you that the above indicated data are intended for reference only and are not binding. The data of the spreading table were obtained with the P.T.O. at 500 revolutions per minute and with the spreading disc at a height of 70/80 cm from ground. The tractor may run at a different speed from what indicated in the spreading table: we remind you that by increasing or reducing the speed, the quantity of SEEDS to be spread per hectare is accordingly increased or reduced.

SPREADING TABLE

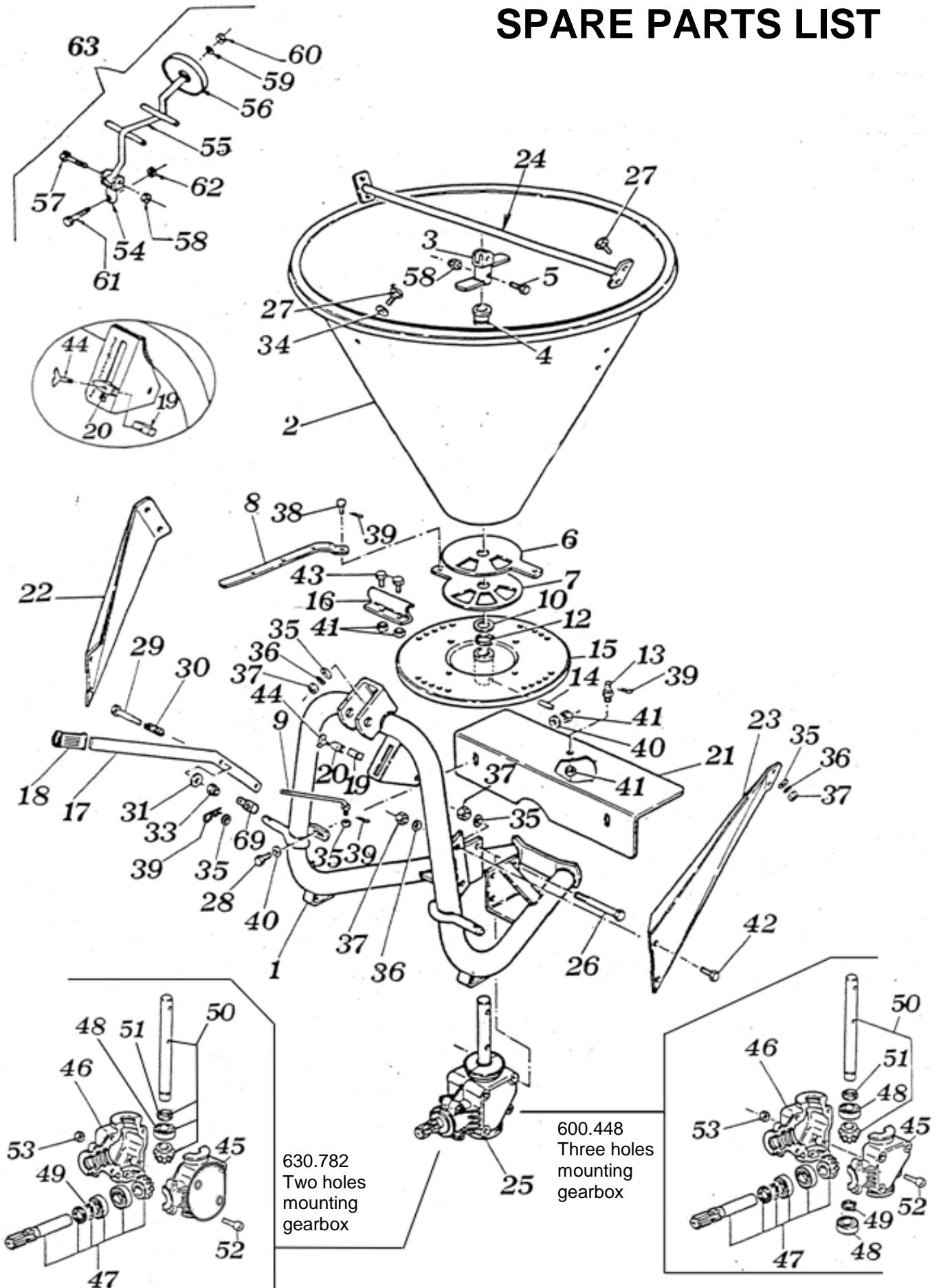
TIPO DI CONCIME TYPE D'ENGRAIS FERTILIZER TYPE ART DES DÜNGERS	Giri PTO Vitesse PTO PTO speed (R.P.M.) Undrehungen PTO	Largh. Spand. Yards Largeur epan Yards Spreading width in Yards Streu-breite Yards	Miglia ora Milles horaires MPH Meilen Stunde	Quantità da spargere in LBS/ACRO alla velocità di marcia indicata nella colonna miglia/ora Quantité à épandre en LBS/ACRE à la vitesse indiquée dans la colonne milles horaires Quantity to be spread in LBS/ACRE at the forward speed indicated column MPH Streumenge in LBS/AKRO bei hierdaneben angezeigter Meilen/Stunde fahrgeschwindigkeit												
				Apertura - Ouverture - Feed - Oeffnung												
				1.5	2	2.5	3	3.5	4	4.5	5	5.5	6	6.5	7	
Concimi a grana grossa Engrais a gros grains Coarse grain fertilizers Dünger, Grosskörnig	500	24	1 2,5 5 7,5 10	201 95 52 35 21	335 145 70 54 35	617 247 129 86 64	1016 415 205 139 107	1299 518 261 176 134	1602 642 321 219 171	1941 791 394 261 201	2372 937 473 324 241	2579 1031 523 344 259	2900 1164 602 402 299	3176 1294 662 433 329	3574 1453 745 493 375	
Concimi a grana media Engrais a grains moyens Medium grain fertilizers Dünger, Mittelkörnig	500	19,7	1 2,5 5 7,5 10	467 176 105 73 54	799 330 171 113 82	1141 468 237 163 116	1459 599 303 199 155	1807 741 377 253 189	2015 827 419 287 207	2341 948 479 326 246	2582 1041 526 355 268	2827 1143 582 401 295	2991 1205 610 415 312	3289 1334 672 457 341		
Concimi a grana fine Engrais a petits grains Fine grain fertilizers Dünger, Feinkörnig	500	13,1	1 2,5 5 7,5 10	177 85 46 30 17	289 122 61 41 30	491 204 108 94 53	826 341 179 122 88	1066 441 225 153 114	1345 552 281 194 137	1576 649 325 221 169	1896 773 397 264 200	2134 866 443 298 235	2447 1001 500 341 257	2659 1086 542 370 283	2959 1188 604 405 299	
Concimi cristallini medi Engrais a cr. moyens Medium cristalline fert. Dünger, Kristallin. Mittelgröße	500	8,75	1 2,5 5 7,5 10	335 117 69 45 30	553 222 113 77 54	1021 418 212 142 102	1655 670 334 226 173	2047 827 422 284 211	2624 1068 542 369 278	3066 1238 623 421 322	3653 1466 740 497 369	4089 1644 832 554 414	4538 1827 920 615 461	4976 2000 1003 674 503	5482 2204 1107 738 557	
Calciocianamide e assim. Cyanamide calc. e sim. Calc. cyanamide and s. Kalkstickstoffe und ähnl.	500	11	1 2,5 5 7,5 10	278 111 59 37 26	760 304 151 101 74	1120 457 232 150 113	1659 671 301 221 169	2048 820 412 276 207	2672 1008 502 337 254	2908 1174 592 394 293	3391 1362 682 455 341	4349 1529 766 509 381				
Solf. di ammonio (cr.) Sulfate d'ammon. en (cr.) Amminuim sulph. (cr.) Ammoniumsulfat (kr.)	500	11	1 2,5 5 7,5 10	144 62 29 23 15	573 227 116 74 59	937 378 191 124 95	1411 565 285 192 145	1804 726 367 244 182	2230 899 450 299 225	2644 1055 526 353 266	3103 1245 639 424 312	3401 1366 680 458 341	3820 1533 767 515 383	4095 1644 820 551 416	4584 1835 922 616 460	
Scorie thomas Scorie thomas Thomas meal Thomasschlacke	400/ 500	6,6	1 3,7 7,5 11,8					2294 580 293 198	5107 1295 544 433	6763 1709 855 562	7025 1760 882 591					

SEEDS SPREADING TABLE

SEMENTI GRAINES SEEDS SAATKÖRNER	GIRI PTO VITESSE PTO PTO SPEED (RPM) UMDREHUN- GEN PTO	LARGH. DI SPAND. YARDS LARGEUR D'EPANDAGE YARDS SPREADING WIDTH IN YARDS STREUBREITE YARDS	APERTURA OUVERTURE FEED ÖFFNUNG	VELOCITÀ IN MIGLIA ALL'ORA E RELATIVE QUANTITÀ DA SPARGERE IN LIBBRE PER ACRO ALLE VARIE POSIZIONI DI APERTURA VITESSE DE MARCHÉ EN MILLES HORAIRE ET ÉPANDAGE EN LIVRES PAR ACRE MILES PER HOUR AND SPREADING RATES OF LBS PER ACRE GESCHWINDIGKEIT LBS PRO STUNDE U. STREUMENGE LBS PRO AKRO				
				1	2,5	5	7,5	10
				FRUMENTO BLE WHEAT WEIZEN	500	17,5	2 2,5 3 3,5	273 442 604 741
AVENA AVOINE OAT HAFER	500	8,7	1,5 2 2,5 3	209 347 518 693	83 139 206 277	41 69 103 139	27 46 69 92	20 34 50 69
SEGALA SEIGLE RYE ROGGEN	500	17,5	2 2,5 3 3,5	353 549 752 915	139 216 300 366	72 109 149 183	46 73 99 121	35 55 77 91
ORZO ORGE BARLEY GERSTE	500	13,1	2,5 3 3,5 4	362 439 607 747	144 176 244 298	71 87 121 148	47 57 82 98	36 44 59 73
LEGLIO IVRAIE RYE GRASS RAIGRAS-LOLCH	500	5,5	1,5 2 2,5	50 142 299	20 57 120	11 30 61	7 20 40	6 14 30
SEME DI RAPA GRAINE DE NAVET RAPE SEED RÜBENSAMEN	500	7,1	1,5 2 2,5	41 214 427	16 86 172	8 42 86	6 29 57	4 22 42
TRIFOGLIO ROSSO TREFLE ROUGE RED CLOVER INKARNATKLEE	500	7,1	1,5 2 2,5	57 196 481	22 78 194	11 39 96	7 26 65	6 21 48

SPARE PARTS LIST

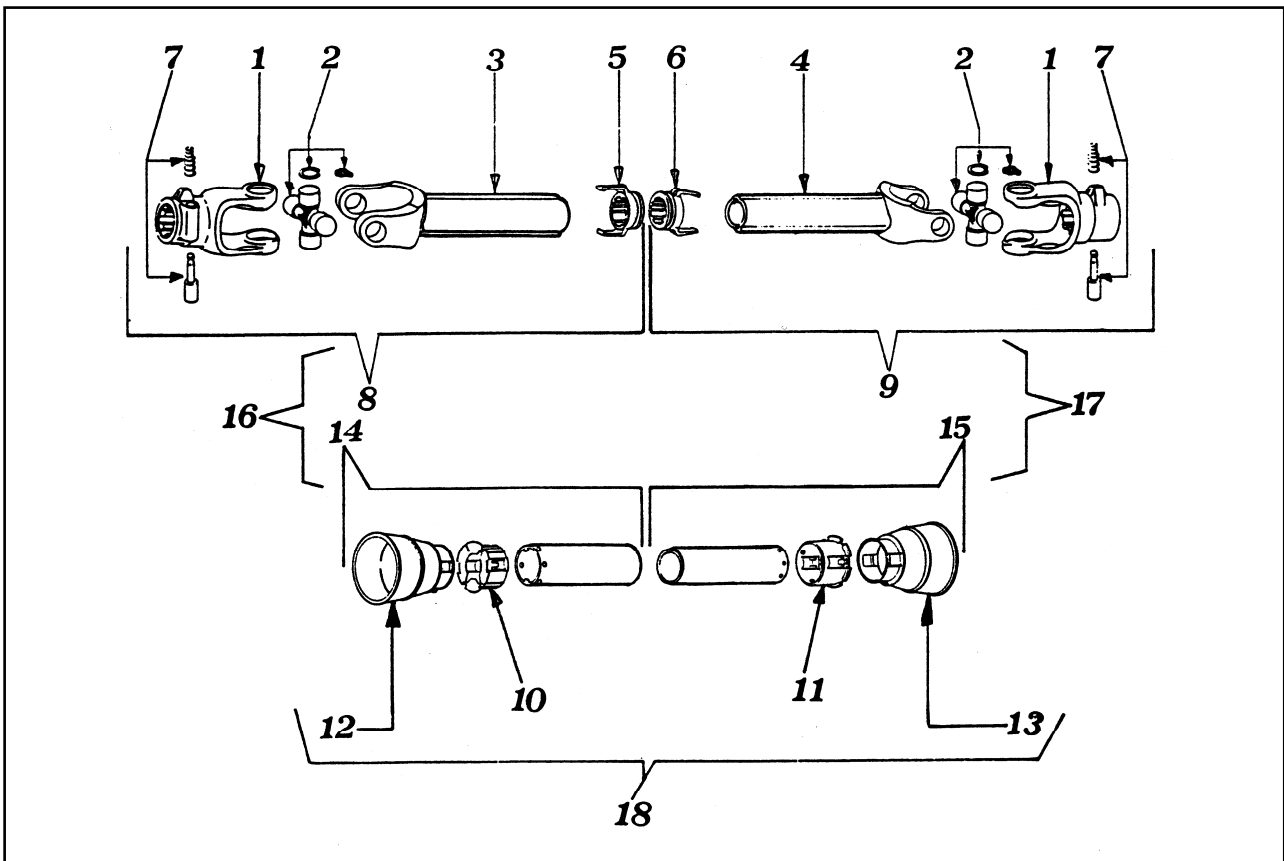
SPARE PARTS LIST



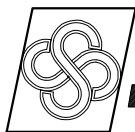
SPARE PARTS LIST - LISTE DBS PIECES DETACHEES					
Part.No.- Réf	Qty. - Q.té	Code	DESCRIPTION	DESCRIPTION	
1	1	400.050	Frame	Châssis	
2	1	400.051	FS 50 Hopper	Trémie FS 50	
2	1	400.052	FS 100 Hopper	Trémie FS 100	
2	1	400.053	FS 150 Hopper	Trémie FS 150	
2	1	400.054	FS 250 Hopper	Trémie FS 250	
2	1	400.055	FS 300 Hopper	Trémie FS 300	
2	1	400.056	FS 400 Hopper	Trémie FS 400	
2	1	400.057	FS 500 Hopper	Trémie FS 500	
3	1	400.046	Agitator	Agitateur	
4	1	400.058	Bushing	Bague	
5	1	600.551	Screw	Vis	
6	1	400.059	Disc	Disque dosage	
7	1	400.060	Spreading adjustment disc	Disque réglage épandage	
8	1	400.061	Spreading adjustment lever	Tige réglage épandage	
9	1	400.260	Rate adjustment rod	Tige réglage quantité	
10	1	400.063	Washer	Rondelle	
12	1	600.110	Snap ring	Seeger	
13	1	400.047	Pin	Pivot	
14	1	600.108	Pin	Goupille	
15	1	400.065	Spinner	Disque épandage	
16	4	400.066	Fin	Disque	
17	1	400.067	Rate adjustment lever	Levier	
18	1	600.450	Handle	Poignée	
19	1	400.001	Locking device	Etrier	
20	1	400.021	Indicator	Indicateur	
21	1	400.068	Crankcase	Carter	
22	1	400.069	R. H. Arm	Droite	
23	1	400.070	L. H. Arm	Gauche	
24	1	400.071	Tie rod	Tirant	
25	1	600.448	Gearbox assy	Boite	
		630.782	Gearbox assy	Boite	
26	3	600.074	Screw	Vis	
27	5	600.319	Screw	Vis	
28	10	600.057	Screw	Vis	
29	1	600.528	Screw	Vis	
30	1	400.048	Spring	Ressort	
31	1	400.049	Washer	Rondeile	
33	1	600.554	Nut	Ecrou	
34	1	600.092	Washer	Rondelle	
35	8	600.322	Washer	Rondelle	
36	5	600.097	Washer	Rondelle	
37	12	600.627	Nut	Ecrou	
38	1	400.072	Pin	Pivot	
39	4	600.113	Solit pin	Goupille	

SPARE PARTS LIST - LISTE DBS PIECES DETACHEES					
Part.No.- Réf	Qty. - Q.té	Code	DESCRIPTION	DESCRIPTION	
40	4	600.115	Washer	Rondeile	
41	10	600.553	Nut	Ecrou	
42	4	600.006	Screw	Vis	
43	4	600.060	Screw	Vis	
44	1	600.184	Screw with wing	Vis	
45	1	600.313	R.H. Semi-Gearbox	Demi carter, droite	
	1	630.783	R.H. Semi-Gearbox	Demi carter, droite	for 630.782
46	1	600.314	L.H. Semi-Gearbox	Demi carter, gauche	
	1	630.784	L.H. Semi-Gearbox	Demi carter, gauche	for 630.782
47	1	600.315	Inlet shaft assy	Arbre entrée complet	
	1	630.790	Inlet shaft assy	Arbre entrée complet	for 630.782
48	2	600.320	Bearing	Palier	
49	3	600.316	Snap ring	Seeger - Anneau ressort	
50	1	600.449	Outlet shaft assy	Arbre sortie complet	
	1	630.789	Outlet shaft assy	Arbre sortie complet	for 630.782
51	1	600.318	Grommet	Joint à huile	
	2	630.785	Grommet	Joint à huile	for 630.782
52	3 - 6	600.312	Screw	Vis	
53	3 - 6	600.037	Nut	Ecrou	
54	1	400.041	Agitator pin	Goupille agitateur	
55	1	400.042	Agitator arm	Bras agitateur	
56	1	400.201	Agitator washer	Rondelle agitateur	
57	1	600.134	Screw	Vis	
58	1	600.076	Nut	Ecrou	
59	1	600.089	Washer	Rondeile	
60	1	600.366	Self-locking nut	Ecrou autobloquant	
61	1	600.404	Screw	Vis	
62	1	600.029	Nut	Ecrou	
63	1	400.200	Agit. assy (for powder fertilizer)	Agitat. complet (fert. en poudre)	
69	1	400.259	Pin	Pivot	

CARDAN SHAFT 600.396



CARDAN SHAFT/ARBRE A CARDAN 600.396				
ITEM	PART NO	Q.ty	DESCRIPTION	NOTE
1	610.099	2	YOKE	
2	610.100	2	CROSS JOURNAL ASS.	
3	610.101	1	YOKE WITH OUTER TUBE	
4	610.102	1	YOKE WITH INNER TUBE	
5	610.103	1	RING FOR OUTER TUBE	
6	610.104	1	RING FOR INNER TUBE	
7	610.057	2	COMPLETE PUSH BUTTON	
8	610.105	1	HALF SHAFT-WITHOUT GUARD	
9	610.106	1	HALF SHAFT-WITHOUT GUARD	
10	610.107	1	OUTER BEARING	
11	610.114	1	INNER BEARING	
12	610.108	1	OUTER BASIC CONE	
13	610.108	1	INNER BASIC CONE	
14	610.109	1	OUTER HALF GUARD	
15	610.110	1	INNER HALF GUARD	
16	610.111	1	OUTER HALF SHAFT-WITH GUARD	
17	610.112	1	INNER HALF SHAFT- WITH GUARD	
18	610.113	1	COMPLETE GUARD	



AGRICULTURAL MACHINERY
sitrex® Spq .

Zona Industriale-Viale Grecia, 8
06018 TRESTINA-(Perugia)-ITALY
Tel. +39.075.8540021-Telefax +39.075.8540523
e-mail: sitrex@sitrex.it www.sitrex.com

