

AGRICULTURAL MACHINERY
sitrex®
Spa

SPARE PARTS LIST

MX/12

TABLE NO. 920.133 REAR PART

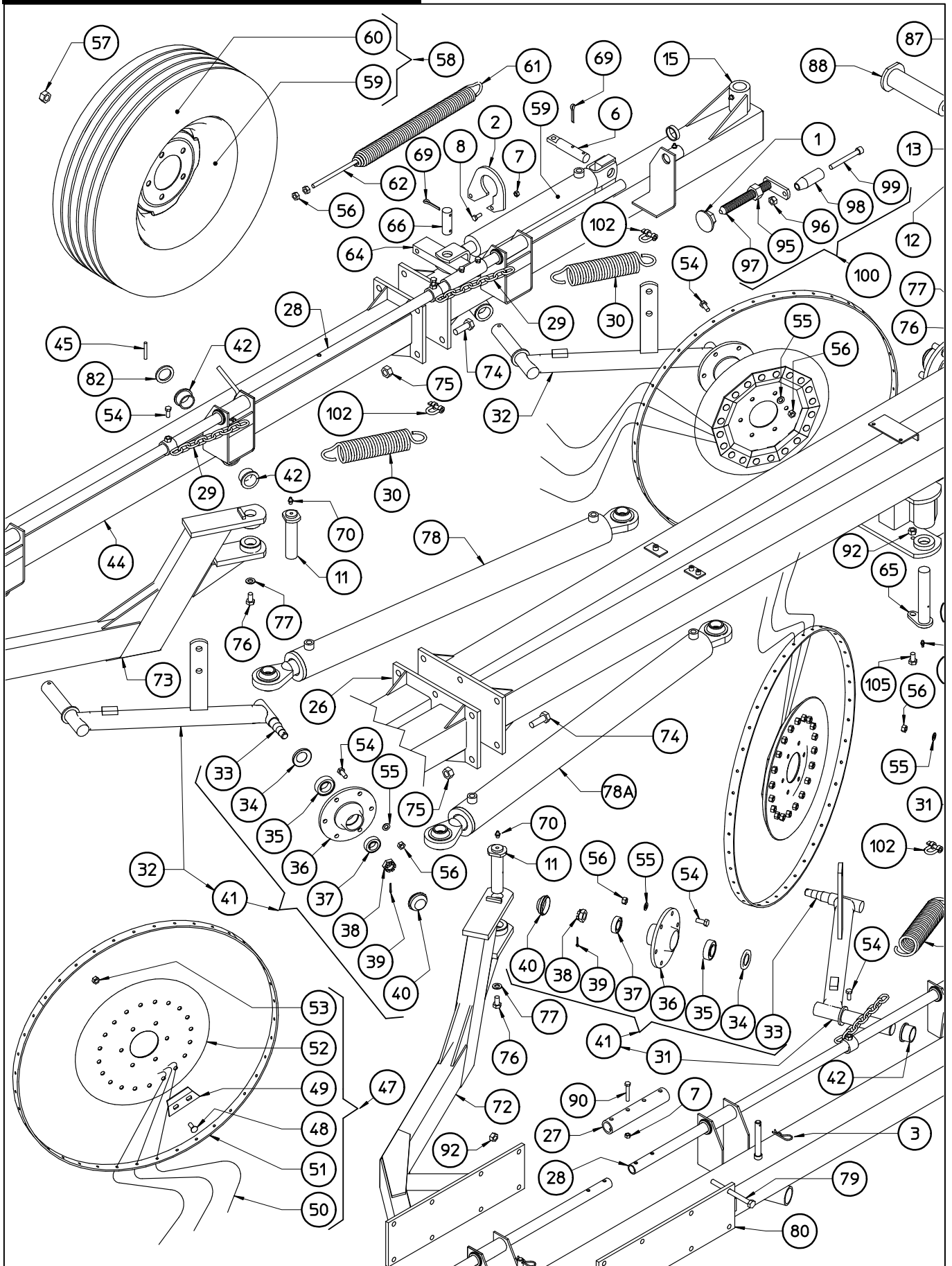


TABLE NO. 920.133 REAR PART

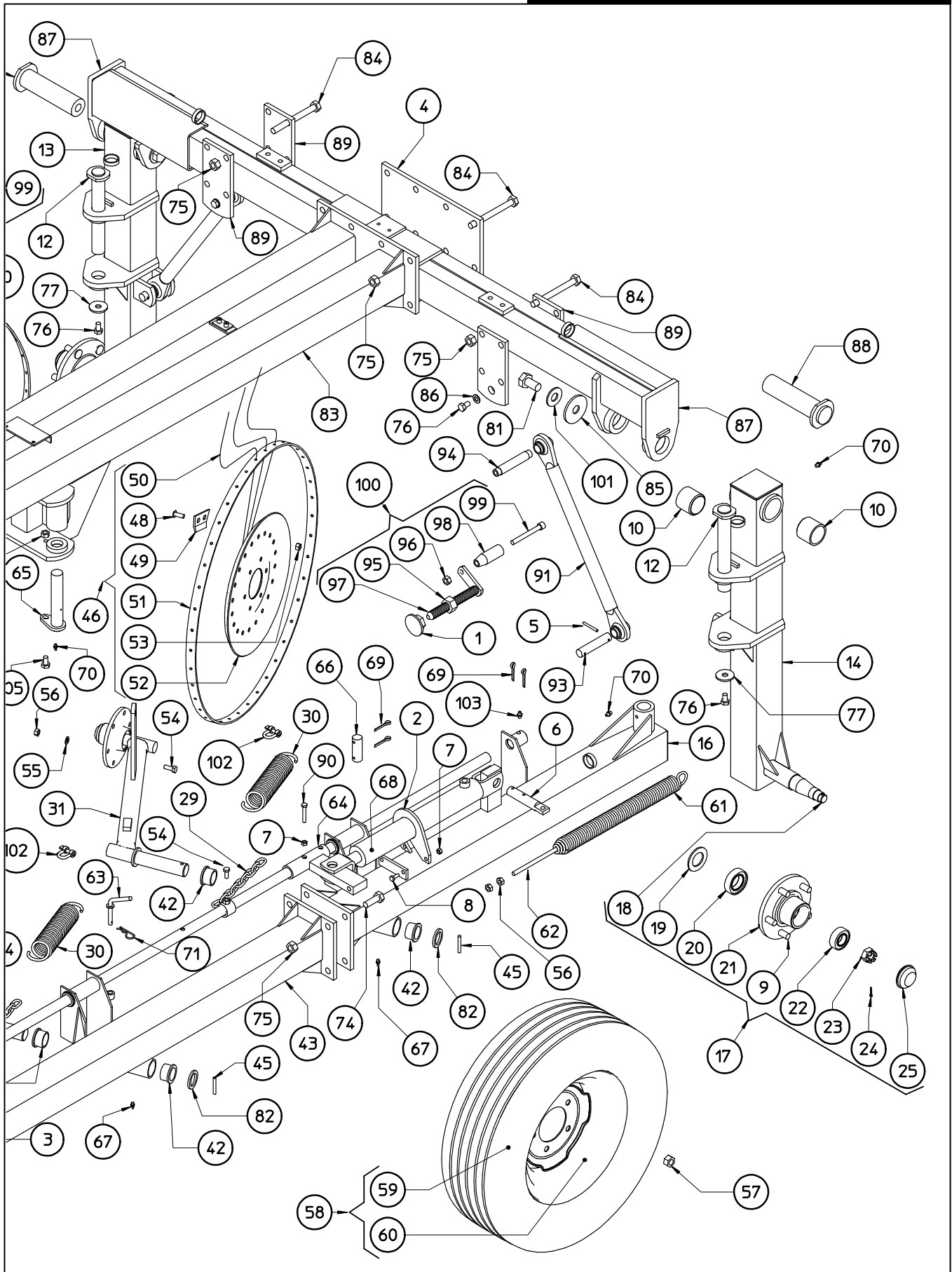


TABLE NO 920.133 REAR PART				
ITEM	Q.ty MX 12	PART NO	DESCRIPTION	NOTE
1	2	210.890	HEAD	
2	2	210.932	CYLINDER BRACKET	
3	9	600.019	SPLIT PIN	
4	1	210.872	DRAWBAR FIXING COUNTER PLATE	
5	4	600.635	SPRING PIN 5 X 36 DIN 1481	
6	2	210.889	PIN	
7	16	600.076	NUT M 8 DIN 980	
8	4	600.702	SCREW M8 X 25 DIN 931 8.8	
9	10	610.413	BOLT	
10	8	200.199	BUSH	
11	2	210.135	PIN	
12	2	210.894	PIN	
13	1	210.892	REAR WHEEL SUPPORT,RH	
14	1	210.893	REAR WHEEL SUPPORT,LH	
15	1	220.398	SECTION 1 WHEEL,RH	
16	1	220.399	SECTION 1 WHEEL,LH	
17	2	205.213	HUB ASSY	
18	2	205.276	PIN	
19	2	600.284	DUST COVER	
20	2	600.285	BEARING 30208	
21	2	600.286	HUB	
22	2	600.287	BEARING 30206	
23	2	600.288	CASTLE NUT M27 X 1,5	
24	2	600.291	SPLIT PIN	
25	2	600.290	CAP	
26	1	220.161	CENTER DRAWBAR	
27	2	220.357	BUSH	
28	2	220.408	MAIN PIPE	
29	12	220.356	CHAIN BUSH	
30	12	200.046	SPRING	
31	6	200.803	LH ARM	
32	6	200.008	RH ARM	
33	8	205.277	PIN	
34	8	600.011	DUST COVER	
35	8	600.012	BEARING 30205	
36	8	600.013	HUB	
37	8	600.014	BEARING 30204	
38	8	600.015	CASTLE NUT M18 X 1,5 - 6	
39	8	600.301	SPLIT PIN D 3 X 30 DIN 94 3.6	
40	8	600.016	CAP	
41	8	205.041	HUB ASSY	
42	24	200.029	BUSH	
43	1	220.416	SECTION 3 WHEEL,LH	
44	1	220.415	SECTION 3 WHEEL, RH	
45	12	600.027	SPRING PIN D 8 X 50 DIN 1481	
46	6	210.181	LH FINGER WHEEL ASSY	
47	6	210.180	RH FINGER WHEEL ASSY	
48	240	600.005	SCREW M10 X 25 DIN 603 6.8	
49	120	200.012	TINE LOCK	
50	480	210.621	TINE	
51	12	200.009	RIM	
52	12	200.010	FLANGE	

TABLE NO 920.133 REAR PART				
ITEM	Q.ty MX 12	PART NO	DESCRIPTION	NOTE
53	240	600.029	NUT M10 DIN 980	
54	82	600.006	SCREW M10 X 25 DIN 933 8.8	
55	72	600.024	SPRING WASHER D 10,5	
56	76	600.010	NUT M10 DIN 934 - 8	
57	10	600.289	NUT M16 X 1,5	
58	2	610.420	WHEEL ASSY	
59	2	610.291	TIRE	
60	2	600.304	RIM	
61	2	210.152	SPRING	
62	2	210.173	TIEROD	
63	2	220.377	PIN	
64	2	220.403	SUPPORT	
65	2	210.134	PIN	
66	2	200.032	PIN	
67	12	600.968	GREASE NIPPLE M 6 - 45°	
68	2	210.150	CYLINDER	
69	8	600.038	SPLIT PIN D 6 X 35 DIN 94 3.6	
70	10	600.034	GREASE NIPPLE M8	
71	9	600.019	PIN	
72	1	210.887	ARM, LH	
73	1	210.886	ARM, RH	
74	28	610.167	SCREW M16 X 45 DIN 933 8.8	
75	44	600.080	NUT M16 DIN 980	
76	12	600.770	SCREW M12 X 20 DIN 933 8.8	
77	4	500.160	FLAT WASHER	
78	1	210.866 RH	CYLINDER RH	
78A	1	210.866 LH	CYLINDER LH	
79	16	600.001	SCREW M12 X 140 DIN 931 8.8	
80	2	205.696	COUNTERPLATE	
81	2	600.150	SCREW M22 X 50 DIN 933 8.8	
82	12	200.028	WASHER	
83	1	220.442	REAR DRAWBAR	
84	16	610.839	SCREW M16 X165 DIN 931 8.8	
85	2	200.822	WASHER	
86	4	600.092	WASHER	
87	2	220.410	REAR CROSSPIECE	
88	2	210.100	PIN	
89	4	210.898	PLATE	
90	12	610.525	SCREW M 8 X 60 DIN 931 8.8	
91	2	210.896	TIE ROD	
92	18	600.077	NUT M12 DIN 980	
93	2	210.897	PIN	
94	2	220.412	PIN	
95	2	600.200	NUT M22 DIN 934 - 8	
96	2	600.008	NUT M12 DIN 934 - 8	
97	2	210.177	HANDLE	
98	2	600.965	KNOB	
99	2	600.967	SCREW M12 X100 DIN 912 8.8	
100	2	210.178	HANDLE,COMPLETE	
101	2	600.214	SPRING WASHER D 23	
102	12	610.317	D SHACKLES	
103	2	600.124	GREASE NIPPLE M6	
105	2	600.616	SCREW M12 X 35 DIN 933 8.8	

TABLE NO. 920.134 FRONT PART

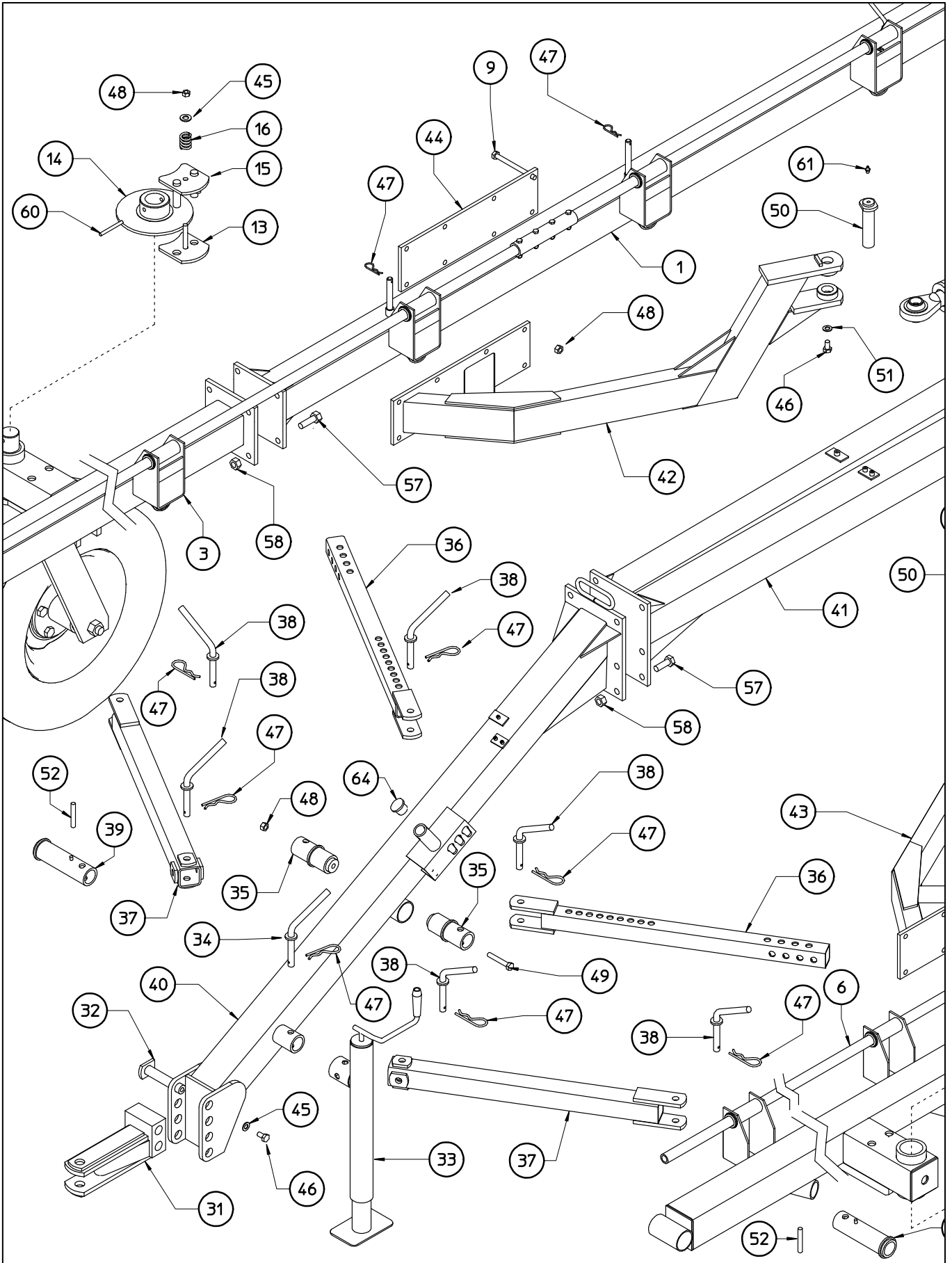


TABLE NO. 920.134 FRONT PART

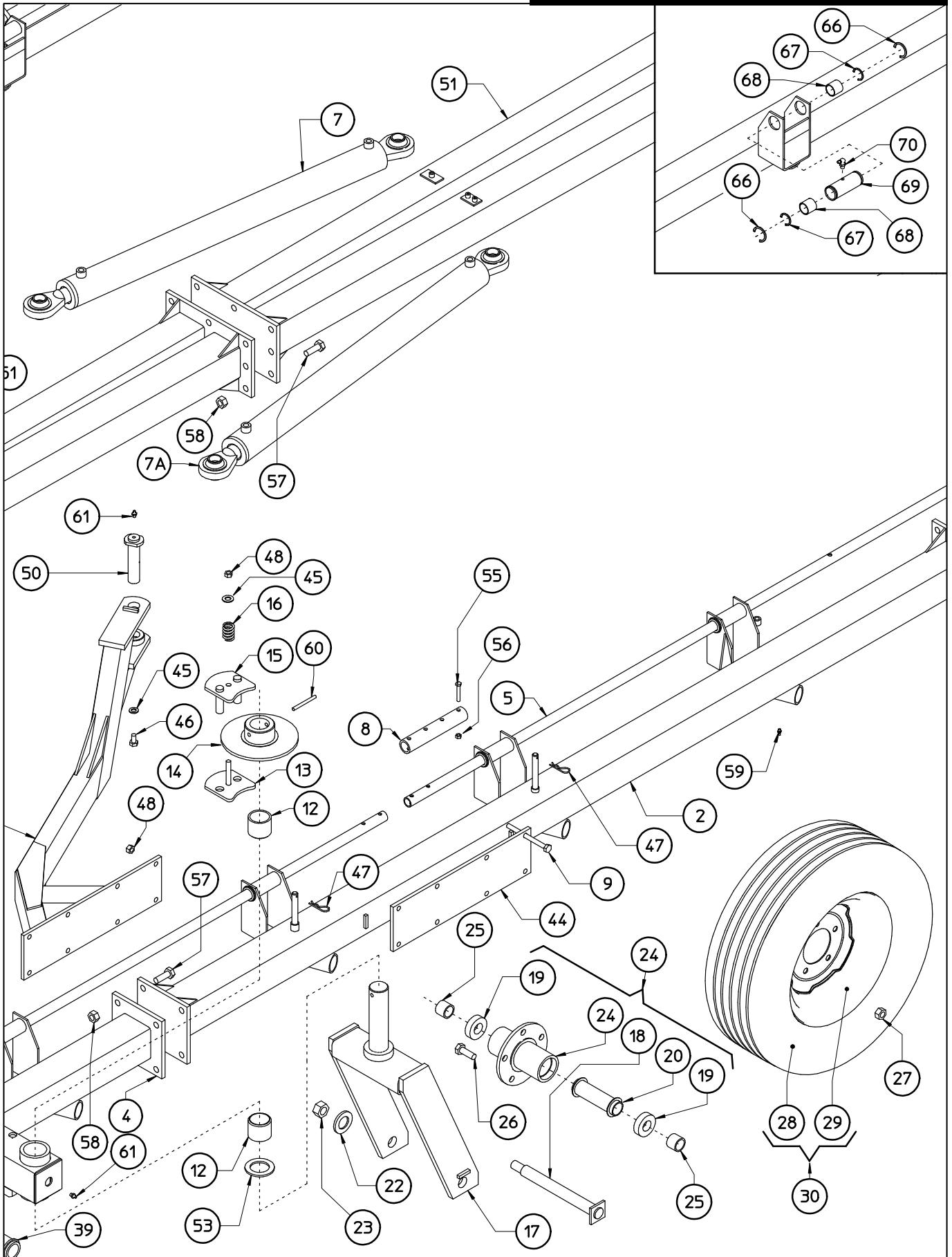


TABLE NO. 920.134 FRONT PART				
ITEM	Q.ty MX 12	PART NO	DESCRIPTION	NOTE
1	1	220.415	SECTION 3 RH WHEEL	
2	1	220.416	SECTION 3 LH WHEEL	
3	1	220.417	SECTION 2 RH WHEEL	
4	1	220.418	SECTION 2 LH WHEEL	
5	2	220.408	CENTER MAIN PIPE	
6	2	220.409	FRONT PIPE	
7	1	210.866RH	CYLINDER RH	
7A	1	210.866LH	CYLINDER LH	
8	2	220.357	BUSH	
9	16	600.001	SCREW M12 X140 DIN 931 8.8	
12	8	200.199	BUSH	
13	2	210.931	BRAKE COUNTER PLATE	
14	2	200.025	BUSH	
15	2	200.810	BRAKE	
16	2	200.044	SPRING	
17	2	210.168	WHEEL SUPPORT	
18	2	210.184	PIN	
19	4	600.609	BEARING 6206 2RS	
20	2	200.140	SPACER	
21	2	200.139	HUB	
22	2	200.165	WASHER	
23	2	600.079	NUT M22 DIN 980	
24	2	210.169	HUB ASSY	
25	4	210.170	SPACER	
26	10	600.144	SCREW M16 X 1,5 X 40 DIN 961 8.8	
27	10	600.289	NUT M16 X1,5	
28	2	610.291	TIRE	
29	2	600.304	RIM	
30	2	610.420	WHEEL ASSY	
31	1	210.306	TRACTOR HITCH	
32	2	200.828	PIN	
33	1	220.166	PARKING STAND	
34	1	200.222	PIN	
35	2	200.818	BUSH	
36	2	200.817	INNER ARM	
37	2	200.816	OUTER ARM	
38	6	200.820	PIN	
39	2	200.819	BUSH	
40	1	210.869	FRONT DRAWBAR	

TABLE NO. 920.134 FRONT PART				
ITEM	Q.ty MX 12	PART NO	DESCRIPTION	NOTE
41	1	220.161	CENTER DRAWBAR	
42	1	210.886	FIX ARM,RH	
43	1	210.887	FIX ARM,LH	
44	2	205.696	COUNTER PLATE	
45	2	500.160	FLAT WASHER	
46	12	600.770	SCREW M12 X 20 DIN 933 8.8	
47	9	600.019	PIN	
48	18	600.077	NUT M12 DIN 980	
49	1	600.618	SCREW M12 X 60 DIN 931 8.8	
50	2	210.135	PIN	
51	1	220.442	REAR DRAWBAR	
52	2	600.446	SPRING PIN D 8 X 70 DIN 1481	
53	2	210.179	WASHER	
55	12	610.525	SCREW M 8 X 60 DIN 931 8.8	
56	16	600.076	NUT M 8 DIN 980	
57	28	610.167	SCREW M16 X 45 DIN 933 8.8	
58	44	600.080	NUT M16 DIN 980	
59	10	600.968	GREASE NIPPLE M 6 - 45°	
60	2	600.033	PIN D 10 X 80 DIN 1481	
61	10	600.034	GREASE NIPPLE M8	
64	1	610.790	PLUG	
66	24	610.833	SEEGER E 50	
67	24	610.898	ELASTIC RING SB 44	
68	24	220.342	NYLON BUSH	
69	24	220.343	BUSH	
70	24	600.968	GREASE NIPPLE M6X45°	

TABLE NO. 920.135 HYDRAULIC KIT

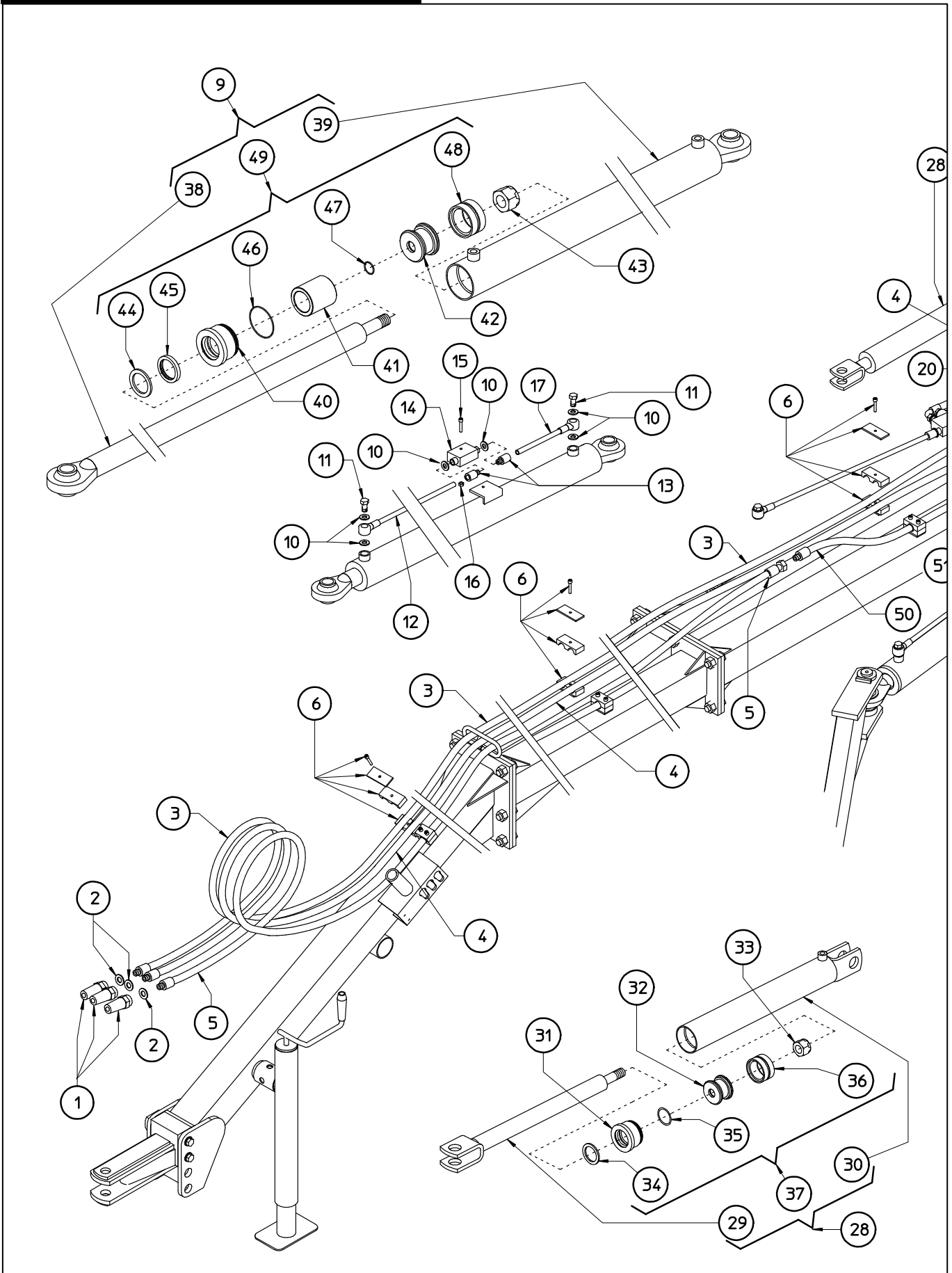


TABLE NO. 920.135 HYDRAULIC KIT

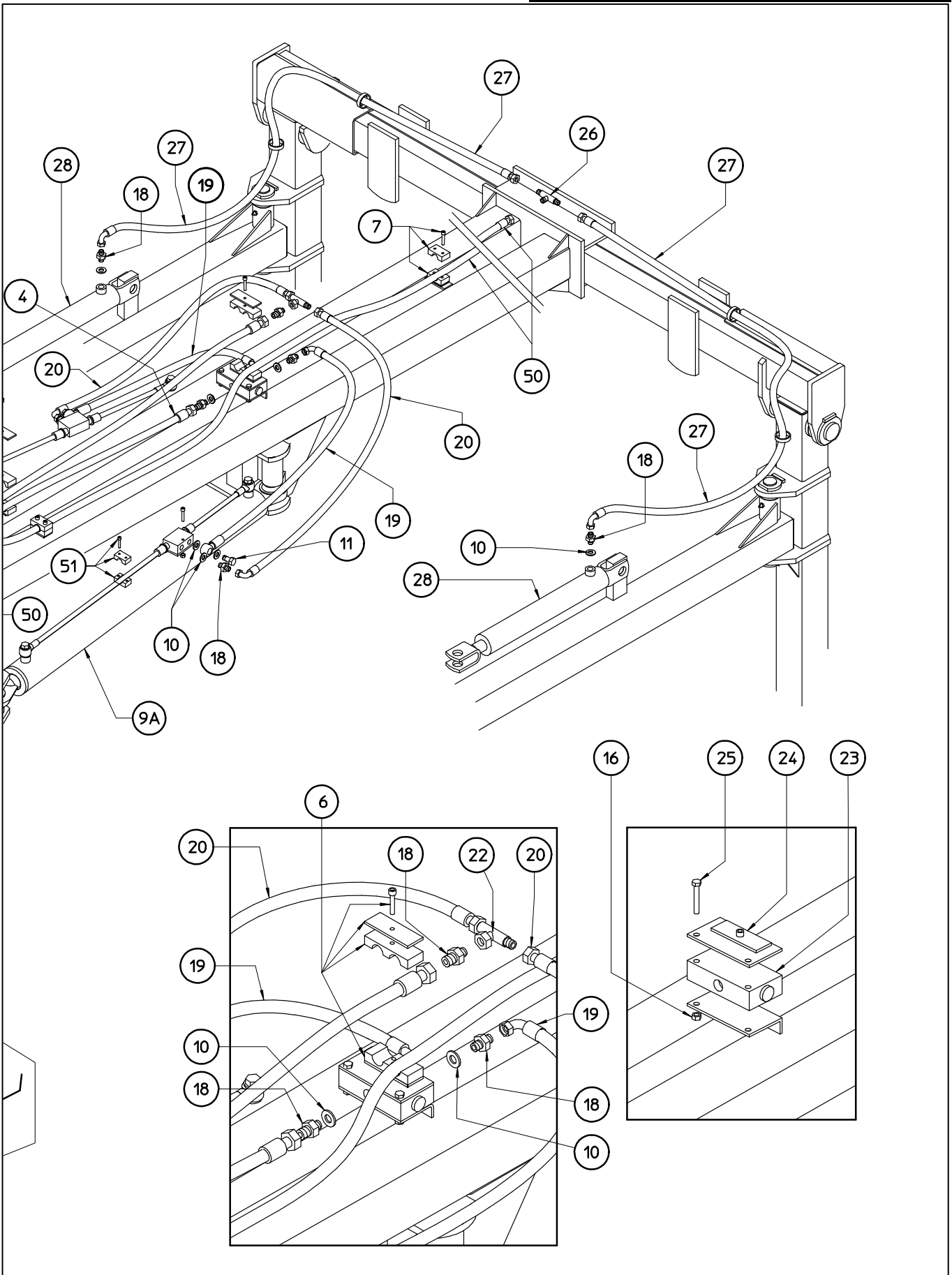
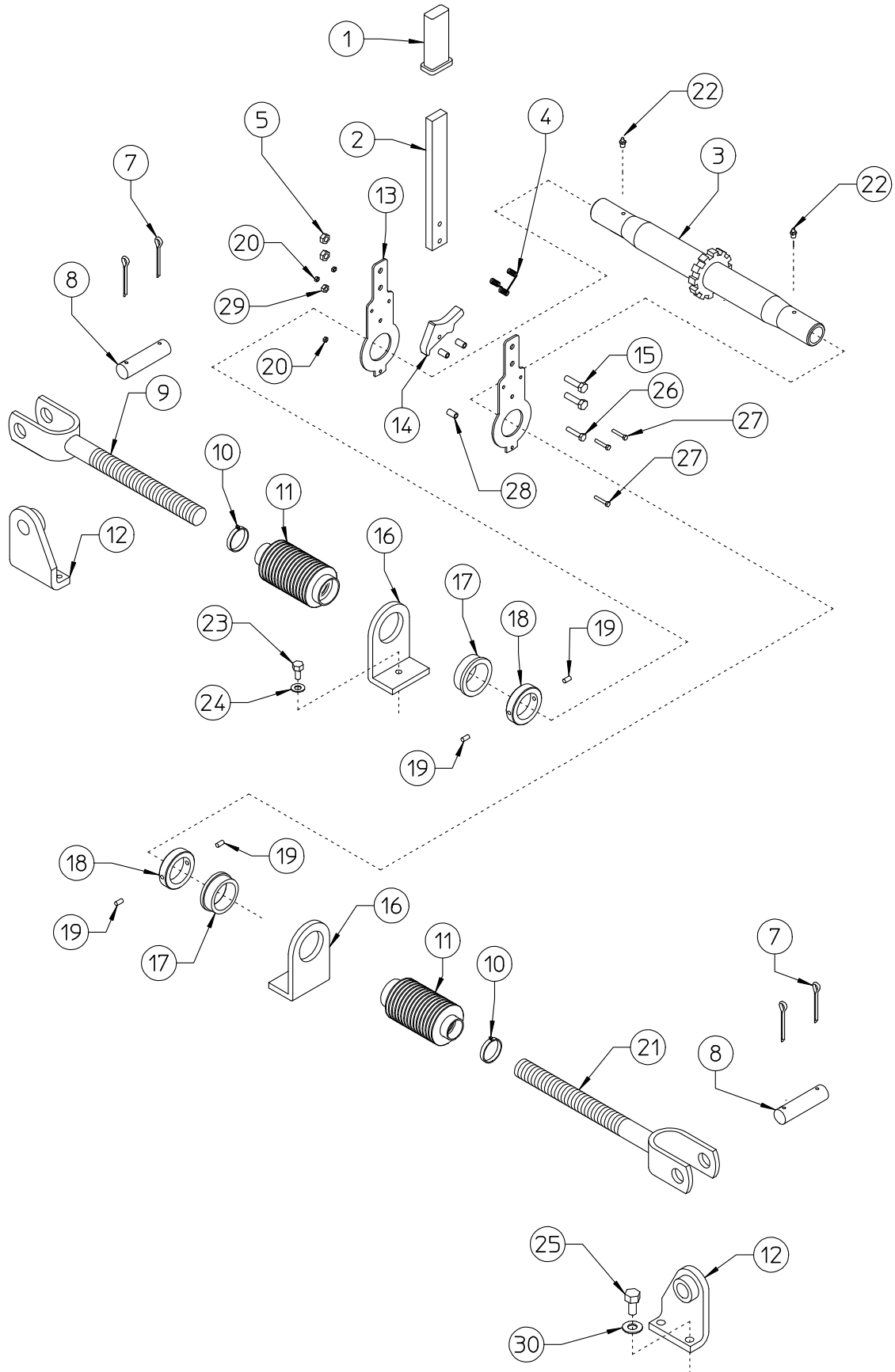


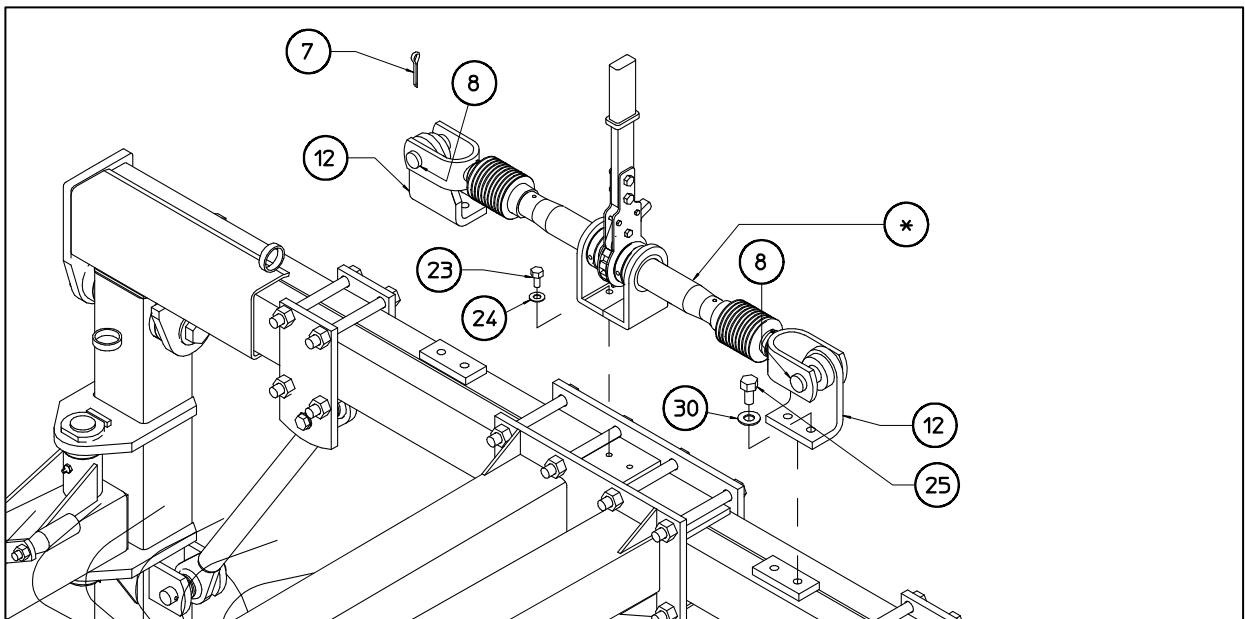
TABLE NO 920.135 HYDRAULIC KIT				
ITEM	Q.ty MX 12	PART NO	DESCRIPTION	NOTE
1	3	600.273	RAPID COUPLING 1/2"	
2	3	600.269	COPPER WASHER 1/2"	
3	1	610.865	HOSE SAE100 R2AT 3/8 FP 3/8 - MP 1/2	
4	1	610.864	HOSE SAE100 R2AT 3/8 FP 3/8 - MP 1/2	
5	1	610.775	HOSE SAE100 R2AT 3/8 MP 1/2" - FP 3/8"	
6	4	610.050	DOUBLE HOSE COLLAR	
7	4	600.822	HOSE COLLAR	
9	1	210.866RH	CYLINDER RH	
9A	1	210.866LH	CYLINDER LH	
10	23	600.039	COPPER WASHER 3/8"	
11	6	600.040	FITTING D 3/8"	
12	2	210.868	IRON PIPE	
13	4	610.469	FITTING	
14	2	600.799	LOCK VALVE VSD 3/8"	
15	2	600.869	SCREW M 6 X 40 DIN 931 8.8	
16	4	600.472	NUT M 6 DIN 980	
17	2	210.194	IRON PIPE	
18	8	600.270	NIPPLE 3/8" - 3/8"	
19	2	610.729	HOSE SAE100 R2AT 3/8 O 3/8" - FP90 3/8"	
20	2	610.730	HOSE SAE100 R2AT 3/8 FP90 3/8 - FP 3/8	
22	1	600.977	FITTING MM-FG 3/8"	
23	1	600.974	FLOW DIVIDER	
24	1	210.330	PLATE	
25	2	600.970	SCREW M 6 X 60 DIN 931 8.8	
26	1	600.272	FITTING MM-M 3/8"	
27	2	610.731	HOSE SAE100 R2AT 3/8 FP 3/8 - FP90 3/8	
28	2	210.150	CYLINDER	
29	2	210.221	ROD	
30	2	210.222	CYLINDER PIPE	

TABLE NO 920.135 HYDRAULIC KIT				
ITEM	Q.ty MX 12	PART NO	DESCRIPTION	NOTE
31	2	200.302	HEAD	
32	2	200.304	PISTON	
33	2	600.642	NUT M18 X1.5 DIN 982 - 8	
34	2	600.645	GASKET WRM 118149 (D 30)	
35	2	600.646	GASKET OR 117 (D 20,29 X 2,62)	
36	2	600.648	GASKET DBM 196133 BORE 50	
37	2	620.022	KIT GASKET	
38	2	220.427	ROD	
39	1	220.425RH	CYLINDER PIPE RH	
39	1	220.425LH	CYLINDER PIPE LH	
40	2	220.421	HEAD	
41	2	220.423	SPACER	
42	2	220.420	PISTON	
43	2	610.922	NUT M27 X 2 DIN 985 - 8	
44	2	610.600	GASKET WRM 157188 (D 40)	
45	2	610.599	GASKET B 196157 (D 40)	
46	2	610.923	GASKET OR 839 + PBK (D 63,50 X 3,53)	
47	2	610.921	GASKET OR 121 (D 26,65 X 2,62)	
48	2	600.984	GASKET DBM 275196 BORE 70	
49	2	610.924	KIT GASKET	
50	1	610.866	HOSE SAE100 R2AT 3/8 MP 3/8" - FP 3/8"	
51	1	610.421	HOSE COLLAR	

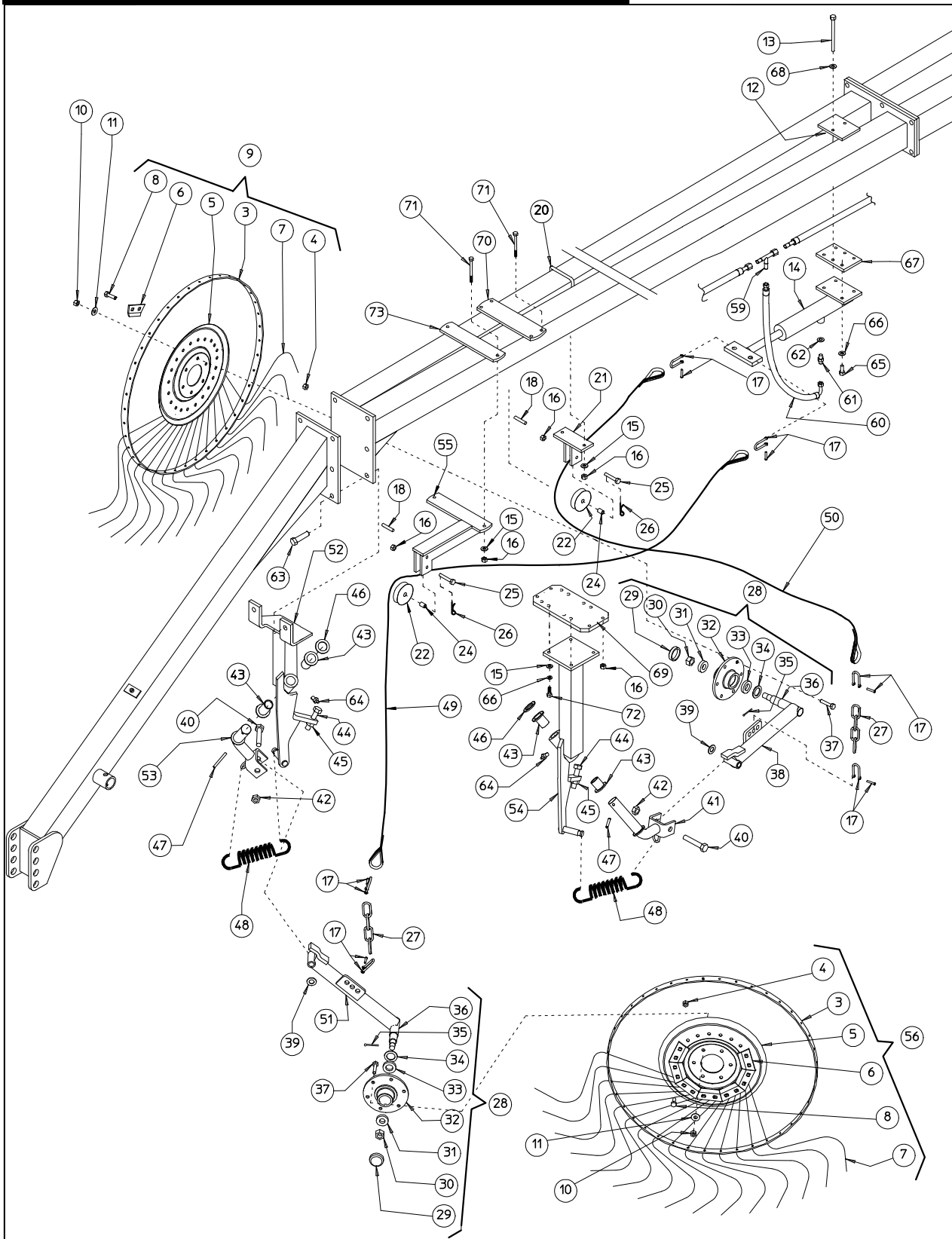
RATCHET LINK KIT PART NO. 220.264



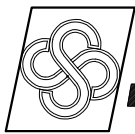
RATCHET LINK KIT PART NO. 220.264				
ITEM	Q.ty	PART NO	DESCRIPTION	NOTE
1	1	610.811	HANDLE	*
2	1	220.213	LEVER	*
3	1	220.218	SCREW PIPE	*
4	1	220.073	SPRING	*
5	2	600.076	NUT M8 DIN 980	*
7	4	600.038	SPLIT PIN D 6 X 35 DIN 94 3.6	
8	2	200.032	PIN	
9	1	220.219	TIE ROD RH	*
10	2	610.507	RING	*
11	2	220.435	RUBBER COVER	*
12	2	220.062	TIE ROD SUPPORT	
13	2	220.205	LEVER SUPPORT	*
14	1	220.070	LOCKING HOOK	*
15	2	600.702	SCREW M8 X 25 DIN 933 8.8	*
16	2	220.217	PIPE SUPPORT	*
17	2	220.196	NYLON BUSH	*
18	2	220.206	BUSH	*
19	4	610.814	SPRING PIN D 6 X 14 DIN 1481	*
20	3	610.718	NUT M4 DIN 982 - 8	*
21	1	220.220	TIE ROD LH	*
22	2	600.124	GREASE NIPPLE M 6	*
23	2	600.006	SCREW M10 X 25 DIN 933 8.8	
24	2	600.024	SPRING WASHER D 10,5	
25	4	610.155	SCREW M14 X 25 DIN 933 8.8	
26	1	600.202	SCREW M6 X 25 DIN 933 8.8	*
27	3	610.717	SCREW M4 X 25 DIN 933 8.8	*
28	3	220.215	BUSH	*
29	1	600.472	NUT M6 DIN 980	*
30	4	600.086	SPRING WASHER D 15	
*	1	220.216	RATCHET LINK	



PART NO. 220.658 HYDRAULIC CENTRAL WHEELS KIT



HYDRAULIC CENTRAL WHEELS KIT PART NO. 220.658				
ITEM	Q.ty	PART NO.	DESCRIPTION	NOTE
3	2	200.840	RIM	
4	40	600.029	NUT M10 DIN 980	
5	2	200.010	FLANGE	
6	20	200.012	TINE LOCK	
7	80	200.841	TINE	
8	40	600.005	SCREW M10 X 25 DIN 603 6.8	
9	1	200.802	WHEEL ASSY L.H.	RH SIDE
10	12	600.010	NUT M10 DIN 934 - 8	
11	12	600.024	SPRING WASHER D 10,5	
12	1	210.978	COUNTER PLATE	
13	2	610.698	SCREW	
14	1	210.567	LIFT CYLINDER	
15	8	600.089	WASHER D 13 DIN 125A	
16	10	600.077	NUT M12 DIN 980	
17	6	610.317	FORK ASSY	
18	2	600.539	SPRING PIN D 6 X 45 DIN 1481	
20	1	210.582	U BOLT	
21	1	210.564	PULLEY BRACKET	
22	2	200.741	PULLEY	
24	2	210.581	BUSH	
25	2	210.627	SCREW	
26	2	600.019	SPLIT PIN	
27	2	210.983	CHAIN	
28	2	205.777	HUB ASSY	
29	2	600.016	CAP	
30	2	600.015	CASTLE NUT M18 X 1,5 - 6	
31	2	600.014	BEARING 30204	
32	2	205.291	HUB	
33	2	600.012	BEARING 30205	
34	2	600.011	DUST COVER	
35	2	600.301	SPLIT PIN D 3 X 30 DIN 94 3.6	
36	2	205.819	PIN	
37	12	600.006	SCREW M10 X 25 DIN 933 8.8	
38	1	210.566	ARM	
39	2	600.756	WASHER D 19 DIN 433	
40	2	600.266	SCREW M18 X 100 DIN 931 8.8	
41	1	210.617	BRACKET	
42	2	600.078	NUT M18 DIN 980	
43	4	200.029	BUSH	
44	2	600.617	SCREW M12 X 60 DIN 931 8.8	
45	2	600.052	NUT M12 DIN 934 - 8	
46	2	200.028	WASHER	
47	2	600.027	SPRING PIN D 8 X 50 DIN 1481	
48	2	210.610/a	SPRING	
49	1	220.381	STEEL CABLE	
50	1	220.382	STEEL CABLE	
51	1	210.563	ARM	
52	1	220.380	BRACKET	
53	1	210.616	BRACKET	
54	1	210.976	BRACKET	
55	1	220.654	PULLEY BRACKET	
56	1	200.801	WHEEL ASSY R.H.	LH SIDE
59	1	610.411(*)	FITTING	
60	1	610.778(*)	HOSE SAE100 R2AT 3/8" FP 3/8" - FP90 3/8"	
61	1	600.270(*)	NIPPLE 3/8"	
62	1	600.039(*)	COPPER WASHER 3/8"	
63	2	600.174	SCREW M16 X 60 DIN 931 8.8	
64	2	600.968	GREASE NIPPLE M6 - 45°	
65	4	610.962	SCREW M12 X 30 DIN 933 8.8	
66	8	600.018	SPRING WASHER D 13	
67	1	210.977	PLATE	
68	2	600.180	SPRING WASHER D 17	
69	1	220.656	PLATE	
70	1	220.657	COUNTER PLATE	
71	6	600.001	SCREW M12x140 DIN 931 8.8	
72	4	600.441	SCREW M12x25 DIN 933 8.8	
73	1	220.655	COUNTER PLATE	
(*)	1	220.404	HYDRAULIC ASSY	



AGRICULTURAL MACHINERY
sitrex® Spq .

Zona Industriale-Viale Grecia, 8
06018 TRESTINA-(Perugia)-ITALY
Tel. +39.075.8540021-Telefax +39.075.8540523
e-mail: sitrex@sitrex.it www.sitrex.com

