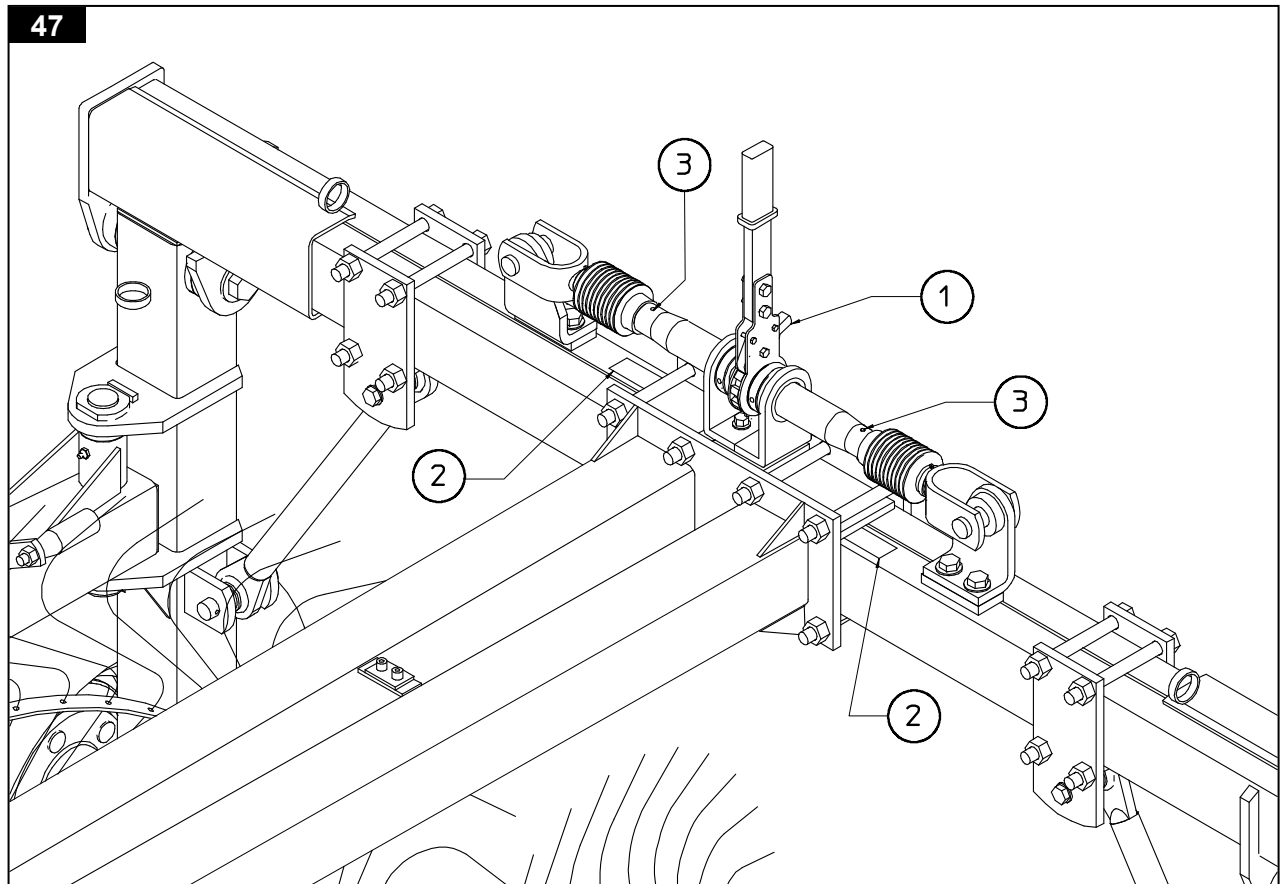


47. **CAUTION**  **REAR OPENING with RATCHET LINK (OPTIONAL)**



REAR OPENING STARTS AT 72" TO A MAXIMUM OF 84" AND THIS ALLOWS TO OBTAIN WINDROWS FROM APPROXIMATELY 3' AND 2" TO A MAXIMUM OF 5' AND 2".

NOTE : These measures are approximate and vary due to the type of forage, conditions of the forage (whether it is more or less dry) and the type of ground.

WARNING !!! 

REMEMBER TO LOOSEN ALL SCREWS WHICH FASTEN THE PLATES 2 AND THE CONTERPLATE 1 IN FIG.46 BEFORE USING RATCHET LINK OPENING
Once adjustments are made, fasten all screws.

Use hook 1 to open or to reduce the windrows .
 Labes 2 give the measure of windrows (inches).
 Lubricate using greasennipples 3 (see table pag.37)