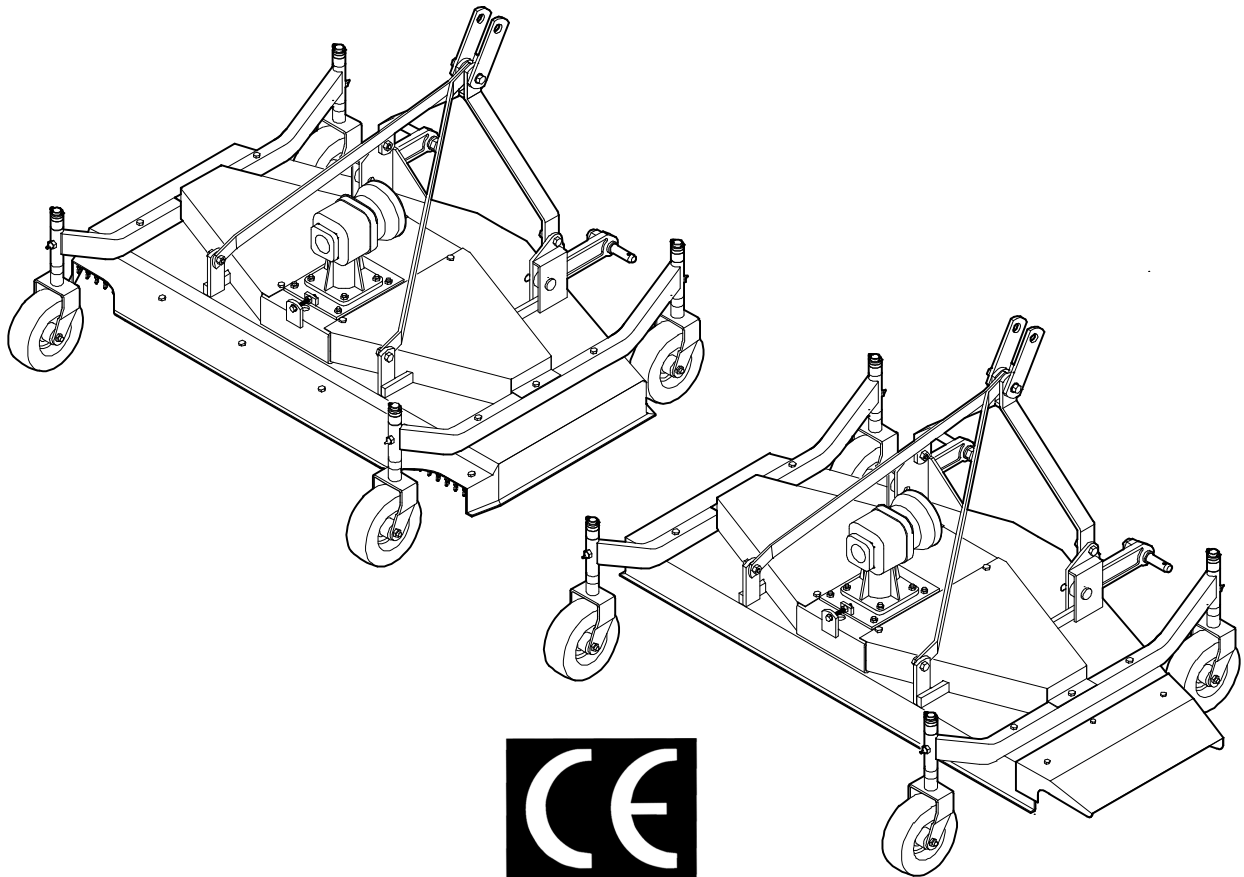


AGRICULTURAL MACHINERY

**sitrex**®  
Spa

# ASSEMBLY, USE AND MAINTENANCE SPARE PARTS LIST



## FINISHING MOWERS SM/120-150-180

02/10

# WARRANTY

On delivery, check that the machine has not been damaged during transport and that all the attachments are present. Claims must be made in writing to the agent within 8 days of receipt.

The manufacturer warrants new machinery at the time of delivery to the original purchaser to be free from defects in material and workmanship if properly set up and operated in accordance with this Operator's Manual.

The manufacturer undertakes to repair or replace free of charge any defective part which should be returned by the purchaser (freight prepaid) and found to be defective by inspection authorized by the manufacturer during the warranty period.

This warranty will be valid for 12 (twelve) months from the delivery of goods to the original purchaser .

In case the customer is not in a position to return the defective part to the manufacturer , the manufacturer cannot be held responsible for any cost due for repair or replacement of any part of the machine , he will only supply the part(s) required for the repair and/or replacement.

The warranty is null and void when it is evident that the machine has been improperly used or however repaired without authorization.

The manufacturer undertakes no responsibility for any obligation or agreement reached by any employers, agents or dealers, which are not in compliance with the above warranty . The manufacturer cannot be held responsible for the consequent damages. This warranty substitutes any other warranty , express or implied , and any other manufacturer's obligation.

**NOTE:**

ALL WARRANTY WORK OR REPAIRS MUST BE APPROVED BY THE MANUFACTURER BEFORE WORK BEGIN.  
ANY WORK OR REPAIRS MADE BEFORE APPROVAL MAY NOT BE COVERED UNDER WARRANTY.  
PLEASE NOTIFY YOUR SALES & SERVICE DEPARTMENT OF THIS POLICY.

## CHAPTER

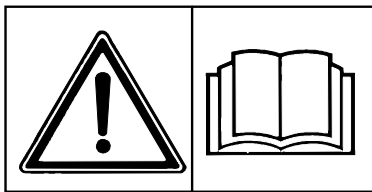
- 1) GUIDE TO THE SIGNS**
- 2) General summary of safety and accident-prevention instructions**
- 3) PRODUCT IDENTIFICATION**
- 4) DELIVERY AND ASSEMBLY**
- 5) ADJUSTMENT, PREPARATION AND USE**
- 6) MAINTENANCE DIRECTIONS**
- 7) SPARE PARTS LIST**

# 1) GUIDE TO THE SIGNS AND SYMBOLS USED ON THE MACHINE

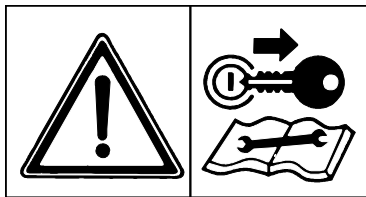
## IMPORTANT

These signs and symbols give information to the operator on how to make the best use of the machine so as to prolong life, avoid damage, optimise work and, above all, to avoid injury to the operator and anyone within range of the machine.

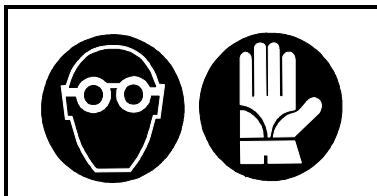
## WARNING SIGNS



1) Before beginning operations, read the instruction manual carefully.

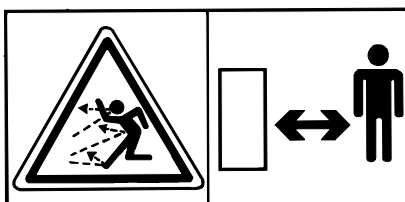


2) Before doing any maintenance or repair work, stop the machine at a suitable spot. Turn off the tractor motor, apply the brake, remove the key from the ignition and consult this manual.

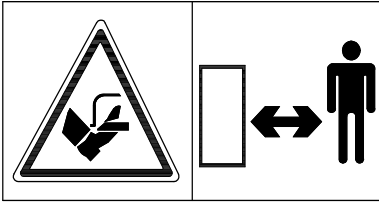


3) This is a warning to use proper accident protection when carrying out maintenance and repairs

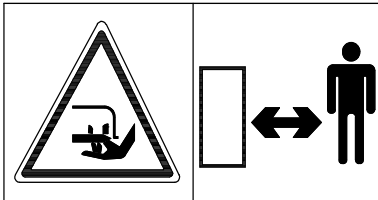
## DANGER SIGNS



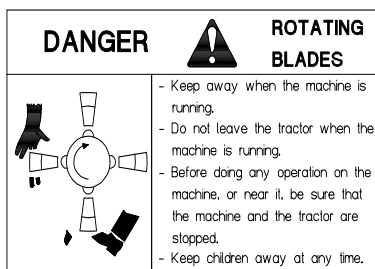
4) Risk of possible ejection of blunt objects.  
Keep a safe distance from the machine.



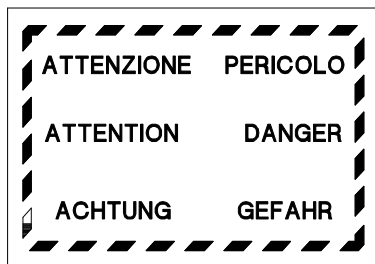
5) Indicates that there is a risk of cutting one's foot. Keep your distance.



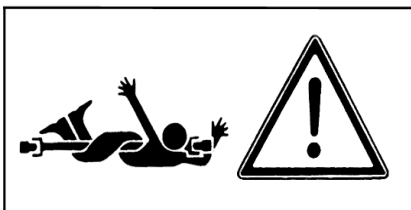
6) Indicates that there is a risk of cutting one's hand. Keep your distance.



7) Warns the danger of cutting blade.



8) Generic danger.



9) Indicates that it is dangerous to touch the cardan (P.T.O.) shaft. For all the other information regarding the cardan shaft, see the use and maintenance booklet specifically for the cardan shaft which, together with this manual, makes up the documentation on safety, use and maintenance of the machine.



10) Indicates an impending dangerous situation which, if not avoided, will cause death or severe personal injury.



11) This indicates a potential danger which, if not avoided, could cause serious personal injury. It also indicates danger when removing protective guards.

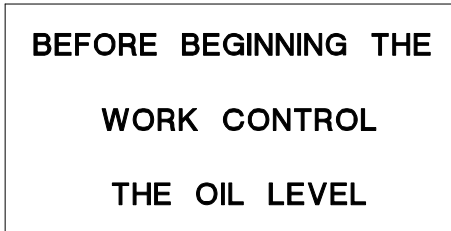


**CAUTION!!!**

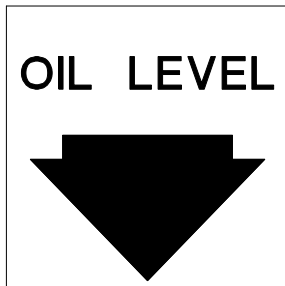


12) Indicates a potentially dangerous situation which, if not avoided, can provoke less severe or minor injuries.

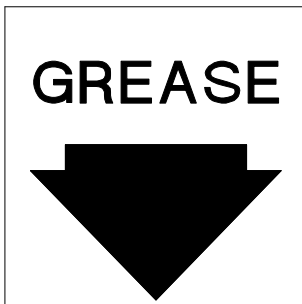
## INDICATION SIGNS



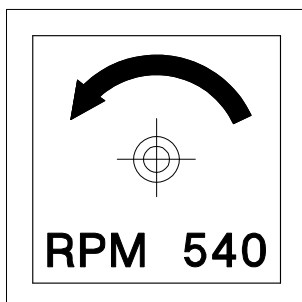
13) This indicates to check the oil level.



14) This indicates the cap oil level.



15) Indicates a greasing points.



16) Shows the direction of rotation of the power takeoff and the maximum number of revolutions.

NOTE: All the signs and symbols so far shown appear in the manual. Some of these are also on the machine: for their location, the diagram on page 10.

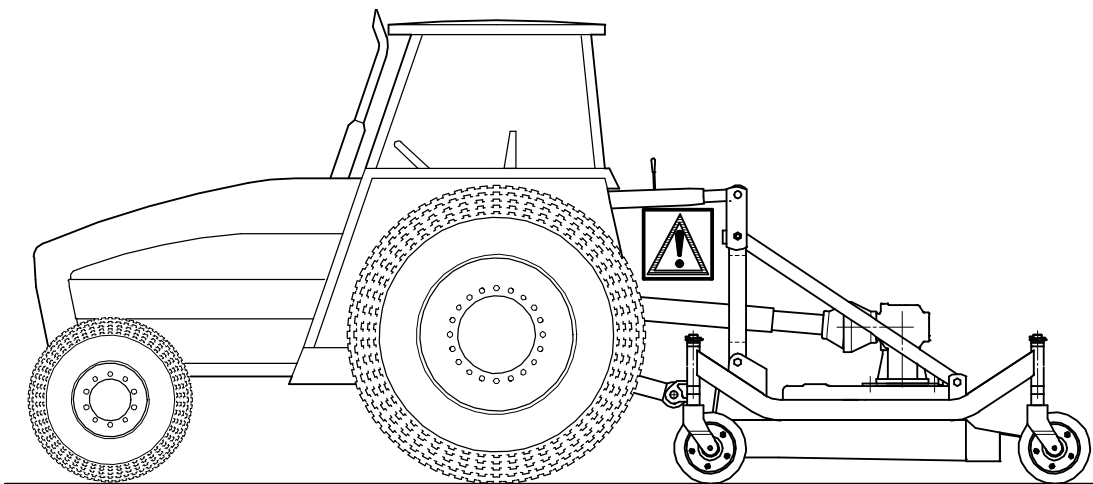
# **GENERAL SUMMARY OF SAFETY AND ACCIDENT PREVENTION INSTRUCTIONS**

**Read all the directions carefully before using the machine. When in doubt, seek advice from the manufacturers.**

The manufacturing company declines all responsibility for non-compliance with the following safety and accident-prevention instructions.

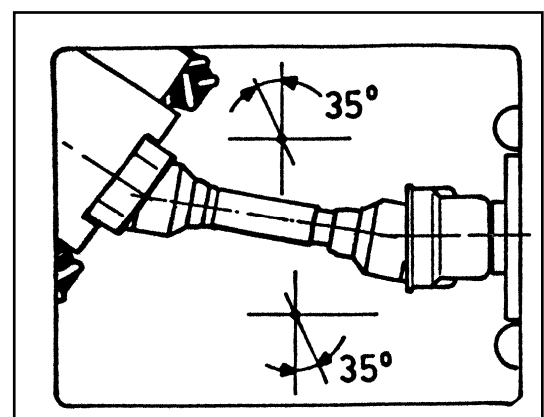
- 1- Pay attention to the danger signs and symbols in this manual and on the machine.
- 2- Do not touch moving parts.
- 3- All work on the machine (including adjustments) must always be carried out with the tractor immobilized and the engine switched off.
- 4- On no account may persons or animals be carried on the machine.
- 5- Driving the tractor with the machine connected is absolutely forbidden to persons lacking suitable experience, or who are in poor health, or who do not have a suitable driving license.
- 6- All accident-prevention measures recommended in this manual should be scrupulously observed.
- 7- Connecting the machine to the tractor creates a different weight distribution on the axles and so it is essential to ensure that the tractor-machine combination is stable in all anticipated working conditions. It is therefore necessary to have exact instructions from the tractor manufacturers. If such instructions are not available, suitable tests should be conducted in safe conditions in order to assess stability.
- 8- Once the machine is connected, it can only be controlled through a Cardan shaft complete with the required overload protection and guard secured with the appropriate small chains. Be aware of the rotational direction of the Cardan shaft.
- 9- Before operating the tractor and machine, check that all transport and operational safety devices are complete and working.
- 10- When driving on public roads, you should comply with the Highway Code regulations for the country concerned.
- 11- Do not exceed the tractor axle maximum weight and the total mobile weight. Heed transport regulations.
- 12- Before starting work, familiarize yourself with the control devices and how they work.
- 13- Wear suitable clothes. Do not wear clothing which is loose or which could become entangled in rotating or moving parts.
- 14- Connect the machine to a suitably powerful tractor by using an appropriate lifting unit and in accordance with instructions.

- 15-**Take maximum care when connecting and disconnecting the machine to and from the tractor.
- 16-**The machine and any road transport attachments must bear the appropriate signs and symbols and have suitable protection.
- 17-**Never leave the driving seat when the tractor is running.
- 18-**It is extremely important to appreciate that road holding, steering and braking may be significantly affected with the machine attached.
- 19-**When turning corners with the machine attached, be aware of the fact that the centrifugal force will alter due to the change in the center of gravity.
- 20-**Before engaging the power takeoff check the preset revolution speed. Do not change speed from 540 rpm to 1000 rpm.
- 21-**Under no circumstances should anybody stand near the machine or any moving parts. It is the duty of the operator to ensure that this requirement is respected.
- 22-**Before leaving the tractor, lower the machine with the lifting unit, stop the engine, apply the parking brake and remove the ignition key from the instrument panel.
- 23-**Under no circumstances should anybody go between the tractor and the machine when the engine is running and the Cardan shaft is engaged, especially without first having applied the parking brake and placed chocks against the wheels.



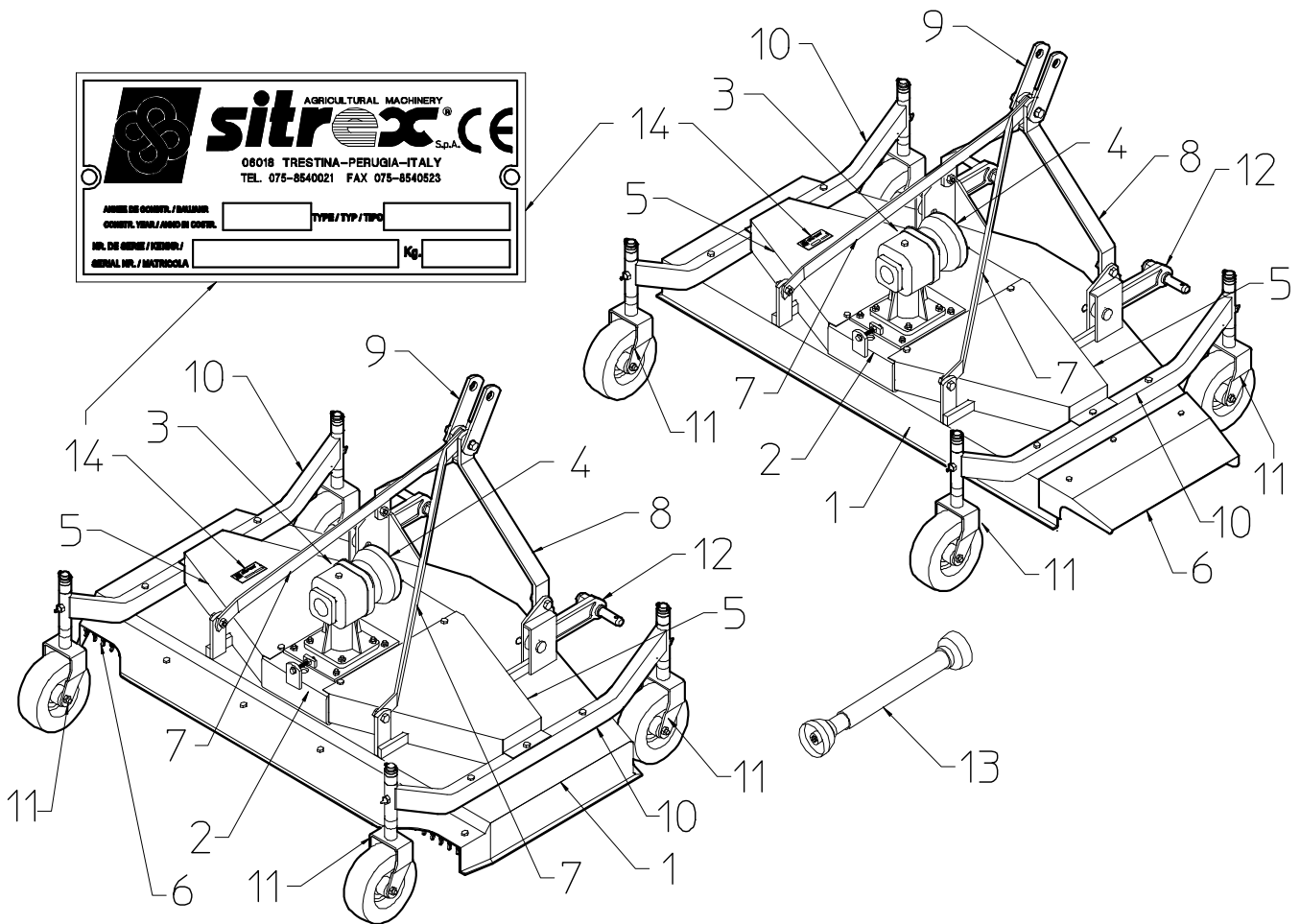
- 24-**Before connecting or disconnecting the machine to or from the 3-point linkage, put the lifting unit lever into the locked position.
- 25-**The connection pins on the machine must match the connection sockets on the lifting unit.
- 26-**During transport, secure the lateral lifting arms with the appropriate chains and tighteners.
- 27-**When the machine is raised during road transport, put the tractor's hydraulic lifter lever into the locked position.

- 28-**Only use the Cardan shaft provided by the manufacturer and, in case of replacement, substitute it with one having the same characteristics.
- 29-**Regularly check all protection on the Cardan shaft. This should always be in excellent condition and securely fixed.
- 30-**It is important to ensure that the protection on the Cardan shaft is complete.
- 31-**Connection and disconnection of the Cardan shaft must be carried out with the engine switched off.
- 32-**Pay particular attention to the correct connection and safety of the Cardan shaft and the power takeoffs on the machine and the tractor.
- 33-**Prevent the cardan shaft protection from rotating using the chains supplied.
- 34-**Before engaging the power takeoff, make sure that there are no people or animals in the vicinity and that the selected engine speed corresponds to that permitted. Never go above the maximum permitted.
- 35-**Do not engage the power takeoff when the engine is not running.
- 36-**Always disengage the power takeoff when the Cardan shaft is at too wide an angle (it should never be more than  $35^{\circ}$  Fig. 3.2) and when it is not in use.
- 37-**Only clean and grease the Cardan shaft when the power takeoff is disengaged, the engine is off, the parking brake is applied and the ignition key is removed.
- 38-**On disconnecting the Cardan shaft, replace the protective hood on the power takeoff shaft.
- 39-**Prolonged use of the machine can cause the drive boxes to become hot. To avoid any risk of getting burnt, avoid touching these areas both during use and some time afterwards.
- 40-**Periodically check screws and nuts for tightness and grip. Tighten if necessary.
- 41-**When carrying out maintenance work or replacing the blades, raise the machine and rest on adequate supports.
- 42-**Use the quantities of grease and oil advised.
- 43-**Spare parts must meet the requirements as defined by the manufacturer. Use only original spare parts.
- 44-**Safety decals must always be clearly visible. They must be kept clean and replaced if they become too illegible (they can be ordered from the agent if necessary).
- 45-**The instruction booklet must be available for the lifetime of the machine.





### 3) PRODUCT IDENTIFICATION



### MAIN PARTS

- |                            |                                |
|----------------------------|--------------------------------|
| 1) MACHINE CASING          | 8) 3 <sup>rd</sup> POINT HITCH |
| 2) GEARBOX SUPPORT         | 9) HITCH                       |
| 3) GEARBOX                 | 10) AXLES                      |
| 4) PROTECTIVE CAP          | 11) WHEEL UNIT                 |
| 5) PROTECTIVE GUARDS       | 12) PIN LEVER                  |
| 6) PROTECTIVE CHAIN        | 13) CARDAN SHAFT               |
| 6) SIDE EJECTOR PROTECTION | 14) IDENTIFICATION PLATE       |
| 7) TIE ROD                 |                                |

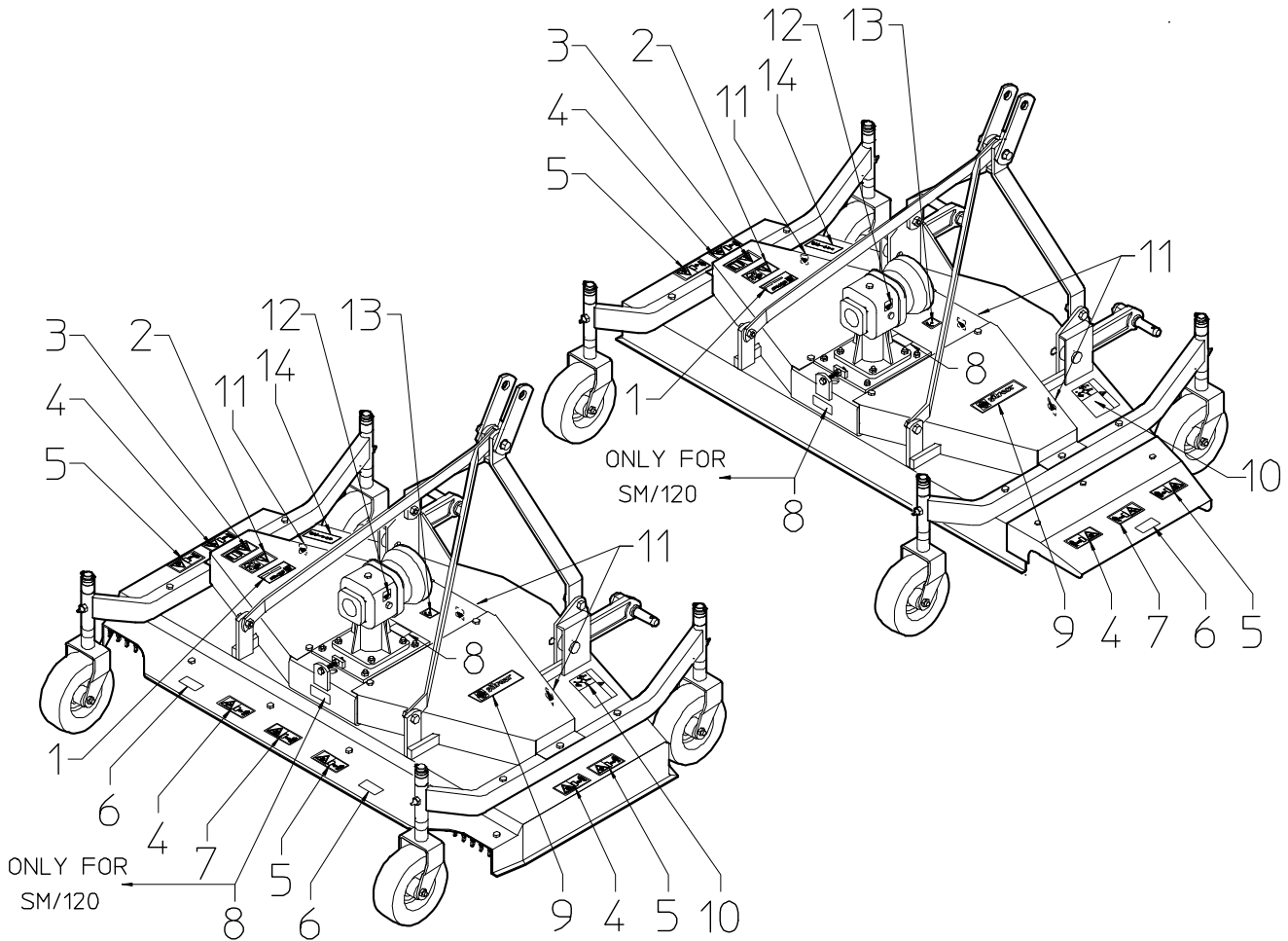
### TECHNICAL DATA

SPECIFICATIONS	SM/120	SM/150	SM/180
Cutting width	48" - 1200 mm	60" - 1500 mm	72" - 1800 mm
Cutting height	1" to 4" - 25 to 100 mm	1" to 4" - 25 to 100 mm	1" to 4" - 25 to 100 mm
Number of blades	3	3	3
Blade RPM	3250	2630	2230
Standard PTO RPM	540	540	540
PTO Tractor requirement	12 to 20 HP	15 to 30 HP	20 to 40 HP
Weight	370 LBS - 168 KG	440 LBS - 200 KG	500 LBS - 227 KG

All data are indicative. Sitrex reserves the right to change them without advance notice.

# LOCATION OF SIGNS AND SYMBOLS ON THE MACHINE

## EMPLACEMENT DES ETIQUETTES SUR LA MACHINE



ITEM	DESCRIPTION	DESCRIPTION
1	Serial number plate	Plaquette d'identification
2	See drawing 2 page 3	Voir dessin 2 page 3
3	See drawing 1 page 3	Voir dessin 1 page 3
4	See drawing 5 page 4	Voir dessin 5 page 4
5	See drawing 6 page 4	Voir dessin 6 page 4
6	See drawing 8 page 4	Voir dessin 8 page 4
7	See drawing 4 page 3	Voir dessin 4 page 3
8	See drawing 13 page 5	Voir dessin 13 page 5
9	Sitrex decal	Etiquette commerciale
10	See drawing 7 page 4	Voir dessin 7 page 4
11	See drawing 15 page 5	Voir dessin 15 page 5
12	See drawing 14 page 5	Voir dessin 14 page 5
13	See drawing 16 page 5	Voir dessin 16 page 5
14	Decal with model of machine	Etiquette du modele de machine

## 4) DELIVERY AND ASSEMBLY

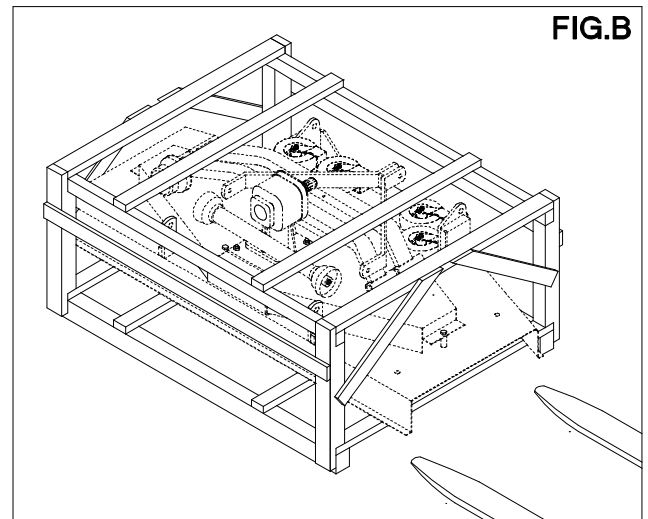
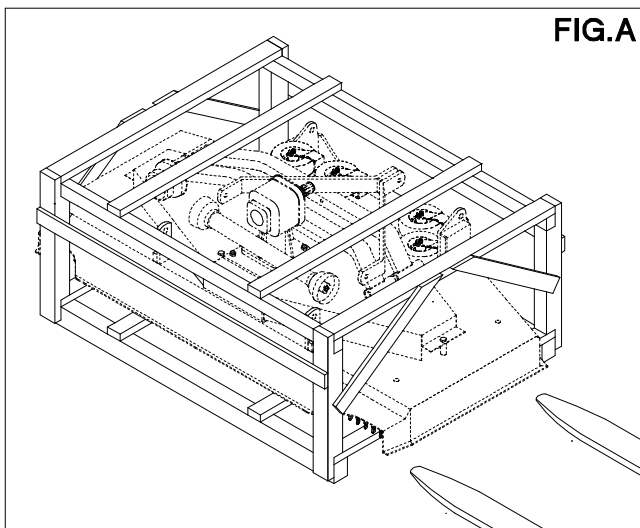


### CHECKING THE MACHINE ON DELIVERY

All parts are carefully checked before dispatch or delivery.

On receiving the machine, ensure that it not been damaged during transport. If damage has occurred, contact the dealer concerned. How the machine is lifted will depend on the model and the type of packing. Details are given below. The packing can vary from country to country depending on transport requirements.

Lift the machine using a forklift truck, crane or other suitable equipment of sufficient capacity after first checking the weight of the configurations in the table given below. Check the stability and positioning of the load on the forklift truck forks or crane hook. Keep the load as low as possible during movement for maximum stability and to ensure that the operator has maximum visibility. If a forklift truck is used, ensure that the forks are positioned as wide apart as possible.



The manufacturer packages the machines according to the following models:

Fig. A: represents the standard packaging for the lawn mower with rear grass ejector.

Fig. B: represents the standard packaging for the lawn mower with side grass ejector.

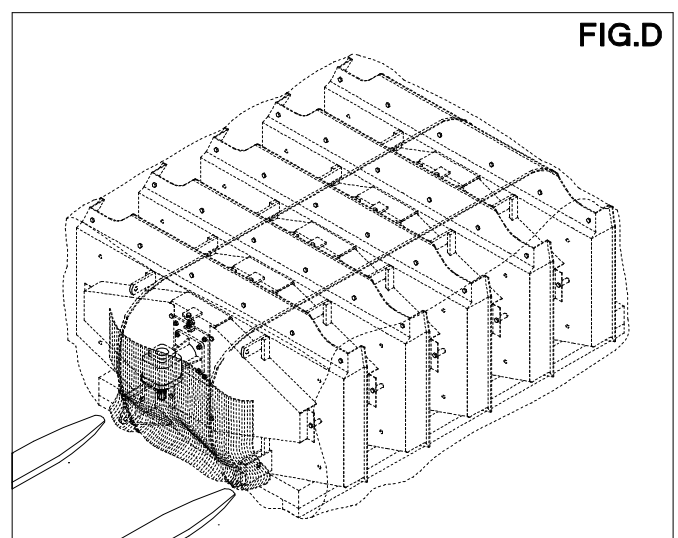
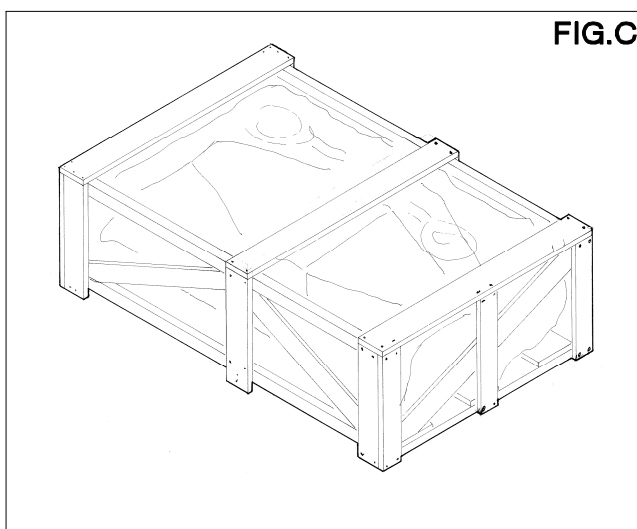


Fig. C: represents the packaging for both the lawn mower with rear grass ejector and lawn mower with side grass ejector.

Fig. D: represents the packaging for both machine types using nylon film (in this case a varying number of machines may be packed together, depending on the quantity ordered by the client and the space available on the transport means).

Notes :

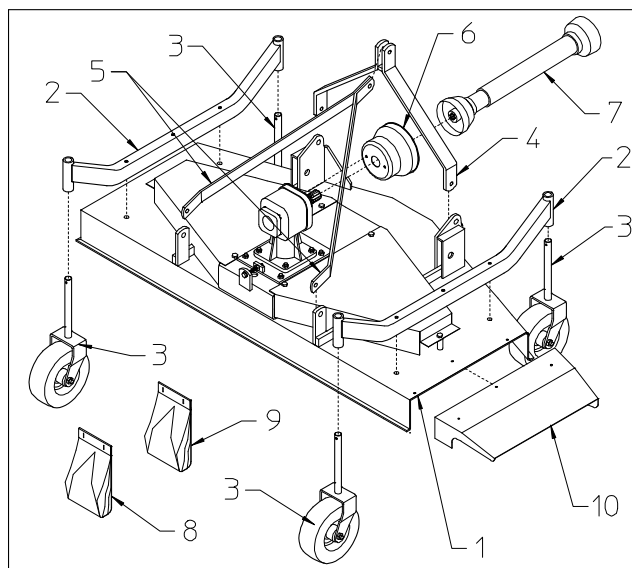
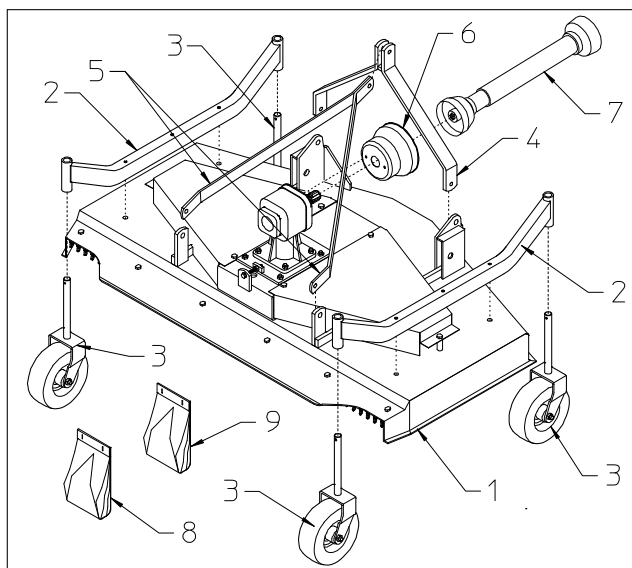
- 1) Slightly different packaging from those represented may occasionally be used, depending on the methods of transport or handling.
- 2) The packing consist mainly of wood which should be disposed of according to the laws in force in the country where the machine is used. The plastic film should also be disposed of according to the laws in force in the country where the machine is used.
- 3) When storing, it is permissible to stack 2-3 crates on top of each other. Make sure that they are perfectly aligned vertically.
- 4) In the case of further transportation, make sure the machine is well secure on the transports means.

PACKAGING TYPE	MACHINE WEIGHT (KG - LBS)					
	SM/120 P	SM/120 L	SM/150 P	SM/150 L	SM/180 P	SM/180 L
FIG.A *a	178 - 390	/	208 - 455	/	239 - 525	/
FIG.B *a	/	163 - 370	/	202 - 445	/	227 - 500
FIG.C *a	200 - 440	186 - 410	229 - 505	221 - 485	266 - 585	256 - 565
FIG.D *b	173 - 380	164 - 360	202 - 445	194 - 425	231 - 475	221 - 485
*a) Weight of crated machine						
*b) Net weight of one machine each model						

All data are indicative. Sitrex reserves the right to change them without advance notice.

**The unpacked machine is composed of the following parts:**

Machine with rear grass ejector		Machine with side grass ejector	
1) Machine casing	Q.ty 1	1) Machine casing	Q.ty 1
2) Wheel axles	Q.ty 2	2) Wheel axles	Q.ty 2
3) Wheel unit	Q.ty 4	3) Wheel unit	Q.ty 4
4) 3rd Point hitch	Q.ty 1	4) 3rd Point hitch	Q.ty 1
5) Tie rods	Q.ty 2	5) Tie rods	Q.ty 2
6) Guard	Q.ty 1	6) Guard	Q.ty 1
7) Cardan shaft	Q.ty 1	7) Cardan shaft	Q.ty 1
8) Bag of nuts and bolts	Q.ty 1	8) Bag of nuts and bolts	Q.ty 1
9) Bag accessories	Q.ty 1	9) Bag accessories	Q.ty 1
		10) Side ejector conveyor	Q.ty 1



The contents of item 8 (bag) are as follows :

Machine with rear grass ejector		Machine with side grass ejector	
Shim $\varnothing 25-35 \times 2$ - 1"-1,38"x0,08"	Q.ty 4	Shim $\varnothing 25-35 \times 2$ - 1"-1,38"x0,08"	Q.ty 4
Shim $\varnothing 25-35 \times 6$ - 1"-1,38"x0,24"	Q.ty 4	Shim $\varnothing 25-35 \times 6$ - 1"-1,38"x0,24"	Q.ty 4
Shim $\varnothing 25-35 \times 12$ - 1"-1,38"x0,47"	Q.ty 4	Shim $\varnothing 25-35 \times 12$ - 1"-1,38"x0,47"	Q.ty 4
Shim $\varnothing 25-35 \times 25$ - 1"-1,38"x0,98"	Q.ty 4	Shim $\varnothing 25-35 \times 25$ - 1"-1,38"x0,98"	Q.ty 4
Shim $\varnothing 25-35 \times 32$ - 1"-1,38"x1,26"	Q.ty 4	Shim $\varnothing 25-35 \times 32$ - 1"-1,38"x1,26"	Q.ty 4
Screw M12x35	Q.ty 4	Screw M12x35	Q.ty 4
Screw M12x90	Q.ty 1	Screw M12x90	Q.ty 1
Screw M10x80	Q.ty 4	Screw M10x80	Q.ty 4
Screw M8x16	Q.ty 2	Screw M8x20	Q.ty 3
Self locking nut M12	Q.ty 5	Screw M8x16	Q.ty 2
		Self locking nut M12	Q.ty 5
		Nut M8	Q.ty 3
Flat washer $\varnothing 10,5$	Q.ty 4	Flat washer $\varnothing 10,5$	Q.ty 4
Flat washer $\varnothing 8,5$	Q.ty 2	Flat washer $\varnothing 8,5$	Q.ty 5
Spring washer $\varnothing 10,5$	Q.ty 4	Spring washer $\varnothing 10,5$	Q.ty 4
		Spring washer $\varnothing 8,5$	Q.ty 3
Grease nipple M6	Q.ty 4	Grease nipple M6	Q.ty 4
Split pin $\varnothing 8$ (BS 8)	Q.ty 4	Split pin $\varnothing 8$ (BS 8)	Q.ty 4
Split pin $\varnothing 3$ (BC 3)	Q.ty 2	Split pin $\varnothing 3$ (BC 3)	Q.ty 2
Pin with grower and nut	Q.ty 2	Pin with grower and nut	Q.ty 2
3rd Point bush	Q.ty 2	3rd Point bush	Q.ty 2
Pin $\varnothing 19$	Q.ty 2	Pin $\varnothing 19$	Q.ty 2

The contents of item 9 (bag) are as follows:

Standard mowers

Front mowers

		3rd Hitch	Q.ty 1
		Lower hitch	Q.ty 2
		Counterplate	Q.ty 2
3rd Hitch	Q.ty 1	Screw M12x70	Q.ty 4
Lower hitch	Q.ty 2	Nuts M12 DIN 980	Q.ty 4
		Flat washer $\varnothing 13$	Q.ty 4
		Pin $\varnothing 22 \times 110$	Q.ty 2
		Split pin $\varnothing 10$ (BS 10)	Q.ty 4



## ASSEMBLY

Assembly is highly dangerous and must be carried out in strict accordance with the following instructions. We recommend that assembly be performed by qualified personnel. We also recommend that assembly be carried out in a flat, open area with no people (particularly children) nearby who could be severely injured if they were to touch or move any parts of the machine.



### STEP “A”

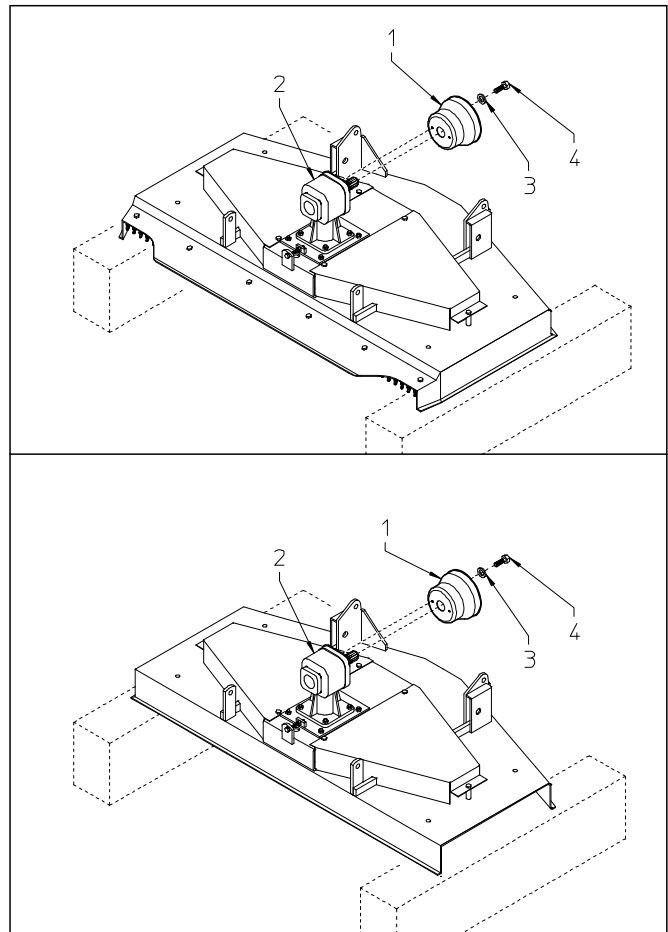
Keep the main casing approx. 300-500 mm (12”-20”) above the ground, resting it on suitable supports or on the forks of a forklift.

Fit the guard 1 to the central gearbox 2 using the flat washers 3 and the screws 4.

In this step, you will use:

Item 3: 2 screws M8x16 (0.31” x 0.63”)

Item 4: 2 flat large washers  $\varnothing 8.5$  ( $\varnothing 0.33$ ”)



## STEP “B”

Preliminarily remove screws 1 and bushings 2 used for shipping.

Fit the axles 4 to the machine casing 3 using flat washers 6, spring washers 5 and screws 1.

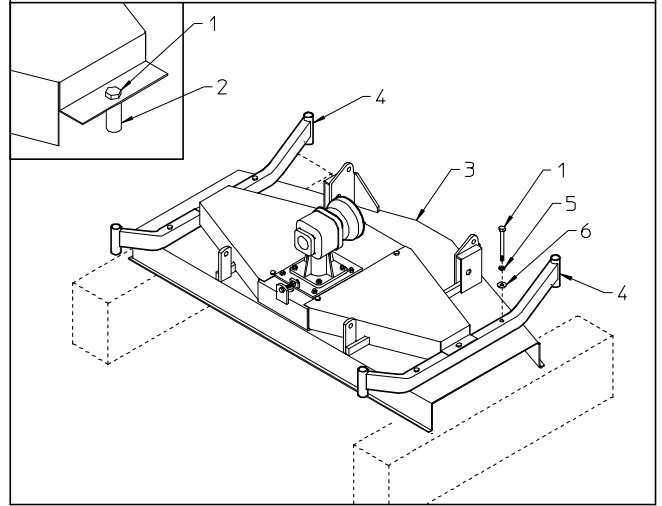
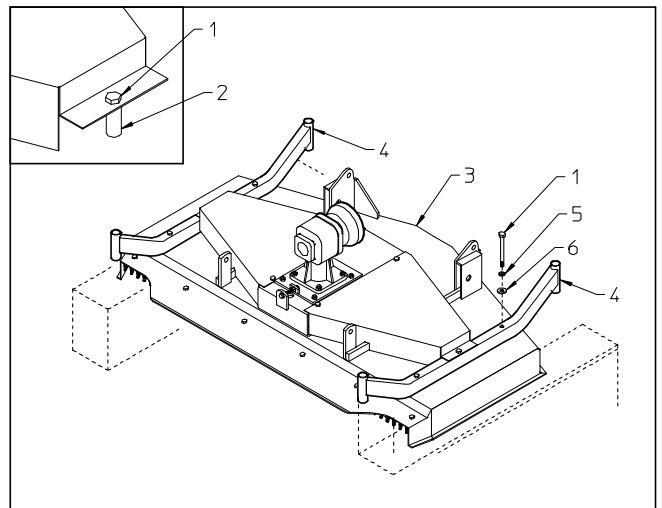
In this step, you will use:

Item 1: 6 screws M10x80 (0.39” x 3.15”)

Item 5: 6 spring washers  $\phi 10.5$  ( $\phi 0.41$ ”)

Item 6: 6 flat large washers  $\phi 10.5$  ( $\phi 0.41$ ”)

(Reuse the two M10x80 screws removed, pos. 1; the two bushings are no longer needed).



## STEP “C”

The order of assembly for spacers 2-3-4-5-6 depends on the cutting height you wish to obtain (see pg.23). A standard assembly is described in this step.

Add spacers 2-3 to the wheel assemblies 1 and then insert the entire assembly in the axle seats 7. Add spacers 4-5-6 to the wheel assemblies 1 now inserted in the axle seats 7 and fasten the entire unit with split pins 8. Fit the grease nipples 9 to the axle seats 7.

In this step, you will use:

Item 2: 4 shim  $\phi 25-35 \times 32$  ( $\phi 1$ ”-1.38”x 1.26”)

Item 3: 4 shim  $\phi 25-35 \times 25$  ( $\phi 1$ ”-1.38”x 1”)

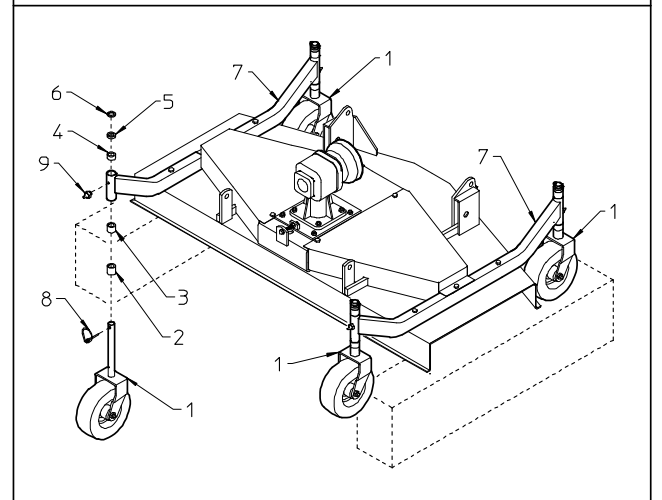
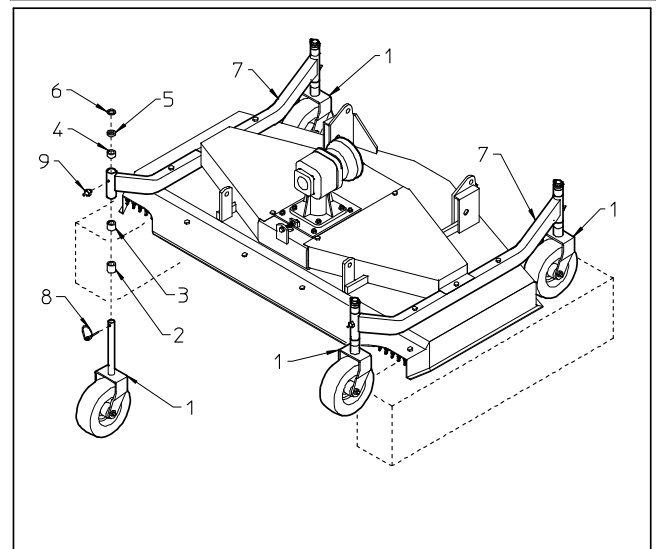
Item 4: 4 shim  $\phi 25-35 \times 12$  ( $\phi 1$ ”-1.38”x 0.47”)

Item 5: 4 shim  $\phi 25-35 \times 6$  ( $\phi 1$ ”-1.38”x 0.24”)

Item 6: 4 shim  $\phi 25-35 \times 2$  ( $\phi 1$ ”-1.38”x 0.08”)

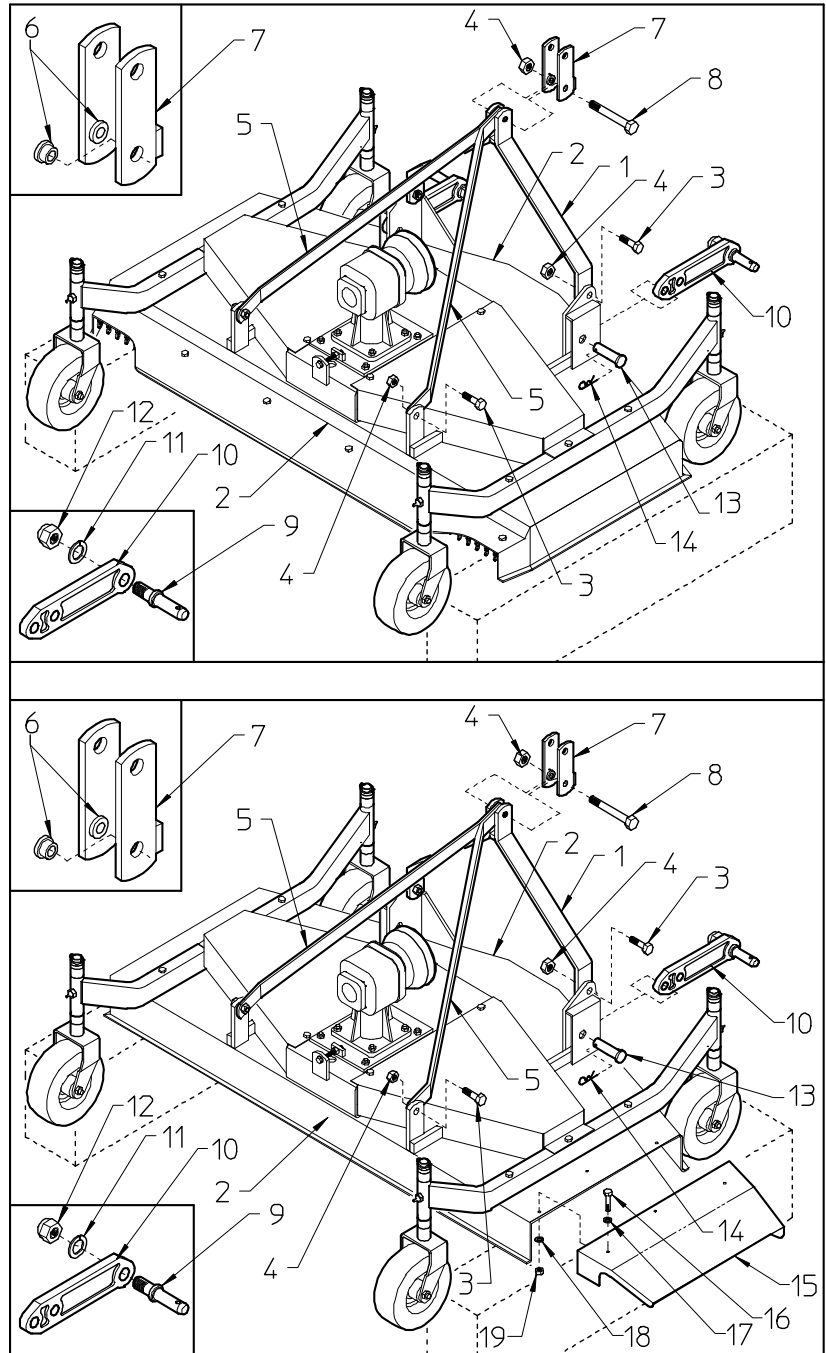
Item 8: 4 split pin  $\phi 8$  ( $\phi .31$ ”)

Item 9: 4 grease nipple M6 (0.24”)



## STEP “D”

Fix the 3<sup>rd</sup> point hitch 1 to the correct seats on the main casing 2 using the screws 3 and nuts 4. Do not fully tighten nuts 4. Fix the tie rods 5 to the correct seats on the main casing 2 using the screws 3 and nuts 4. Do not fully tighten nuts 4. First fix the bushes 6 onto the hitch 7. The lug of the bush 6 must be positioned on the inside of the hitch 7. The hitch 7 with secured bushes 4 must be fixed to the 3<sup>rd</sup> point hitch 1 and tie rods 5 using screw 8 and nut 4. Now fully tighten the nuts 4. Fit the levers 10 to the correct seats on the main casing 2 and secure it with the pins 13 and split pins 14. Fix pin 9 on to the lever 10 and lock it with spring washer 11 and nuts 12. N.B.: There are two holes at one end of lever 10 in order to attach it to the machine. To choose which holes should be used, see page 24.



### Only for machines with side grass ejector.

Attach the side ejector piece 15 to the main casing 2 using the screws 16, the flat washers 17, the spring washers 18 and the nuts 19.

In this step, you will use:

Item 3: 4 screws M12x35 (0.47" x 1.38")  
 Item 4: 5 nuts M12 (0.47")  
 Item 8: 1 screw M12x90 (0.47" x 3.54")  
 Item 11: 2 spring washers  $\varnothing 23$  ( $\varnothing 0.91$ ")  
 Item 12: 2 nuts M22x1.5 (0.87" x 0.06")  
 Item 13: 2 pins  $\varnothing 19$ -25x50 (0.73"-1"x 2")  
 Item 14: 2 split pins  $\varnothing 3$  ( $\varnothing 0.12$ ")  
 Item 16: 3 screws M8x20 (0.31" x 0.79")

Item 17: 3 flat washers  $\varnothing 8.5$  ( $\varnothing 0.33$ ")  
 Item 18: 3 spring washers  $\varnothing 8.5$  ( $\varnothing 0.33$ ")  
 Item 19: 3 nuts M8 (0.31")



## STEP "E" SPECIAL MODELS

For the assembly of the front version of the mower, the preceding steps apply. Here we describe briefly what is different.

Fasten brackets 1 and counter plates 2 to part "A" of the machine body using screws 3, washers 4 and nuts 5.

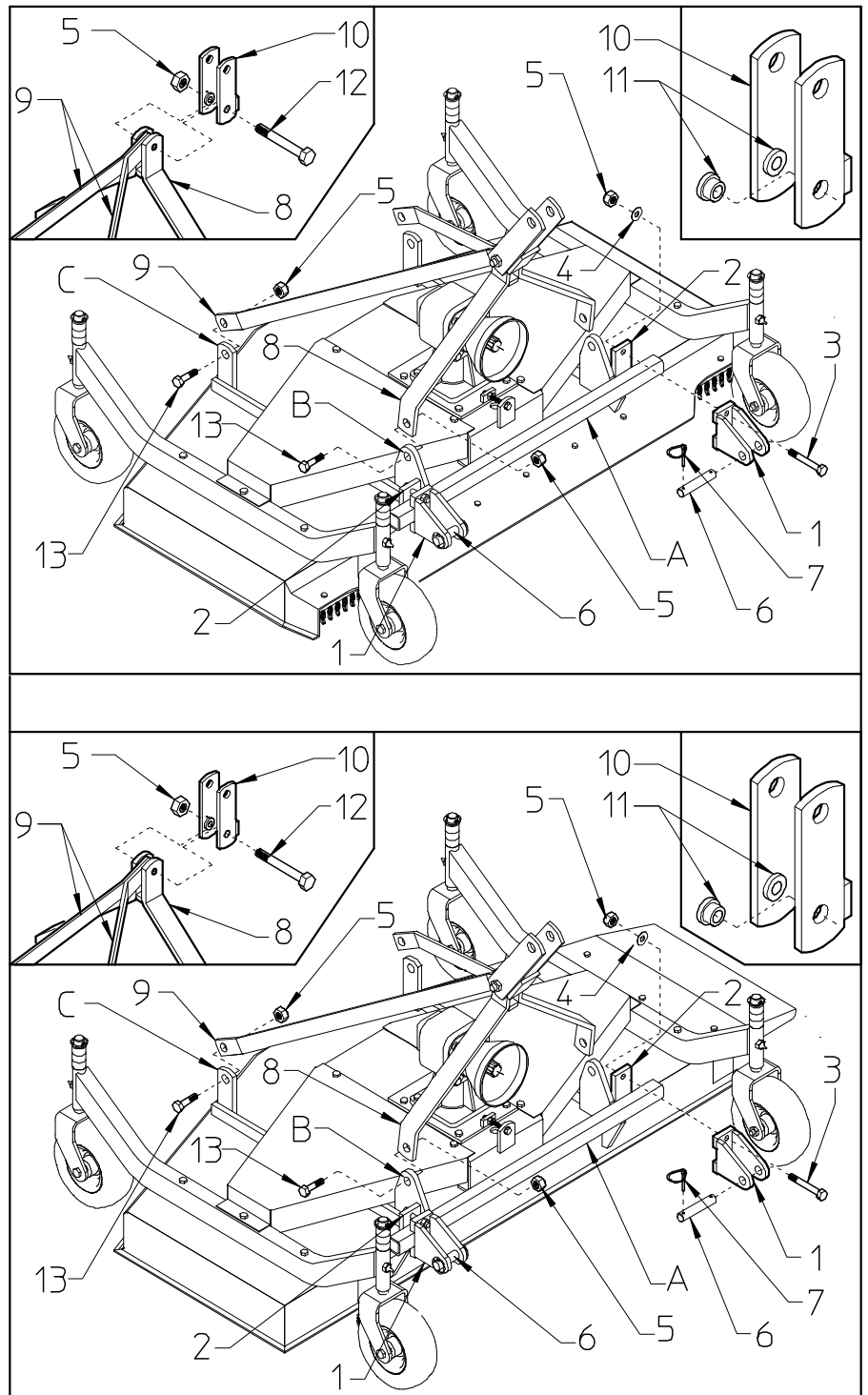
Insert pin 6 into bracket 1 and fasten with split pins 7. Fix the 3<sup>rd</sup> point hitch 8 to the correct seats "B" on the main casing using the screws 14 and nuts 5.

Do not fully tighten nuts 5. Fix the tie rods 9 to the correct seats "C" on the main casing using the screws 14 and nuts 5.

Do not fully tighten nuts.

To assemble together pieces 5(1 pc.)-8-9-10-11-12-13 shown in the details, follow the instructions given in step "D".

When all pieces are assembled, finish tightening nuts 5.



In this step, you will use:

Item 3: 4 screws M12x70 (0.47" x 2.76")

Item 4: 4 washers  $\phi 13$  ( $\phi 0.51$ ")

Item 5: 9 nuts M12 (0.47")

Item 6: 2 pins  $\phi 22 \times 110$  (0.87" x 4.33")

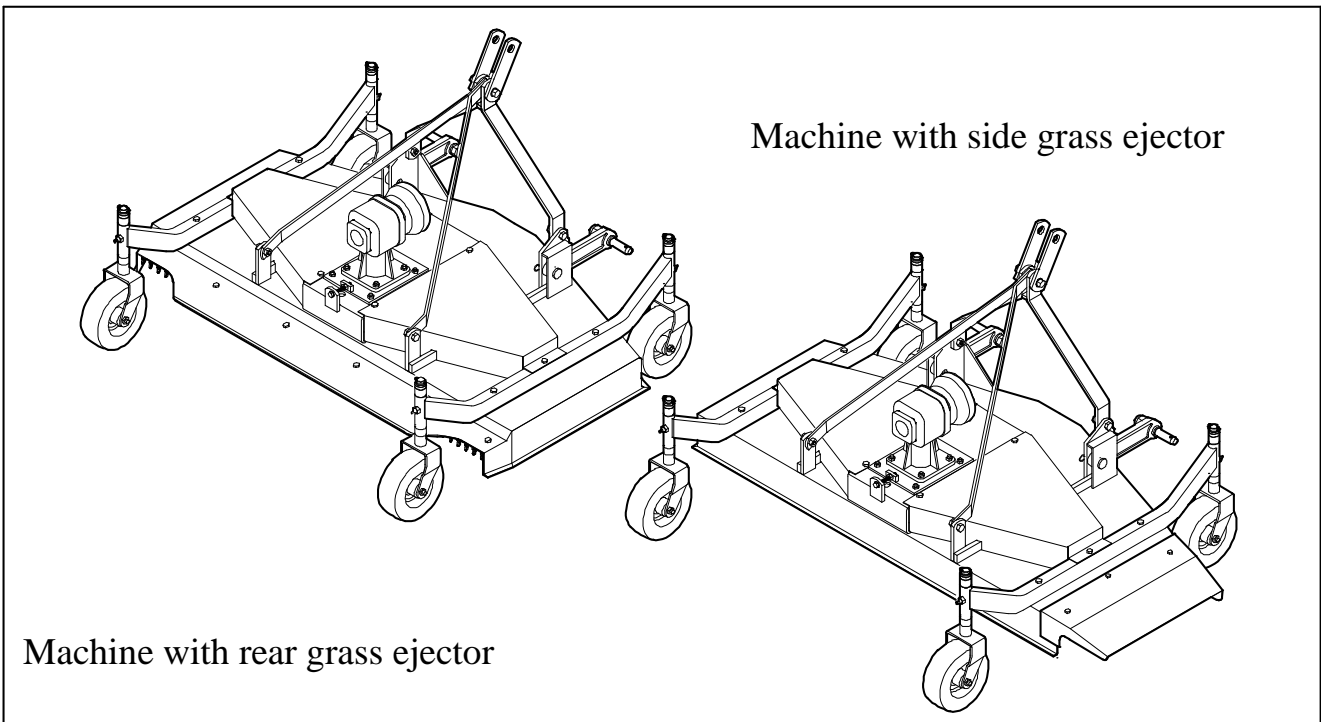
Item 7: 4 split pins  $\phi 10$  ( $\phi 0.39$ ")

Item 12: 1 screw M12x90 (0.47" x 3.54")

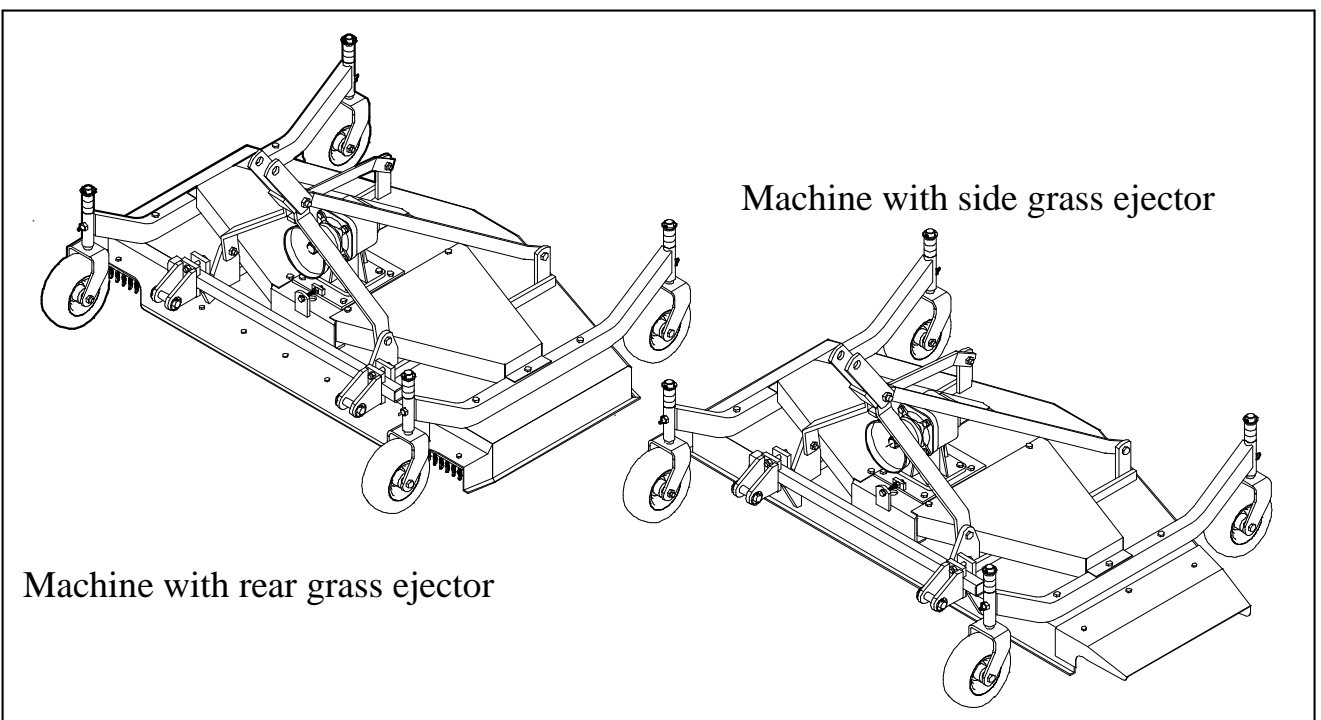
Item 13: 4 screws M12x35 (0.47" x 1.38")

Assembly is now completed, and the machine should appear as shown in the illustration.

## STANDARD MODELS



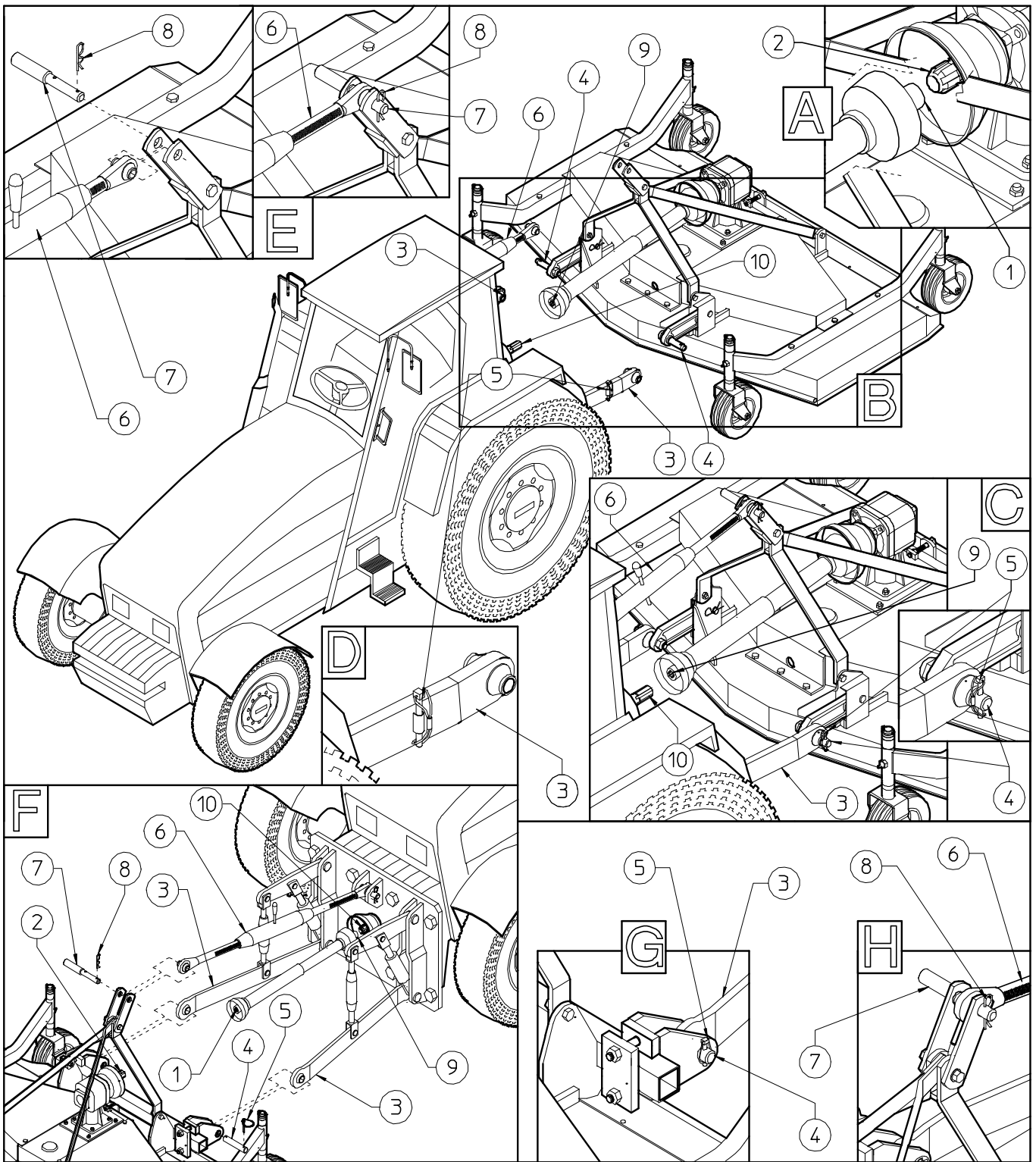
## SPECIAL MODELS



## 5) ADJUSTMENT, PREPARATION AND USE

### INTRODUCTION

Connection to the tractor is highly dangerous. Take great care and carry out the entire operation in strict compliance with the following instructions. Nobody should go near the area between the tractor and the machine. Check that all warning and danger signs are in place and legible. Check that the tractor is in good running order. Refer to the tractor operator's manual.



## ATTACHMENT OF MACHINE TO THE TRACTOR

**Note:** If a safety system is provided, this should be fitted to the machine shaft, not to the tractor shaft. Apply the end 1 of the cardan to the socket on the machine 2 (see Fig. A-F). Connect the lifting arm 3 to the pins 4 of the machine and fasten with the split pins 5 (see Fig. B-C-D-F-G). Connect the tie-rod (or hydraulic cylinder) 6 to the 3<sup>rd</sup> point hitch and fasten with the pin 7 and the split pin 8 (see Fig. B-C-E-F-H). Connect part 9 of the cardan to the socket on the tractor 10 (see Fig. B-C-F-H). (Fig. F-G-H are for the front-attachment models)

## CONNECTING CARDAN SHAFT INFORMATION

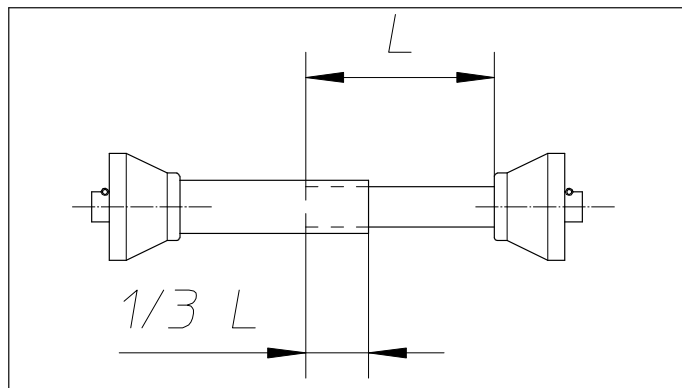
More detailed information may be found in the cardan shaft manual which, together with this manual, is an essential part of the accident-prevention documentation. It is your responsibility to read and comply with this documentation. If information given in this manual should conflict with that given in the cardan shaft manual, you should follow the instructions given by the cardan shaft manufacturer.

After having connected the cardan shaft to the shaft of the machine gearbox and to the tractor PTO as described previously, make sure that when working with or transporting the mower no situations occur in which the maximum extension or minimum contraction of the cardan shaft does not exceed the conditions described in the notes below.

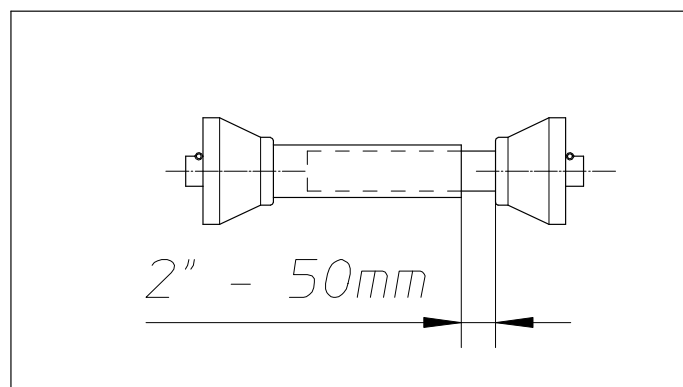
During both transport and use, avoid conditions where the cardan shaft is extended to the maximum. In all working conditions, the telescopic tubes must overlap by at least  $\frac{1}{3}$  of their length (fig. 1). Conversely, when the cardan shaft is contracted to the maximum, there should still be a gap of approximately 50mm-2" (Fig. 2).

**It is absolutely forbidden to use the machine if the application of the cardan shaft isn't included in the previously described and illustrated conditions (see figure 1-2).**

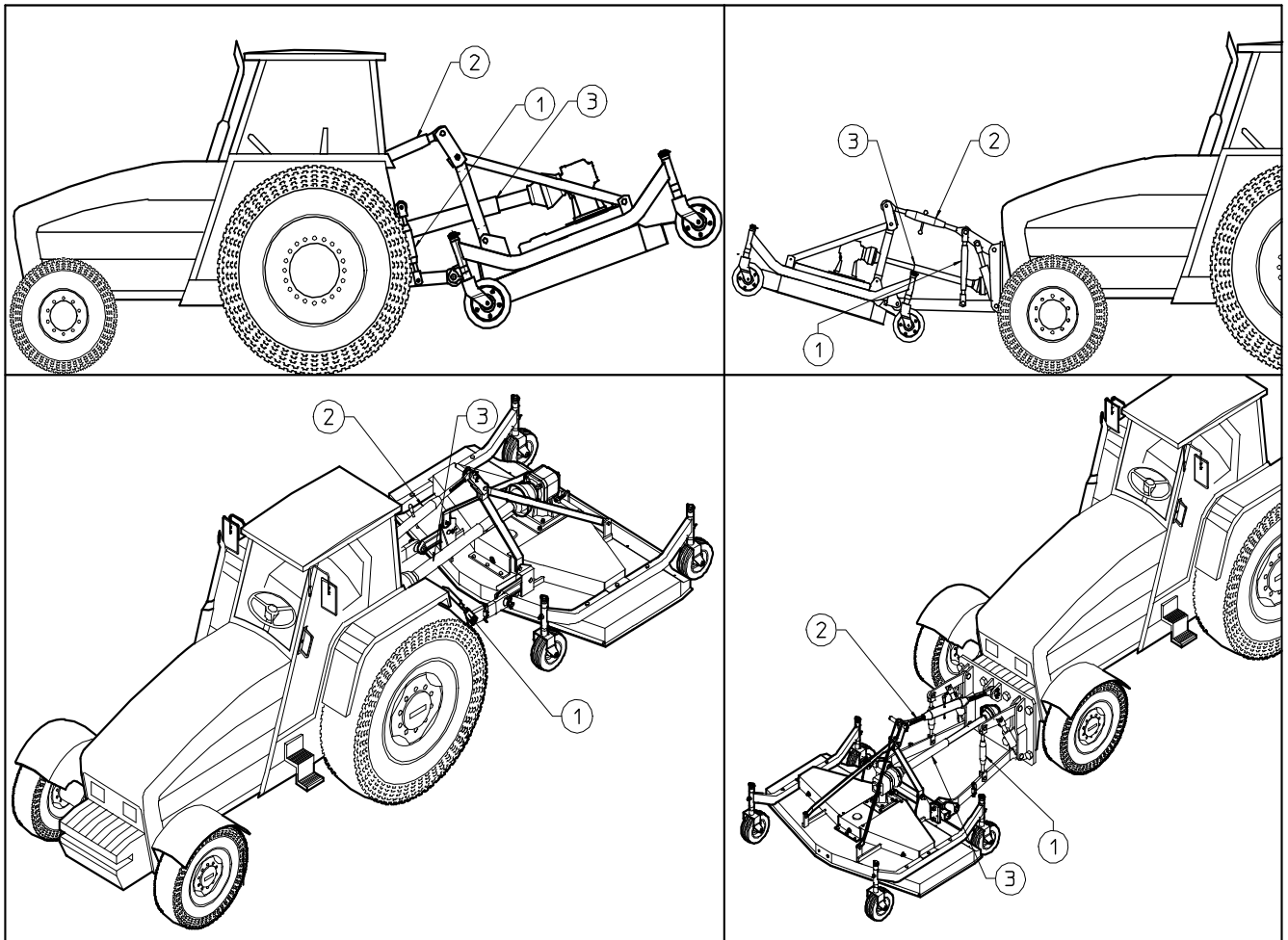
**Fig.1**



**Fig.2**



## TRANSPORT INSTRUCTIONS FOR FINISHING MOWERS



Once the machine is attached to the tractor, before proceeding with the transport check to make sure all attachment pins are fully inserted in place and correctly fastened with the fastening pins. For transport, the machine must be raised by the tractor power-lift. If when raised the position reached is not satisfactory, adjust the power-lift adjustment rods 1-2. Check that the cardan shaft 3 does not interfere with the 3rd point hitch when the machine is raised.

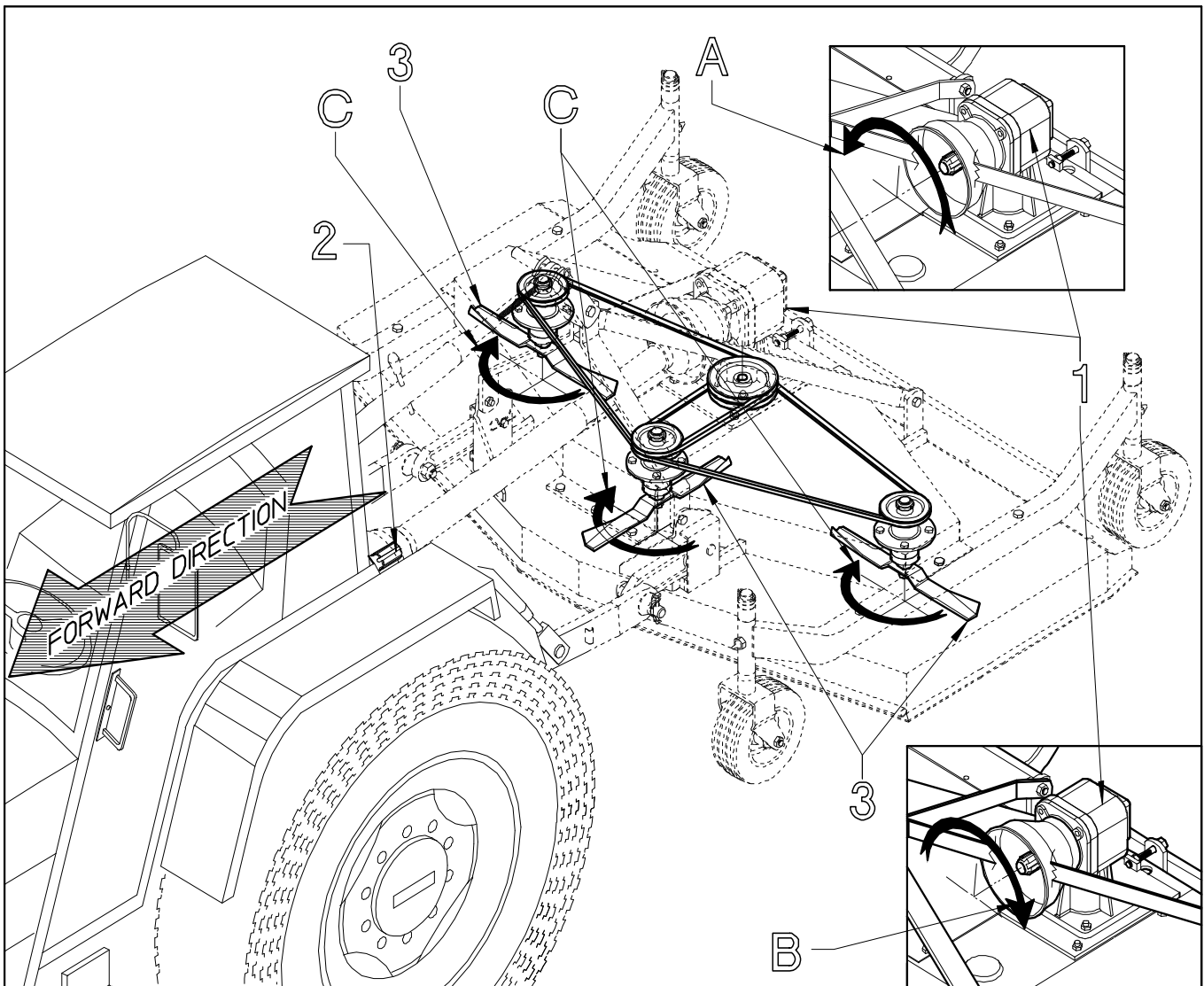
### TRANSPORT BY ROAD

After the machine has been attached to the tractor as previously described and before transporting it to or from fields or any other workplace, the following instructions should be heeded:

Before setting off with the machine attached to the tractor, check the local road transport regulations. During transport keep the machine fully raised with the power takeoff disengaged and the lifting unit immobilised. Ensure that nobody leans against, or climbs on to, the machine during transport. The finishing mowers is an agricultural machine NOT designed for persons or goods. Consult the tractor maintenance and user manual where necessary. Maintain constant control over the vehicle and ensure that you know how to stop the tractor quickly and switch off the engine. When on a public road, observe all highway code regulations. Drive near the edge of the road and try not to obstruct traffic. Do not park the tractor and/or the machine where it might obstruct, or be a danger to, any public right of way. Avoid going onto a public road if the tractor or machine is very dirty you could leave a trail of soil, grass and other matter which could dirty the road and obstruct normal traffic.

## USE IN THE FIELD

Once the machine is prepared, before beginning work read the chapter on “General Instructions for Use in the Field” (see pg. 29)



## PRELIMINARY CHECK

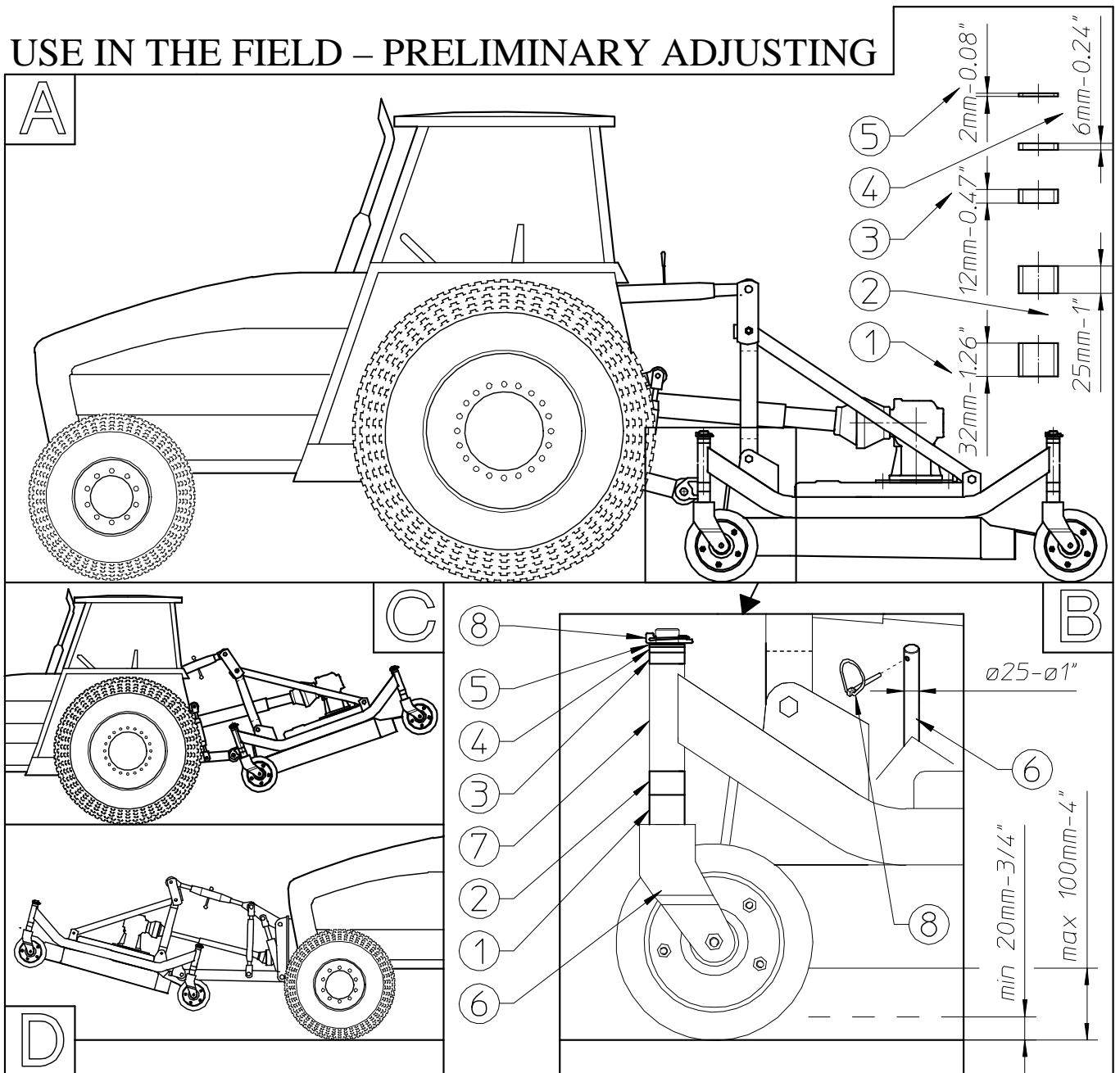
Check that, depending on which is the case, the rotation direction “A” (counterclockwise – standard) or “B” (clockwise) of the PTO of gearbox 1 matches that of the tractor PTO 2.

Check that, depending on which is the case, the number of RPMs 540-1000-2000 counterclockwise or 540-1000-2000 clockwise of the PTO of gearbox 1 matches that of the tractor PTO 2.

Check that, regardless of the number of RPMs and the rotation direction of gearbox PTO 1 and tractor PTO 2, the rotation direction of the blades 3 is **always** that indicated by the arrows “C”.

Note: These preliminary checks must be done for machines with rear grass ejector as well as for machines with side grass ejector and for front finishing mowers.

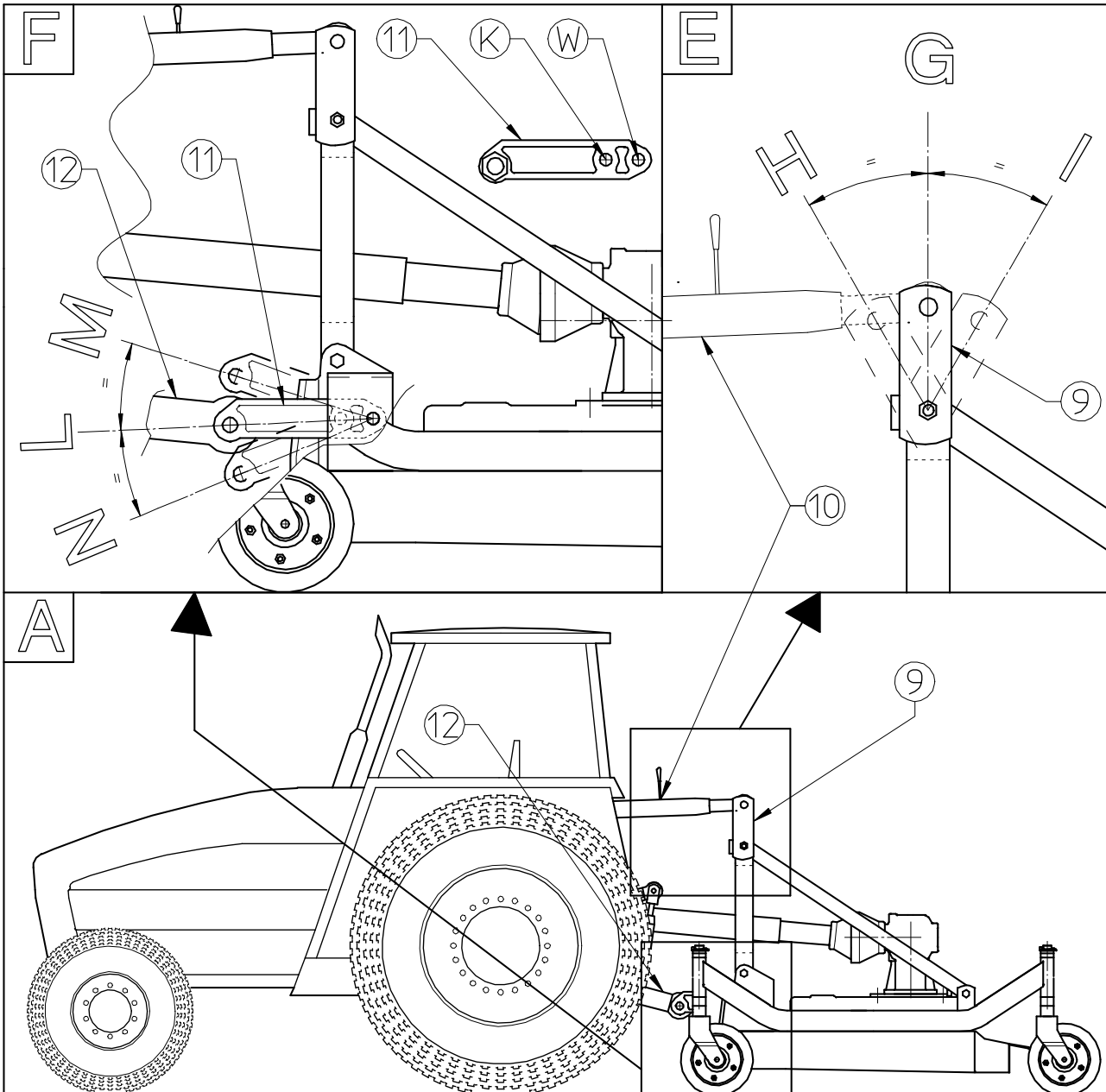
## USE IN THE FIELD – PRELIMINARY ADJUSTING



## ADJUSTING THE CUTTING HEIGHT

To adjust the cutting height in regard to the height of the grass to be mowed, spacers 1-2-3-4-5 must be suitably placed above and/or below the axle bushings 7 (see Fig. A-B). By suitably combining spacers 1-2-3-4-5, a minimum cutting height of about 20 mm - 3/4" and maximum cutting height of about 100 mm - 4" can be obtained (see Fig. A-B). The minimum cutting height is obtained by putting spacers 1-2-3-4 above the axle bushings 7. The maximum cutting height is obtained by putting spacers 1-2-3-4 below the axle bushings 7. Spacer 5 is always kept above the axle bushing 7 when spacers 1-2-3-4 are put below the bushing, and below the bushing when spacers 1-2-3-4 are placed above, as it must act as an antifricition washer. To carry out this operation, the machine must be in a suitable area and must be raised by the tractor power-lift (see Fig. C-D) in order to facilitate the removal of wheel assembly 6 from axle 7. To do this it is necessary to remove split pin 8, then slide out 6 and the spacers 1-2-3-4-5 from axle 7. At this point suitably arrange the spacers 1-2-3-4-5 so as to obtain the desired cutting height, and then fasten the wheel assembly 6 and spacers 1-2-3-4-5 to axle 7 using the split pin 8.

## USE IN THE FIELD – PRELIMINARY ADJUSTING



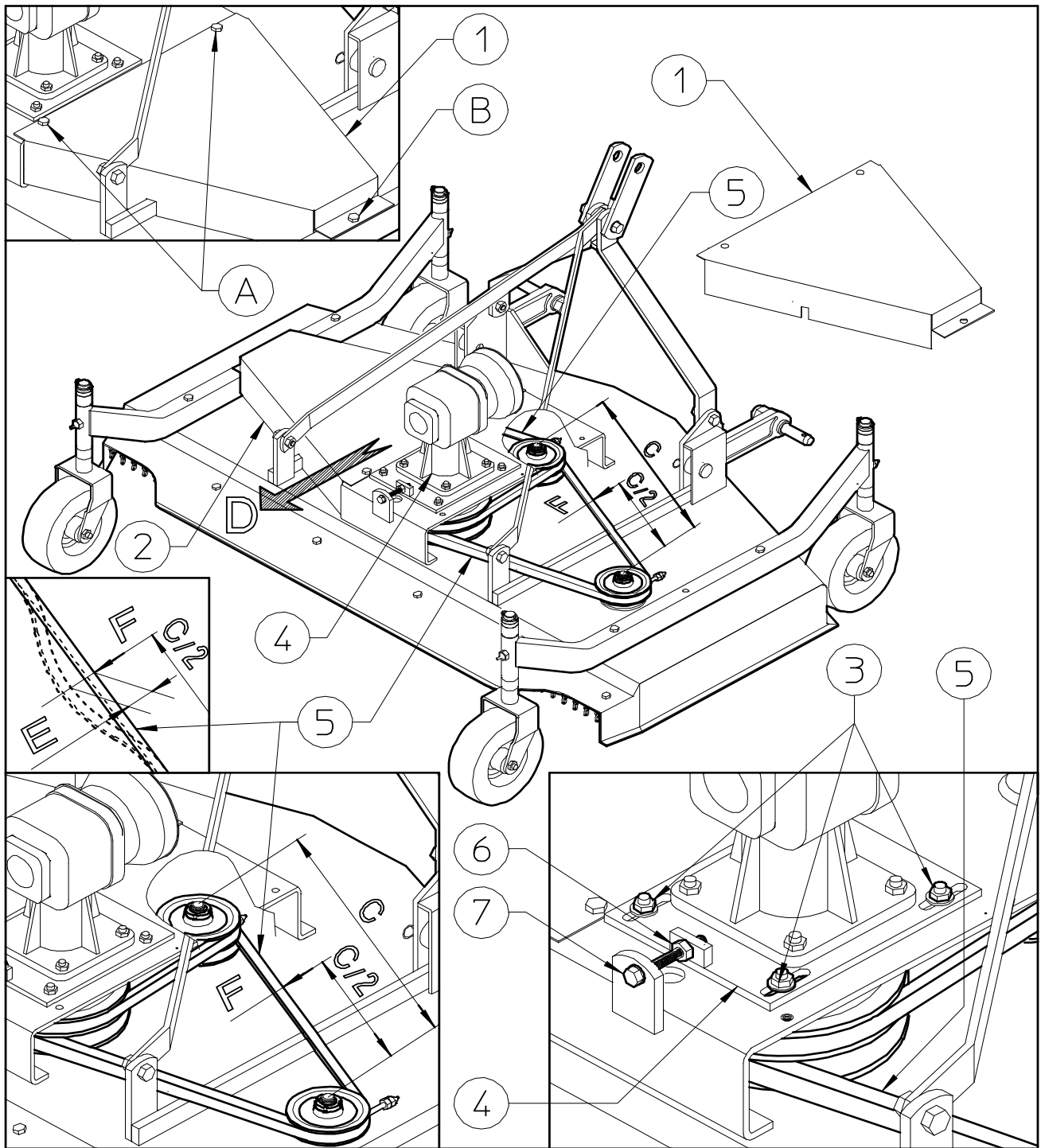
### ADJUSTMENT OF THE UPPER FLOATING HITCH

With the mower and tractor standing on a flat, level surface, adjust the upper floating hitch 9 (see Fig. A-E) so that it is in the middle position “G” between the farthest forward “H” and farthest rearward “I” positions (see Fig. E). This allows the machine to adapt to the terrain during operation. The middle position “G” is obtained by adjusting the 3rd point hitch rod 10 (see Fig. A-E).

### ADJUSTMENT OF THE LOWER FLOATING HITCH

The lower floating hitch 11 has two holes due (K-W) so that it can be adapted to fit various types of lifting arms. Normally, floating hitch 11 is fastened to the mower frame using hole “W”. If you have to mount lever 11 on hole “K” see pg. 16 step “D”. With the mower and tractor standing on a flat, level surface, adjust the lower floating hitch 11 (see Fig. A-F) so that it is in the middle position “L” between the uppermost “M” and lowermost “N” positions (see Fig. F). This allows the machine to adapt to the terrain during operation. The middle position “L” is obtained by adjusting the rods of the lifting arms 12 (see Fig. A-F).





## ADJUSTING THE BELT TENSION

The tension of the belts 5 is set correctly by the manufacturer, but the tension must be checked periodically according to the time schedule given on pg. 31, and reset to the proper tension if necessary. This check is very important, because belts that are too loose or too tight wear out quickly and impair the performance of the mower. This operation must be done using maximum caution, and always with the tractor shut off and the cardan shaft disconnected. First the protective covers 1-2 must be removed by unscrewing the screws at points A-B. Next, loosen the nuts 3 that fasten the slide-reduction unit-pulley assembly 4. Then loosen nut 6 and bring it back approx. 5/6 mm-1/4". Now tighten screw 7 so as to make the assembly 4 slide in direction "D". In order to determine the proper tension for belts 5, refer to the information in the following tables. Once belts 5 are correctly tensioned, tighten nut 6 and nuts 3. Reattach the protective covers 1-2 using the screws and washers removed previously at points A-B.

## GENERAL RULE FOR CALCULATING THE TENSION OF BELT TYPES B/ SPB/5V/15N/XPB/5VX

$$E = \frac{K \times C}{100}$$

E = Flexure of a section of belt C subjected to a force F equivalent to 75N (approx. 7.5 Kg) applied to the center of the section C/2.

C = Longer section of belt of transmission.

C/2 = The middle of the longer belt of transmission where the force F must be applied.

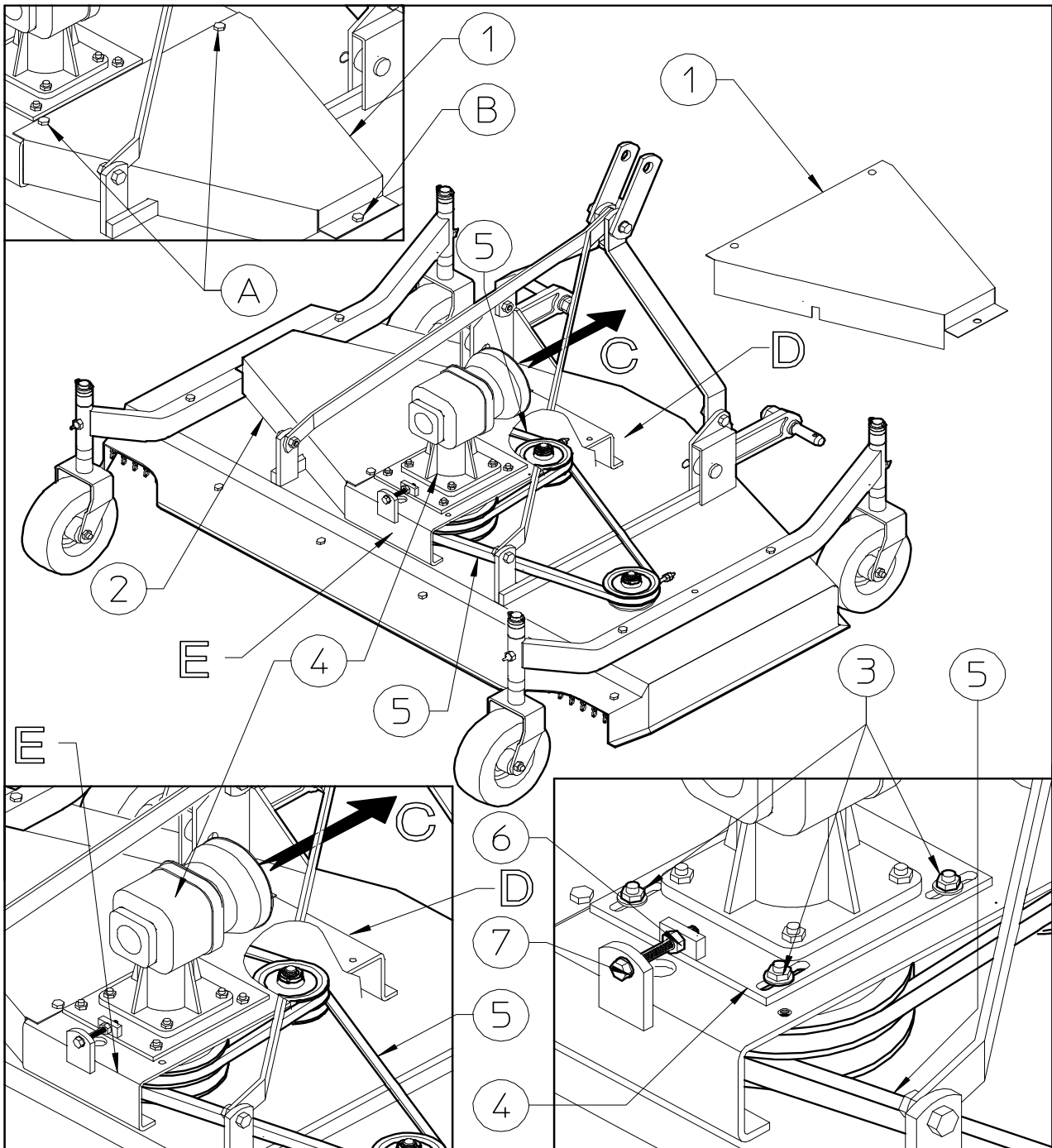
F = Force applied to check the tension of the belts, equivalent to 75N (approx. 7.5 Kg).

K = Flexure of 100 mm – 4” section of belt subjected to a force of 75N (approx. 7.5 Kg) applied to the center of the section.

VALUES OF K	
Diameter of the smallest belt pulley	K
From ø80 to ø160	3
From ø161 to ø224	2.55
From ø225 to ø355	2.22
Over ø356	2.1

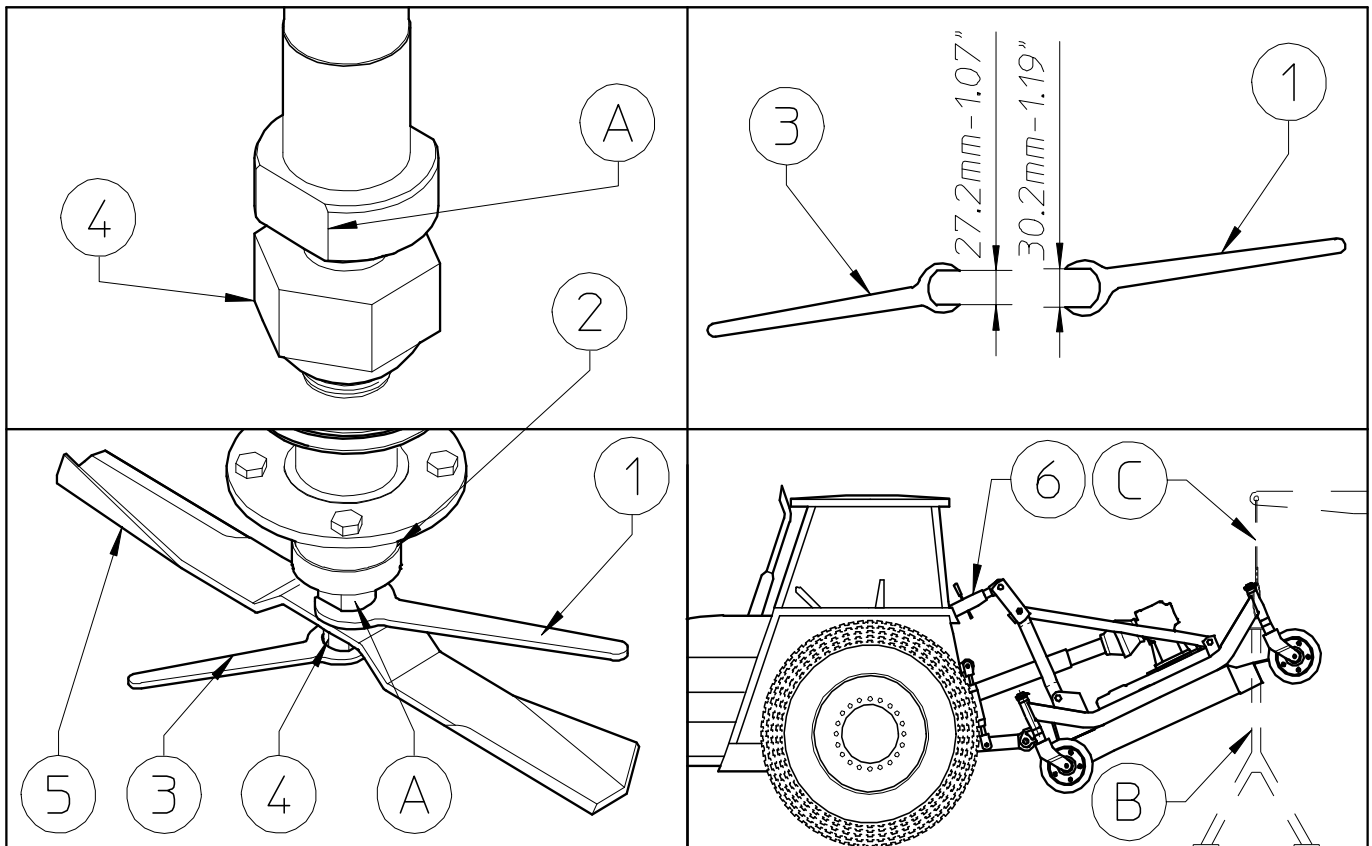
FOR THE SM/120-150-180-230 MOWERS SEE THE K-C-E VALUES IN THE FOLLOWING TABLE.

MOWER	K	C mm/inches	E mm/inches
SM/120	3	422 - 16,6"	12,5 - 0,49"
SM/150-SM/230	3	522 - 20,6"	15,5 - 0,61"
SM/180	3	622 - 24,5"	18,5 - 0,73"



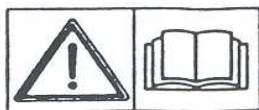
## INSTRUCTIONS ON HOW TO CHANGE THE BELTS

The replacement of the belts 5 must be done using maximum caution, and always with the tractor shut off and the cardan shaft disconnected. First the protective covers 1-2 must be removed by unscrewing the screws at points A-B. Next, loosen the nuts 3 that fasten the slide-reduction unit-pulley assembly 4. Then loosen nut 6 and unscrew screw 7 so as to make the assembly 4 slide in direction "C" until it is possible to remove the belts 5 from the grooves of the pulleys. Now remove the three screws on side "D" of the reduction unit mount and then loosen the three screws on the inside of side "E" of the reduction unit mount until it can be raised enough on side "D" to allow the belts to be pulled out from underneath it. The new belts are put on by following the same procedure in reverse order. To determine the right degree of tension for belts 5, follow the instructions and refer to the data described previously (pg.25-26). Once belts 5 are correctly tensioned, tighten nut 6 and nuts 3. Reattach the protective covers 1-2 using the screws and washers removed previously at points A-B.



## INSTRUCTIONS FOR REPLACING THE BLADES

The replacement of the blades 3 must be done using maximum caution, and always with the tractor shut off and the cardan shaft disconnected. Raise the mower body to the maximum height possible with the tractor power-lift so as to allow you to work properly on the underneath part of the mower. To increase the lifting height, adjust the rod (or hydraulic cylinder) 6. Now place suitable supports “B” under the mower body or hook it onto a suitable hoist “C” (taking into consideration the mower weight). Depending on the operator’s experience, the tools and equipment available, and the area where the replacement is done (in the shop, in the field, etc.), other procedures may be used provided that work is done fully observing all safety measures and conditions. To remove blade 5 use wrench 1 on part “A” of the hub pin 2 and wrench 3 on nut 4, unscrewing the nut so that blade 5 can be removed. Replace the blade and fasten it to the hub pin following the reverse procedure. Before using the mower ensure that the blade has been correctly fastened in place, because a blade that has not been adequately secured to the hub pin 2 can be extremely hazardous.



## GENERAL INSTRUCTIONS FOR FIELD USE

Before starting work, familiarise yourself with the following general instructions:



**CAUTION**



Before using the machine ensure that all safety precautions are taken.

Check that all safety protection and guards are in place and working.

Inspect the work site in order to familiarise yourself with the terrain.

Do not start the tractor before being properly seated in the driving position.

Do not start the machine if it is damaged (or even if you only suspect it is damaged) and inform your nearest dealer of the problem and ask for assistance.

Do not allow yourself to become distracted when working - give your full attention to the job in hand.

Maintain constant control over the tractor and ensure that you know how to stop quickly and switch off the engine.

Caution when working on inclines. It is better to work from the bottom to the top of an incline (or from the top to the bottom), rather than across an incline where there is a risk of overturning. Check and heed the instructions supplied by the tractor manufacturer, especially those concerning the maximum incline on which it is possible to work.

It is advisable to reduce speed when working and manoeuvring on inclines and only to change speed and direction gradually.

Do not make sudden stops or starts.

Do not work on wet or slippery grass or terrain, or anywhere where grip is poor. If this is unavoidable, work at a slow speed so as to ensure operator safety.

Always switch off the tractor engine, apply the parking brake and remove the ignition key whenever you have to attend to the machine to make adjustments or to remove grass and other objects which might be entangled in the machine.

Before leaving the tractor, disengage the power takeoff, lower the machine until its wheels are on the ground and put the hydraulic directional control lever into the locked position.

Never go near the rotors until they have completely stopped moving.

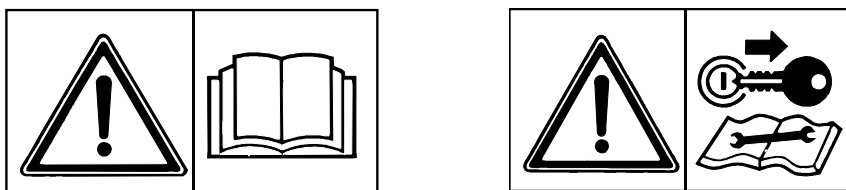
Never attempt to make adjustments to the machine while it is running. Always stop the machine before carrying out any such work. Do not oil the machine when it is running or is connected to the power takeoff.

Do not use the control levers as handholds since they can move and do not give a secure grip. Furthermore, any involuntary movement of a control lever can cause unintentional movement of the tractor or machine.

## TEMPORARY PARKING

- 1) Choose a flat, hard open space away from frequented areas if possible.
- 2) Switch off the engine, leaving the tractor in gear.
- 3) Apply the parking brake and remove the ignition key.
- 4) Put the parking stand in the parking position.
- 5) Turn the angle adjustment crank so that the weight of the machine is on the parking stand, thus avoiding the risk of having the machine tip over backwards.
- 6) Disconnect the cardan shaft at the tractor end.
- 7) Unhitch the tractor drawbar coupling pin.

## 6) MAINTENANCE DIRECTIONS



All cleaning, lubrication and maintenance operation must be carried out with the machine disconnected from the tractor.

In an emergency with the machine still connected to the tractor, switch off the engine, apply the parking brake, disengage the power takeoff and remove the ignition key from the instrument panel.

Regular, correct maintenance and proper operation are the basic prerequisites for the long-term efficiency and safe operation the machine.

Pay special attention to all instructions given on signs located on the machine.

All maintenance should be carried out in an area having the proper equipment readily available and in good condition.

This area must always be kept clean and dry and must have enough surrounding space to facilitate operations.

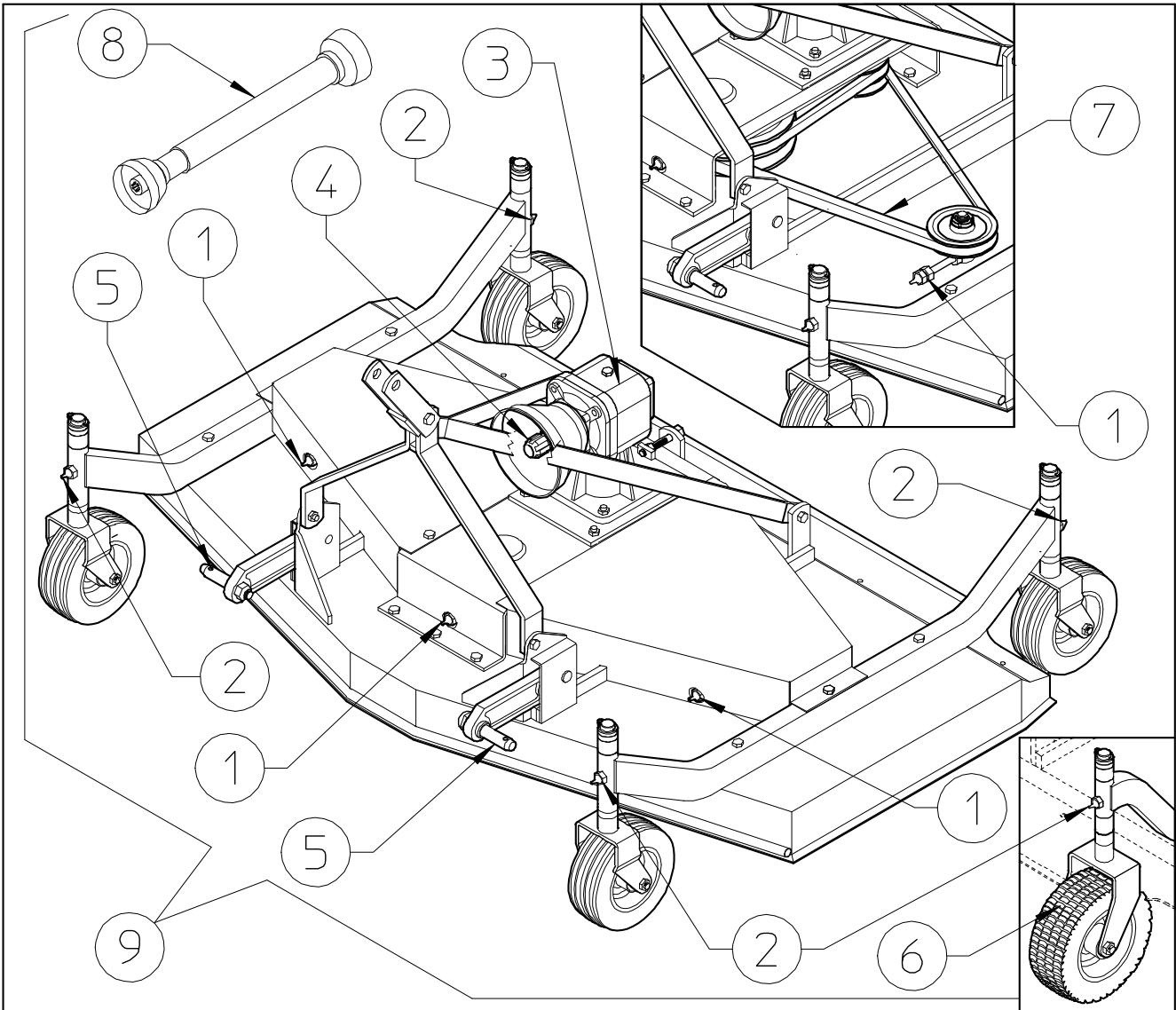
Any work must be carried out by trained personnel. Contact the dealer nearest to you. Respect the warnings and procedures for maintenance and technical assistance given in this manual.

Do not use petrol, solvents or other flammable liquids as detergents.

Use commercial non-flammable and non-toxic solvents, authorised by competent bodies.

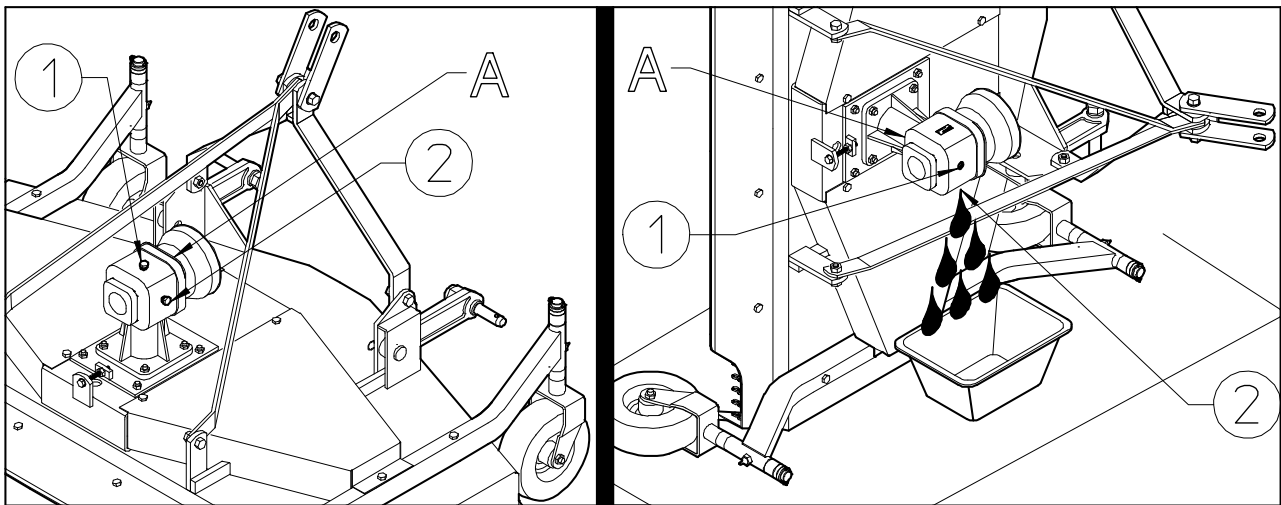
Do not use compressed air or water at high pressure to clean the machine. If this is unavoidable, then wear goggles with side protection and limit the pressure as much as possible. When the work is finished, and with the machine disconnected from the tractor, inspect and check the machine completely.

# MAINTENANCE POINTS



ITEM	Q.ty	DESCRIPTION	OPERATION	EVERY HOURS	NOTES
1	3	BLADE HUBS	LUBRICATE	8	Grease NLGI 2
2	4	WHEEL SUPPORTS	LUBRICATE	25	Grease NLGI 2
3	1	GEARBOX	OIL	50/500	SEE NOTE A
4	1	PTO SHAFT	CLEAN	*	SEE NOTE B
5	2	ARM LINKAGE PINS	CLEAN	*	SEE NOTE C
6	4	WHEELS (only pneumatic version)	CHECK PRESSURE	SEE NOTE C	INFLATE TO 35 PSI
7	2	BELTS	CHECK TENSION	50	SEE NOTE D
8	1	CARDAN SHAFT	SEE CARDAN SHAFT MAINTENANCE		
9	*	General checking of bolts, security pins and split pins to be carried out initially after the first 8 hours of use. Subsequently every 50 hours and whenever the machine is laid up for extended periods.			

**NOTE A:** The first oil change must be done after 50 hours working time and then after 400-500 hours of work. Keep in mind that intense and continuous working conditions will necessitate more frequent oil changes and periodic checks. It is a good practice to check the oil level every 50-60 hours of work. When changing the oil use maximum caution, and always make sure the tractor is shut off and the cardan shaft disconnected; it may be advisable to detach the mower entirely from the tractor. However, depending on the situation and the operator's experience, the tools and equipment available, and the area where the oil change is done (in the shop, in the field, etc.), other procedures may be used provided that the operator is always fully aware of the hazards connected with this operation.



Cap 1 on the housing is for filling, and cap 2 for checking the level. To check the level, simply unscrew cap 2 and see if the oil reaches the lower part of the cap 2 opening. To top up the oil, remove cap 1 and add oil until it starts to come out of the cap 2 opening. Put caps 1-2 back in place. To change the oil, keeping in mind the preceding safety recommendations, place the mower in a vertical position, or inclined enough so that once caps 1-2 are removed the oil can drain out of the cap 2 opening. Once the used oil has been completely drained, put the mower back in a level position and add oil in the cap 1 opening until it starts to come out of the cap 2 opening. Put caps 1-2 back in place. For a full oil change, approx. 0.5 liters of ISO 320 VG (SAE 80W/90 EP) type oil are needed.

**NOTE B:** Each time the Cardan shaft is disconnected and/or connected and whenever the machine is stopped, we recommended that you clean the power takeoff shaft and replace the protective cover (use additives of a type permitted by anti-pollution regulations).

**NOTE C:** Each time the machine is connected and/or disconnected to the tractor.

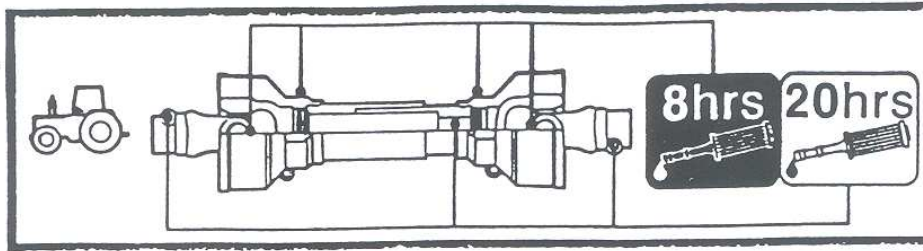
**NOTE D:** To carry out this operation following the instructions given on pg. 25-26.



# CARDAN SHAFT MAINTENANCE



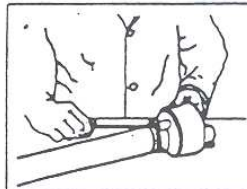
More detailed information may be found in the Cardan shaft manual which, together with this manual, forms an essential part of the accident-prevention documentation. It is your responsibility to read and comply with this documentation. If information given in this manual conflicts with that given in the Cardan shaft manual, you should follow the instructions given by the Cardan shaft manufacturer.



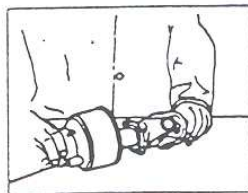
## MAINTENANCE OF SLIDING PARTS

### DISMANTLING

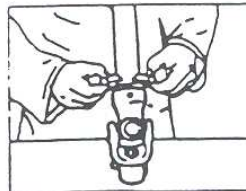
1) Turn the two eccentric pins on the ferrule until the protective cone comes free.



2) Withdraw the shaft protective guard.

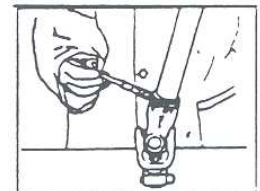


3) Check the condition of the ferrule and all protective parts.

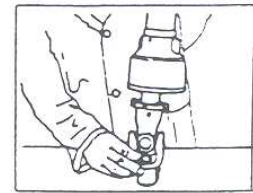


### ASSEMBLY

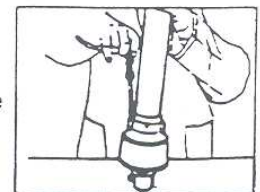
4) Lubricate supporting ferrule seating.



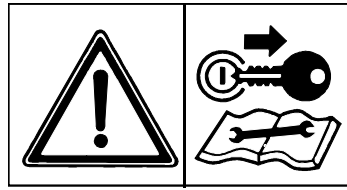
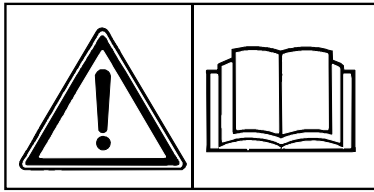
5) Refit the supporting ferrule.



6) Reattach the protective guard to the cardan shaft by turning the eccentric pins on the supporting ferrule.



# GENERAL INSTRUCTIONS FOR REPAIR WORK



Any repair work must be carried out with the machine at rest and disconnected from the tractor.

Do not carry out welding without authorisation and instructions from the manufacturers.

Disconnect the machine from the tractor before any welding work in order not to damage the battery. Always use a protective mask, goggles and gloves when welding, sanding or grinding or when using a hammer or drill.

Always work on the machine out of doors. If you have to operate the machine when connected to the tractor in an enclosed area (for example when testing after repair and/or maintenance) ensure that there is sufficient ventilation so as to prevent noxious exhaust gases accumulating.

In order to acquire the necessary control and to operate in safety, practise various manoeuvres by simulating those required in the workplace with the help of an experienced person.

If you activate the machine while it is raised from the ground, make sure there is nobody standing nearby or in a dangerous position.

## LAYNING UP FOR EXTENDED PERIODS

At the end of the season, or when an extended period of inactivity is envisaged, it is advisable to:

Clean the machine following instructions and allow it to dry.

Check it carefully and replace any damaged or worn parts.

Thoroughly tighten all screws and bolts.

Grease the machine thoroughly and then cover it completely and lay it up in a dry place.

It is to the user's advantage to carry out these operations carefully. In this way, he will have a machine in perfect condition when work is restarted.

On recommencing work, repeat all the proper checks so as to be certain of working in conditions of maximum safety.

## **NOISE AND VIBRATION**

Noise affecting the tractor driver (from the machine only) is less than 80dB.

Vibration from the machine affecting the upper body and limbs of the driver is insignificant and is lower than the values given in Point 3.6.3 of Enclosure 1 of the Machine Directives (89/392/EEC, 91/386/EEC)

## **THE FOLLOWING SHOULD BE NOTED IF THE MACHINE IS SCRAPPED**

The machine consists mainly of ferrous material, which must be disposed of according to the regulations in force in the country concerned.

There is also a small amount of plastic, which must be disposed of according to the regulations in force in the country concerned.

There is very small amount of residual grease, which must be disposed of according to the regulations in force in the country concerned.

\*\*\*\*\*

## **7) SPARE PARTS LIST**

FOR CORRECT SPARE PARTS ORDER IT IS NECESSARY TO SPECIFY:  
TABLE NUMBER, ITEM, PART NO, DESCRIPTION AND QUANTITY OF  
PARTS REQUIRED.

ITEMS DESCRIBED AS RH AND LH ARE MEANT FACING REAR OF  
MACHINE.

TABLE PART NO 910.055

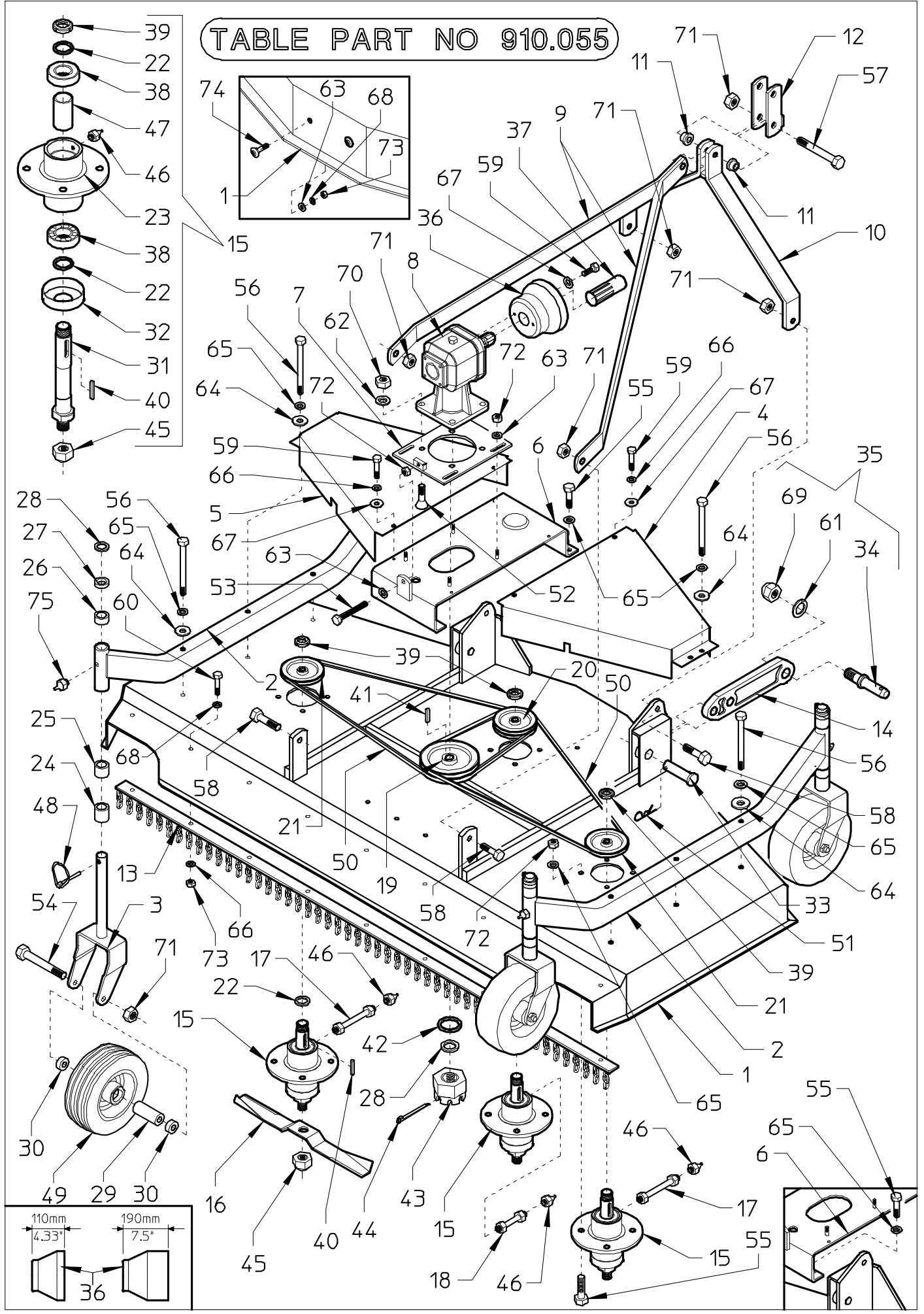
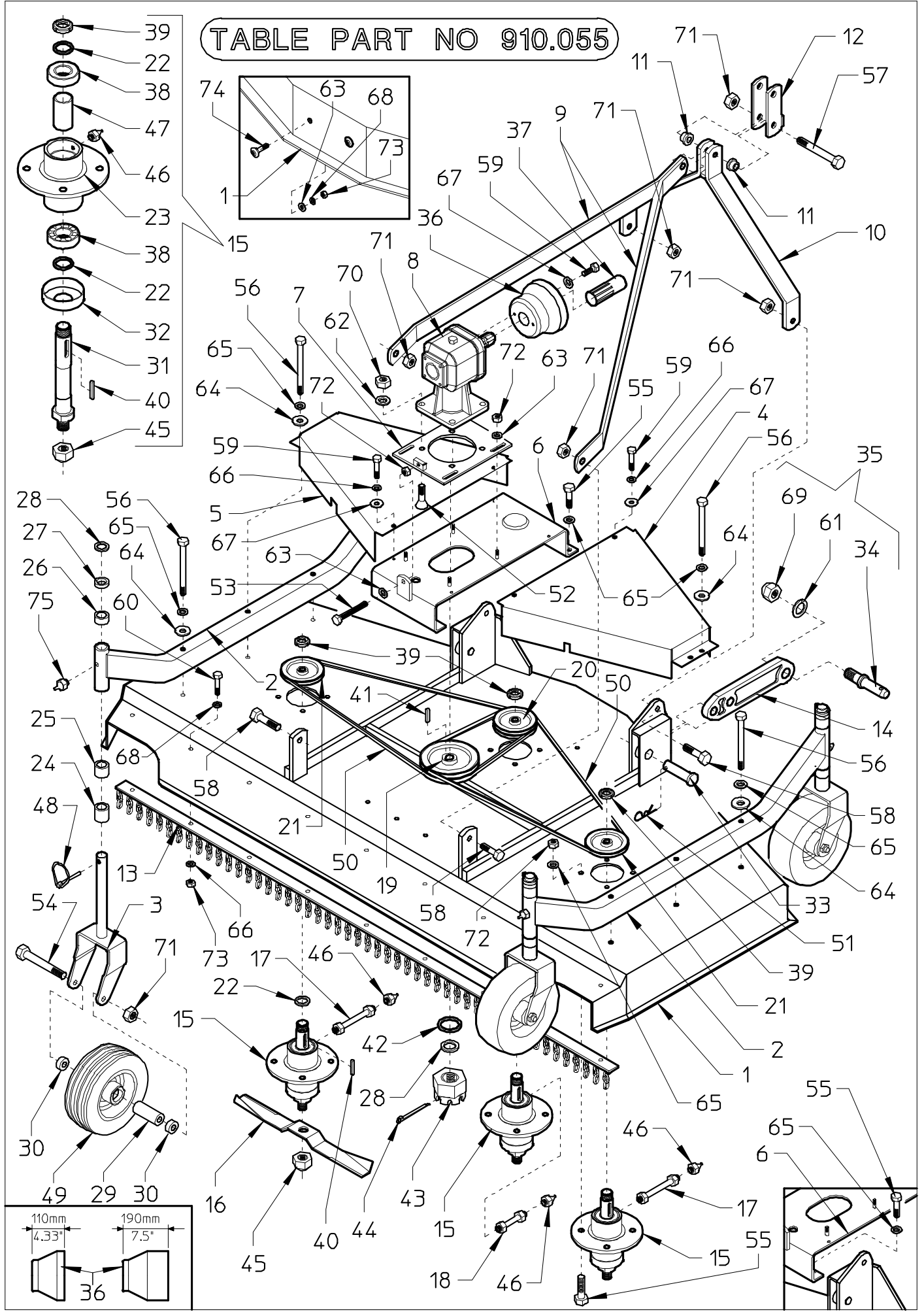


TABLE PART NO 910.055

ITEM	DESCRIPTION	SM/120P		SM/150P		SM/180P	
		Q.ty	PART NO	Q.ty	PART NO	Q.ty	PART NO
1	COMPLETE HOOD	1	110.059	1	110.060	1	110.061
2	WHEEL AXLE	2	110.068	2	110.069	2	100.699
3	WHEEL SUPPORT	4	100.020	4	100.020	4	100.020
4	BELT COVER, RH	1	100.558	1	100.561	1	100.572
5	BELT COVER, LH	1	100.559	1	100.562	1	100.573
6	GEARBOX SUPPORT	1	100.124	1	100.131	1	100.131
7	SLIDING	1	100.022	1	100.021	1	100.021
8	** GEARBOX	1	100.273	1	100.273	1	100.273
9	TIE ROD	2	100.116	2	100.117	2	100.118
10	3rd POINT HITCH	1	100.119	1	100.120	1	100.120
11	SPACER	2	100.062	2	100.062	2	100.062
12	HITCH	1	100.115	1	100.115	1	100.115
13	PROTECTION	1	110.063	1	110.064	1	110.065
14	PIN SUPPORT	2	100.039	2	100.039	2	100.039
15	COMPLETE HUB	3	100.047	3	100.047	3	100.047
16	BLADE	3	100.064	3	100.065	3	100.066
17	GREASE FITTING	2	100.125	2	100.125	2	100.125
18	GREASE FITTING	1	100.577	1	100.577	1	100.577
19	PULLEY	1	100.056	1	100.054	1	100.055
20	PULLEY	1	100.059	1	100.057	1	100.057
21	PULLEY	2	100.060	2	100.058	2	100.058
22	SHIM	8	100.050	8	100.050	8	100.050
23	HUB	3	100.049	3	100.049	3	100.049
24	SHIM (32 mm-1,26")	4	100.046	4	100.046	4	100.046
25	SHIM (25 mm-1")	4	100.045	4	100.045	4	100.045
26	SHIM (12 mm-0,47")	4	100.044	4	100.044	4	100.044
27	SHIM (6 mm-0,24")	4	100.043	4	100.043	4	100.043
28	SHIM (2 mm-0,08")	5	100.042	5	100.042	5	100.042
29	SPACER	4	100.008	4	100.008	4	100.008
30	SHIM	8	100.006	8	100.006	8	100.006
31	PIN	3	100.051	3	100.051	3	100.051
32	BEARING COVER	3	100.052	3	100.052	3	100.052
33	PIN	2	100.040	2	100.040	2	100.040
34	PIN	2	105.091	2	105.091	2	105.091
35	COMPLETE PIN	2	100.010	2	100.010	2	100.010
36	GUARD (LENGHT 190)	1	600.818	1	600.818	1	600.818
36	GUARD (LENGHT 110)	1	600.171	1	600.171	1	600.171
37	PROTECTION	1	600.172	1	600.172	1	600.172
** STANDARD GEARBOX : 540 RPM COUNTER CLOCK WISE							

TABLE PART NO 910.055



ITEM	DESCRIPTION	SM/120P		SM/150P		SM/180P	
		Q.ty	PART NO	Q.ty	PART NO	Q.ty	PART NO
38	BEARING 6205 Z	6	600.117	6	600.117	6	600.117
39	LOCKING RING NUT	3	600.122	3	600.122	3	600.122
40	LATCH	3	600.123	3	600.123	3	600.123
41	LATCH	1	600.181	1	600.181	1	600.181
42	WASHER	1	600.335	1	600.335	1	600.335
43	NUT	1	600.296	1	600.296	1	600.296
44	SPLIT PIN	1	600.347	1	600.347	1	600.347
45	NUT	3	600.746	3	600.746	3	600.746
46	GREASE NIPPLE M8	3	600.034	3	600.034	3	600.034
47	SPACER	3	100.048	3	100.048	3	100.048
48	LINCH PIN	4	600.116	4	600.116	4	600.116
49	WHEEL	4	600.165	4	600.165	4	600.165
50	BELT	2	600.141	2	600.139	2	600.140
51	CLIP	2	600.019	2	600.019	2	600.019
52	SCREW (M14x40)	4	600.158	4	600.158	4	600.158
53	SCREW (M10x80)	1	600.160	1	600.160	1	600.160
54	SCREW (M12x110)	4	600.156	4	600.156	4	600.156
55	SCREW (M10x25)	18	600.006	18	600.006	18	600.006
56	SCREW (M10x80)	6	600.162	6	600.162	6	600.162
57	SCREW (M12x90)	1	600.152	1	600.152	1	600.152
58	SCREW (M12x35)	4	600.616	4	600.616	4	600.616
59	SCREW (M8x16)	6	600.061	6	600.061	6	600.061
60	SCREW (M8x25)	6	600.702	8	600.702	9	600.702
61	SPRING WASHER $\phi$ 23	2	600.214	2	600.214	2	600.214
62	SPRING WASHER $\phi$ 14,5	4	600.104	4	600.104	4	600.104
63	WASHER $\phi$ 10,5	7	600.322	7	600.322	7	600.322
64	LARGE WASHER $\phi$ 10,5	6	620.250	6	620.250	6	620.250
65	SPRING WASHER $\phi$ 10,5	24	600.102	24	600.102	24	600.102
66	SPRING WASHER $\phi$ 8,5	10	600.100	12	600.100	13	600.100
67	LARGE WASHER $\phi$ 8,5	6	610.185	6	610.185	6	610.185
68	WASHER $\phi$ 8,5	8	600.115	10	600.115	11	600.115
69	NUT (M22x1,5)	2	600.249	2	600.249	2	600.249
70	NUT (M14)	4	600.075	4	600.075	4	600.075
71	NUT (M12)	9	600.077	9	600.077	9	600.077
72	NUT (M10)	17	600.010	17	600.010	17	600.010
73	NUT (M8)	8	600.037	10	600.037	11	600.037
74	SCREW (M8x20)	2	610.661	2	610.661	2	610.661
75	GREASE NIPPLE M6	4	600.124	4	600.124	4	600.124

TABLE PART NO 910.056

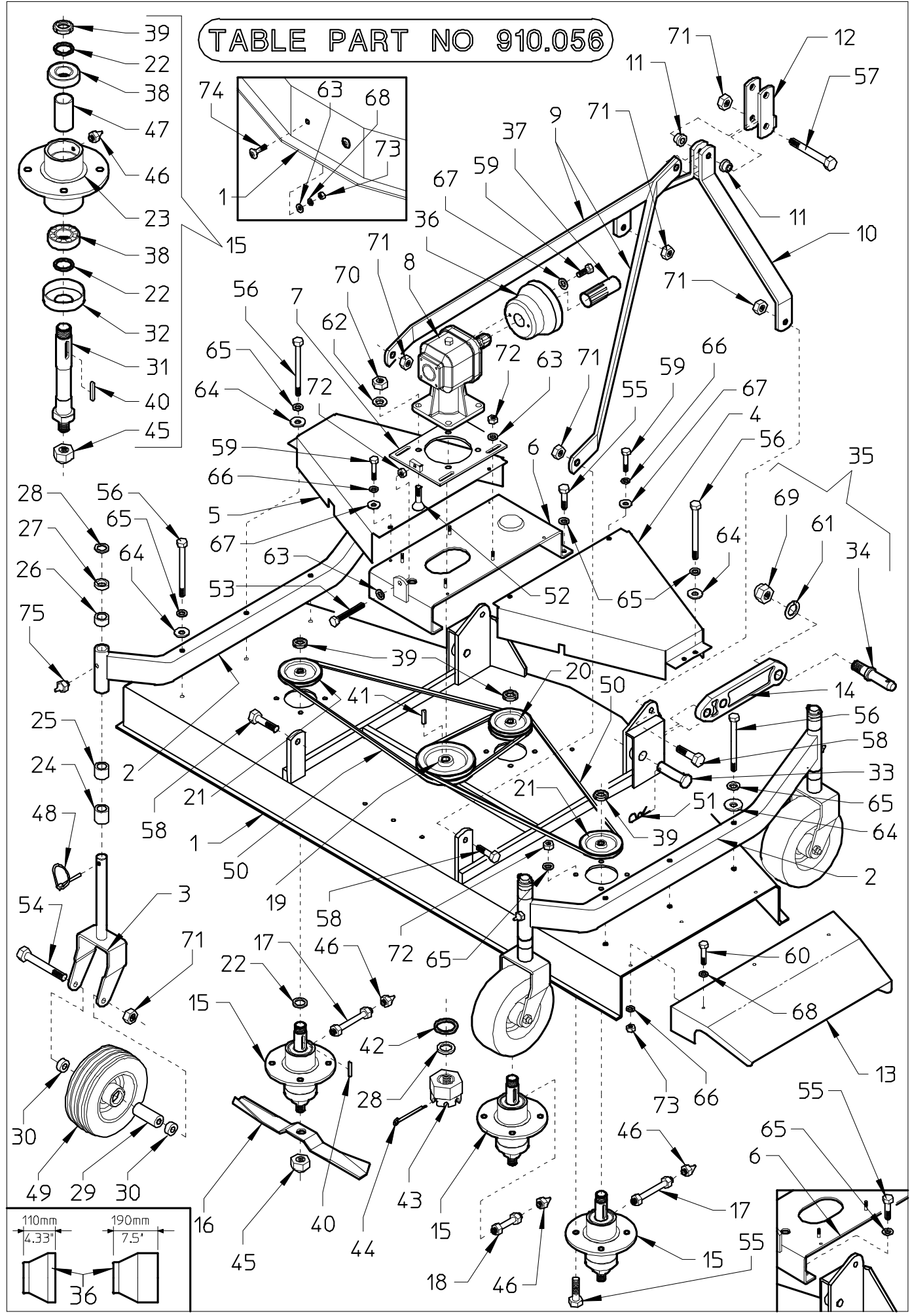


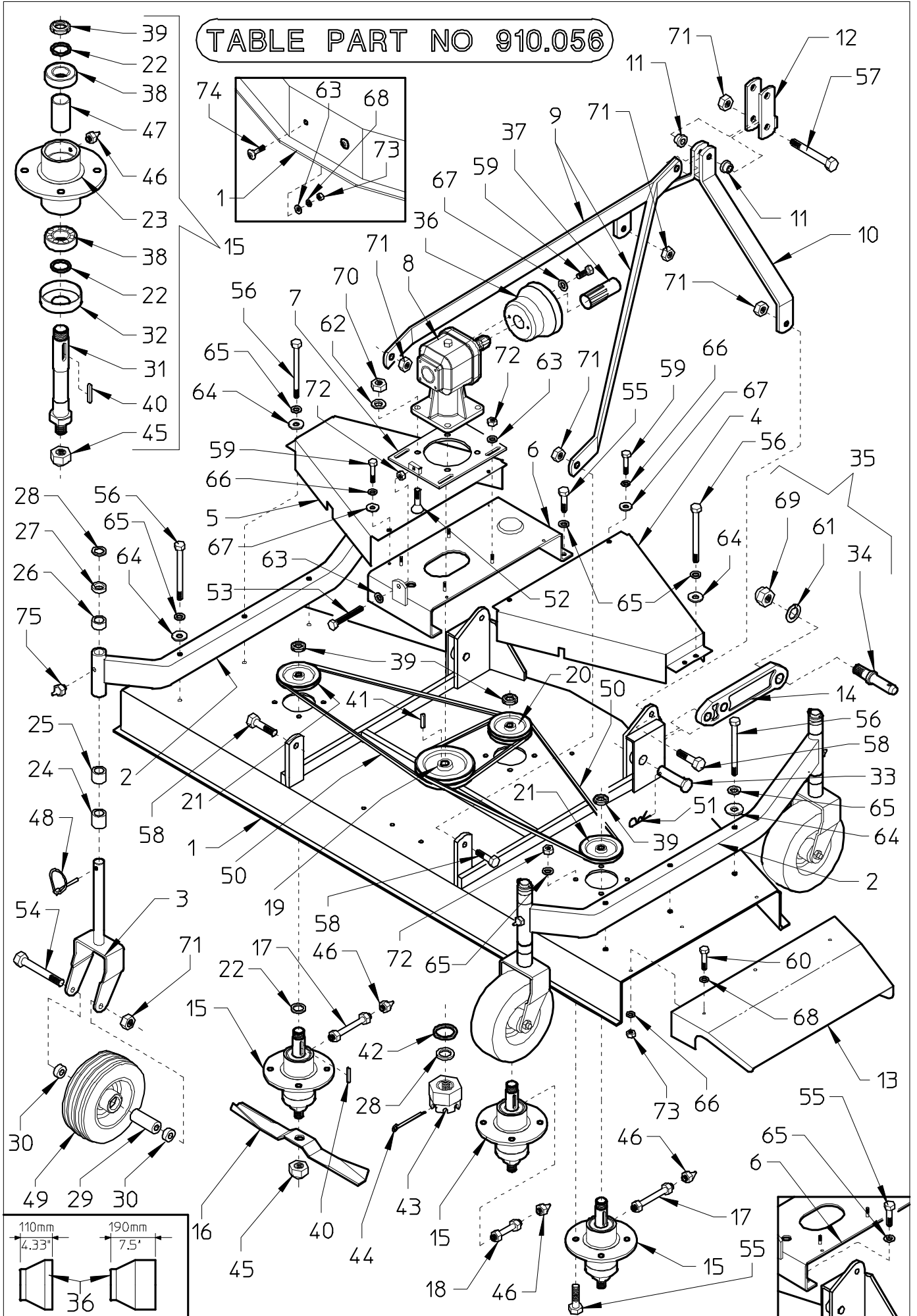


TABLE PART NO 910.056

ITEM	DESCRIPTION	SM/120L		SM/150L		SM/180L	
		Q.ty	PART NO	Q.ty	PART NO	Q.ty	PART NO
1	COMPLETE HOOD	1	100.121	1	100.122	1	100.123
2	WHEEL AXLE	2	100.207	2	100.208	2	100.209
3	WHEEL SUPPORT	4	100.020	4	100.020	4	100.020
4	BELT COVER, RH	1	100.558	1	100.561	1	100.572
5	BELT COVER, LH	1	100.559	1	100.562	1	100.573
6	GEARBOX SUPPORT	1	100.124	1	100.131	1	100.131
7	SLIDING	1	100.022	1	100.021	1	100.021
8	** GEARBOX	1	100.273	1	100.273	1	100.273
9	TIE ROD	2	100.116	2	100.117	2	100.118
10	3rd POINT HITCH	1	100.119	1	100.120	1	100.120
11	SPACER	2	100.062	2	100.062	2	100.062
12	HITCH	1	100.115	1	100.115	1	100.115
13	LATERAL CONVEYOR	1	100.029	1	100.028	1	100.027
14	PIN SUPPORT	2	100.039	2	100.039	2	100.039
15	COMPLETE HUB	3	100.047	3	100.047	3	100.047
16	BLADE	3	100.064	3	100.065	3	100.066
17	GREASE FITTING	2	100.125	2	100.125	2	100.125
18	GREASE FITTING	1	100.577	1	100.577	1	100.577
19	PULLEY	1	100.056	1	100.054	1	100.055
20	PULLEY	1	100.059	1	100.057	1	100.057
21	PULLEY	2	100.060	2	100.058	2	100.058
22	SHIM	8	100.050	8	100.050	8	100.050
23	HUB	3	100.049	3	100.049	3	100.049
24	SHIM (32 mm-1,26")	4	100.046	4	100.046	4	100.046
25	SHIM (25 mm-1")	4	100.045	4	100.045	4	100.045
26	SHIM (12 mm-0,47")	4	100.044	4	100.044	4	100.044
27	SHIM (6 mm-0,24")	4	100.043	4	100.043	4	100.043
28	SHIM (2 mm-0,08")	5	100.042	5	100.042	5	100.042
29	SPACER	4	100.008	4	100.008	4	100.008
30	SHIM	8	100.006	8	100.006	8	100.006
31	PIN	3	100.051	3	100.051	3	100.051
32	BEARING COVER	3	100.052	3	100.052	3	100.052
33	PIN	2	100.040	2	100.040	2	100.040
34	PIN	2	105.091	2	105.091	2	105.091
35	COMPLETE PIN	2	100.010	2	100.010	2	100.010
36	GUARD (LENGHT 190)	1	600.818	1	600.818	1	600.818
36	GUARD (LENGHT 110)	1	600.171	1	600.171	1	600.171
37	PROTECTION	1	600.172	1	600.172	1	600.172

\*\* STANDARD GEARBOX : 540 RPM COUNTER CLOCK WISE

TABLE PART NO 910.056



ITEM	DESCRIPTION	SM/120L		SM/150L		SM/180L	
		Q.ty	PART NO	Q.ty	PART NO	Q.ty	PART NO
38	BEARING 6205 Z	6	600.117	6	600.117	6	600.117
39	LOCKING RING NUT	3	600.122	3	600.122	3	600.122
40	LATCH	3	600.123	3	600.123	3	600.123
41	LATCH	1	600.181	1	600.181	1	600.181
42	WASHER	1	600.335	1	600.335	1	600.335
43	NUT	1	600.296	1	600.296	1	600.296
44	SPLIT PIN	1	600.347	1	600.347	1	600.347
45	NUT	3	600.746	3	600.746	3	600.746
46	GREASE NIPPLE M8	3	600.034	3	600.034	3	600.034
47	SPACER	3	100.048	3	100.048	3	100.048
48	LINCH PIN	4	600.116	4	600.116	4	600.116
49	WHEEL	4	600.165	4	600.165	4	600.165
50	BELT	2	600.141	2	600.139	2	600.140
51	CLIP	2	600.019	2	600.019	2	600.019
52	SCREW (M14x40)	4	600.158	4	600.158	4	600.158
53	SCREW (M10x80)	1	600.160	1	600.160	1	600.160
54	SCREW (M12x110)	4	600.156	4	600.156	4	600.156
55	SCREW (M10x25)	18	600.006	18	600.006	18	600.006
56	SCREW (M10x80)	6	600.162	6	600.162	6	600.162
57	SCREW (M12x90)	1	600.152	1	600.152	1	600.152
58	SCREW (M12x35)	4	600.616	4	600.616	4	600.616
59	SCREW (M8x16)	6	600.061	6	600.061	6	600.061
60	SCREW (M8x20)	3	600.223	3	600.223	3	600.223
61	SPRING WASHER $\phi$ 23	2	600.214	2	600.214	2	600.214
62	SPRING WASHER $\phi$ 14,5	4	600.104	4	600.104	4	600.104
63	WASHER $\phi$ 10,5	7	600.322	7	600.322	7	600.322
64	LARGE WASHER $\phi$ 10,5	6	620.250	6	620.250	6	620.250
65	SPRING WASHER $\phi$ 10,5	24	600.102	24	600.102	24	600.102
66	SPRING WASHER $\phi$ 8,5	13	600.100	15	600.100	16	600.100
67	LARGE WASHER $\phi$ 8,5	6	610.185	6	610.185	6	610.185
68	WASHER $\phi$ 8,5	11	600.115	13	600.115	14	600.115
69	NUT (M22x1,5)	2	600.249	2	600.249	2	600.249
70	NUT (M14)	4	600.075	4	600.075	4	600.075
71	NUT (M12)	9	600.077	9	600.077	9	600.077
72	NUT (M10)	17	600.010	17	600.010	17	600.010
73	NUT (M8)	5	600.037	5	600.037	5	600.037
74	SCREW (M8x20)	2	610.661	2	610.661	2	610.661
75	GREASE NIPPLE M6	4	600.124	4	600.124	4	600.124

# FRONT FINISHING MOWERS

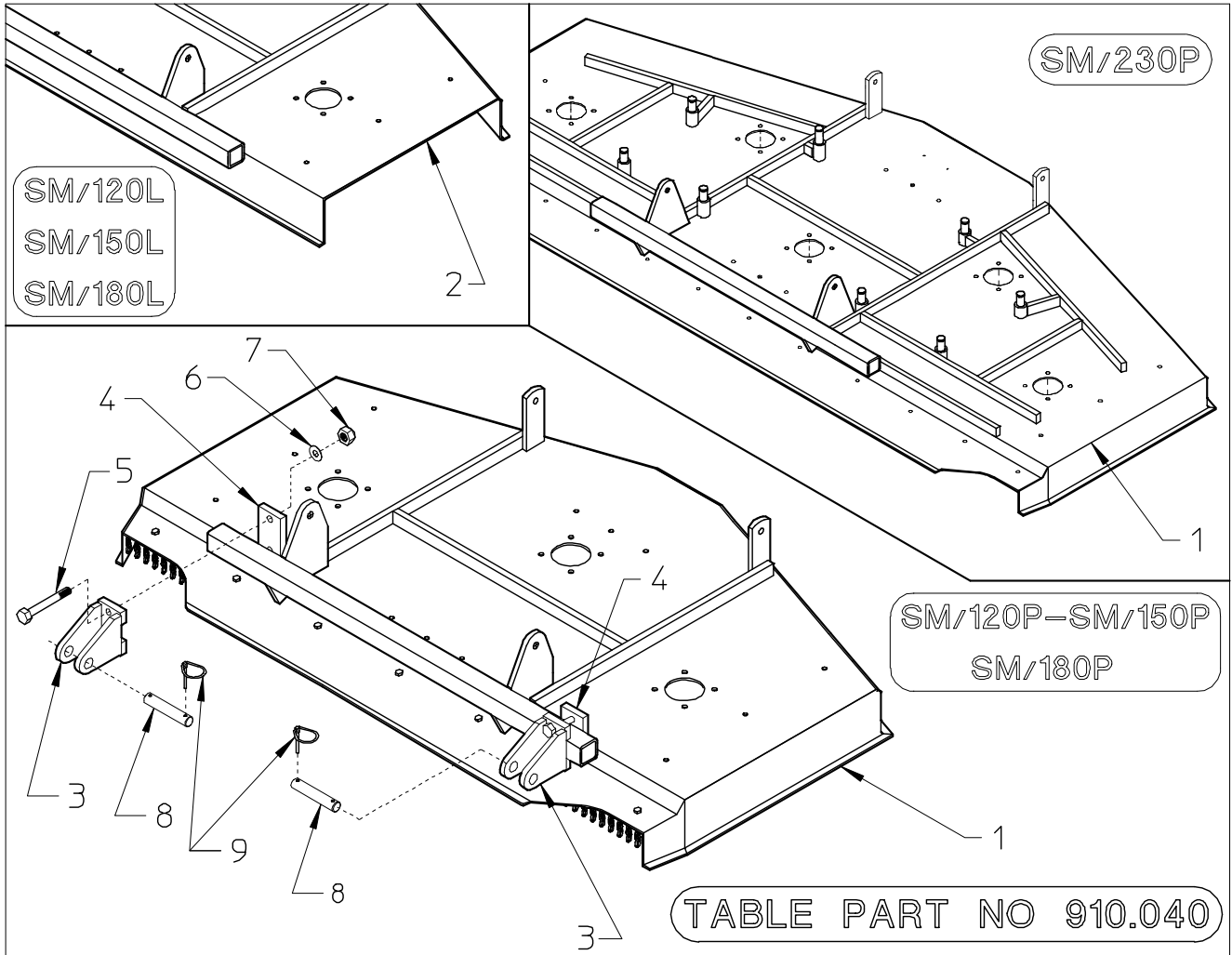
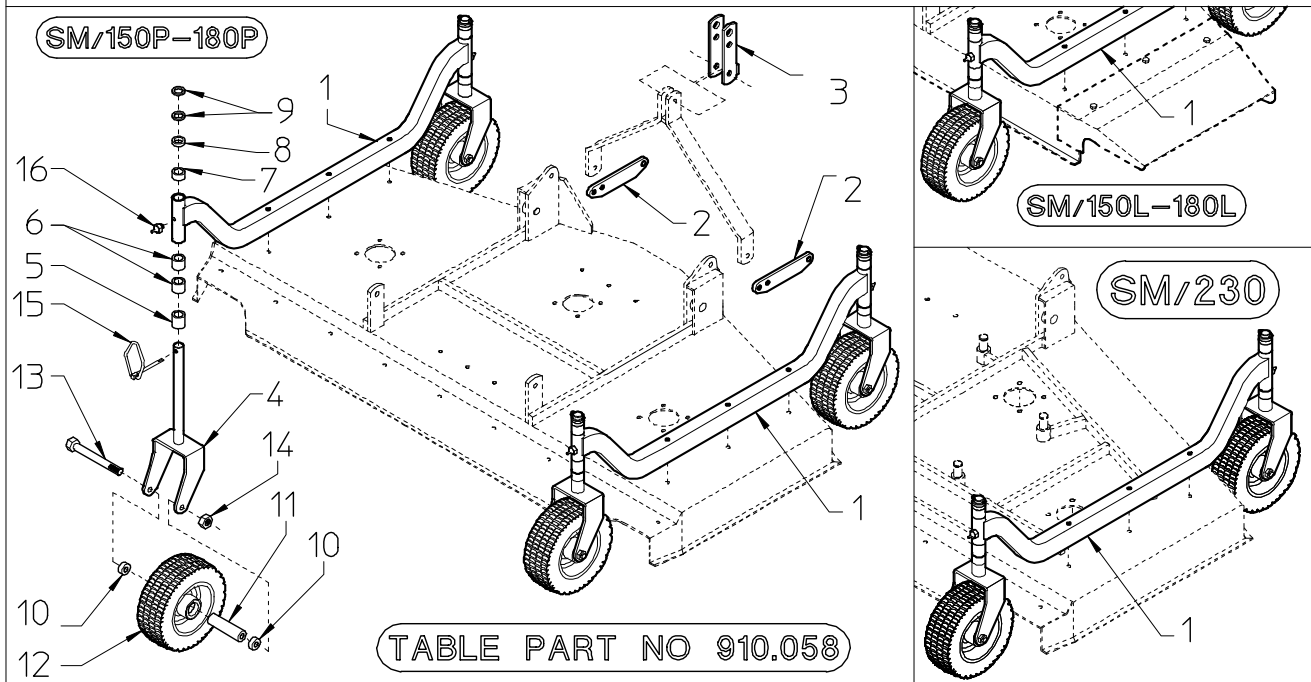


TABLE PART NO 910.040					
ITEM	DESCRIPTION	DESCRIPTION	Q.ty	PART NO	NOTE
1	COMPLETE HOOD	COFFRE COMPLET	1	110.117	120/P
1	COMPLETE HOOD	COFFRE COMPLET	1	110.116	150/P
1	COMPLETE HOOD	COFFRE COMPLET	1	110.115	180/P
1	COMPLETE HOOD	COFFRE COMPLET	1	110.114	230/P
2	COMPLETE HOOD	COFFRE COMPLET	1	100.084	120/L
2	COMPLETE HOOD	COFFRE COMPLET	1	100.085	150/L
2	COMPLETE HOOD	COFFRE COMPLET	1	100.086	180/L
3	HITCH	ATTELAGE	2	100.079	SM/120-150-180
3	HITCH	ATTELAGE	2	100.317	SM/230
4	COUNTERPLATE	CONTRE-PLATE	2	100.080	SM/120-150-180
4	COUNTERPLATE	CONTRE-PLATE	2	100.330	SM/230
5	SCREW (M12x70)	VIS (M12x70)	4	600.210	SM/120-150-180
5	SCREW (M12x80)	VIS (M12x80)	4	600.390	SM/230
6	WASHER	RONDELLE	4	600.089	
7	NUT (M12-DIN 980)	ECROU (M12-DIN 980)	4	600.077	
8	PIN	PIVOT	2	100.102	
9	CLIP	GOUPILLE	2	600.017	

NOTE: ITEMS FOR THE FRONT MOUNT MOWERS - PIECES POUR LA VERSION FRONTALE  
 FOR THE OTHER ITEMS SEE TABLES PART NOS 910.055-910.056-910.065  
 POUR LES AUTRES PIECES VOIR TABLES 910.055-910.056-910.065

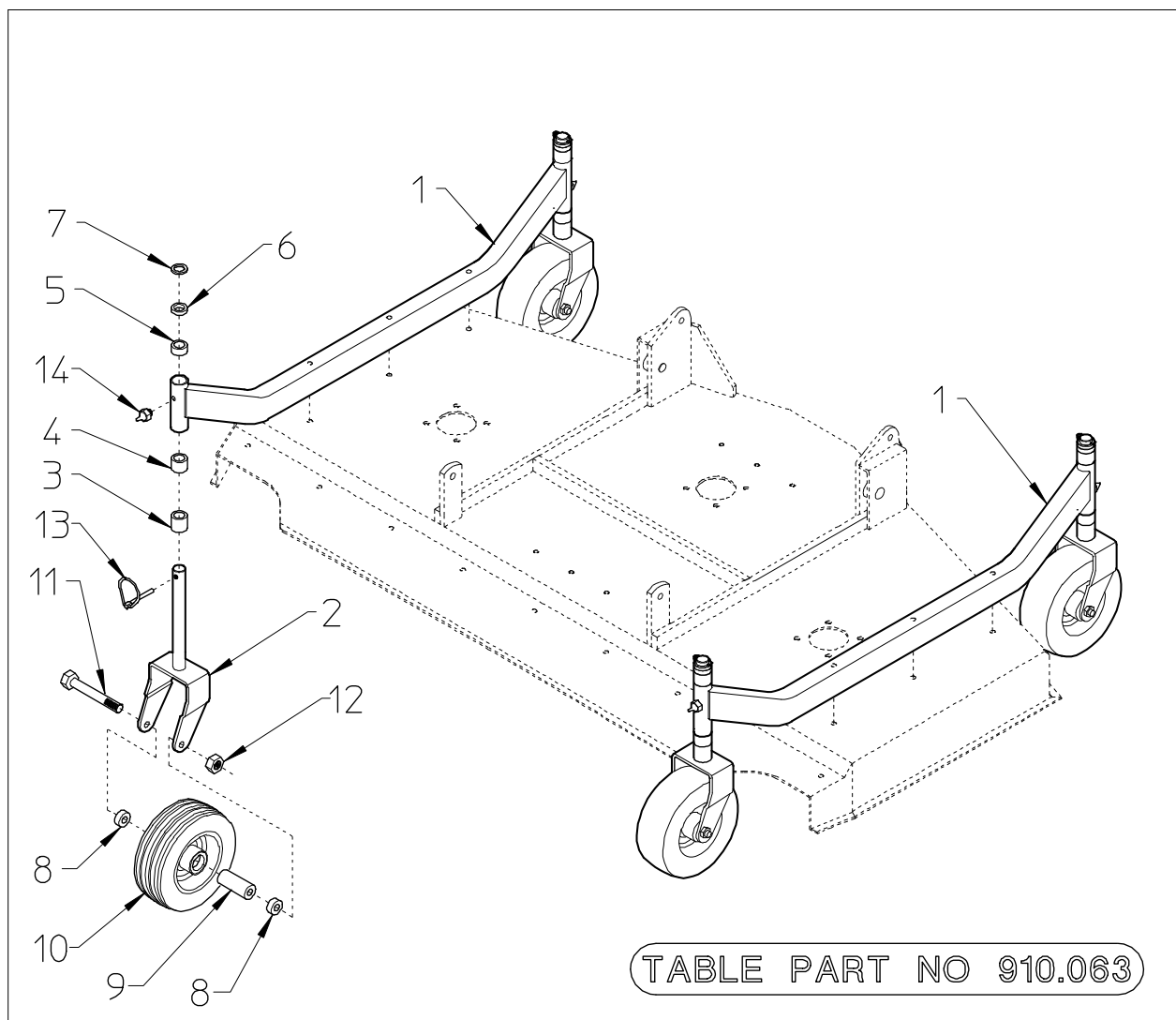
# MOWERS WITH PNEUMATIC WHEEL



MOWERS WITH PNEUMATIC WHEEL-TONDEUSE AVEC ROUE PNEUMATIQUE - TABLE PART NO 910.058					
ITEM	DESCRIPTION	DESCRIPTION	Q.ty	PART NO	NOTE
1	WHEEL AXLE	ESSIEU ROUE	2	100.932	SM/150 P
1	WHEEL AXLE	ESSIEU ROUE	2	100.931	SM/180 P
1	WHEEL AXLE	ESSIEU ROUE	2	100.721	SM/230 P
1	WHEEL AXLE	ESSIEU ROUE	2	100.285	SM/150 L
1	WHEEL AXLE	ESSIEU ROUE	2	100.284	SM/180 L
2	SUPPORT	SUPPORT	2	100.297	
3	HITCH	ATTELAGE	1	100.298	
4	WHEEL SUPPORT	SUPPORT DE ROUE	4	100.291	
5	SHIM $\phi 1.2" \times 1.26"$ ( $\phi 30,5 \times 32$ mm)	EPAISSEUR $\phi 30,5 \times 32$ mm	4	100.145	
6	SHIM $\phi 1.2" \times 1"$ ( $\phi 30,5 \times 25$ mm)	EPAISSEUR $\phi 30,5 \times 25$ mm	8	100.144	
7	SHIM $\phi 1.2" \times 0.47"$ ( $\phi 30,5 \times 12$ mm)	EPAISSEUR $\phi 30,5 \times 12$ mm	4	100.143	
8	SHIM $\phi 1.2" \times 0.24"$ ( $\phi 30,5 \times 6$ mm)	EPAISSEUR $\phi 30,5 \times 6$ mm	4	100.142	
9	SHIM $\phi 1.2" \times 0.08"$ ( $\phi 30,5 \times 2$ mm)	EPAISSEUR $\phi 30,5 \times 2$ mm	8	100.141	
10	SHIM	EPAISSEUR	8	100.338	
11	SPACER	ENTRETOISE	4	100.339	
12	WHEEL	ROUE	4	610.434	
13	SCREW (M12x150)	VIS (M12x150)	4	610.271	
14	NUT (M12-DIN 980)	ECROU (M12-DIN 980)	4	600.077	
15	CLIP	GOUILLE	4	610.466	
16	GREASE NIPPLE M6	GRAISSEUR M6	4	600.124	
*	COMPLETE WHEEL KIT AND ACCESSORIES	GROUPE ROUE PNEUM. ET ACCESSORIES	1	100.933	SM/150 P
*	COMPLETE WHEEL KIT AND ACCESSORIES	GROUPE ROUE PNEUM. ET ACCESSORIES	1	100.934	SM/180 P
*	COMPLETE WHEEL KIT AND ACCESSORIES	GROUPE ROUE PNEUM. ET ACCESSORIES	1	100.935	SM/230 P
*	COMPLETE WHEEL KIT AND ACCESSORIES	GROUPE ROUE PNEUM. ET ACCESSORIES	1	100.296	SM/150 L
*	COMPLETE WHEEL KIT AND ACCESSORIES	GROUPE ROUE PNEUM. ET ACCESSORIES	1	100.295	SM/180 L

NOTE: ITEMS FOR THE PNEUMATIC WHEEL - PIECES POUR TONDEUSE PNEUMATIQUE  
 FOR THE OTHER ITEMS SEE TABLE 910.055-910.056-910.065  
 POUR LES AUTRES PIECES VOIR TABLES 910.055-910.056-910.065

# SOLID WHEEL KIT / KIT ROUES SOLIDE

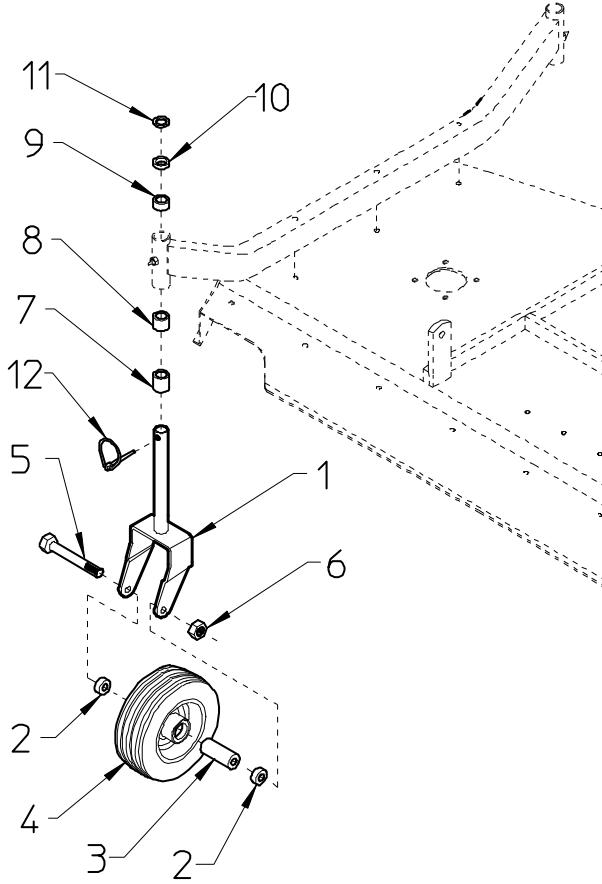


SOLID WHEEL KIT FOR MOWERS -KIT ROUES SOLIDE POUR TONDEUSE - TABLE PART NO 910.063

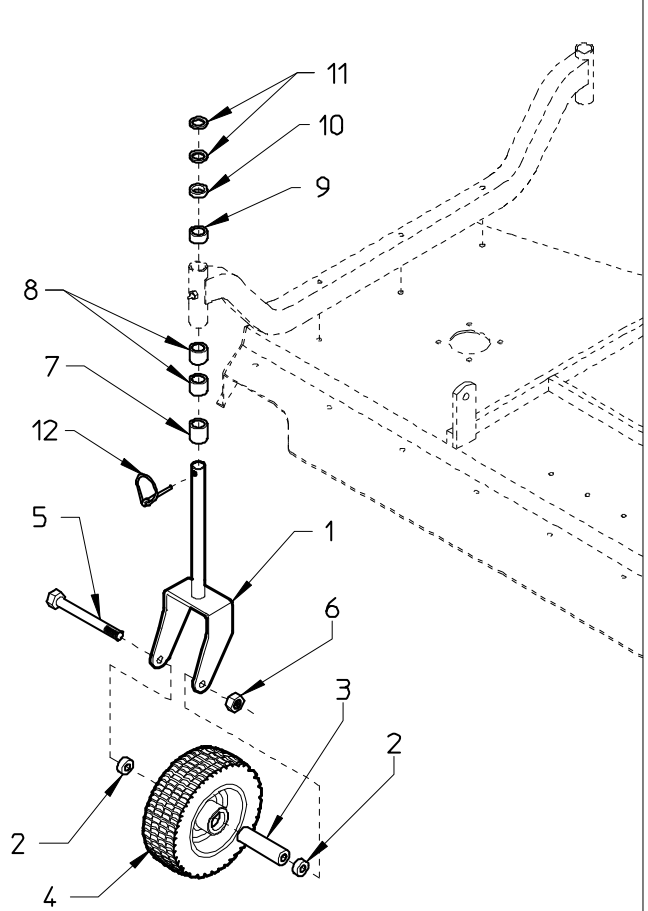
ITEM	DESCRIPTION	DESCRIPTION	Q.ty	PART NO	NOTE
1	WHEEL AXLE	ESSIEU ROUE	2	110.068	SM/120 P
1	WHEEL AXLE	ESSIEU ROUE	2	110.069	SM/150 P
1	WHEEL AXLE	ESSIEU ROUE	2	100.699	SM/180 P
1	WHEEL AXLE	ESSIEU ROUE	2	110.070	SM/230 P
1	WHEEL AXLE	ESSIEU ROUE	2	100.207	SM/120 L
1	WHEEL AXLE	ESSIEU ROUE	2	100.208	SM/150 L
1	WHEEL AXLE	ESSIEU ROUE	2	100.209	SM/180 L
2	WHEEL SUPPORT	SUPPORT DE ROUE	4	100.020	120-150-180
2	WHEEL SUPPORT	SUPPORT DE ROUE	4	100.147	SM/230 P
3	SHIM $\phi 1" \times 1,26"$ ( $\phi 25,4 \times 32$ mm)	EPAISSEUR $\phi 25,4 \times 32$ mm	4	100.046	120-150-180
3	SHIM $\phi 1,2" \times 1,26"$ ( $\phi 30,5 \times 32$ mm)	EPAISSEUR $\phi 30,5 \times 32$ mm	4	100.145	SM/230 P
4	SHIM $\phi 1" \times 1"$ ( $\phi 25,4 \times 25$ mm)	EPAISSEUR $\phi 25,4 \times 25$ mm	4	100.045	120-150-180
4	SHIM $\phi 1,2" \times 1"$ ( $\phi 30,5 \times 25$ mm)	EPAISSEUR $\phi 30,5 \times 25$ mm	4	100.144	SM/230 P
5	SHIM $\phi 1" \times 0,47"$ ( $\phi 25,4 \times 12$ mm)	EPAISSEUR $\phi 25,4 \times 12$ mm	4	100.044	120-150-180
5	SHIM $\phi 1,2" \times 0,47"$ ( $\phi 30,5 \times 12$ mm)	EPAISSEUR $\phi 30,5 \times 12$ mm	4	100.143	SM/230 P
6	SHIM $\phi 1" \times 0,24"$ ( $\phi 25,4 \times 6$ mm)	EPAISSEUR $\phi 25,4 \times 6$ mm	4	100.043	120-150-180
6	SHIM $\phi 1,2" \times 0,24"$ ( $\phi 30,5 \times 6$ mm)	EPAISSEUR $\phi 30,5 \times 6$ mm	4	100.142	SM/230 P
7	SHIM $\phi 1" \times 0,08"$ ( $\phi 25,4 \times 2$ mm)	EPAISSEUR $\phi 25,4 \times 2$ mm	4	100.042	120-150-180
7	SHIM $\phi 1,2" \times 0,08"$ ( $\phi 30,5 \times 2$ mm)	EPAISSEUR $\phi 30,5 \times 2$ mm	4	100.141	SM/230 P
8	SHIM	EPAISSEUR	8	100.006	
9	SPACER	ENTRETOISE	4	100.008	
10	WHEEL	ROUE	4	600.165	
11	SCREW (M12x110)	VIS (M12x110)	4	600.156	
12	NUT (M12-DIN 980)	ECROU (M12-DIN 980)	4	600.077	
13	CLIP	GOUPILLE	4	600.116	
14	GREASE NIPPLE M6	GRAISSEUR M6	4	600.124	
*	COMPLETE SOLIDE WHEEL KIT AND ACCESSORIES	KIT ROUES SOLIDE ET ACCESSORIES	1	110.130	SM/120 P
*	COMPLETE SOLIDE WHEEL KIT AND ACCESSORIES	KIT ROUES SOLIDE ET ACCESSORIES	1	110.203	SM/150 P
*	COMPLETE SOLIDE WHEEL KIT AND ACCESSORIES	KIT ROUES SOLIDE ET ACCESSORIES	1	110.204	SM/180 P
*	COMPLETE SOLIDE WHEEL KIT AND ACCESSORIES	KIT ROUES SOLIDE ET ACCESSORIES	1	110.133	SM/230 P
*	COMPLETE SOLIDE WHEEL KIT AND ACCESSORIES	KIT ROUES SOLIDE ET ACCESSORIES	1	100.290	SM/120 L
*	COMPLETE SOLIDE WHEEL KIT AND ACCESSORIES	KIT ROUES SOLIDE ET ACCESSORIES	1	100.289	SM/150 L
*	COMPLETE SOLIDE WHEEL KIT AND ACCESSORIES	KIT ROUES SOLIDE ET ACCESSORIES	1	100.288	SM/180 L

# TABLE PART NO 910.066

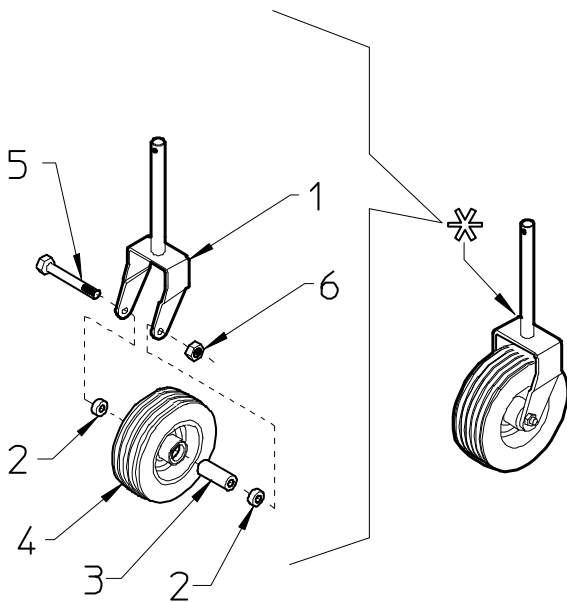
SM/120-150-180 : 100.578  
SM/230P : 110.030



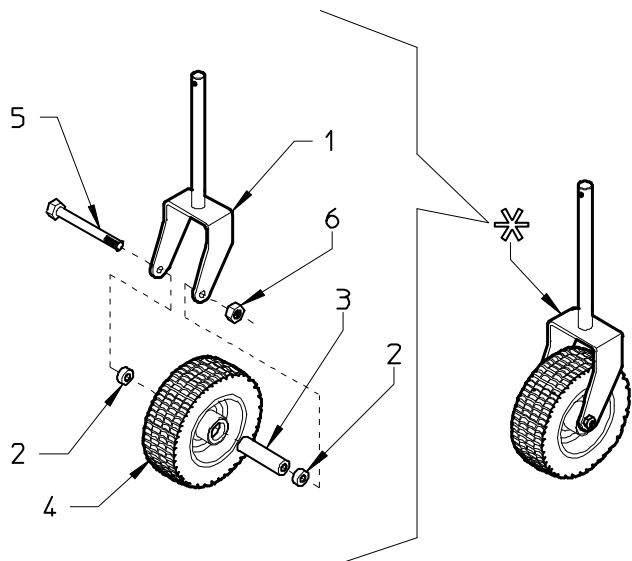
SM/120-150-180-230 : 100.580



SM/120-150-180 : 110.205  
SM/230P : 110.193



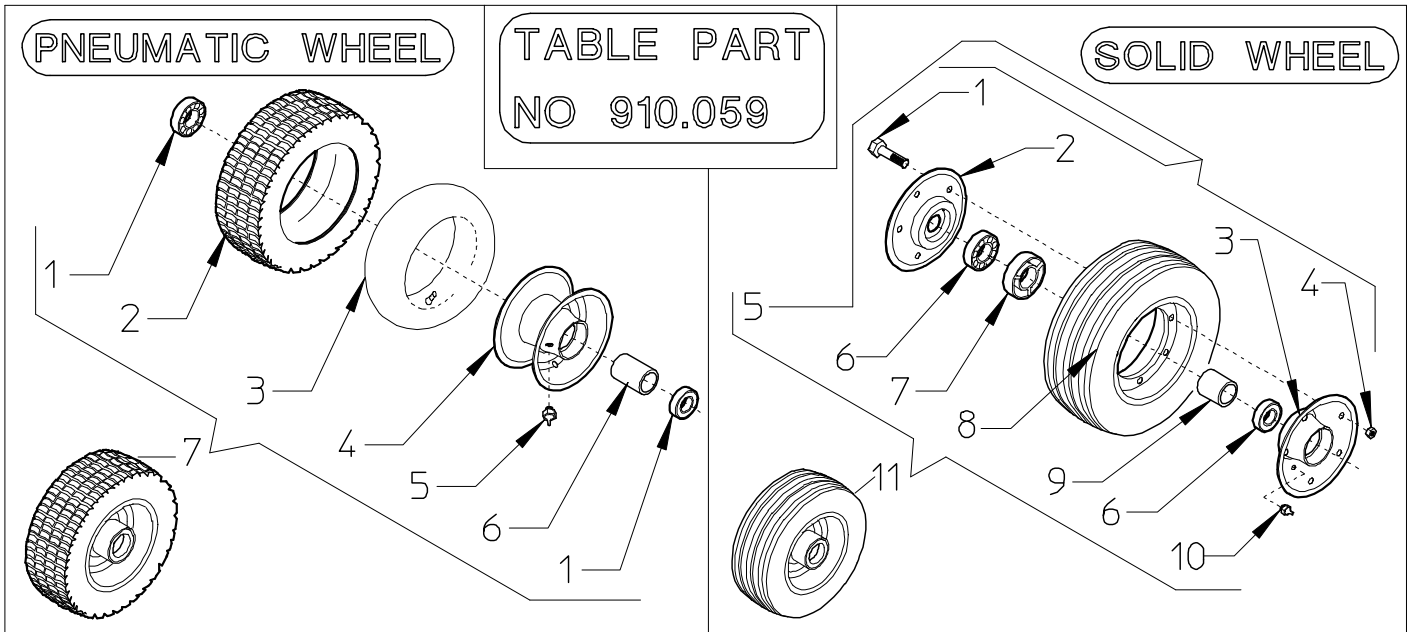
SM/150-180-230 : 110.208





## TABLE PART NO.910.066

SOLID WHEEL SUPPORT AND ACCESORIES-GROUPE ROUES SOLIDE ET ACCESSORIES (SM/120-150-180=100.578/SM/230=110.030)					
ITEM	DESCRIPTION	DESCRIPTION	Q.ty	PART NO	NOTE
1	WHEEL SUPPORT	SUPPORT DE ROUE	1	100.020	120-150-180
1	WHEEL SUPPORT	SUPPORT DE ROUE	1	100.147	SM/230 P
2	SHIM	EPAISSEUR	2	100.006	
3	SPACER	ENTRETOISE	1	100.008	
4	WHEEL	ROUE	1	600.165	
5	SCREW (M12x110)	VIS (M12x110)	1	600.156	
6	NUT (M12-DIN 980)	ECROU (M12-DIN 980)	1	600.077	
7	SHIM $\phi 1'' \times 1,26''$ ( $\phi 25,4 \times 32$ mm)	EPAISSEUR $\phi 25,4 \times 32$ mm	1	100.046	120-150-180
7	SHIM $\phi 1,2'' \times 1,26''$ ( $\phi 30,5 \times 32$ mm)	EPAISSEUR $\phi 30,5 \times 32$ mm	1	100.145	SM/230 P
8	SHIM $\phi 1'' \times 1''$ ( $\phi 25,4 \times 25$ mm)	EPAISSEUR $\phi 25,4 \times 25$ mm	1	100.045	120-150-180
8	SHIM $\phi 1,2'' \times 1''$ ( $\phi 30,5 \times 25$ mm)	EPAISSEUR $\phi 30,5 \times 25$ mm	1	100.144	SM/230 P
9	SHIM $\phi 1'' \times 0,47''$ ( $\phi 25,4 \times 12$ mm)	EPAISSEUR $\phi 25,4 \times 12$ mm	1	100.044	120-150-180
9	SHIM $\phi 1,2'' \times 0,47''$ ( $\phi 30,5 \times 12$ mm)	EPAISSEUR $\phi 30,5 \times 12$ mm	1	100.143	SM/230 P
10	SHIM $\phi 1'' \times 0,24''$ ( $\phi 25,4 \times 6$ mm)	EPAISSEUR $\phi 25,4 \times 6$ mm	1	100.043	120-150-180
10	SHIM $\phi 1,2'' \times 0,24''$ ( $\phi 30,5 \times 6$ mm)	EPAISSEUR $\phi 30,5 \times 6$ mm	1	100.142	SM/230 P
11	SHIM $\phi 1'' \times 0,08''$ ( $\phi 25,4 \times 2$ mm)	EPAISSEUR $\phi 25,4 \times 2$ mm	1	100.042	120-150-180
11	SHIM $\phi 1,2'' \times 0,08''$ ( $\phi 30,5 \times 2$ mm)	EPAISSEUR $\phi 30,5 \times 2$ mm	1	100.141	SM/230 P
12	SPLIT PIN $\phi 8$	GOUPILLE $\phi 8$	1	600.116	
*	SOLID WHEEL SUPPORT AND ACCESSORIES	GROUPE ROUES SOLIDE ET ACCESSORIES	1	100.578	120-150-180
*	SOLID WHEEL SUPPORT AND ACCESSORIES	GROUPE ROUES SOLIDE ET ACCESSORIES	1	110.030	SM/230 P
PNEUMATIC WHEEL SUPPORT AND ACCESORIES-GROUPE ROUES PNEUMATIQUE ET ACCESSORIES (SM/150-180-230=100.580)					
ITEM	DESCRIPTION	DESCRIPTION	Q.ty	PART NO	NOTE
1	WHEEL SUPPORT	SUPPORT DE ROUE	1	100.291	
2	SHIM	EPAISSEUR	2	100.338	
3	SPACER	ENTRETOISE	1	100.339	
4	WHEEL	ROUE	1	610.434	
5	SCREW (M12x150)	VIS (M12x150)	1	610.271	
6	NUT (M12-DIN 980)	ECROU (M12-DIN 980)	1	600.077	
7	SHIM $\phi 1,2'' \times 1,26''$ ( $\phi 30,5 \times 32$ mm)	EPAISSEUR $\phi 30,5 \times 32$ mm	1	100.145	
8	SHIM $\phi 1,2'' \times 1''$ ( $\phi 30,5 \times 25$ mm)	EPAISSEUR $\phi 30,5 \times 25$ mm	2	100.144	
9	SHIM $\phi 1,2'' \times 0,47''$ ( $\phi 30,5 \times 12$ mm)	EPAISSEUR $\phi 30,5 \times 12$ mm	1	100.143	
10	SHIM $\phi 1,2'' \times 0,24''$ ( $\phi 30,5 \times 6$ mm)	EPAISSEUR $\phi 30,5 \times 6$ mm	1	100.142	
11	SHIM $\phi 1,2'' \times 0,08''$ ( $\phi 30,5 \times 2$ mm)	EPAISSEUR $\phi 30,5 \times 2$ mm	2	100.141	
12	SPLIT PIN $\phi 8$	GOUPILLE $\phi 8$	1	600.116	
*	PNEUMATIC WHEEL SUPPORT AND ACCESSORIES	ROUES PNEUMATIQUE ET ACCESSORIES	1	100.580	
SOLID WHEEL SUPPORT - GROUPE ROUES SOLIDE (SM/120-150-180=110.205/SM/230=110.193)					
ITEM	DESCRIPTION	DESCRIPTION	Q.ty	PART NO	NOTE
1	WHEEL SUPPORT	SUPPORT DE ROUE	1	100.020	120-150-180
1	WHEEL SUPPORT	SUPPORT DE ROUE	1	100.147	SM/230 P
2	SHIM	EPAISSEUR	2	100.006	
3	SPACER	ENTRETOISE	1	100.008	
4	WHEEL	ROUE	1	600.165	
5	SCREW (M12x110)	VIS (M12x110)	1	600.156	
6	NUT (M12-DIN 980)	ECROU (M12-DIN 980)	1	600.077	
*	SOLID WHEEL SUPPORT	GROUPE ROUES SOLIDE	1	110.205	120-150-180
*	SOLID WHEEL SUPPORT	GROUPE ROUES SOLIDE	1	110.193	SM/230 P
PNEUMATIC WHEEL SUPPORT - GROUPE ROUES PNEUMATIQUE (SM/150-180-230=110.208)					
ITEM	DESCRIPTION	DESCRIPTION	Q.ty	PART NO	NOTE
1	WHEEL SUPPORT	SUPPORT DE ROUE	1	100.291	
2	SHIM	EPAISSEUR	2	100.338	
3	SPACER	ENTRETOISE	1	100.339	
4	WHEEL	ROUE	1	610.434	
5	SCREW (M12x150)	VIS (M12x150)	1	610.271	
6	NUT (M12-DIN 980)	ECROU (M12-DIN 980)	1	600.077	
*	PNEUMATIC WHEEL SUPPORT	GROUPE ROUES PNEUMATIQUE	1	110.208	



**TABLE PART NO 910.059**

PNEUMATIC WHEEL					
ITEM	DESCRIPTION	DESCRIPTION	Q.ty	PART NO	NOTE
1	BEARING 6005 Z	PALIER 6005 Z	2	610.867	
2	PNEU	PENEU	1	610.321	
3	TUBE	CHAMBRE AD AIRE	1	610.315	
4	RIM	CIRCLE	1	610.468	
5	GREASE NIPPLE M6	GRAISSEUR M6	1	600.124	
6	SPACER	ENTRETOISE	1	100.350	
7	COMPLETE PNEU WHEEL	ROUE PNEU COMPLETE	1	610.434	

SOLID WHEEL					
ITEM	DESCRIPTION	DESCRIPTION	Q.ty	PART NO	NOTE
1	SCREW	VIS	5	600.766	
2	HALF RIM	DEMI-CIRCLE	1	600.764	
3	HALF RIM	DEMI-CIRCLE	1	600.765	
4	NUT (M8)	ECROU (M8)	5	600.037	
5	COMPLETE RIM	CIRCLE COMPLET	1	620.680	
6	BEARING 6205 Z	PALIER 6205 Z	2	600.117	
7	BUSH	HAPPE	1	100.129	
8	WHEEL	ROUE	1	600.763	
9	SPACER	ENTRETOISE	1	100.128	
10	GREASE NIPPLE M6	GRAISSEUR M6	1	600.124	
11	COMPLETE SOLID WHEEL	ROUE SOLIDE COMPLETE	1	600.165	

# MULCHING KIT

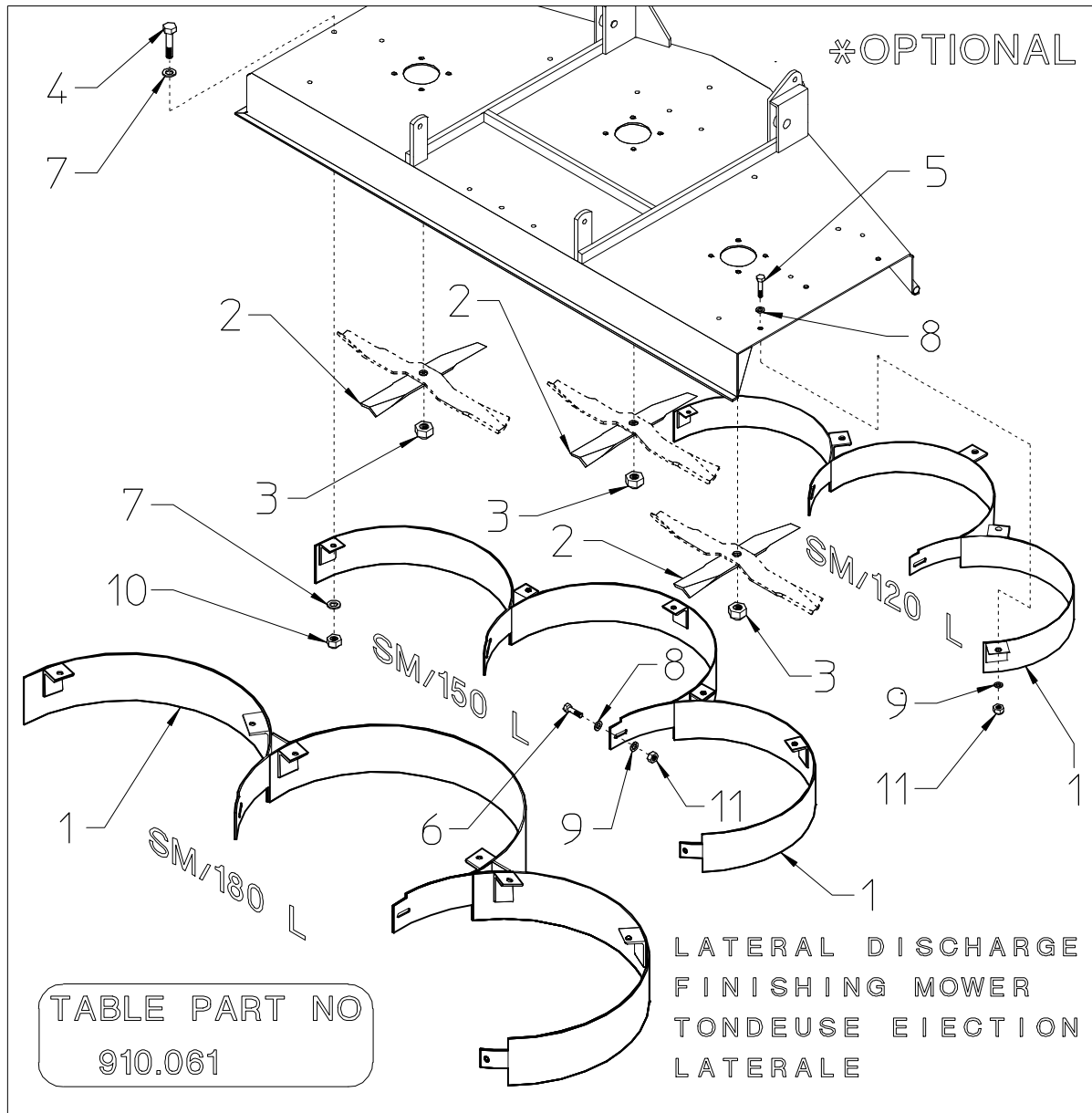
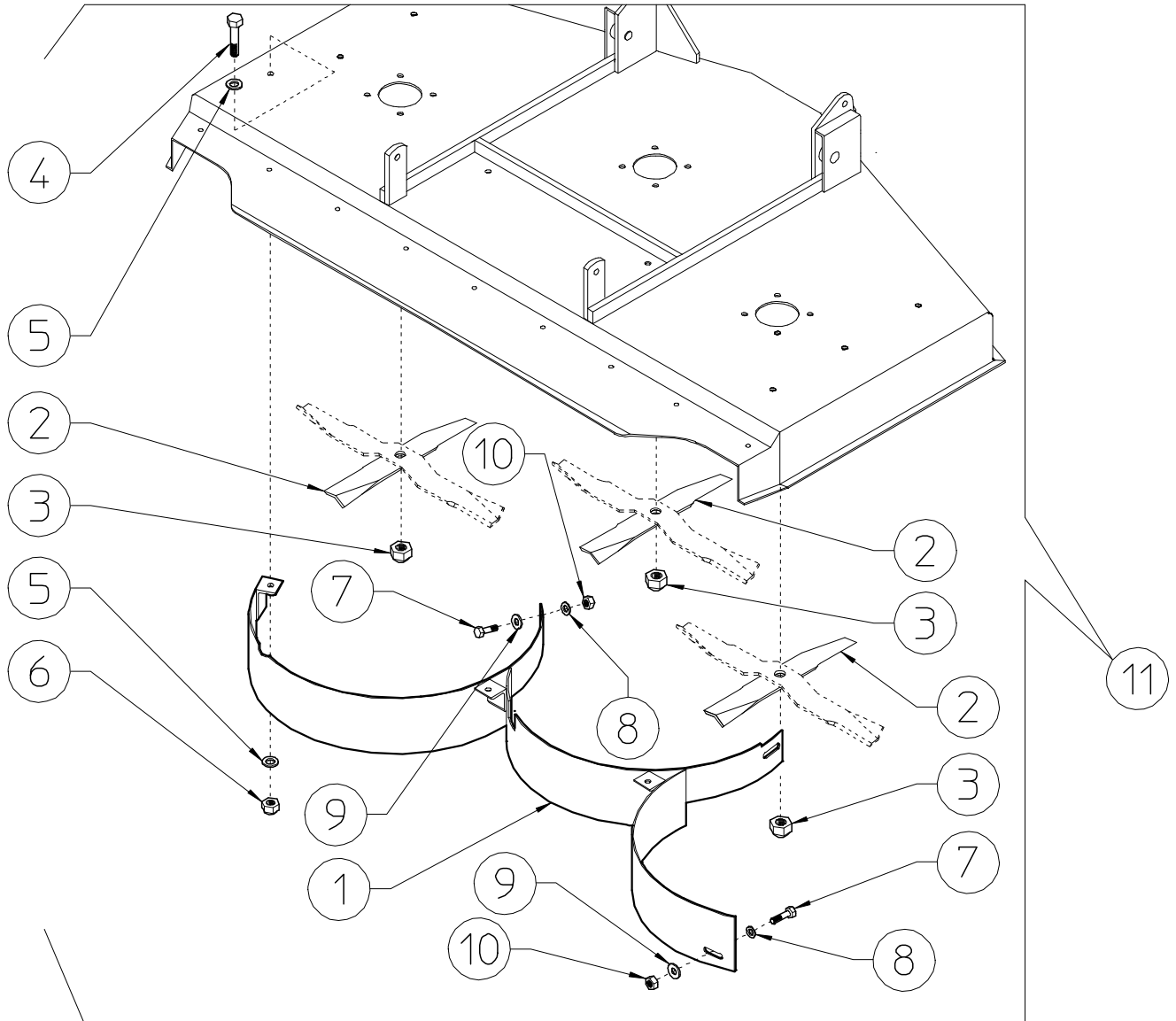


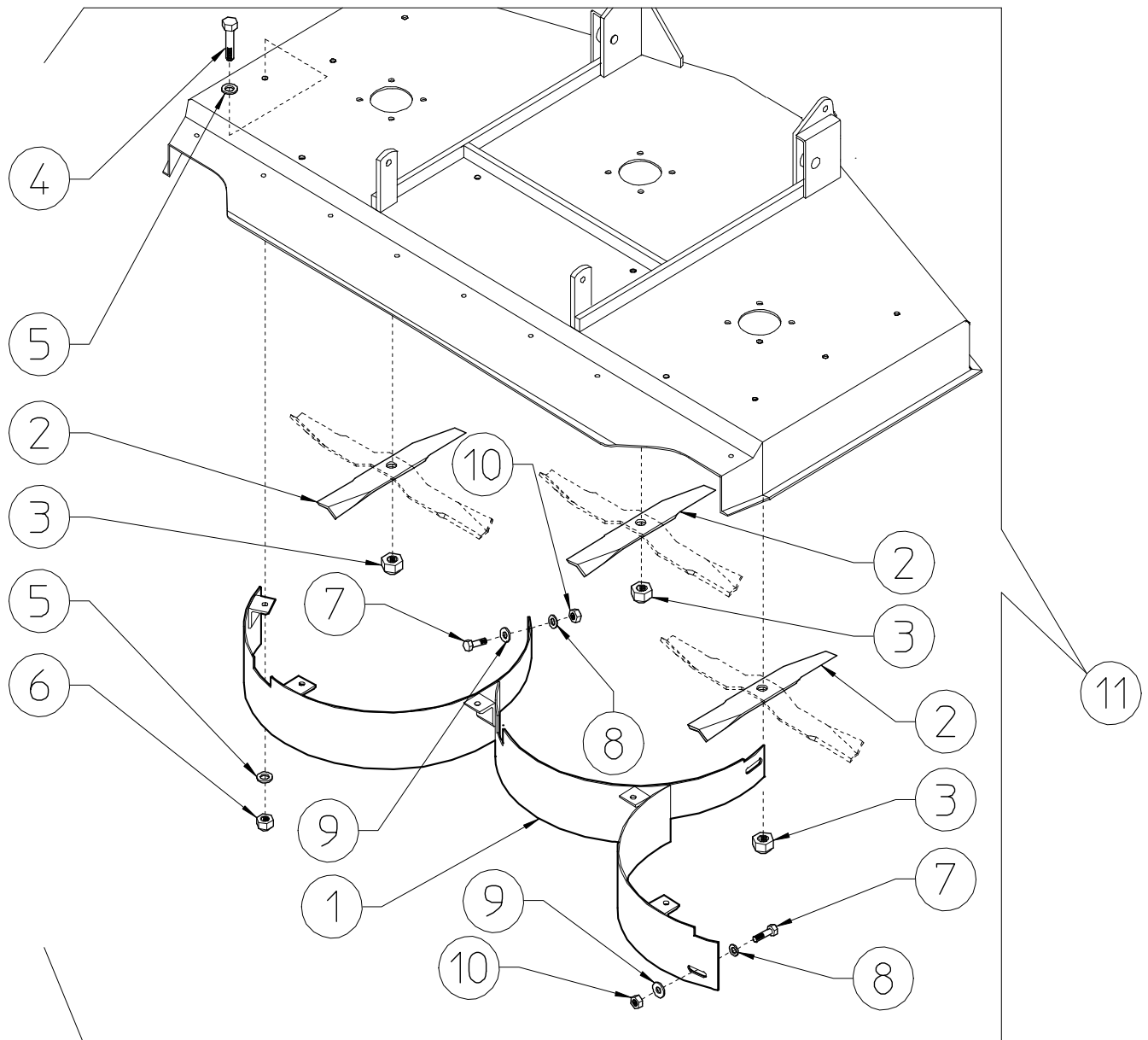
TABLE PART NO 910.061								
ITEM	DESCRIPTION		SM/120L		SM/150L		SM/180L	
			Q.ty	PART NO	Q.ty	PART NO	Q.ty	PART NO
1*	CONVEYOR	CONVOYEUR	1	100.521	1	100.523	1	100.525
2*	BLADE	LAME	3	100.357	3	100.358	3	100.359
3*	NUT M16x1,5	ECROU M16x1,5	3	610.701	3	610.701	3	610.701
4*	SCREW M10x25	VIS M10x25	4	600.006	5	600.006	6	600.006
5*	SCREW M8x25	VIS M8x25	1	600.702	*	*	*	*
6*	SCREW M8x20	VIS M8x20	2	600.223	3	600.223	3	600.223
7*	WASHER $\phi$ 10,5	RONDELLE $\phi$ 10,5	8	600.322	10	600.322	12	600.322
8*	WASHER $\phi$ 8,5	RONDELLE $\phi$ 8,5	3	600.115	3	600.115	3	600.115
9*	LARGE WASHER $\phi$ 8,5	RONDELLE LARGUE $\phi$ 8,5	3	610.185	3	610.185	3	610.185
10*	NUT M10-DIN980	ECROU M10-DIN980	4	600.029	5	600.029	6	600.029
11*	NUT M8-DIN980	ECROU M8-DIN980	3	600.076	3	600.076	3	600.076
*	MULCHING KIT	KIT MULCHING	1	100.507	1	100.509	1	100.511

## MULCH KIT FOR SM/120P PART NO 110.282



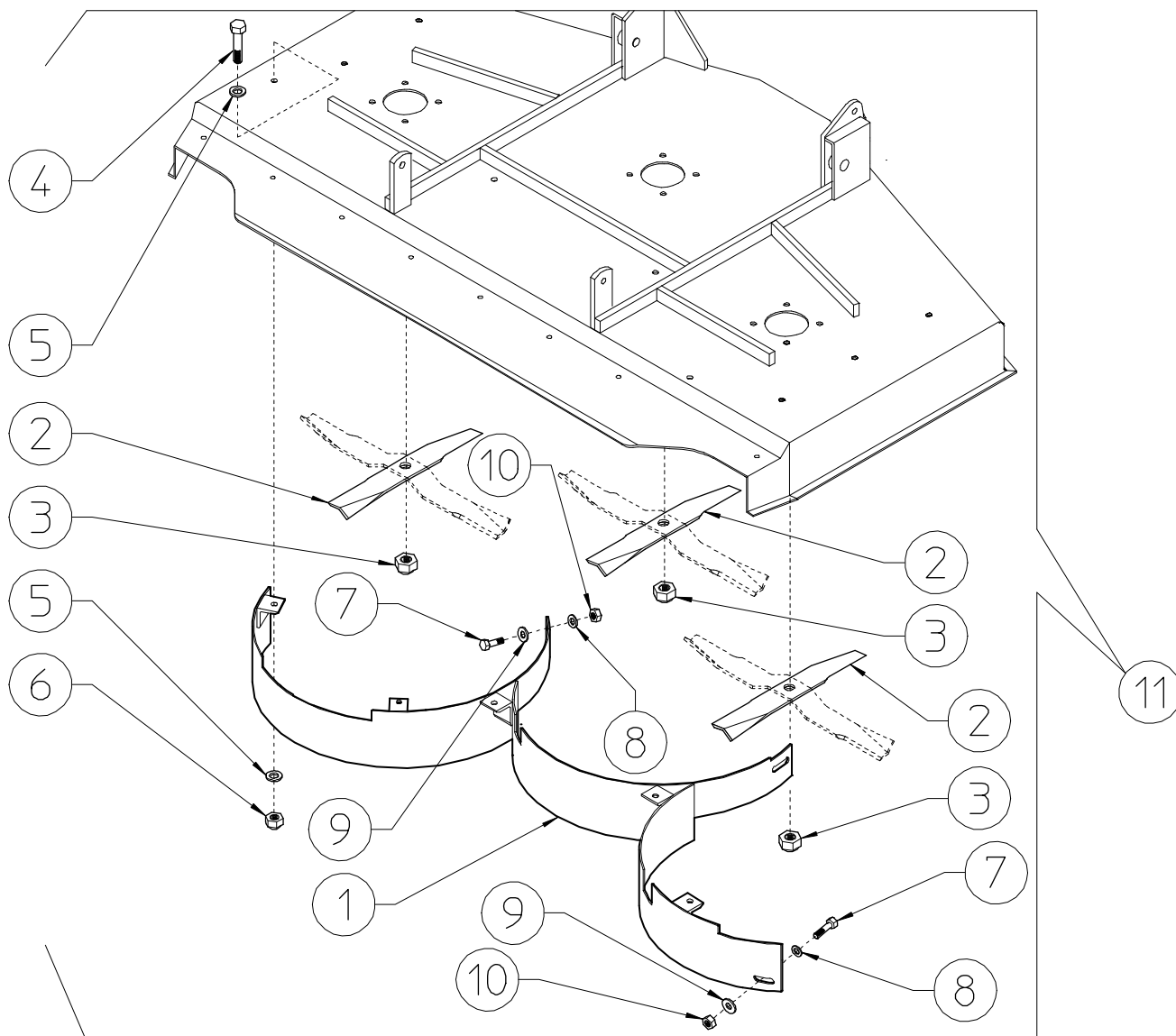
MULCH KIT FOR SM/120P			
ITEM	DESCRIPTION	Q.ty	PART NO
1	CONVEYOR	1	110.323
2	BLADE L.10,24" (260mm)	3	100.357
3	NUT M18x1,5	3	610.701
4	SCREW M10x25 DIN 933	3	600.006
5	WASHER $\phi$ 10,5 DIN 125A	6	600.322
6	NUT M10 DIN 980	3	600.029
7	SCREW M8x20 DIN 933	3	600.223
8	WASHER $\phi$ 8,4 DIN 125A	3	600.115
9	LARGE WASHER $\phi$ 9-24x2 UNI 6593	3	610.185
10	NUT M8 DIN 980	3	600.076
11	MULCH KIT	1	110.282

## MULCH KIT FOR SM/150P PART NO 110.283



MULCH KIT FOR SM/150P			
ITEM	DESCRIPTION	Q.ty	PART NO
1	CONVEYOR	1	110.324
2	BLADE L.13,78" (350mm)	3	100.358
3	NUT M18x1,5	3	610.701
4	SCREW M10x25 DIN 933	5	600.006
5	WASHER $\phi$ 10,5 DIN 125A	10	600.322
6	NUT M10 DIN 980	5	600.029
7	SCREW M8x20 DIN 933	3	600.223
8	WASHER $\phi$ 8,4 DIN 125A	3	600.115
9	LARGE WASHER $\phi$ 9-24x2 UNI 6593	3	610.185
10	NUT M8 DIN 980	3	600.076
11	MULCH KIT	1	110.283

## MULCH KIT FOR SM/180P PART NO 110.284



### MULCH KIT FOR SM/180P

ITEM	DESCRIPTION	Q.ty	PART NO
1	CONVEYOR	1	110.325
2	BLADE L.16,54 (420mm)	3	100.359
3	NUT M18x1,5	3	610.701
4	SCREW M10x25 DIN 933	5	600.006
5	WASHER $\phi$ 10,5 DIN 125A	10	600.322
6	NUT M10 DIN 980	5	600.029
7	SCREW M8x20 DIN 933	3	600.223
8	WASHER $\phi$ 8,4 DIN 125A	3	600.115
9	LARGE WASHER $\phi$ 9-24x2 UNI 6593	3	610.185
10	NUT M8 DIN 980	3	600.076
11	MULCH KIT	1	110.284

# OPTIONAL

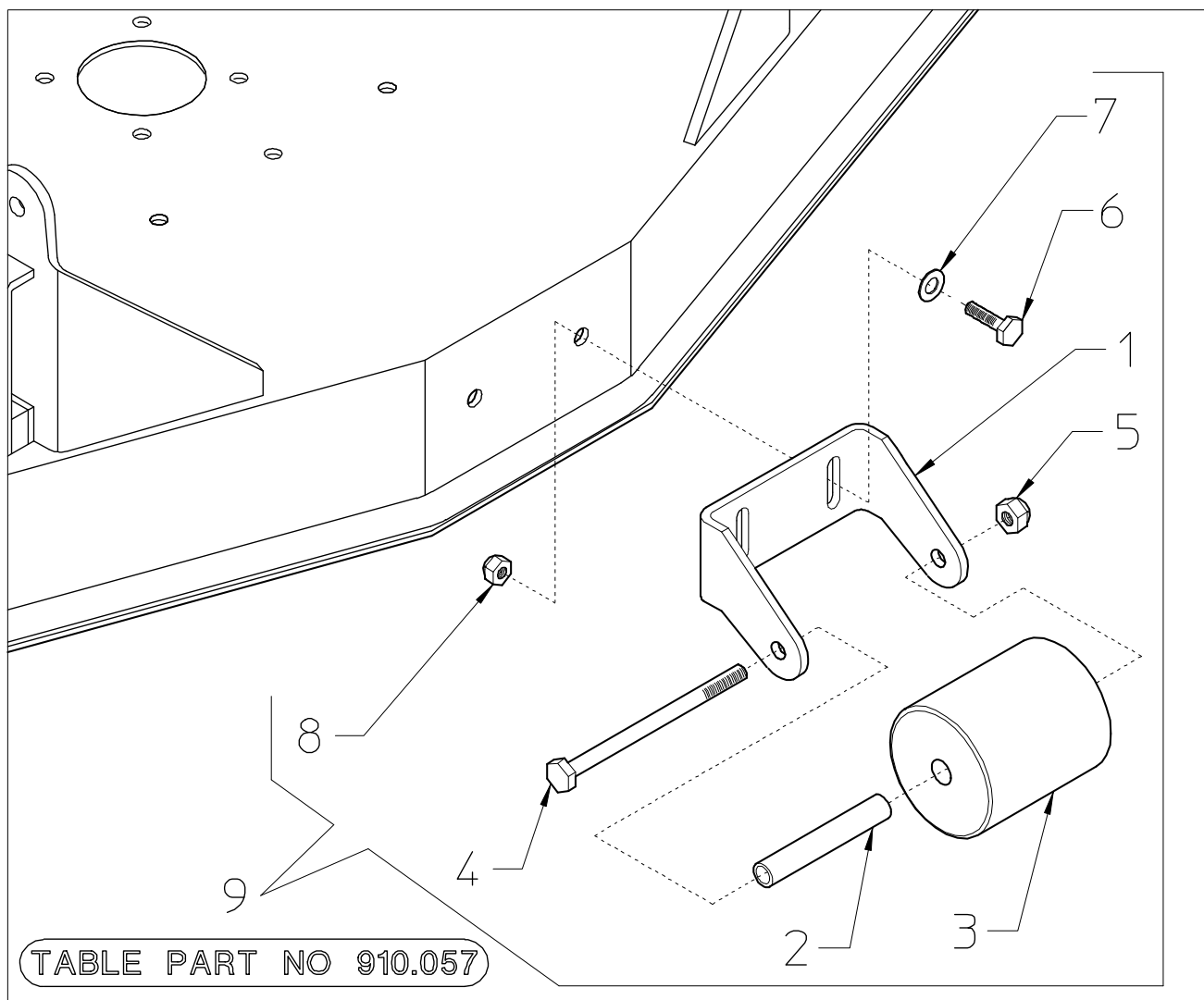
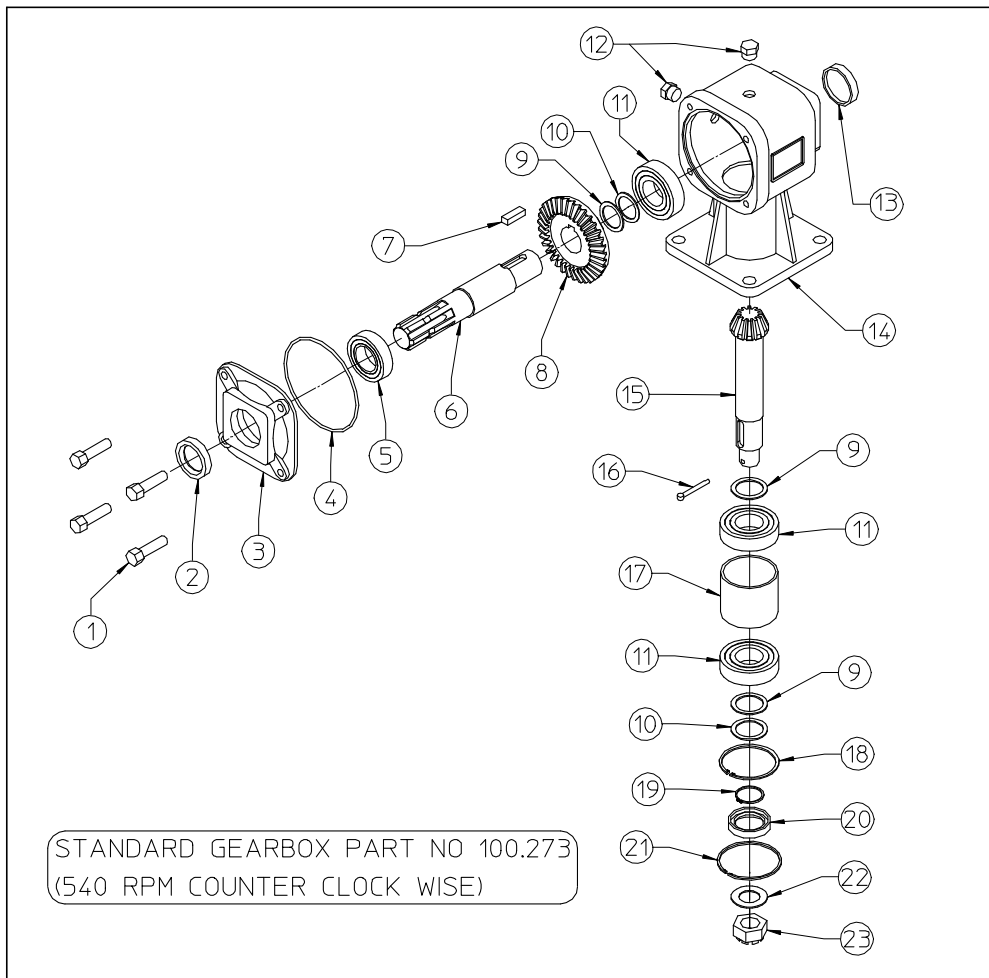


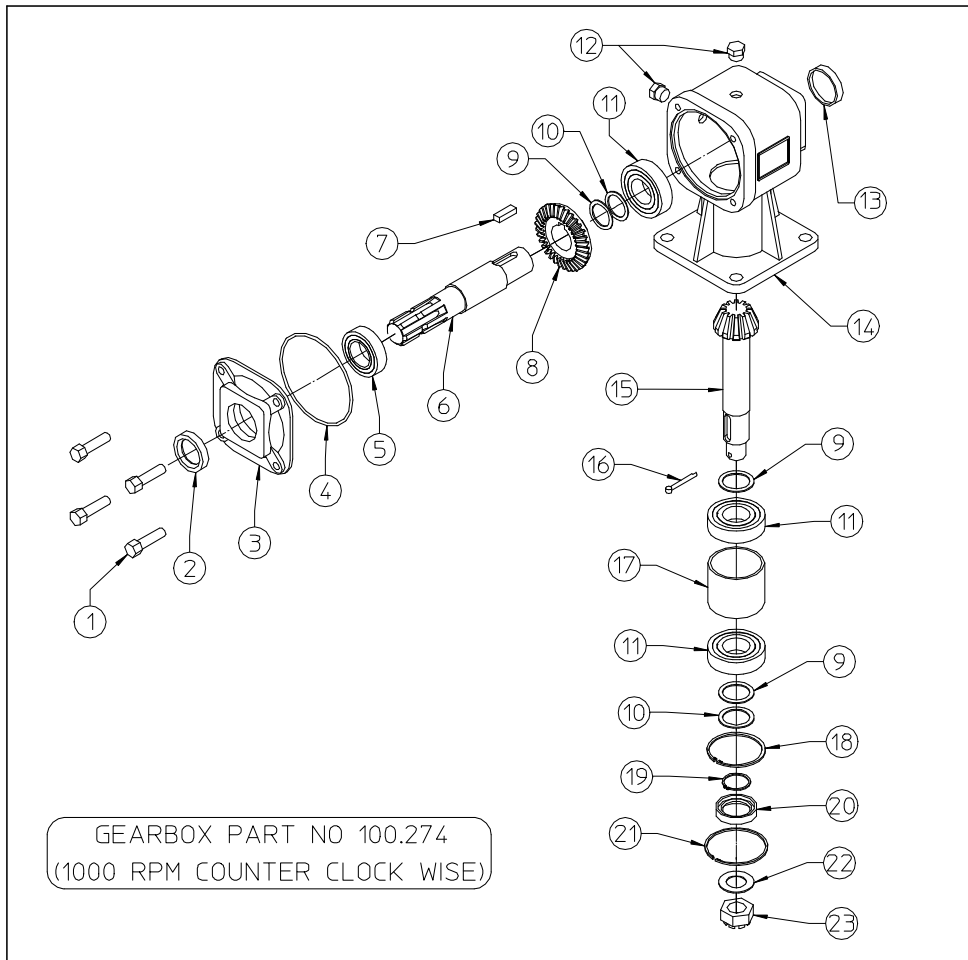
TABLE PART NO 910.057					
ITEM	DESCRIPTION	DESCRIPTION	Q.ty	PART NO	NOTE
1	SUPPORT	SUPPORT	1	100.258	SM/120-150-180
1	SUPPORT	SUPPORT	1	100.263	SM/230
2	SPACER	ENTRETOISE	1	100.259	SM/120-150-180
2	SPACER	ENTRETOISE	1	100.504	230/P
3	ROLLER	ROULEAU	1	100.260	SM/120-150-180
3	ROLLER	ROULEAU	1	100.505	SM/230
4	SCREW (M12x160)	VIS (M12x160)	1	600.807	SM/120-150-180
4	SCREW (M12x220)	VIS (M12x220)	1	610.676	SM/230
5	NUT (M12-DIN 980)	ECROU (M12-DIN 980)	1	600.077	
6	SCREW (M10x25)	VIS (M10x25)	2	600.006	
7	WASHER $\phi$ 10,5	RONDELLE $\phi$ 10,5	2	600.322	
8	NUT (M10-DIN 980)	ECROU (M10-DIN 980)	2	600.029	
9	ANTISCALPING KIT, COMPLETE	GROUPE ROLEAU FRONTALE	1	100.364	SM/120-150-180
9	ANTISCALPING KIT, COMPLETE	GROUPE ROLEAU FRONTALE	1	100.503	SM/230



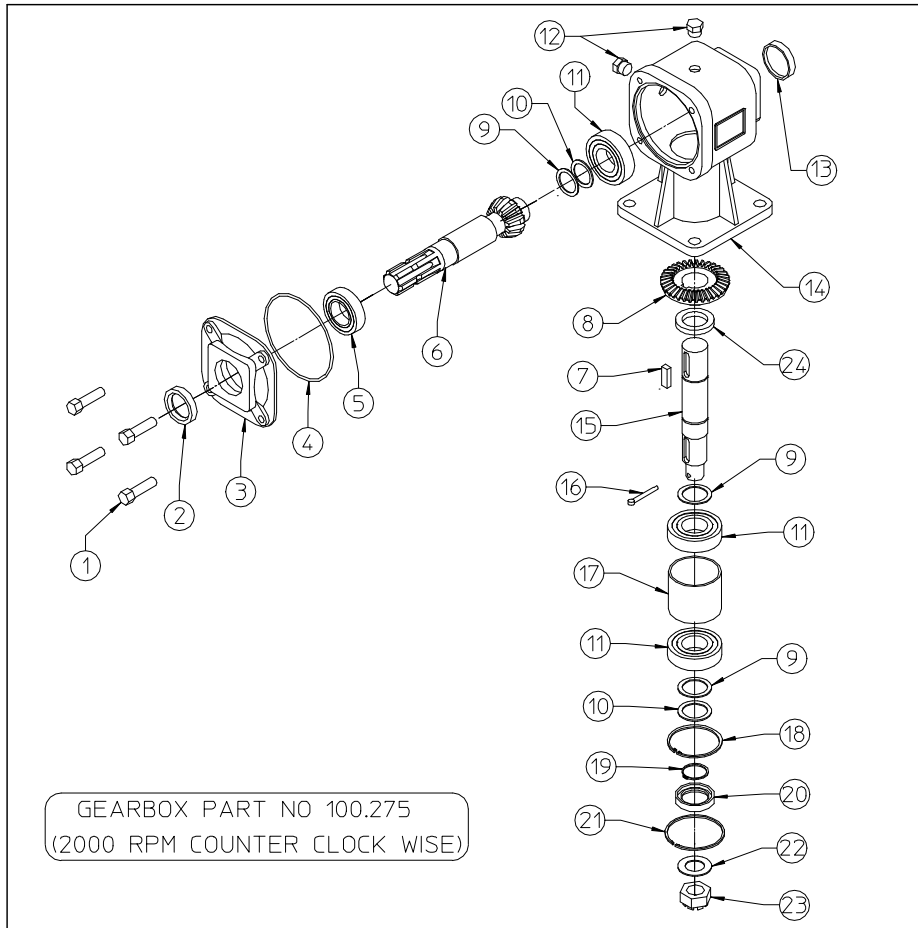
**GEARBOX / MULTIPLIER PART NO 100.273**

ITEM	Q.ty	PART NO	DESCRIPTION	DESCRIPTION	NOTE
1	4	600.054	SCREW (M10x25)	VIS (M10x25)	
2	1	600.346	GASKET $\phi 35-52 \times 7$	GARNITURE $\phi 35-52 \times 7$	
3	1	100.272	COVER	BOUCHON	
4	1	600.345	OR GASKET	JOINT	
5	1	600.342	BEARING 6007	PALIER 6007	
6	1	100.268	PTO SHAFT	ARBRE	
7	1	600.325	LATCH A10x8x30	CLAVETTE A10x8x30	
8	1	100.269	CROWN Z34	COURONNE Z34	
9	3	200.274	SHIM $\phi 35,2 \times 0,5$	EPAISSEUR $\phi 35,2 \times 0,5$	
10	2	200.490	SHIM $\phi 35,2 \times 0,3$	EPAISSEUR $\phi 35,2 \times 0,3$	
11	3	600.327	BEARING 6207	PALIER 6207	
12	2	600.560	PLUG 3/8"	BOUCHON 3/8"	
13	1	600.328	CAP	CAPSULE	
14	1	100.267	GEARBOX	BOITE	
15	1	100.271	PINION Z12	PIGNON Z12	
16	1	600.347	SPLIT PIN $\phi 5 \times 50$	GOUPILLE $\phi 5 \times 50$	
17	1	100.270	SPACER	ENTRETOISE	
18	1	600.332	SNAP RING I 72	SEGMENT D'ARRET I 72	
19	1	600.333	SNAP RING E 35	SEGMENT D'ARRET E 35	
20	1	600.338	GASKET $\phi 35-72 \times 10$	GARNITURE $\phi 35-72 \times 10$	
21	1	600.337	RING SB 72	ANNEAU SB 72	
22	1	600.335	WASHER $\phi 25$	RONDELLE $\phi 25$	
23	1	600.296	NUT M24x2	ECROU M24x2	

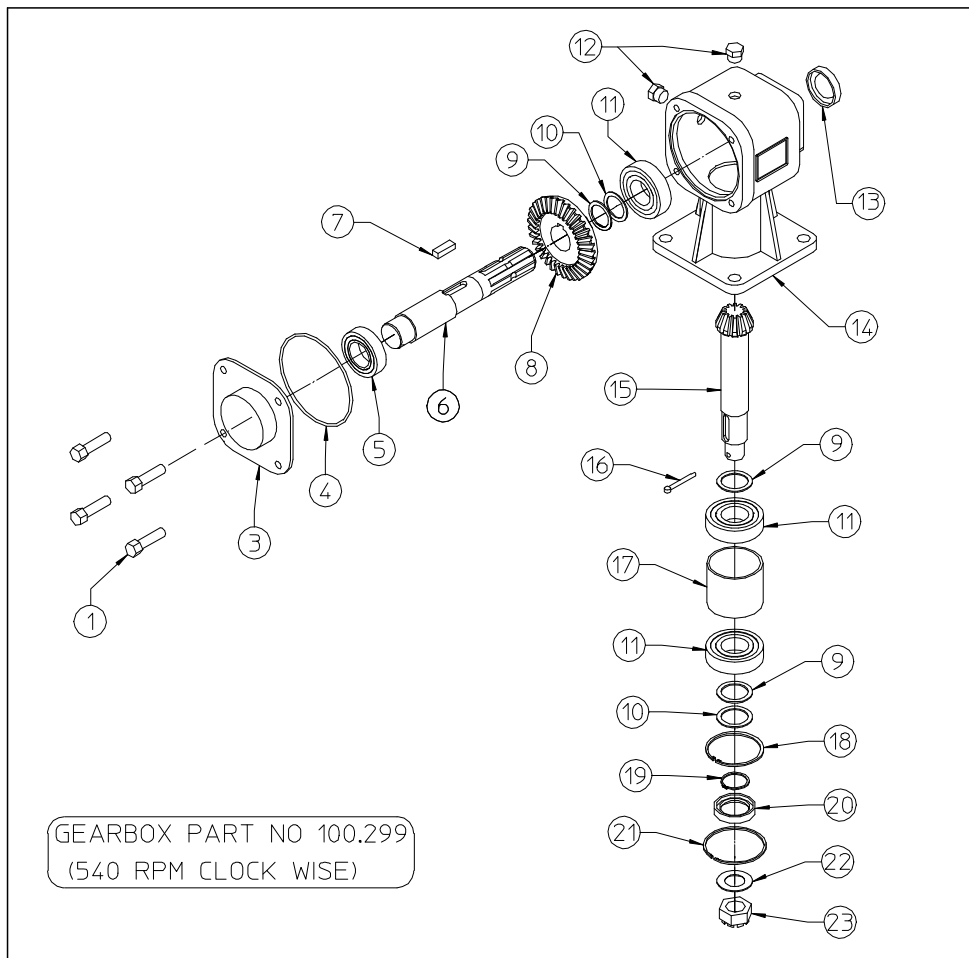




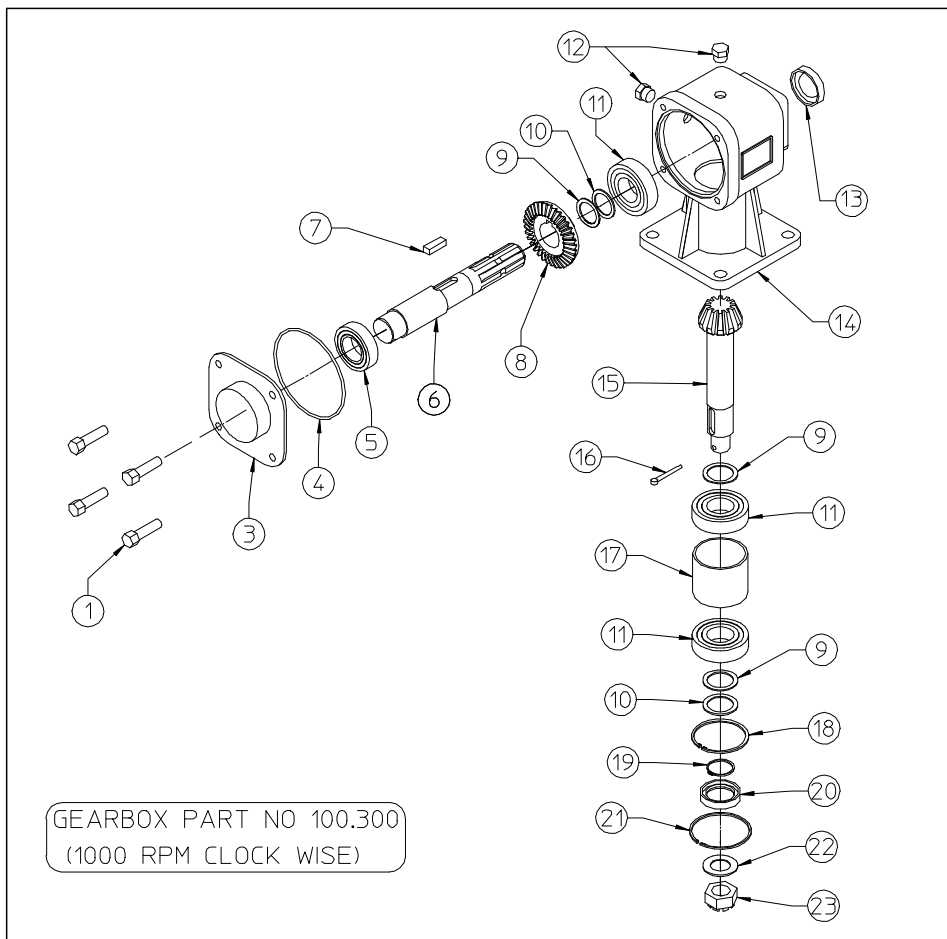
GEARBOX / MULTIPLIER PART NO 100.274					
ITEM	Q.ty	PART NO	DESCRIPTION	DESCRIPTION	NOTE
1	4	600.054	SCREW (M10x25)	VIS (M10x25)	
2	1	600.346	GASKET $\phi 35-52 \times 7$	GARNITURE $\phi 35-52 \times 7$	
3	1	100.272	COVER	BOUCHON	
4	1	600.345	OR GASKET	JOINT	
5	1	600.342	BEARING 6007	PALIER 6007	
6	1	100.268	PTO SHAFT	ARBRE	
7	1	600.325	LATCH A10x8x30	CLAVETTE A10x8x30	
8	1	100.276	CROWN Z19	COURONNE Z19	
9	3	200.274	SHIM $\phi 35,2 \times 0,5$	EPAISSEUR $\phi 35,2 \times 0,5$	
10	2	200.490	SHIM $\phi 35,2 \times 0,3$	EPAISSEUR $\phi 35,2 \times 0,3$	
11	3	600.327	BEARING 6207	PALIER 6207	
12	2	600.560	PLUG 3/8"	BOUCHON 3/8"	
13	1	600.328	CAP	CAPSULE	
14	1	100.267	GEARBOX	BOITE	
15	1	100.277	PINION Z13	PIGNON Z13	
16	1	600.347	SPLIT PIN $\phi 5 \times 50$	GOUPILLE $\phi 5 \times 50$	
17	1	100.270	SPACER	ENTRETOISE	
18	1	600.332	SNAP RING I 72	SEGMENT D'ARRET I 72	
19	1	600.333	SNAP RING E 35	SEGMENT D'ARRET E 35	
20	1	600.338	GASKET $\phi 35-72 \times 10$	GARNITURE $\phi 35-72 \times 10$	
21	1	600.337	RING SB 72	ANNEAU SB 72	
22	1	600.335	WASHER $\phi 25$	RONDELLE $\phi 25$	
23	1	600.296	NUT M24x2	ECROU M24x2	



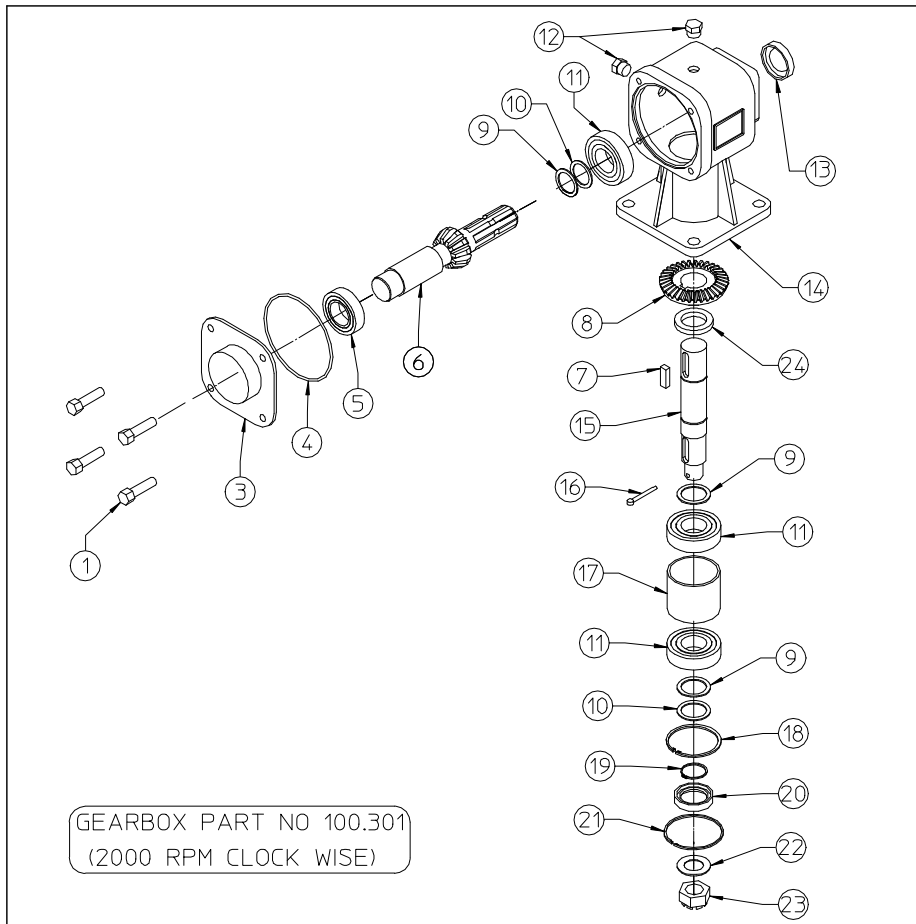
GEARBOX / MULTIPLIER PART NO 100.275					
ITEM	Q.ty	PART NO	DESCRIPTION	DESCRIPTION	NOTE
1	4	600.054	SCREW (M10x25)	VIS (M10x25)	
2	1	600.346	GASCKET $\phi 35-52 \times 7$	GARNITURE $\phi 35-52 \times 7$	
3	1	100.272	COVER	BOUCHON	
4	1	600.345	OR GASCKET	JOINT	
5	1	600.342	BEARING 6007	PALIER 6007	
6	1	100.279	PTO SHAFT WITH PINION Z14	ARBRE AVEC PINION Z 14	
7	1	600.325	LATCH A10x8x30	CLAVETTE A10x8x30	
8	1	100.278	CROWN Z19	COURONNE Z19	
9	3	200.274	SHIM $\phi 35,2 \times 0,5$	EPAISSEUR $\phi 35,2 \times 0,5$	
10	2	200.490	SHIM $\phi 35,2 \times 0,3$	EPAISSEUR $\phi 35,2 \times 0,3$	
11	3	600.327	BEARING 6207	PALIER 6207	
12	2	600.560	PLUG 3/8"	BOUCHON 3/8"	
13	1	600.328	CAP	CAPSULE	
14	1	100.267	GEARBOX	BOITE	
15	1	100.304	SHAFT	ARBRE	
16	1	600.347	SPLIT PIN $\phi 5 \times 50$	GOUPILLE $\phi 5 \times 50$	
17	1	100.270	SPACER	ENTRETOISE	
18	1	600.332	SNAP RING I 72	SEGMENT D'ARRET I 72	
19	1	600.333	SNAP RING E 35	SEGMENT D'ARRET E 35	
20	1	600.338	GASCKET $\phi 35-72 \times 10$	GARNITURE $\phi 35-72 \times 10$	
21	1	600.337	RING SB 72	ANNEAU SB 72	
22	1	600.335	WASHER $\phi 25$	RONDELLE $\phi 25$	
23	1	600.296	NUT M24x2	ECROU M24x2	
24	1	100.331	SHIM	EPAISSEUR	



GEARBOX / MULTIPLIER PART NO 100.299					
ITEM	Q.ty	PART NO	DESCRIPTION	DESCRIPTION	NOTE
1	4	600.054	SCREW (M10x25)	VIS (M10x25)	
3	1	100.303	COVER	BOUCHON	
4	1	600.345	OR GASCKET	JOINT	
5	1	600.342	BEARING 6007	PALIER 6007	
6	1	100.302	PTO SHAFT	ARBRE	
7	1	600.325	LATCH A10x8x30	CLAVETTE A10x8x30	
8	1	100.269	CROWN Z34	COURONNE Z34	
9	3	200.274	SHIM $\phi 35,2 \times 0,5$	EPAISSEUR $\phi 35,2 \times 0,5$	
10	2	200.490	SHIM $\phi 35,2 \times 0,3$	EPAISSEUR $\phi 35,2 \times 0,3$	
11	3	600.327	BEARING 6207	PALIER 6207	
12	2	600.560	PLUG 3/8"	BOUCHON 3/8"	
13	1	600.346	GASCKET $\phi 35-52 \times 7$	GARNITURE $\phi 35-52 \times 7$	
14	1	100.267	GEARBOX	BOITE	
15	1	100.271	SHAFT WITH PINION Z12	ARBRE AVEC PINION Z12	
16	1	600.347	SPLIT PIN $\phi 5 \times 50$	GOUPILLE $\phi 5 \times 50$	
17	1	100.270	SPACER	ENTRETOISE	
18	1	600.332	SNAP RING I 72	SEGMENT D'ARRET I 72	
19	1	600.333	SNAP RING E 35	SEGMENT D'ARRET E 35	
20	1	600.338	GASCKET $\phi 35-72 \times 10$	GARNITURE $\phi 35-72 \times 10$	
21	1	600.337	RING SB 72	ANNEAU SB 72	
22	1	600.335	WASHER $\phi 25$	RONDELLE $\phi 25$	
23	1	600.296	NUT M24x2	ECROU M24x2	
24	1	100.331	SHIM	EPAISSEUR	

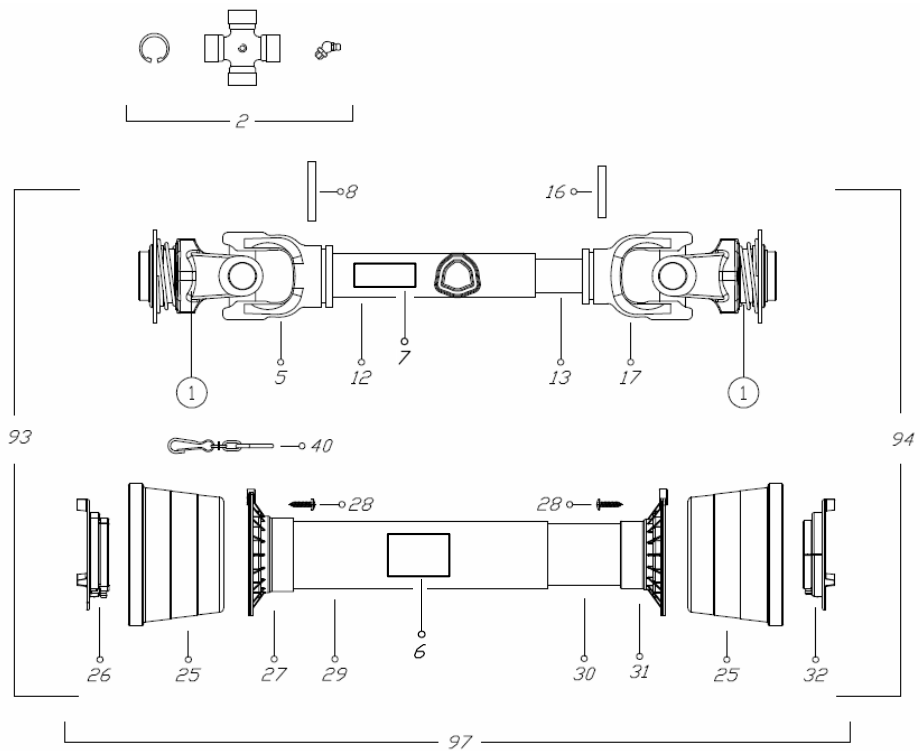


GEARBOX / MULTIPLIER PART NO 100.300					
ITEM	Q.ty	PART NO	DESCRIPTION	DESCRIPTION	NOTE
1	4	600.054	SCREW (M10x25)	VIS (M10x25)	
3	1	100.303	COVER	BOUCHON	
4	1	600.345	OR GASCKET	JOINT	
5	1	600.342	BEARING 6007	PALIER 6007	
6	1	100.302	PTO SHAFT	ARBRE	
7	1	600.325	LATCH A10x8x30	CLAVETTE A10x8x30	
8	1	100.276	CROWN Z19	COURONNE Z19	
9	3	200.274	SHIM $\phi 35,2 \times 0,5$	EPAISSEUR $\phi 35,2 \times 0,5$	
10	2	200.490	SHIM $\phi 35,2 \times 0,3$	EPAISSEUR $\phi 35,2 \times 0,3$	
11	3	600.327	BEARING 6207	PALIER 6207	
12	2	600.560	PLUG 3/8"	BOUCHON 3/8"	
13	1	600.346	GASCKET $\phi 35-52 \times 7$	GARNITURE $\phi 35-52 \times 7$	
14	1	100.267	GEARBOX	BOITE	
15	1	100.277	SHAFT WITH PINION Z13	ARBRE AVEC PINION Z13	
16	1	600.347	SPLIT PIN $\phi 5 \times 50$	GOUPILLE $\phi 5 \times 50$	
17	1	100.270	SPACER	ENTRETOISE	
18	1	600.332	SNAP RING I 72	SEGMENT D'ARRET I 72	
19	1	600.333	SNAP RING E 35	SEGMENT D'ARRET E 35	
20	1	600.338	GASCKET $\phi 35-72 \times 10$	GARNITURE $\phi 35-72 \times 10$	
21	1	600.337	RING SB 72	ANNEAU SB 72	
22	1	600.335	WASHER $\phi 25$	RONDELLE $\phi 25$	
23	1	600.296	NUT M24x2	ECROU M24x2	

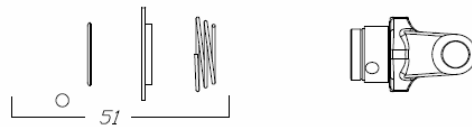


GEARBOX / MULTIPLIER PART NO 100.301					
ITEM	Q.ty	PART NO	DESCRIPTION	DESCRIPTION	NOTE
1	4	600.054	SCREW (M10x25)	VIS (M10x25)	
3	1	100.303	COVER	BOUCHON	
4	1	600.345	OR GASCKET	JOINT	
5	1	600.342	BEARING 6007	PALIER 6007	
6	1	100.314	SHAFT WITH PINION Z14	ARBRE AVEC PINION Z14	
7	1	600.325	LATCH A10x8x30	CLAVETTE A10x8x30	
8	1	100.278	CROWN Z19	COURONNE Z19	
9	3	200.274	SHIM $\phi 35,2 \times 0,5$	EPAISSEUR $\phi 35,2 \times 0,5$	
10	2	200.490	SHIM $\phi 35,2 \times 0,3$	EPAISSEUR $\phi 35,2 \times 0,3$	
11	3	600.327	BEARING 6207	PALIER 6207	
12	2	600.560	PLUG 3/8"	BOUCHON 3/8"	
13	1	600.346	GASCKET $\phi 35-52 \times 7$	GARNITURE $\phi 35-52 \times 7$	
14	1	100.267	GEARBOX	BOITE	
15	1	100.304	SHAFT	ARBRE	
16	1	600.347	SPLIT PIN $\phi 5 \times 50$	GOUPILLE $\phi 5 \times 50$	
17	1	100.270	SPACER	ENTRETOISE	
18	1	600.332	SNAP RING I 72	SEGMENT D'ARRET I 72	
19	1	600.333	SNAP RING E 35	SEGMENT D'ARRET E 35	
20	1	600.338	GASCKET $\phi 35-72 \times 10$	GARNITURE $\phi 35-72 \times 10$	
21	1	600.337	RING SB 72	ANNEAU SB 72	
22	1	600.335	WASHER $\phi 25$	RONDELLE $\phi 25$	
23	1	600.296	NUT M24x2	ECROU M24x2	
24	1	100.331	SHIM	EPAISSEUR	

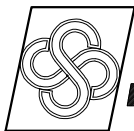
# CARDAN SHAFT B2 090 E PART NO 630.428



①



CARDAN SHAFT/ARBRE A CARDAN Part No. 630.428				
Item Pos.	Part No. Code	Q.ty	DESCRIPTION	NOTE
1	620.842	2	YOKE	
2	610.052	2	CROSS JOURNAL ASS.	
5	610.249	1	OUTER TUBE YOKE	
6	001.411	1	LABEL "DANGER ROTATING ....."	
7	001.316	1	LABEL "DANGER SHIELD..."	
8	610.211	1	FLEXIBLE PIN	
12	610.210	1	CM. 100 CARDAN TUBE(*)	
13	610.123	1	CM. 100 CARDAN TUBE(*)	
16	630.411	1	FLEXIBLE PIN	
17	610.250	1	INNER TUBE YOKE	
25	630.412	2	CONE SHIELD BELL 01-02	
26	630.413	1	OUTER BEARING 02	
27	630.414	1	OUTER BASE CONE 01-02	
28	630.389	6	SCREW	
29	630.415	1	OUTER SAFETY TUBE	
30	630.416	1	INNER SAFETY TUBE	
31	630.417	1	INNER BASE CONE 01-02	
32	630.418	1	INNER BEARING 02	
40	610.068	1	CHAIN	
51	620.830	2	BALL COLLAR KITT	
93	630.419	1	OUTER HALF SHAFT	
94	630.420	1	INNER HALF SHAFT	
97	630.421	1	SAFETY GUARD	



**sitrex** AGRICULTURAL MACHINERY <sup>®</sup> Spq .

Zona Industriale-Viale Grecia, 8  
06018 TRESTINA-(Perugia)-ITALY  
Tel. +39.075.8540021-Telefax +39.075.8540523  
e-mail: sitrex@sitrex.it www.sitrex.com

