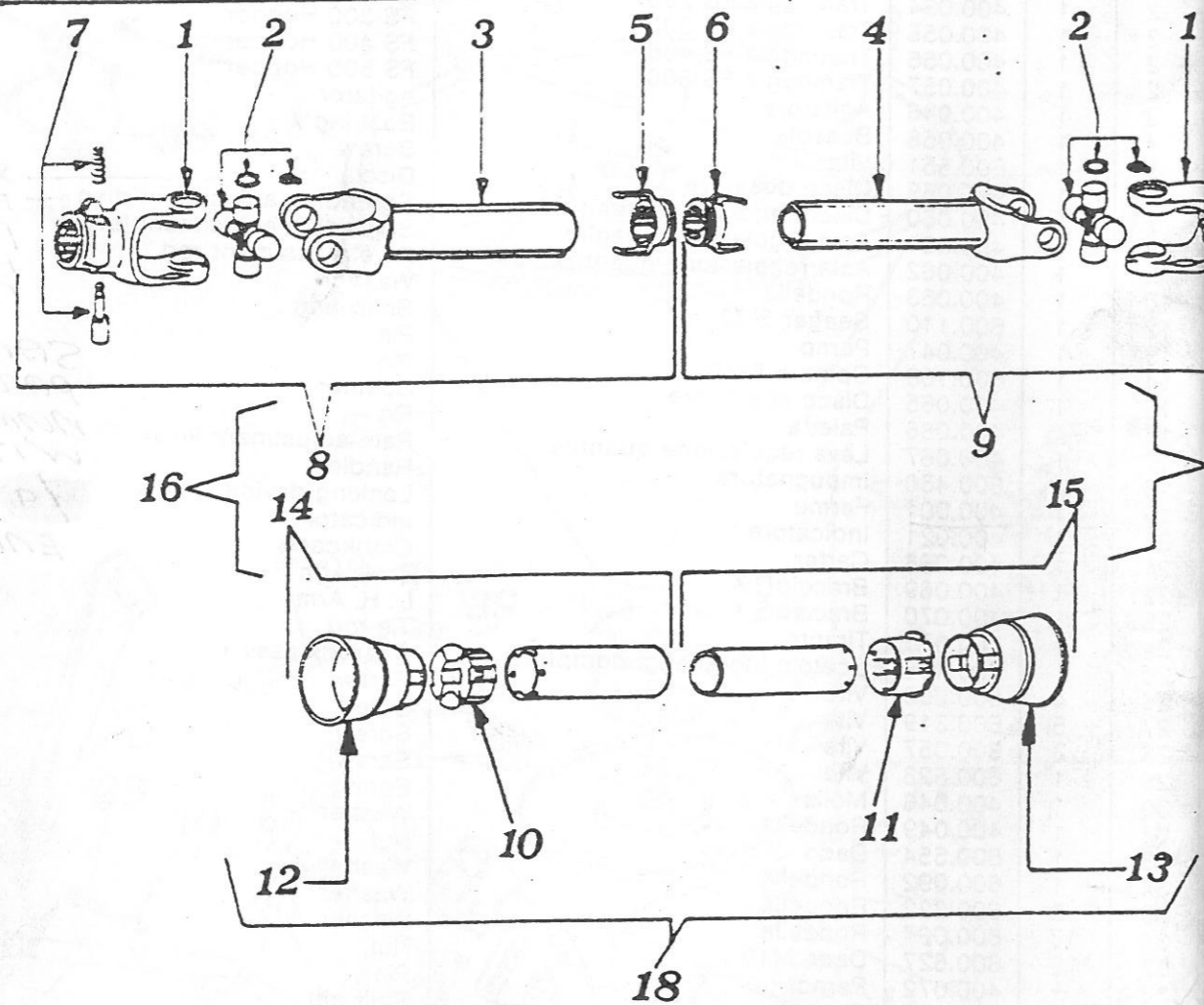


COD. 600.396

CARDAN SHAFT LO 080 Q



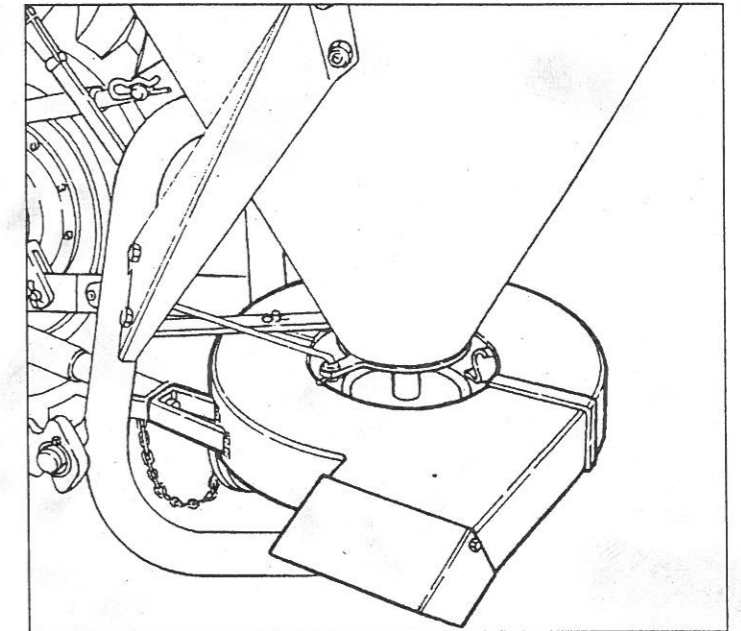
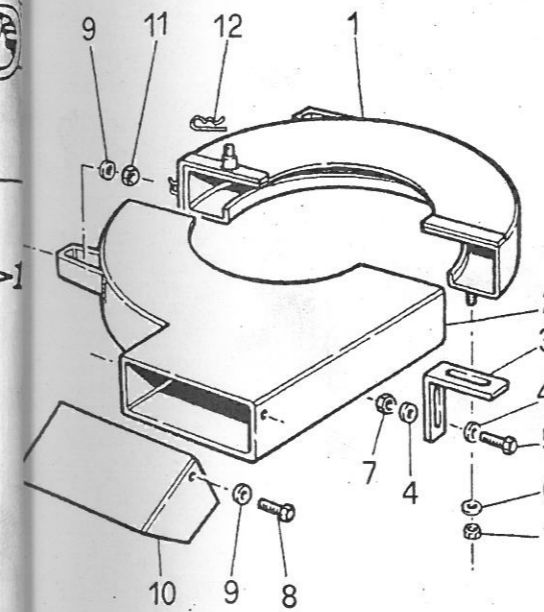
CARDAN SHAFT/ARBRE A CARDAN 600.396				
ITEM	PART NO	Q.ty	DESCRIPTION	NOTE
1	610.099	2	YOKE	
2	610.100	2	CROSS JOURNAL ASS.	
3	610.101	1	YOKE WITH OUTER TUBE	
4	610.102	1	YOKE WITH INNER TUBE	
5	610.103	1	RING FOR OUTER TUBE	
6	610.104	1	RING FOR INNER TUBE	
7	610.057	2	COMPLETE PUSH BUTTON	
8	610.105	1	HALF SHAFT-WITHOUT GUARD	
9	610.106	1	HALF SHAFT-WITHOUT GUARD	
10	610.107	1	OUTER BEARING	
11	610.114	1	INNER BEARING	
12	610.108	1	OUTER BASIC CONE	
13	610.108	1	INNER BASIC CONE	
14	610.109	1	OUTER HALF GUARD	
15	610.110	1	INNER HALF GUARD	
16	610.111	1	OUTER HALF SHAFT-WITH GUARD	
17	610.112	1	INNER HALF SHAFT- WITH GUARD	
18	610.113	1	COMPLETE GUARD	



AGRICULTURAL MACHINERY

sitrex®
s.r.l.

FS SPREADER



CONVEYOR KIT
PART NO. 400.168

ITEM	Q.ty	PART NO.	DESCRIPTION	Note
*	1	400.168	CONVEYOR KIT, COMPLETE	
1	1	400.169	CONVEYOR LH	*
2	1	400.170	CONVEYOR RH	*
3	1	400.171	BRACKET	*
4	5	600.089	WASHER	*
5	1	600.616	SCREW	*
6	1	610.300	WASHER	*
7	2	600.008	NUT	*
8	2	600.060	SCREW	*
9	3	600.992	WASHER	*
10	1	400.172	DEFLECTOR	*
11	1	600.993	NUT	*
12	1	610.279	SPLIT PIN	*