

Data Sheet

CLAROTY ENTERPRISE MANAGEMENT CONSOLE (EMC)

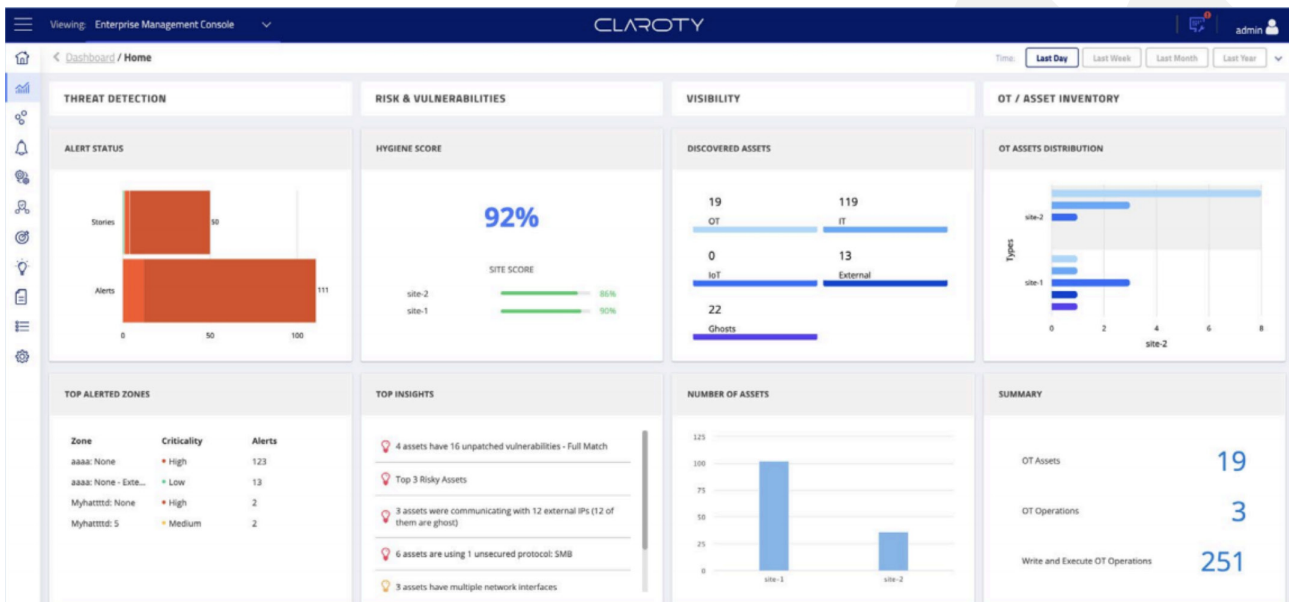
Centralized Security Controls for Industrial Environments

The OT Security Challenge & Claroty EMC

Digitalization initiatives have transformed enterprises, causing once-isolated operational technology (OT) networks to become interconnected with their information technology (IT) counterparts. The result is the rise of converged IT/OT corporate networks that IT security teams are increasingly responsible for protecting. These conditions bring IT security teams face to face with unique OT challenges, such as facilities that are distributed over broad geographic areas, a variety of unfamiliar, unrelated assets, and networks that are high-value targets by nature.

Key Features & Capabilities

- Built on an intuitive, OT-oriented interface
- Global dashboard of asset and operational data from across all sites in which The Claroty Platform is deployed
- Centralized, cloud-based threat intelligence updates in real time across all deployments
- The ability to easily update system settings and policies across all deployment sites
- Seamless integration with existing security infrastructure



Claroty EMC Home Dashboard

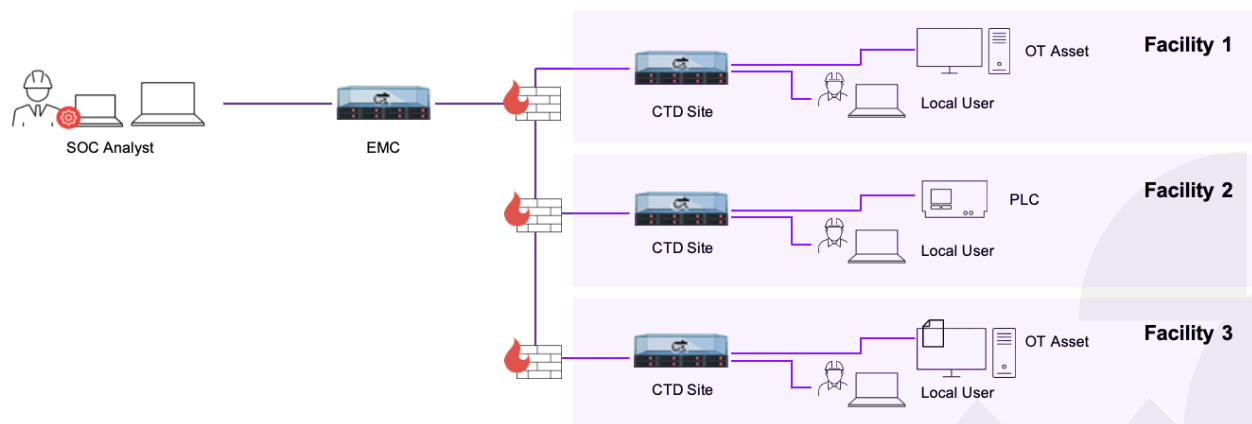
Claroty Enterprise Management Console (EMC) is a centralized interface that aggregates the data from Claroty products deployed across multiple sites. EMC is ideal for SOC deployments and provides immediate insight into an OT network's security posture via:

- **Analytics & Reporting:** The EMC dashboard displays a unified view of all assets, activities, alerts, and access controls from across the entirety of each customer's OT environment. This data is easily accessible in pre-built reports that can also be custom-configured and used for investigative purposes.
- **Integrations:** SIEM, SOAR, NAC, firewall, and other IT solutions integrate with The Claroty Platform via the EMC. This simplifies OT security and greatly reduces The Claroty Platform's total cost of ownership (TCO) by enabling customers to extend their existing IT security tools and corresponding controls into their OT environment.

EMC in The Claroty Platform

EMC is one of the three core components of The Claroty Platform and works seamlessly to support Claroty Continuous Threat Detection (CTD) with centralized data, analytics, and administrative controls. Highlights include:

- In multi-site installations of CTD (both physically and digitally), each server sends data directly to EMC for aggregation and display, providing the operator with a consolidated, cross-site view of asset and alert data.
- The latest OT-specific threat intelligence, including unique insights from the Claroty Research Team, IoCs, and common vulnerabilities and exposures (CVE) data from the National Vulnerabilities Database (NVD), can be updated across all deployments of Claroty from the central EMC station.



EMC sample deployment architecture

About Claroty

Claroty bridges the industrial cybersecurity gap between information technology (IT) and operational technology (OT) environments. Organizations with highly automated production sites and factories that face significant security and financial risk especially need to bridge this gap. Armed with Claroty's converged IT/OT solutions, these enterprises and critical infrastructure operators can leverage their existing IT security processes and technologies to improve the availability, safety, and reliability of their OT assets and networks seamlessly and without requiring downtime or dedicated teams. The result is more uptime and greater efficiency across business and production operations.

Backed and adopted by leading industrial automation vendors, Claroty is deployed on all seven continents globally. The company is headquartered in New York City and has received \$100 million in funding since being launched by the famed Team8 foundry in 2015.



CONTACT US
contact@claroty.com

