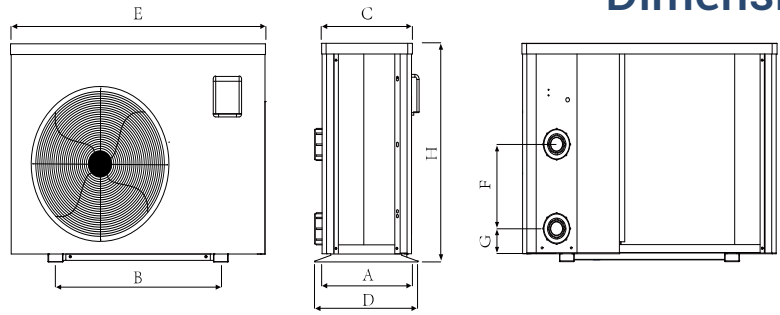
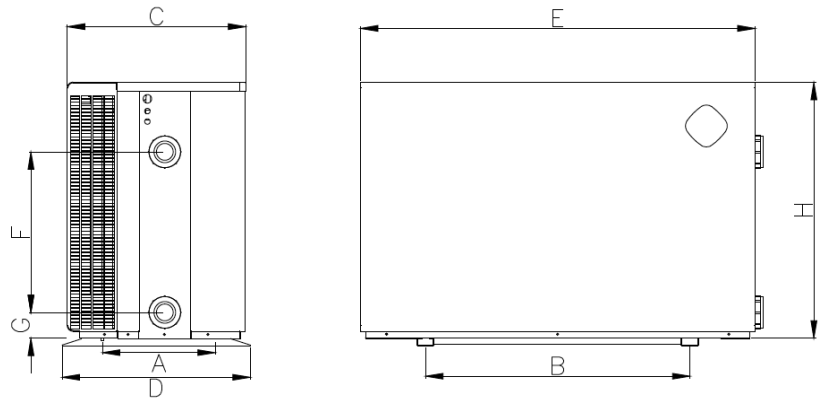


Dimension



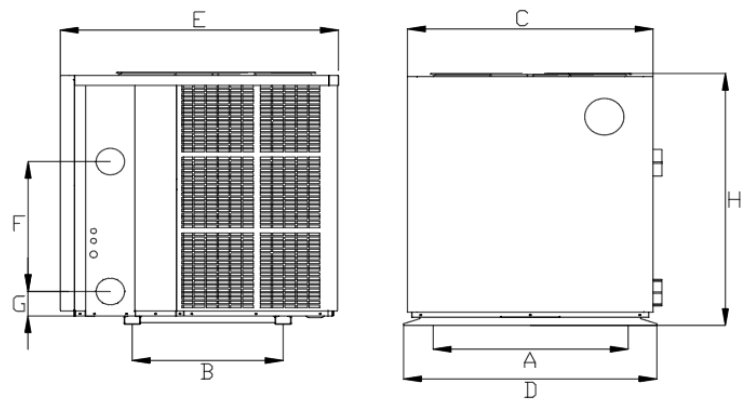
ECO

MODEL / SIZE (mm)	A	B	C	D	E	F	G	H
ECO90/240MM	324	560	347	349	872	250	74	654
ECO130/240MM	324	560	347	349	872	320	74	654
ECO160/240MM	324	590	347	349	962	350	74	654
ECO200/240MM	324	590	347	349	962	350	74	754
ECO240/240MM	395	590	415	420	962	460	74	757



ELITE V3

MODEL / SIZE (mm)	A	B	C	D	E	F	G	H
ESV3-110	510	450	504	530	749	300	75	656
ESV3-140	510	450	504	530	749	280	75	656
ESV3-170	510	540	504	530	839	350	75	656
ESV3-220	510	680	504	530	979	460	75	756
ESV3-270	520	760	514	540	1132	460	75	756
ESV3-320					TBC			
ESV3-400					TBC			



ECLIPSE

MODEL / SIZE (mm)	A	B	C	D	E	F	G	H
ETD160/240MM	685	423	689	710	780	340	75	656
ETD210/240MM	685	423	689	710	780	390	75	656
ETD260/240MM	685	423	689	710	780	460	75	756

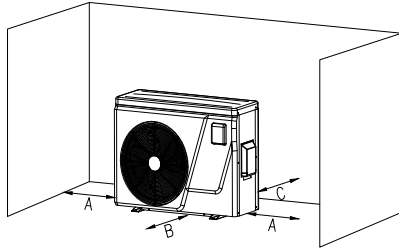
* Above data is subject to modification without notice.

Note: The picture above and the specification diagram of the pool heater is for the technician's installation and layout reference only. The product is subject to adjustment periodically for improvement without further notice.

Ventilation requirements

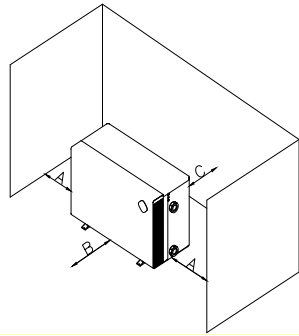
Single unit - 3 Obstacles

ECO



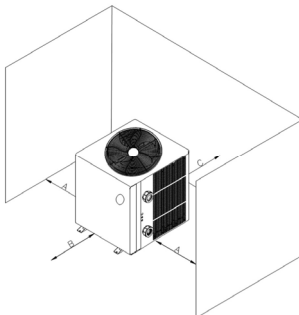
MODEL NUMBER	ECO90	ECO130	ECO160	ECO200	ECO240
Option A					
Distance A (mm)	300	300	300	300	300
Distance B (mm)	500	500	500	500	500
Distance C (mm)	300	300	300	300	300
Option B					
Distance A (mm)	450	450	450	450	450
Distance B (mm)	700	700	700	700	700
Distance C (mm)	150	150	150	150	150

ELITE V3



MODEL NUMBER	ESV3- 110	140	170	220	270	320	400
Option A							
Distance A (mm)	300	300	300	300	300	400	400
Distance B (mm)	300	300	300	300	300	400	400
Distance C (mm)	100	100	100	100	100	100	100
Option B							
Distance A (mm)	250	250	250	250	250	300	300
Distance B (mm)	450	450	450	450	450	500	500
Distance C (mm)	100	100	100	100	100	100	100

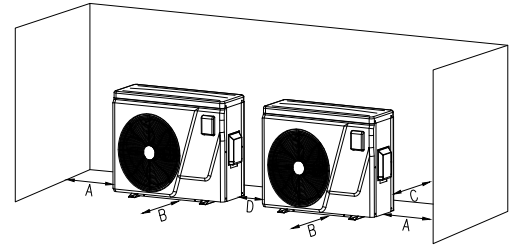
ECLIPSE



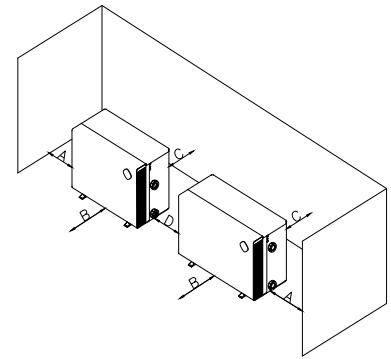
MODEL NUMBER	ETD160	ETD210	ETD260
Distance A (mm)	250	250	300
Distance B (mm)	250	250	300
Distance C (mm)	250	250	300

Ventilation requirements

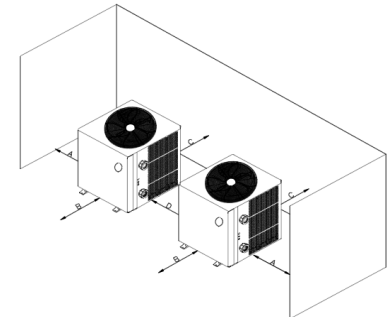
Multiple units - 3 Obstacles



MODEL NUMBER	ECO90	ECO130	ECO160	ECO200	ECO240
Option A					
Distance A (mm)	300	300	300	300	300
Distance B (mm)	500	500	500	500	500
Distance C (mm)	300	300	300	300	300
Distance D (mm)	600	600	600	600	600
Option B					
Distance A (mm)	450	450	450	450	450
Distance B (mm)	700	700	700	700	700
Distance C (mm)	150	150	150	150	150
Distance D (mm)	700	700	700	700	700



MODEL NUMBER	ESV3- 110	140	170	220	270	320	400
Option A							
Distance A (mm)	300	300	300	300	300	400	400
Distance B (mm)	300	300	300	300	300	400	400
Distance C (mm)	100	100	100	100	100	100	100
Distance D (mm)	600	600	600	600	600	600	600
Option B							
Distance A (mm)	250	250	250	250	250	300	300
Distance B (mm)	450	450	450	450	450	500	500
Distance C (mm)	100	100	100	100	100	100	100
Distance D (mm)	500	500	500	500	600	600	600



MODEL NUMBER	ETD160	ETD210	ETD260
Distance A (mm)	250	250	300
Distance B (mm)	250	250	300
Distance C (mm)	250	250	300
Distance D (mm)	500	500	600