

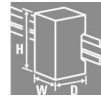
TGD ELM-6**Weidmüller Interface GmbH & Co. KG**

Klingenbergstraße 26

D-32758 Detmold

Germany

www.weidmueller.com



Modern machines and plants require load monitoring systems capable of communication. topGUARD - the IO-Link-capable load monitoring system - offers remote control options, full data transparency and reliable protection of the 24-volt system voltage. topGUARD is the ideal complement to IO-Link capable PROtop power supplies from innovative power management systems. It follows the innovative approach to integrated potential distribution, which saves space and time in device installation. A communication module simply needs to be connected and an IODD file integrated in order to carry out parameterisation and control, and to provide all operating data.

General ordering data

Version	Electronic load monitoring
Order No.	2624980000
Type	TGD ELM-6
GTIN (EAN)	4050118689426
Qty.	1 pc(s).

TGD ELM-6

Weidmüller Interface GmbH & Co. KG

Klingenbergstraße 26

D-32758 Detmold

Germany

www.weidmueller.com

Technical data

Dimensions and weights

Depth	96.5 mm	Depth (inches)	3.799 inch
Height	125 mm	Height (inches)	4.921 inch
Net weight	44 g	Width	6.1 mm
Width (inches)	0.24 inch		

Temperatures

Storage temperature	-40 °C...85 °C	Operating temperature	-25 °C...70 °C
---------------------	----------------	-----------------------	----------------

Input

DC input voltage range	18...30 V DC	Input fuse (internal)	Yes
Rated input voltage	24 V DC	max. admissible residual ripple at the input	100 mVpp

Output

Capacitive load	15,000 µF	Connection system	PUSH IN
Rated current	6 A	Rated current (per channel)	6 A
Triggering characteristic	see characteristic curve	adjustable rated current	Yes

General data

Function key	Activation time < 3s, Reset, ON	Operating temperature	-25 °C...70 °C
Relay to activate the output	No	Surge voltage category	III

Insulation coordination

Surge voltage category	III
------------------------	-----

Connection data (output)

Conductor cross-section, AWG/kcmil , max.	12	Conductor cross-section, AWG/kcmil , min.	26
Conductor cross-section, flexible , max.	2.5 mm ²	Conductor cross-section, flexible , min.	0.14 mm ²
Conductor cross-section, rigid , max.	2.5 mm ²	Conductor cross-section, rigid , min.	0.14 mm ²
Connection system	PUSH IN	Number of terminals	2 (+ / -)

Signalling

LED green	Operation (failure-free), Early warning: I Out > 90% I Rated (flashing)	Red LED	Load monitoring has disconnected, Load monitoring has triggered (flashing), Internal error (rapid flashing)
Yellow LED	Address is assigned, Address is being assigned (flashing)		

Approvals

Certificate no. (cULus)	E258476	Institute (cULus)	CULUS
-------------------------	---------	-------------------	-------

TGD ELM-6

Weidmüller Interface GmbH & Co. KG
Klingenbergstraße 26
D-32758 Detmold
Germany

www.weidmueller.com

Technical data

Classifications

ETIM 6.0	EC002057	ETIM 7.0	EC002057
ECLASS 9.0	27-37-10-16	ECLASS 9.1	27-37-10-16
ECLASS 10.0	27-37-10-16	ECLASS 11.0	27-37-10-16

Approvals

Approvals



UL File Number Search [E258476](#)

Downloads

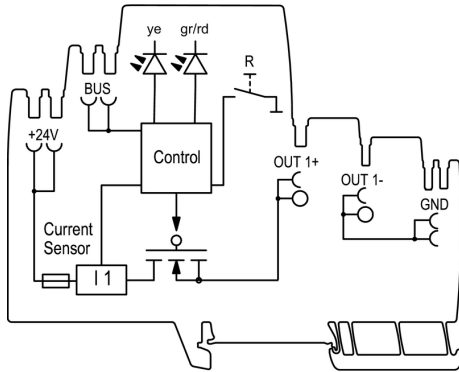
Approval/Certificate/Document of Conformity	DE_PA5200_200203_001.pdf
Engineering Data	STEP
User Documentation	Operating instructions / leaflet

TGD ELM-6

Weidmüller Interface GmbH & Co. KG
 Klingenbergstraße 26
 D-32758 Detmold
 Germany

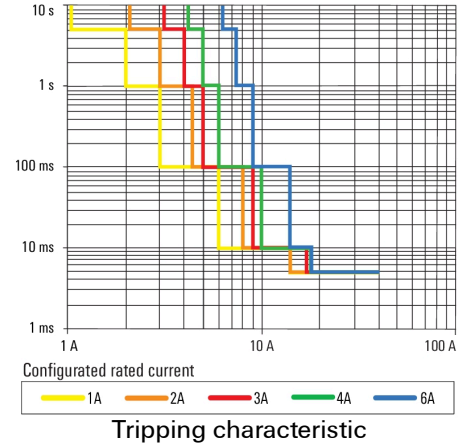
www.weidmueller.com

Drawings



Schematic circuit diagram

Tripping characteristic normal



Tripping characteristic lag

