

6

5

4

3

2

1

D

D

C

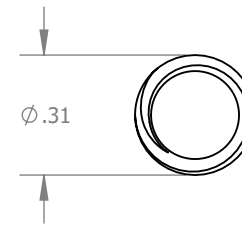
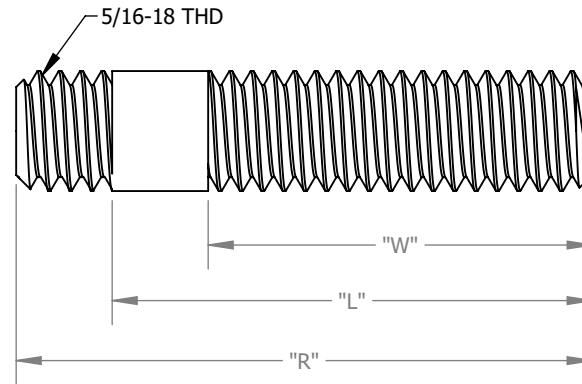
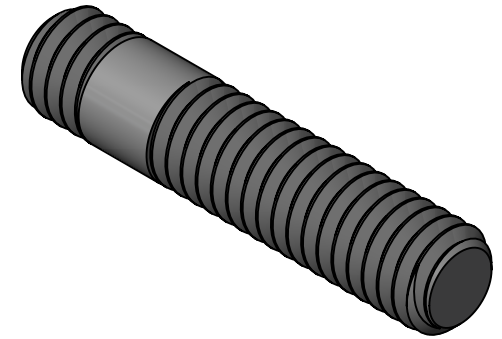
C



B

B

A

A



PART NUMBER	"L"	"W"="L"-.25	"R"="L"+.25	<b>PROPRIETARY AND CONFIDENTIAL</b> THE INFORMATION CONTAINED IN THIS DRAWING IS THE SOLE PROPERTY OF GG SCHMITT & SONS. ANY REPRODUCTION IN PART OR AS A WHOLE WITHOUT THE WRITTEN PERMISSION OF GG SCHMITT & SONS IS PROHIBITED.	<b>THIRD ANGLE PROJECTION</b>  UNLESS OTHERWISE SPECIFIED: DIMENSIONS ARE IN INCHES [SECONDARY IS IN MILLIMETERS] TOLERANCES: FRACTIONAL ± 1/16" ANGLE: ± 5° .XX ± .05", XXX ± .010 INTERPRET DIM AND TOL PER ASME 14.5M-1994	<b>DESCRIPTION</b> <b>STUD, D.E. CHROME W/PROTECT</b>					<small>2021 01/19/21          10/01/21/01/21          P200 10/01/21          10/01/21/01/21</small>
	4-22205	1.25"	1"						1.50"	PART NO. <b>SEE TABLE</b>	REV
	4-22305	1.75"	1.5"						2.00"	DRAWN CONOR W 8/12/2021	SCALE <b>2:1</b>
4-22405	2.25"	2.00"	2.50"								

6

5

4

3

2

1