

6

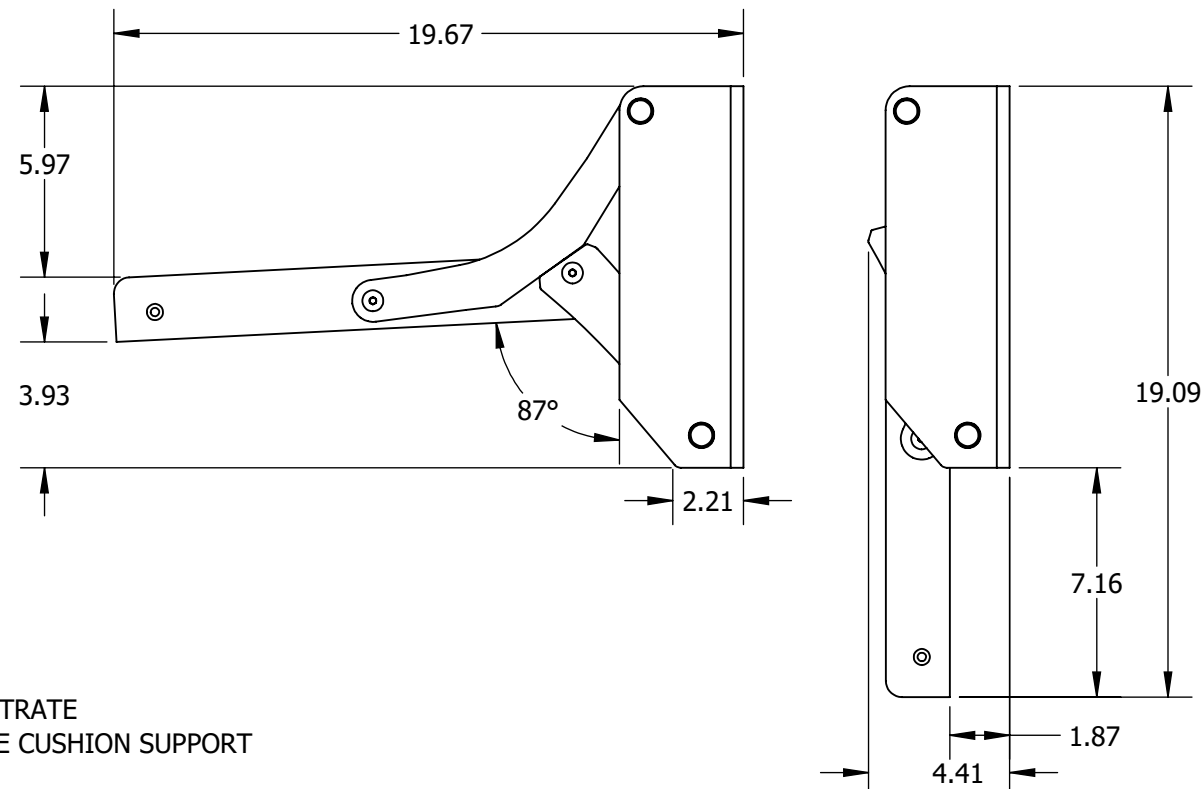
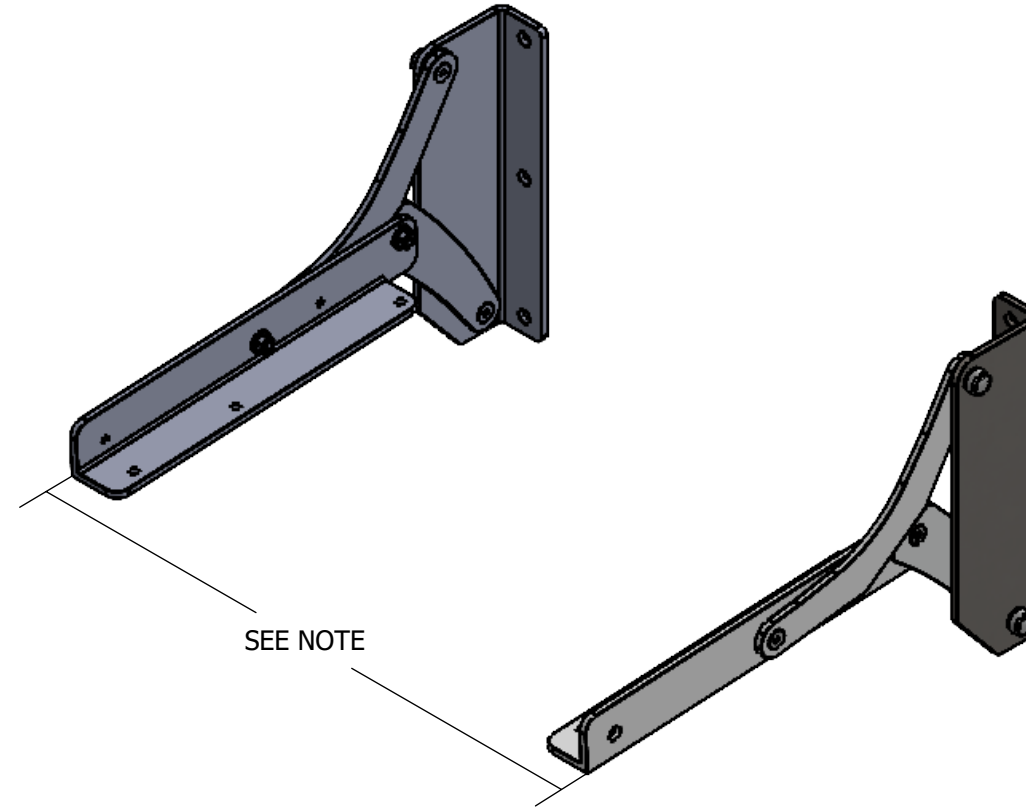
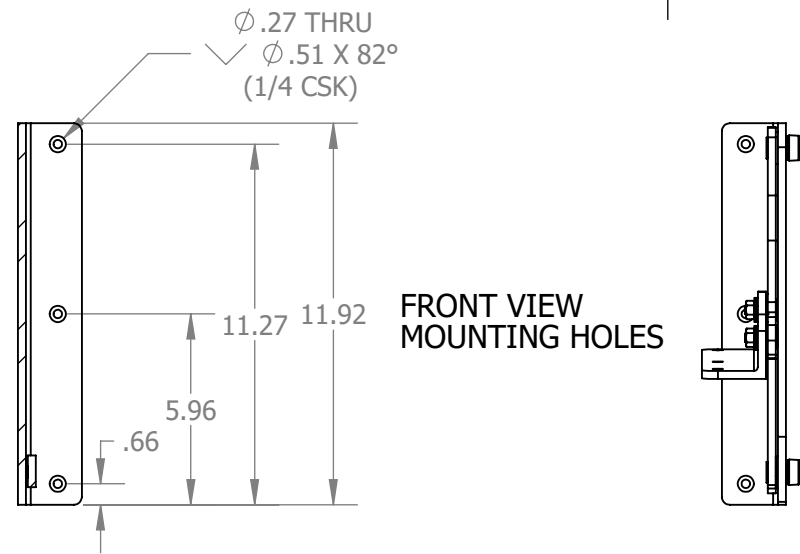
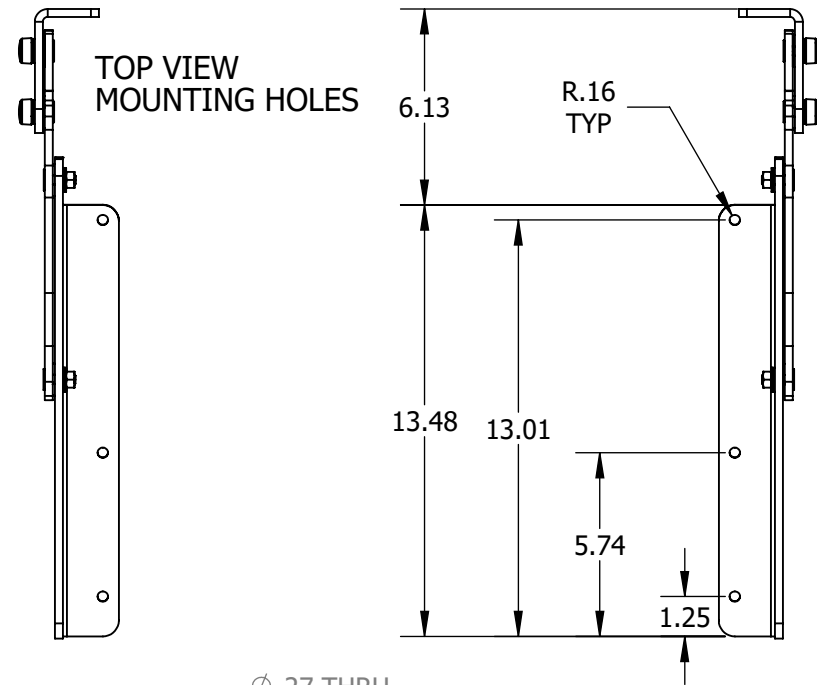
5

4



3

2

1



NOTE: MAXIMUM WIDTH IS DEPENDANT ON RIGIDITY OF CUSHION SUBSTRATE
GG SCHMITT IS NOT LIABLE FOR FAILURE RESULTING FROM INADEQUATE CUSHION SUPPORT

PROPRIETARY AND CONFIDENTIAL THE INFORMATION CONTAINED IN THIS DRAWING IS THE SOLE PROPERTY OF GG SCHMITT & SONS. ANY REPRODUCTION IN PART OR AS A WHOLE WITHOUT THE WRITTEN PERMISSION OF GG SCHMITT & SONS IS PROHIBITED.	THIRD ANGLE PROJECTION  UNLESS OTHERWISE SPECIFIED: DIMENSIONS ARE IN INCHES [SECONDARY IS IN MILLIMETERS] TOLERANCES: FRACTIONAL: ± 1/16" ANGLE: ± 5° .XX ± .03", .XXX ± .010 INTERPRET DIM AND TOL PER ASME 14.5M-1994	DESCRIPTION SEAT, SS UNDER GUNWALE SIDE 2PC						
		DRAWN CONOR W 1/6/2022	CHECKED	SCALE 1:6	DO NOT SCALE DRAWING	SIZE B	SHEET 1 OF 1	PART NO. GG00330

6

5

4

3

2

1

D

C

B

A

D

C

B

A