

6

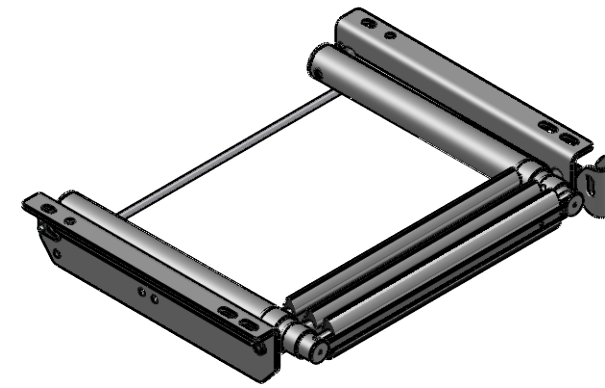
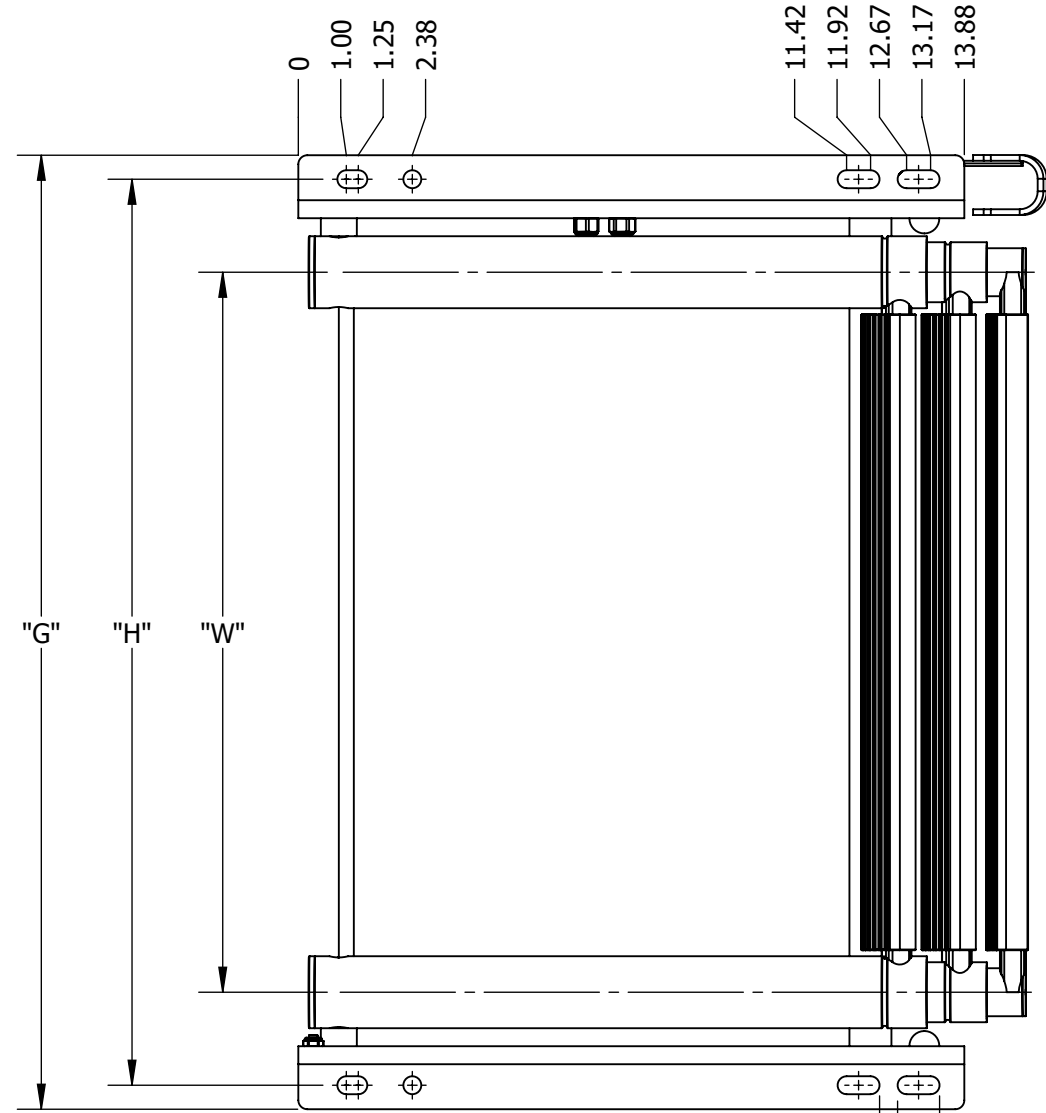
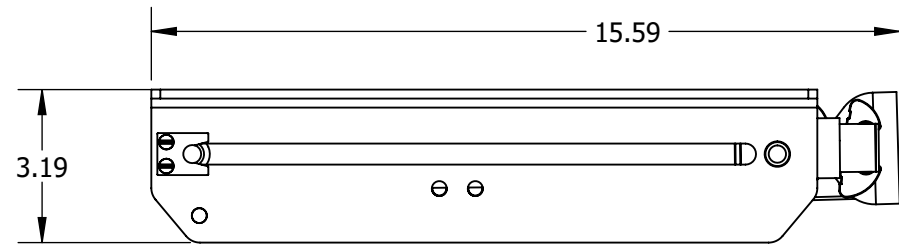
5

4

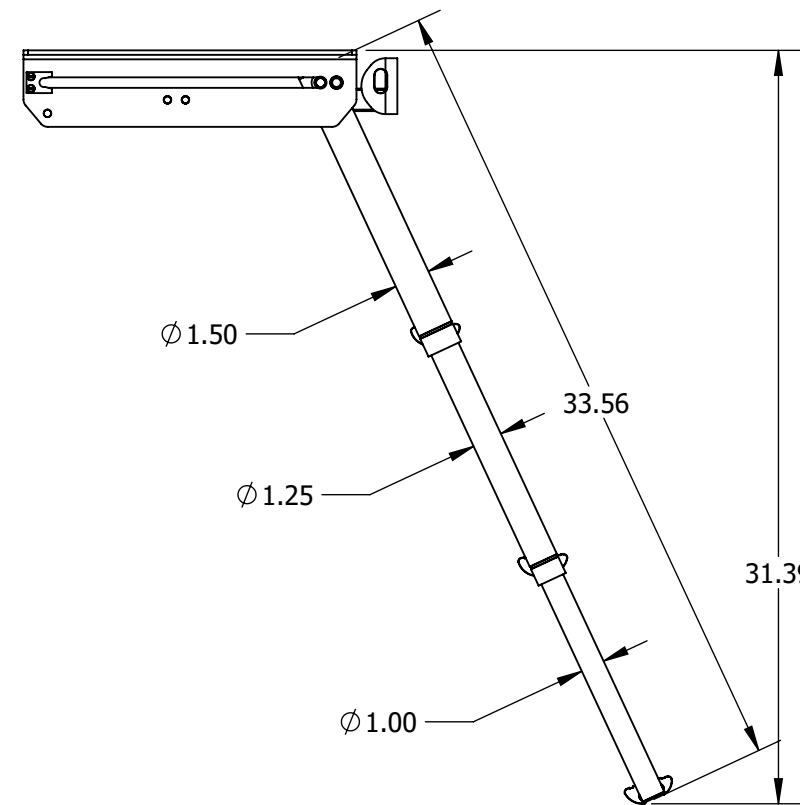
3

2



1



STOWED VIEW



DEPLOYED VIEW

A	PART NUMBER	"W"	"G"	"H"	PROPRIETARY AND CONFIDENTIAL THE INFORMATION CONTAINED IN THIS DRAWING IS THE SOLE PROPERTY OF GG SCHMITT & SONS. ANY REPRODUCTION IN PART OR AS A WHOLE WITHOUT THE WRITTEN PERMISSION OF GG SCHMITT & SONS IS PROHIBITED.	THIRD ANGLE PROJECTION  UNLESS OTHERWISE SPECIFIED: DIMENSIONS ARE IN INCHES [SECONDARY IS IN MILLIMETERS] TOLERANCES: FRACTIONAL: ± 1/16" ANGLE: ± 5° .XX ± .03", .XXX ± .010 INTERPRET DIM AND TOL PER ASME 14.5M-1994	DESCRIPTION LADDER,SS TELES RND 3 STP UNDER MNT			 <small>2821 Old Tree Dr Lancaster, PA 17603 (717)394-4301 7220 15th St E Sarasota, FL 34243 (941)360-1947</small>			
	L6T53200C	15.00	19.875	18.875						PART NO. SEE TABLE		REV	
	L6T43200C	10.75	15.625	14.625			DRAWN	CONOR W	8/10/2021	SCALE	DO NOT SCALE DRAWING	SIZE B	SHEET 1 OF 1
	L6T23200	6.75	11.625	10.625			CHECKED						

6

5

4

3

2

1