

6

5

4

3

2

1

D

D

C

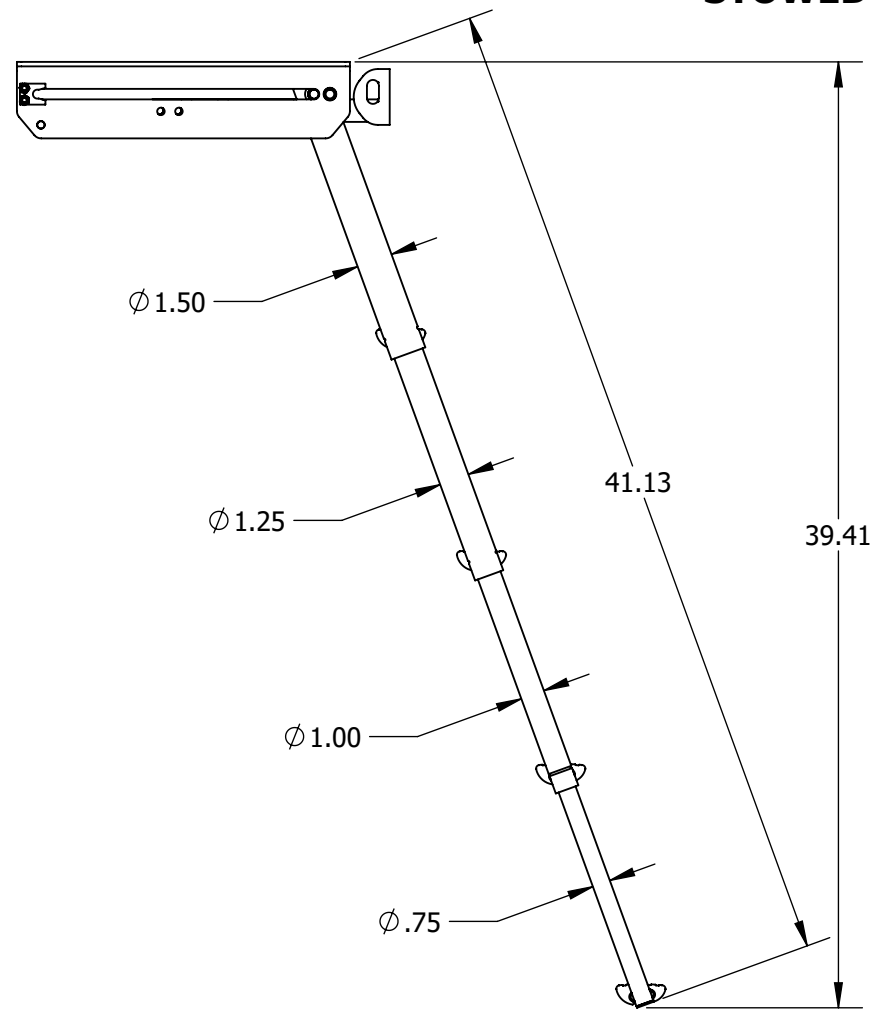
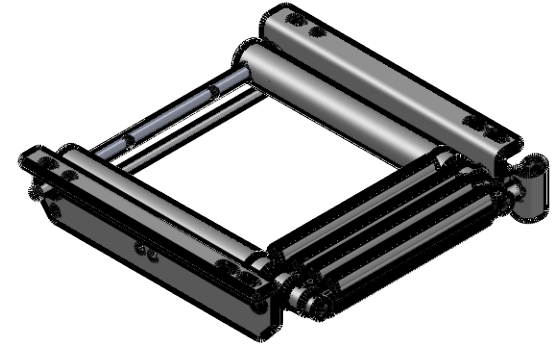
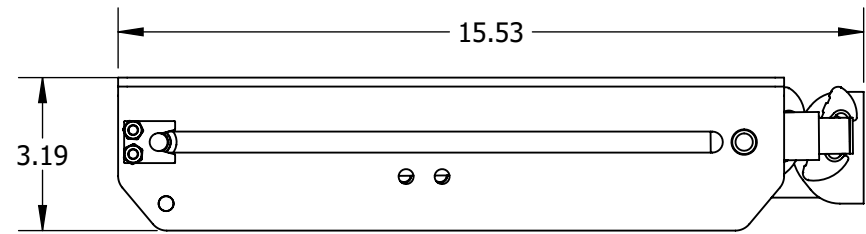
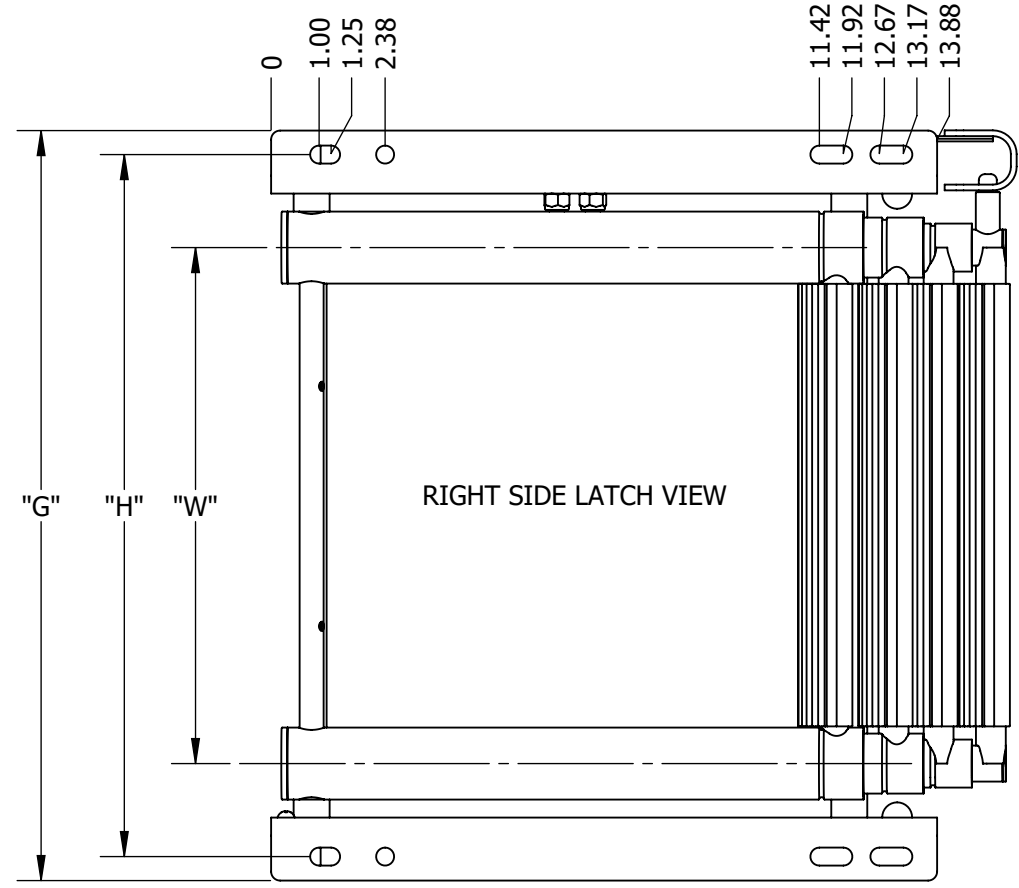
C

B

B

A

A



PART NUMBER	"W"	"G"	"H"	LATCH
L6T44200C	10.75	15.62	14.62	RIGHT SIDE LATCH
L6T44210C	10.75	15.62	14.62	LEFT SIDE LATCH

PROPRIETARY AND CONFIDENTIAL

THE INFORMATION CONTAINED IN THIS DRAWING IS THE SOLE PROPERTY OF GG SCHMITT & SONS. ANY REPRODUCTION IN PART OR AS A WHOLE WITHOUT THE WRITTEN PERMISSION OF GG SCHMITT & SONS IS PROHIBITED.

THIRD ANGLE PROJECTION

UNLESS OTHERWISE SPECIFIED:
DIMENSIONS ARE IN INCHES
 [SECONDARY IS IN MILLIMETERS]
TOLERANCES:
 FRACTIONAL $\pm 1/16"$
 ANGLE: $\pm .5^\circ$
 .XX $\pm .03"$, XXX $\pm .010$
 INTERPRET DIM AND TOL PER ASME 14.5M-1994

DESCRIPTION
LADR, TELES RND 4-STP
10.75" CTR UND MNT T-304

DRAWN CONOR W 8/11/2021
 CHECKED

GG Schmitt & Sons

2821 Old Tree Dr
 Lancaster, PA 17603
 (717)394-5201

7220 15th St. E
 Sarasota, FL 34243
 (941)562-1927

PART NO. **SEE TABLE** REV

SCALE DO NOT SCALE DRAWING SIZE **B** SHEET **1 OF 1**

6

5

4

3

2

1