

6

5

4

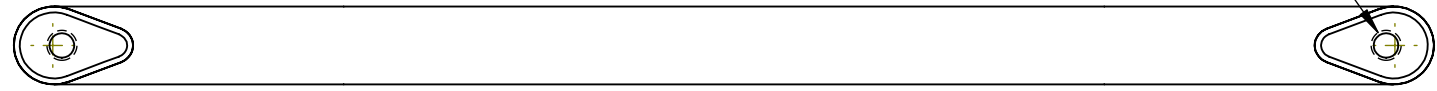
3

2

1

D

D

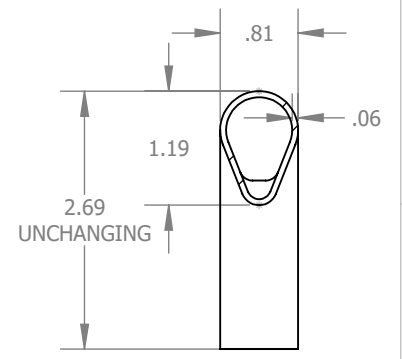
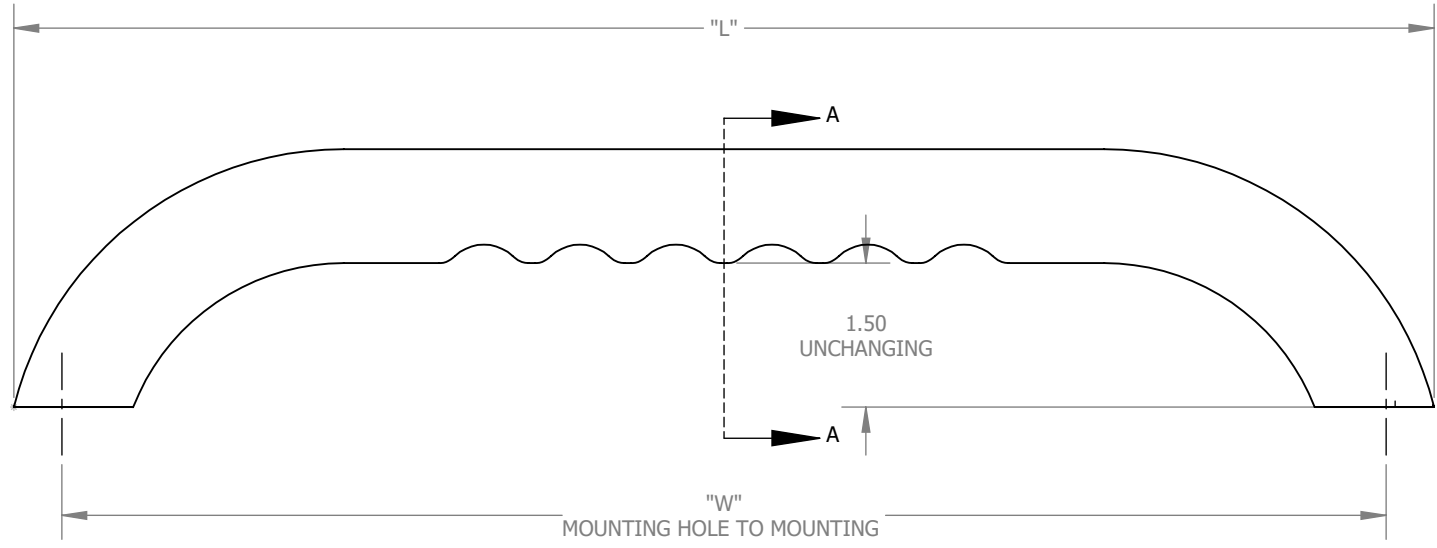


5/16-18 TAPPED HOLE



C

C





SECTION A-A
SCALE 1 : 2

B

B

A

A

PART NUMBER	"L"	"W"="L"-.5	PROPRIETARY AND CONFIDENTIAL THE INFORMATION CONTAINED IN THIS DRAWING IS THE SOLE PROPERTY OF GG SCHMITT & SONS. ANY REPRODUCTION IN PART OR AS A WHOLE WITHOUT THE WRITTEN PERMISSION OF GG SCHMITT & SONS IS PROHIBITED.	THIRD ANGLE PROJECTION  UNLESS OTHERWISE SPECIFIED: DIMENSIONS ARE IN INCHES [SECONDARY IS IN MILLIMETERS] TOLERANCES: FRACTIONAL: 1/16" ANGLE: ± 5° .XX ± .03", XXX ± .010 INTERPRET DIM AND TOL PER ASME 14.5M-1994	DESCRIPTION GRAB GRIP SMALL BLIND MNT					REV
58112	12"	11"			PART NO. SEE TABLE					
58124	24"	23"			DRAWN	CONOR W	8/12/2021	SCALE 1:2	DO NOT SCALE DRAWING	SIZE A

6

5

4

3

2

1