

6

5

4

3

2

1

D

D

C

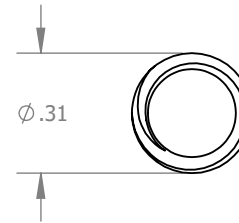
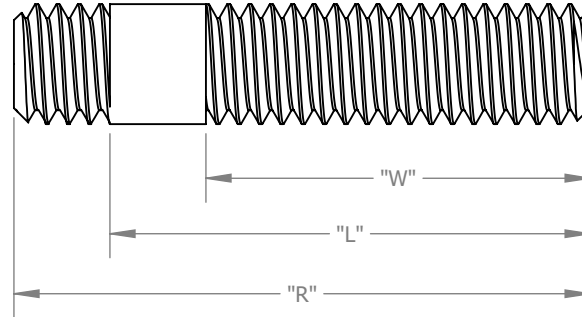
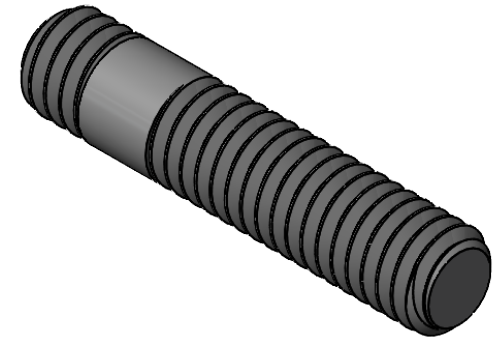
C



B

B

A

A



PART NUMBER	"L"	"W"="L"-.25	"R"="L"+.25	PROPRIETARY AND CONFIDENTIAL THE INFORMATION CONTAINED IN THIS DRAWING IS THE SOLE PROPERTY OF GG SCHMITT & SONS. ANY REPRODUCTION IN PART OR AS A WHOLE WITHOUT THE WRITTEN PERMISSION OF GG SCHMITT & SONS IS PROHIBITED.	THIRD ANGLE PROJECTION  UNLESS OTHERWISE SPECIFIED: DIMENSIONS ARE IN INCHES [SECONDARY IS IN MILLIMETERS] TOLERANCES: FRACTIONAL: ± 1/16" ANGLE: ± 5° .XX ± .03", .XXX ± .010 INTERPRET DIM AND TOL PER ASME 14.5M-1994	DESCRIPTION STUD, D.E. CHROME W/PROTECT			 PART NO. SEE TABLE		REV							
	4-22205	1.25"	.75"								1.50"	DRAWN	CONOR W	8/12/2021	SCALE	DO NOT SCALE DRAWING	SIZE	SHEET
	4-22305	1.75"	1.25"								2.00"	2:1	A	1 OF 1				
4-22405	2.25"	1.75"	2.50"															

6

5

4

3

2

1