

6

5

4

3

2

1

D

D

C

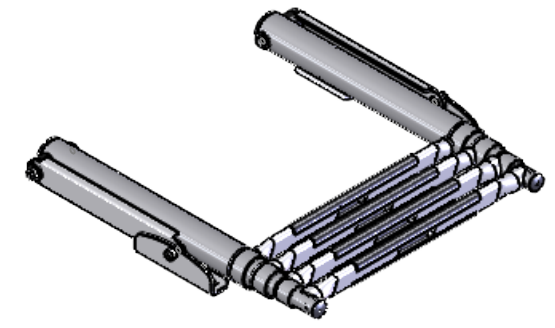
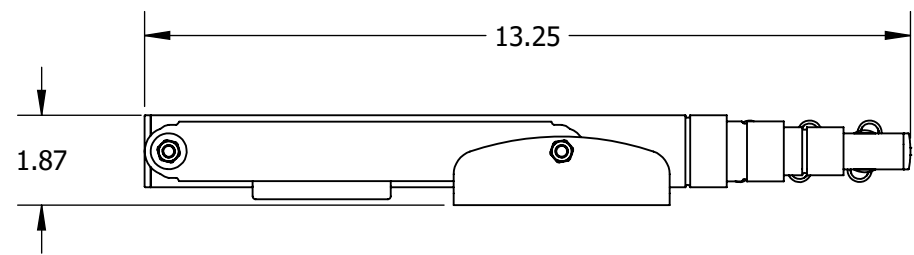
C

B

B

A

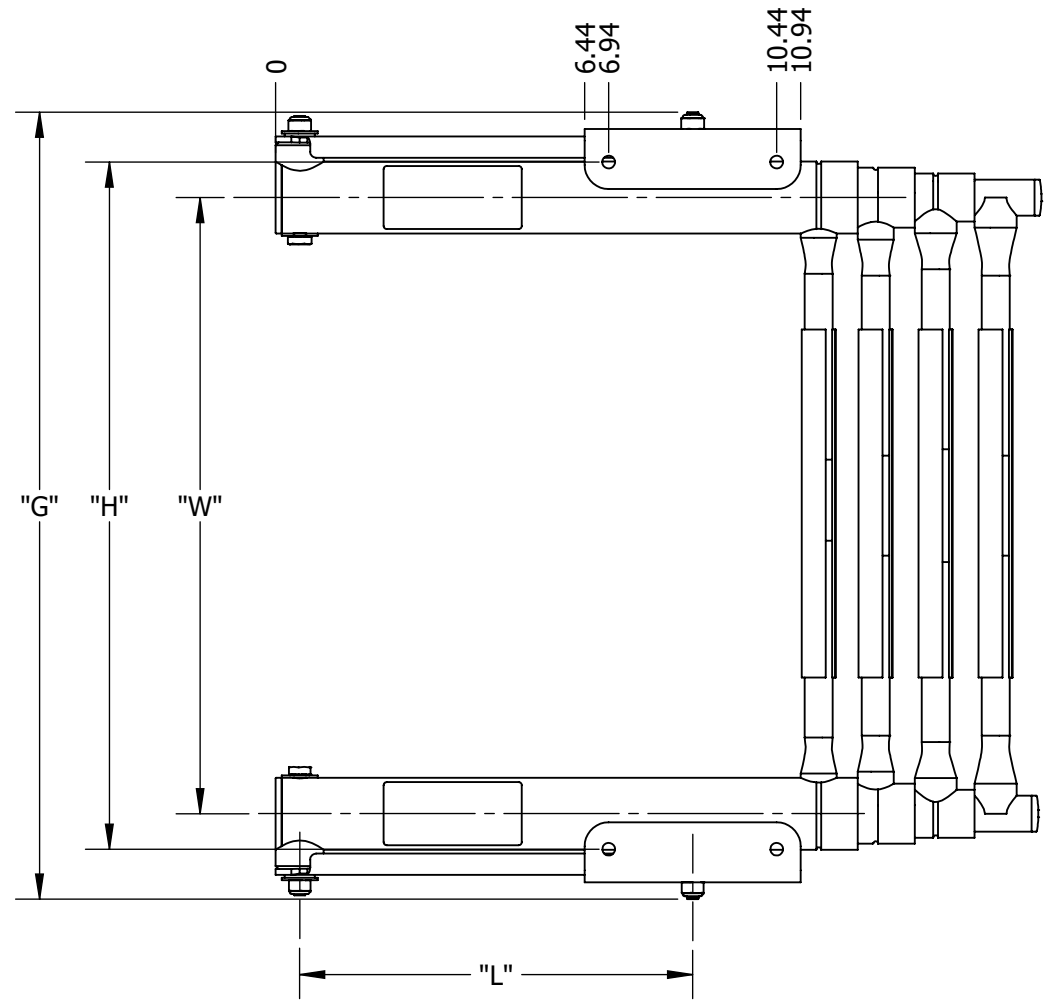
A



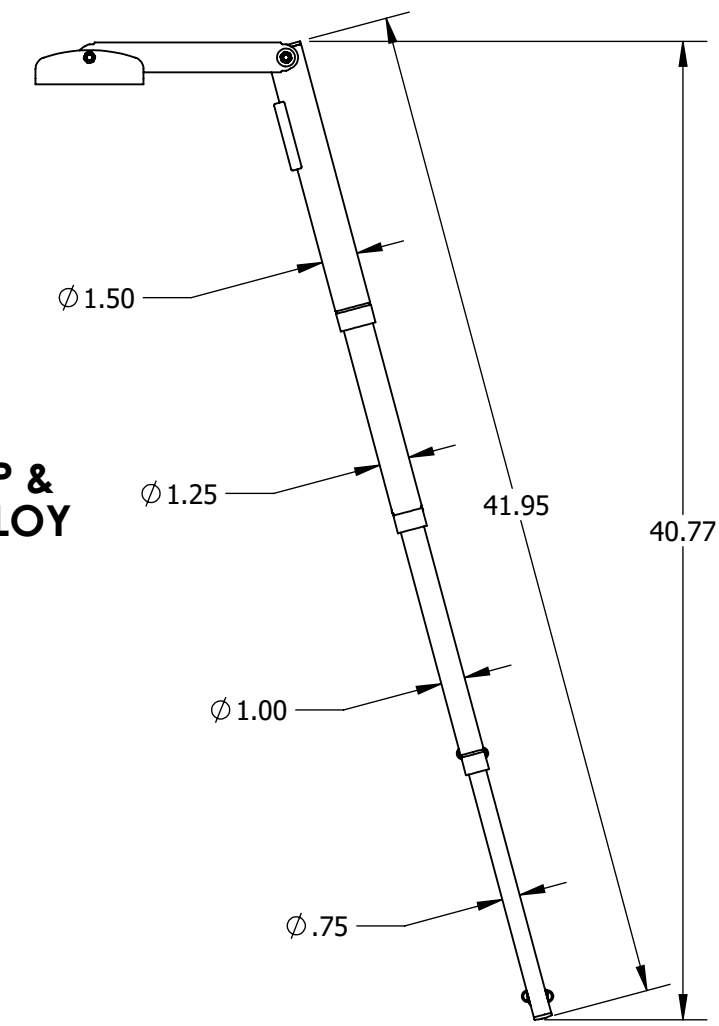
**STOWED VIEW**



**DEPLOYED VIEW**



**LADDER SWINGS UP & FORWARD TO DEPLOY**



PART NUMBER	"W"	"G"	"H"	"L"
L5T44500C-1	12.835	16.00	14.00	8.187
L5T44501C-1	12.835	16.25	14.25	9
L5T84500C	14.00	17.375	15.375	8.187

**PROPRIETARY AND CONFIDENTIAL**

THE INFORMATION CONTAINED IN THIS DRAWING IS THE SOLE PROPERTY OF GG SCHMITT & SONS.

ANY REPRODUCTION IN PART OR AS A WHOLE WITHOUT THE WRITTEN PERMISSION OF GG SCHMITT & SONS IS PROHIBITED.

**THIRD ANGLE PROJECTION**

UNLESS OTHERWISE SPECIFIED: DIMENSIONS ARE IN INCHES [SECONDARY IS IN MILLIMETERS]

TOLERANCES:  
 FRACTIONAL: 1/16"  
 ANGLE: ±.5°  
 .XX ±.03", .XXX ±.010  
 INTERPRET DIM AND TOL PER ASME 14.5M-1994

**DESCRIPTION**  
**LDR 4-STP RND TELE W/LINK ARM W/PAD**

DRAWN CONOR W 8/11/2021  
 CHECKED

**GG Schmitt & Sons**

2821 Old Tree Dr  
 Lancaster, PA 17603  
 (717)394-4301

7220 15th St. E  
 Sarasota, FL 34243  
 (941)360-1627

**PART NO. SEE TABLE**

**REV A**

SCALE DO NOT SCALE DRAWING SIZE B SHEET 1 OF 1

6

5

4

3

2

1