

6

5

4

3

2

1

D

D

C

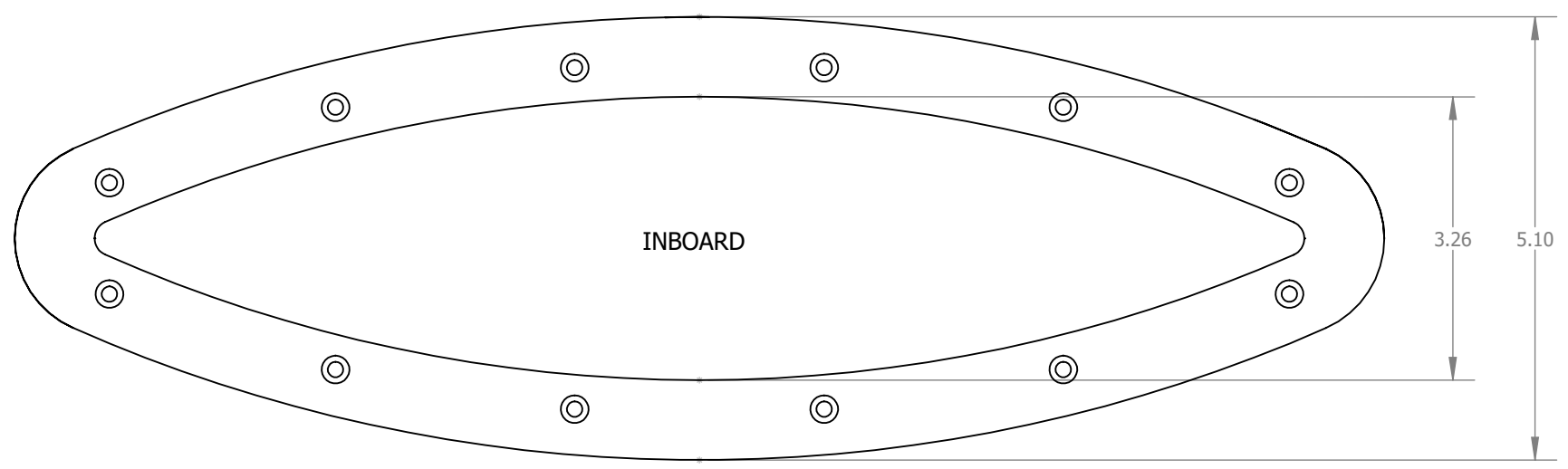
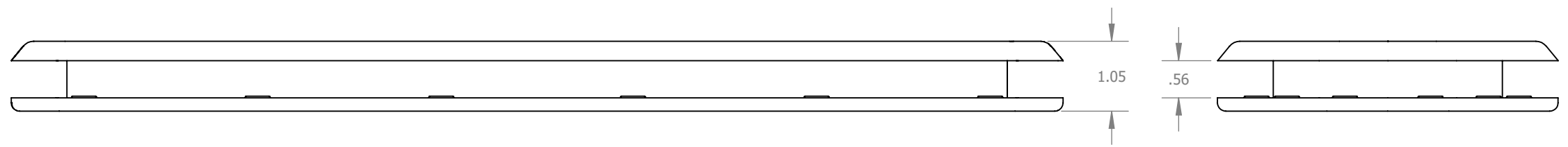
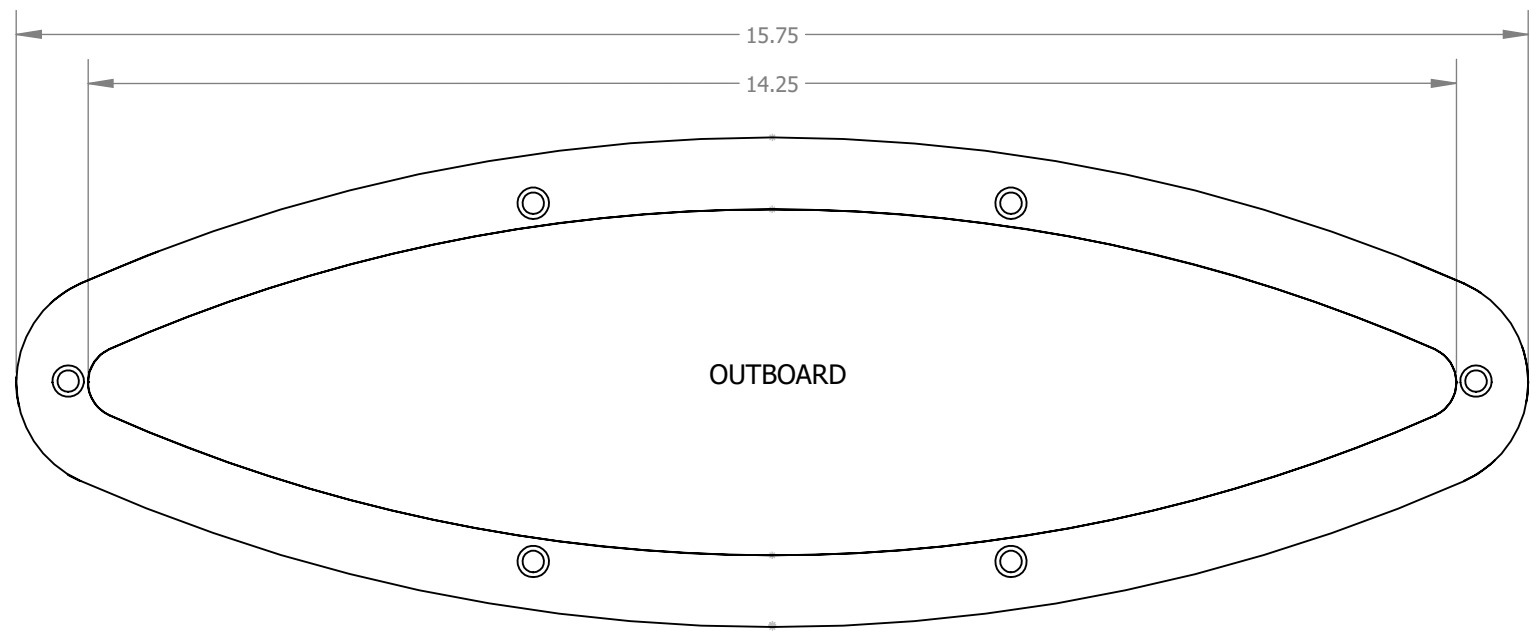
C

B

B

A

A



<p><b>PROPRIETARY AND CONFIDENTIAL</b></p> <p>THE INFORMATION CONTAINED IN THIS DRAWING IS THE SOLE PROPERTY OF GG SCHMITT &amp; SONS.</p> <p>ANY REPRODUCTION IN PART OR AS A WHOLE WITHOUT THE WRITTEN PERMISSION OF GG SCHMITT &amp; SONS IS PROHIBITED.</p>	<p><b>THIRD ANGLE PROJECTION</b></p> <p>UNLESS OTHERWISE SPECIFIED: DIMENSIONS ARE IN INCHES [SECONDARY IS IN MILLIMETERS]</p> <p>TOLERANCES:</p> <p>FRACTIONAL: ± 1/16"</p> <p>ANGLE: ± 5°</p> <p>.XX ± .03", .XXX ± .010</p> <p>INTERPRET DIM AND TOL PER ASME 14.5M-1994</p>	<p>DESCRIPTION</p> <p><b>PORTLIGHT 05 FIXED SS</b></p> <p><b>5"X 15-3/4"</b></p>			<p><b>GG Schmitt &amp; Sons</b></p> <p>2821 Old Tree Dr Lancaster, PA 17603 (717)394-4301</p> <p>7220 15th St E Sarasota, FL 34243 (941)552-1927</p>			
		<p>DRAWN</p> <p>CHECKED</p>	<p>CONOR .W</p>	<p>9/1/2021</p>	<p>SCALE</p> <p><b>1:2</b></p>	<p>DO NOT SCALE DRAWING</p>	<p>SIZE</p> <p><b>B</b></p>	<p>SHEET</p> <p><b>1 OF 1</b></p>

6

5

4

3

2

1