

6

5

4

3

2

1

D

D

C

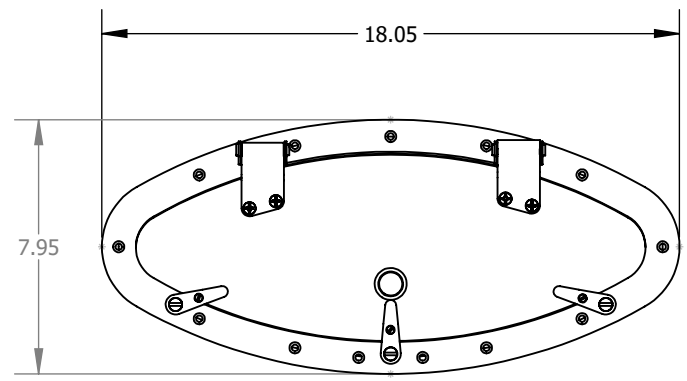
C

B

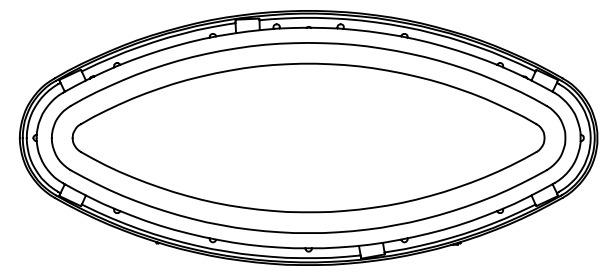
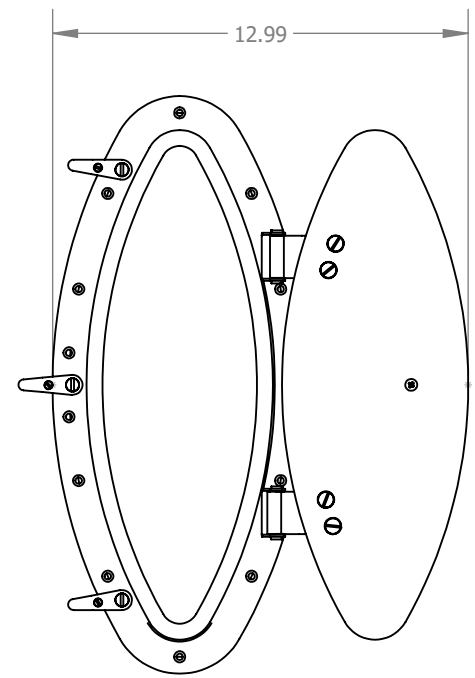
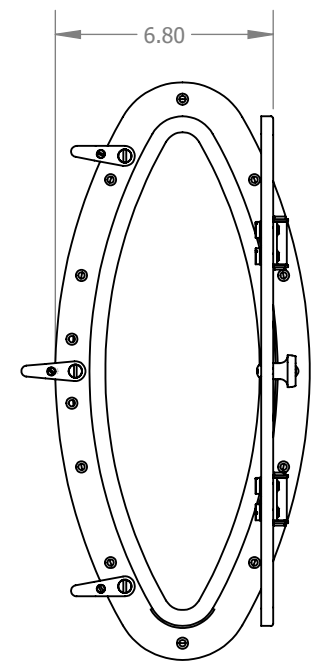
B

A

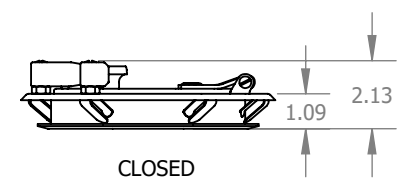
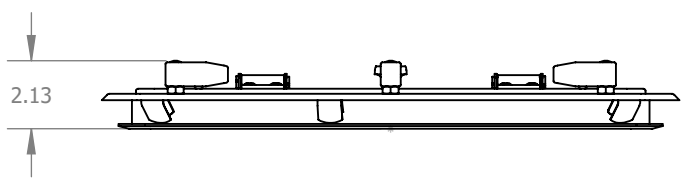
A



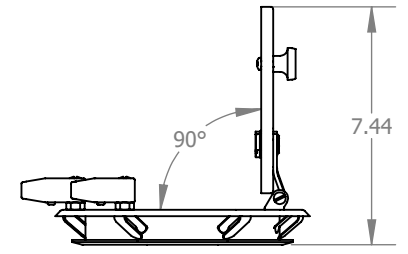
INBOARD



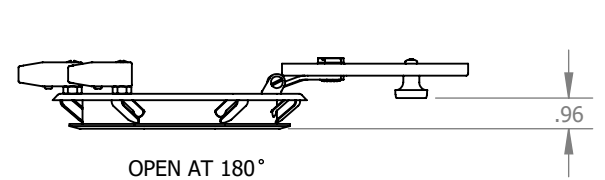
OUTBOARD



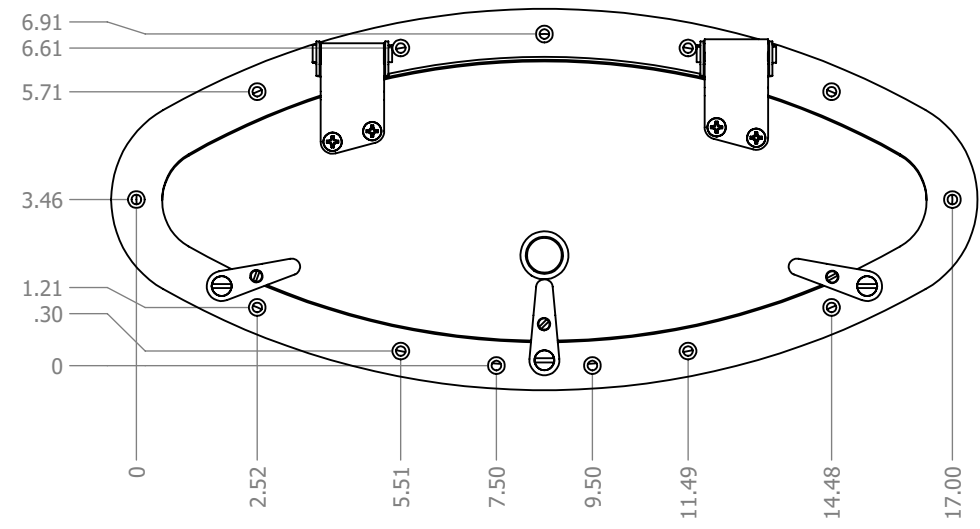
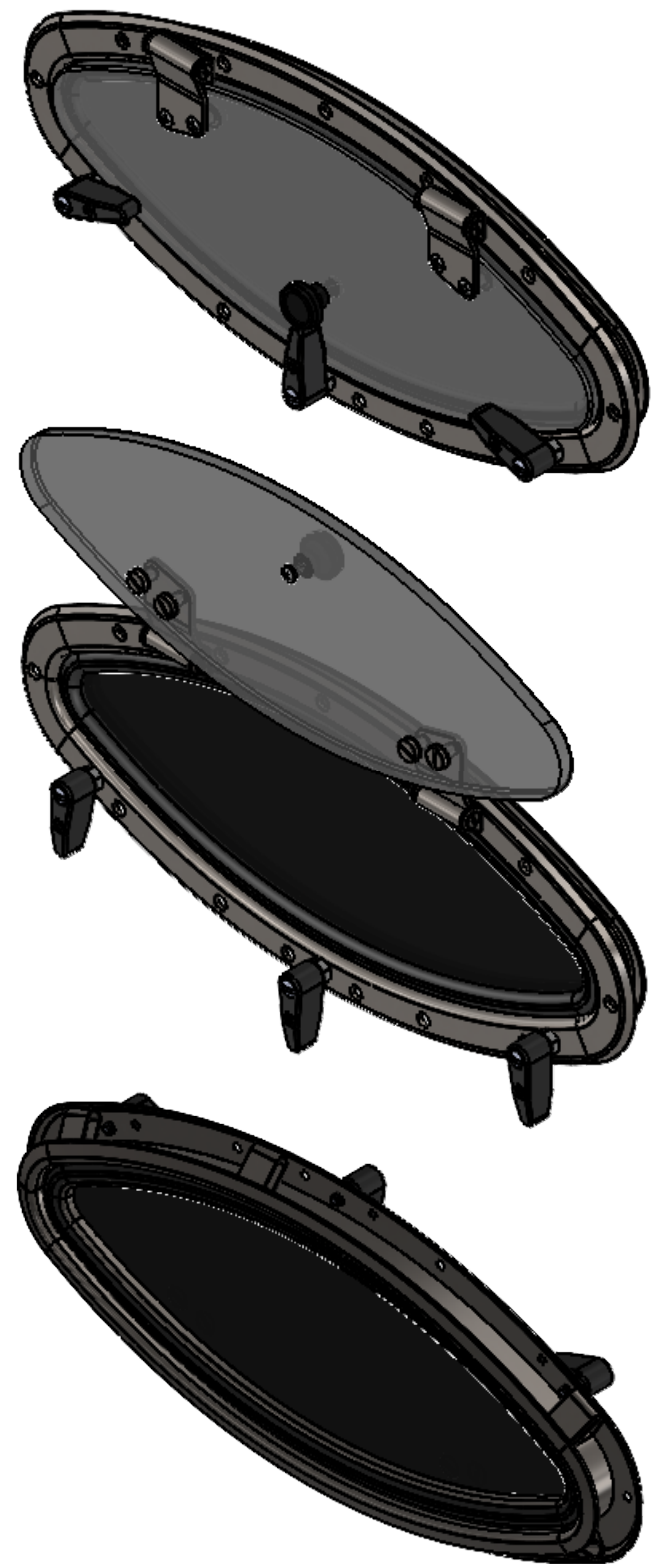
CLOSED



OPEN AT 90°



OPEN AT 180°



MOUNTING HOLES

<p><b>PROPRIETARY AND CONFIDENTIAL</b></p> <p>THE INFORMATION CONTAINED IN THIS DRAWING IS THE SOLE PROPERTY OF GG SCHMITT &amp; SONS.</p> <p>ANY REPRODUCTION IN PART OR AS A WHOLE WITHOUT THE WRITTEN PERMISSION OF GG SCHMITT &amp; SONS IS PROHIBITED.</p>	<p><b>THIRD ANGLE PROJECTION</b></p> <p>UNLESS OTHERWISE SPECIFIED: DIMENSIONS ARE IN INCHES [SECONDARY IS IN MILLIMETERS]</p> <p>TOLERANCES:</p> <p>FRACTIONAL: 1/16"</p> <p>ANGLE: ±.5°</p> <p>.XX ±.03", .XXX ±.010</p> <p>INTERPRET DIM AND TOL PER ASME 14.5M-1994</p>	<p>DESCRIPTION</p> <p><b>PORTLIGHT ASSY 01</b></p> <p><b>7/8" SPIGOT</b></p>		<p><b>GG Schmitt &amp; Sons</b></p> <p>2821 Old Tree Dr Lancaster, PA 17603 (717)394-2301</p> <p>7220 15th St. E Sarasota, FL 34243 (941)562-1827</p>	
		<p>DRAWN</p> <p>CHECKED</p>	<p>CONOR .W</p>	<p>8/27/2021</p>	<p>PART NO.</p> <p><b>97001C</b></p>
			<p>SCALE</p>	<p>DO NOT SCALE DRAWING</p>	<p>SIZE</p> <p><b>B</b></p>
					<p>SHEET</p> <p><b>1 OF 1</b></p>

6

5

4

3

2

1