

6

5

4

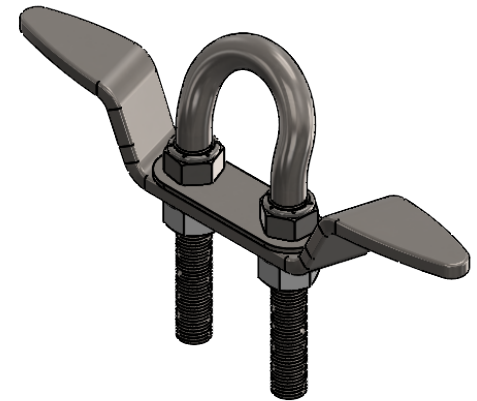
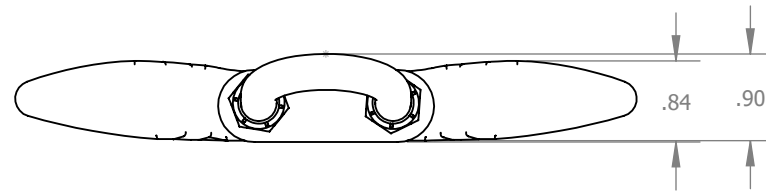
3

2

1

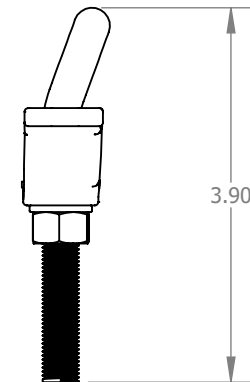
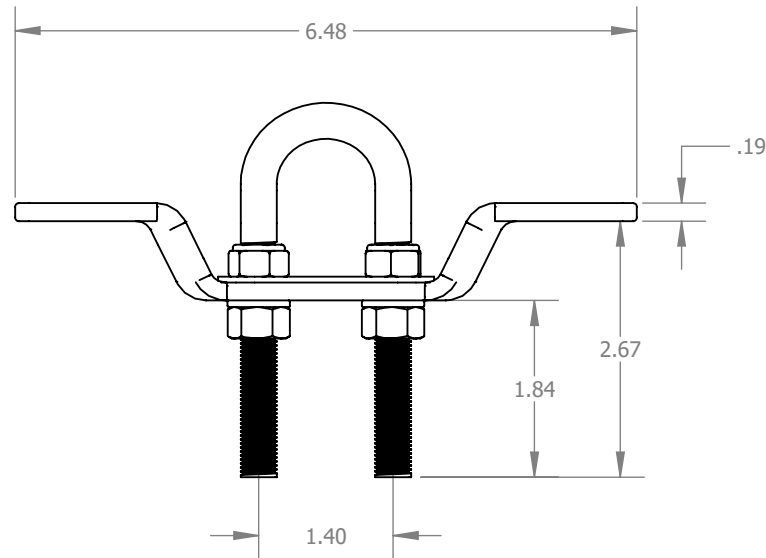
D

D



C

C



B

B

A

A

<p>PROPRIETARY AND CONFIDENTIAL</p> <p>THE INFORMATION CONTAINED IN THIS DRAWING IS THE SOLE PROPERTY OF GG SCHMITT & SONS.</p> <p>ANY REPRODUCTION IN PART OR AS A WHOLE WITHOUT THE WRITTEN PERMISSION OF GG SCHMITT & SONS IS PROHIBITED.</p>	<p>THIRD ANGLE PROJECTION</p> <p>UNLESS OTHERWISE SPECIFIED: DIMENSIONS ARE IN INCHES [SECONDARY IS IN MILLIMETERS]</p> <p>TOLERANCES:</p> <p>FRACTIONAL: ± 1/16"</p> <p>ANGLE: ± 5°</p> <p>XX ± .03", XXX ± .010</p> <p>INTERPRET DIM AND TOL PER ASME 14.5M-1994</p>	<p>DESCRIPTION</p> <p>CLEAT 6-1/2 BLASTED FINISH</p>		<p>GG Schmitt & Sons</p> <p>2021 01/19/21 Lewistown, PA 15460 7200 1/2" x 1/2" x 1/2" (10) (30) (767)</p>	
		<p>PART NO.</p> <p>672-468</p>		<p>REV</p>	
<p>DRAWN</p> <p>CHECKED</p>	<p>CONOR W</p>	<p>8/20/21</p>	<p>SCALE</p> <p>1:2</p>	<p>DO NOT SCALE DRAWING</p>	<p>SIZE</p> <p>A</p>
			<p>SHEET</p> <p>1 OF 1</p>		

6

5

4

3

2

1