



Winsted[®]
Control Room Consoles

IMPULSE[™]
DUAL SIT/STAND CONSOLES



IMPULSE™ DUAL SIT/STAND CONSOLES

Winsted Impulse Series Dual Sit/Stand Consoles feature dual adjustability for the most configurable workspace solution. At the push of a button, users can adjust monitor and work surfaces independent of each other to meet their specific needs. Ideal for multi-user multi-shift 24/7 applications, Impulse consoles easily configure for the broadest range of staff while still delivering the ergonomic advantages of a sit/stand desk system. Winsted Impulse Dual Sit/Stand Consoles are ergonomic designed and infinitely configurable.

IMPULSE - DUAL SIT/STAND

PRODUCT FEATURES AND HIGHLIGHTS

Safeguard Edge Work Surface

Impulse consoles come standard with a durable, high pressure Graphite Nebula laminated work surface featuring our proprietary Safeguard Edge.

Versa-Trak Monitor Mounting System

Integrated horizontal aluminum track system will support a wide variety of monitor arrays. Versa-Trak offers the ultimate in versatility with easy horizontal adjustment. Post-mounted VESA brackets provide vertical adjustability along with the ability to tilt and pivot the monitors.

Electric-Lift Legs

Quickly and easily adjust the work surface height from 30" to 46" at the push of a button. Each work surface has a load capacity of 520 lbs.

Adjustable Monitor Mounts

VESA-compliant pivot/tilt mounts easily attach monitors to a support post, and provides smooth pivot and pitch adjustment for optimal viewing of flat panel monitors.

Perforated Privacy Panel

Decorative, perforated privacy panel conceals cables, enhances the look of the console and adds an element of privacy for the operator.

Easy-Access Cable Management

Enhance reliability while protecting and managing your cables. All Impulse consoles feature a large cable channel incorporated into the modesty panel. In addition, there are four vertical cable carriers that travel with the work surfaces.

Three Monitor Mount Post Heights

Available in three different heights: 15", 28-1/2", and 42" so you can create a monitor array suitable for any application.

CPU Pedestal

CPU pedestal with leg levelers mounts to the inside of the leg and features two slots for adjustable Velcro® straps to keep your CPU safe and secure.

Decorative End Panels (Optional)

Complete the look of your console with our popular TruForm end panels, which are available in a wide variety of colors. Optional end panels can also be custom ordered in laminate or solid-surface materials.

Powder-Coat Paint

The Impulse infrastructure is coated with a durable black powder-coat paint that accentuates the work surface. Textured finish prevents fingerprints and lasts for years.

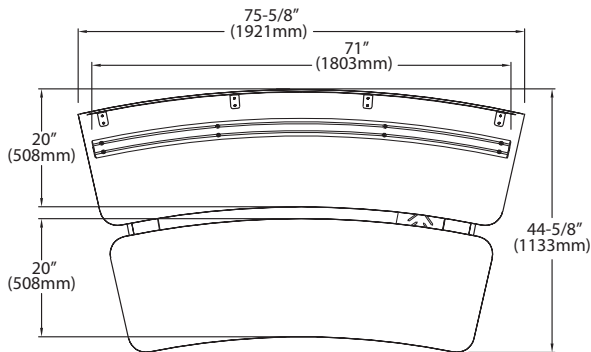




IMPULSE PARADIGM



B3211



HEALTHY MOVEMENT

Standing at your desk for three hours a day during the typical five-day workweek burns about 750 calories. Over the course of a year that adds up to more than 30,000 extra calories, which is the equivalent of running about 10 marathons.¹

IMPULSE PARADIGM DUAL SIT/STAND CONSOLE

MODEL#	WORK SURFACE HEIGHT	WIDTH	DEPTH
B3211	30"-46" (762-1168mm)	75-5/8" (1921mm)	44-5/8" (1133mm)
Dual surface sit/stand console.			
B3311	30"-46" (762-1168mm)	75-5/8" (1921mm)	44-5/8" (1133mm)
Single surface sit/stand console.			
B3216	30" (762mm)	75-5/8" (1921mm)	44-5/8" (1133mm)

Single surface stationary console.
Monitor mounts sold separately, see page 37.

¹ Mosley, M. (2013, Oct. 16). Calorie Burner. Retrieved from www.bbc.com



IMPULSE AMPLIFY

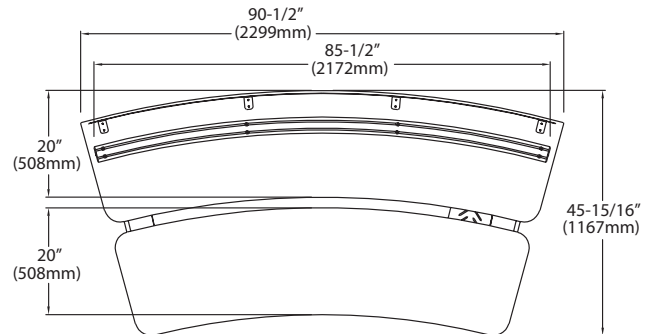
BOOST MORALE

Sit/stand desks are height-adjustable to provide the ideal fit for each individual. People who are more comfortable and better able to accomplish their tasks will find greater satisfaction in their jobs, thus improving the morale of the organization.



B3231

IMPULSE AMPLIFY DUAL SIT/STAND CONSOLE			
MODEL#	WORK SURFACE HEIGHT	WIDTH	DEPTH
B3231	30"-46" (762-1168mm)	90-1/2" (2299mm)	45-15/16" (1167mm)
Dual surface sit/stand console.			
B3321	30"-46" (762-1168mm)	90-1/2" (2299mm)	45-15/16" (1167mm)
Single surface sit/stand console.			
B3236	30" (762mm)	90-1/2" (2299mm)	45-15/16" (1167mm)
Single surface stationary console. Monitor mounts sold separately, see page 37.			





IMPULSE ALCOVE



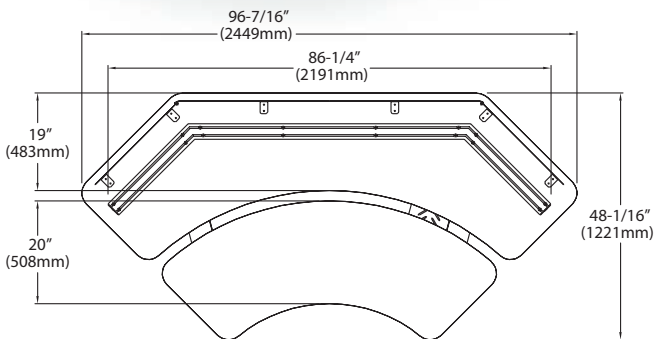
B3251

ACHIEVE MORE

According to a study conducted by the Draugiem Group, standing leads to a 10 percent increase in productivity. Standing for periods during the workday also results in higher energy levels, improved concentration and fewer headaches. ²

IMPULSE ALCOVE DUAL SIT/STAND CONSOLE			
MODEL#	WORK SURFACE HEIGHT	WIDTH	DEPTH
B3251	30"-46" (762-1168mm)	96-7/16" (2449mm)	48-1/16" (1221mm)
Dual surface sit/stand console.			
B3331	30"-46" (762-1168mm)	96-7/16" (2449mm)	48-1/16" (1221mm)
Single surface sit/stand console.			
B3256	30" (762mm)	96-7/16" (2449mm)	48-1/16" (1221mm)
Single surface stationary console. Monitor mounts sold separately, see page 37.			

² Gifford, G. (2013, Sept. 26). *We Tested Standing Desks*. Retrieved from: readwrite.com





IMPULSE LINEAR

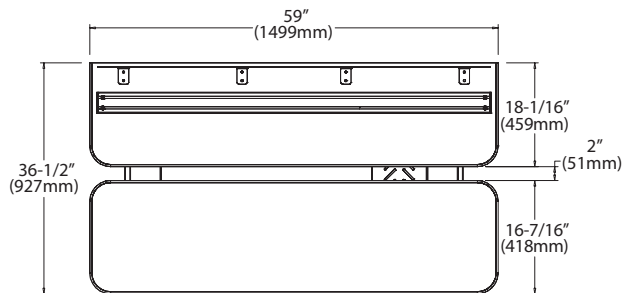
COMPACT PROFILE

All the great features of our popular curved Impulse consoles in a space-saving straight configuration. This 59" wide console is perfect for a single operator working with multiple monitors.



B3261

IMPULSE LINEAR DUAL SIT/STAND CONSOLES			
MODEL#	WORK SURFACE HEIGHT	WIDTH	DEPTH
B3261	30"-46" (762-1168mm)	59" (1499mm)	36-1/2" (927mm)
Dual surface sit/stand console.			
B3341	30"-46" (762-1168mm)	59" (1499mm)	36-1/2" (927mm)
Single surface sit/stand console.			
B3266	30" (762mm)	59" (1499mm)	36-1/2" (927mm)
Single surface stationary console. Monitor mounts sold separately, see page 37.			





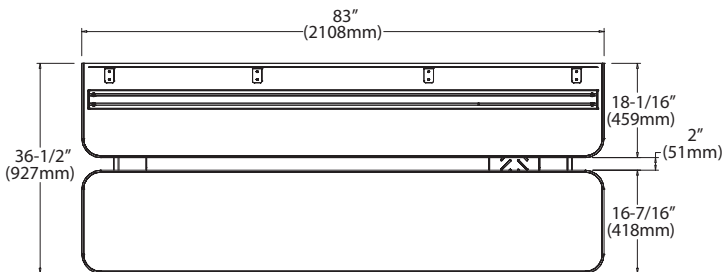
IMPULSE LINEAR XL



B3271

EXTRA WORK SPACE

Movement throughout the day is important to maintaining good health. Alternating between sitting and standing is a healthy activity that increases energy and reduces fatigue. This 83" wide linear sit/stand console offers extra work space for your operators.



IMPULSE LINEAR XL DUAL SIT/STAND CONSOLES

MODEL#	WORK SURFACE HEIGHT	WIDTH	DEPTH
B3271	30"-46" (762-1168mm)	83" (2108mm)	36-1/2" (927mm)
Dual surface sit/stand console.			
B3351	30"-46" (762-1168mm)	83" (2108mm)	36-1/2" (927mm)
Single surface sit/stand console.			
B3276	30" (762mm)	83" (2108mm)	36-1/2" (927mm)
Single surface stationary console. Monitor mounts sold separately, see page 37.			

AXIOM MONITOR MOUNTS: (1.5" DIA. MOUNTING POSTS)

W6471

15" Post - Single Monitor Post Mount, Vertical



W6472

28-1/2" Post - Dual Monitor Post Mount, Vertical



W6473

42" Post - Triple Monitor Post Mount, Vertical



W6469

Adjustable Phone Tray Mounts to Versa-Trak



W6491

15" Post - Single Monitor Articulating Arm



W6492

28-1/2" Post - Single Monitor Articulating Arm



W6493

28-1/2" Post - Dual Monitor Two Articulating Arms



W6475

15" Post with Height Adjustable Arm



M-VIEW RIZE

SIT/STAND MONITOR WALL

M-View Rize is the perfect compliment to any console system, including all Impulse consoles. As the operator changes the height of the console, the M-View Rize is able to adjust the height of the monitors on the wall in order to maintain proper ergonomics and optimal sight lines. Available in two standard configurations. We offer a 43" wide configuration for a single monitor and an 83" wide configuration for dual monitors.

HEIGHT ADJUSTABLE



M1082

M-VIEW RIZE MONITOR WALLS

MODEL#	DIMENSIONS
M1082	87"H x 43"W x 24-3/8"D (2210 x 1092 x 619mm)
M1088	87"H x 83"W x 24-3/8"D (2210 x 2108 x 619mm)

Electric actuators adjust monitor height at the push of a button. Remote control included.



IMPULSE PARADIGM PENINSULA

MODEL#	DIMENSIONS
B3219	30"H x 36-1/4"W x 68-7/8"D (762 x 921 x 1749 mm)

Peninsula for Impulse Paradigm consoles.



IMPULSE AMPLIFY PENINSULA

MODEL#	DIMENSIONS
B3239	30"H x 40"W x 68-7/8"D (762 x 1016 x 1749 mm)

Peninsula for Impulse Amplify consoles.



IMPULSE LINEAR AND LINEAR XL PENINSULA

MODEL#	DIMENSIONS
B3269	30"H x 28"W x 65-1/2"D (762 x 711 x 1664 mm)

Peninsula for Impulse Linear and Linear XL consoles.



IMPULSE ALCOVE CREDENZA

MODEL#	DIMENSIONS
B3259	30"H x 53-3/4"W x 43-1/2"D (762 x 1365 x 1105mm)

Credenza with two file cabinets for Impulse Alcove consoles.

IMPULSE KEYBOARD TRAY

MODEL#	INSIDE TRAY DIMENSIONS
32250	2"H x 20-3/4"W x 6-1/2"D (51 x 528 x 165mm)

Keyboard tray conveniently mounts to the underside of the work surface.



IMPULSE WIRELESS REMOTE

MODEL#	DIMENSIONS	WEIGHT
B3249	1/2"H x 1-3/4"W x 5-1/2"D (13 x 44 x 140mm)	0.5 LBS.

Wireless remote allows the user to adjust the height of both Impulse work surfaces.



POWER OUTLET WITH CIRCUIT BREAKER

MODEL#	DESCRIPTION	AMP	OUTLET LENGTH	WEIGHT
30701	Six-outlet	15	12-1/4" (311mm)	3 LBS.

Lighted On/Off switch. Mounts anywhere on the underside of any standard Impulse work surface. Features a 15 foot cord.



CPU PEDESTAL

MODEL#	DESCRIPTION	WEIGHT
32087	CPU Pedestal - 8"W x 19-1/2"D (203 x 495mm)	5 LBS.

CPU pedestal with leg levelers mounts to the inside of the end frame and includes two adjustable Velcro straps (Part# 12765).



FLOOR CABLE MANAGEMENT SYSTEM

MODEL#	DESCRIPTION
B3201	Floor Cable System for Linear and Linear XL
B3203	Floor Cable System for Paradigm
B3205	Floor Cable System for Amplify and Alcove

Conveniently routes and protects cables between Impulse end frames.

