

## 2 MP Turret Camera: Memory Card Installation

**Last modified:** 11/16/20

### Introduction

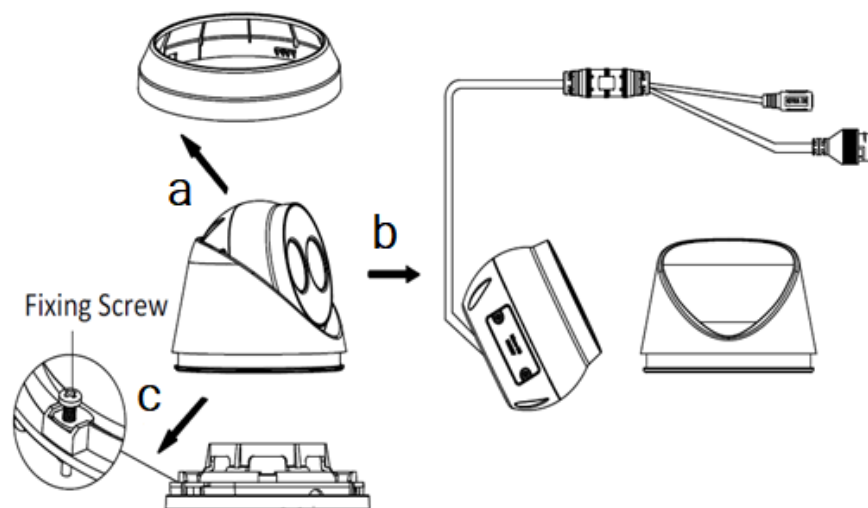
The purpose of this document is to go over the installation of a memory card in the 2 MP Turret Camera.

### Installation

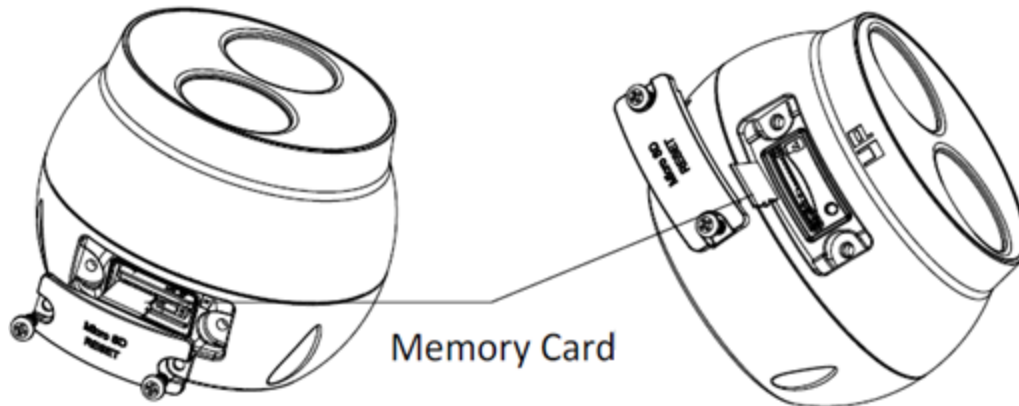
Use the following instructions to install the memory card.

#### To install the memory card:

1. Disassemble the camera.
  - a. Rotate the trim ring counter-clockwise to take it off from the camera.
  - b. Loosen the fixing screw. Take the mounting base off from the camera and the enclosure.
  - c. Separate the camera and the enclosure.



2. Install the memory card.
  - a. Unscrew the memory card slot cover.
  - b. Insert the memory card.



3. **(Optional)** Remove the memory card.
  - a. **(Optional)** to unmount the memory card, push to get it ejected.
  - b. Screw the memory card slot cover back.
4. Reassemble the camera.
  - a. Attach and secure memory card slot cover.

**Note:** Ensure that when the memory card slot cover is secured that the black weather sealing is intact and not crimped or folded.
  - b. Resecure the camera to the enclosure.
  - c. Secure the fixing screw. Reattach the mounting base to the camera.
  - d. Rotate the trim ring clockwise until secure.

## Contact information

Clare Controls, LLC.  
7519 Pennsylvania Ave, Suite 104  
Sarasota, FL 34243

General: 941.328.3991  
Fax: 941.870.9646  
www.clarecontrols.com

Integrator/Dealer Support: 941.404.1072  
claresupport@clarecontrols.com

Homeowner Support (ClareCare): 941.315.2273 (CARE)  
help@clarecontrols.com