


Count	Description
1	<p data-bbox="225 338 427 365"><b>NBS 030-070/5.59</b></p>  <p data-bbox="619 638 1061 660">Product photo could vary from the actual product</p> <p data-bbox="225 672 486 694">Product No.: <a href="#">92560301</a></p> <p data-bbox="225 757 1428 806">The pumps are non-self-priming, single-stage, centrifugal volute pumps with axial inlet port, radial outlet port and horizontal shaft.</p> <p data-bbox="225 817 1380 866">The pump has a back pull-out design enabling removal of the motor, motor stool, cover and impeller without disturbing the pump housing or pipework.</p> <p data-bbox="225 878 1388 900">All pumps are according to ISO 5199 standards, adjusted for American dimensions on pump and its flanges.</p> <p data-bbox="225 934 1417 983">Inlet and outlet flanges are according to ASME 16.1/16.42. Dimensions and rated performance are according to 175/363 PSI (12/25 bar).</p> <p data-bbox="225 1016 938 1039">The mechanical shaft seal has dimensions according to EN 12756.</p> <p data-bbox="225 1077 1372 1126">Motors are with main dimensions to NEMA standards. The pumps can be equipped with an MLE motor with integrated frequency converter or connected to a Grundfos CUE external frequency converter.</p>



Company name:

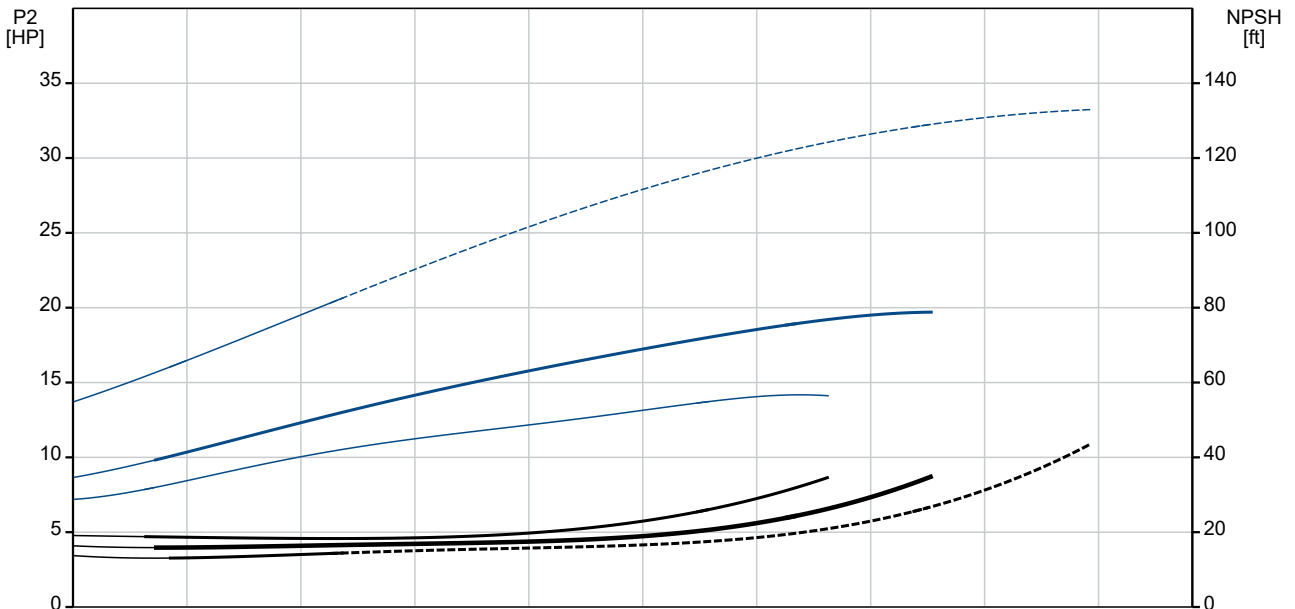
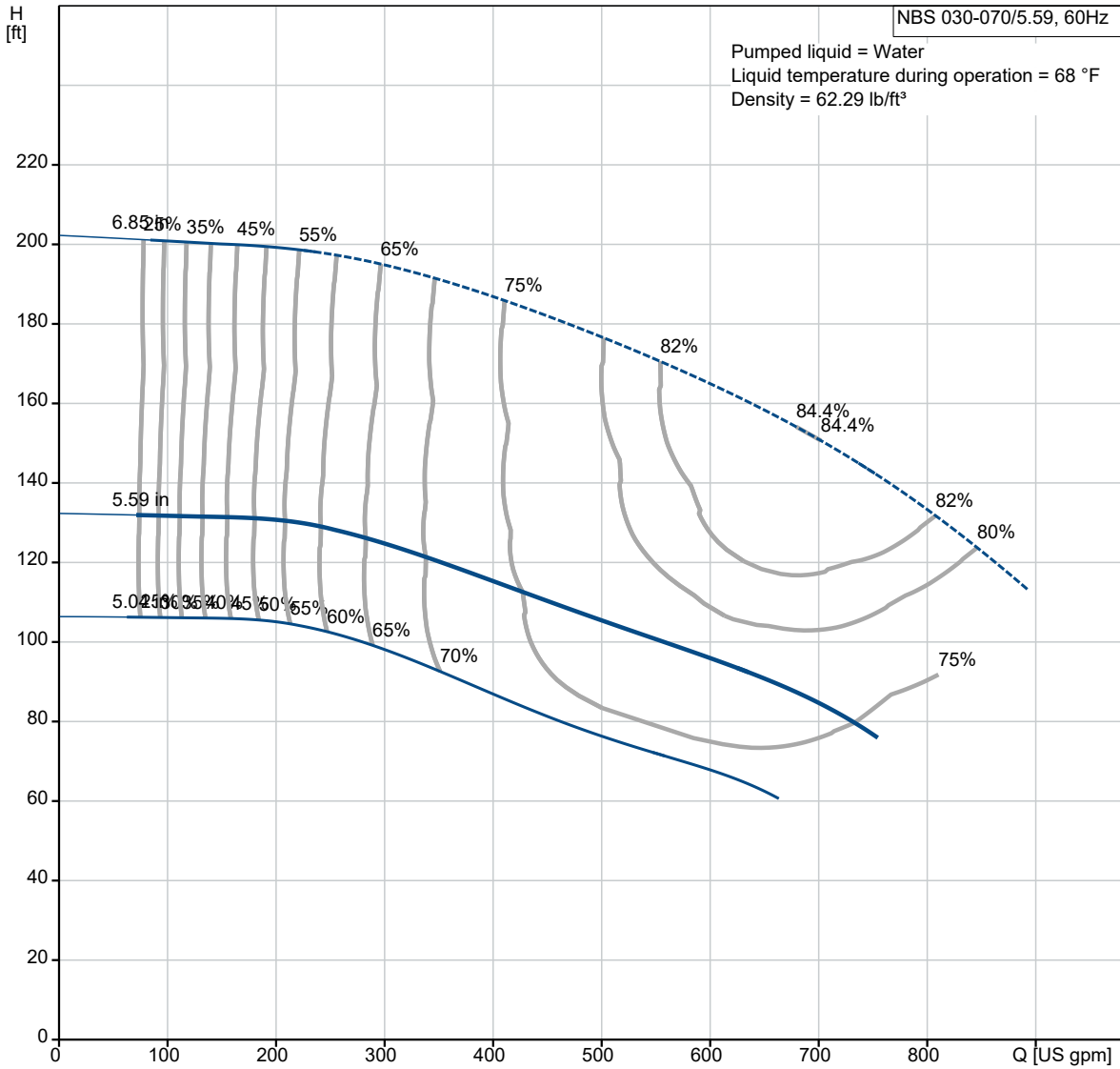
Created by:

Phone:

Date:

12/19/2021

**92560301 NBS 030-070/5.59 AASG6S2ESBQQEOX2 60 Hz**







Company name:

Created by:

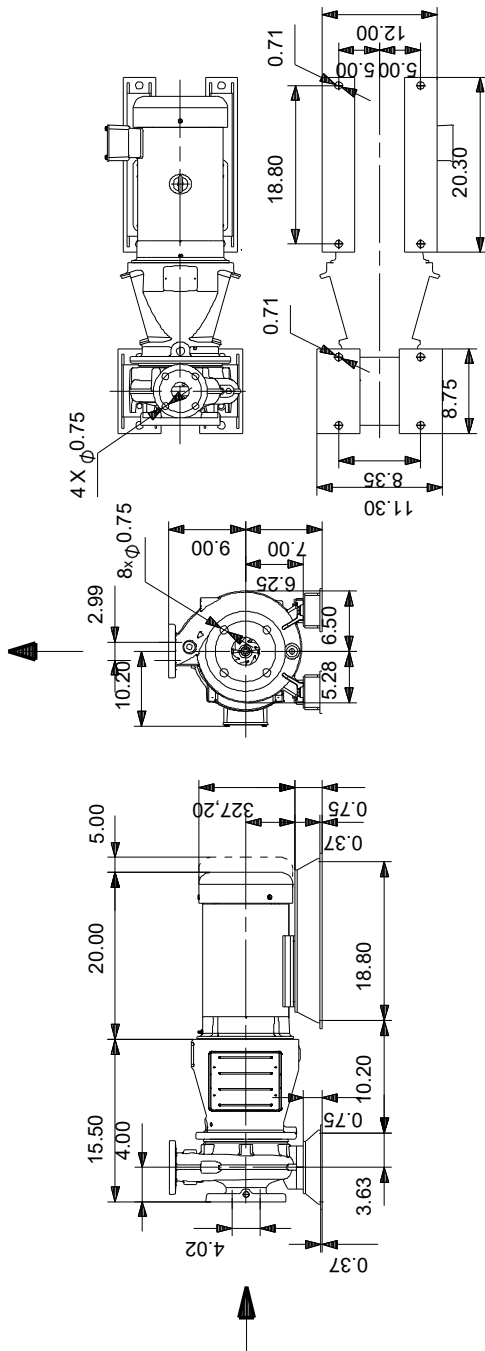
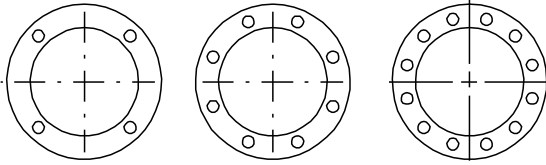
Phone:

Date:

12/19/2021

Description	Value
Country of origin:	US

## 92560301 NBS 030-070/5.59 AASG6S2ESBQQEOX2 60 Hz



Note! All units are in [in] unless otherwise stated.  
Disclaimer: This simplified dimensional drawing does not show all details.