


Count	Description
1	<p data-bbox="225 338 438 360">NBS 040-150/13.46</p>  <p data-bbox="619 636 1061 658">Product photo could vary from the actual product</p> <p data-bbox="225 667 486 689">Product No.: 92560182</p> <p data-bbox="225 757 1428 808">The pumps are non-self-priming, single-stage, centrifugal volute pumps with axial inlet port, radial outlet port and horizontal shaft.</p> <p data-bbox="225 815 1380 866">The pump has a back pull-out design enabling removal of the motor, motor stool, cover and impeller without disturbing the pump housing or pipework.</p> <p data-bbox="225 873 1388 902">All pumps are according to ISO 5199 standards, adjusted for American dimensions on pump and its flanges.</p> <p data-bbox="225 931 1417 983">Inlet and outlet flanges are according to ASME 16.1/16.42. Dimensions and rated performance are according to 175/363 PSI (12/25 bar).</p> <p data-bbox="225 1019 938 1048">The mechanical shaft seal has dimensions according to EN 12756.</p> <p data-bbox="225 1079 1372 1131">Motors are with main dimensions to NEMA standards. The pumps can be equipped with an MLE motor with integrated frequency converter or connected to a Grundfos CUE external frequency converter.</p>



Company name:

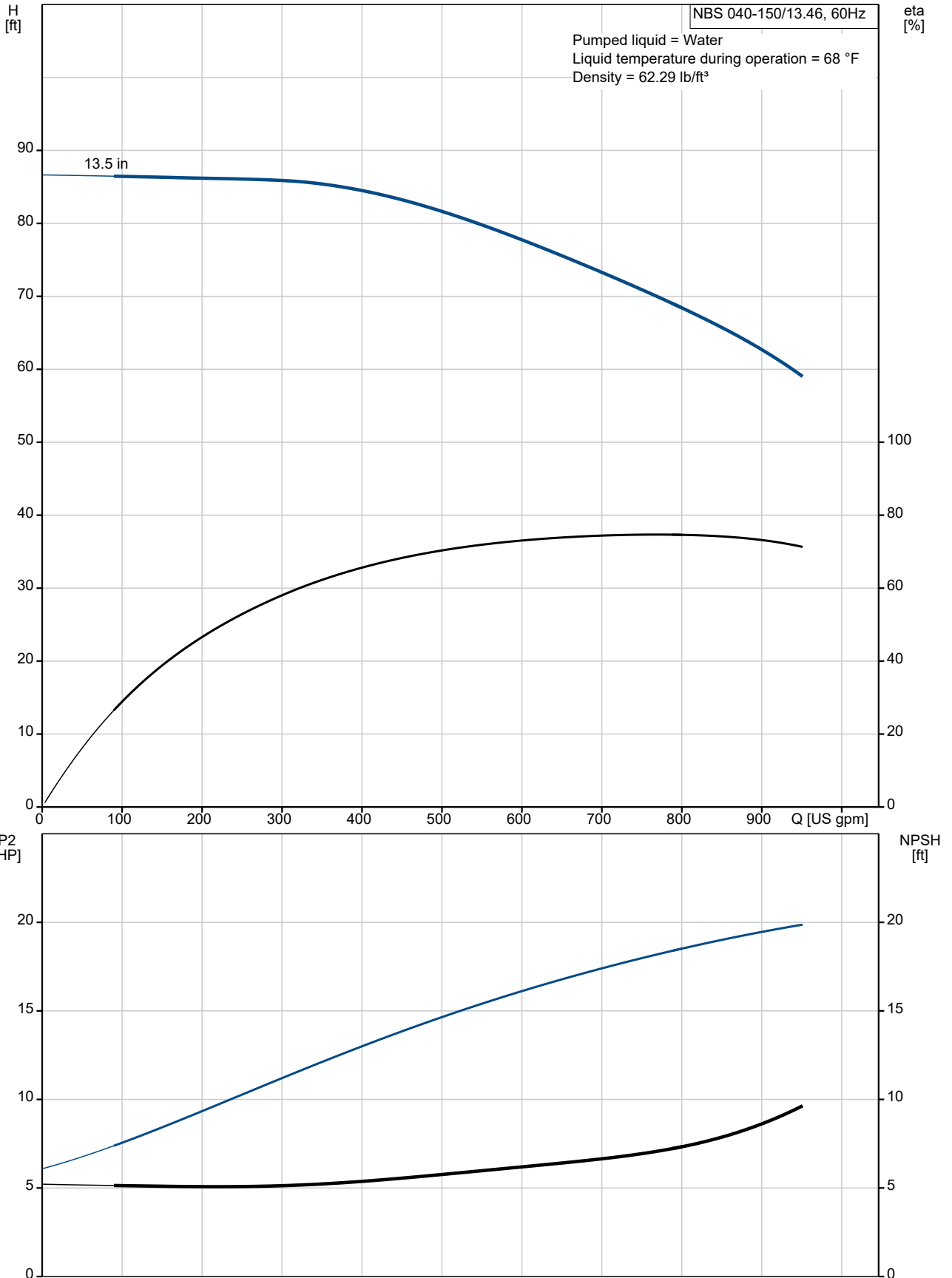
Created by:

Phone:

Date:

12/26/2021

92560182 NBS 040-150/13.46 AASG6S2ESBQQEOY6 60 Hz



Description	Value
-------------	-------

General information:

Product name: NBS 040-150/13.46
AASG6S2ESBQQEOY6

Product No.: [92560182](#)

EAN: 5715116269177

Price:

Technical:

Rated pump speed: 1180 rpm

Rated flow: 760 US gpm

Rated head: 72.9 ft

Actual impeller diameter: 13.5 in

Code for shaft seal: BQQE

Curve tolerance: 2B HI 14.6:2016

Pump version: A

Materials:

Pump housing: Cast iron

Pump housing: EN-GJL-250

Pump housing: ASTM A48-35

Impeller: Stainless steel

Impeller: EN 1.4308

Impeller: AISI 304

Shaft: Stainless steel

Shaft: EN 1.4201/1.4034

Shaft: AISI 420

Internal pump house coating: No coating

Material code: S2

Code for rubber: E

Installation:

t max amb: 104 °F

Maximum operating pressure: 174.05 psi

Type of connection: ANSI

Size of inlet connection: DN 125

Size of outlet connection: DN 100

Pressure rating for connection: Class 125

Mounting options design code: B

Support block (Yes/No): Y

Connect code: G

Liquid:

Pumped liquid: Water

Liquid temperature range: -13 .. 248 °F

Selected liquid temperature: 68 °F

Density: 62.29 lb/ft³

Electrical data:

Motor standard: NEMA

IE efficiency class: IE3 / NEMA Premium

Rated power - P2: 20 HP

Main frequency: 60 Hz

Rated voltage: 3 x 230/460 V

Rated current: 54-27 A

Rated speed: 1180 rpm

Number of poles: 6

Enclosure class (IEC 34-5): TEFC

Mounting designation (IEC 34-7, Code I): NEMA type C / foot

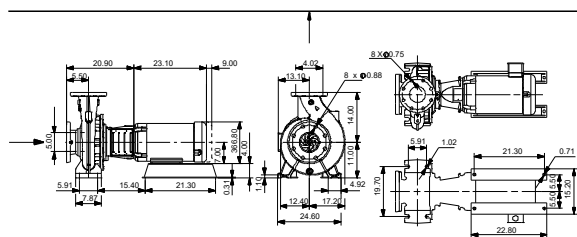
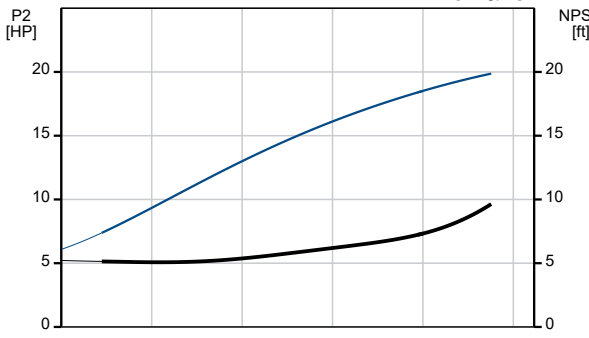
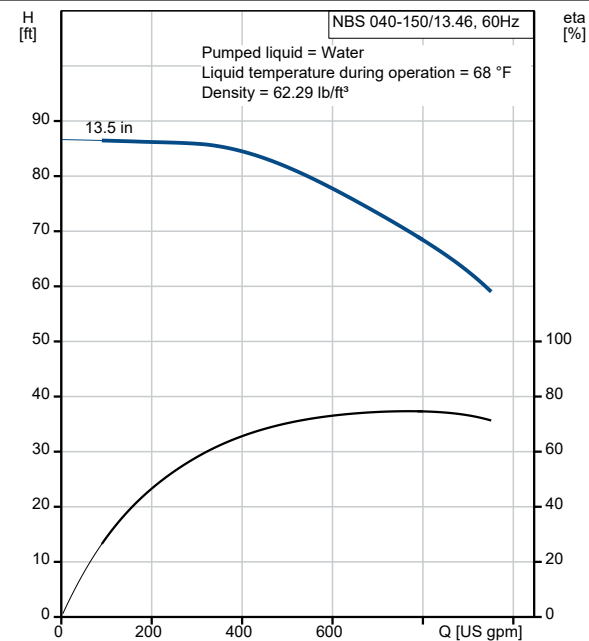
Others:

DOE Pump Energy Index CL: 0.00

Net weight: 840 lb

Gross weight: 842 lb

Shipping volume: 25.6 ft³





Company name:

Created by:

Phone:

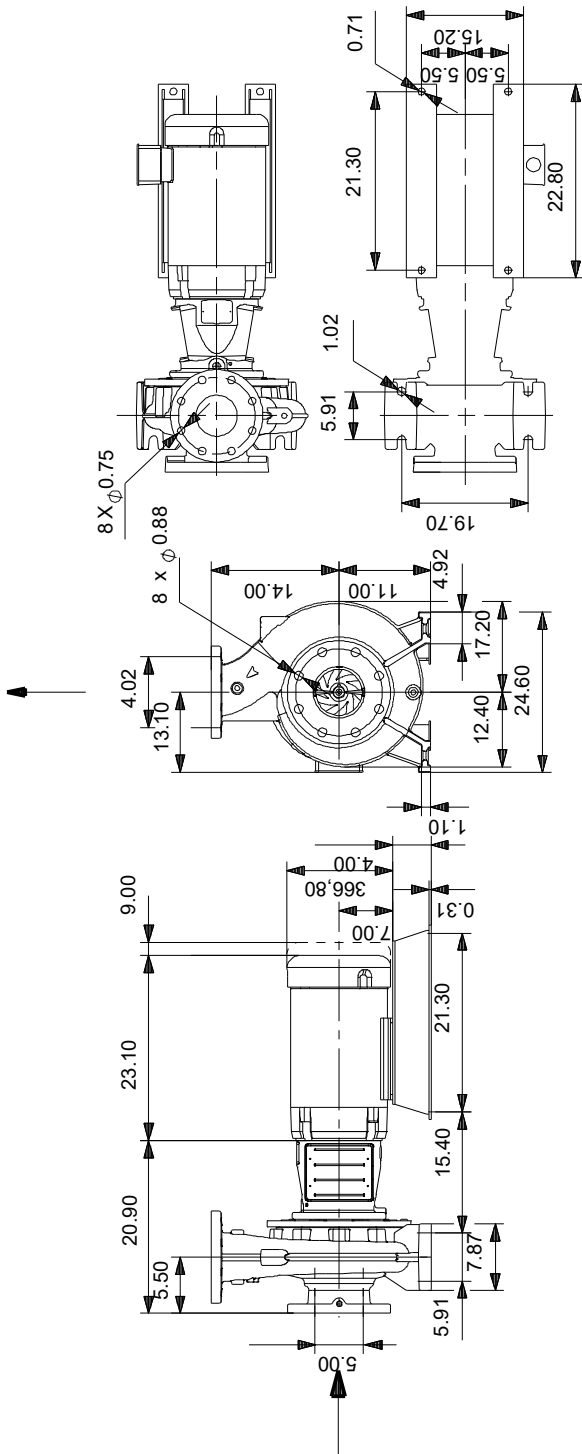
Date:

12/26/2021

Description	Value
-------------	-------

Country of origin:	US
--------------------	----

92560182 NBS 040-150/13.46 AASG6S2ESBQQEOY6 60 Hz



Note! All units are in [in] unless otherwise stated.
 Disclaimer: This simplified dimensional drawing does not show all details.