

Count	Description
1	<p data-bbox="225 338 483 360"><b>NBS 040-070/5.12-4.80</b></p>  <p data-bbox="619 629 1062 651">Product photo could vary from the actual product</p> <p data-bbox="225 663 488 685">Product No.: <a href="#">92560140</a></p> <p data-bbox="225 752 1426 801">The pumps are non-self-priming, single-stage, centrifugal volute pumps with axial inlet port, radial outlet port and horizontal shaft.</p> <p data-bbox="225 808 1377 857">The pump has a back pull-out design enabling removal of the motor, motor stool, cover and impeller without disturbing the pump housing or pipework.</p> <p data-bbox="225 864 1386 887">All pumps are according to ISO 5199 standards, adjusted for American dimensions on pump and its flanges.</p> <p data-bbox="225 925 1417 974">Inlet and outlet flanges are according to ASME 16.1/16.42. Dimensions and rated performance are according to 175/363 PSI (12/25 bar).</p> <p data-bbox="225 1012 940 1034">The mechanical shaft seal has dimensions according to EN 12756.</p> <p data-bbox="225 1072 1372 1122">Motors are with main dimensions to NEMA standards. The pumps can be equipped with an MLE motor with integrated frequency converter or connected to a Grundfos CUE external frequency converter.</p>



Company name:

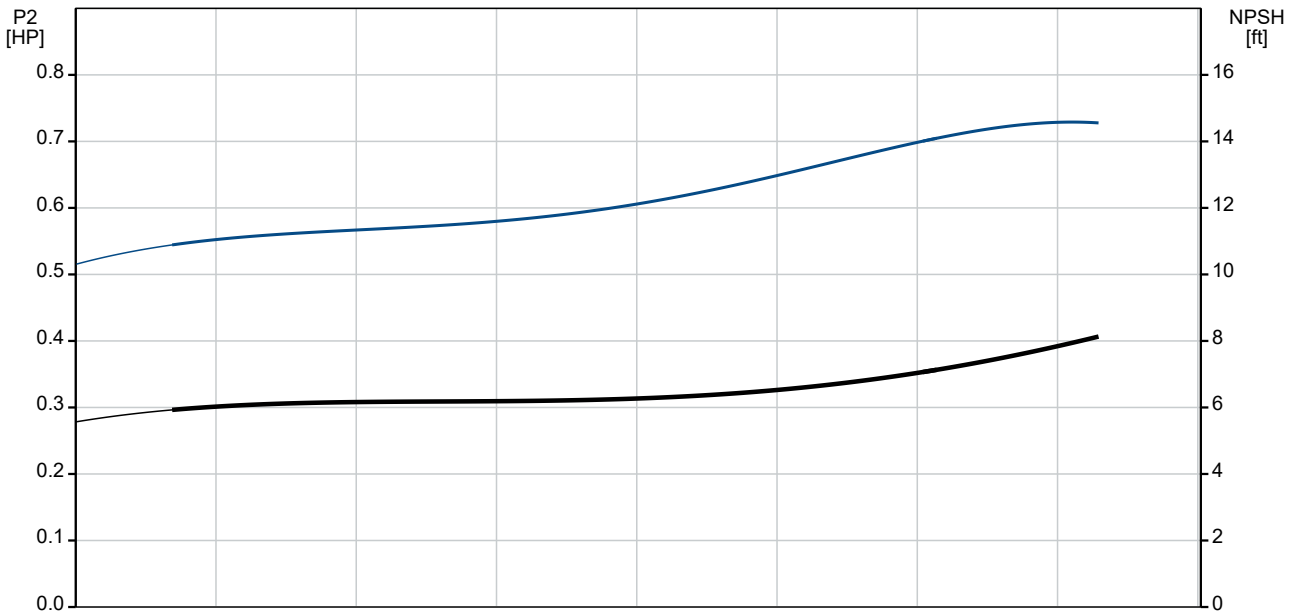
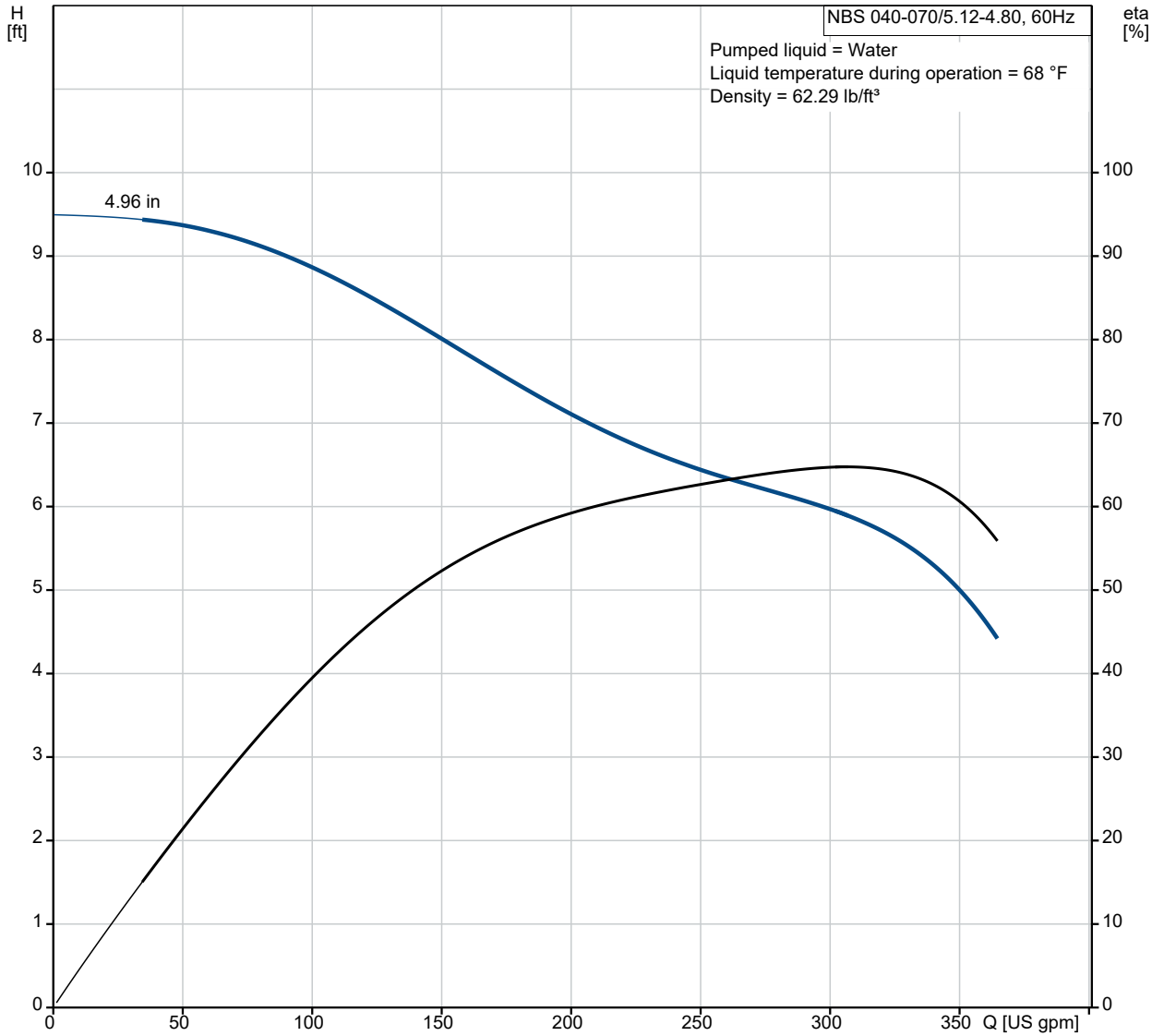
Created by:

Phone:

Date:

12/22/2021

### 92560140 NBS 040-070/5.12-4.80 AASG6S2ESBQQEFY6 60 Hz







Company name:

Created by:

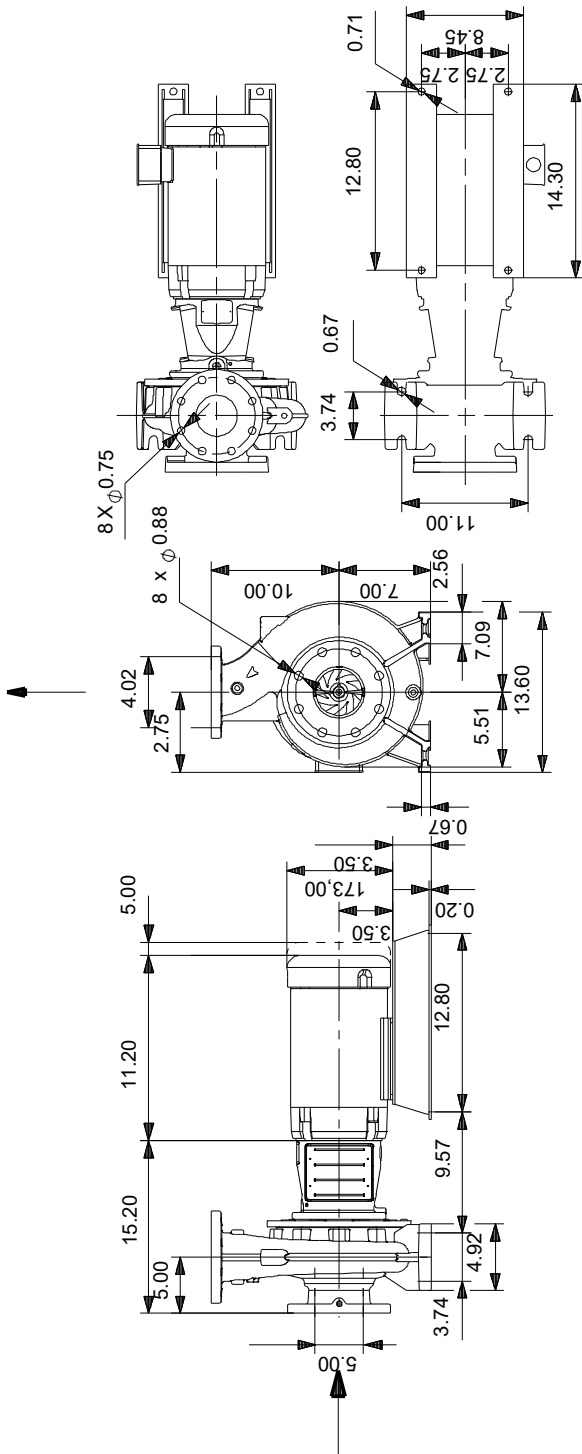
Phone:

Date:

12/22/2021

Description	Value
Country of origin:	US

## 92560140 NBS 040-070/5.12-4.80 AASG6S2ESBQQEFY6 60 Hz



Note! All units are in [in] unless otherwise stated.  
 Disclaimer: This simplified dimensional drawing does not show all details.