

| Count | Description  |
|-------|--|
| 1     | <p data-bbox="225 338 443 365"><b>NBS 025-110/11.02</b></p>  <p data-bbox="619 629 1062 656">Product photo could vary from the actual product</p> <p data-bbox="225 663 488 689">Product No.: <a href="#">92560120</a></p> <p data-bbox="225 750 1428 801">The pumps are non-self-priming, single-stage, centrifugal volute pumps with axial inlet port, radial outlet port and horizontal shaft.</p> <p data-bbox="225 808 1377 860">The pump has a back pull-out design enabling removal of the motor, motor stool, cover and impeller without disturbing the pump housing or pipework.</p> <p data-bbox="225 866 1390 896">All pumps are according to ISO 5199 standards, adjusted for American dimensions on pump and its flanges.</p> <p data-bbox="225 927 1417 978">Inlet and outlet flanges are according to ASME 16.1/16.42. Dimensions and rated performance are according to 175/363 PSI (12/25 bar).</p> <p data-bbox="225 1010 940 1039">The mechanical shaft seal has dimensions according to EN 12756.</p> <p data-bbox="225 1070 1374 1122">Motors are with main dimensions to NEMA standards. The pumps can be equipped with an MLE motor with integrated frequency converter or connected to a Grundfos CUE external frequency converter.</p> |



Company name:

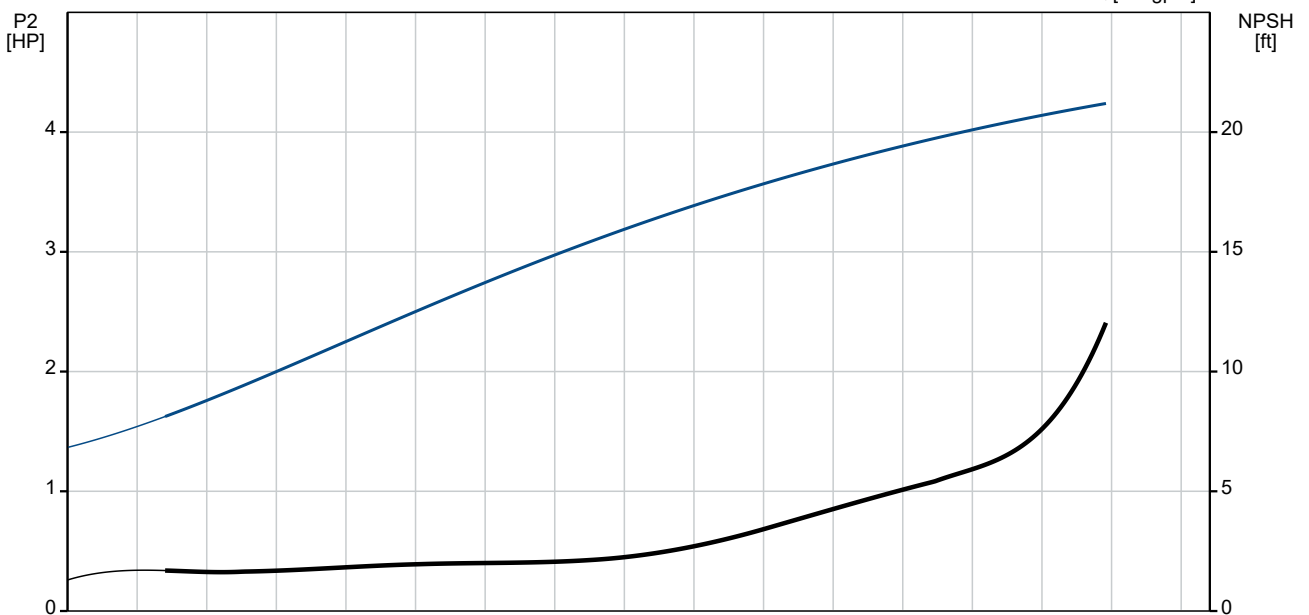
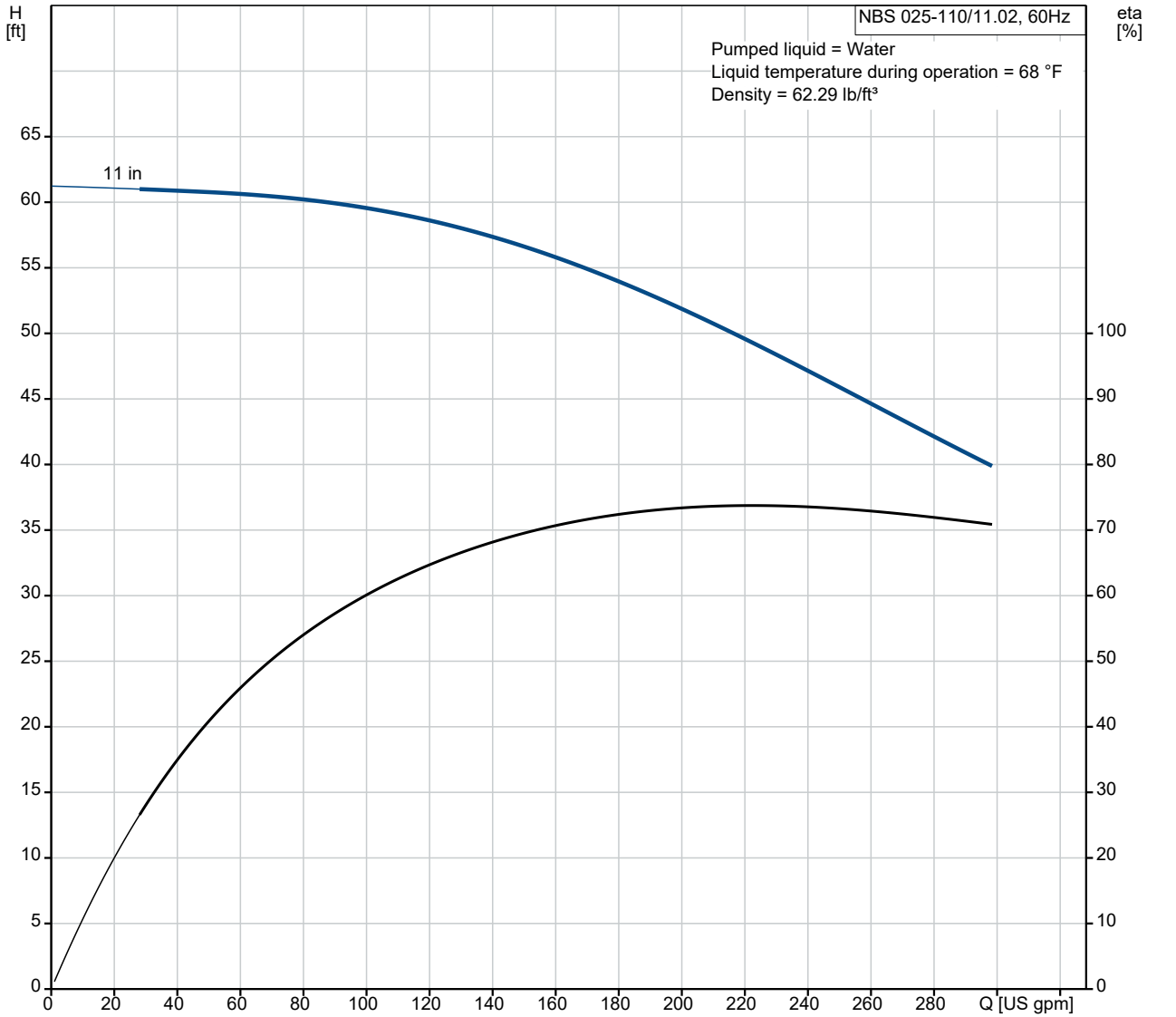
Created by:

Phone:

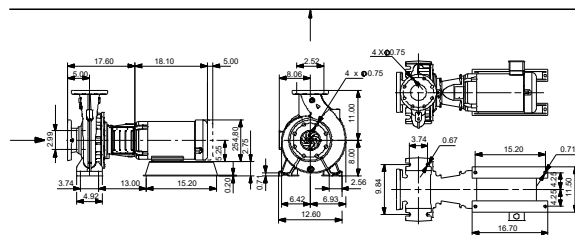
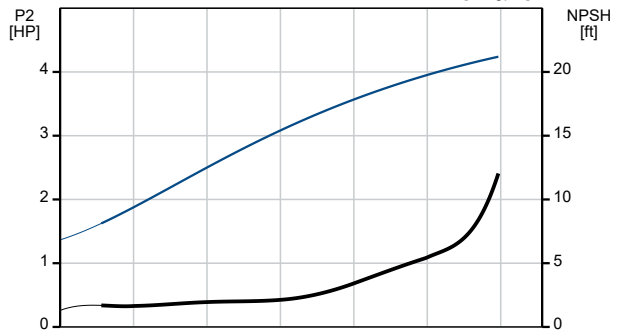
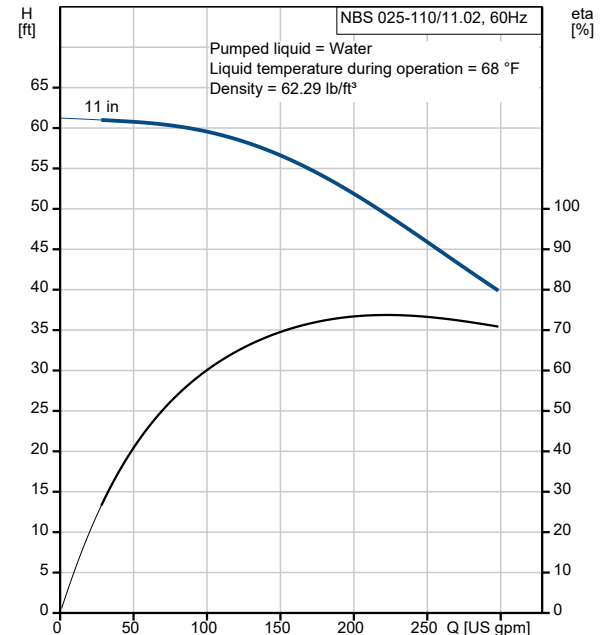
Date:

12/19/2021

### 92560120 NBS 025-110/11.02 AASG6S2ESBQQEKY6 60 Hz



| Description                              | Value                                 |
|--|---------------------------------------|
| <b>General information:</b>              |                                       |
| Product name:                            | NBS 025-110/11.02<br>AASG6S2ESBQQEKY6 |
| Product No.:                             | 92560120                              |
| EAN:                                     | 5715116268033                         |
| Price:                                   |                                       |
| <b>Technical:</b>                        |                                       |
| Rated pump speed:                        | 1160 rpm                              |
| Rated flow:                              | 221 US gpm                            |
| Rated head:                              | 48.46 ft                              |
| Actual impeller diameter:                | 11 in                                 |
| Code for shaft seal:                     | BQQE                                  |
| Curve tolerance:                         | 2B HI 14.6:2016                       |
| Pump version:                            | A                                     |
| <b>Materials:</b>                        |                                       |
| Pump housing:                            | Cast iron                             |
| Pump housing:                            | EN-GJL-250                            |
| Pump housing:                            | ASTM A48-35                           |
| Impeller:                                | Stainless steel                       |
| Impeller:                                | EN 1.4308                             |
| Impeller:                                | AISI 304                              |
| Shaft:                                   | Stainless steel                       |
| Shaft:                                   | EN 1.4201/1.4034                      |
| Shaft:                                   | AISI 420                              |
| Internal pump house coating:             | No coating                            |
| Material code:                           | S2                                    |
| Code for rubber:                         | E                                     |
| <b>Installation:</b>                     |                                       |
| t max amb:                               | 104 °F                                |
| Maximum operating pressure:              | 174.05 psi                            |
| Type of connection:                      | ANSI                                  |
| Size of inlet connection:                | DN 80                                 |
| Size of outlet connection:               | DN 65                                 |
| Pressure rating for connection:          | Class 125                             |
| Mounting options design code:            | B                                     |
| Support block (Yes/No):                  | Y                                     |
| Connect code:                            | G                                     |
| <b>Liquid:</b>                           |                                       |
| Pumped liquid:                           | Water                                 |
| Liquid temperature range:                | -13 .. 248 °F                         |
| Selected liquid temperature:             | 68 °F                                 |
| Density:                                 | 62.29 lb/ft <sup>3</sup>              |
| <b>Electrical data:</b>                  |                                       |
| Motor standard:                          | NEMA                                  |
| IE efficiency class:                     | IE3 / NEMA Premium                    |
| Rated power - P2:                        | 5 HP                                  |
| Main frequency:                          | 60 Hz                                 |
| Rated voltage:                           | 3 x 230/460 V                         |
| Rated current:                           | 14.6-7.3 A                            |
| Rated speed:                             | 1160 rpm                              |
| Number of poles:                         | 6                                     |
| Enclosure class (IEC 34-5):              | TEFC                                  |
| Mounting designation (IEC 34-7, Code I): | NEMA type C / foot                    |
| <b>Others:</b>                           |                                       |
| DOE Pump Energy Index CL:                | 0.00                                  |
| Net weight:                              | 403 lb                                |
| Gross weight:                            | 405 lb                                |
| Shipping volume:                         | 9.11 ft <sup>3</sup>                  |





Company name:

Created by:

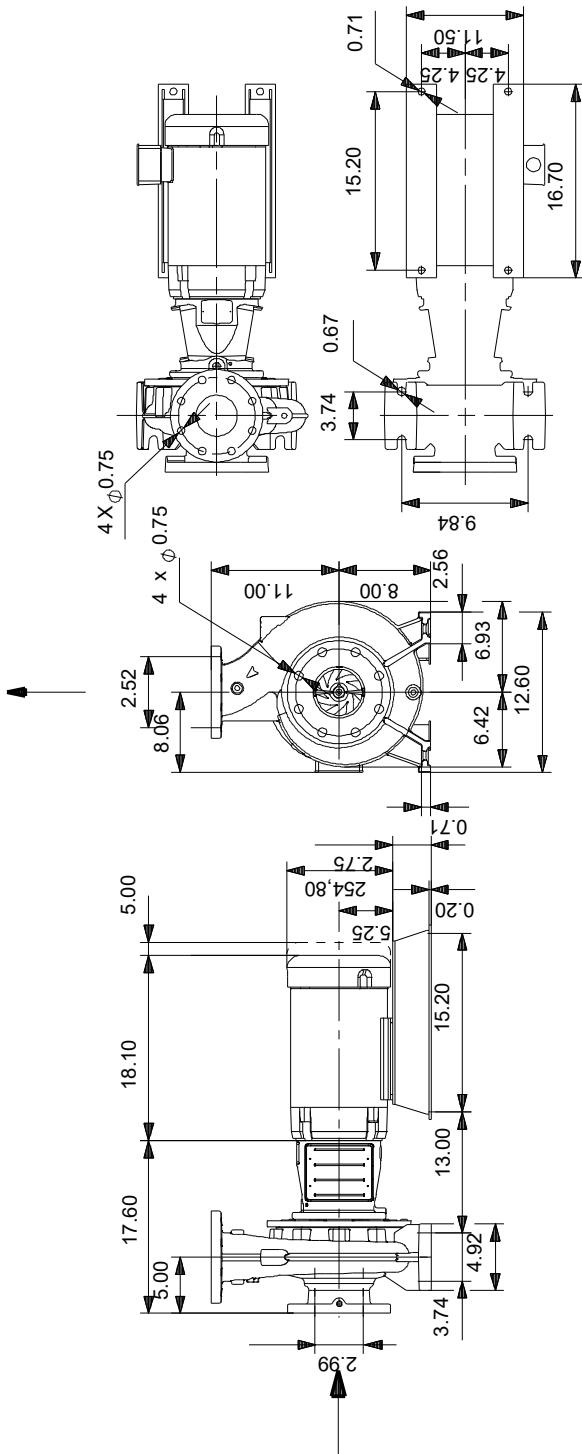
Phone:

Date:

12/19/2021

| Description        | Value |
|--------------------|-------|
| Country of origin: | US    |

## 92560120 NBS 025-110/11.02 AASG6S2ESBQQEKY6 60 Hz



Note! All units are in [in] unless otherwise stated.  
 Disclaimer: This simplified dimensional drawing does not show all details.