

| Qty. | Description |
|------|-------------|
|------|-------------|

|   |                          |
|---|--------------------------|
| 1 | <b>NBSE 025-095/7.17</b> |
|---|--------------------------|



Note! Product picture may differ from actual product

Product No.: [92613469](#)

The pumps are non-self-priming, single-stage, centrifugal volute pumps with axial inlet port, radial outlet port and horizontal shaft.

The pump has a back pull-out design enabling removal of the motor, motor stool, cover and impeller without disturbing the pump housing or pipework.

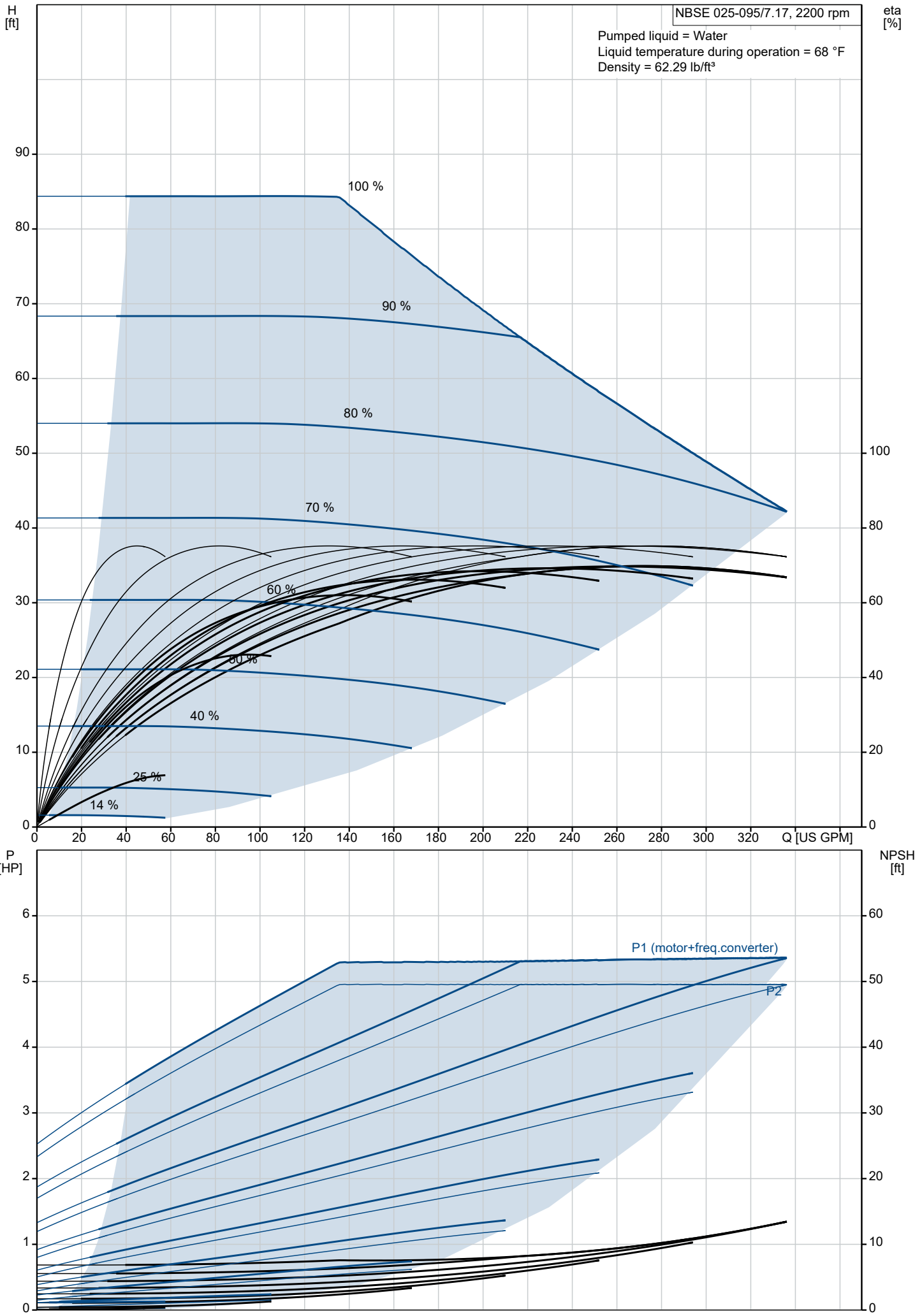
All pumps are according to ISO 5199 standards, adjusted for American dimensions on pump and its flanges.

Inlet and outlet flanges are according to ASME 16.1/16.42. Dimensions and rated performance are according to 175/363 PSI (12/25 bar).

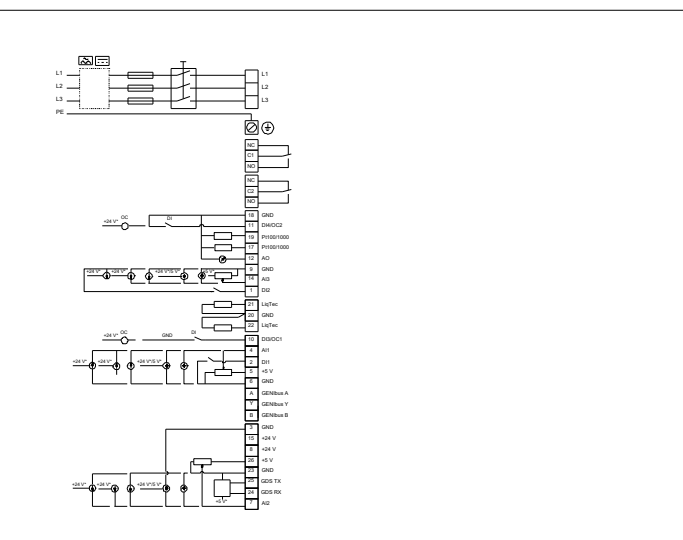
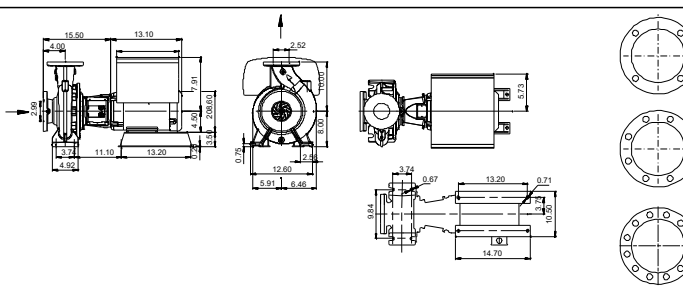
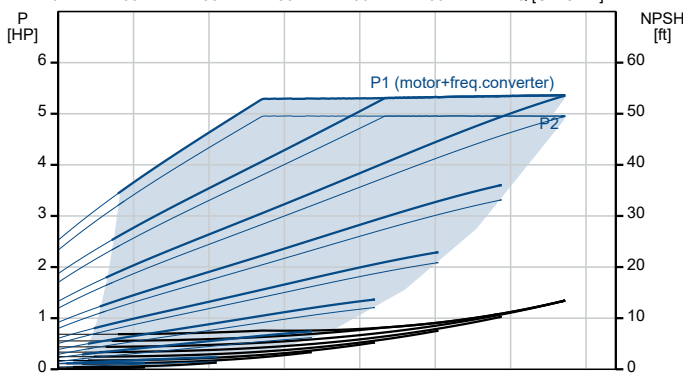
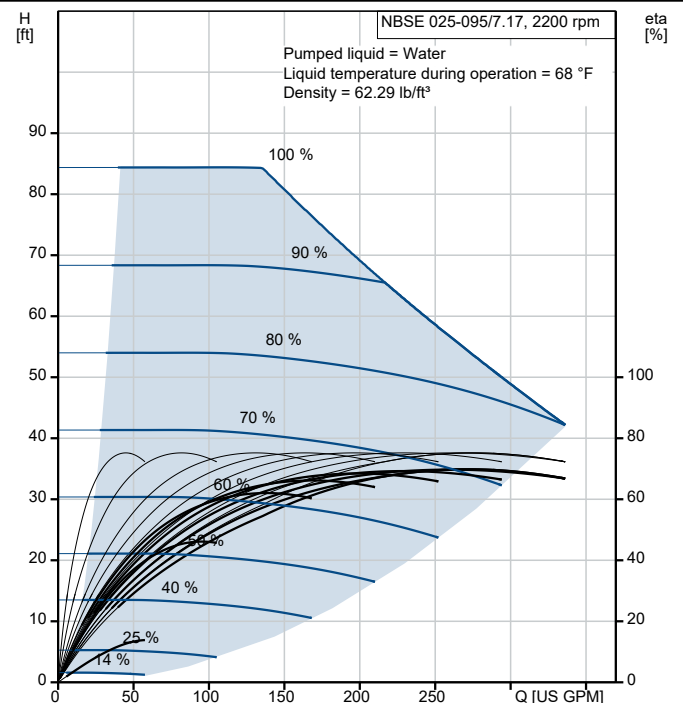
The mechanical shaft seal has dimensions according to EN 12756.

Motors are with main dimensions to NEMA standards. The pumps can be equipped with an MLE motor with integrated frequency converter or connected to a Grundfos CUE external frequency converter.

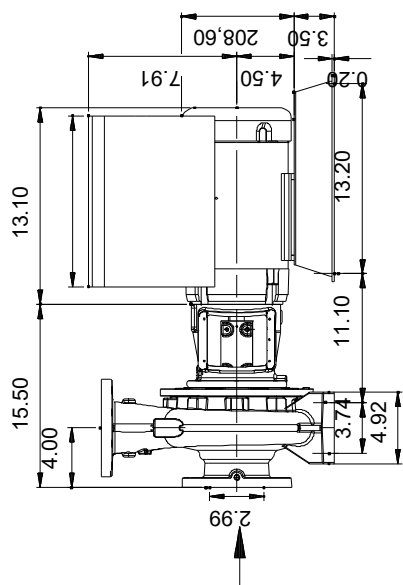
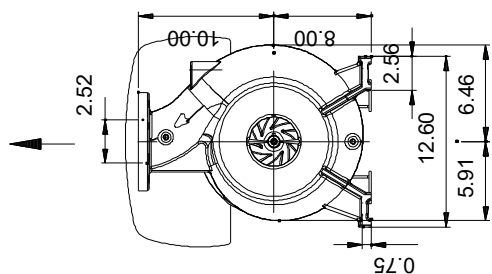
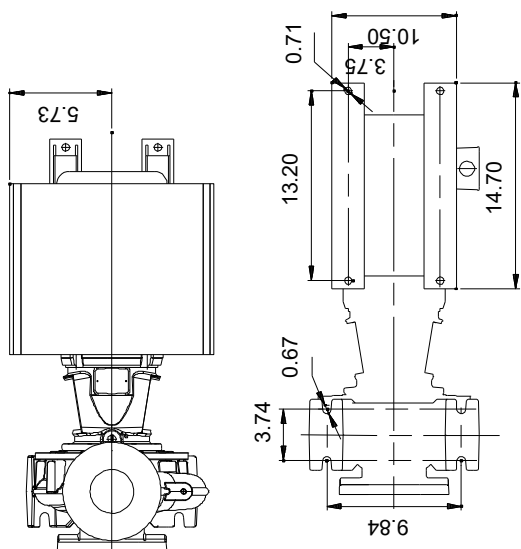
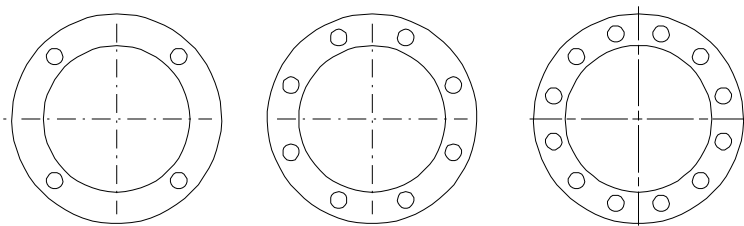
# 92613469 NBSE 025-095/7.17 ASASG6S2ESBQQEKCA 60 Hz



| Description                              | Value                                  |
|------------------------------------------|----------------------------------------|
| <b>General information:</b>              |                                        |
| Product name:                            | NBSE 025-095/7.17<br>ASASG6S2ESBQQEKCA |
| Product No:                              | 92613469                               |
| EAN number:                              | 5715117077887                          |
| <b>Technical:</b>                        |                                        |
| Pump speed on which pump data are based: | 2200 rpm                               |
| Rated flow:                              | 274 US GPM                             |
| Rated head:                              | 54 ft                                  |
| Actual impeller diameter:                | 7.17 in                                |
| Code for shaft seal:                     | BQQE                                   |
| Curve tolerance:                         | 2B HI 14.6:2016                        |
| Pump version:                            | A                                      |
| <b>Materials:</b>                        |                                        |
| Pump housing:                            | Cast iron                              |
| Pump housing:                            | EN-GJL-250                             |
| Pump housing:                            | ASTM A48-35                            |
| Impeller:                                | Stainless steel                        |
| Impeller:                                | EN 1.4308                              |
| Impeller:                                | AISI 304                               |
| Internal pump house coating:             | No coating                             |
| Material code:                           | S2                                     |
| Code for rubber:                         | E                                      |
| Shaft:                                   | Stainless steel                        |
| Shaft:                                   | EN 1.4201/1.4034                       |
| Shaft:                                   | AISI 420                               |
| <b>Installation:</b>                     |                                        |
| t max amb:                               | 122 °F                                 |
| Maximum operating pressure:              | 174.05 psi                             |
| Type of connection:                      | ANSI                                   |
| Size of inlet connection:                | DN 80                                  |
| Size of outlet connection:               | DN 65                                  |
| Pressure rating for connection:          | Class 125                              |
| Mounting options design code:            | B                                      |
| Support block (Yes/No):                  | Y                                      |
| Connect code:                            | G                                      |
| <b>Liquid:</b>                           |                                        |
| Pumped liquid:                           | Water                                  |
| Liquid temperature range:                | -13 .. 248 °F                          |
| Selected liquid temperature:             | 68 °F                                  |
| Density:                                 | 62.29 lb/ft³                           |
| <b>Electrical data:</b>                  |                                        |
| Motor standard:                          | NEMA                                   |
| Motor type:                              | 112E                                   |
| IE efficiency class:                     | IE5                                    |
| Rated power - P2:                        | 5 HP                                   |
| Mains frequency:                         | 60 Hz                                  |
| Rated voltage:                           | 3 x 440-480 V                          |
| Rated current:                           | 6.20-5.80 A                            |
| Cos phi - power factor:                  | 0.90-0.88                              |
| Rated speed:                             | 180-2200 rpm                           |
| Efficiency:                              | 92.2%                                  |
| Motor efficiency at full load:           | 92.2 %                                 |
| Number of poles:                         | 4                                      |
| Enclosure class (IEC 34-5):              | IP55                                   |
| Insulation class (IEC 85):               | F                                      |
| Built-in motor protection:               | ELEC                                   |
| Motor No:                                | 99198232                               |
| Mounting designation (IEC 34-7, Code I): | NEMA type C / foot                     |
| Bearing insulation type N-end:           | STEEL BEARING                          |
| <b>Controls:</b>                         |                                        |
| Control panel:                           | HMI300 - Advanced                      |
| Function Module:                         | FM300 - Advanced                       |
| <b>Others:</b>                           |                                        |
| DOE Pump Energy Index VL:                | 0.44                                   |
| Net weight:                              | 328 lb                                 |
| Gross weight:                            | 330 lb                                 |
| Shipping volume:                         | 6.29 ft³                               |



# 92613469 NBSE 025-095/7.17 ASASG6S2ESBQQEKCA 60 Hz



Note! All units are in [in] unless others are stated  
 Disclaimer: This simplified dimensional drawing does not show all details.

# 92613469 NBSE 025-095/7.17 ASASG6S2ESBQQEKCA 60 Hz



Note! All units are in [in] unless others are stated.