

| Qty. | Description |
|------|-------------|
|------|-------------|

| | |
|---|--------------------------|
| 1 | NBSE 040-070/6.30 |
|---|--------------------------|



Note! Product picture may differ from actual product

Product No.: [92613460](#)

The pumps are non-self-priming, single-stage, centrifugal volute pumps with axial inlet port, radial outlet port and horizontal shaft.

The pump has a back pull-out design enabling removal of the motor, motor stool, cover and impeller without disturbing the pump housing or pipework.

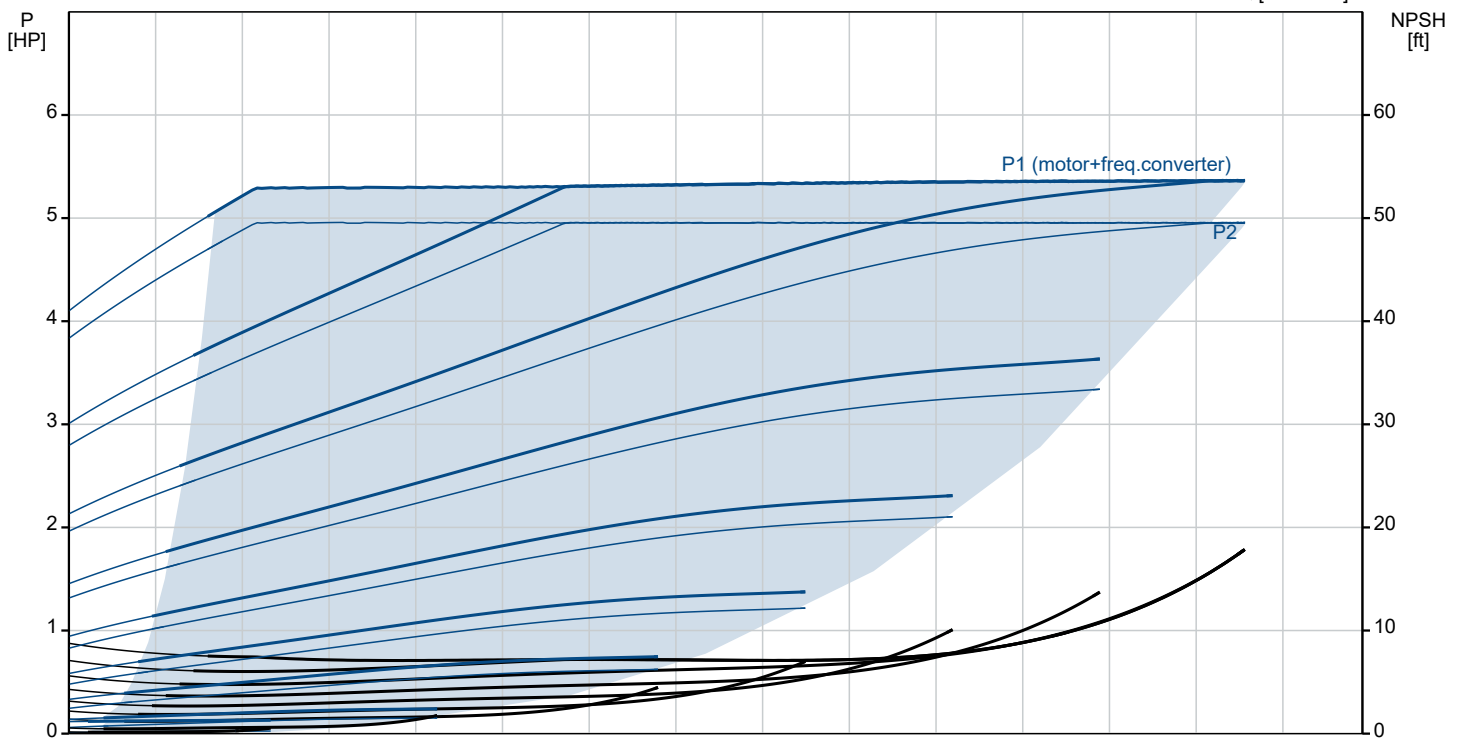
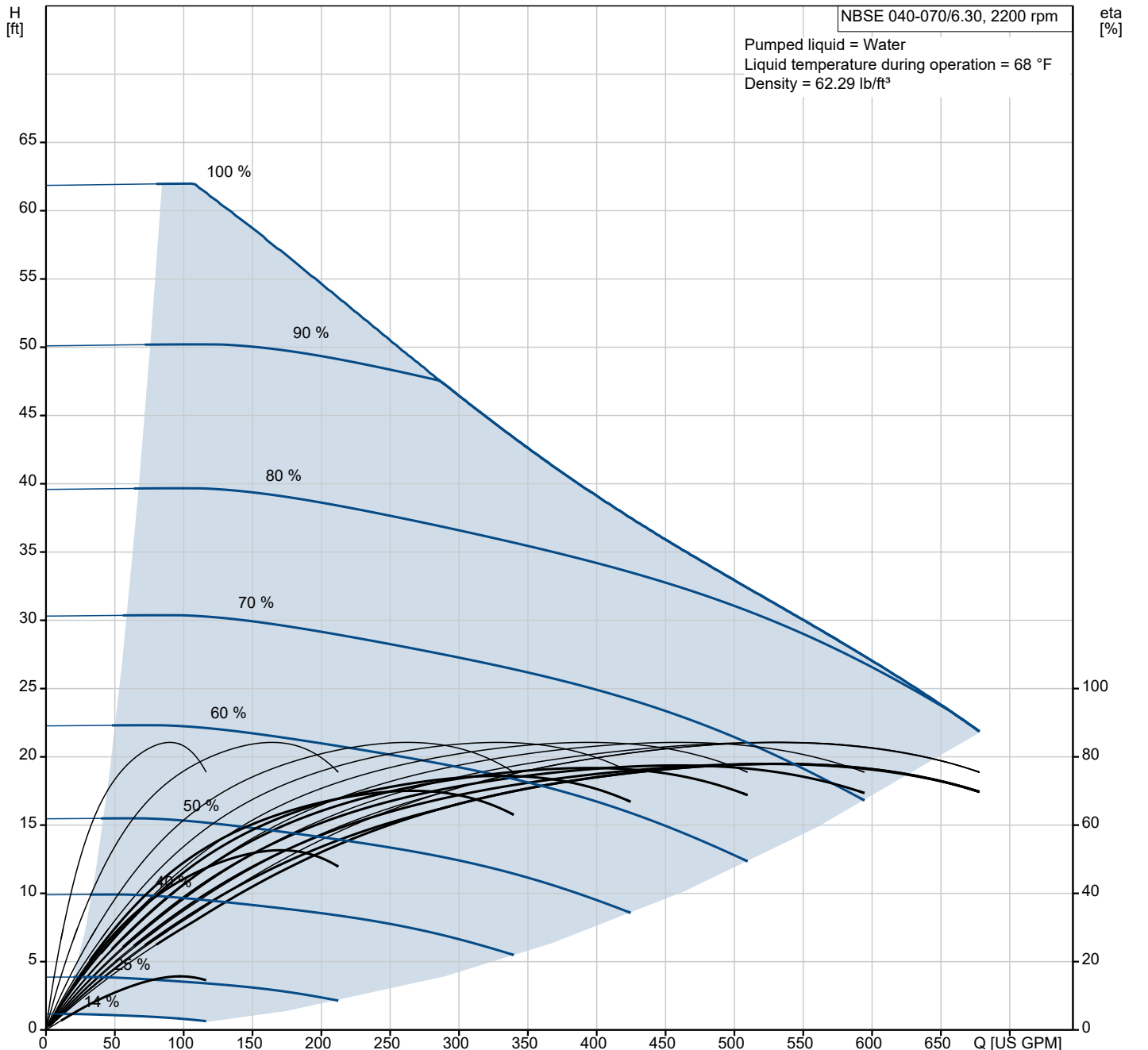
All pumps are according to ISO 5199 standards, adjusted for American dimensions on pump and its flanges.

Inlet and outlet flanges are according to ASME 16.1/16.42. Dimensions and rated performance are according to 175/363 PSI (12/25 bar).

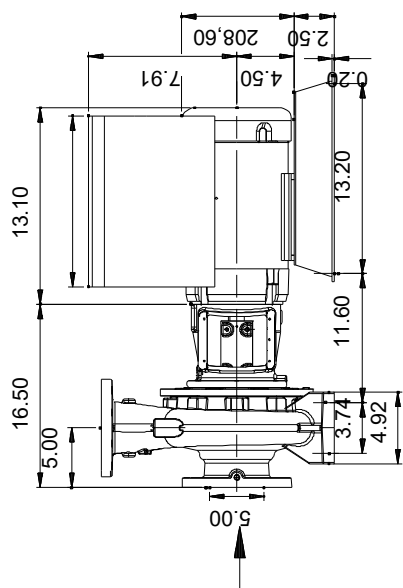
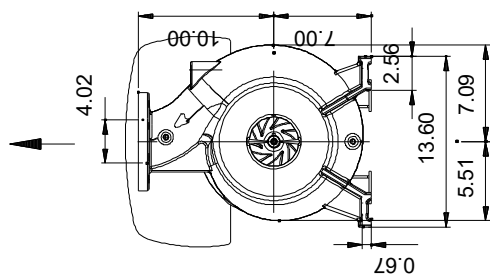
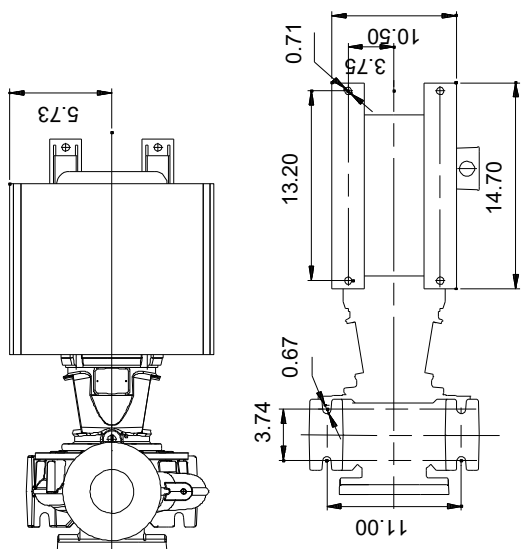
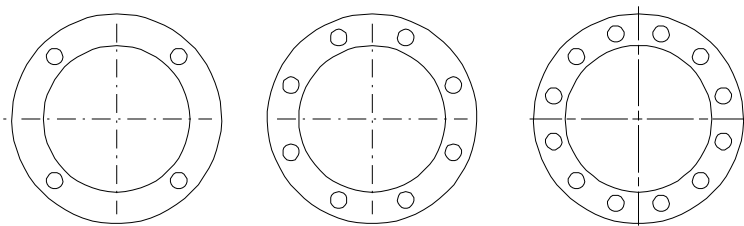
The mechanical shaft seal has dimensions according to EN 12756.

Motors are with main dimensions to NEMA standards. The pumps can be equipped with an MLE motor with integrated frequency converter or connected to a Grundfos CUE external frequency converter.

92613460 NBSE 040-070/6.30 ASASG6S2ESBQQEKCA 60 Hz

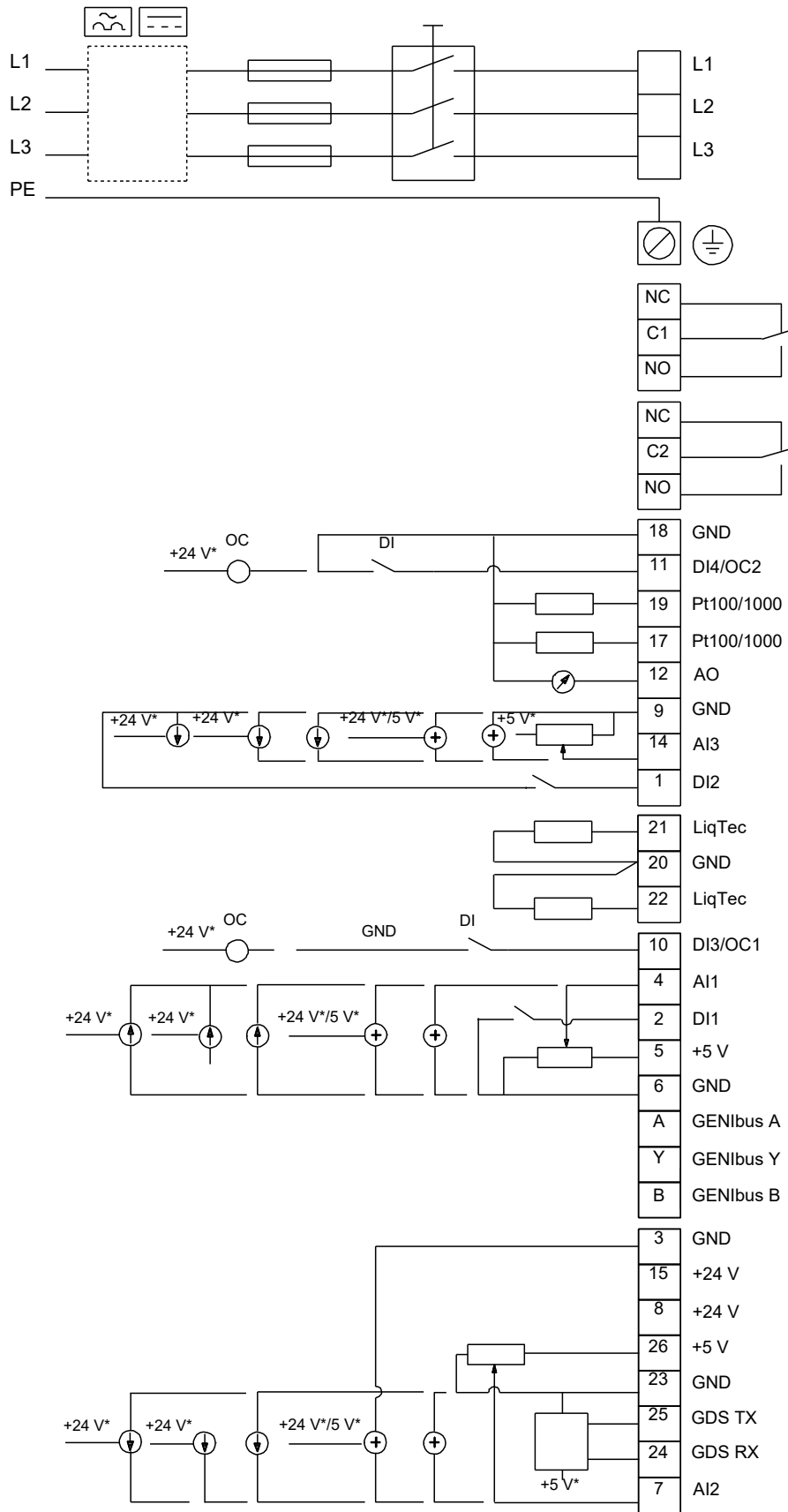


92613460 NBSE 040-070/6.30 ASASG6S2ESBQQEKCA 60 Hz



Note! All units are in [in] unless others are stated
 Disclaimer: This simplified dimensional drawing does not show all details.

92613460 NBSE 040-070/6.30 ASASG6S2ESBQQEKCA 60 Hz



Note! All units are in [in] unless others are stated.