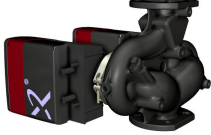


Count	Description
1	<p data-bbox="225 338 459 365">MAGNA3 D 65-150 F</p>  <p data-bbox="225 660 488 687">Product No.: 98126863</p> <p data-bbox="225 750 1437 824">The Grundfos MAGNA3 D circulator pump is the ideal choice for almost any building project – old or new. With its unrivalled energy efficiency, all-encompassing range and built-in communication capabilities, MAGNA3 D is ideal for engineers and specifiers looking to create high-performance heating and cooling systems.</p> <p data-bbox="225 837 1449 911">The pump is maintenance-free due to the canned-rotor type design. This also means that pump and motor form an integral unit without shaft seal and with only two gaskets for sealing. The bearings are lubricated by the pumped liquid.</p> <p data-bbox="225 925 1155 952">MAGNA3 D offers three multipump modes: Alternating, backup and cascade operation.</p> <p data-bbox="225 954 1326 981">In alternating and backup operation, only one pump operates at a time, both ensuring constant comfort.</p> <p data-bbox="225 983 1203 1010">In alternating operation, the change from one pump to the other depends on time or energy.</p> <p data-bbox="225 1012 852 1039">If a pump fails, the other pump will take over automatically.</p> <p data-bbox="225 1041 1123 1068">In backup operation, the backup pump is operated at intervals to prevent seizing up.</p> <p data-bbox="225 1070 1054 1097">If the duty pump stops due to a fault, the backup pump will start automatically.</p> <p data-bbox="225 1099 1374 1151">In cascade operation, the pumps automatically switch on and off, adapting to the current consumption in the system.</p> <p data-bbox="225 1162 660 1189">The two pumps communicate wirelessly.</p> <p data-bbox="225 1191 1433 1243">MAGNA3 D features an intuitive display and allows you to connect wirelessly with the Grundfos GO Remote app, giving you access to advanced reporting and monitoring.</p> <p data-bbox="225 1252 1442 1303">The pump includes fieldbus communication via CIM modules as well as analog and digital inputs and configurable relays.</p> <p data-bbox="225 1312 1401 1364">Control features include AUTOADAPT and FLOWADAPT. FLOWADAPT which reduces the need for throttling valves, thus cutting costs on system components.</p> <p data-bbox="225 1373 1259 1400">MAGNA3 D is the superior choice for a wide range of heating and cooling applications, including:</p> <ul data-bbox="225 1424 620 1570" style="list-style-type: none">• Mixing loops• Heating surfaces• Air conditioning surfaces• Ground-source heat pump systems• Smaller chiller applications. <p data-bbox="225 1603 1453 1655">MAGNA3 D is a single-phase pump and characterised by having the controller and display integrated in the control box. The pump also has a built-in differential-pressure and temperature sensor.</p> <p data-bbox="225 1664 1426 1738">The pump housing is available in both cast-iron and stainless-steel versions. The composite rotor can be carbon-fibre reinforced, the bearing plate and rotor cladding are made of stainless steel and the stator housing is made of aluminium. The power electronics are air-cooled.</p> <p data-bbox="225 1747 1390 1821">MAGNA3 incorporates a 4-pole synchronous, permanent-magnet motor (PM motor). This motor type is characterised by higher efficiency than a conventional asynchronous squirrel-cage motor. The pump speed is controlled by an integrated frequency converter.</p>



Company name:

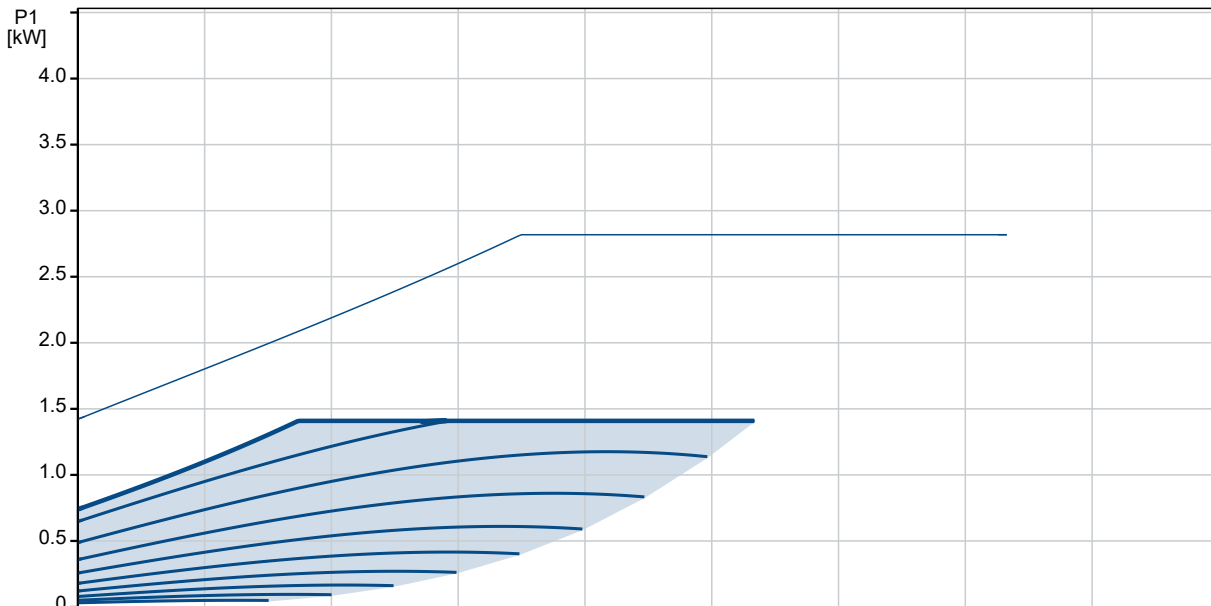
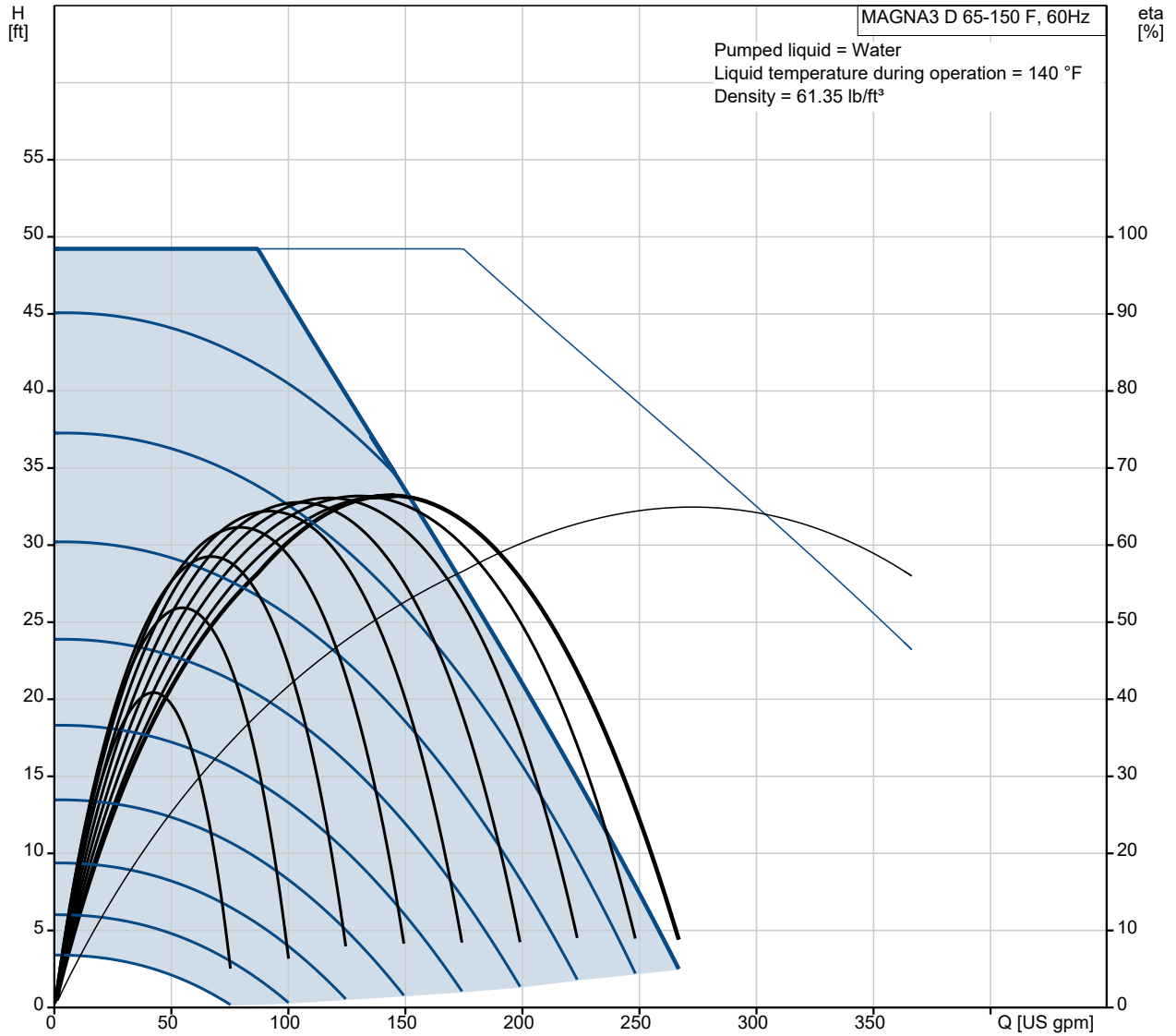
Created by:

Phone:

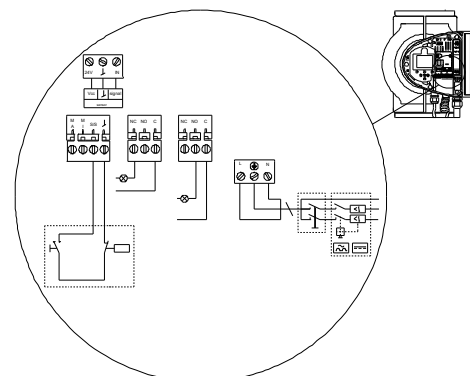
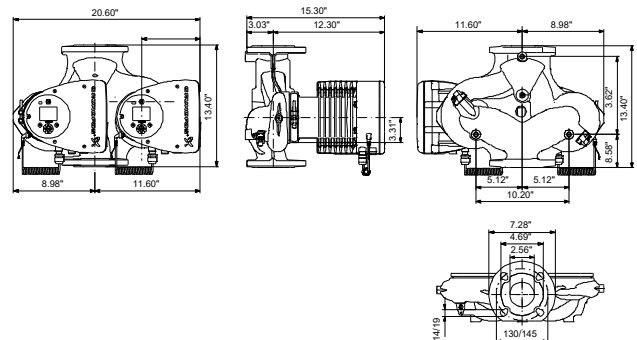
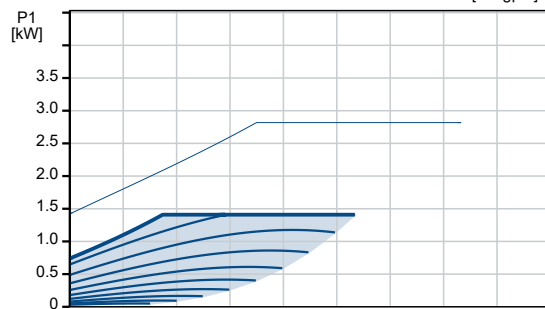
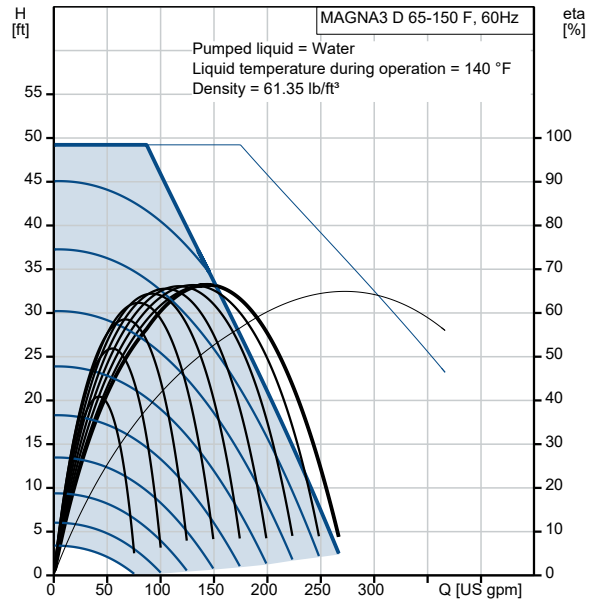
Date:

12/31/2021

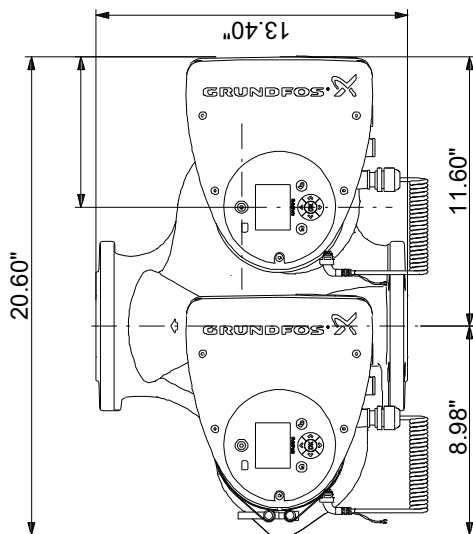
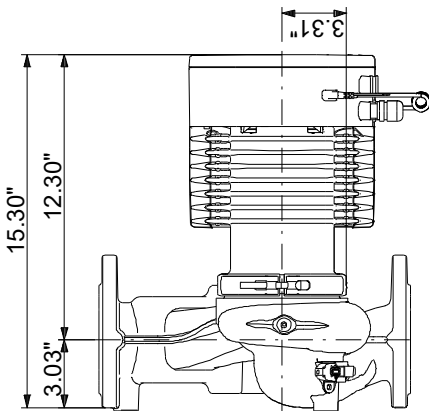
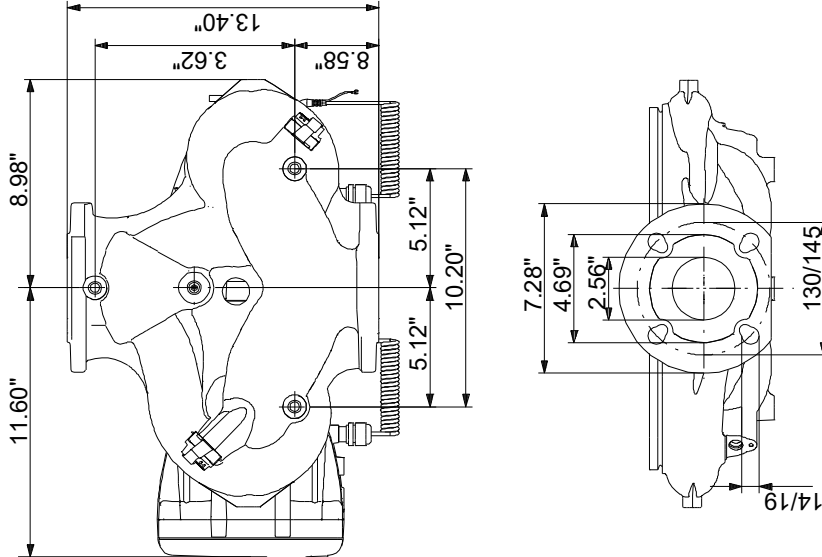
98126863 MAGNA3 D 65-150 F 60 Hz



Description	Value
General information:	
Product name:	MAGNA3 D 65-150 F
Product No.:	98126863
EAN:	5710629500250
Technical:	
Rated flow:	125 US gpm
Rated head:	33.14 ft
Head max:	49.22 ft
TF class:	110
Approvals on nameplate:	99910182
Model:	D
Materials:	
Pump housing:	Cast iron
Pump housing:	EN-GJL-250
Pump housing:	ASTM A48-250B
Impeller:	PES 30%GF
Installation:	
Range of ambient temperature:	32 .. 104 °F
Maximum operating pressure:	174.05 psi
Flange standard:	GF
Pressure stage:	PN12
Port-to-port length:	13 7/16 in
Liquid:	
Pumped liquid:	Water
Liquid temperature range:	14 .. 230 °F
Selected liquid temperature:	140 °F
Density:	61.35 lb/ft³
Electrical data:	
Power input - P1:	29 .. 1409 W
Main frequency:	60 Hz
Rated voltage:	1 x 208-230 V
Maximum current consumption:	0.3 .. 6.32 A
Enclosure class (IEC 34-5):	X4D
Insulation class (IEC 85):	F
Others:	
Energy (EEL):	0.17
Net weight:	101 lb
Gross weight:	118 lb
Shipping volume:	4.66 ft³
Country of origin:	DE
Custom tariff no.:	8413.70.2015

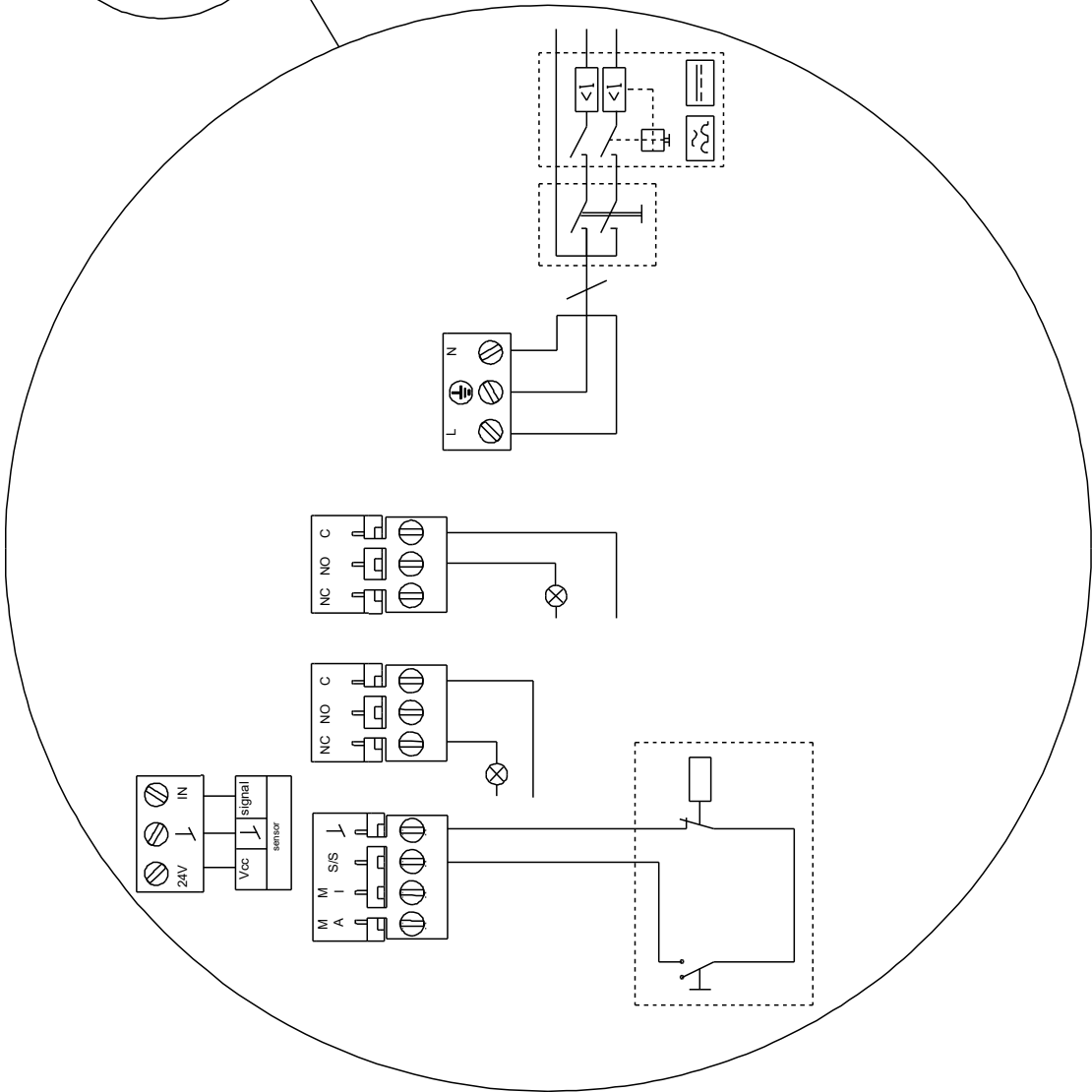
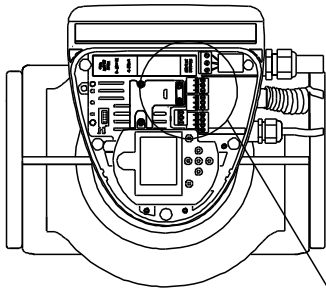


98126863 MAGNA3 D 65-150 F 60 Hz



Note! All units are in [in] unless otherwise stated.
 Disclaimer: This simplified dimensional drawing does not show all details.

98126863 MAGNA3 D 65-150 F 60 Hz



All units are [in] unless otherwise presented.