


Count	Description
1	<p data-bbox="225 338 563 365">CMBE TWIN 1-44 I-X-C-B-D-G</p>  <p data-bbox="619 600 1062 622">Product photo could vary from the actual product</p> <p data-bbox="225 629 488 656">Product No.: 99503861</p> <p data-bbox="225 689 1453 741">The Grundfos CMBE TWIN Booster is a compact two-booster system for water supply in domestic and commercial applications.</p> <p data-bbox="225 748 1374 775">The integrated speed controller allows the CMBE Booster to maintain constant pressure in the pipe system.</p> <p data-bbox="225 781 1398 831">A pressure sensor monitoring changes in the water consumption will signal the speed controller to change the motor speed.</p> <p data-bbox="225 837 1275 864">This way performance is adjusted according to the new state, thus running in cascade multi pump.</p> <p data-bbox="225 871 1437 920">The cascade control ensures that the performance of the CMBE Booster is automatically adapted to consumption by switching pumps on or off and by changing the speed of the pumps in operation.</p> <p data-bbox="225 927 1153 954">The system thus runs as energy-efficiently as possible with a limited number of pumps.</p> <p data-bbox="225 960 740 987">The CMBE-TWIN Booster is very easy to install.</p> <p data-bbox="225 994 432 1021">It has UL approval.</p> <p data-bbox="225 1050 544 1077">The CME Booster consists of</p> <p data-bbox="225 1084 703 1111">2 units of CMBE Booster which each include</p> <ul data-bbox="225 1117 767 1223" style="list-style-type: none"> • 5-way valve expansion tank pressure gauge Pressure sensor <p data-bbox="225 1285 323 1312">Features</p> <ul data-bbox="225 1319 927 1547" style="list-style-type: none"> • Cascade multi pump operation Automatic pump alternation Constant pressure control Pipe filling Compact design Robust, stainless steel Easy installation (Plug & Pump) Dry run protection <p data-bbox="225 1576 355 1603">Applications</p> <ul data-bbox="225 1610 802 1756" style="list-style-type: none"> • Apartment buildings Schools Small hotels Office buildings Agriculture <p data-bbox="225 1785 1461 1836">Thermal protection CME Booster pumps require no external motor protection. The MGE motor incorporates thermal protection against slow overloading and blocking (IEC 34.11: TP211).</p> <p data-bbox="225 1874 268 1901">NB:</p> <p data-bbox="225 1908 1390 1935">Suction lift: Max. 1 m, including suction-pipepressure loss at a liquid temperature of +20 °C. (not self-priming)</p> <p data-bbox="225 1995 300 2022">Liquid:</p> <p data-bbox="225 2029 655 2056">Pumped liquid: Water</p> <p data-bbox="225 2063 715 2089">Liquid temperature range: 32 .. 140 °F</p> <p data-bbox="225 2096 647 2123">Selected liquid temperature: 68 °F</p>



Company name:

Created by:

Phone:

Date:

12/27/2021

Count	Description
	Density: 62.29 lb/ft ³
	Technical:
	Pump speed on which pump data is based: 3780 rpm
	Primary shaft seal: AQQE
	Approvals and markings: CULUS
	Curve tolerance: ISO9906:2012 3B
	Start pressure: Integrated Frequency converter
	Main pump type: CMBE 1-44
	Main pump product number: 99496282
	Materials:
	Pump housing: Stainless steel EN 1.4301 AISI 304
	Impeller: Stainless steel DIN W.-Nr. 1.4301 AISI 304
	Rubber: EPDM
	Installation:
	t max amb: 104 °F
	Flange standard: INTERNAL NPT THREAD
	Pump inlet: NPT 1 1/2
	Pump outlet: NPT 1 1/2
	Electrical data:
	Rated power - P2: 1 HP
	Main frequency: 60 Hz
	Rated voltage: 1 x 115 V
	Insulation class (IEC 85): F
	Type of cable plug: FUSE
	Mains cable: 4.92 ft
	Tank:
	Tank volume: 1.057 gal
	Others:
	Net weight: 120 lb
	Gross weight: 228 lb
	Country of origin: US
	Custom tariff no.: 8413.70.2040



Company name:

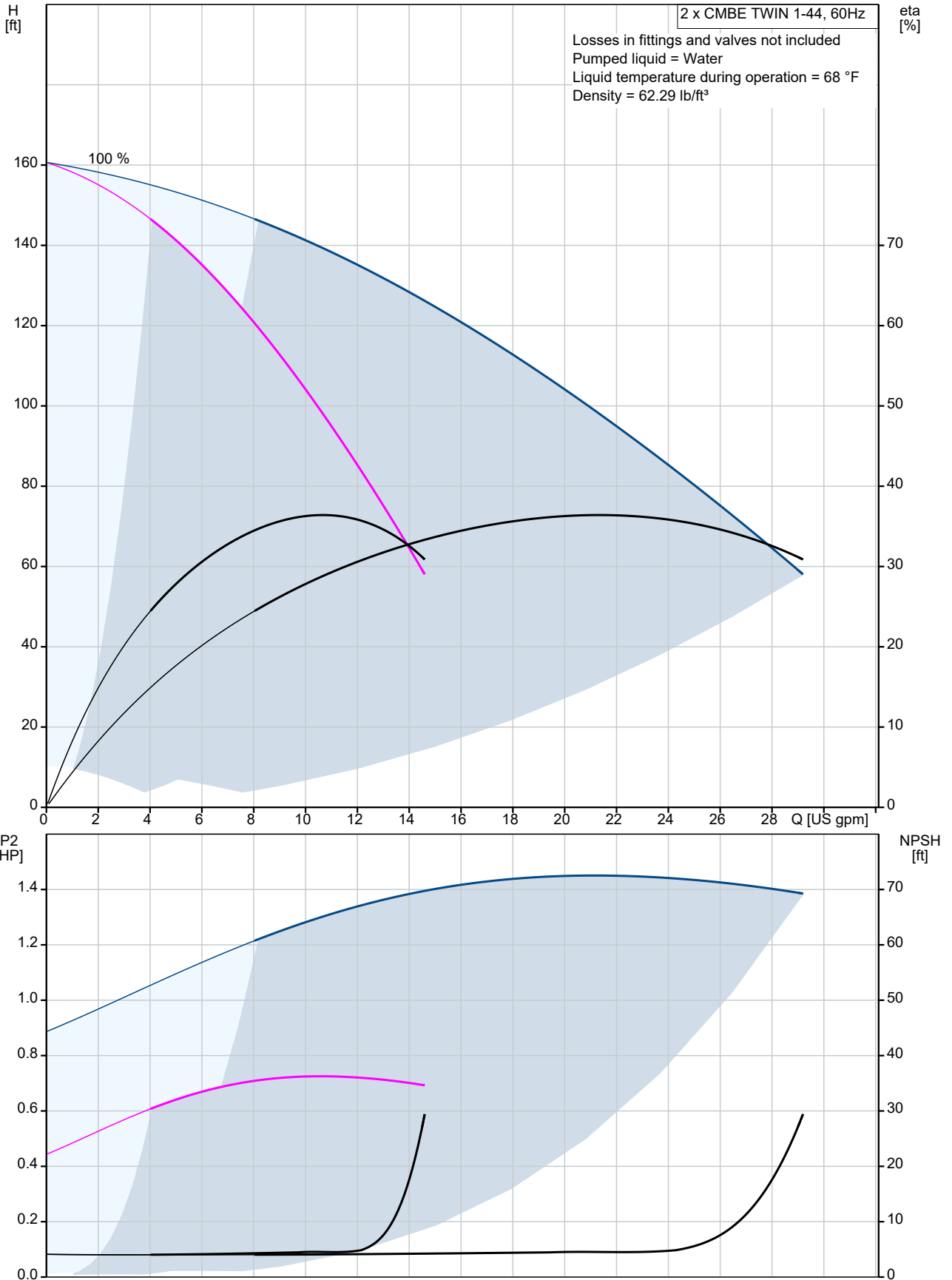
Created by:

Phone:

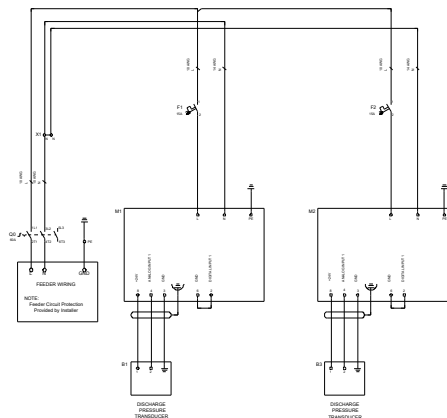
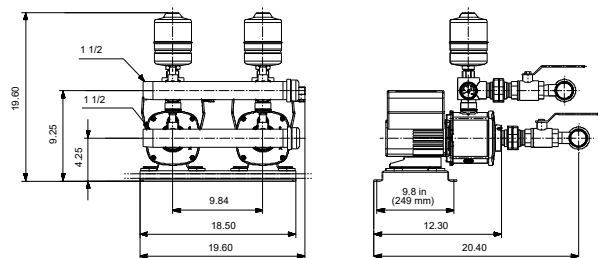
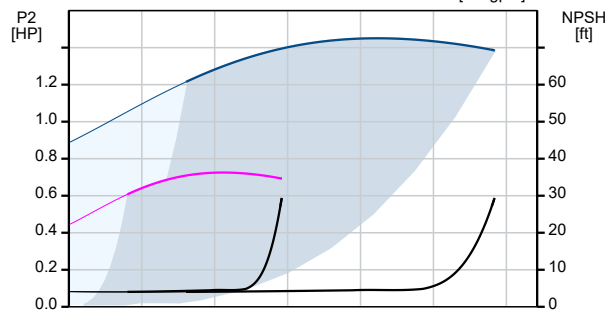
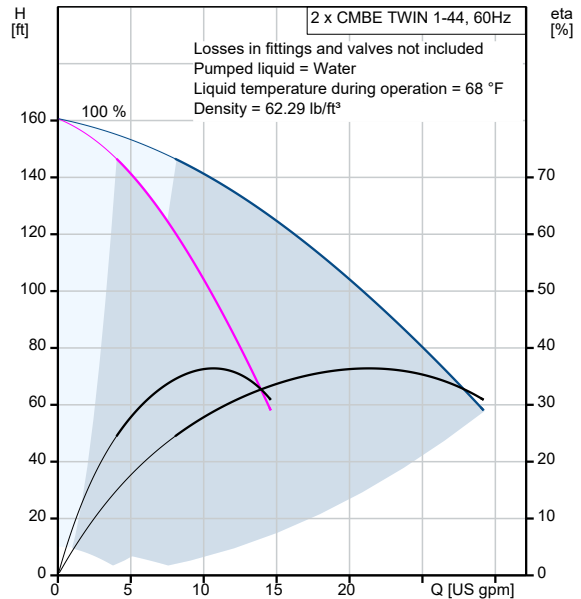
Date:

12/27/2021

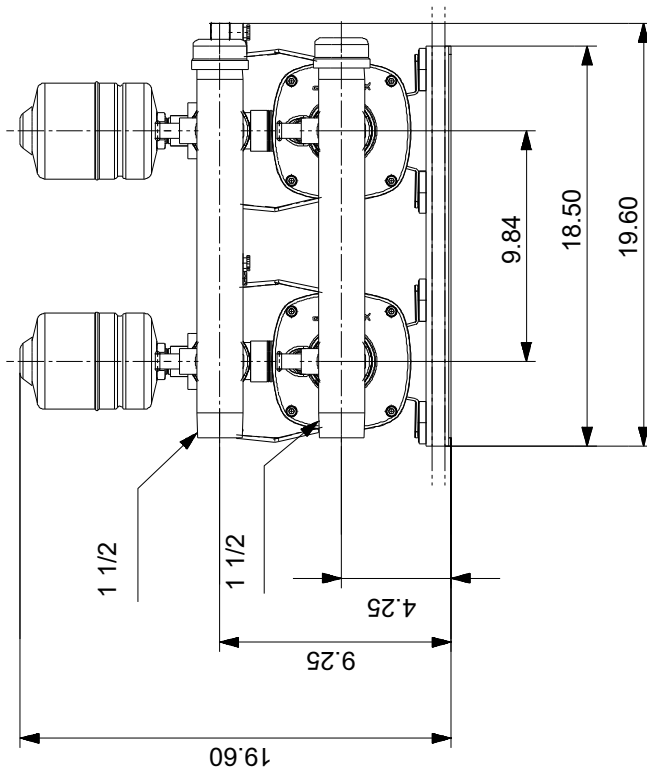
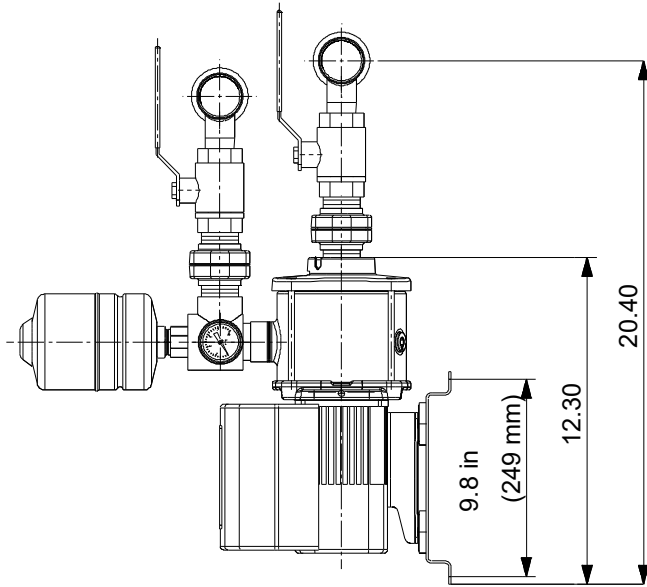
99503861 CMBE TWIN 1-44 I-X-C-B-D-G 60 Hz



Description	Value
General information:	
Product name:	CMBE TWIN 1-44 I-X-C-B-D-G
Product No.:	99503861
EAN:	5713830163696
Technical:	
Pump speed on which pump data is based:	3780 rpm
Impellers:	3
Primary shaft seal:	AQQE
Approvals and markings:	CULUS
Curve tolerance:	ISO9906:2012 3B
Number of pumps:	2
Model:	A
Start pressure:	Integrated Frequency converter
Main pump type:	CMBE 1-44
Main pump product number:	99496282
Materials:	
Pump housing:	Stainless steel
Pump housing:	EN 1.4301
Pump housing:	AISI 304
Impeller:	Stainless steel
Impeller:	DIN W.-Nr. 1.4301
Impeller:	AISI 304
Rubber:	EPDM
Installation:	
t max amb:	104 °F
Flange standard:	INTERNAL NPT THREAD
Pump inlet:	NPT 1 1/2
Pump outlet:	NPT 1 1/2
Liquid:	
Pumped liquid:	Water
Liquid temperature range:	32 .. 140 °F
Selected liquid temperature:	68 °F
Density:	62.29 lb/ft ³
Electrical data:	
Rated power - P2:	1 HP
Main frequency:	60 Hz
Rated voltage:	1 x 115 V
p max system:	145.04 psi
Insulation class (IEC 85):	F
Type of cable plug:	FUSE
Mains cable:	4.92 ft
Tank:	
Tank volume:	1.057 gal
Others:	
Net weight:	120 lb
Gross weight:	228 lb
Sales region:	Namreg
Config. file no:	99442906
Country of origin:	US
Custom tariff no.:	8413.70.2040

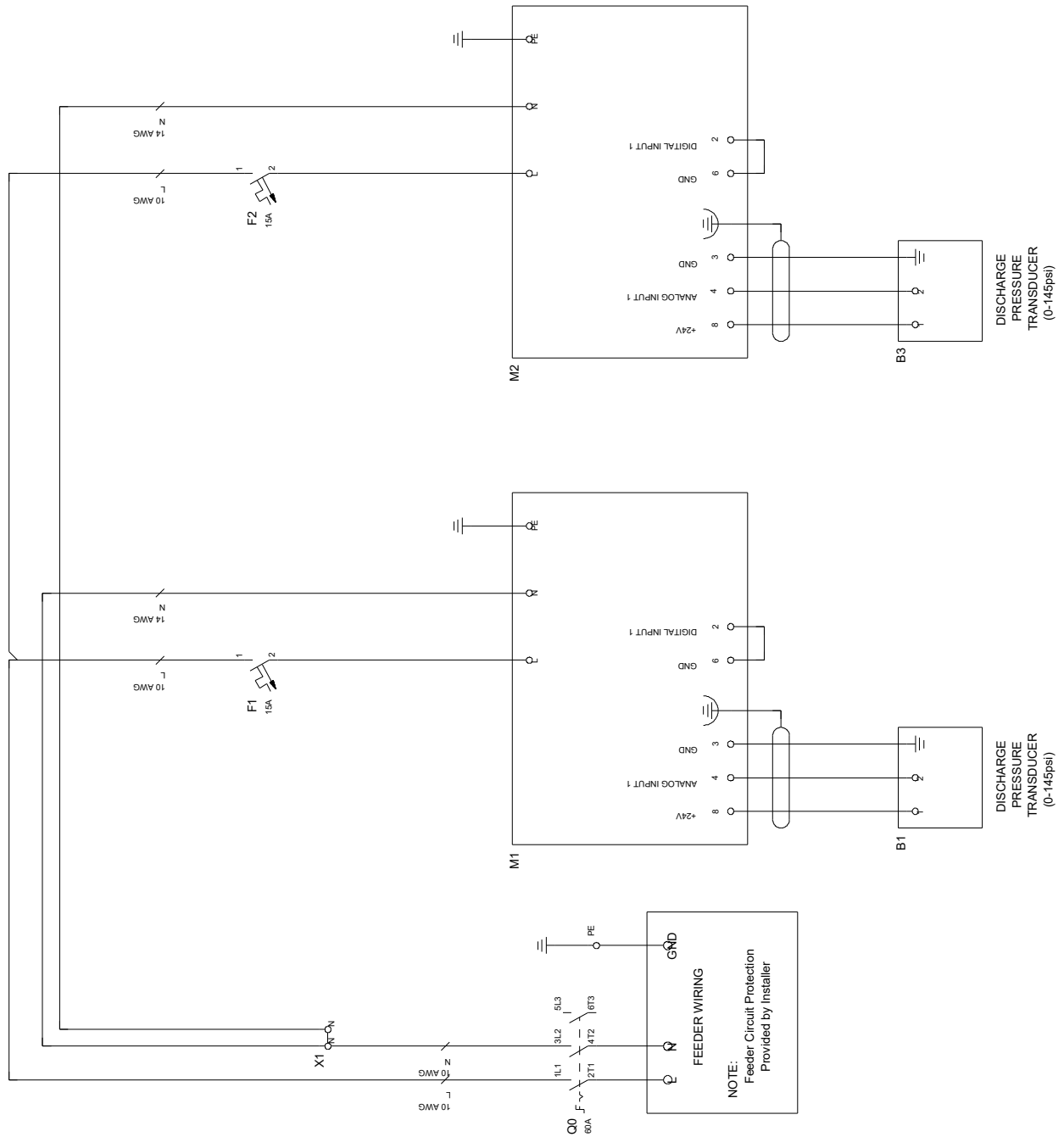


99503861 CMBE TWIN 1-44 I-X-C-B-D-G 60 Hz



Note! All units are in [in] unless otherwise stated.
Disclaimer: This simplified dimensional drawing does not show all details.

99503861 CMBE TWIN 1-44 I-X-C-B-D-G 60 Hz



All units are [in] unless otherwise presented.