


Count	Description																								
1	<p data-bbox="225 338 491 365">CMBE 1-75 I-X-C-B-D-E</p> <div data-bbox="331 409 491 613" style="text-align: center;">  </div> <p data-bbox="225 660 491 687">Product No.: 98810921</p> <p data-bbox="225 719 823 922">The Grundfos CME Booster is a compact booster system for water supply in domestic applications. The integrated speed controller enables the CME Booster to keep constant pressure in the pipe system. A pressure sensor monitoring changes in the water consumption will signal to the speed controller to change the motor speed to adapt performance to the new state.</p> <p data-bbox="225 927 871 1012">The CME Booster is very easy to install. When the pipework has been installed, it is all a matter of plugging the unit into a socket, and the system is operational.</p> <p data-bbox="225 1016 547 1043">The CME Booster consists of:</p> <ul data-bbox="225 1048 748 1189" style="list-style-type: none"> • CME pump with integrated frequency converter • 5-way valve • expansion tank • pressure gauge • manometer <p data-bbox="225 1225 323 1252">Features</p> <ul data-bbox="225 1256 713 1397" style="list-style-type: none"> • Constant pressure, integrated speed control • compact • robust, stainless steel • easy installation • dry run protection <p data-bbox="225 1433 430 1460">Thermal protection</p> <p data-bbox="225 1464 847 1491">CME Booster pumps require no external motor protection.</p> <p data-bbox="225 1496 801 1581">The MGE motor incorporates thermal protection against slow overloading and blocking (IEC 34.11: TP 211).</p> <p data-bbox="225 1639 300 1666">Liquid:</p> <table data-bbox="225 1671 716 1787" style="width: 100%;"> <tr> <td>Pumped liquid:</td> <td>Water</td> </tr> <tr> <td>Liquid temperature range:</td> <td>32 .. 140 °F</td> </tr> <tr> <td>Selected liquid temperature:</td> <td>68 °F</td> </tr> <tr> <td>Density:</td> <td>62.29 lb/ft³</td> </tr> </table> <p data-bbox="225 1818 336 1845">Technical:</p> <table data-bbox="225 1850 930 2085" style="width: 100%;"> <tr> <td>Pump speed on which pump data is based:</td> <td>3780 rpm</td> </tr> <tr> <td>Rated flow:</td> <td>10.6 US gpm</td> </tr> <tr> <td>Rated head:</td> <td>140.8 ft</td> </tr> <tr> <td>Primary shaft seal:</td> <td>AQQE</td> </tr> <tr> <td>Approvals and markings:</td> <td>CE,CULUS</td> </tr> <tr> <td>Curve tolerance:</td> <td>ISO9906:2012 3B</td> </tr> <tr> <td>Return valve:</td> <td>YES</td> </tr> <tr> <td>Start pressure:</td> <td>Integrated Frequency converter</td> </tr> </table>	Pumped liquid:	Water	Liquid temperature range:	32 .. 140 °F	Selected liquid temperature:	68 °F	Density:	62.29 lb/ft³	Pump speed on which pump data is based:	3780 rpm	Rated flow:	10.6 US gpm	Rated head:	140.8 ft	Primary shaft seal:	AQQE	Approvals and markings:	CE,CULUS	Curve tolerance:	ISO9906:2012 3B	Return valve:	YES	Start pressure:	Integrated Frequency converter
Pumped liquid:	Water																								
Liquid temperature range:	32 .. 140 °F																								
Selected liquid temperature:	68 °F																								
Density:	62.29 lb/ft³																								
Pump speed on which pump data is based:	3780 rpm																								
Rated flow:	10.6 US gpm																								
Rated head:	140.8 ft																								
Primary shaft seal:	AQQE																								
Approvals and markings:	CE,CULUS																								
Curve tolerance:	ISO9906:2012 3B																								
Return valve:	YES																								
Start pressure:	Integrated Frequency converter																								



Company name:

Created by:

Phone:

Date:

12/27/2021

Count	Description
	Materials:
	Pump housing: Stainless steel DIN W.-Nr. 1.4301 AISI 304
	Impeller: Stainless steel DIN W.-Nr. 1.4301 AISI 304
	Rubber: EPDM
	Installation:
	t max amb: 113 °F
	Flange standard: INTERNAL NPT THREAD
	Pump inlet: NPT 1
	Pump outlet: NPT 1
	Electrical data:
	Rated power - P2: 1.01 HP
	Main frequency: 50 / 60 Hz
	Rated voltage: 1 x 115 V
	Maximum current consumption: 8 A
	Rated speed: 360-4000 rpm
	Enclosure class (IEC 34-5): IP55
	Insulation class (IEC 85): F
	Type of cable plug: US 5-15
	Mains cable: 4.92 ft
	Tank:
	Tank volume: 0.528 gal
	Others:
	Net weight: 42.2 lb
	Gross weight: 63.3 lb
	Country of origin: US
	Custom tariff no.: 8413.70.2040



Company name:

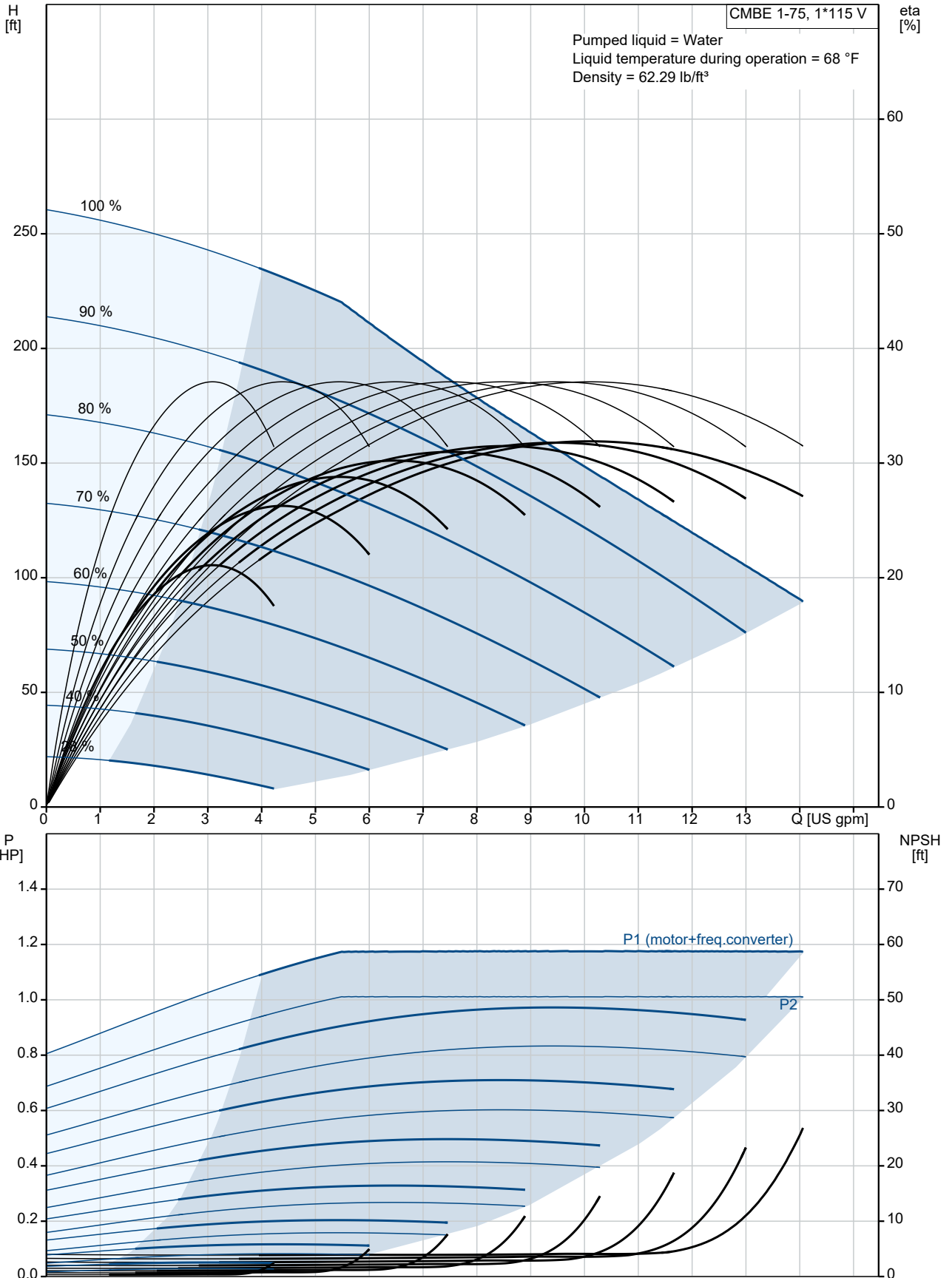
Created by:

Phone:

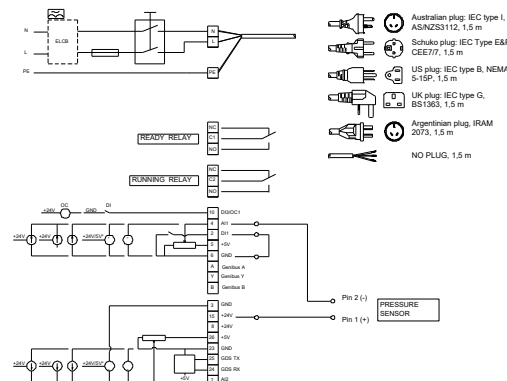
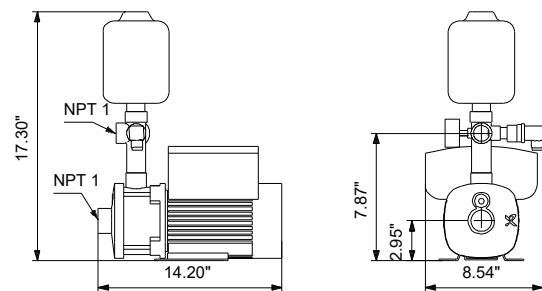
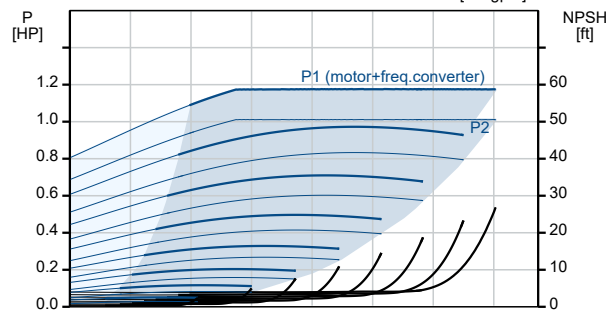
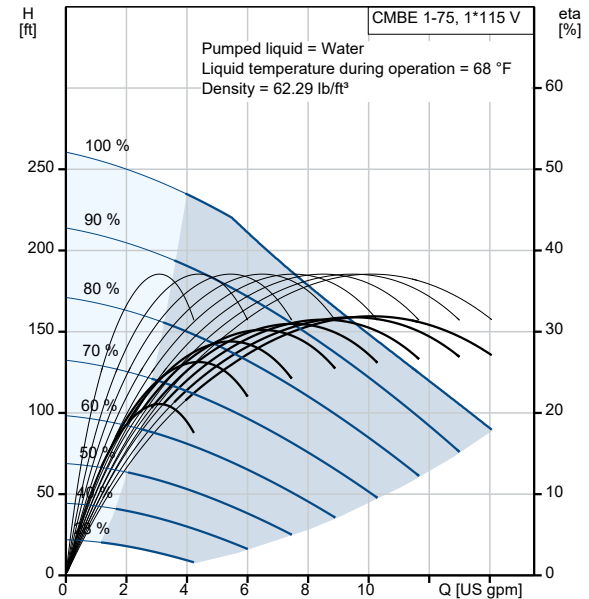
Date:

12/27/2021

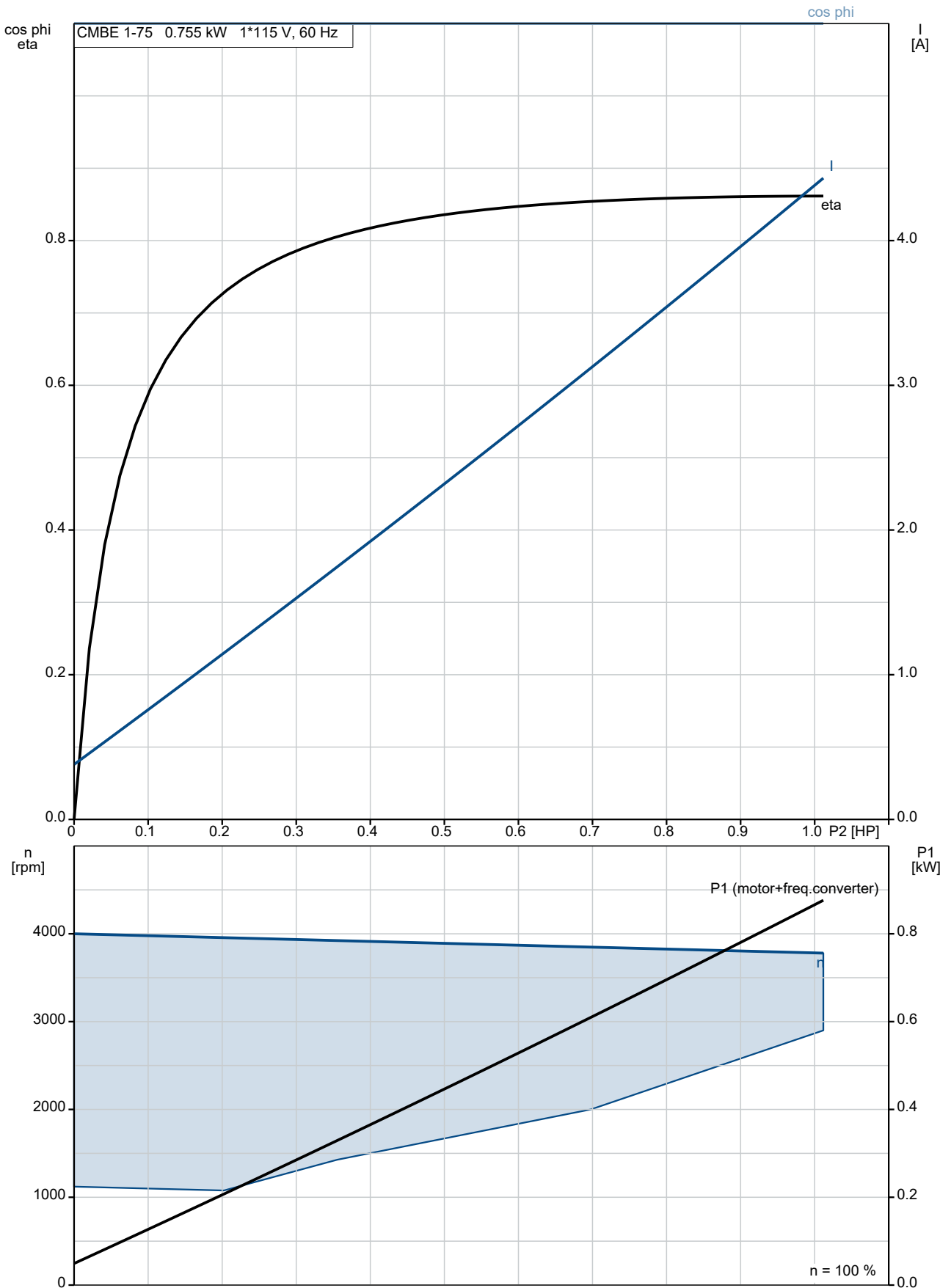
98810921 CMBE 1-75 I-X-C-B-D-E



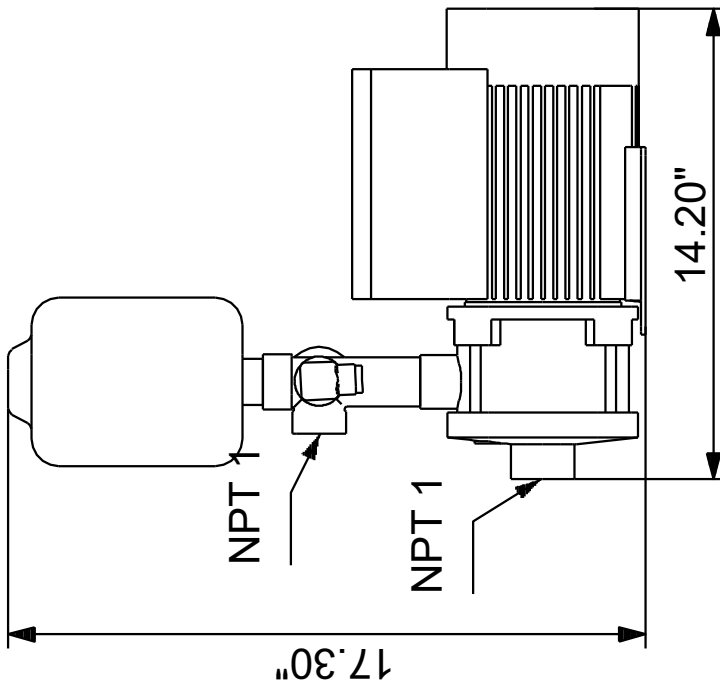
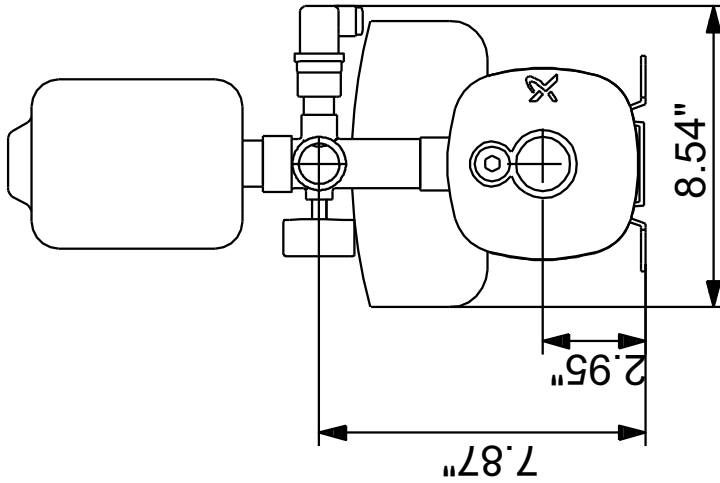
Description	Value
General information:	
Product name:	CMBE 1-75 I-X-C-B-D-E
Product No.:	98810921
EAN:	5712601689793
Technical:	
Pump speed on which pump data is based:	3780 rpm
Rated flow:	10.6 US gpm
Rated head:	140.8 ft
Impellers:	5
Primary shaft seal:	AQQE
Approvals and markings:	CE,CULUS
Curve tolerance:	ISO9906:2012 3B
Model:	A
Return valve:	YES
Start pressure:	Integrated Frequency converter
Materials:	
Pump housing:	Stainless steel
Pump housing:	DIN W.-Nr. 1.4301
Pump housing:	AISI 304
Impeller:	Stainless steel
Impeller:	DIN W.-Nr. 1.4301
Impeller:	AISI 304
Rubber:	EPDM
Installation:	
t max amb:	113 °F
Flange standard:	INTERNAL NPT THREAD
Pump inlet:	NPT 1
Pump outlet:	NPT 1
Liquid:	
Pumped liquid:	Water
Liquid temperature range:	32 .. 140 °F
Selected liquid temperature:	68 °F
Density:	62.29 lb/ft³
Electrical data:	
Rated power - P2:	1.01 HP
Main frequency:	50 / 60 Hz
Rated voltage:	1 x 115 V
Maximum current consumption:	8 A
p max system:	145.04 psi
Rated speed:	360-4000 rpm
Enclosure class (IEC 34-5):	IP55
Insulation class (IEC 85):	F
Type of cable plug:	US 5-15
Mains cable:	4.92 ft
Tank:	
Tank volume:	0.528 gal
Others:	
Net weight:	42.2 lb
Gross weight:	63.3 lb
Config. file no:	98845992
Country of origin:	US
Custom tariff no.:	8413.70.2040



98810921 CMBE 1-75 I-X-C-B-D-E

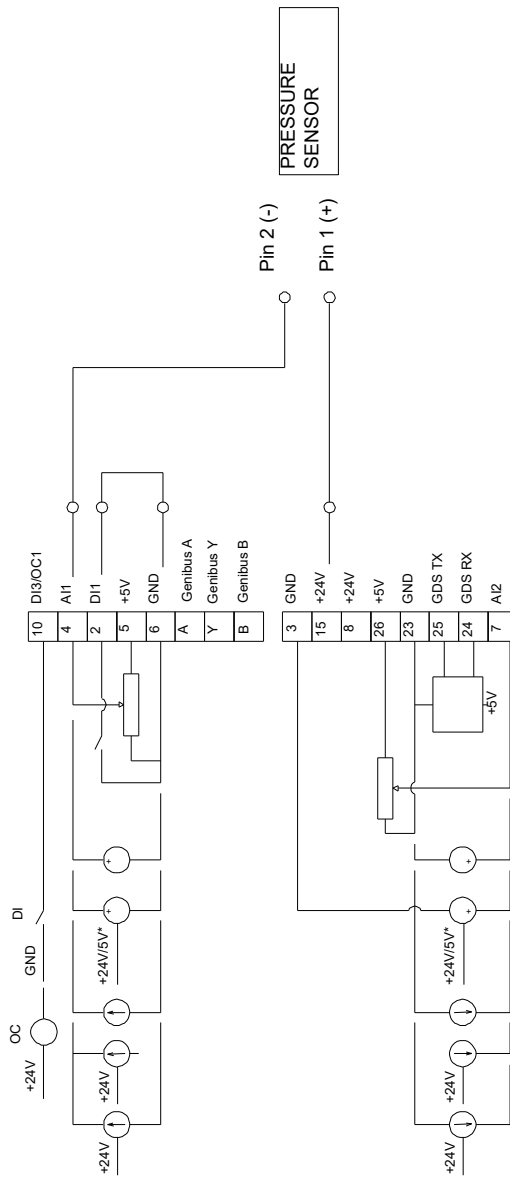
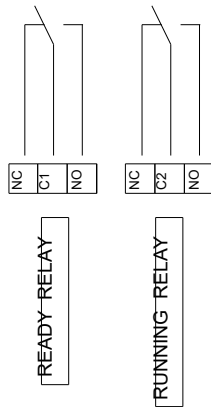
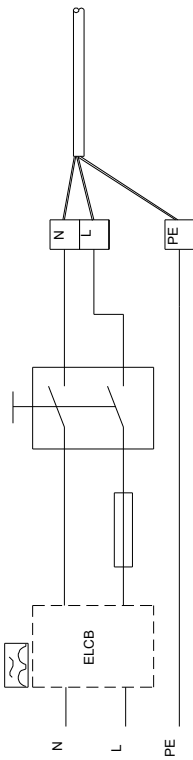
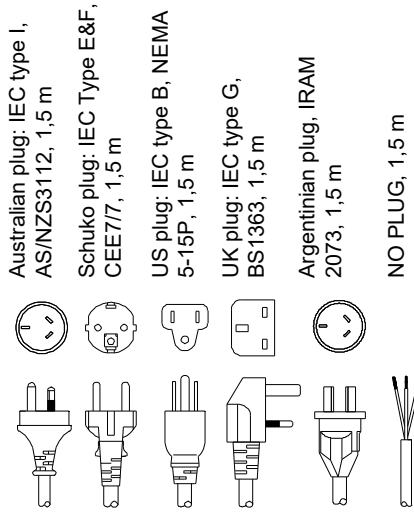


98810921 CMBE 1-75 I-X-C-B-D-E



Note! All units are in [in] unless otherwise stated.
Disclaimer: This simplified dimensional drawing does not show all details.

98810921 CMBE 1-75 I-X-C-B-D-E



All units are [in] unless otherwise presented.