

Count	Description
1	<p data-bbox="225 338 491 365">CMBE 1-44 I-X-C-B-D-E</p> <div data-bbox="331 405 485 618" data-label="Image"> </div> <p data-bbox="225 658 488 685">Product No.: 98810910</p> <p data-bbox="225 719 823 922">The Grundfos CME Booster is a compact booster system for water supply in domestic applications. The integrated speed controller enables the CME Booster to keep constant pressure in the pipe system. A pressure sensor monitoring changes in the water consumption will signal to the speed controller to change the motor speed to adapt performance to the new state.</p> <p data-bbox="225 927 868 1012">The CME Booster is very easy to install. When the pipework has been installed, it is all a matter of plugging the unit into a socket, and the system is operational.</p> <p data-bbox="225 1016 544 1043">The CME Booster consists of:</p> <ul data-bbox="225 1048 746 1189" style="list-style-type: none"> • CME pump with integrated frequency converter • 5-way valve • expansion tank • pressure gauge • manometer <p data-bbox="225 1225 323 1252">Features</p> <ul data-bbox="225 1256 711 1397" style="list-style-type: none"> • Constant pressure, integrated speed control • compact • robust, stainless steel • easy installation • dry run protection <p data-bbox="225 1433 429 1460">Thermal protection</p> <p data-bbox="225 1464 844 1491">CME Booster pumps require no external motor protection.</p> <p data-bbox="225 1496 799 1581">The MGE motor incorporates thermal protection against slow overloading and blocking (IEC 34.11: TP 211).</p> <p data-bbox="225 1639 300 1666">Liquid:</p> <p data-bbox="225 1671 715 1787"> Pumped liquid: Water Liquid temperature range: 32 .. 140 °F Selected liquid temperature: 68 °F Density: 62.29 lb/ft³ </p> <p data-bbox="225 1823 336 1850">Technical:</p> <p data-bbox="225 1854 927 2085"> Pump speed on which pump data is based: 3780 rpm Rated flow: 10.6 US gpm Rated head: 97.77 ft Primary shaft seal: AQQE Approvals and markings: CE,CULUS Curve tolerance: ISO9906:2012 3B Return valve: YES Start pressure: Integrated Frequency converter </p>



Company name:

Created by:

Phone:

Date:

12/27/2021

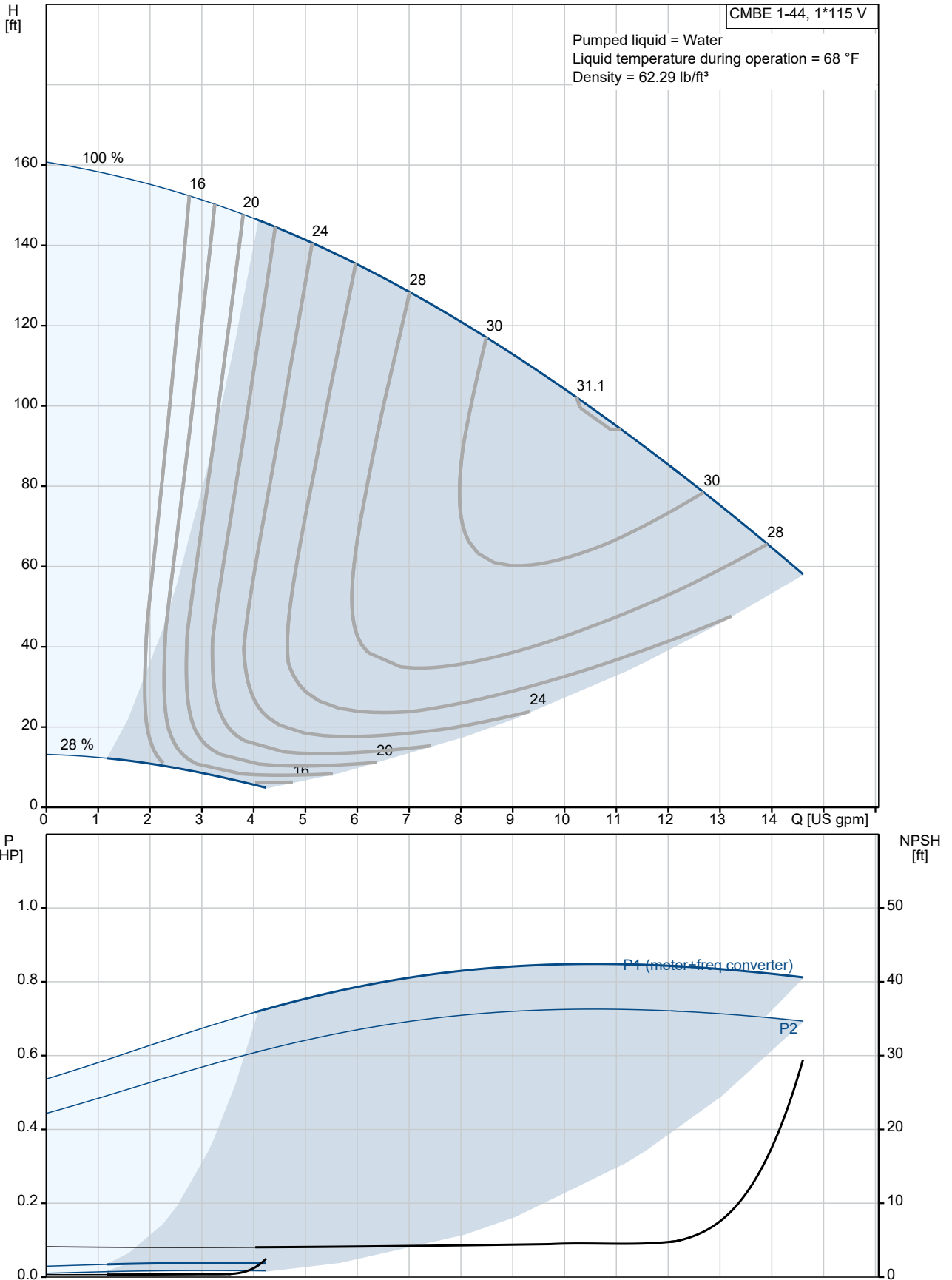
Count	Description
	Materials:
	Pump housing: Stainless steel DIN W.-Nr. 1.4301 AISI 304
	Impeller: Stainless steel DIN W.-Nr. 1.4301 AISI 304
	Rubber: EPDM
	Installation:
	t max amb: 131 °F
	Flange standard: INTERNAL NPT THREAD
	Pump inlet: NPT 1
	Pump outlet: NPT 1
	Electrical data:
	Rated power - P2: 1.01 HP
	Main frequency: 50 / 60 Hz
	Rated voltage: 1 x 115 V
	Maximum current consumption: 8 A
	Rated speed: 360-4000 rpm
	Enclosure class (IEC 34-5): IP55
	Insulation class (IEC 85): F
	Type of cable plug: US 5-15
	Mains cable: 4.92 ft
	Tank:
	Tank volume: 0.528 gal
	Others:
	Net weight: 40.8 lb
	Gross weight: 61.9 lb
	Country of origin: US
	Custom tariff no.: 8413.70.2040



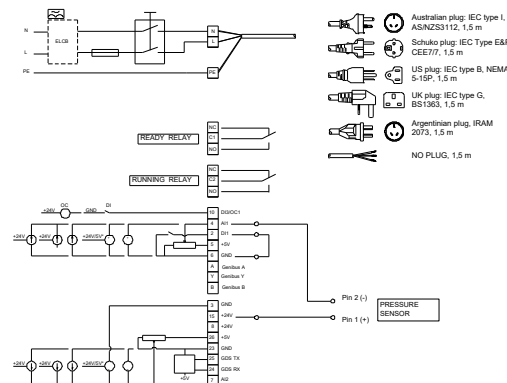
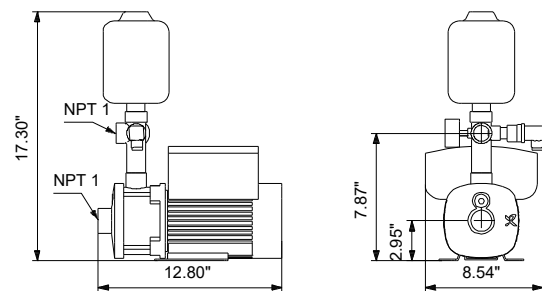
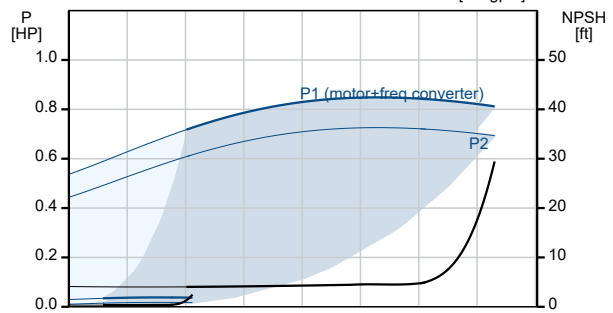
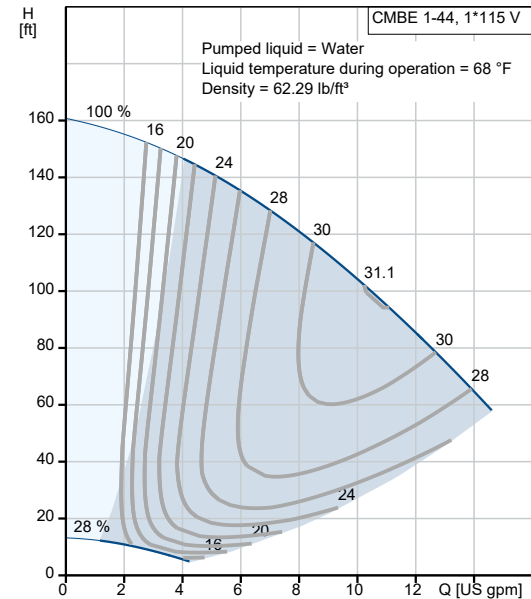
Company name:
Created by:
Phone:

Date: 12/27/2021

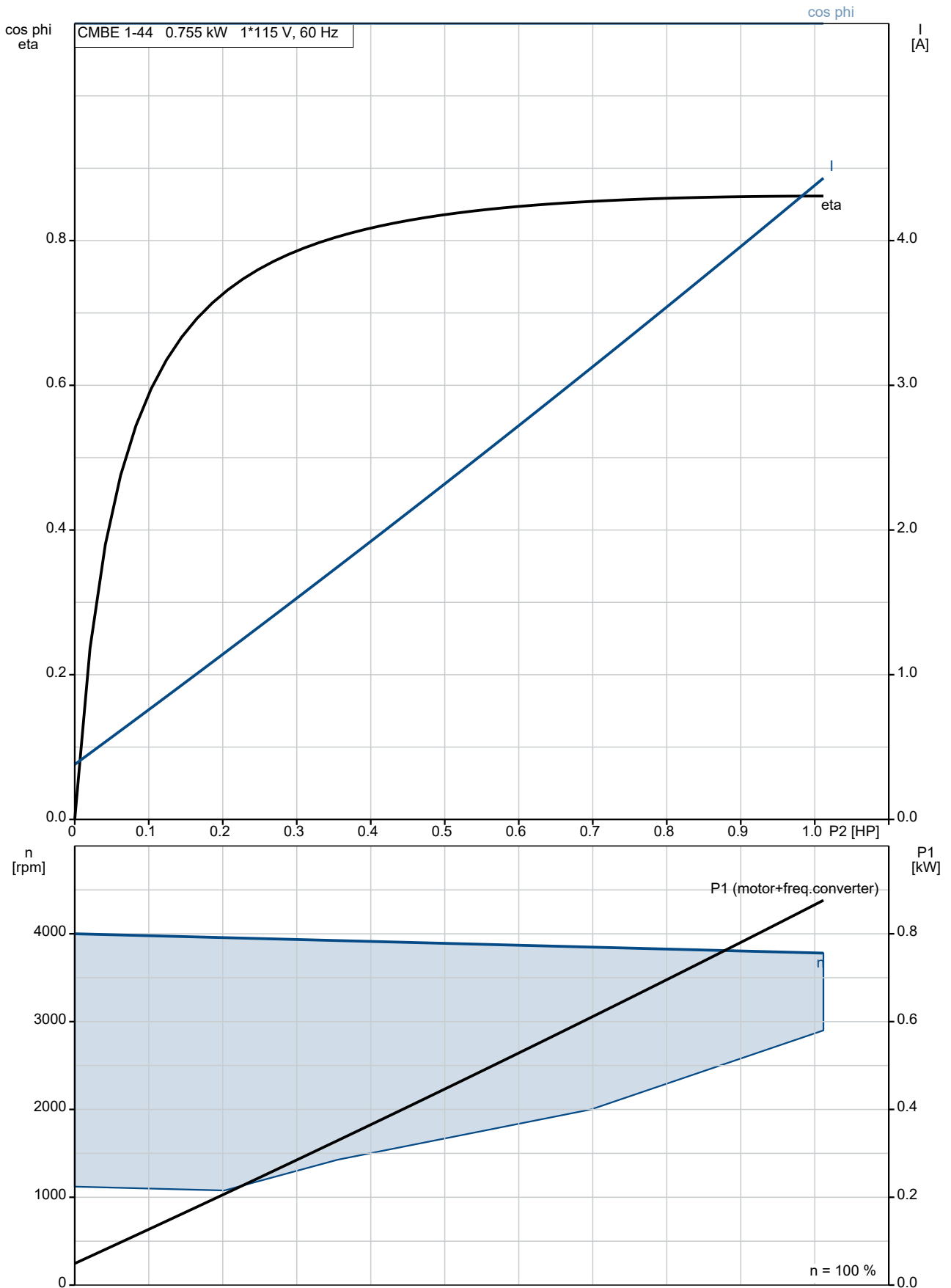
98810910 CMBE 1-44 I-X-C-B-D-E



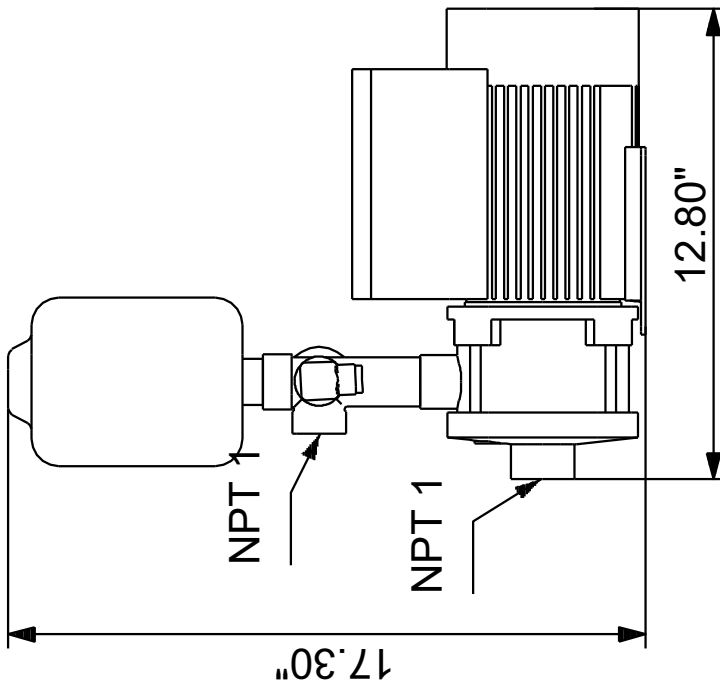
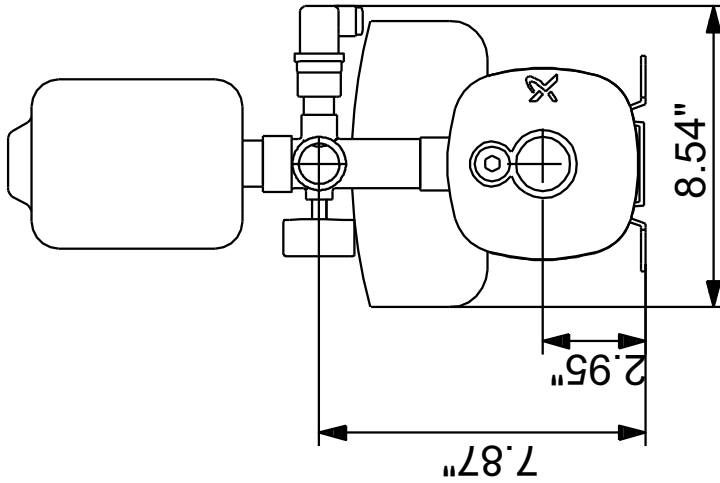
Description	Value
General information:	
Product name:	CMBE 1-44 I-X-C-B-D-E
Product No.:	98810910
EAN:	5712601689786
Technical:	
Pump speed on which pump data is based:	3780 rpm
Rated flow:	10.6 US gpm
Rated head:	97.77 ft
Impellers:	3
Primary shaft seal:	AQQE
Approvals and markings:	CE,CULUS
Curve tolerance:	ISO9906:2012 3B
Model:	A
Return valve:	YES
Start pressure:	Integrated Frequency converter
Materials:	
Pump housing:	Stainless steel
Pump housing:	DIN W.-Nr. 1.4301
Pump housing:	AISI 304
Impeller:	Stainless steel
Impeller:	DIN W.-Nr. 1.4301
Impeller:	AISI 304
Rubber:	EPDM
Installation:	
t max amb:	131 °F
Flange standard:	INTERNAL NPT THREAD
Pump inlet:	NPT 1
Pump outlet:	NPT 1
Liquid:	
Pumped liquid:	Water
Liquid temperature range:	32 .. 140 °F
Selected liquid temperature:	68 °F
Density:	62.29 lb/ft³
Electrical data:	
Rated power - P2:	1.01 HP
Main frequency:	50 / 60 Hz
Rated voltage:	1 x 115 V
Maximum current consumption:	8 A
p max system:	145.04 psi
Rated speed:	360-4000 rpm
Enclosure class (IEC 34-5):	IP55
Insulation class (IEC 85):	F
Type of cable plug:	US 5-15
Mains cable:	4.92 ft
Tank:	
Tank volume:	0.528 gal
Others:	
Net weight:	40.8 lb
Gross weight:	61.9 lb
Sales region:	Namreg
Config. file no:	98845992
Country of origin:	US
Custom tariff no.:	8413.70.2040



98810910 CMBE 1-44 I-X-C-B-D-E

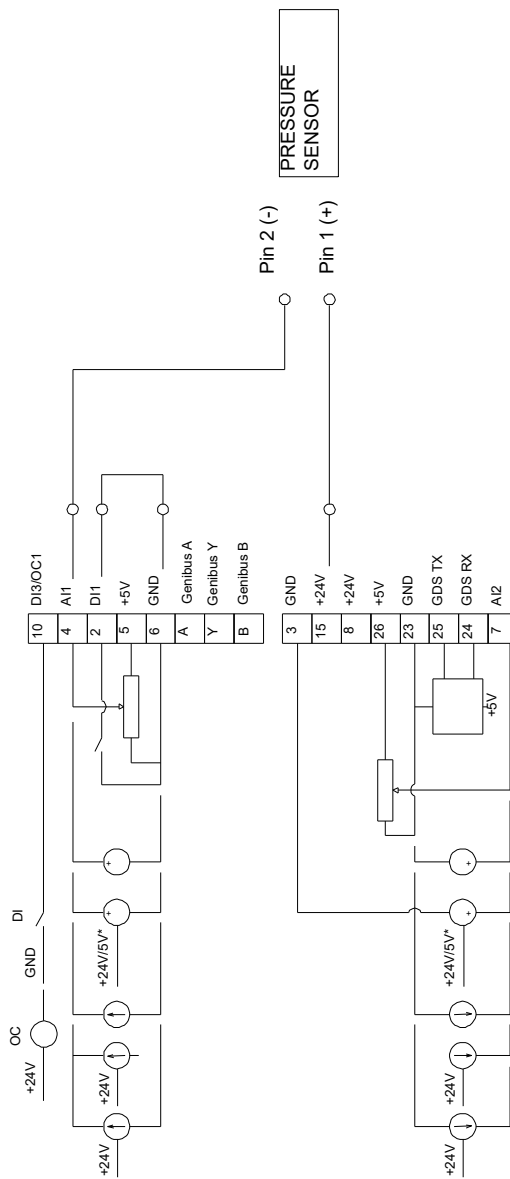
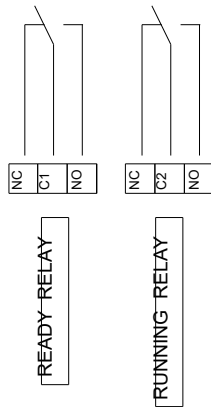
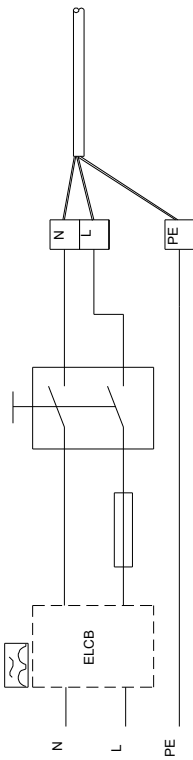
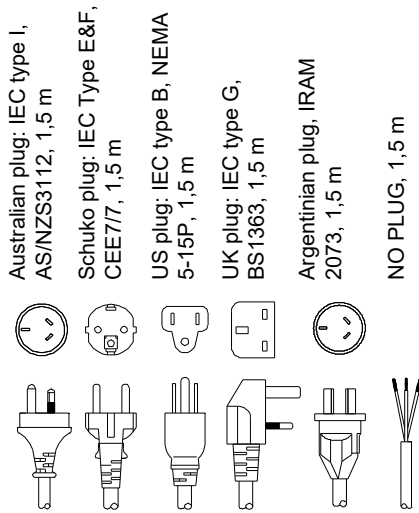


98810910 CMBE 1-44 I-X-C-B-D-E



Note! All units are in [in] unless otherwise stated.
Disclaimer: This simplified dimensional drawing does not show all details.

98810910 CMBE 1-44 I-X-C-B-D-E



All units are [in] unless otherwise presented.